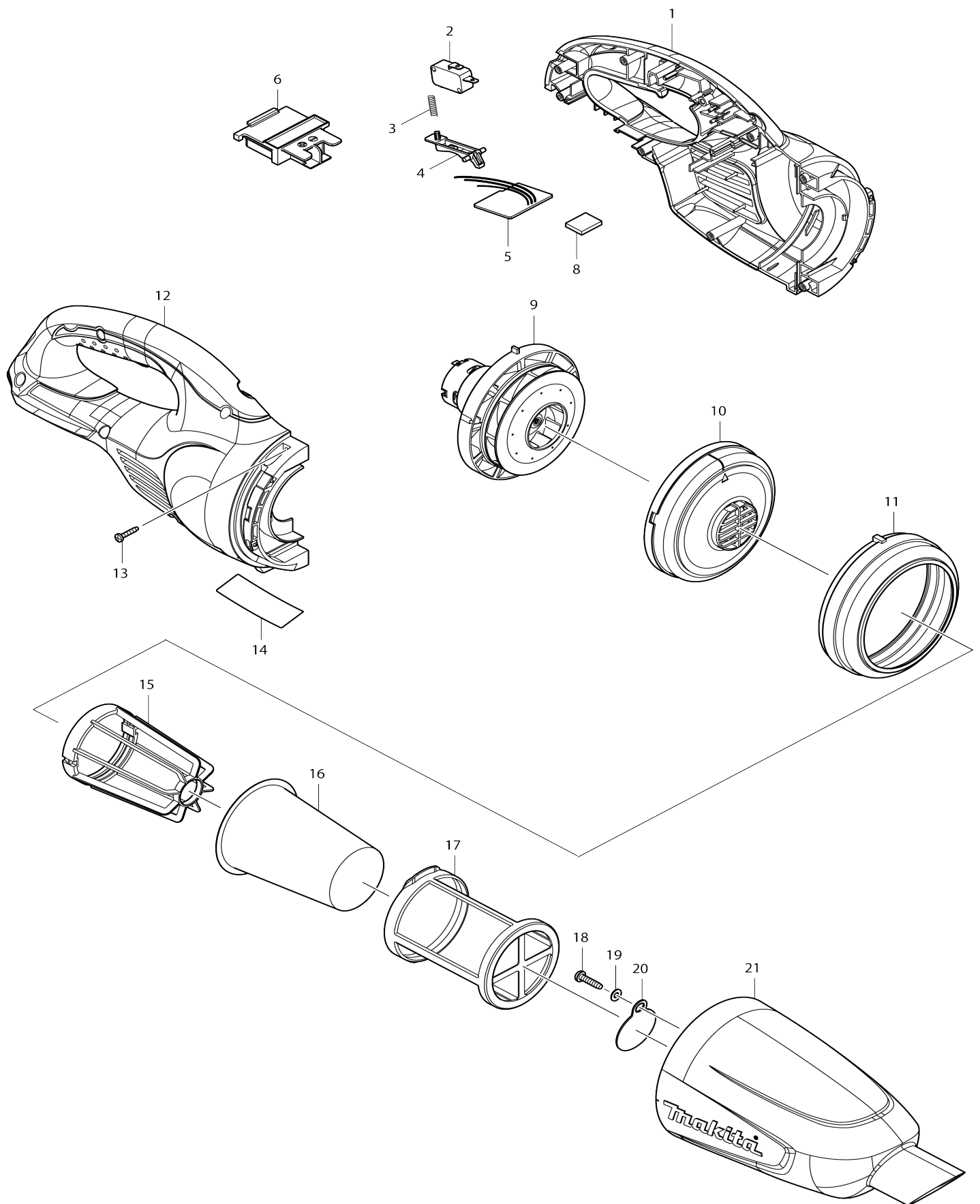


Model No.DCL180 CORDLESS CLEANER



Model No.DCL180 CORDLESS CLEANER

Item No.	Parts No.	Description	Interchangability	Q'ty	New/Old	Note1	Note2
001	187458-1	HOUSING SET		1			
C10	424209-4	SPONGE SHEET 50-50		2			
001		INC. 12					
001	183E54-3	HOUSING SET		1			
002	651891-8	SWITCH V-15-3A6		1	*		
002-1	651891-8	SWITCH V-15-3A6	O	1			
003	231473-8	COMPRESSION SPRING 4		1			
004	451227-9	SWITCH LEVER		1			
005	638935-1	CONTROLLER UNIT		1	*		
005-1	632F98-1	CONTROLLER UNIT	<	1			
C20	654086-2	RECEPTACLE		3			
C30	654199-9	RECEPTACLE		1	*		
C31	654208-4	RECEPTACLE	O	1			
006	643860-3	TERMINAL		1			
008	424248-4	SPONGE SHEET 15-25		1			
009	125867-6	MOTOR ASS'Y		1			
C10	452455-9	BASE		1			
C20	265199-0	+ PAN HEAD SCREW M3X8		2			
C30	240102-2	FAN 82		1			
010	416030-5	FAN COVER		1			
011	424320-2	RUBBER RING		1			
012	187458-1	HOUSING SET		1			
C10	424209-4	SPONGE SHEET 50-50		2			
012		INC. 1					
012	183E54-3	HOUSING SET		1			
013	266429-2	TAPPING SCREW 3X16		7	*		
013-1	266130-9	TAPPING SCREW BIND PT 3X16	O	7			
014	815F73-4	DCL180 NAME PLATE		1			
015	410237-5	STAY		1	*		
015-1	458467-0	STAY	<	1			
016	443060-3	FILTER		1			
017	451208-3	PRE-FILTER		1			
018	265995-6	TAPPING SCREW 4X18		1	*		
018-1	251530-6	TAPPING SCREW 4X18	S	1			
019	941051-3	FLAT WASHER 4		1	*		
020	424208-6	VALVE		1			
021	451235-0	CAPSULE		1			
021	456196-9	CAPSULE		1			
022	424308-2	SPONGE SHEET 50-36		1			
023	632H18-7	FUSE UNIT		1			
024	422268-2	SPONGE SHEET 57		1			
A01	122859-6	NOZZLE ASS'Y		1	*		
C10	451410-8	ROLLER		4	*		
C20	268208-4	PIN 3		4	*		
C30	424096-1	WIPER		1	*		
A01-1	123488-8	FLOOR T-NOZZLE 28 BLU	<	1			
C10	451410-8	ROLLER		4			

C20	268208-4	PIN 3		4		
C30	424096-1	WIPER		1	*	
C31	422963-4	WIPER	O	1		
A01-1	123539-7	FLOOR T-NOZZLE 28 BLA		1		
A02	451243-1	SASH NOZZLE 28 BLU		1	*	
A02	456586-6	SASH NOZZLE 28 BLK		1	*	
A02-1	413859-0	SASH NOZZLE	O	1		
A02-1	413809-5	SASH NOZZLE	O	1		
A03	451244-9	PIPE		1		
A03	456587-4	PIPE		1		
A04	451245-7	SASH NOZZLE HOLDER		1		
A04	456585-8	SASH NOZZLE HOLDER		1		
F02	191496-7	FLEXIBLE HOSE SET28(IVO)		1		
F11	198527-3	FLOOR/CARPET T-NOZZLE BLU		1		
F15	198529-9	FLOOR/CARPET T-NOZZLE BLK E U		1		
F16	198537-0	SHELF BRUSH SET28 IVO EU		1		
F18	198538-8	SHELF BRUSH SET28 BLU		1		
F20	198540-1	SHELF BRUSH SET28 BLK EU		1		
F23	198545-1	FLEXIBLE HOSE SET28(BLU)		1		
F25	198547-7	FLEXIBLE HOSE SET28(BLK)EU		1		
F27	198552-4	ROUND BRUSH SET 28 IVO		1		
F29	198553-2	ROUND BRUSH SET 28 BLU		1		
F31	198555-8	ROUND BRUSH SET 28 BLK EU		1		
F32-1	198560-5	TELESCOPIC PIPE SET 28 EU	O	1		
F37	198868-7	FLEXIBLE HOSE SET28(WHI)		1		
F39	198873-4	SHELF BRUSH SET28 WHI		1		
F41	198878-4	ROUND BRUSH SET 28 WHI		1		
F43	198915-4	FILTER SET		1		
F45	199038-1	SEAT NOZZLE SET 28 WHI		1		
F47	199039-9	SEAT NOZZLE SET 28 BLK		1		
F49	199041-2	SEAT NOZZLE SET 28 BLU		1		
F51	198919-6	LONG SASH NOZZLE SET 28 WHI		1		
F53	198992-6	LONG SASH NOZZLE SET 28 BLK		1		
F55	198990-0	LONG SASH NOZZLE SET 28 BLU		1		
F57	198751-8	PRE FILTER SET EU		1		
F59	198753-4	EASY SHAKE OFF FILTER SET		1		
F60	199491-1	CYCLONE ATTACHMENT SET		1		
F62	199439-3	CREVICE NOZZLE 415 SET		1		
F65	191D75-5	CYCLONE ATTACHMENT SET		1		
F67	191D80-2	STRAIGHT PIPE SET 320		1		
F69	199971-7	HOLDER SET		1		
F70	1910E7-3	FLEXIBLE HOSE SET		1		
F71	1910F3-8	CYCLONE ATTACHMENT SET		1		
F89	1910D4-2	CYCLONE UNIT SET		1		
F90	1910D3-4	CYCLONE UNIT SET		1		
F91	1910D5-0	CYCLONE UNIT SET		1		
F92	1911L1-0	CLEANER STAND SET		1		
F94	1915A8-3	FILTER H KIT SET		1		
C10	4131K6-6	PRE-FILTER		1		
C20	4131K7-4	FILTER H		1		

Please state Parts No. when your order.

Print Date 30/12/2024