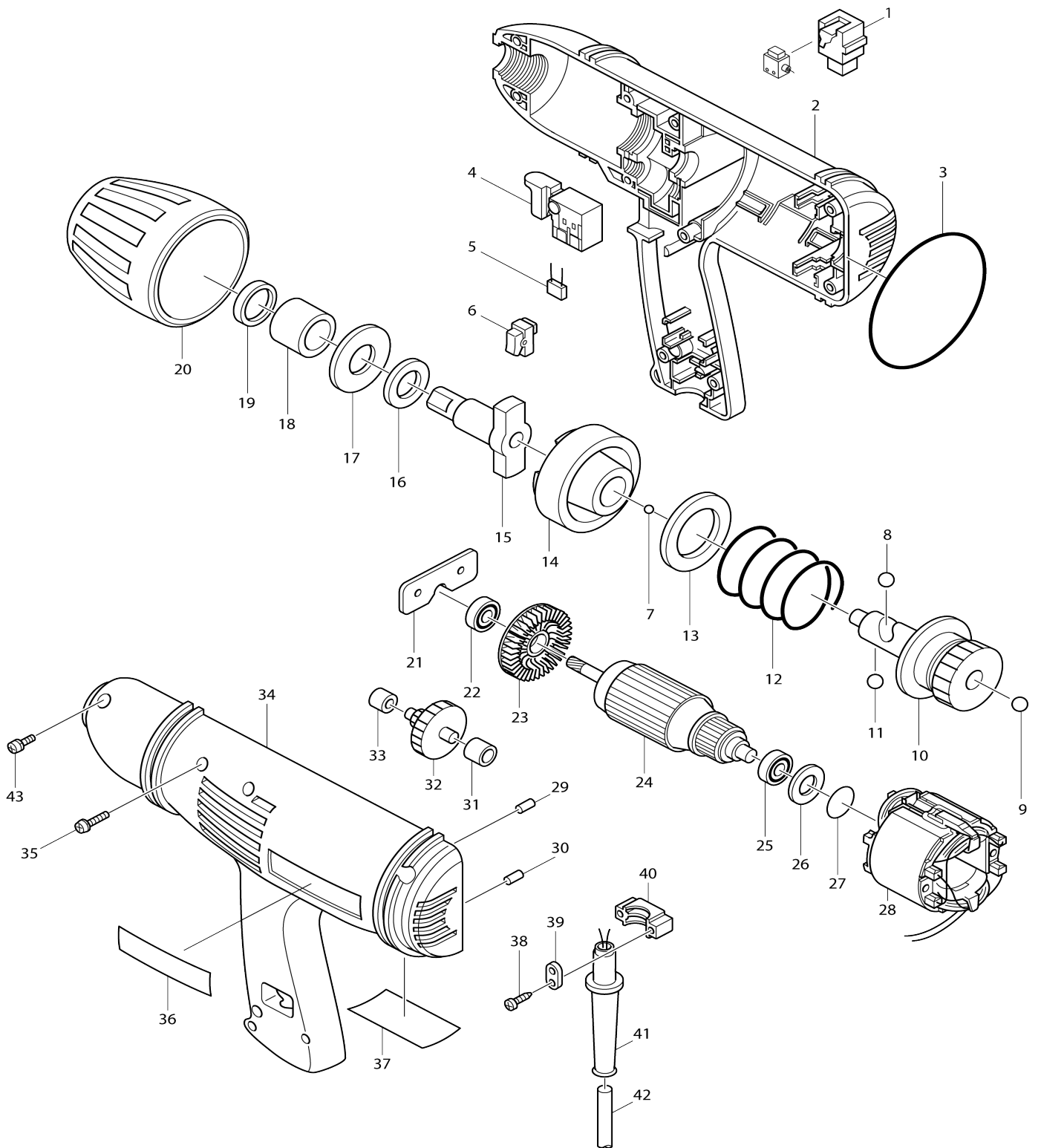


Model No.6905H IMPACT WRENCH



Model No.6905H IMPACT WRENCH

Item No.	Parts No.	Description	Interchangability	Q'ty	New/Old	Note1	Note2
001A1	191950-1	CARBON BRUSH CB-415		1	*		
001A2	195012-7	CARBON BRUSH SET CB-415	O	1			
002	182471-4	HOUSING SET		1			
002		INC. 29,30,34					
003	213718-6	O RING 70		1			
004A_	651234-4	SWITCH SGE206C		1	*		
004A1	651234-4	SWITCH SGE206C	O	1			
005A_	645006-7	NOISE SUPPRESSOR		1			
006	651556-2	SWITCH VLX11		1			
007	216008-6	STEEL BALL 4		31			
008	216007-8	STEEL BALL 6.4		1			
009	216007-8	STEEL BALL 6.4		1			
010	153199-1	SPINDLE COMPLETE		1			
011	216007-8	STEEL BALL 6.4		1			
012	231493-2	COMPRESSION SPRING 34		1			
013	267079-6	FLAT WASHER 34		1			
014	322391-2	HAMMER		1			
015	322503-7	ANVIL		1	*		
015-1	324357-8	ANVIL	<	1	*		
015-2	327A24-0	ANVIL	<	1			
016	253937-2	FLAT WASHER 18		1			
017	261089-5	RUBBER WASHER 18		1			
018	257637-6	SLEEVE 18		1			
019	213257-6	OIL SEAL 18		1			
020	421375-8	BUMPER		1	*		
020-1	421747-7	BUMPER	O	1			
021	162149-5	CUSHION PLATE		1			
022	211031-6	BALL BEARING 608LLB		1			
023	241850-6	FAN 60		1			
024C_	516053-4	ARMATURE ASS'Y 220V		1			
024C_		INC. 22,23,25					
025	211026-9	BALL BEARING 627LLB		1	*		
025-1	210025-8	BALL BEARING 627LLB	O	1			
026	253192-6	FLAT WASHER 14		1			
027	213262-3	O RING 18		1			
028C_	634108-4	FIELD 220V		1	*		
028C1	634178-3	FIELD 220V	X	1			
029	263002-9	RUBBER PIN 4		1			
030	263002-9	RUBBER PIN 4		1			
031	214012-9	PLANE BEARING 6		1			
032	226100-0	GEAR COMPLETE 16-38		1			
033	214022-6	PLANE BEARING 8		1			
034	182471-4	HOUSING SET		1			
034		INC. 2,29,30					
035	911148-2	PAN HEAD SCREW M4X25		10	*		
035-1	911148-2	PAN HEAD SCREW M4X25	O	8	*		
035-2	911546-0	PAN HEAD SCREW M4X25	X	8			

036	819003-1	MAKITA LABEL		1		
037	856688-2	NAME PLATE 6905H		1		
038	265941-9	TAPPING SCREW BT 4X18		2	*	
038-1	265995-6	TAPPING SCREW 4X18	O	2		
039C_	687063-9	CORD CLAMP		1	*	
039C1	687052-4	STRAIN RELIEF	X	1		
040	687051-6	STRAIN RELIEF		1		
041-1	682516-3	CORD GUARD 9.3-85		1	*	
041-2	682504-0	CORD GUARD 10-85	O	1		
042E1	665865-3	POWER SUPPLY CORD 1.0-2-2.5		1		
043-1	911546-0	PAN HEAD SCREW M4X25		2		
A01	133213-9	SOCKET 19-40 ASS'Y		1	*	
A01		INC. A05,A06			*	
A01-1	134831-6	SOCKET 19-38 ASS'Y	O	1	*	
A01-1		INC. A05-2,A07			*	
A01-2	134831-6	SOCKET 19-38 ASS'Y		1		
C10	422B60-8	RUBBER RING21		1	*	
C11	B-54564	ORING 3PC SET 1/2" SQ 18-19M M	O	1		
C20	256A75-5	PIN 4		1	*	
C21	B-54601	PIN 3PC SET 1/2" SQ 18-19MM	O	1		
A02	133216-3	SOCKET 22-42 ASS'Y		1	*	
A02		INC. A05,A06			*	
A02-1	134851-0	SOCKET 22-38 ASS'Y	O	1		
A02-1		INC. A05-2,A06-1				
A03	133182-4	SOCKET 24-43.5 ASS'Y		1	*	
A03		INC. A05,A06			*	
A03-1	134841-3	SOCKET 24-45 ASS'Y	O	1	*	
A03-1		INC. A05-2,A06-1			*	
A03-2	137071-5	SOCKET 24-38 ASS'Y		1		
C10	422B61-6	RUBBER RING23		1	*	
C11	B-54570	ORING 3PC SET 1/2" SQ 20-32M M	O	1		
C20	256A76-3	PIN 4		1	*	
C21	B-54617	PIN 3PC SET 1/2" SQ 20-32MM	O	1		
A04	182494-2	STEEL CARRYING CASE		1	*	
C10	835241-7	INNER CASE		1	*	
A04-1	824698-7	PLASTIC CARRYING CASE	O	1		
C10	182935-8	SLIDE LATCH (R.L) SET		1		
A05	256036-9	PIN 4		3	*	
A05-1	256279-3	PIN 3	X	1	*	
A05-2	268057-9	PIN 4	O	1		
A06	213405-7	O RING 26		3	*	
A06-1	213399-6	O-RING 25	X	1		
A07	213398-8	O RING 24		1	*	
A07-1	B-54570	ORING 3PC SET 1/2" SQ 20-32M M	O	1		
E01	231907-1	RING SPRING 10		1		
E07-1	645253-0	NOISE SUPPRESSOR		1		
F38	195870-1	DRILL BIT REMOVER SET		1		

Please state Parts No. when your order.

Print Date 17/10/2024