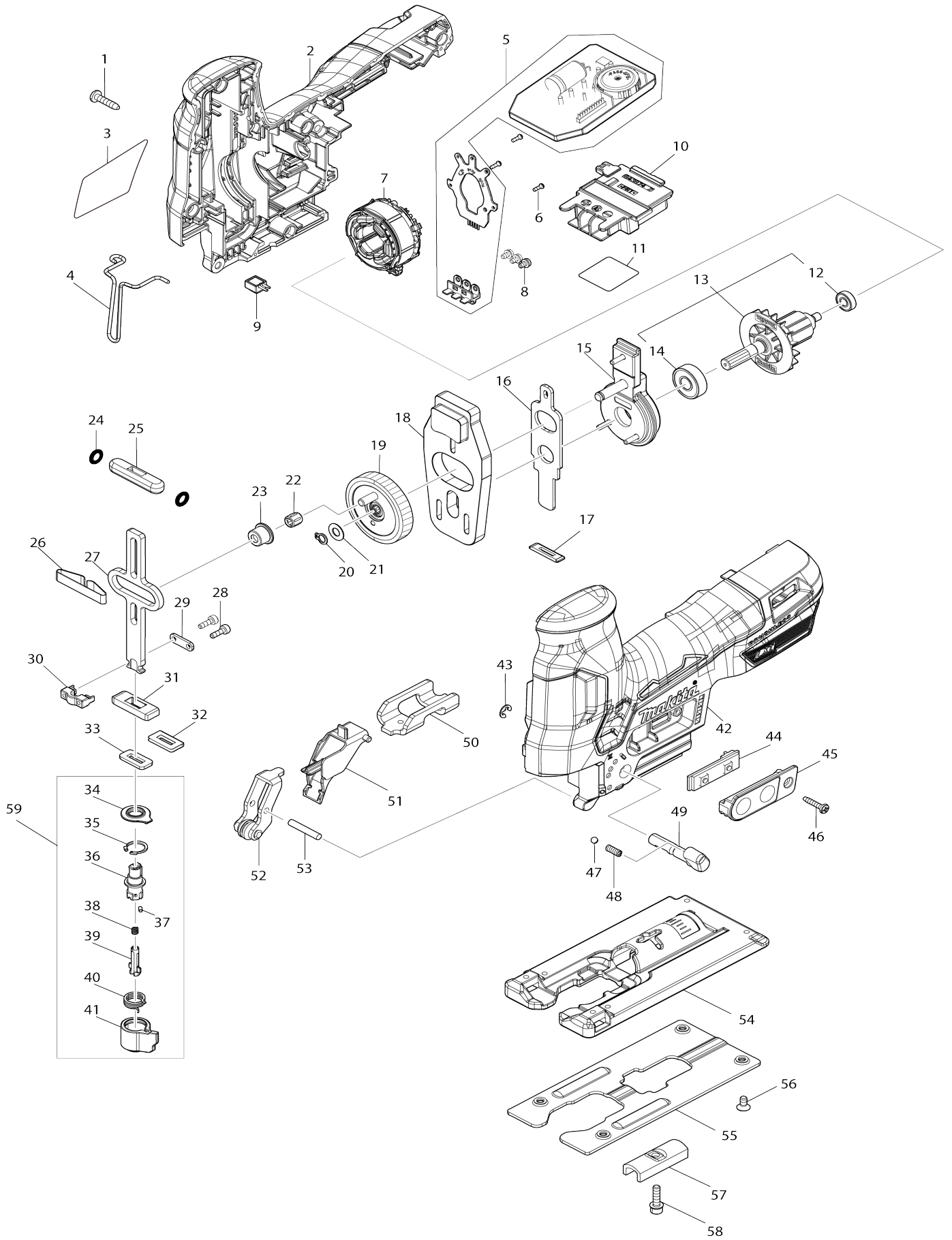


Model No. DJV185 CORDLESS JIG SAW



Model No.DJV185 CORDLESS JIG SAW

Item No.	Parts No.	Description	Interchangability	Q'ty	New/Old	Note1	Note2
001	266326-2	TAPPING SCREW 4X18		9			
002	183X94-5	HOUSING SET		1			
C10	263005-3	RUBBER PIN 6		2			
002		INC. 42					
003	8589C8-1	DJV185 NAME PLATE		1			
004	323748-0	SAFETY WIRE		1			
005	620L44-2	CONTROLLER		1			
006	266490-9	TAPPING SCREW PT 2X6		3			
007	629B14-8	STATOR		1			
008	652069-6	FLAT HEAD SCREW M3X6		3			
009	620712-5	LED CIRCUIT		1			
010	643874-2	TERMINAL		1			
011	8589D9-6	DJV185 SERIAL NO. LABEL		1			
012	210039-7	BALL BEARING 695DDW		1			
013	519824-8	ROTOR ASSEMBLY		1			
013		INC. 12,14					
014	210005-4	BALL BEARING 608DDW		1			
015	144820-3	BEARING CASE COMPLETE		1			
016	347249-4	PUSH PLATE		1			
017	416703-0	DUST SEAL		1			
018	310812-6	BALANCE PLATE		1			
019	141H68-6	GEAR COMPLETE		1			
020	961002-0	RETAINING RING S-6		1			
021	253715-0	FLAT WASHER 6		1			
022	212265-4	NEEDLE CAGE 508		1			
023	257872-6	SHOULDER SLEEVE 8		1			
024	213038-8	O RING 5		2			
025	313082-6	SLIDER GUIDE		1			
026	232183-0	LEAF SPRING		1			
027	347966-6	SLIDER		1			
028	266177-3	HEX. SOCKET HEAD BOLT M3X10		2			
029	347247-8	PLATE		1			
030	310811-8	BLADE CLAMP		1			
031	313086-8	SLIDER SUPPORT		1			
032	344686-3	SEAL PLATE		1			
033	423307-1	POLYURETHANE SPONGE SEAL		1			
034	424437-1	DUST COVER		1			
035	962063-3	RETAINING RING R-13		1			
036	310810-0	BLADE GUIDE		1			
037	256528-8	PIN 2		1			
038	233314-4	COMPRESSION SPRING 4		1			
039	310485-5	LOCK PIN		1			
040	233591-8	TORSION SPRING 10		1			
041	452850-3	INSERT HOLDER		1			
042	183X94-5	HOUSING SET		1			
C10	263005-3	RUBBER PIN 6		2			
042		INC. 2					

043	961011-9	STOP RING E-4		1		
044	620L34-5	SWITCH UNIT		1		
045	144628-5	SWITCH PLATE COMPLETE		1		
046	266130-9	TAPPING SCREW BIND PT 3X16		1		
047	216008-6	STEEL BALL 4		1		
048	233151-6	COMPRESSION SPRING 4		1		
049	271441-9	LEVER 19		1	*	
049-1	271486-7	LEVER 19	<	1		
050	347251-7	HOLDER		1		
051	457866-3	RETAINER GUIDE		1		
052	144629-3	RETAINER COMPLETE		1		
053	256206-0	PIN 4		1		
054	312C90-2	BASE		1		
055	345441-6	BASE PLATE		1		
056	912107-9	COUNTERSUNK HEAD SCREW M4 X8		4		
057	344685-5	CLAMP PLATE		1		
058	922128-3	HEX. SOCKET HEAD BOLT M4X16		1		
059	135941-2	BLADE GUIDE ASS'Y		1		
059		INC. 34-41				
A01	783201-2	HEX. WRENCH 3		1		
A02	413F05-1	DUST NOZZLE		1		
A03	457867-1	COVER PLATE		1		
A04	458191-5	DUST COVER		1		
A05	A-85737	JIGSAW BLADE NO.B22		1		
A06	A-85628	JIGSAW BLADE NO.B10		1		
A07	A-85793	JIGSAW BLADE NO.BR13		1		
F02	194416-0	SHEET 10000 SET		1		
F03	192557-6	ANTI-SPLITTING DEVICE		1		
F05	194367-7	GUIDE RAIL 3000 SET		1		
F06	194368-5	GUIDE RAIL 1400 SET		1		
F07	194925-9	GUIDE RAIL 1900 SET		1		
F08	198704-7	GUIDE RAIL ADAPTER SET		1		
F09	199140-0	GUIDE RAIL 1000 SET		1		
F10	199141-8	GUIDE RAIL 1500 SET		1		
F14	194417-8	RUBBER SHEET 10000 SET		1		
F15	194418-6	POSITION SHEET 1400 SET		1		
F16	194910-2	POSITION SHEET 1900 SET		1		

Please state Parts No. when your order.

Print Date 17/10/2024