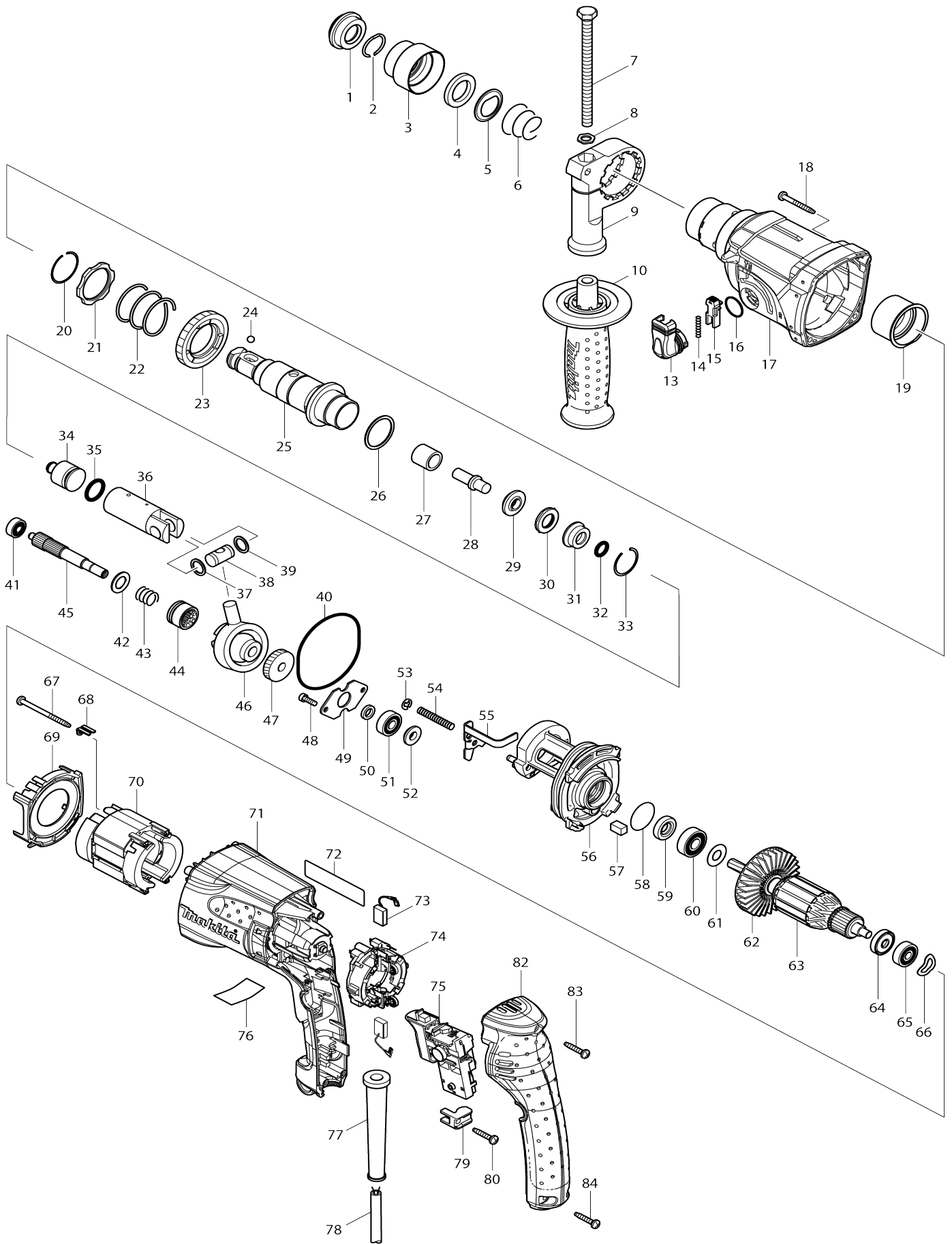


Model No.HR2230 ROTARY HAMMER 22MM



Model No.HR2230 ROTARY HAMMER 22MM

Item No.	Parts No.	Description	Interchangability	Q'ty	New/Old	Note1	Note2
001	286263-4	CAP 35		1			
002	233940-9	RING SPRING 19		1			
003	417629-9	CHUCK COVER		1			
004	257241-1	RING 21		1			
005	345187-4	GUIDE WASHER		1			
006	233916-6	CONICAL COMP. SPRING 21-29		1			
007	921923-8	HEX. BOLT M8X120		1			
008	345280-4	HEX. WASHER		1			
009	417630-4	GRIP BASE		1			
010	158057-6	GRIP 36 COMPLETE		1			
C10	931402-8	HEX. NUT M8		1			
013	162244-1	CHANGE LEVER		1			
014	233459-8	COMPRESSION SPRING 3		1			
015	419192-8	LOCK BUTTON		1			
016	213278-8	O RING 17		1			
017	158305-3	GEAR HOUSING COMPLETE		1			
C10	213965-9	OIL SEAL 25		1	*		
C11	213345-9	OIL SEAL 25	O	1			
018	266351-3	TAPPING SCREW 4X35		4			
019	153290-5	NEEDLE BEARING COMPLETE		1			
020	233918-2	RING SPRING 28		1			
021	267805-3	WASHER 30		1			
022	233328-3	COMPRESSION SPRING 31		1			
023	227019-6	SPUR GEAR 51		1			
024	216022-2	STEEL BALL 7.0		1			
025	158306-1	TOOL HOLDER COMPLETE		1	*		
025-1	158575-4	TOOL HOLDER COMPLETE	<	1			
026	267229-3	FLAT WASHER 28		1			
027	331769-8	SLEEVE 9		1			
028	324669-9	IMPACT BOLT		1			
029	324402-9	RING 10		1			
030	421955-0	CUSHION RING 13		1			
031	324216-6	O RING CASE		1			
032	213073-6	O RING 9		1			
033	233917-4	RING SPRING 28		1			
034	324214-0	STRIKER		1			
035	213227-5	O RING 16		1			
036	317517-9	PISTON CYLINDER		1			
037	267104-3	FLAT WASHER 12		1			
038	324215-8	PISTON JOINT		1			
039	267104-3	FLAT WASHER 12		1			
040	213727-5	O-RING 63		1			
041	211012-0	BALL BEARING 606ZZ		1	*		
041-1	210028-2	BALL BEARING 606ZZ	O	1			
042	267212-0	FLAT WASHER 12		1			
043	233347-9	COMPRESSION SPRING 12		1			
044	331734-7	CLUTCH CAM		1	*		

044-1	313483-8	CLUTCH CAM	O	1		
045	227182-5	SPUR GEAR 10		1		
046	219014-0	SWASH BEARING 10		1	*	
046-1	219021-3	SWASH BEARING 10	O	1		
047	226656-3	HELICAL GEAR 26		1		
048	266273-7	HEX. SOCKET HEAD BOLT M4X12		2		
049	345179-3	BEARING RETAINER		1		
050	267234-0	FLAT WASHER 8		1		
051	211032-4	BALL BEARING 608ZZ		1	*	
051-1	210029-0	BALL BEARING 608ZZ	O	1		
052	324212-4	RING 8		1		
053	961011-9	STOP RING E-4		1		
054	233388-5	COMPRESSION SPRING 5		1		
055	345770-7	CHANGE PLATE		1	*	
055-1	346035-0	CHANGE PLATE	<	1		
056	158308-7	INNER HOUSING COMPLETE		1	*	
056-1	141575-1	INNER HOUSING COMPLETE	S	1		
057	443126-9	FELT		1	*	
058	213407-3	O RING 26		1		
059	213077-8	OIL SEAL 10		1	*	
059-1	213A72-4	OIL SEAL 10	O	1		
060	210059-1	BALL BEARING 6000DDW		1		
061	267213-8	FLAT WASHER 10		1		
062	240092-9	FAN 64		1		
063	515284-2	ARMATURE ASS'Y 240V		1		
D10		INC. 60-62,64,65				
064	681652-2	INSULATION WASHER		1	*	
064-1	681670-0	INSULATION WASHER	<	1		
065	210023-2	BALL BEARING 627DDW		1		
066	267804-5	WAVE WASHER 15		1		
067	266415-3	TAPPING SCREW 4X55		2		
068	344871-8	RETAINER		2		
069	419716-0	BAFFLE PLATE		1		
070	626574-9	FIELD 240V		1	*	
070-1	626574-9	FIELD 240V	O	1		
071	419720-9	MOTOR HOUSING		1		
072	863508-3	HR2230 NAME PLATE		1		
073	194074-2	CARBON BRUSH CB-325		1		
074	638500-6	BRUSH HOLDER UNIT		1		
075	650588-6	SWITCH C3VA-2L-C		1		
076	814954-3	HR2230 SERIAL NO.LABEL		1		
077	682566-8	CORD GUARD 10		1		
078	665890-4	POWER SUPPLY CORD 1.0-2-4.0		1		
079	687260-7	STRAIN RELIEF		1		
080	266324-6	TAPPING SCREW 4X22		1		
082	419717-8	HANDLE COVER		1		
083	266324-6	TAPPING SCREW 4X22		1		
084	266324-6	TAPPING SCREW 4X22		2		
085	819358-4	CLEAR LABEL		1	*	
085-1	892830-1	CLEAR LABEL	<	1	*	
086	819364-9	CLEAR LABEL		1	*	
086-1	892829-6	CLEAR LABEL		1		

A01	324219-0	DEPTH GAUGE		1			
A02	824799-1	PLASTIC CARRYING CASE		1			
C10	324319-6	SHAFT		1			
C20	417724-5	LATCH		2			
C30	419216-0	HANDLE		1			
A03	805425-1	HR2230 PLASTIC CASE LABEL		1	*		
B01	195263-2	HAMMER SERVICE KIT SET		1			
C10	195127-0	OIL VESSEL SET		2			
D10		INC. 1,24,30,32,33,35,73					
F27	194583-1	GRIP BASE SET		1			
G12	1914X3-8	DUST EXTRACTION PAD SET		1			

Please state Parts No. when your order.

Print Date 09/16/2024