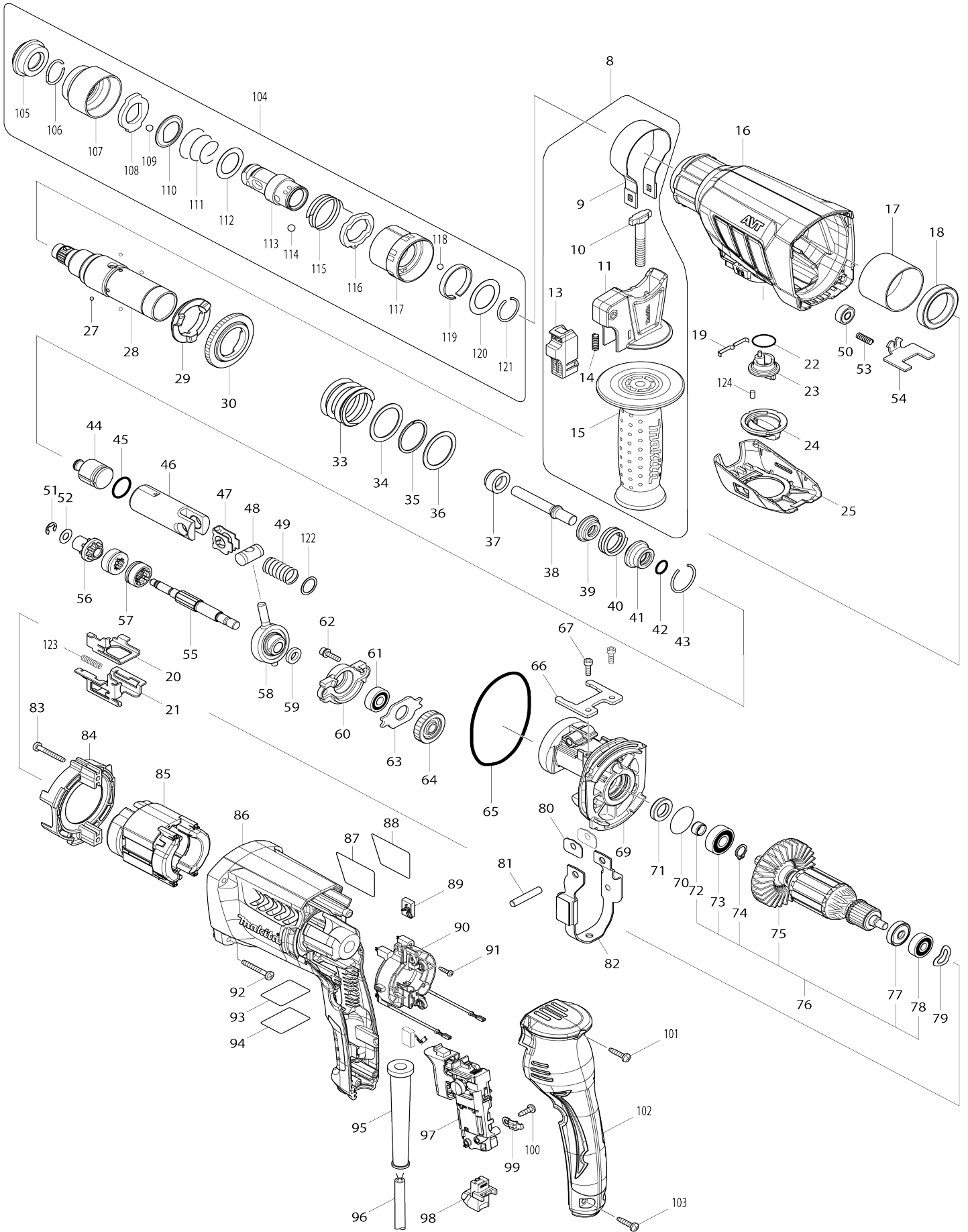


Model No.HR2631FT 26MM COMBINATION HAMMER



Model No.HR2631FT 26MM COMBINATION HAMMER

Item No.	Parts No.	Description	Interchangability	Q'ty	New/Old	Note1	Note2
008	122878-2	GRIP ASSEMBLY		1	*		
008		INC. 9-11,13-15			*		
008-1	127293-5	GRIP ASSEMBLY	O	1	*		
008-1		INC. 9-11,13-15			*		
008-2	122878-2	GRIP ASSEMBLY	O	1			
008-2		INC. 9-11,13-15					
009	346181-9	GRIP SPRING 50		1			
010	266349-0	SQUARE BOLT M8X50		1			
011	451539-0	GRIP BASE		1			
013	141765-6	LOCK BUTTON COMPLETE		1			
014	233360-7	COMPRESSION SPRING 4		1			
015	154935-8	GRIP 36 COMPLETE		1			
016	142970-8	GEAR HOUSING COMPLETE		1			
C10	213636-8	OIL SEAL 25		1			
017	331890-3	CUP SLEEVE		1			
018	211294-4	BALL BEARING 6806LLU		1			
019	232286-0	LEAF SPRING		1			
020	346832-4	CHANGE PLATE A		1			
021	346833-2	CHANGE PLATE B		1			
022	213278-8	O RING 17		1			
023	455392-6	CHANGE LEVER		1			
024	455394-2	CHANGE LEVER CAP		1			
025	455391-8	CHANGE LEVER COVER		1			
027	216019-1	STEEL BALL 3		4	*		
027-1	216061-2	STEEL BALL 3	O	4			
028	140266-1	TOOL HOLDERGUIDE COMPLETE		1			
C10	213344-1	OIL SEAL 9		1			
029	332139-4	DRIVING FLANGE		1			
030	227360-7	SPUR GEAR 51		1			
033	234148-8	COMPRESSION SPRING 31		1			
034	267153-0	FLAT WASHER 30		1			
035	257932-4	SPIRO LOCK WASHER 30		1			
036	267153-0	FLAT WASHER 30		1			
037	325783-4	SLEEVE 9B		1			
038	325791-5	IMPACT BOLT B		1			
039	325792-3	WASHER 10		1			
040	234149-6	COMPRESSION SPRING 20		1			
041	325793-1	O-RING CASE B		1			
042	213073-6	O RING 9		1			
043	233979-2	RING SPRING 28		1			
044	325784-2	STRIKER		1			
045	213258-4	O RING 17.5		1			
046	310345-1	PISTON CYLINDER		1			
047	346036-8	GUIDE PLATE		1			
048	324215-8	PISTON JOINT		1			
049	234098-7	COMPRESSION SPRING 14		1			
050	210028-2	BALL BEARING 606ZZ		1			

051	257336-0	STOP RING EXT U-6		1		
052	253186-1	FLAT WASHER 7		1		
053	233360-7	COMPRESSION SPRING 4		1		
054	346831-6	LOCK PLATE		1		
055	326448-1	CAM SHAFT		1		
056	227359-2	SPUR GEAR 10		1		
057	332125-5	CLUTCH CAM		2	*	
057-1	310678-4	CLUTCH CAM	O	2		
058	219023-9	SWASH BEARING 10		1		
059	257321-3	RING 8		1		
060	310344-3	BEARING BOX		1		
061	211032-4	BALL BEARING 608ZZ		1	*	
061-1	210223-4	BALL BEARING 608ZZ	O	1		
062	266437-3	HEX. SOCKET HEAD BOLT M4X16		2		
063	285735-6	BEARING RETAINER		1		
064	227719-8	HELICAL GEAR 26		1		
065	213728-3	O-RING 68		1		
066	346222-1	PLATE		1		
067	265353-6	HEX. SOCKET HEAD BOLT M4X12		2		
069	141573-5	INNER HOUSING COMPLETE		1		
C10	443153-6	FELT		1		
070	213407-3	O RING 26		1		
071	213678-2	OIL SEAL 12		1		
072	262569-4	SLEEVE 9		1	*	
072-1	262207-8	SLEEVE 9	O	1		
073	211097-6	BALL BEARING 6000LLB		1		
074	961006-2	RETAINING RING S-10		1		
075	240121-8	FAN 65		1		
076	515359-7	ARMATURE ASSEMBLY 240V		1		
076		INC. 72-75,77,78				
077	681652-2	INSULATION WASHER		1		
078	210023-2	BALL BEARING 627DDW		1		
079	267804-5	WAVE WASHER 15		1		
080	346180-1	WEIGHT HOLDER GUIDE		2		
081	256246-8	PIN 6		1		
082	165593-5	COUNTER WEIGHT		1		
083	266361-0	TAPPING SCREW 4X30		2	*	
083-1	265B70-0	TAPPING SCREW 4X30	O	2		
084	451527-7	BAFFLE PLATE		1		
085	626634-7	FIELD 240V		1	*	
085-1	626634-7	FIELD 240V	O	1		
086	451535-8	MOTOR HOUSING		1		
087	850L76-7	HR2631FT NAME PLATE		1		
088	819390-8	CLEAR LABEL		1	*	
088-1	816R90-9	CLEAR LABEL	O	1	*	
089	194074-2	CARBON BRUSH CB-325		1		
090	638655-7	BRUSH HOLDER UNIT		1		
091	266556-5	TAPPING SCREW 3X12		2		
092	266361-0	TAPPING SCREW 4X30		4	*	
092-1	265B70-0	TAPPING SCREW 4X30	O	4		
093	850L81-4	HR2631FT SERIAL NO. LABEL		1		
094	819389-3	CLEAR LABEL		1	*	

094-1	816R89-4	CLEAR LABEL	O	1	*		
095	682566-8	CORD GUARD 10		1			
096	665890-4	POWER SUPPLY CORD 1.0-2-4.0		1			
097	650625-6	SWITCH		1	*		
097-1	651090-2	SWITCH TG853TB-3	O	1			
098	631937-6	LIGHT CIRCUIT		1			
099	687682-1	STRAIN RELIEF		1			
100	266385-6	TAPPING SCREW 4X14		1	*		
100-1	265B74-2	TAPPING SCREW 4X14	O	1			
101	266326-2	TAPPING SCREW 4X18		1	*		
101-1	265B67-9	TAPPING SCREW 4X18	O	1			
102	451528-5	HANDLE COVER		1			
103	266326-2	TAPPING SCREW 4X18		2	*		
103-1	265B67-9	TAPPING SCREW 4X18	O	2			
104	194080-7	TOOL HOLDER SET		1			
104		INC. 105-121					
105	286263-4	CAP 35		1			
106	233940-9	RING SPRING 19		1			
107	418217-5	CHUCK COVER		1			
108	345333-9	STOPPER		1			
109	216022-2	STEEL BALL 7.0		1			
110	345187-4	GUIDE WASHER		1			
111	233916-6	CONICAL COMP. SPRING 21-29		1			
112	267279-8	FLAT WASHER 21		1			
113	324355-2	TOOL HOLDER		1			
114	216013-3	STEEL BALL 6		2	*		
114-1	216062-0	STEEL BALL 6	O	2			
115	231669-1	TORSION SPRING 31		1			
116	345334-7	CHANGE RING		1			
117	418218-3	CHANGE COVER		1			
118	216018-3	STEEL BALL 5.0		1			
119	345335-5	LEAF SPRING		1			
120	267270-6	FLAT WASHER 24		1			
121	233924-7	RING SPRING 21		1			
122	267447-3	FLAT WASHER 14		1			
123	234343-0	COMPRESSION SPRING 5		1			
124	263005-3	RUBBER PIN 6		1			
A01	194079-2	DRILL CHUCK SET		1	*		
A01-1	194079-2	DRILL CHUCK SET	<	1	*		
A01-2	194079-2	DRILL CHUCK SET	O	1			
A02	331886-4	DEPTH GAUGE		1			
A03	821550-0	CONNECTOR PLASTIC CASE (TYP E2)		1			
C10	453974-8	LATCH		4			
A04	805556-0	HR2631FTJ PLASTIC CASE LABEL		2	*		
A04-1	816V52-1	HR2631FTJ PLASTIC CASE LABEL	X	2			
A05	805555-2	HR2631FTJ INDICATION LABEL		1	*		
A05-1	816V51-3	HR2631FTJ INDICATION LABEL	O	1			
A06	837914-8	INNER TRAY		1			
B01	195108-4	HAMMER SERVICE KIT		1			
C10	195127-0	OIL VESSEL SET		2			
B01		INC. 42,43,45,89,105,109					

F34	195127-0	OIL VESSEL SET		1			
G12	1914X3-8	DUST EXTRACTION PAD SET		1			

Please state Parts No. when your order.

Print Date 12/02/2024