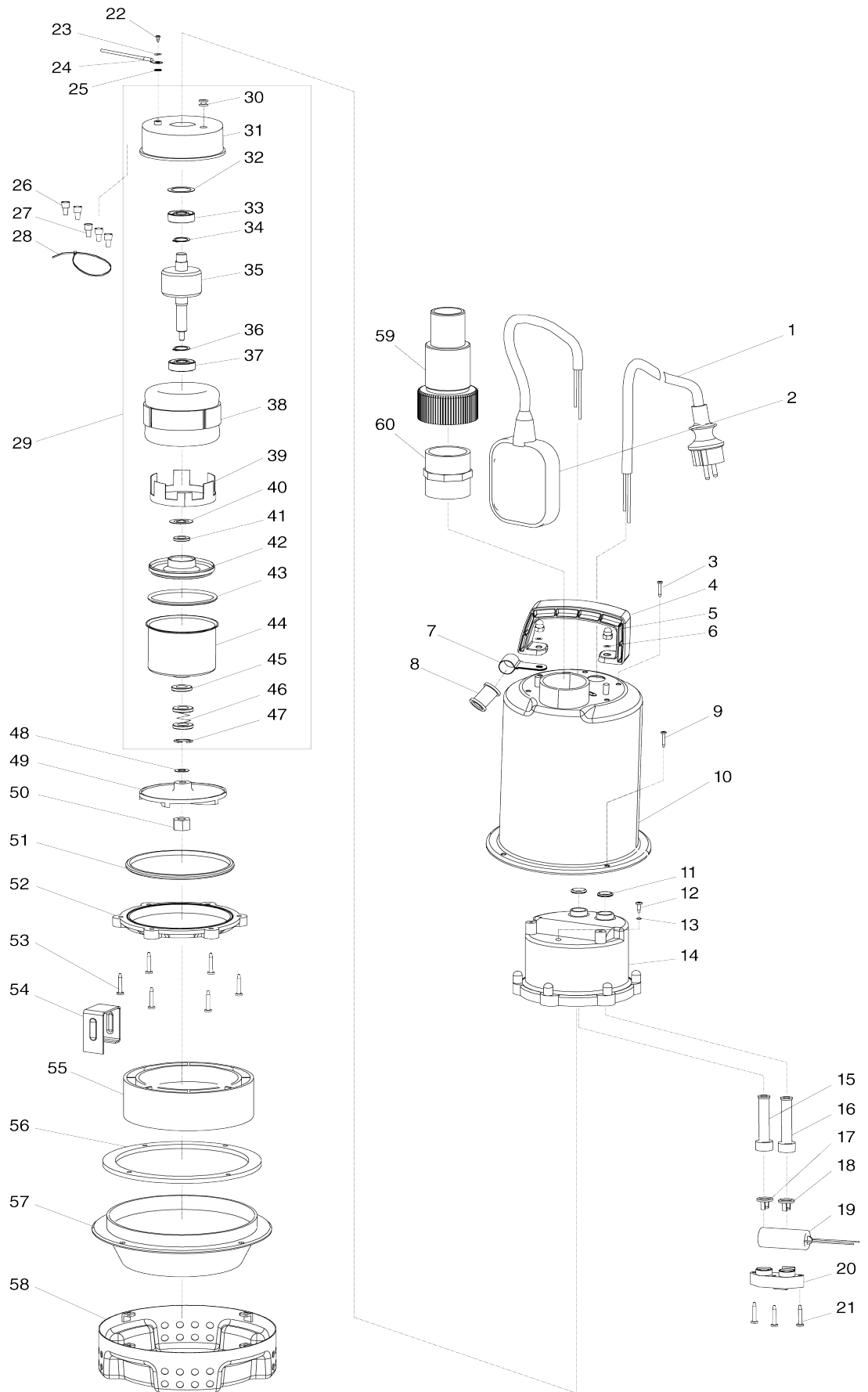


# Model No. PF0403 SUBMERSIBLE PUMP



Model No.PF0403 SUBMERSIBLE PUMP

Item No.	Parts No.	Description	Interchangability	Q'ty	New/Old	Note1	Note2
C10	181490-7	HAMMER GREASE 30G		2	*		
C11	1914C5-7	GREASE SET	O	2			
D10		INC. 1,2,5,7,22,26,27,29,31,					
001	609025434	POWER SUPPLY CORD 0.75-3-10		1	*		
001-1	JH00000122	CORD H05RN-F 0.75-3-10 EU	<	1			
002	609026209	FLOAT SWITCH BLUE		1	*		
002-1	JH00000126	FLOAT SWITCH BLUE	<	1			
003	609026213	TAPPING SCREW 4.2X13 INOX		5	*		
003-1	JH00000077	Y HEAD TAPPING SCREW ST4.5X13	<	5			
004	609024798	HANDLE BLUE		1			
005	609024637	HEX. CAP NUT M5 INOX		2			
006	609024638	FLAT WASHER 5 INOX		2			
007	609024650	CORD CLAMP INOX		1			
008	609026214	CORD GUARD		1			
009	609024639	+ PAN HEAD SCREW M4X10 INOX		4			
010	609024640	UPPER HOUSING INOX		1			
011	609024641	O-RING 15		2	*		
011-1	JH00000117	O-RING 15	<	2			
012	JH00000002	TAPPING SCREW		1			
013	JH00000003	O-RING		1	*		
013-1	JH00000125	O-RING	O	1			
014	609024642	WATER PROOF INNER HOUSING		1			
015	609024588	CORD GUARD 8.5		1	*		
015-1	JH00000110	CORD GUARD 8.5	<	1			
016	609024587	CORD GUARD 6.5		1	*		
016-1	JH00000109	CORD GUARD 6.5	<	1			
017	609024590	CORD CLAMP 8.5		1			
018	609024589	CORD CLAMP 6.5		1	*		
018-1	JH00000099	CORD CLAMP 6.5	O	1			
019	JH00000044	CAPACITOR 8 MICRO F		1	*		
019-1	JH00000181	CAPACITOR 8 MICRO F	O	1			
020	609024592	CAPACITOR HOLDER		1			
021	609024593	TAPPING SCREW 4X32		3			
022	609024601	SCREW M4X8		1			
023	609024596	SPRING WASHER 4		1			
024	JH00000004	GROUND WIRE ASSY		1			
025	609024600	TOOTHED LOCK SPRING WASHER 4		1	*		
025-1	JH00000082	TOOTHED LOCK SPRING WASHER 4	<	1			
026	609024629	CLOSED END SPLICE 5.5-SD		2			
027	609024630	CLOSED END SPLICE 2-SD		3			
028	609024632	CABLE TIE		1			
029	JH00000068	MOTOR ASSY 230V 50HZ		1			
D10		INC. 30-47					
D11		INC. 30-33, 35, 37-47					
030	609024595	GROMMET 10		1			

031	609024594	MOTOR HOUSING UPPER SIDE		1		
032	609024602	WAVE WASHER 25		1		
033	609024603	BALL BEARING 6201Z		1		
034	961052-5	RETAINING RING (EXT) S-12		1	*	
035	JH00000057	ROTOR		1		
036	961052-5	RETAINING RING (EXT) S-12		1	*	
037	609024603	BALL BEARING 6201Z		1		
038	JH00000047	STATOR ASSY 230V 50HZ		1		
039	609024667	LINING RING		1		
040	609024607	SHIM		1		
041	609024608	SKELETON SEAL RING		1	*	
041-1	JH00000111	SKELETON SEAL RING	<	1		
042	609024609	BEARING BOX		1		
043	609024610	O-RING		1	*	
043-1	JH00000112	O-RING	<	1		
044	609024611	MOTOR HOUSING LOWER SIDE		1		
045	609024608	SKELETON SEAL RING		1	*	
045-1	JH00000111	SKELETON SEAL RING	<	1		
046	609024633	MECHANICAL SEAL		1	*	
046-1	JH00000127	MECHANICAL SEAL	<	1		
047	609024634	RETAINING RING S-12 INOX		1		
048	609024613	SPACER WASHER 12		1		
049	609024614	IMPELLER 90		1		
050	609024615	NYLON INSERT HEX LOCK NUT M 8		1		
051	609024612	O-RING		1	*	
051-1	JH00000113	O-RING	<	1		
052	JH00000058	O-RING RETAINER		1		
053	609024646	TAPPING SCREW 4X30 INOX		6		
054	609024654	GROUND PLATE		1		
055	609024655	MOTOR MOUNT		1		
056	609024647	GASKET FOR HOUSING		1	*	
056-1	JH00000118	GASKET FOR HOUSING	<	1		
057	609024648	CASING		1		
058	609024649	STRAINER		1		
059	609024651	OUTLET CONNECTOR		1		
060	609024652	JOINT		1		

Please state Parts No. when your order.

Print Date 06/10/2024