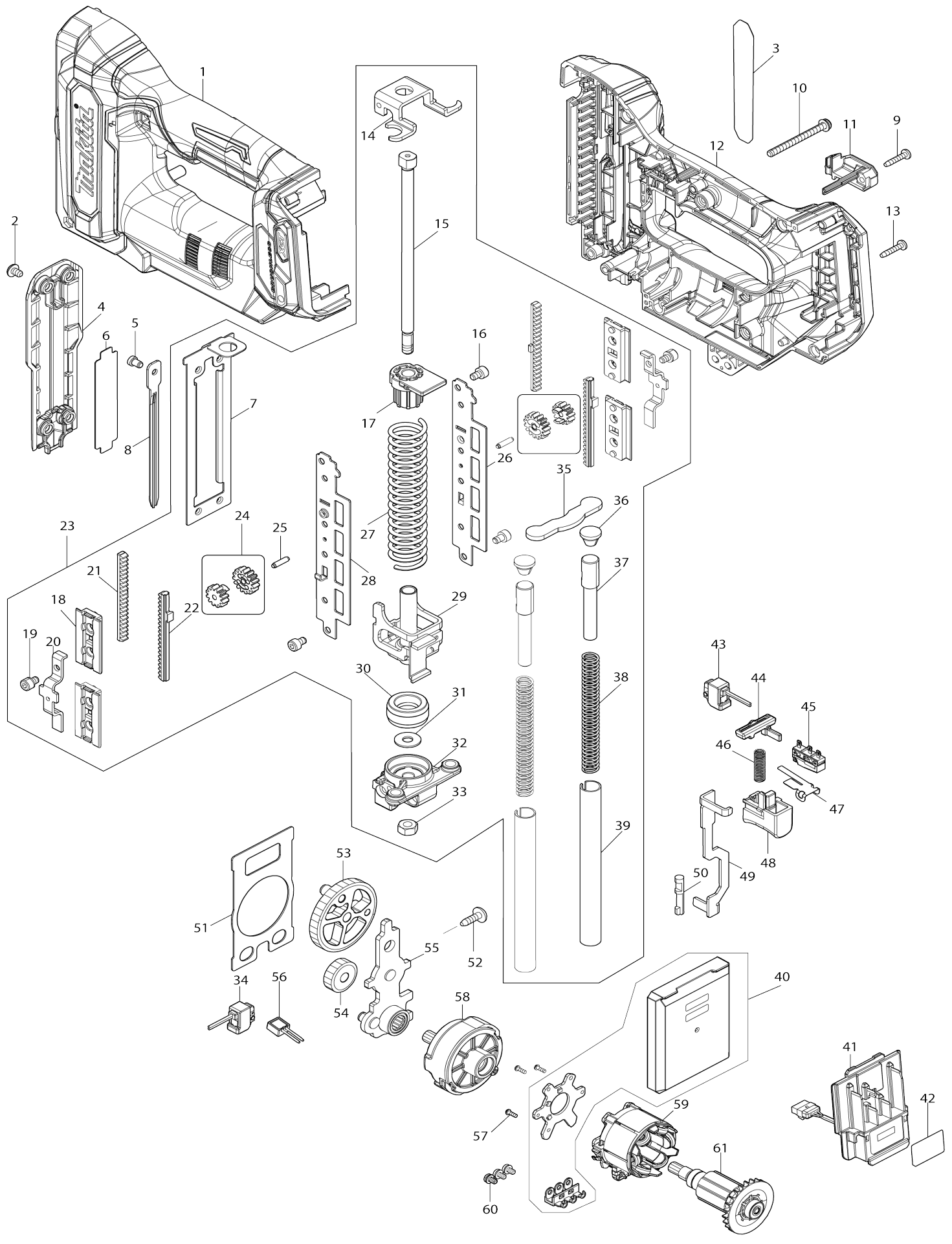
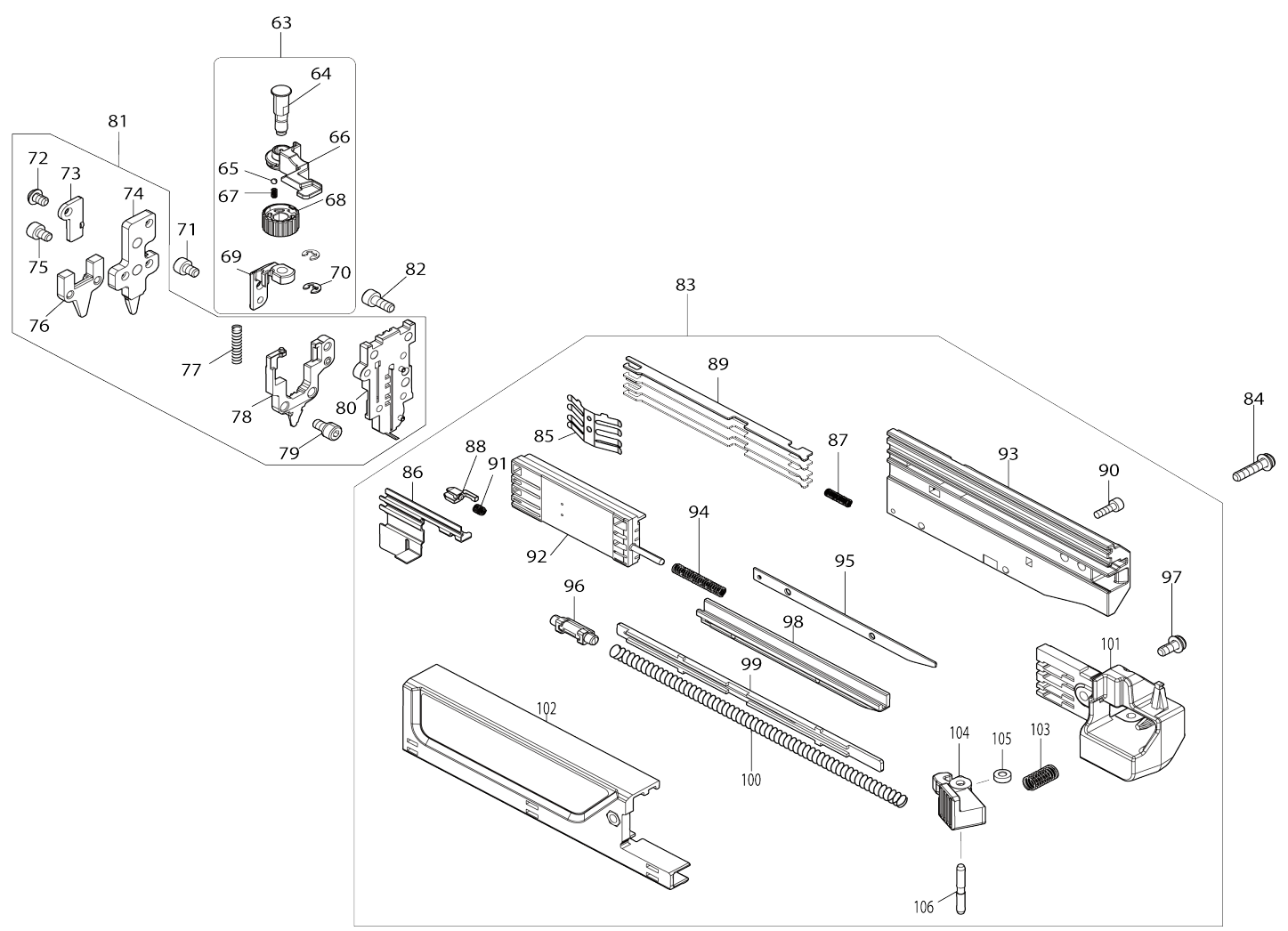


Model No.PT001G CORDLESS PIN NAILER



Model No.PT001G CORDLESS PIN NAILER



Model No.PT001G CORDLESS PIN NAILER

Item No.	Parts No.	Description	Interchangability	Q'ty	New/Old	Note1	Note2
001	183V33-3	HOUSING SET		1	*		
C10	263005-3	RUBBER PIN 6		2	*		
C20	252126-6	HEX. LOCK NUT M4-7		2	*		
C30	931102-0	HEX. NUT M4		1	*		
C40	8007R2-2	XGT LOGO LABEL		1	*		
001		INC. 12			*		
001-1	183X27-0	HOUSING SET	O	1			
C10	263005-3	RUBBER PIN 6		2			
C20	252126-6	HEX. LOCK NUT M4-7		2			
C30	931102-0	HEX. NUT M4		1			
C40	8007R2-2	XGT LOGO LABEL		1			
001-1		INC. 12					
002	915101-0	BINDING HEAD SCREW M4X6		4			
003	8116E5-4	PT001G NAME PLATE		1			
004	413D63-5	FRONT COVER		1			
005	256882-0	FLAT FILLISTER HD. PIN 4		1			
006	347528-0	UPPER PLATE		1			
007	347933-1	RAIL		1			
008	347935-7	DRIVER		1			
009	266130-9	TAPPING SCREW BIND PT 3X16		1			
010	911173-3	PAN HEAD SCREW M4X45		1			
011	413D62-7	HOUSING R COVER		1			
012	183V33-3	HOUSING SET		1	*		
C10	263005-3	RUBBER PIN 6		2	*		
C20	252126-6	HEX. LOCK NUT M4-7		2	*		
C30	931102-0	HEX. NUT M4		1	*		
C40	8007R2-2	XGT LOGO LABEL		1	*		
012		INC. 1			*		
012-1	183X27-0	HOUSING SET	O	1			
C10	263005-3	RUBBER PIN 6		2			
C20	252126-6	HEX. LOCK NUT M4-7		2			
C30	931102-0	HEX. NUT M4		1			
C40	8007R2-2	XGT LOGO LABEL		1			
012-1		INC. 1					
013	266130-9	TAPPING SCREW BIND PT 3X16		9			
014	347936-5	BOTTOM PLATE		1			
015	327939-5	GUIDE BOLT		1			
016	266199-3	HEX.SOCKET HEAD BOLT M4X6		4			
017	313406-6	BOTTOM HOLDER		1			
018	413330-4	COUNTER WEIGHT HOLDER		4			
019	251566-5	H.S.H BOLT M4X6 WITH W		2			
020	347146-4	PINION GUIDE		2			
021	313421-0	COUNTER WEIGHT A		2	*		
021-1	313665-2	COUNTER WEIGHT A	O	2			
022	310925-3	COUNTER WEIGHT B		2			
023	136695-4	COUNTER WEIGHT ASS'Y		1	*		
023		INC. 7,14-22,24-33,35-39			*		

023-1	137266-0	COUNTER WEIGHT ASS'Y	O	1		
023-1		INC. 7,14-22,24-33,35-39				
024	136104-3	SPUR GEAR ASSEMBLY		2		
025	326902-5	PINION SHAFT		2		
026	347938-1	GUIDE RAIL L		1		
027	232741-2	COMPRESSION SPRING 17		1		
028	347939-9	GUIDE RAIL R		1		
029	347937-3	HAMMER		1		
030	422457-9	CUSHION		1		
031	253804-1	FLAT WASHER 6		1		
032	312C49-9	HOLDER		1		
033	252273-3	HEX. NUT M6		1		
034	140W22-7	SWITCH COMPLETE		1		
035	347729-0	COUNTER STOPPER		1		
036	422592-3	COUNTER CUSHION		2		
037	327942-6	WEIGHT		2		
038	232630-1	COMPRESSION SPRING 7		2		
039	327943-4	GUIDE PIPE		2		
040	620H97-7	CONTROLLER		1		
C10	688163-8	LINE FILTER		1		
C20	688164-6	LINE FILTER		1		
041	632R99-1	TERMINAL UNIT		1		
042	8116F2-7	PT001G SERIAL NO. LABEL		1		
043	140W22-7	SWITCH COMPLETE		1		
044	456799-9	TRIGGER LOCK		1		
045	632S31-1	SWITCH UNIT		1		
046	232370-1	COMPRESSION SPRING 5		1		
047	232672-5	LEAF SPRING		1		
048	413328-1	TRIGGER		1		
049	347932-3	LOCK ARM		1		
050	327941-8	LOCK PIN		1		
051	347934-9	GEAR PLATE		1		
052	266901-4	TAPPING SCREW 4X14		1		
053	141G69-8	SPUR GEAR 61 COMPLETE		1		
054	226892-1	SPUR GEAR 25		1		
055	141G70-3	BASE PLATE COMPLETE		1		
056	620507-6	LED CIRCUIT		1		
057	266490-9	TAPPING SCREW PT 2X6		3		
058	122B56-6	GEAR ASSEMBLY		1		
059	629A99-8	STATOR		1		
060	652069-6	FLAT HEAD SCREW M3X6		3		
061	619727-7	ROTOR		1		
063	136663-7	ADJUSTER ASSEMBLY		1		
063		INC. 64-70				
064	327940-0	ADJUSTER SHAFT		1		
065	216031-1	STEEL BALL 2.3		1		
066	413D64-3	CONTACT ARM		1		
067	234254-9	COMPRESSION SPRING 2		1		
068	413D61-9	ADJUSTER		1		
069	313405-8	ARM		1		
070	961017-7	STOP RING E-3		2		
071	922102-1	HEX. SOCKET HEAD BOLT M4X6		1		

072	265C44-7	H.L.BUTTON HEAD BOLT M4X6		1		
073	347929-2	SPRING COVER		1		
074	141G71-1	DRIVER GUIDE COVER COMPLETE		1		
075	922102-1	HEX. SOCKET HEAD BOLT M4X6		3		
076	313404-0	CONTACT TOP COVER		1		
077	232740-4	COMPRESSION SPRING 3		1		
078	141D51-9	CENTER PLATE COMPLETE		1		
079	922106-3	HEX. SOCKET HEAD BOLT M4X8		2		
080	141D52-7	DRIVER GUIDE COMPLETE		1		
081	122B55-8	DRIVER GUIDE ASSEMBLY		1		
081		INC. 72-80				
082	922112-8	HEX. SOCKET HEAD BOLT M4X10		3		
083	136657-2	MAGAZINE ASSEMBLY		1		
083		INC. 85-106				
084	911133-5	PAN HEAD SCREW M4X18		2		
085	232362-0	LEAF SPRING		1		
086	347138-3	PUSHER		1		
087	232367-0	COMPRESSION SPRING 3		4		
088	310176-8	STOPPER		1		
089	346239-4	NAIL STOPPER		4		
090	266177-3	HEX. SOCKET HEAD BOLT M3X10		2		
091	233018-8	COMPRESSION SPRING 3		1		
092	457382-5	NAIL GUIDE HOLDER		1		
093	458195-7	MAGAZINE		1		
094	233459-8	COMPRESSION SPRING 3		1		
095	347137-5	SPACER		1		
096	457383-3	SHOULDER PIN 5-6		1		
097	911113-1	PAN HEAD SCREW M4X10 WITH WR		1		
098	144335-0	LOWER RAIL COMPLETE		1		
099	457387-5	SPRING COVER		1		
100	232366-2	COMPRESSION SPRING 5		1		
101	457381-7	SLIDE DOOR CAP		1		
102	457380-9	UPPER RAIL		1		
103	233117-6	COMPRESSION SPRING 6		1		
104	413329-9	LEVER		1		
105	262054-7	URETHANE RING 3		1		
106	256793-9	PIN 3		1		
A02	251314-2	+ TRUSS HEAD SCREW M4X12		1		
A03	346317-0	HOOK		1		
A04	422844-2	NOSE ADAPTER		2		
A05	783201-2	HEX. WRENCH 3		1		

Please state Parts No. when your order.

Print Date 30/12/2024