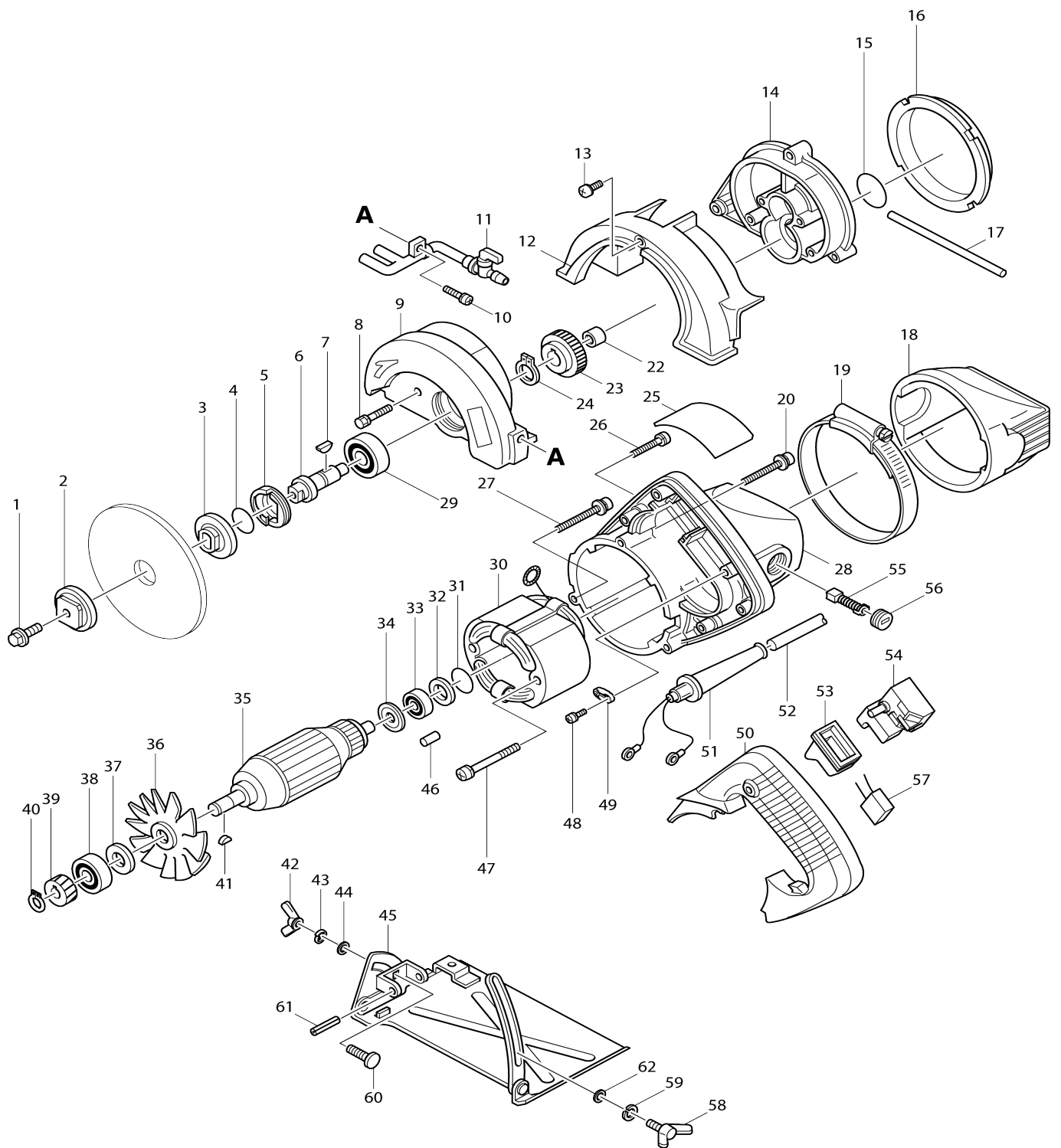


# Model No.4101RH CUTTER 125MM



Model No.4101RH CUTTER 125MM

Item No.	Parts No.	Description	Interchangability	Q'ty	New/Old	Note1	Note2
001	266133-3	HEX. SOCKET HEAD BOLT M6X20		1			
002	224081-2	OUTER FLANGE 36		1			
003	224080-4	INNER FLANGE 36		1			
004	213255-0	O RING 18		1			
005	285815-8	BEARING RETAINER 19-33		1			
006	321197-5	SPINDLE		1			
007	254001-2	WOODRUFF KEY 4		1			
008	925146-0	+ HEX. BOLT M4X25		4			
009	150179-8	BLADE CASE COMPLETE		1	*		
C10	817667-5	CAUTION LABEL		1	*		
009-1	151509-6	BLADE CASE COMPLETE	O	1			
C10	810939-7	CAUTION LABEL		1			
010	911123-8	PAN HEAD SCREW M4X14		1			
011	150172-2	PIPE COMPLETE		1	*		
C10	213014-2	O RING 3		1	*		
011-1	153409-6	WATER SUPPLY PIPE COMPLETE	<	1			
C10	213014-2	O RING 3		1			
012	410910-7	COVER B		1			
013	911203-0	PAN HEAD SCREW M5X8		1			
014	150926-7	GEAR HOUSING COMPLETE		1			
D10		INC. 15					
015	213407-3	O RING 26		1			
016	415403-9	FAN GUIDE		1			
017	423155-8	SEAL RUBBER		1			
018	414074-9	COVER A		1			
019	163282-6	CLAMP 90		1			
020	911258-5	PAN HEAD SCREW M5X35		1			
022	212004-2	NEEDLE BEARING 810		1			
023	226420-2	HELICAL GEAR 42		1			
024	961052-5	RETAINING RING (EXT) S-12		1			
025	851596-2	NAME PLATE 4101RH		1			
026	911148-2	PAN HEAD SCREW M4X25		4			
027	911263-2	PAN HEAD SCREW M5X40		2			
028	150927-5	MOTOR HOUSING COMPLETE		1			
C10	643708-9	BRUSH HOLDER 5-11		2			
C20	810948-6	CAUTION LABEL		1	*		
C30	818572-9	EARTH MARK LABEL		1			
C40	810946-0	CAUTION LABEL		1	*		
C50	810947-8	CAUTION LABEL		1			
C60	810971-1	CAUTION LABEL		1			
D10		INC. 46					
029	211129-9	BALL BEARING 6201DDW		1			
030	522843-5	FIELD ASS'Y 220V		1			
C10	654020-2	RING TERMINAL		2			
C20	654502-4	CONNECTOR P-2		2			
031	213262-3	O RING 18		1			
032	253192-6	FLAT WASHER 14		1			

033	211033-2	BALL BEARING 608LB		1		
034	681613-2	INSULATION WASHER		1		
035	516343-5	ARMATURE ASS'Y 220V		1		
D10		INC. 33,34,36-38				
036	240007-6	FAN 68		1		
037	253741-9	FLAT WASHER 9		1		
038	211056-0	BALL BEARING 629LLB		1	*	
038-1	210042-8	BALL BEARING 629LLB	O	1		
039	226419-7	HELICAL GEAR 19		1		
040	961004-6	RETAINING RING (EXT) S-8		1		
041	254002-0	WOODRUFF KEY 3		1		
042	252623-2	WING NUT M6		1		
043	942151-2	SPRING WASHER 6		1	*	
044	941151-9	FLAT WASHER 6		1		
045	168216-4	BASE		1		
046	263002-9	RUBBER PIN 4		1		
047-1	911290-9	PAN HEAD SCREW M5X65		2		
048	911133-5	PAN HEAD SCREW M4X18		2		
049	687052-4	STRAIN RELIEF		1	*	
049-1	687053-2	STRAIN RELIEF	X	1		
050	152597-6	HANDLE COVER COMPLETE		1		
C10	421459-2	DUST COVER		1		
051A1	682504-0	CORD GUARD 10-85	X	1		
052	699005-1	POWER SUPPLY CORD UNIT		1		
C10	652739-7	RESIDUAL CURRENT DEVICE		1		
053	421329-5	DUST COVER		1		
054-1	651252-2	SWITCH SGE215C		1		
055	191963-2	CARBON BRUSH CB-303		1	*	
055-1	194996-6	CARBON BRUSH SET CB-303	O	1		
056-1	643755-0	BRUSH HOLDER CAP 7-11		2		
057-1	645200-1	NOISE SUPPRESSOR		1		
058	251886-7	WING BOLT M6X10		1		
059	942151-2	SPRING WASHER 6		1	*	
060	251919-8	CAP SQUARE NECK BOLT M6X20		1		
061	951219-3	SPRING PIN 6-32		1		
062	941151-9	FLAT WASHER 6		1		
063	654532-5	TERMINAL BLOCK 1P		1		
064	632829-2	LEAD UNIT		1		
065	652014-1	PAN HEAD SCREW M4X8		1		
A01	410047-0	WRENCH HOLDER 5.6		1		
A02	412010-9	VINYL TUBE 5X7X5000		1		
A03	421125-1	PLUG		1	*	
A03-1	421835-0	WATER SUPPLY PLUG	O	1		
A04	792190-0	DIAMOND WHEEL 110		1	*	
A04-1	A-85210	DIAMOND WHEEL 110(WET)	O	1	*	
A04-2	A-87292	125MM DIAMOND WHEEL(RIM/ WET)	O	1	*	
A04-3	B-21951	DIAMOND WHEEL 125MM RIM E N	<	1	*	
A04-4	B-21951	DIAMOND WHEEL 125MM RIM E N	O	1		
A05	781011-1	WRENCH 22		1		

A06	783203-8	HEX. WRENCH 5		1			
-----	----------	---------------	--	---	--	--	--

Please state Parts No. when your order.

Print Date 19/06/2024