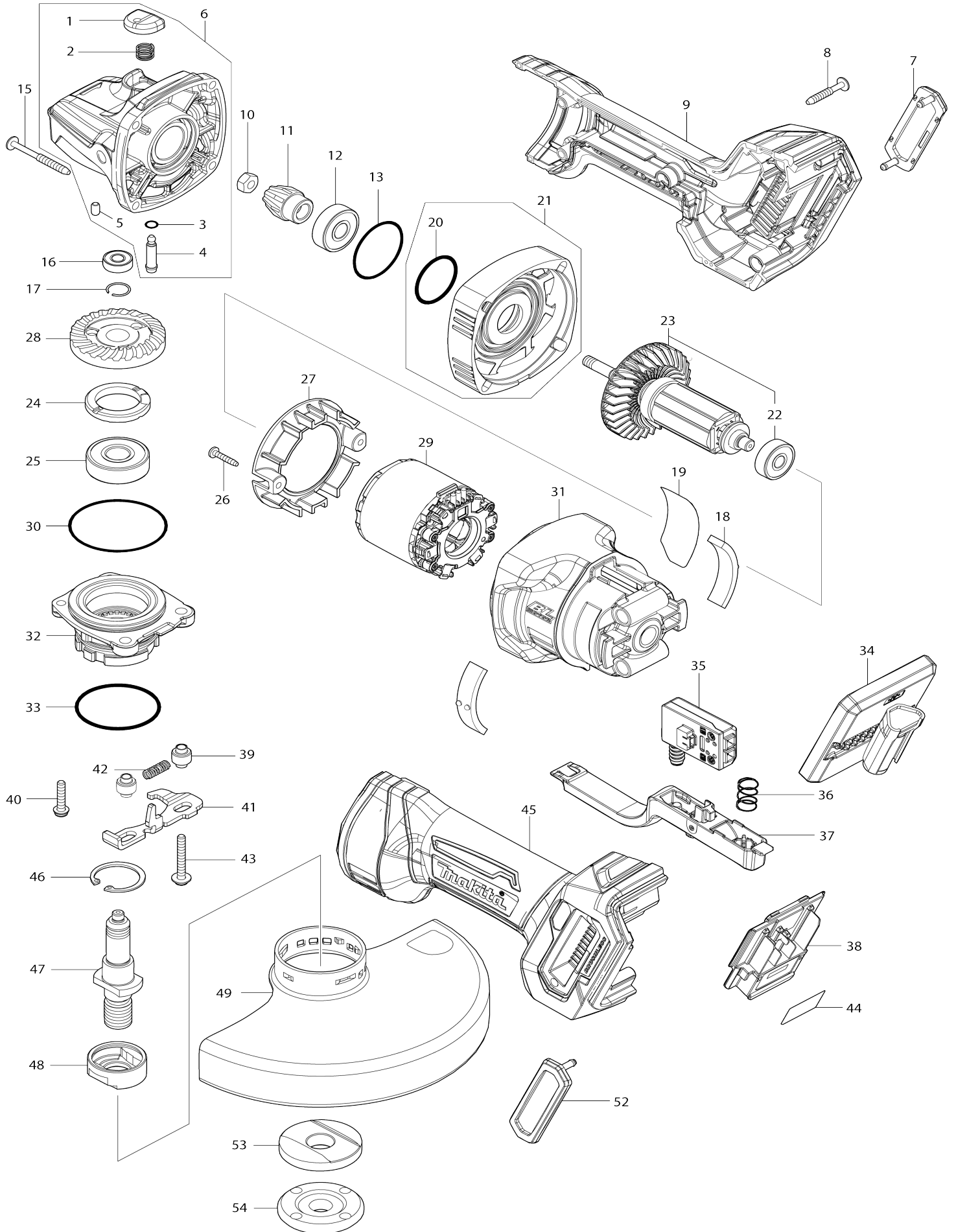


# Model No.GA051G 150MM CORDLESS ANGLE GRINDER



Model No.GA051G 150MM CORDLESS ANGLE GRINDER

Item No.	Parts No.	Description	Interchangability	Q'ty	New/Old	Note1	Note2
001	412234-7	PIN CAP		1			
002	233072-2	COMPRESSION SPRING 8		1			
003	213960-9	O RING 5		1			
004	256546-6	SHOULDER PIN 4		1			
005	263002-9	RUBBER PIN 4		1			
006	136986-3	GEAR HOUSING ASSEMBLY		1			
006		INC. 1-5					
007	422A12-3	DUST COVER		1			
008	265999-8	TAPPING SCREW 4X25		5			
009	183Y56-9	HANDLE SET		1			
C10	263005-3	RUBBER PIN 6		2			
C20	422A11-5	CUSHION RING		4			
009		INC. 7,45,52					
010	252186-8	HEX. NUT M6		1			
011	226976-5	SPIRAL BEVEL GEAR 10		1			
012	210042-8	BALL BEARING 629LLB		1			
013	213A32-6	O-RING 32		1			
015	266048-4	TAPPING SCREW 4X40		4			
016	210033-9	BALL BEARING 696ZZ		1			
017	233950-6	RING SPRING 11		1			
018	422A10-7	FRONT CUSHION		2			
019	8589N1-2	GA051G NAME PLATE		1			
020	213445-5	O-RING 26		1			
021	136989-7	GEAR HOUSING COVER ASS'Y		1			
021		INC. 20					
022	210023-2	BALL BEARING 627DDW		1	*		
022-1	210325-6	BALL BEARING 627DDW	<	1			
023	519810-9	ROTOR ASSEMBLY		1	*		
023		INC. 22			*		
023-1	510618-4	ROTOR ASS'Y	<	1			
023-1		INC. 22					
024	285039-6	BEARING RETAINER 23-33		1			
025	211137-0	BALL BEARING 6201LLU		1			
026	266429-2	TAPPING SCREW 3X16		2			
027	413P41-7	BAFFLE PLATE		1			
028	227A65-5	SPIRAL BEVEL GEAR 37		1			
029	629C11-0	STATOR		1			
030	213622-9	O RING 45		1			
031	1830B1-8	MOTOR HOUSING SET		1			
031		INC. 18					
032	141N73-9	BEARING BOX COMPLETE		1			
033	213789-3	O-RING 38		1			
034	620L31-1	CONTROLLER		1			
035	651083-9	SWITCH C3XA-1PSPM		1			
036	233263-5	COMPRESSION SPRING 9		1			
037	141N71-3	SWITCH LEVER COMPLETE		1			
038	632P65-6	TERMINAL UNIT		1			

039	327322-6	SLEEVE 4		2		
040	911138-5	P.H.SCREW M4X20 WITH WR		2		
041	347803-4	LEVER		1		
042	232490-1	COMPRESSION SPRING 4		1		
043	911159-7	PAN HEAD SCREW M4X30		2		
044	8589N5-4	GA051G SERIAL NO.LABEL		1		
045	183Y56-9	HANDLE SET		1		
C10	263005-3	RUBBER PIN 6		2		
C20	422A11-5	CUSHION RING		4		
045		INC. 7,9,52				
046	962105-3	RETAINING RING R-26		1		
047	326672-6	SPINDLE		1		
048	310514-4	LEAD FLANGE		1		
049	141P47-2	WHEEL COVER 150 COMPLETE		1		
C10	8050A1-8	CAUTION LABEL		1		
052	422A12-3	DUST COVER		1		
053	224447-6	INNER FLANGE 42B		1		
054	224485-8	LOCK NUT 14-45		1		
A01	A-80846	DEPRESSED CENTER WHEEL 150X 36		1		
A02	191V56-7	CUTTING W.C.A. 150 SET		1		
A03	162258-0	VIBRATION PROOF GRIP		1		
A04	782423-1	LOCK NUT WRENCH 35		1		
F10	194514-0	VIBRATION PROOF GRIP SET		1		

Please state Parts No. when your order.

Print Date 17/10/2024