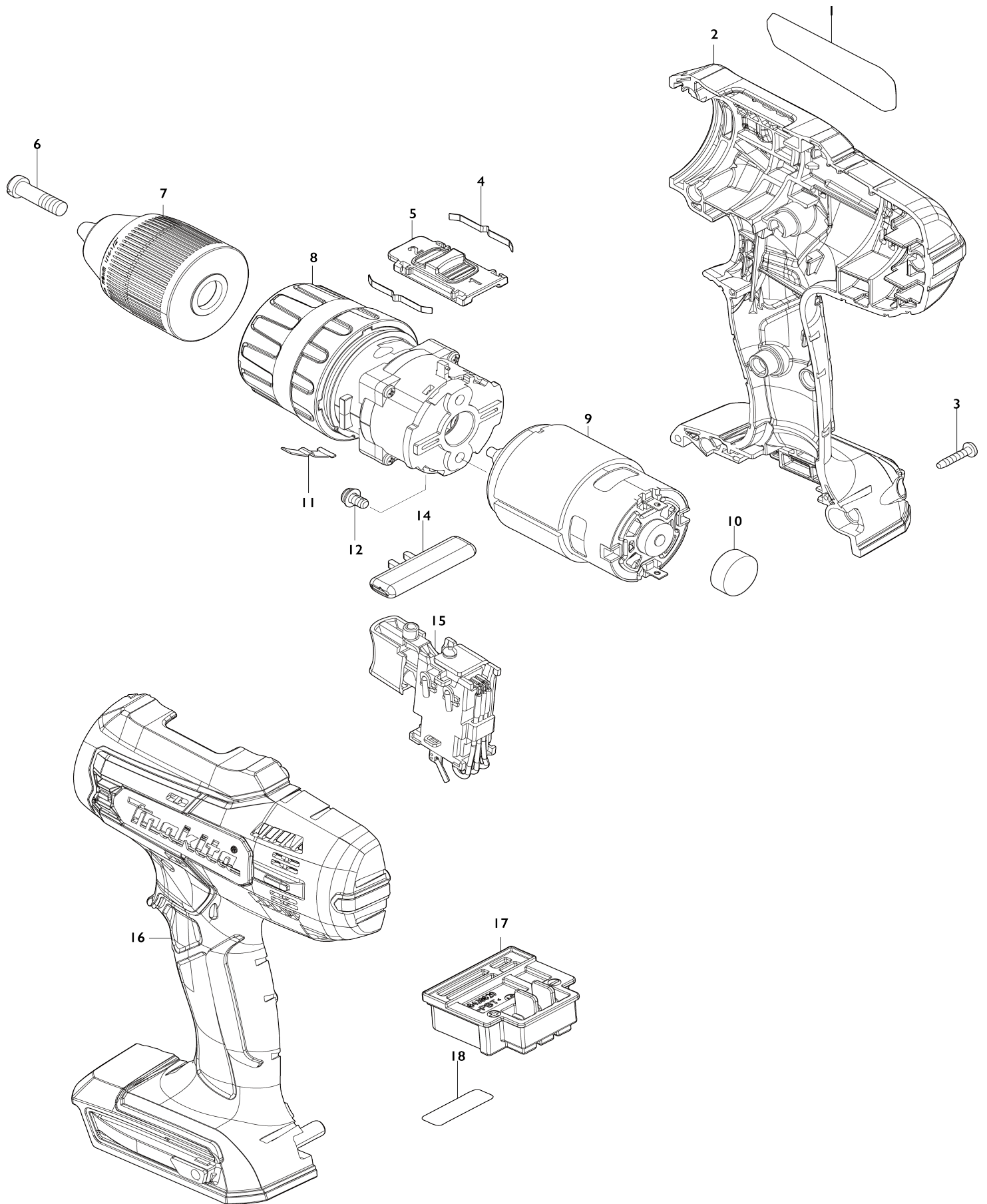


Model No.HP488D CORDLESS HAMMER DRIVER DRILL



Model No.HP488D CORDLESS HAMMER DRIVER DRILL

Item No.	Parts No.	Description	Interchangability	Q'ty	New/Old	Note1	Note2
001	858A41-4	HP488D NAME PLATE		1			
002	183R93-1	HOUSING SET		1			
C10	252126-6	HEX. LOCK NUT M4-7		2			
D10		INC. 16					
003	266429-2	TAPPING SCREW 3X16		9			
004	232220-0	LEAF SPRING		2			
005	127754-5	SPEED CHANGE LEVER ASSEMBLY		1			
C10	233438-6	COMPRESSION SPRING 4		2			
006	251468-5	- FLAT HEAD SCREW M6X22		1			
007-1	763260-2	KEYLESS DRILL CHUCK 13		1			
008-1	127732-5	GEAR ASSEMBLY		1			
009	629937-8	DC MOTOR		1			
010	421940-3	CAP		1			
011	232182-2	LEAF SPRING		1			
012	911108-4	PAN HEAD SCREW M4X8		2			
014	452399-3	F/R CHANGE LEVER		1			
015	638887-6	SWITCH UNIT		1			
C30	654086-2	RECEPTACLE		2			
C40	654199-9	RECEPTACLE		2			
016	183R93-1	HOUSING SET		1			
C10	252126-6	HEX. LOCK NUT M4-7		2			
D10		INC. 2					
017	643862-9	TERMINAL		1			
018	858A45-6	HP488D SERIAL NO. LABEL		1			
A01	784637-8	+ - BIT 2-45		1			
A02	***DC18WB	DC18WB BATTERY CHARGER		1			
A03	198186-3	BATTERY BL1815G SET		2	*		
A03-1	198186-3	BATTERY BL1815G SET	<	2			
A04	452652-7	BATTERY COVER		1			
A05	821844-3	PLASTIC CARRYING CASE		1			
C10	455522-9	SLIDE LATCH		2			
A06	8044G4-5	HP488D002 PLASTIC CASE LABEL		2			
F01	196306-3	KEYLESS DRILL CHUCK 13 SET		1			
007	766004-9	KEYLESS DRILL CHUCK 13		1	*		
008	127733-3	GEAR ASSEMBLY		1	*		
A02	***DC18WA	DC18WA BATTERY CHARGER		1			
D10		COMPO-PARTS					
A03	191N69-0	BATTERY BL1820G SET		2			
A06	8028Y3-1	HP488DWAE PLASTIC CASE LABEL		2			

Please state Parts No. when your order.

Print Date 09/10/2024