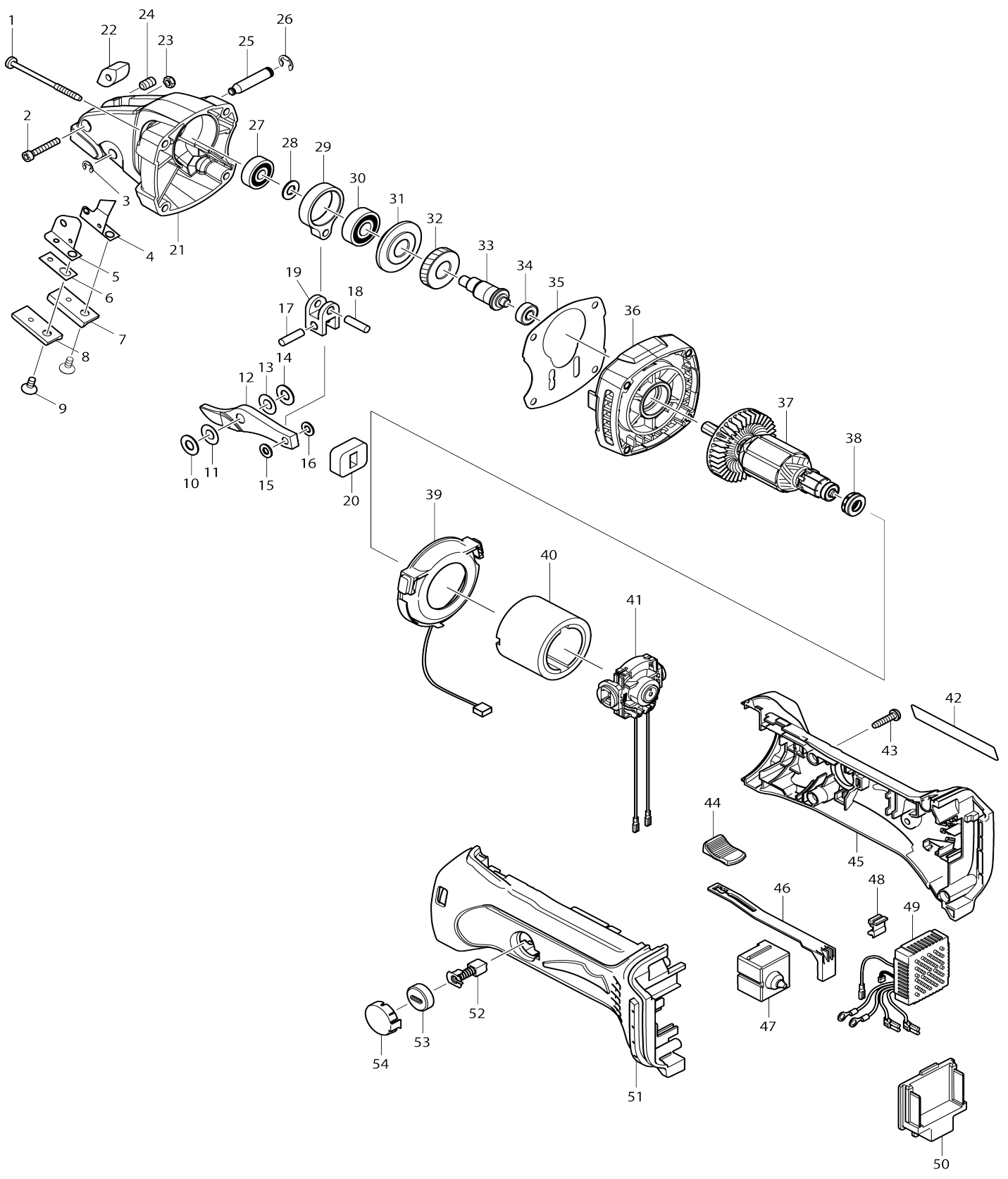


Model No.DJS161 CORDLESS STRAIGHT SHEAR 1.6MM



Model No.DJS161 CORDLESS STRAIGHT SHEAR 1.6MM

Item No.	Parts No.	Description	Interchangeability	Q'ty	New/Old	Note1	Note2
001	266091-3	TAPPING SCREW 4X50		4			
002	922147-9	HEX. SOCKET HEAD BOLT M4X25		1			
003	961011-9	STOP RING E-4		1			
004	346131-4	SLIP PLATE R		1			
005	343480-0	SLIP PLATE L		1			
006	343481-8	SPACER		1			
007	792533-6	SIDE BLADE SET		1			
009	251951-2	HEX. SOCKET C.S.H. SCREW M5X10		2			
010	261065-9	FLUOROPLASTIC WASHER 7		1	*		
010-1	261065-9	FLUOROPLASTIC WASHER 7	O	1	*		
010-2	261065-9	FLUOROPLASTIC WASHER 7	O	1			
011	253338-4	THIN WASHER 7		1			
012	792534-4	CENTER BLADE		1			
013	253338-4	THIN WASHER 7		1			
014	261065-9	FLUOROPLASTIC WASHER 7		1	*		
014-1	261065-9	FLUOROPLASTIC WASHER 7	O	1	*		
014-2	261065-9	FLUOROPLASTIC WASHER 7	O	1			
015	267010-2	FLAT WASHER 5		1			
016	267010-2	FLAT WASHER 5		1			
017	256155-1	PIN 5		1			
018	256155-1	PIN 5		1			
019	331329-6	LINK		1			
020	423118-4	DUST COVER		1			
021	140130-6	CRANK HOUSING COMPLETE		1	*		
021-1	140130-6	CRANK HOUSING COMPLETE	O	1			
022	325727-4	BLOCK		1			
023	252083-8	HEX. LOCK NUT M4-7		1			
024	266085-8	H.S.SET SCREW(FLAT POINT)M6X10		1			
025	256733-7	PIN 7		1			
026	961012-7	STOP RING E-6		1			
027	210023-2	BALL BEARING 627DDW		1			
028	253133-2	FLAT WASHER 7		1			
029	331273-7	ROD		1			
030	210067-2	BALL BEARING 600ZZ		1			
031	325716-9	SEALING SCREW		1			
032	227716-4	HELICAL GEAR 34		1			
033	325715-1	CRANK SHAFT		1			
034	210033-9	BALL BEARING 696ZZ		1			
035	442150-9	GASKET		1			
036	140131-4	GEAR HOUSING COMPLETE		1			
037	619249-7	ARMATURE		1			
038	421977-0	RUBBER RING 13		1			
039	631714-6	LED CIRCUIT		1			
040	638627-2	YOKE UNIT		1			
041	638921-2	ENDBELL COMPLETE		1			
042	815T27-5	DJS161 NAME PLATE		1			

043	265995-6	TAPPING SCREW 4X18		5	*		
043-1	266326-2	TAPPING SCREW 4X18	O	5			
044	419566-3	SWITCH KNOB		1			
045	187839-9	HOUSING SET		1			
C10	263005-3	RUBBER PIN 6		2			
045		INC. 51					
046	419519-2	SWITCH LEVER		1			
047	650579-7	SWITCH 1246.3223		1	*		
047-1	650579-7	SWITCH 1246.3223	O	1			
048	424026-2	CUSHION		1			
049	620243-4	CONTROLLER		1			
050	644808-8	TERMINAL		1			
051	187839-9	HOUSING SET		1			
C10	263005-3	RUBBER PIN 6		2			
051		INC. 45					
052	191971-3	CARBON BRUSH CB-430		1			
053	643929-3	BRUSH HOLDER CAP		2			
054	419518-4	HOLDER CAP COVER		2			
A01	762013-6	THICKNESS GAUGE		1			
A02	783201-2	HEX. WRENCH 3		1			
A03	***DC18RC	DC18RC FAST CHARGER		1			
A04	194204-5	BATTERY BL1830 SET		2	*		
A04	196235-0	BATTERY BL1815N SET		1	*		
A04	196399-0	BATTERY BL1840 SET		2	*		
A04-1	194204-5	BATTERY BL1830 SET	O	2	*		
A04-1	196235-0	BATTERY BL1815N SET	O	1			
A04-1	196399-0	BATTERY BL1840 SET	O	2	*		
A04-2	197600-6	BATTERY BL1830B SET	<	2	*		
A04-2	197265-4	BATTERY BL1840B SET	<	2	*		
A04-2	197280-8	BATTERY BL1850B SET		2	*		
A04-3	197600-6	BATTERY BL1830B SET	O	2			
A04-3	197265-4	BATTERY BL1840B SET	O	2			
A04-3	197280-8	BATTERY BL1850B SET	O	2			
A05	450128-8	BATTERY COVER		1			
A06	141478-9	PLASTIC CASE COMPLETE		1			
C10	163455-1	LATCH		2			
A06	821550-0	CONNECTOR PLASTIC CASE (TYP E2)		1			
C10	453974-8	LATCH		4			
A07	837636-0	INNER TRAY		1			
A08	804C27-8	DJS161RFJ INDICATION LABEL		1			
A08	804C29-4	DJS161ZJ INDICATION LABEL		1			
A08	804C35-9	DJS161Y1J INDICATION LABEL		1			
A08	804K98-3	DJS161RMJ INDICATION LABEL		1			
A08	809C07-9	DJS161RTJ INDICATION LABEL		1			
A09	804C28-6	DJS161RFJ PLASTIC CASE LABEL		2			
A09	804C30-9	DJS161ZJ PLASTIC CASE LABEL		2			
A09	804C36-7	DJS161Y1J PLASTIC CASE LABEL		2			
A09	804K99-1	DJS161RMJ PLASTIC CASE LABEL		2			
A09	809C08-7	DJS161RTJ PLASTIC CASE LABEL		2			
F03-2	196235-0	BATTERY BL1815N SET	O	1			
F04-1	196449-1	BATTERY BL1815N SET	O	1			

F05-2	196449-1	BATTERY BL1815N SET	O	1			
-------	----------	---------------------	---	---	--	--	--

Please state Parts No. when your order.

Print Date 11/04/2024