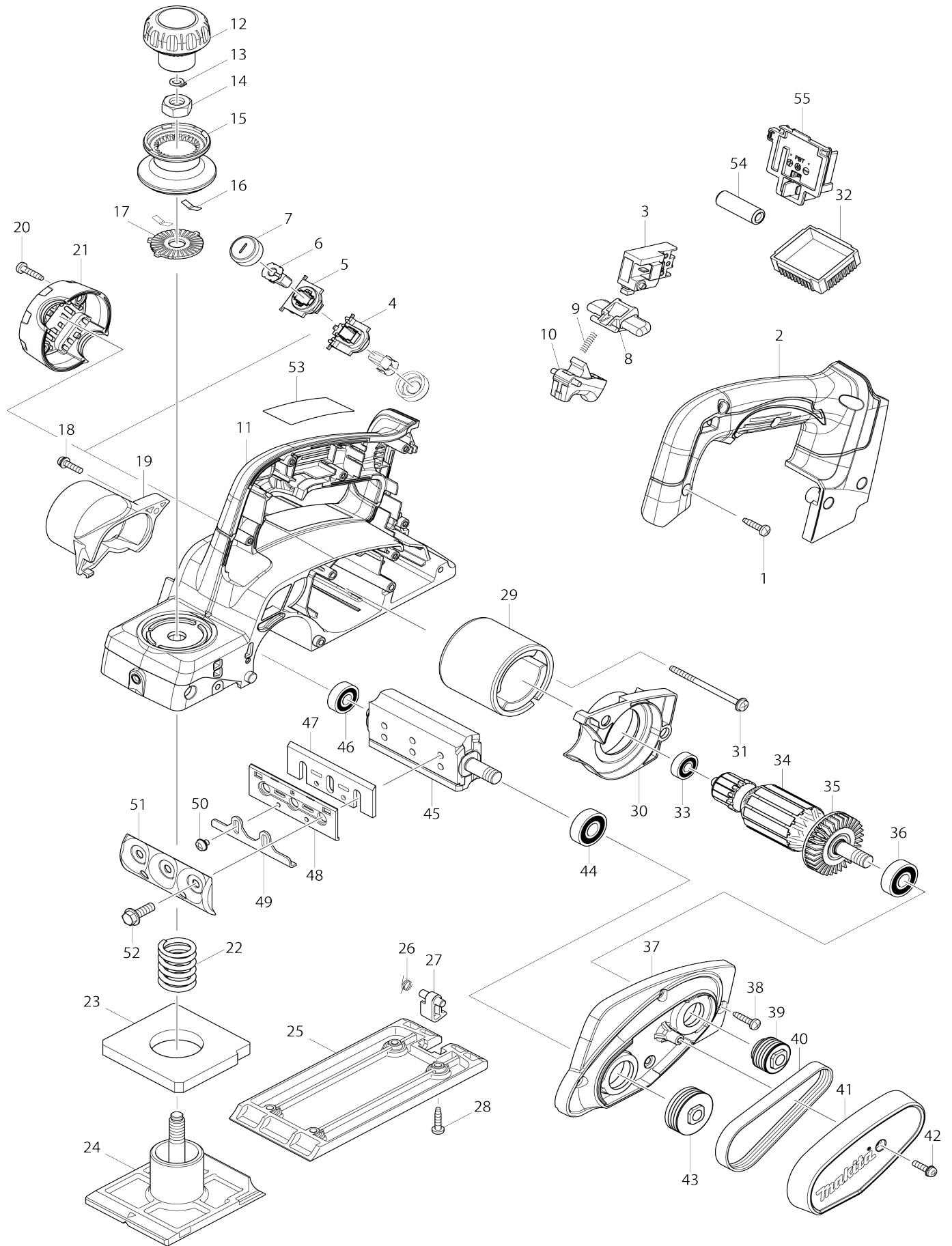


# Model No. DKP180 82MM CORDLESS PLANER



Model No.DKP180 82MM CORDLESS PLANER

Item No.	Parts No.	Description	Interchangability	Q'ty	New/Old	Note1	Note2
B01	195193-7	HAMMER SERVICE KIT SET		1			
C10	195127-0	OIL VESSEL SET		2			
D10		INC. 35,37,38,40,84,111,115					
A03	196671-0	BATTERY BL1850 SET		2	*		
A03-2	197280-8	BATTERY BL1850B SET	<	2	*		
C10	453974-8	LATCH		4			
A06	196399-0	BATTERY BL1840 SET		2	*		
A06-1	196399-0	BATTERY BL1840 SET	O	2	*		
A06-2	197265-4	BATTERY BL1840B SET	<	2	*		
A06-3	197265-4	BATTERY BL1840B SET	O	2			
A09	450128-8	BATTERY COVER		1			
001	266326-2	TAPPING SCREW 4X18		6			
002	140905-3	HANDLE COVER COMPLETE		1			
C10	263005-3	RUBBER PIN 6		1			
003	650631-1	SWITCH		1			
004	643872-6	BRUSH HOLDER		1			
005	643873-4	BRUSH HOLDER		1			
006	194435-6	CARBON BRUSH CB-441		1	*		
006-1	195022-4	CARBON BRUSH SET CB-441	O	1			
007	643829-7	HOLDER CAP		2			
008	419664-3	LOCK OFF LEVER		1			
009	231469-9	COMPRESSION SPRING 4		1	*		
009-1	231469-9	COMPRESSION SPRING 4	O	2			
010	419665-1	SWITCH LEVER		1			
011	140904-5	MAIN FRAME COMPLETE		1			
C10	263005-3	RUBBER PIN 6		1			
012	451328-3	KNOB COVER		1			
013	961004-6	RETAINING RING (EXT) S-8		1			
014	264028-4	HEX. NUT M10		1			
015	452480-0	KNOB		1	*		
015-1	452480-0	KNOB	O	1			
016	232185-6	LEAF SPRING		2			
017	346110-2	CAM PLATE		1	*		
017-1	346110-2	CAM PLATE	O	1			
018	911128-8	P.H.SCREW M4X16 WITH WR		1			
019	451329-1	NOZZLE		1			
020	266326-2	TAPPING SCREW 4X18		2			
021	419281-9	REAR COVER		1			
022	231004-3	COMPRESSION SPRING 18		1	*		
022-1	233395-8	COMPRESSION SPRING 18	O	1			
023	421007-7	RUBBER PACKING		1			
024	319011-7	FRONT BASE		1			
025	319009-4	BASE		1			
026	231698-4	TORSION SPRING 7		1			
027	451392-4	FOOT		1	*		
027-1	413L64-1	FOOT	<	1			
028	266326-2	TAPPING SCREW 4X18		4			

029	638571-3	YOKE UNIT		1		
030	452479-5	BAFFLE PLATE		1		
031	266292-3	TAPPING SCREW 4X65		2	*	
031-1	265A85-1	TAPPING SCREW 4X65	O	2		
032	620264-6	CONTROLLER		1	*	
032-1	620G74-3	CONTROLLER	<	1		
033	210017-7	BALL BEARING 607DDW		1		
034	519272-1	ARMATURE ASS'Y DC18V		1		
D10		INC. 33,35,36				
035	240052-1	FAN 46		1		
036	211088-7	BALL BEARING 6000DDW		1		
037	140753-0	BRACKET COMPLETE		1		
C10	263002-9	RUBBER PIN 4		2		
038	266326-2	TAPPING SCREW 4X18		4		
039	222172-3	V-PULLEY 4-24L		1		
040	225007-7	POLY V-BELT 4-241		1		
041	452478-7	BELT COVER		1		
042	911128-8	P.H.SCREW M4X16 WITH WR		1	*	
042-1	911138-5	P.H.SCREW M4X20 WITH WR	<	1		
043	222173-1	V-PULLEY 4-33.5		1		
044	211088-7	BALL BEARING 6000DDW		1		
045	161061-6	DRUM		1		
046	211032-4	BALL BEARING 608ZZ		1		
047	A-82921	T.C.T. MINI PLANER BLADE		1	*	
047-1	D-07945	82MM TCT MINI PLANER BLADE	O	1		
048	343433-9	SET PLATE F/MINI BLADE		2		
049	345644-2	ADJUST PLATE		2	*	
049-1	345644-2	ADJUST PLATE	O	2		
050	265132-2	+ PAN HEAD SCREW M4X5		4		
051	187679-5	DRUM PLATE SET		1		
052	251609-3	HEX. FLANGE HEAD BOLT M6X17		6		
053	815K71-8	DKP180 NAME PLATE		1		
054	688165-4	LINE FILTER		1		
055	644808-8	TERMINAL		1		
A01	165581-2	GUIDE RULE		1		
A02	265785-7	THUMB SCREW M5X10		1		
A03	123062-2	BLADE GAUGE ASS'Y		1	*	
C10	911228-4	PAN HEAD SCREW M5X18		2	*	
C20	411086-3	GAUGE PLATE		1	*	
A03-1	127669-6	BLADE GAUGE ASSEMBLY	O	1	*	
C10	911228-4	PAN HEAD SCREW M5X18		2	*	
C20	418465-6	GAUGE PLATE		1	*	
A03-2	122695-0	BLADE GAUGE ASS'Y	O	1		
C10	265131-4	PAN HEAD SCREW M5X18		2		
C20	418465-6	GAUGE PLATE		1		
A04	782209-3	SOCKET WRENCH 9		1		
A05	***DC18RC	DC18RC FAST CHARGER		1		
A06	194204-5	BATTERY BL1830 SET		2	*	
A06-1	194204-5	BATTERY BL1830 SET	O	2	*	
A06-2	197600-6	BATTERY BL1830B SET	<	2	*	
A06-3	197600-6	BATTERY BL1830B SET	O	2		
A07	450128-8	BATTERY COVER		1		

A08	824982-0	PLASTIC CARRYING CASE		1			
C10	162271-8	LATCH		2			
C20	450990-1	HANDLE		1			
A09	837295-0	INNER TRAY		1	*		
A09-1	836393-7	INNER TRAY	O	1			
B01	195055-9	GUIDE RULE SET		1			
D10		INC. A01,A02					
F06	193540-6	SET PLATE 82 SET		1			
F15-2	196235-0	BATTERY BL1815N SET	O	1			
F16-1	196449-1	BATTERY BL1815N SET	O	1			
F17-2	196449-1	BATTERY BL1815N SET	O	1			
A08	821551-8	CONNECTOR PLASTIC CASE (TYP E3)		1			
C10	453974-8	LATCH		4			
A09	837808-7	INNER TRAY		1			
A10	803H78-8	DKP180RFJ INDICATION LABEL		1			
A11	803H79-6	DKP180RFJ PLASTIC CASE LABEL		2			
A05	821551-8	CONNECTOR PLASTIC CASE (TYP E3)		1			
C10	453974-8	LATCH		4			
A06	837808-7	INNER TRAY		1			
A07	803H80-1	DKP180ZJ INDICATION LABEL		1			
A08	803H81-9	DKP180ZJ PLASTIC CASE LABEL		2			
A07	803X76-8	DKP180Y1J INDICATION LABEL		1			
A08	803X77-6	DKP180Y1J PLASTIC CASE LABEL		2			
A09	196235-0	BATTERY BL1815N SET		1	*		
A09-1	196235-0	BATTERY BL1815N SET	O	1			
A06	196399-0	BATTERY BL1840 SET		2	*		
A06-1	196399-0	BATTERY BL1840 SET	O	2	*		
A06-2	197265-4	BATTERY BL1840B SET	<	2	*		
A06-3	197265-4	BATTERY BL1840B SET	O	2			
A10	804G41-8	DKP180RMJ INDICATION LABEL		1			
A11	804G42-6	DKP180RMJ PLASTIC CASE LABEL		2			
A06-2	197280-8	BATTERY BL1850B SET		2	*		
A06-3	197280-8	BATTERY BL1850B SET	O	2			
A10	808W81-4	DKP180RTJ INDICATION LABEL		1			
A11	808W82-2	DKP180RTJ PLASTIC CASE LABEL		2			

Please state Parts No. when your order.

Print Date 08/28/2024