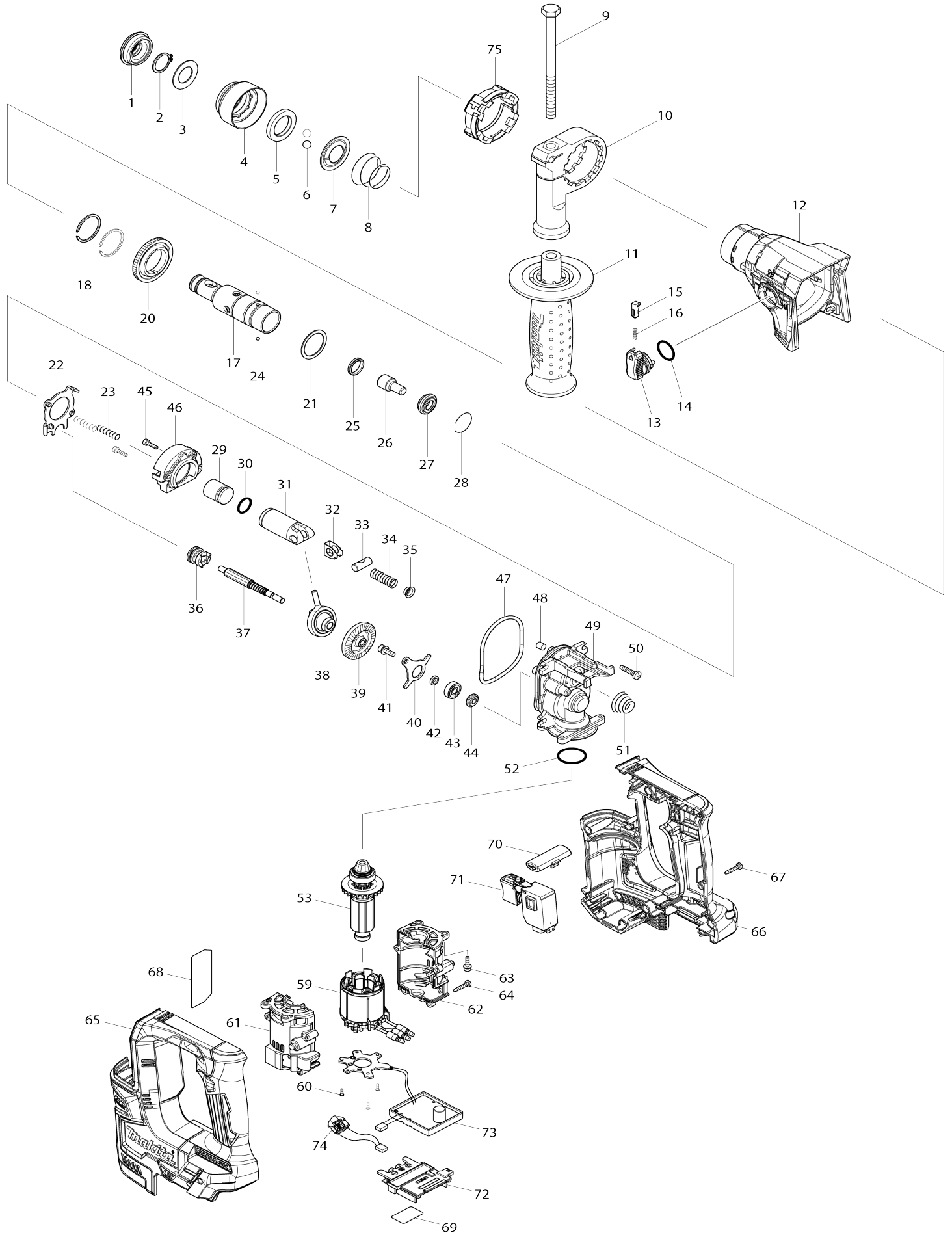


Model No.DHR171 17MM CORDLESS ROTARY HAMMER



Model No.DHR171 17MM CORDLESS ROTARY HAMMER

Item No.	Parts No.	Description	Interchangability	Q'ty	New/Old	Note1	Note2
001	286037-3	CAP 34		1			
002	961057-5	RETAINING RING S-17		1			
003	253377-4	FLAT WASHER 17		1			
004	457214-6	CHUCK COVER		1			
005	257416-2	RING 21		1			
006	216022-2	STEEL BALL 7.0		2			
007	346177-0	GUIDE WASHER		1			
008	232347-6	CONICAL COMP. SPRING 21-29		1			
009	921923-8	HEX. BOLT M8X120		1			
010	417911-6	GRIP BASE		1			
011	158057-6	GRIP 36 COMPLETE		1			
C10	931402-8	HEX. NUT M8		1			
012	144218-4	GEAR HOUSING COMPLETE		1			
C10	211375-4	BALL BEARING 6805LLB		1	*		
C11	210329-8	BALL BEARING 6805LLB	O	1			
C20	213788-5	OIL SEAL 25		1			
013	161569-0	CHANGE LEVER COMPLETE		1			
014	213278-8	O RING 17		1			
015	161568-2	LOCK BUTTON COMPLETE		1			
016	232344-2	COMPRESSION SPRING 3		1			
017	326841-9	TOOL HOLDER		1	*		
017-1	326841-9	TOOL HOLDER	O	1			
018	961135-1	RETAINING(EXT) WR-25		2			
020	221483-3	SPUR GEAR 57		1			
021	267175-0	FLAT WASHER 24		1			
022	161570-5	CHANGE PLATE COMPLETE		1			
023	233194-8	COMPRESSION SPRING 4		2			
024	216019-1	STEEL BALL 3		2			
025	213183-9	X RING 13		1			
026	326843-5	IMPACT BOLT		1			
027	326842-7	RING 10		1			
028	232343-4	RING SPRING 23		1			
029	327007-4	STRIKER		1			
030	213128-7	O RING 12		1			
031	319510-9	PISTON CYLINDER		1			
032	347101-6	GUIDE PLATE		1			
033	326846-9	PISTON JOINT		1			
034	232346-8	COMPRESSION SPRING 8		1			
035	347102-4	SPRING GUIDE		1			
036	326845-1	CLUTCH CAM		1			
037	221482-5	SPUR GEAR 8		1			
038	219026-3	SWASH BEARING 6		1			
039	221481-7	SPIRAL BEVEL GEAR 37		1			
040	347100-8	BEARING RETAINER		1			
041	266273-7	HEX. SOCKET HEAD BOLT M4X12		1			
042	257415-4	RING 5		1			
043	210065-6	BALL BEARING 625ZZ		1	*		

043-1	210327-2	BALL BEARING 625ZZ	O	1		
044	326847-7	RING 5		1		
045	265910-0	HEX. SOCKET HEAD BOLT M3X12		2		
046	144219-2	INNER SUPPORT COMPLETE		1		
047	213092-2	O-RING 60		1	*	
047-1	213889-9	O-RING 58	<	1		
048	443138-2	FILTER		1		
049	319508-6	INNER HOUSING		1	*	
049-1	140N37-0	INNER HOUSING COMPLETE	<	1	*	
049-2	312B69-7	INNER HOUSING	<	1		
050	265995-6	TAPPING SCREW 4X18		4		
051	232345-0	CONICAL COMP. SPRING 8-19		1		
052	213008-7	O RING 22.4		1		
053	619421-1	ROTOR		1	*	
053-1	619421-1	ROTOR	O	1		
059	629283-9	STATOR		1		
060	266490-9	TAPPING SCREW PT 2X6		3		
061	183G09-0	MOTOR CASE SET		1		
061		INC. 62				
062	183G09-0	MOTOR CASE SET		1		
062		INC. 61				
063	251510-2	H. S. HEAD BOLT M3X12 WITH W RM		4		
064	266130-9	TAPPING SCREW BIND PT 3X16		4		
065	183H25-8	HOUSING SET		1		
C10	252126-6	HEX. LOCK NUT M4-7		2		
C20	262182-8	RUBBER RING 6		2		
C30	263005-3	RUBBER PIN 6		2		
065		INC. 66				
066	183H25-8	HOUSING SET		1		
C10	252126-6	HEX. LOCK NUT M4-7		2		
C20	262182-8	RUBBER RING 6		2		
C30	263005-3	RUBBER PIN 6		2		
066		INC. 65				
067	266130-9	TAPPING SCREW BIND PT 3X16		9		
068	853R59-2	DHR171 NAME PLATE		1		
069	853R80-1	DHR171 SERIAL NO. LABEL		1		
070	457210-4	F/R CHANGE LEVER		1		
071	650689-0	SWITCH C3JW-2B		1	*	
071-1	650005-6	SWITCH TGRK1-1	O	1		
072	643874-2	TERMINAL		1		
073	620746-8	CONTROLLER		1		
074	620747-6	LED CIRCUIT		1		
A01	415486-9	DEPTH GAUGE		1		
A09-1	197280-8	BATTERY BL1850B SET		1		
B01	198564-7	HAMMER SERVICE KIT		1		
C10	195127-0	OIL VESSEL SET		1		
B01		INC. 1,2,6,25,28,30				
E01	818S14-7	CLEAR LABEL		1	*	
F13	199245-6	DUSTCUP SET		1		
G12	1914X3-8	DUST EXTRACTION PAD SET		1		

Please state Parts No. when your order.

Print Date 12/02/2024