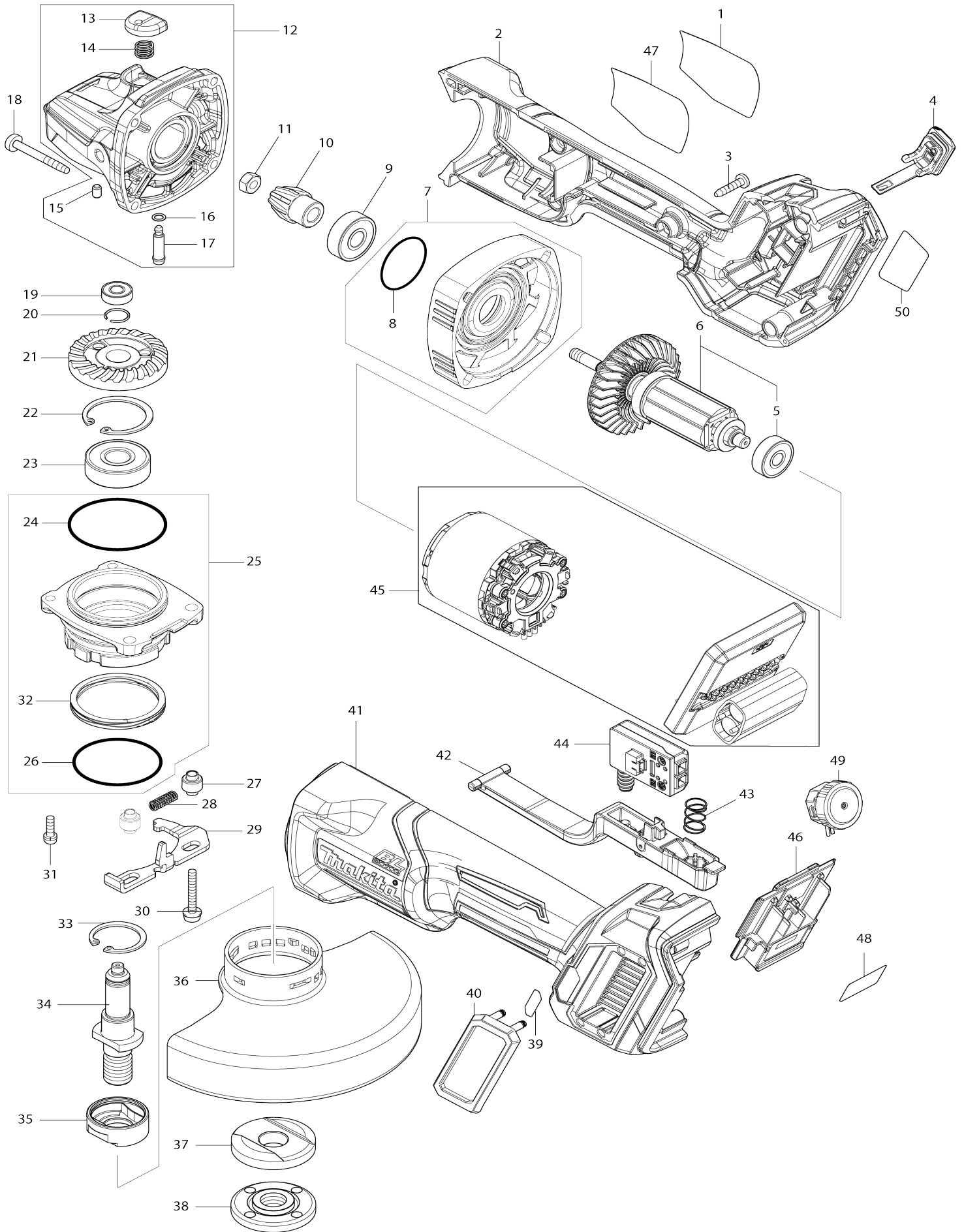


Model No.GA029G 125MM CORDLESS ANGLE GRINDER



Model No.GA029G 125MM CORDLESS ANGLE GRINDER

| Item No. | Parts No. | Description | Interc hang eabilit y | Q'ty | New/ Old | Note1 | Note2 |
|----------|-----------|--------------------------|-----------------------|------|----------|-------|-------|
| 001 | 8008U5-3 | CLEAR LABEL | | 1 | * | | |
| 002 | 183P78-5 | MOTOR HOUSING SET | | 1 | | | |
| C10 | 263005-3 | RUBBER PIN 6 | | 2 | | | |
| 002 | | INC. 41 | | | | | |
| 003 | 266326-2 | TAPPING SCREW 4X18 | | 5 | | | |
| 004 | 140G30-2 | CAP COMPLETE | | 1 | | | |
| C10 | 213218-6 | O RING 16 | | 1 | * | | |
| C11 | 213A05-9 | O-RING16 | O | 1 | | | |
| C20 | 818H48-4 | CAP LABEL | | 1 | | | |
| 005 | 210023-2 | BALL BEARING 627DDW | | 1 | * | | |
| 005-1 | 210325-6 | BALL BEARING 627DDW | < | 1 | | | |
| 006 | 519595-7 | ROTOR ASS'Y | | 1 | * | | |
| 006 | | INC. 5 | | | * | | |
| 006-1 | 510614-2 | ROTOR ASS'Y | < | 1 | | | |
| 006-1 | | INC. 5 | | | | | |
| 007 | 136190-4 | GEAR HOUSING COVER ASS'Y | | 1 | | | |
| 007 | | INC. 8 | | | | | |
| 008 | 213445-5 | O-RING 26 | | 1 | | | |
| 009 | 210042-8 | BALL BEARING 629LLB | | 1 | | | |
| 010 | 226976-5 | SPIRAL BEVEL GEAR 10 | | 1 | | | |
| 011 | 252186-8 | HEX. NUT M6 | | 1 | | | |
| 012 | 136198-8 | GEAR HOUSING ASS'Y | | 1 | | | |
| 012 | | INC. 13-17 | | | | | |
| 013 | 412234-7 | PIN CAP | | 1 | | | |
| 014 | 233072-2 | COMPRESSION SPRING 8 | | 1 | | | |
| 015 | 263002-9 | RUBBER PIN 4 | | 1 | | | |
| 016 | 213960-9 | O RING 5 | | 1 | | | |
| 017 | 256546-6 | SHOULDER PIN 4 | | 1 | | | |
| 018 | 266048-4 | TAPPING SCREW 4X40 | | 4 | | | |
| 019 | 210033-9 | BALL BEARING 696ZZ | | 1 | | | |
| 020 | 233950-6 | RING SPRING 11 | | 1 | | | |
| 021 | 226862-0 | SPIRAL BEVEL GEAR 37 | | 1 | | | |
| 022 | 962151-6 | RETAINING RING R-32 | | 1 | | | |
| 023 | 211129-9 | BALL BEARING 6201DDW | | 1 | | | |
| 024 | 213622-9 | O RING 45 | | 1 | * | | |
| 024-1 | 213622-9 | O RING 45 | O | 1 | | | |
| 025 | 136262-5 | BEARING BOX ASS'Y | | 1 | | | |
| 025 | | INC. 24,26,32 | | | | | |
| 026 | 213510-0 | O RING 36 | | 1 | | | |
| 027 | 327322-6 | SLEEVE 4 | | 2 | | | |
| 028 | 232490-1 | COMPRESSION SPRING 4 | | 1 | | | |
| 029 | 347641-4 | LEVER B | | 1 | | | |
| 030 | 911159-7 | PAN HEAD SCREW M4X30 | | 2 | | | |
| 031 | 911138-5 | P.H.SCREW M4X20 WITH WR | | 2 | | | |
| 032 | 232542-8 | COILED WAVE SPRING 41 | | 1 | * | | |
| 032-1 | 232542-8 | COILED WAVE SPRING 41 | O | 1 | | | |
| 033 | 962105-3 | RETAINING RING R-26 | | 1 | | | |

| | | | | | | |
|-------|-----------|---------------------------------|---|---|---|--|
| 034 | 326672-6 | SPINDLE | | 1 | | |
| 035 | 310514-4 | LEAD FLANGE | | 1 | | |
| 036 | 347480-2 | WHEEL COVER 125 | | 1 | * | |
| 036-1 | 141P46-4 | WHEEL COVER 125 COMPLETE | < | 1 | | |
| C10 | 8050A1-8 | CAUTION LABEL | | 1 | | |
| 037 | 224447-6 | INNER FLANGE 42B | | 1 | | |
| 038 | 224554-5 | LOCK NUT 14-45 | | 1 | | |
| 039 | 8005T5-8 | XGT LOGO LABEL | | 1 | | |
| 040 | 422610-7 | DUST COVER | | 1 | | |
| 041 | 183P78-5 | MOTOR HOUSING SET | | 1 | | |
| C10 | 263005-3 | RUBBER PIN 6 | | 2 | | |
| 041 | | INC. 2 | | | | |
| 042 | 140T33-4 | SWITCH LEVER COMPLETE | | 1 | | |
| 043 | 233263-5 | COMPRESSION SPRING 9 | | 1 | | |
| 044 | 651083-9 | SWITCH C3XA-1PSPM | | 1 | | |
| 045 | 629A00-3 | STATOR COMPLETE | | 1 | | |
| 046 | 632P65-6 | TERMINAL UNIT | | 1 | | |
| 047 | 857H80-3 | GA029G NAME PLATE | | 1 | | |
| 048 | 857H86-1 | GA029G SERIAL NO. LABEL | | 1 | | |
| 049 | 620D30-5 | DIAL CIRCUIT | | 1 | | |
| 050 | 8015J1-9 | INDICATION LABEL | | 1 | | |
| A01 | 158237-4 | GRIP 36 COMPLETE | | 1 | | |
| A02 | A-80656 | GRINDING WHEEL 125 WA36N | | 1 | | |
| A03 | 782423-1 | LOCK NUT WRENCH 35 | | 1 | | |
| A04 | 412393-7 | BATTERY COVER | | 2 | | |
| A05 | ***DC40RA | DC40RA FAST CHARGER | | 1 | | |
| A05 | | COMPO-PARTS | | | | |
| A06 | 191B26-6 | BATTERY BL4040 SET | | 2 | | |
| A07 | 821552-6 | CONNECTOR PLASTIC CASE (TYP E4) | | 1 | | |
| C10 | 453974-8 | LATCH | | 4 | | |
| A08 | 8017W0-4 | GA029GM201 PLASTIC CASE LABEL | | 2 | | |
| A09 | 8017V9-9 | GA029GM201 INDICATION LABEL | | 1 | * | |
| A10 | 835E79-0 | INNER TRAY | | 1 | | |
| A12 | 199710-5 | CUTTING W.C.A. 125 SET | | 1 | | |
| F07 | 194514-0 | VIBRATION PROOF GRIP SET | | 1 | | |
| F13 | 191W05-0 | 115/125MM DUST COVER SET | | 1 | | |
| C10 | 743129-6 | BRUSH A | | 1 | | |
| C20 | 743130-1 | BRUSH B | | 1 | | |
| F19 | 1910Y0-7 | WHEEL COVER 125C SET | | 1 | | |

Please state Parts No. when your order.

Print Date 17/10/2024