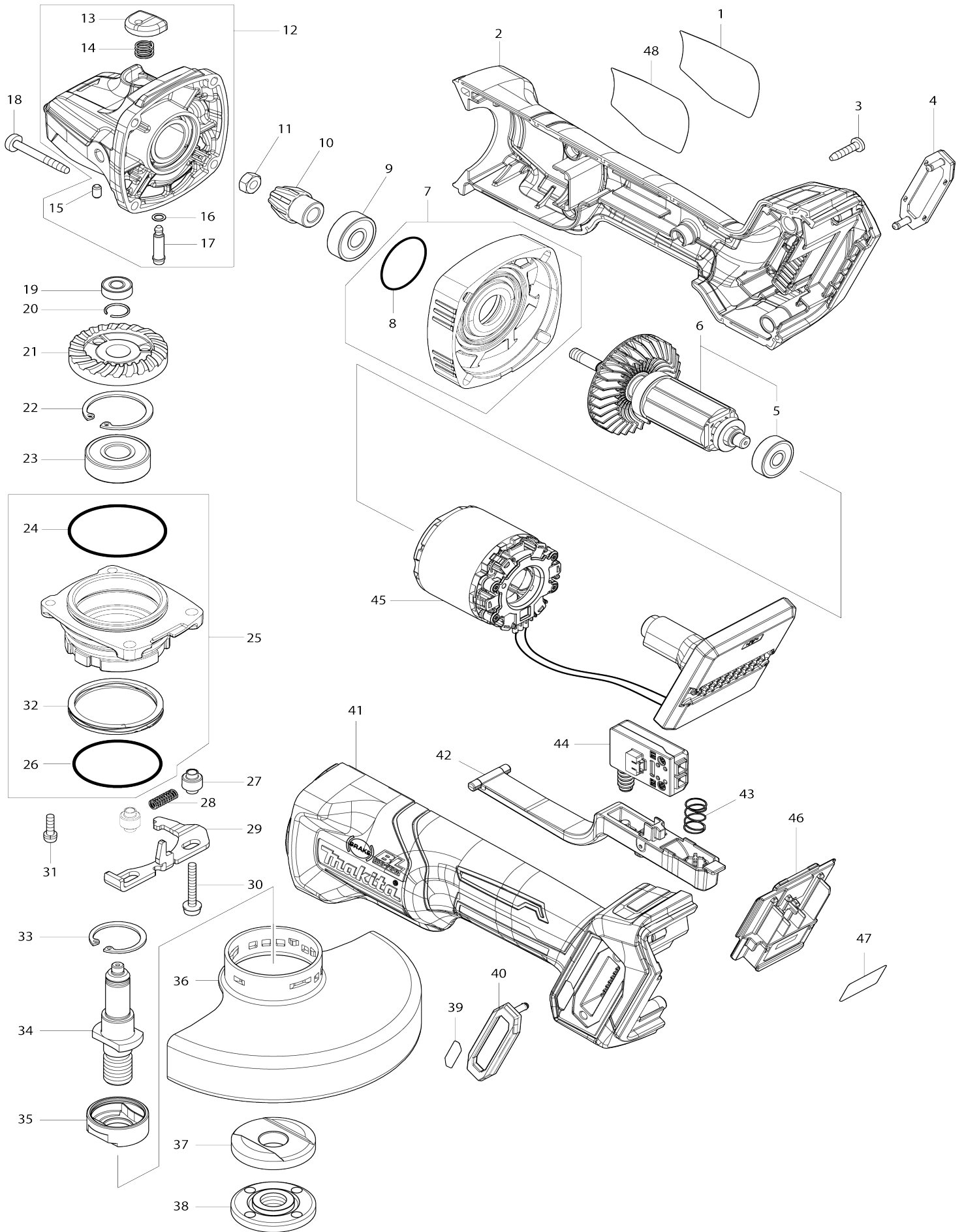


Model No.GA013G 125MM CORDLESS ANGLE GRINDER



Model No.GA013G 125MM CORDLESS ANGLE GRINDER

Item No.	Parts No.	Description	Interchangability	Q'ty	New/Old	Note1	Note2
001	8008U5-3	CLEAR LABEL		1	*		
002	183P29-8	MOTOR HOUSING SET		1			
C10	263005-3	RUBBER PIN 6		2			
002		INC. 41					
003	266326-2	TAPPING SCREW 4X18		5			
004	422563-0	DUST COVER		1			
005	210023-2	BALL BEARING 627DDW		1	*		
005-1	210325-6	BALL BEARING 627DDW	<	1			
006	519595-7	ROTOR ASS'Y		1	*		
006		INC. 5			*		
006-1	510614-2	ROTOR ASS'Y	<	1			
006-1		INC. 5					
007	136190-4	GEAR HOUSING COVER ASS'Y		1			
007		INC. 8					
008	213445-5	O-RING 26		1			
009	210042-8	BALL BEARING 629LLB		1			
010	226976-5	SPIRAL BEVEL GEAR 10		1			
011	252186-8	HEX. NUT M6		1			
012	136198-8	GEAR HOUSING ASS'Y		1			
012		INC. 13-17					
013	412234-7	PIN CAP		1			
014	233072-2	COMPRESSION SPRING 8		1			
015	263002-9	RUBBER PIN 4		1			
016	213960-9	O RING 5		1			
017	256546-6	SHOULDER PIN 4		1			
018	266048-4	TAPPING SCREW 4X40		4			
019	210033-9	BALL BEARING 696ZZ		1			
020	233950-6	RING SPRING 11		1			
021	226862-0	SPIRAL BEVEL GEAR 37		1			
022	962151-6	RETAINING RING R-32		1			
023	211129-9	BALL BEARING 6201DDW		1			
024	213622-9	O RING 45		1	*		
024-1	213622-9	O RING 45	O	1			
025	136262-5	BEARING BOX ASS'Y		1			
025		INC. 24,26,32					
026	213510-0	O RING 36		1			
027	327322-6	SLEEVE 4		2			
028	232490-1	COMPRESSION SPRING 4		1			
029	347641-4	LEVER B		1			
030	911159-7	PAN HEAD SCREW M4X30		2			
031	911138-5	P.H.SCREW M4X20 WITH WR		2			
032	232542-8	COILED WAVE SPRING 41		1	*		
032-1	232542-8	COILED WAVE SPRING 41	O	1			
033	962105-3	RETAINING RING R-26		1			
034	326672-6	SPINDLE		1			
035	310514-4	LEAD FLANGE		1			
036	347480-2	WHEEL COVER 125		1	*		

036-1	141P46-4	WHEEL COVER 125 COMPLETE	<	1		
C10	8050A1-8	CAUTION LABEL		1		
037	224447-6	INNER FLANGE 42B		1		
038	224554-5	LOCK NUT 14-45		1		
039	8007R2-2	XGT LOGO LABEL		1		
040	422563-0	DUST COVER		1		
041	183P29-8	MOTOR HOUSING SET		1		
C10	263005-3	RUBBER PIN 6		2		
041		INC. 2				
042	140T33-4	SWITCH LEVER COMPLETE		1		
043	233263-5	COMPRESSION SPRING 9		1		
044	651083-9	SWITCH C3XA-1PSPM		1		
045	629480-7	STATOR COMPLETE		1		
046	632P65-6	TERMINAL UNIT		1		
047	856Y42-0	GA013G SERIAL NO. LABEL		1		
048	856Y36-5	GA013G NAME PLATE		1		
A01	158237-4	GRIP 36 COMPLETE		1		
A02	A-80656	GRINDING WHEEL 125 WA36N		1		
A03	782423-1	LOCK NUT WRENCH 35		1		
A04	412393-7	BATTERY COVER		2		
A05	***DC40RA	DC40RA FAST CHARGER		1		
A05		COMPO-PARTS				
A06	191B26-6	BATTERY BL4040 SET		2		
A07	821552-6	CONNECTOR PLASTIC CASE (TYP E4)		1		
C10	453974-8	LATCH		4		
A08	8013M9-2	GA013GM201 INDICATION LABEL		1	*	
A09	8013N0-7	GA013GM201 PLASTIC CASE LABEL		2		
A10	835E79-0	INNER TRAY		1		
A12	199710-5	CUTTING W.C.A. 125 SET		1		
F07	194514-0	VIBRATION PROOF GRIP SET		1		
F13	191W05-0	115/125MM DUST COVER SET		1		
C10	743129-6	BRUSH A		1		
C20	743130-1	BRUSH B		1		
F19	1910Y0-7	WHEEL COVER 125C SET		1		

Please state Parts No. when your order.

Print Date 17/10/2024