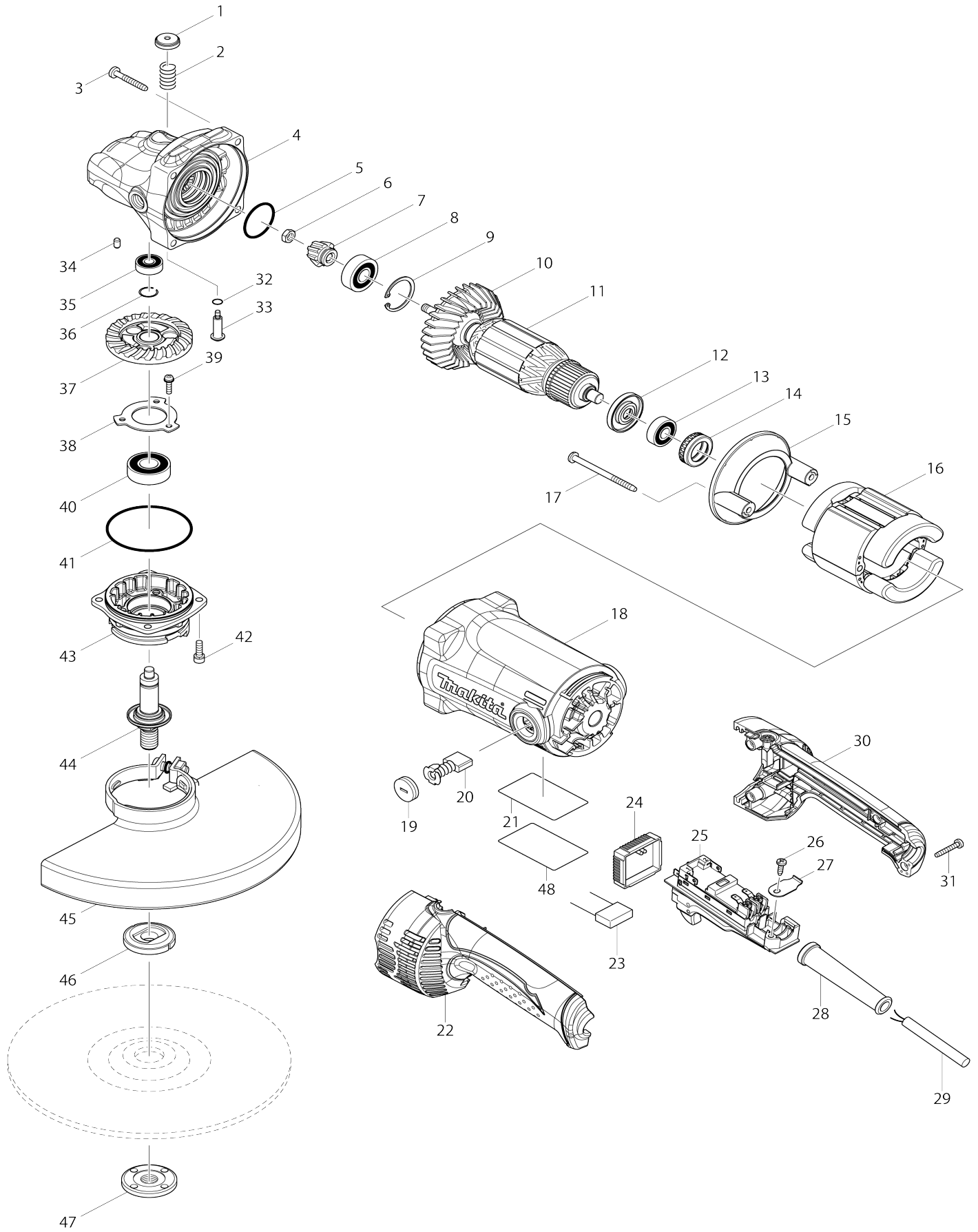


# Model No.GA9050R 230MM ANGLE GRINDER



Model No.GA9050R 230MM ANGLE GRINDER

Item No.	Parts No.	Description	Interchangability	Q'ty	New/Old	Note1	Note2
001	451485-7	PIN CAP		1			
002	233292-8	COMPRESSION SPRING 12		1			
003	266373-3	TAPPING SCREW 5X35		4	*		
003-1	266012-5	TAPPING SCREW 5X35	O	4	*		
003-2	265B72-6	TAPPING SCREW 5X35	O	4			
004	140223-9	GEAR HOUSING COMPLETE		1	*		
C10	262153-5	FELT RING 16		1	*		
004-1	143016-3	GEAR HOUSING COMPLETE	<	1			
C10	262153-5	FELT RING 16		1			
005	213487-9	O RING 31		1	*		
005-1	213883-1	O-RING 31	O	1			
006	264010-3	HEX.NUT M7		1			
007	227563-3	SPIRAL BEVEL GEAR 10B		1			
008	211129-9	BALL BEARING 6201DDW		1	*		
008-1	211137-0	BALL BEARING 6201LLU	<	1			
009	257965-9	RETAINING RING (INT) R-32		1			
010	240120-0	FAN 80		1			
011	518747-7	ARMATURE ASSEMBLY 240V		1			
011		INC. 10,12,13					
012	681657-2	INSULATION WASHER		1			
013	210059-1	BALL BEARING 6000DDW		1			
014	421490-8	RUBBER RING 26		1			
015	451480-7	BAFFLE PLATE		1			
016	527700-2	FIELD ASSEMBLY 240V		1			
C10	654098-5	RECEPTACLE		2			
017	266389-8	TAPPING SCREW 5X70		2	*		
017-1	265D35-4	TAPPING SCREW 5X70	O	2			
018	140222-1	MOTOR HOUSING COMPLETE		1			
C10	643707-1	BRUSH HOLDER		2			
019	643700-5	BRUSH HOLDER CAP 7-18		2			
020	191957-7	A.C. CARBON BRUSH CB-204		1	*		
020-1	194992-4	CARBON BRUSH SET CB-204	O	1			
021	867573-4	GA9050R NAME PLATE		1			
022	188849-9	HANDLE SET		1			
C10	423404-3	SPONGE SHEET		1			
C20	451488-1	LENS		1			
022		INC. 30					
023	645088-9	NOISE SUPPRESSOR		1	*		
023-1	645088-9	NOISE SUPPRESSOR	O	1			
024	631944-9	CONTROLLER		1	*		
024-1	620L57-3	CONTROLLER	<	1			
025	650107-8	SWITCH TG08-2300-013		1			
026	266385-6	TAPPING SCREW 4X14		1	*		
026-1	266192-7	TAPPING SCREW 4X14	O	1	*		
026-2	265B74-2	TAPPING SCREW 4X14	O	1			
027	687169-3	STRAIN RELIEF		1			
028	682574-9	CORD GUARD 10-90		1			

029	665865-3	POWER SUPPLY CORD 1.0-2-2.5		1		
030	188849-9	HANDLE SET		1		
C10	423404-3	SPONGE SHEET		1		
C20	451488-1	LENS		1		
030		INC. 22				
031	266374-1	TAPPING SCREW 4X25		4	*	
031-1	265999-8	TAPPING SCREW 4X25	O	4	*	
031-2	265B73-4	TAPPING SCREW 4X25	O	4		
032	213026-5	O RING 7		1	*	
032-1	213A14-8	O-RING7	O	1		
033	256516-5	SHOULDER PIN 11		1		
034	263002-9	RUBBER PIN 4		1		
035	210029-0	BALL BEARING 608ZZ		1		
036	233925-5	RING SPRING 13		1		
037	227561-7	SPIRAL BEVEL GEAR 49		1		
038	285851-4	BEARING RETAINER		1		
039	911128-8	P.H.SCREW M4X16 WITH WR		3		
040	211241-5	BALL BEARING 6202DDW		1		
041	213720-9	O RING 67		1		
042	922221-3	HEX. SOCKET HEAD BOLT M5X16		4		
043	318523-7	BEARING BOX		1		
044	140224-7	SPINDLE COMPLETE A		1		
C10	346166-5	LABYRINTH RING 23		1		
045	122891-0	WHEEL COVER 230K ASSEMBLY		1	*	
C10	213017-6	O RING 6		1	*	
C11	213775-4	O-RING 7	O	1	*	
C20	265198-2	+PAN HEAD SCREW M8X25		1	*	
045-1	141P32-5	WHEEL COVER 230K COMPLETE	<	1	*	
C11	213775-4	O-RING 7	O	1	*	
C20	265198-2	+PAN HEAD SCREW M8X25		1	*	
C30	8050A1-8	CAUTION LABEL		1	*	
045-2	122891-0	WHEEL COVER 230K ASSEMBLY	<	1	*	
C11	213775-4	O-RING 7	O	1	*	
C20	265198-2	+PAN HEAD SCREW M8X25		1	*	
045-3	141P32-5	WHEEL COVER 230K COMPLETE	<	1	*	
C11	213775-4	O-RING 7	O	1	*	
C20	265198-2	+PAN HEAD SCREW M8X25		1	*	
C30	8050A1-8	CAUTION LABEL		1	*	
045-4	141P32-5	WHEEL COVER 230K COMPLETE	O	1		
C11	213775-4	O-RING 7	O	1		
C20	265198-2	+PAN HEAD SCREW M8X25		1		
C30	8050A1-8	CAUTION LABEL		1		
046	224415-9	INNER FLANGE 42		1		
046	122444-5	INNER FLANGE 47 ASS'Y		1		
047	224543-0	LOCK NUT 14-45		1		
048	819392-4	CLEAR LABEL		1	*	
048-1	892805-0	CLEAR LABEL		1	*	
048-2	805W68-7	CLEAR LABEL	O	1	*	
A01	152539-0	GRIP 36 COMPLETE		1		
A01	162264-5	VIBRATION PROOF GRIP		1		
A02	782407-9	LOCK NUT WRENCH 35		1	*	
A02-1	197610-3	LOCK NUT WRENCH 35 SET	O	1		

A06	122913-6	WHEEL COVER 230CK ASSEMBLY		1	*		
C10	213017-6	O RING 6		1	*		
C20	265198-2	+PAN HEAD SCREW M8X25		1	*		
A06-1	122913-6	WHEEL COVER 230CK ASSEMBLY		1			
F02	192227-7	SUPER FLANGE		1			
F45	191X44-6	180MM DUST COLLECT COVER K SET		1			

Please state Parts No. when your order.

Print Date 02/10/2024