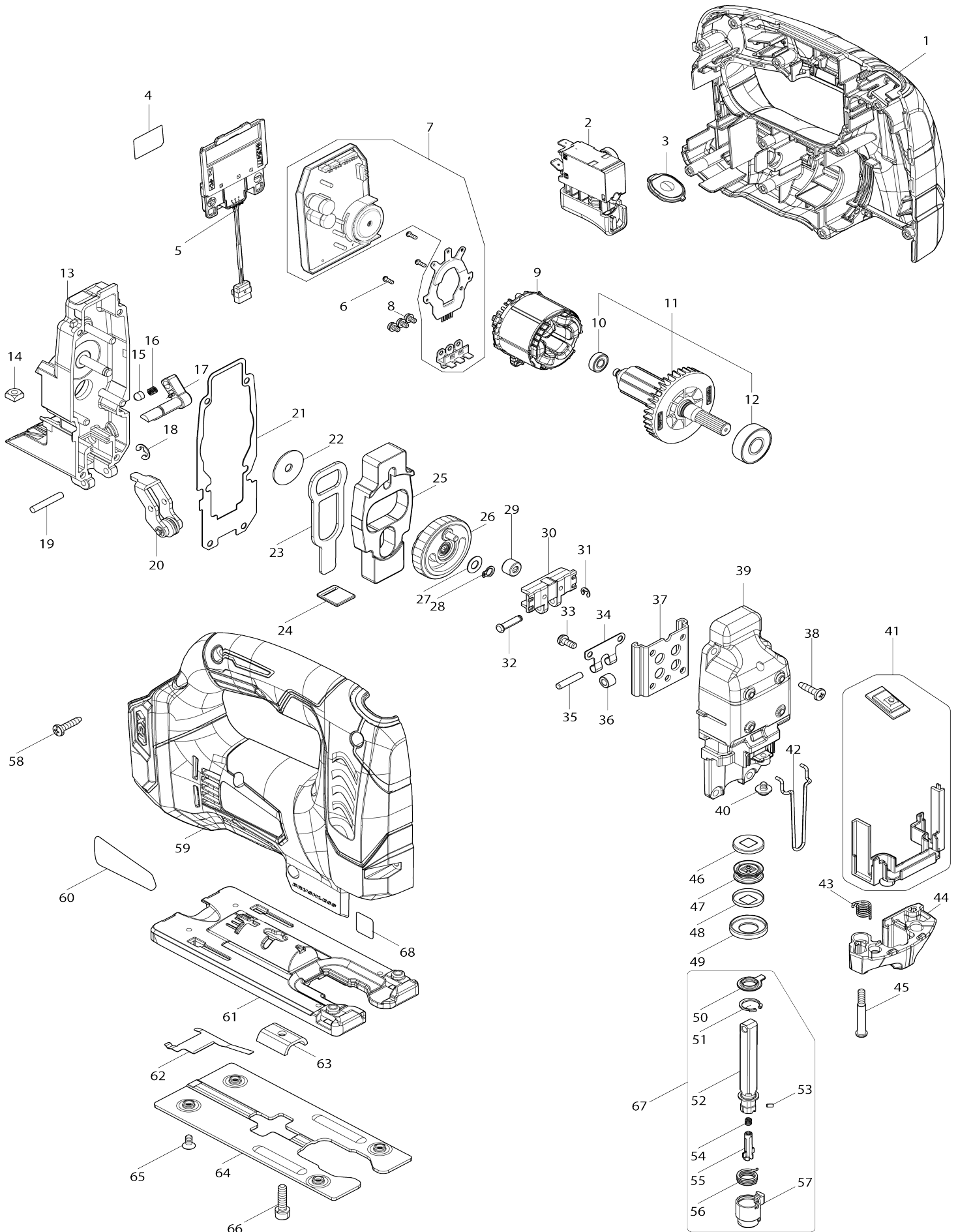


Model No. JV002G CORDLESS JIG SAW



Model No. JV002G CORDLESS JIG SAW

Item No.	Parts No.	Description	Interchangeability	Q'ty	New/Old	Note1	Note2
C10	181490-7	HAMMER GREASE 30G		2	*		
C11	1914C5-7	GREASE SET	O	2			
D10		INC. 1,2,5,7,22,26,27,29,31,					
001	1830C6-5	HOUSING SET		1			
C10	263005-3	RUBBER PIN 6		2			
D10		INC. 59					
002	650025-0	SWITCH C3JW-4B-2AL-R		1			
003	141U73-1	SWITCH PLATE COMPLETE		1			
004	8142W2-1	JV002G SERIAL NO.LABEL		1			
005	632P64-8	TERMINAL UNIT		1			
006	266490-9	TAPPING SCREW PT 2X6		3			
007	620N14-3	CONTROLLER		1			
008	652069-6	FLAT HEAD SCREW M3X6		3			
009	629B64-3	STATOR		1			
010	210039-7	BALL BEARING 695DDW		1			
011	519769-0	ROTOR ASSY		1			
D10		INC. 10,12					
012	210059-1	BALL BEARING 6000DDW		1			
013	142111-6	GEAR HOUSING COMPLETE		1			
014	252171-1	SQUARE NUT M5-8		1			
015	286032-3	CAP 5		1			
016	233139-6	COMPRESSION SPRING 3		1			
017	272280-0	LEVER 17		1			
018	961018-5	STOP RING E-5		1			
019	268063-4	PIN 4		1			
020	142110-8	RETAINER COMPLETE		1			
021	442195-7	GASKET		1			
022	253196-8	FLAT WASHER 6		1			
023	346688-5	PUSH PLATE		1			
024	454484-8	SEAL PLATE		1			
025	313260-8	BALANCE PLATE		1			
026	142109-3	GEAR COMPLETE		1			
027	253715-0	FLAT WASHER 6		1			
028	961002-0	RETAINING RING S-6		1			
029	212092-9	NEEDLE BEARING 407		1			
030	310837-0	SLIDER		1			
031	961017-7	STOP RING E-3		1			
032	268090-1	PIN 4		1			
033	911111-5	PAN HEAD SCREW M4X10 WITH W		4			
034	232207-2	LEAF SPRING		1			
035	256117-9	PIN 4		1			
036	214031-5	PLANE BEARING 4		1			
037	347B50-9	LINEAR GUIDE		1			
038	266034-5	TAPPING SCREW CT 4X16		4			
039	141R27-0	GEAR HOUSING COVER COMPLETE		1			
040	911104-2	PAN HEAD SCREW M4X6		1	*		

040-1	265132-2	+ PAN HEAD SCREW M4X5	O	1		
041	620N15-1	SWITCH UNIT		1		
042	326302-9	SAFETY WIRE		1		
043	231659-4	TORSION SPRING 6		1		
044	454483-0	TOOL OPENER		1		
045	265026-1	+ PAN HEAD SCREW M4		1		
046	267854-0	CAP WASHER 8		1		
047	421815-6	DUST SEAL 8		1		
048	267854-0	CAP WASHER 8		1		
049	257347-5	RING 21		1		
050	424569-4	DUST COVER		1		
051	962063-3	RETAINING RING R-13		1		
052	165724-6	ROD		1		
053	256528-8	PIN 2		1		
054	233314-4	COMPRESSION SPRING 4		1		
055	310485-5	LOCK PIN		1		
056	233591-8	TORSION SPRING 10		1		
057	310547-9	BLADE HOLDER		1		
058	265995-6	TAPPING SCREW 4X18		10		
059	1830C6-5	HOUSING SET		1		
C10	263005-3	RUBBER PIN 6		2		
D10		INC. 1				
060	8142W0-5	JV002G NAME PLATE		1		
061	312D19-4	BASE		1		
062	232208-0	LEAF SPRING		1		
063	345237-5	CRANK PLATE		1		
064	347A23-6	BASE PLATE		1		
065	265085-5	+ COUNTERSUNK HEAD SCREW M4X8		4		
066	922231-0	HEX. SOCKET HEAD BOLT M5X20		1		
067	135602-4	ROD ASS'Y		1		
D10		INC. 50-57				
A01	122C71-6	DUST NOZZLE ASSEMBLY		1		
C10	213023-1	O RING 4		1		
C20	265772-6	THUMB SCREW M5X15		1		
A02	413J99-0	COVER PLATE		1		
A03	415524-7	ANTI-SPLINTERING DEVICE		1		
A04	783202-0	HEX. WRENCH 4		1		
A05	A-85737	JIGSAW BLADE NO.B22		1		
A06	A-85628	JIGSAW BLADE NO.B10		1		
A07	A-85793	JIGSAW BLADE NO.BR13		1		
A08	821551-8	CONNECTOR PLASTIC CASE (TYP E3)		1		
C10	453974-8	LATCH		4		
A09	8359Y2-4	INNER TRAY		1		
A10	412393-7	BATTERY COVER		2		
A11	***DC40RA	DC40RA FAST CHARGER		1		
D10		COMPO-PARTS				
A12	191B26-6	BATTERY BL4040 SET		2		

Please state Parts No. when your order.

Print Date 06/10/2024