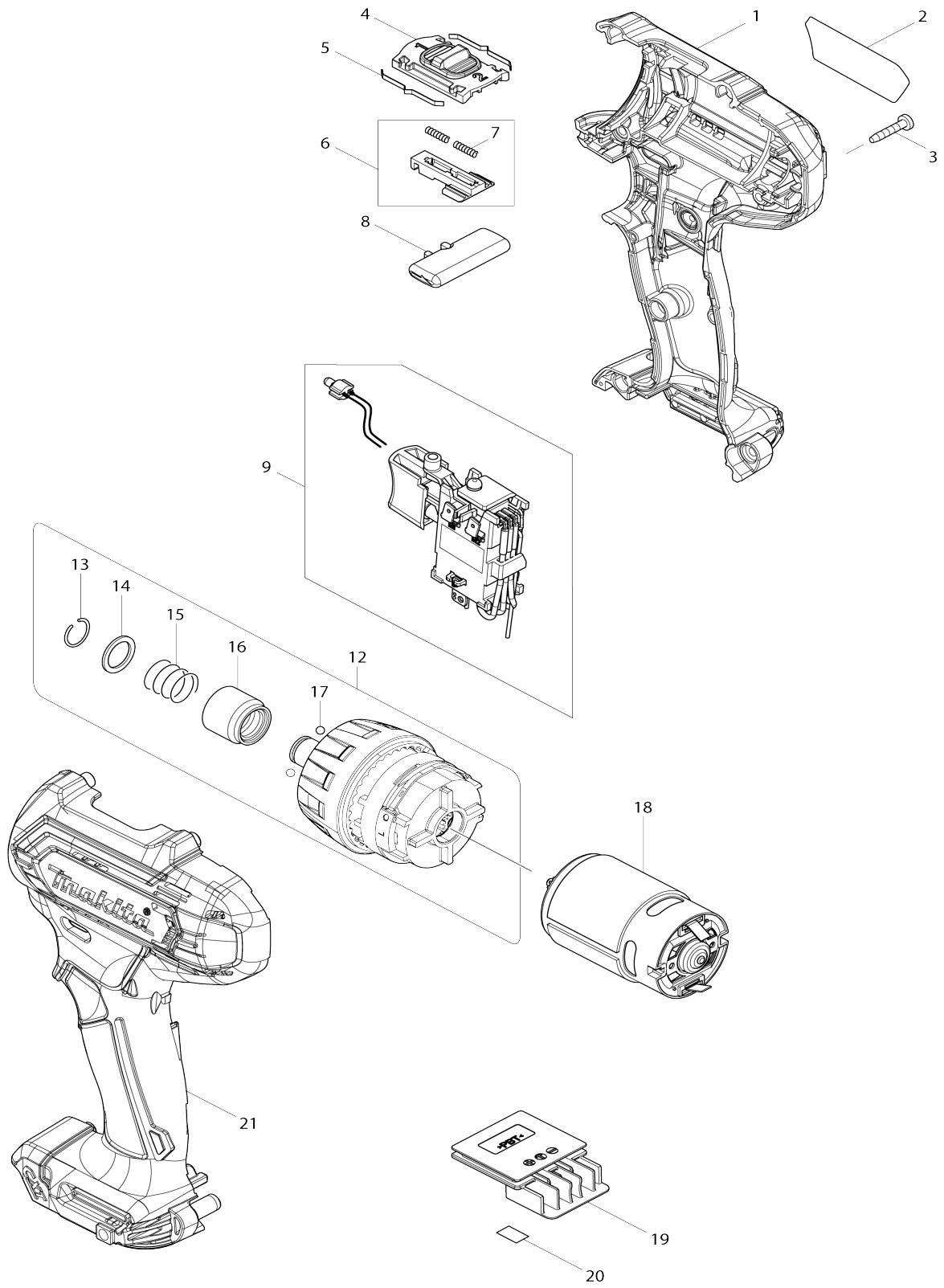


Model No.DF033D CORDLESS DRIVER DRILL



Model No.DF033D CORDLESS DRIVER DRILL

Item No.	Parts No.	Description	Interchangeability	Q'ty	New/Old	Note1	Note2
F01-1	191K57-9	TOOL HANGER SET	<	1			
001	183K90-5	HOUSING SET		1			
C10	252126-6	HEX. LOCK NUT M4-7		2			
D10		INC. 21					
002	855E57-4	DF033D NAME PLATE		1			
003	266429-2	TAPPING SCREW 3X16		9			
004	459026-3	SPEED CHANGE LEVER		1	*		
004-1	413F37-8	SPEED CHANGE LEVER	S	1			
005	232493-5	LEAF SPRING		2			
006	127127-2	CHANGE LEVER ASSEMBLY		1	*		
D10		INC. 7					
006-1	122B84-1	CHANGE LEVER ASSEMBLY	S	1			
D10		INC. 7					
007	233025-1	COMPRESSION SPRING 2		2			
008	456039-5	F/R CHANGE LEVER		1			
009	632J77-3	SWITCH UNIT		1			
C10	620625-0	LED CIRCUIT		1			
012	127126-4	GEAR ASSEMBLY N		1	*		
D10		INC. 13-17					
012-1	127126-4	GEAR ASSEMBLY N	O	1			
D10		INC. 13-17					
013	231965-7	RING SPRING 10		1			
014	347004-4	BIT WASHER		1			
015	233005-7	COMPRESSION SPRING 13		1			
016	326677-6	BIT SLEEVE		1			
017	216019-1	STEEL BALL 3		2			
018	629395-8	DC MOTOR		1			
019	644813-5	TERMINAL		1			
020	855E64-7	DF033D SERIAL NO. LABEL		1			
021	183K90-5	HOUSING SET		1			
C10	252126-6	HEX. LOCK NUT M4-7		2			
D10		INC. 1					
A01	251314-2	+ SCREW M4X12		1			
A02	346909-5	HOOK		1			
A03	784202-3	PHILLIPS BIT 2-45		1	*		
A03-1	784043-7	+BIT 2-45	O	1			
A04	821661-1	PLASTIC CARRYING CASE		1			
C10	417724-5	LATCH		2			
A05	818P12-3	DF033DSME MODEL NO. LABEL		1			
A08	456128-6	BATTERY COVER		1			
A09	***DC10SB	DC10SB BATTERY CHARGER		1			
D10		COMPO-PARTS					
A10	197406-2	BATTERY BL1041B SET		2	*		
A10-1	197406-2	BATTERY BL1041B SET	O	2			
F40	347C56-3	HOOK		1			
A05	818P08-4	DF033DSAE MODEL NO. LABEL		1			
A10	197396-9	BATTERY BL1021B SET		2	*		

A10-1	197396-9	BATTERY BL1021B SET	O	2		
A05	818P05-0	DF033DWYE MODEL NO. LABEL		1		
A09	***DC10WD	DC10WD BATTERY CHARGER		1		
A10	197393-5	BATTERY BL1016 SET		2		

Please state Parts No. when your order.

Print Date 05/10/2024