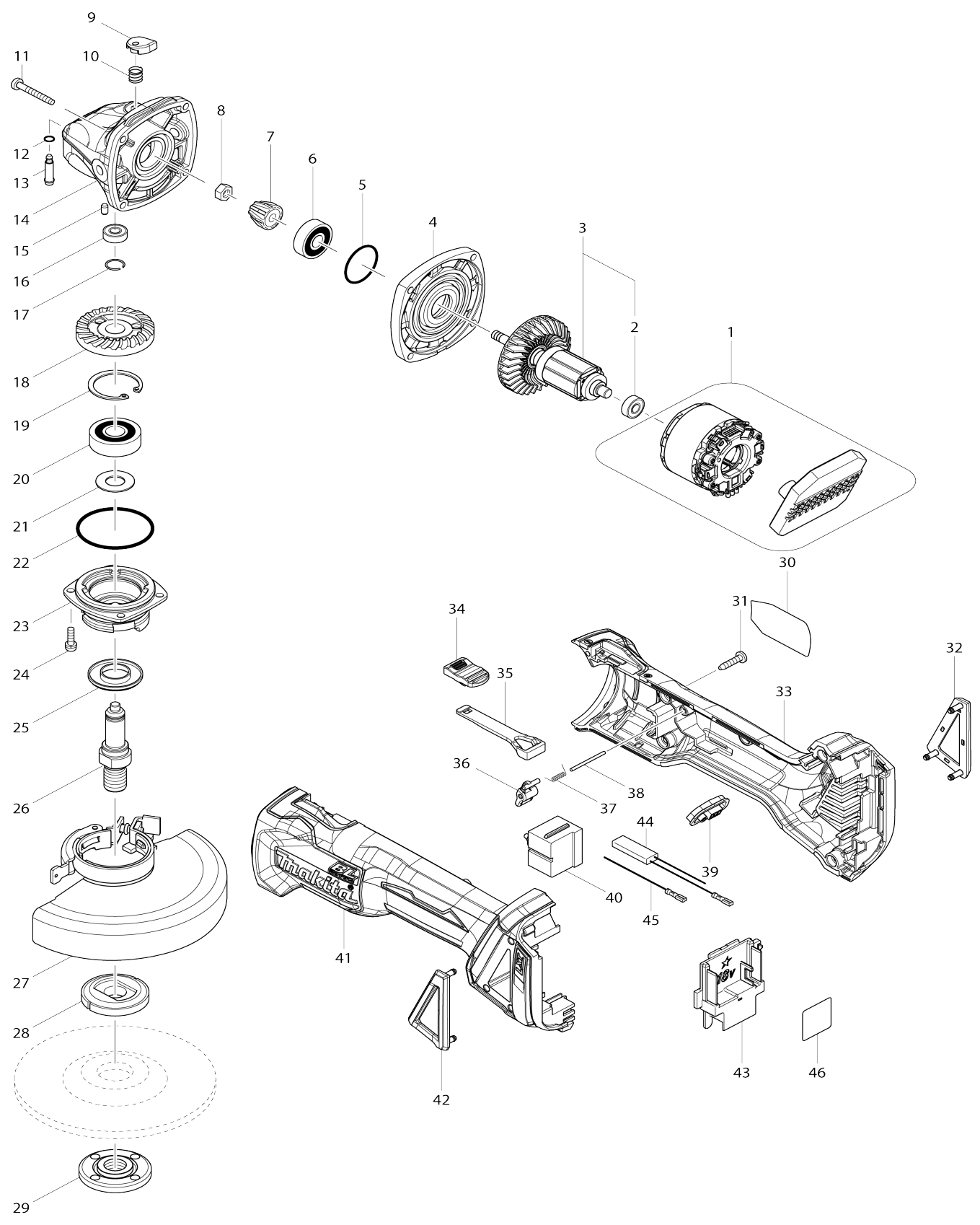


Model No.DGA504 125MM CORDLESS ANGLE GRINDER



Model No.DGA504 125MM CORDLESS ANGLE GRINDER

Item No.	Parts No.	Description	Interchangeability	Q'ty	New/Old	Note1	Note2
001	629140-1	STATOR COMPLETE		1	*		
C10	688131-1	LINE FILTER		1	*		
001-1	629173-6	STATOR COMPLETE	S	1	*		
001-2	629176-0	STATOR COMPLETE	O	1	*		
001-3	629173-6	STATOR COMPLETE	O	1	*		
001-4	629B61-9	STATOR	S	1			
002	210034-7	BALL BEARING 607LLB		1	*		
002-1	210169-4	BALL BEARING 607LLB	<	1			
003	519354-9	ROTOR ASS'Y		1	*		
003		INC. 2			*		
003-1	519378-5	ROTOR ASS'Y	O	1	*		
003-1		INC. 2			*		
003-2	510329-1	ROTOR ASS'Y	<	1	*		
003-2		INC. 2			*		
003-3	510329-1	ROTOR ASS'Y	O	1	*		
003-3		INC. 2			*		
003-4	510329-1	ROTOR ASS'Y	O	1			
003-4		INC. 2					
004	319214-3	GEAR HOUSING COVER		1			
005	213445-5	O-RING 26		1	*		
005-1	213407-3	O RING 26	O	1			
006	210042-8	BALL BEARING 629LLB		1			
007	227541-3	SPIRAL BEVEL GEAR 10		1	*		
007-1	226861-2	SPIRAL BEVEL GEAR 10	S	1			
008	252186-8	HEX. NUT M6		1			
009	417771-6	PIN CAP		1			
010	233072-2	COMPRESSION SPRING 8		1	*		
010-1	233376-2	COMPRESSION SPRING 8	O	1			
011	266361-0	TAPPING SCREW 4X30		4	*		
011-1	265B70-0	TAPPING SCREW 4X30	O	4			
012	213960-9	O RING 5		1			
013	256546-6	SHOULDER PIN 4		1			
014	319213-5	GEAR HOUSING		1			
015	263002-9	RUBBER PIN 4		1			
016	210033-9	BALL BEARING 696ZZ		1			
017	233950-6	RING SPRING 11		1			
018	227641-9	SPIRAL BEVEL GEAR 37		1	*		
018-1	226862-0	SPIRAL BEVEL GEAR 37	S	1			
019	962151-6	RETAINING RING R-32		1			
020	211129-9	BALL BEARING 6201DDW		1			
021	267113-2	FLAT WASHER 12		1	*		
021-1	267238-2	FLAT WASHER 12	O	1			
022	213622-9	O RING 45		1			
023	318331-6	BEARING BOX		1			
024	911121-2	PAN HEAD SCREW M4X14		4			
025	345464-4	LABYRINTH RING		1			
026	324954-0	SPINDLE		1			

027	123145-8	TOOLLESS WHEELCOVER 125AK ASSY		1	*		
C10	213009-5	O RING 4		1	*		
C20	265180-1	PAN HEAD SCREW M5X16		1	*		
027-1	141P36-7	TOOLLESS WHEEL COVER 125AK CMP	<	1			
C10	213009-5	O RING 4		1	*		
C20	265180-1	PAN HEAD SCREW M5X16		1			
C30	8050A1-8	CAUTION LABEL		1			
028	224415-9	INNER FLANGE 42		1	*		
028-1	224490-5	INNER FLANGE 14-45	O	1	*		
028-2	224415-9	INNER FLANGE 42	O	1			
029	224554-5	LOCK NUT 14-45		1			
030	850J42-2	DGA504 NAME PLATE		1			
031	266326-2	TAPPING SCREW 4X18		5	*		
031-1	265B67-9	TAPPING SCREW 4X18	O	5			
032	455450-8	DUST COVER R		1			
033	187998-9	MOTOR HOUSING SET		1			
C10	263005-3	RUBBER PIN 6		2			
033		INC. 41					
034	455447-7	SWITCH KNOB		1			
035	455446-9	SWITCH LEVER		1			
036	455448-5	LEVER		1			
037	231679-8	TORSION SPRING 2		1			
038	268330-7	PIN 2		1			
039	142901-7	INDICATOR PANEL COMPLETE		1			
040	650579-7	SWITCH 1246.3223		1	*		
040-1	650579-7	SWITCH 1246.3223	O	1			
041	187998-9	MOTOR HOUSING SET		1			
C10	263005-3	RUBBER PIN 6		2			
041		INC. 33					
042	455449-3	DUST COVER L		1			
043	643899-6	TERMINAL		1			
044	632E34-1	RESISTOR UNIT		1	*		
045	632E33-3	LEAD UNIT		1	*		
046	850J49-8	DGA504 SERIAL NO. LABEL		1			
047	620K12-9	CONTROLLER	S	1			
048	652119-7	PAN HEAD SCREW M2X6	S	6			
A01	A-80656	GRINDING WHEEL 125 WA36N		1			
A02	158237-4	GRIP 36 COMPLETE		1			
A03	782423-1	LOCK NUT WRENCH 35		1			
A04	***DC18RC	DC18RC FAST CHARGER		1			
A04	821551-8	CONNECTOR PLASTIC CASE (TYPE3)		1			
C10	453974-8	LATCH		4			
A05	196399-0	BATTERY BL1840 SET		2	*		
A05	196671-0	BATTERY BL1850 SET		2	*		
A05	838175-3	INNER TRAY		1			
A05	194204-5	BATTERY BL1830 SET		2	*		
A05-1	196399-0	BATTERY BL1840 SET	O	2	*		
A05-1	196671-0	BATTERY BL1850 SET	O	2	*		
A05-1	194204-5	BATTERY BL1830 SET	O	2	*		

A05-2	197265-4	BATTERY BL1840B SET	<	2	*		
A05-2	197280-8	BATTERY BL1850B SET	<	2	*		
A05-2	197600-6	BATTERY BL1830B SET	<	2	*		
A05-3	197265-4	BATTERY BL1840B SET	O	2			
A05-3	197280-8	BATTERY BL1850B SET	O	2			
A05-3	197600-6	BATTERY BL1830B SET	O	2			
A06	450128-8	BATTERY COVER		1			
A06	805J15-0	DGA504Y1J INDICATION LABEL		1			
A06	805J17-6	DGA504ZJ INDICATION LABEL		1			
A07	821551-8	CONNECTOR PLASTIC CASE (TYP E3)		1			
C10	453974-8	LATCH		4			
A07	805J16-8	DGA504Y1J PLASTIC CASE LABEL		2			
A07	805J18-4	DGA504ZJ PLASTIC CASE LABEL		2			
A08	838175-3	INNER TRAY		1			
A08	196235-0	BATTERY BL1815N SET		1	*		
A08-1	196235-0	BATTERY BL1815N SET	O	1			
A09	805J11-8	DGA504RMJ INDICATION LABEL		1			
A09	805J13-4	DGA504RTJ INDICATION LABEL		1			
A09	805J09-5	DGA504RFJ INDICATION LABEL		1			
A10	805J12-6	DGA504RMJ PLASTIC CASE LABEL		2			
A10	805J14-2	DGA504RTJ PLASTIC CASE LABEL		2			
A10	805J10-0	DGA504RFJ PLASTIC CASE LABEL		2			
A13	199710-5	CUTTING W.C.A. 125 SET		1			
A15	199710-5	CUTTING W.C.A. 125 SET		1			
D01	652044-2	+BIND SCREW M3.5X5.0		2			
F01-1	194514-0	VIBRATION PROOF GRIP SET	O	1			
F03	192227-7	SUPER FLANGE		1			
F07-3	197600-6	BATTERY BL1830B SET	O	1			
F08-4	197599-5	BATTERY BL1830B SET	O	1			
F09-3	197267-0	BATTERY BL1840B SET	O	1			
F10-3	197267-0	BATTERY BL1840B SET	O	1			
F11-3	197265-4	BATTERY BL1840B SET	O	1			
F12-3	197265-4	BATTERY BL1840B SET	O	1			
F13-3	197273-5	BATTERY BL1840B SET(2PIECES)	O	1			
F26	191W06-8	115/125MM DUST COVER K SET		1			
C10	743129-6	BRUSH A		1			
C20	743130-1	BRUSH B		1			

Please state Parts No. when your order.

Print Date 11/04/2024