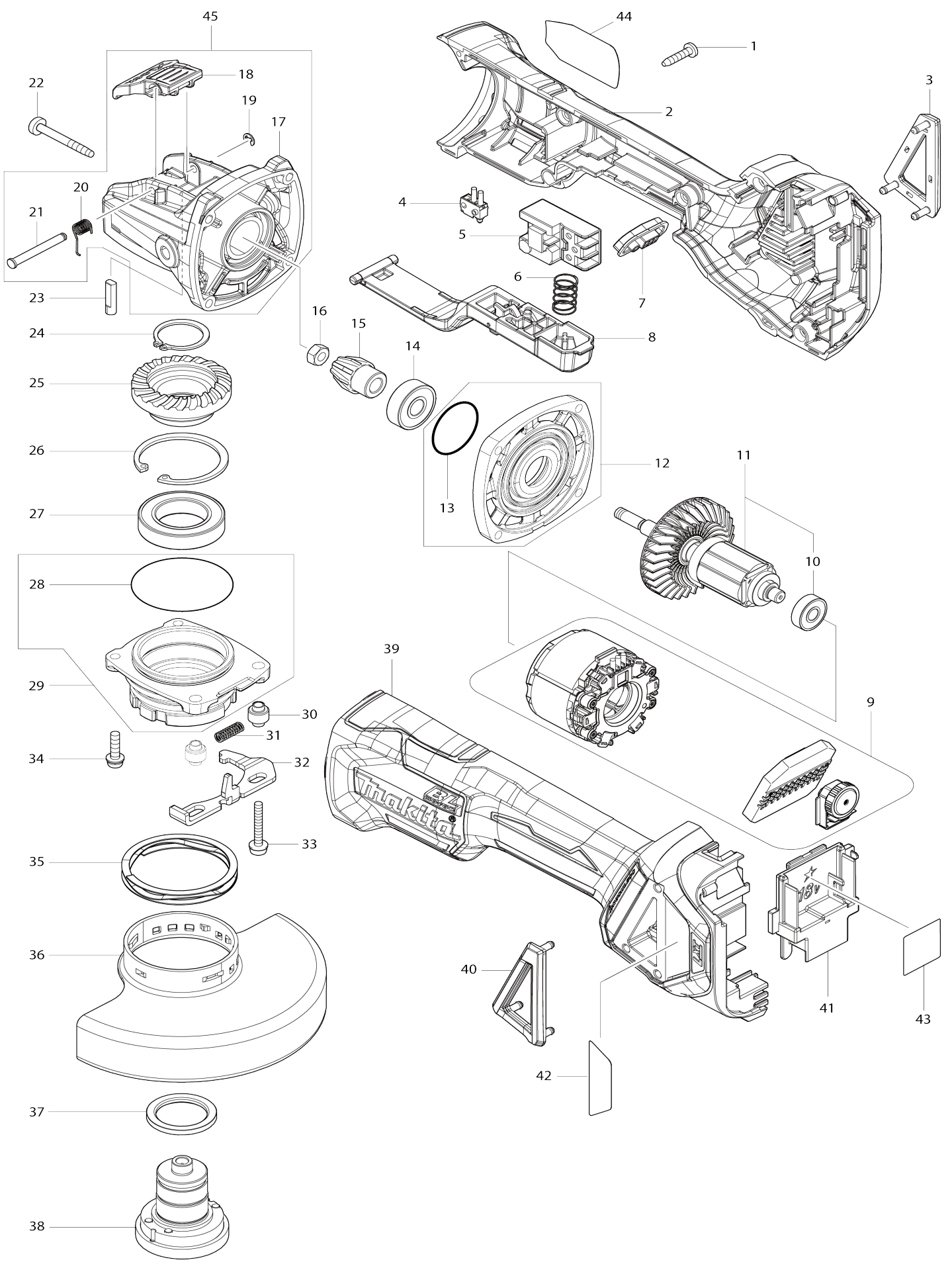


# Model No.DGA519 125MM CORDLESS ANGLE GRINDER



Model No.DGA519 125MM CORDLESS ANGLE GRINDER

Item No.	Parts No.	Description	Interchangability	Q'ty	New/Old	Note1	Note2
001	266326-2	TAPPING SCREW 4X18		5	*		
001-1	265B67-9	TAPPING SCREW 4X18	O	5			
002	183H86-8	MOTOR HOUSING SET		1			
C10	263005-3	RUBBER PIN 6		2			
D10		INC. 39					
003	455450-8	DUST COVER R		1			
004	632E12-1	SWITCH UNIT		1			
005	650734-1	SWITCH TG73BDS-2		1			
006	234357-9	COMPRESSION SPRING 11		1			
007	142901-7	INDICATOR PANEL COMPLETE		1			
008	142976-6	SWITCH LEVER COMPLETE		1			
009	629304-7	STATOR COMPLETE		1	*		
009-1	629B61-9	STATOR	S	1			
010	210169-4	BALL BEARING 607LLB		1			
011	510440-9	ROTOR ASS'Y		1	*		
D10		INC. 10					
011-1	510440-9	ROTOR ASS'Y	O	1			
D10		INC. 10					
012	135930-7	GEAR HOUSING COVER ASSEMBLY		1			
D10		INC. 13					
013	213445-5	O-RING 26		1	*		
013-1	213407-3	O RING 26	O	1			
014	210042-8	BALL BEARING 629LLB		1			
015	226950-3	SPIRAL BEVEL GEAR 10		1			
016	252186-8	HEX. NUT M6		1			
017	140N76-0	GEAR HOUSING COMPLETE		1			
018	459967-3	LEVER		1			
019	961017-7	STOP RING E-3		1			
020	232576-1	TORSION SPRING 5		1			
021	256935-5	HEADED PIN 4		1			
022	266361-0	TAPPING SCREW 4X30		4	*		
022-1	265B70-0	TAPPING SCREW 4X30	O	4			
023	327460-4	SHAFT		1			
024	961104-2	RETAINING RING S-24		1			
025	226951-1	SPIRAL BEVEL GEAR 37		1			
026	962201-7	RETAINING RING (INT) R-42		1			
027	210208-0	BALL BEARING 6905DDW		1			
028	213622-9	O RING 45		1			
029	136199-6	BEARING BOX ASS'Y		1			
D10		INC. 28					
030	327322-6	SLEEVE 4		2			
031	232490-1	COMPRESSION SPRING 4		1			
032	347615-5	LEVER		1			
033	911159-7	PAN HEAD SCREW M4X30		2			
034	911138-5	P.H.SCREW M4X20 WITH WR		2			
035	232577-9	COLIED WAVE SPRING 49		1	*		
035-1	232577-9	COLIED WAVE SPRING 49	O	1			

036	347618-9	WHEEL COVER 125		1	*		
036-1	141L27-4	WHEEL COVER 125 COMPLETE	<	1			
C10	8050A1-8	CAUTION LABEL		1			
037	327459-9	RING 25		1			
038	127428-8	SPINDLE ASSEMBLY		1			
039	183H86-8	MOTOR HOUSING SET		1			
C10	263005-3	RUBBER PIN 6		2			
D10		INC. 2					
040	455449-3	DUST COVER L		1			
041	643874-2	TERMINAL		1			
042	816D93-9	INDICATION LABEL		1			
043	856R76-1	DGA519 SERIAL NO. LABEL		1			
044	856R71-1	DGA519 NAME PLATE		1			
045	136209-9	GEAR HOUSING ASS'Y		1			
D10		INC. 17-21					
046	620K21-8	CONTROLLER	S	1			
047	652119-7	PAN HEAD SCREW M2X6	S	6			
A01	158237-4	GRIP 36 COMPLETE		1			
A02	E-00402	GRINDING WHEEL INOX 125 X-L OCK		1			
A11	199710-5	CUTTING W.C.A. 125 SET		1			
F03	194514-0	VIBRATION PROOF GRIP SET		1			
F07	191G05-4	125MM DUST COLLECT COVER S ET		1			

Please state Parts No. when your order.

Print Date 01/29/2024