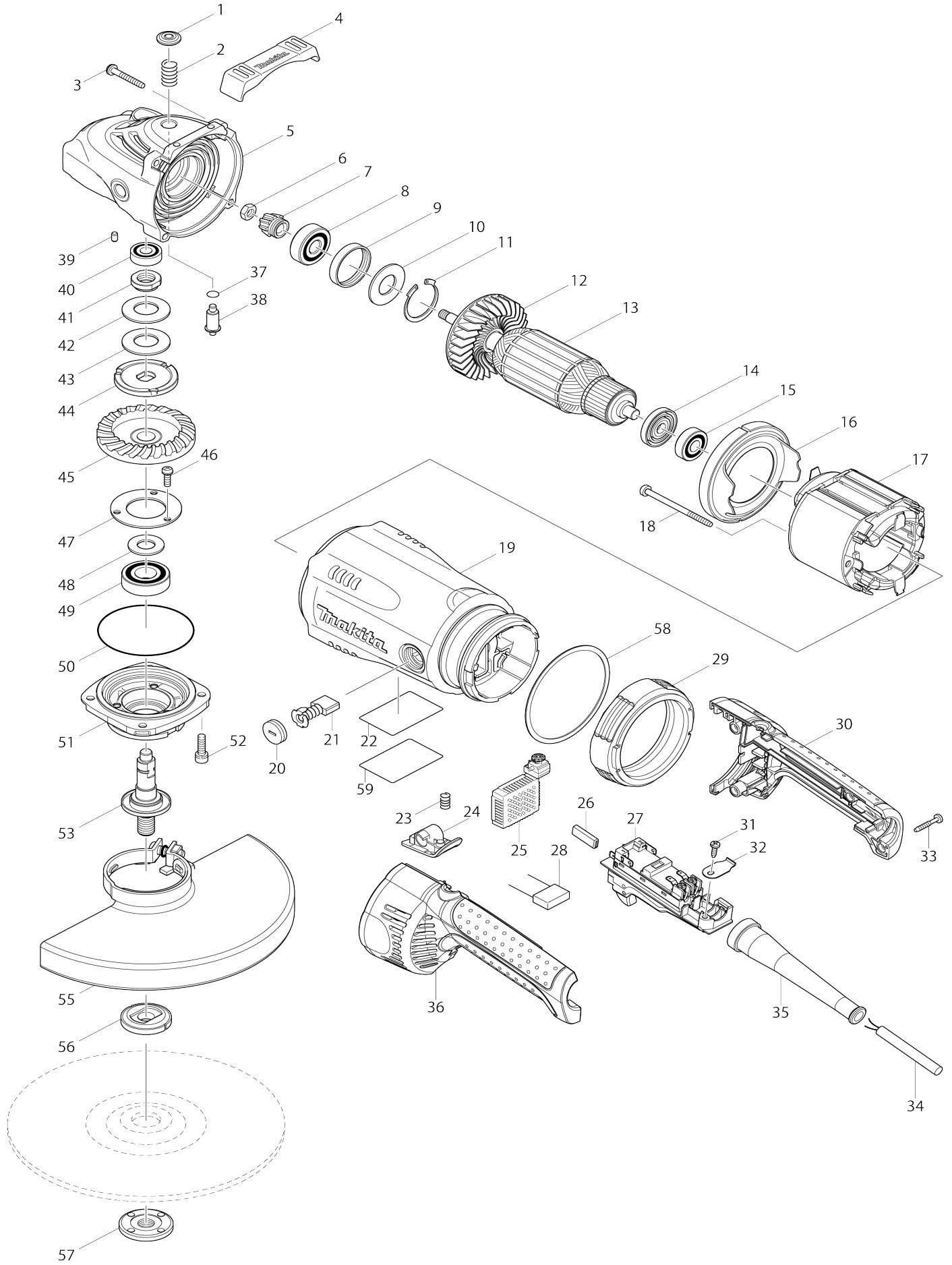


Model No.GA9040R 230MM ANGLE GRINDER



Model No.GA9040R 230MM ANGLE GRINDER

Item No.	Parts No.	Description	Interchangability	Q'ty	New/Old	Note1	Note2
001	419133-4	PIN CAP		1			
002	233292-8	COMPRESSION SPRING 12		1			
003	266012-5	TAPPING SCREW 5X35		4	*		
003-1	265B72-6	TAPPING SCREW 5X35	O	4			
004	419144-9	BUMPER		1			
005	154685-5	GEAR HOUSING COMPLETE		1	*		
C10	262118-7	FELT RING 18		1	*		
005-1	142754-4	GEAR HOUSING COMPLETE	<	1			
C10	262118-7	FELT RING 18		1			
006	252194-9	HEX. NUT M8		1			
007	227490-4	SPIRAL BEVEL GEAR 12		1			
008	211132-0	BALL BEARING 6301DDW		1			
009	262085-6	RUBBER RING 38		1			
010	267299-2	FLAT WASHER 20		1			
011	962211-4	RETAINING RING R-42		1			
012	240081-4	FAN 80		1			
013	517833-1	ARMATURE ASS'Y 220V		1			
013		INC. 12,14,15					
014	681630-2	INSULATION WASHER		1			
015	211087-9	BALL BEARING 6200DDW		1			
016	419135-0	BAFFLE PLATE		1			
017	526223-7	FIELD ASSEMBLY 220-240V		1			
C10	654197-3	RING TERMINAL		2			
C20	654502-4	CONNECTOR P-2		2			
018	266059-9	TAPPING SCREW 5X75		2			
019	154786-9	MOTOR HOUSING COMPLETE		1			
C10	643712-8	BRUSH HOLDER		2			
020	643700-5	BRUSH HOLDER CAP 7-18		2			
021	191957-7	A.C. CARBON BRUSH CB-204		1	*		
021-1	194992-4	CARBON BRUSH SET CB-204	O	1			
022	867542-5	GA9040R NAME PLATE		1			
023	233375-4	COMPRESSION SPRING 7		1			
024	451630-4	LOCK BUTTON		1			
025	631946-5	CONTROLLER		1	*		
025-1	620G50-7	CONTROLLER	<	1			
026	686036-9	RECEPTACLE SLEEVE		2			
027	650107-8	SWITCH TG08-2300-013		1			
028	645088-9	NOISE SUPPRESSOR		1	*		
028-1	645088-9	NOISE SUPPRESSOR	O	1			
029	421936-4	VIBRATION PROOF RUBBER		1			
030	188845-7	HANDLE SET		1			
C10	423350-0	SPONGE SHEET		1			
030		INC. 36					
031	266192-7	TAPPING SCREW 4X14		1	*		
031-1	265B74-2	TAPPING SCREW 4X14	O	1			
032	687169-3	STRAIN RELIEF		1			
033	265999-8	TAPPING SCREW 4X25		4	*		

033-1	265B73-4	TAPPING SCREW 4X25	O	4		
034	695107-1	POWER SUPPLY CORD 1.5-2-2.5		1		
035	682560-0	CORD GUARD 10		1		
036	188845-7	HANDLE SET		1		
C10	423350-0	SPONGE SHEET		1		
036		INC. 30				
037	213062-1	O RING 9		1		
038	256491-5	SHOULDER PIN 5		1		
039	263002-9	RUBBER PIN 4		1		
040	211061-7	BALL BEARING 6000LLB		1		
041	252429-8	NUT M15-23		1		
042	232163-6	CUP SPRING 20		1		
043	232163-6	CUP SPRING 20		1		
044	267798-4	LOCK WASHER		1		
045	227492-0	SPIRAL BEVEL GEAR 53C		1		
046	265120-9	PAN HEAD SCREW M5X16		3		
047	285724-1	BEARING RETAINER 50		1		
048	267167-9	FLAT WASHER 15		1		
049	211278-2	BALL BEARING 6203DDW		1		
050	213760-7	O RING 78		1		
051	318377-2	BEARING BOX		1		
052	265541-5	HEX. SOCKET HEAD BOLT M6X22		4		
053	154777-0	SPINDLE COMPLETE		1		
C10	345629-8	LABYRINTH RING 25		1		
055	122891-0	WHEEL COVER 230K ASSEMBLY		1	*	
C10	213017-6	O RING 6		1	*	
C11	213775-4	O-RING 7	O	1	*	
C20	265198-2	+PAN HEAD SCREW M8X25		1	*	
055-1	141P32-5	WHEEL COVER 230K COMPLETE	<	1	*	
C11	213775-4	O-RING 7	O	1	*	
C20	265198-2	+PAN HEAD SCREW M8X25		1	*	
C30	8050A1-8	CAUTION LABEL		1	*	
055-2	122891-0	WHEEL COVER 230K ASSEMBLY	<	1	*	
C11	213775-4	O-RING 7	O	1	*	
C20	265198-2	+PAN HEAD SCREW M8X25		1	*	
055-3	141P32-5	WHEEL COVER 230K COMPLETE	<	1	*	
C11	213775-4	O-RING 7	O	1	*	
C20	265198-2	+PAN HEAD SCREW M8X25		1	*	
C30	8050A1-8	CAUTION LABEL		1	*	
055-4	141P32-5	WHEEL COVER 230K COMPLETE	O	1		
C11	213775-4	O-RING 7	O	1		
C20	265198-2	+PAN HEAD SCREW M8X25		1		
C30	8050A1-8	CAUTION LABEL		1		
056	224415-9	INNER FLANGE 42		1		
056	122444-5	INNER FLANGE 47 ASS'Y		1		
057	224543-0	LOCK NUT 14-45		1		
058	261131-2	NYLON WASHER 89		1		
059	819357-6	CLEAR LABEL		1	*	
059-1	804Y42-4	CLEAR LABEL	<	1	*	
A01	162264-5	VIBRATION PROOF GRIP		1		
A02	782407-9	LOCK NUT WRENCH 35		1	*	
A02-1	197610-3	LOCK NUT WRENCH 35 SET	O	1		

A03	122913-6	WHEEL COVER 230CK ASSEMBLY		1	*		
C10	213017-6	O RING 6		1	*		
C20	265198-2	+PAN HEAD SCREW M8X25		1	*		
A03-1	122913-6	WHEEL COVER 230CK ASSEMBLY		1			
F45	191X44-6	180MM DUST COLLECT COVER K SET		1			

Please state Parts No. when your order.

Print Date 02/10/2024