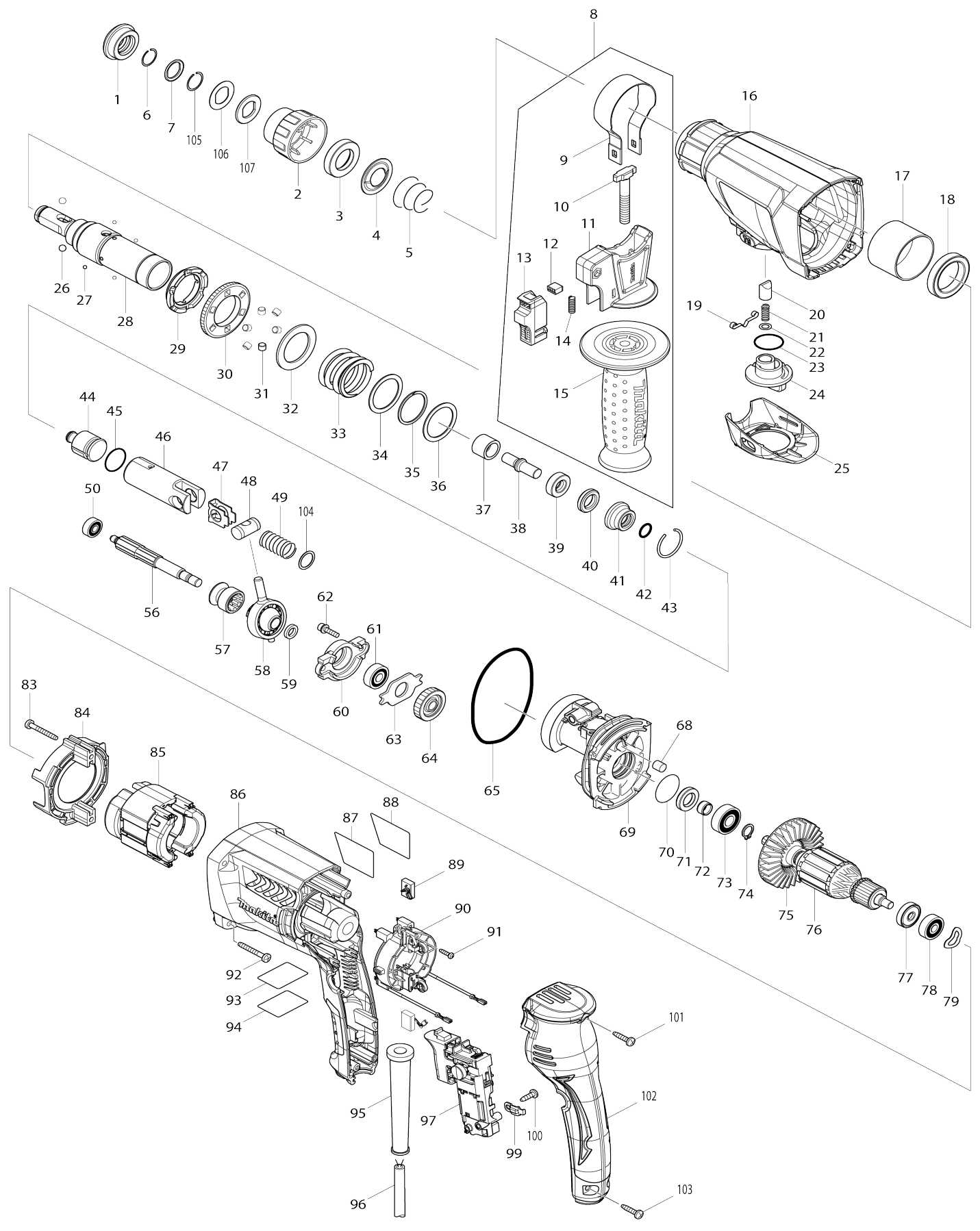


Model No.HR2300 23MM ROTARY HAMMER



Model No.HR2300 23MM ROTARY HAMMER

Item No.	Parts No.	Description	Interchangeability	Q'ty	New/Old	Note1	Note2
001	286288-8	CAP 35		1			
002	451533-2	CHUCK COVER		1	*		
002-1	455393-4	CHUCK COVER	S	1			
003	325813-1	RING 21		1			
004	346177-0	GUIDE WASHER		1			
005	233916-6	CONICAL COMP. SPRING 21-29		1			
006	233989-9	RING SPRING 14		1			
007	346221-3	WASHER 16		1	*		
007-1	346834-0	WASHER 16	S	1			
008	122878-2	GRIP ASSEMBLY		1	*		
008		INC. 9-15			*		
008-1	127293-5	GRIP ASSEMBLY	O	1	*		
008-1		INC. 9-15			*		
008-2	122878-2	GRIP ASSEMBLY	O	1			
008-2		INC. 9-15					
009	346181-9	GRIP SPRING 50		1			
010	266349-0	SQUARE BOLT M8X50		1			
011	451539-0	GRIP BASE		1			
012	313179-1	RACK		1	*		
013	451540-5	LOCK BUTTON		1	*		
013-1	141765-6	LOCK BUTTON COMPLETE	S	1			
014	233360-7	COMPRESSION SPRING 4		1			
015	154935-8	GRIP 36 COMPLETE		1			
016	140270-0	GEAR HOUSING COMPLETE		1			
C10	213345-9	OIL SEAL 25		1			
017	331890-3	CUP SLEEVE		1			
018	211294-4	BALL BEARING 6806LLU		1			
019	232152-1	LEAF SPRING		1			
020	325785-0	PUSH CORN		1			
021	234147-0	COMPRESSION SPRING 5		1			
022	253308-3	THIN WASHER 6		1			
023	213381-5	O RING 21		1			
024	451531-6	CHANGE LEVER B		1			
025	451532-4	CHANGE LEVER COVER B		1			
026	216022-2	STEEL BALL 7.0		2			
027	216019-1	STEEL BALL 3		4	*		
027-1	216061-2	STEEL BALL 3	O	4			
028	140264-5	TOOL HOLDER COMPLETE		1	*		
028-1	142973-2	TOOL HOLDER COMPLETE	<	1			
029	313149-0	DRIVING FLANGE		1	*		
029-1	332139-4	DRIVING FLANGE	S	1			
030	227232-6	SPUR GEAR 51		1	*		
030-1	227360-7	SPUR GEAR 51	S	1			
031	268226-2	PIN 6		6	*		
032	267414-8	FLAT WASHER 30		1	*		
033	234148-8	COMPRESSION SPRING 31		1			
034	267153-0	FLAT WASHER 30		1			

035	257932-4	SPIRO LOCK WASHER 30		1		
036	267153-0	FLAT WASHER 30		1		
037	325782-6	SLEEVE 9A		1		
038	325789-2	IMPACT BOLT A		1		
039	325794-9	RING 10A		1		
040	424267-0	CUSHION RING 12		1		
041	325798-1	O-RING CASE A		1		
042	213073-6	O RING 9		1		
043	233979-2	RING SPRING 28		1		
044	325784-2	STRIKER		1		
045	213258-4	O RING 17.5		1		
046	310345-1	PISTON CYLINDER		1		
047	346036-8	GUIDE PLATE		1		
048	324215-8	PISTON JOINT		1		
049	234098-7	COMPRESSION SPRING 14		1		
050	211012-0	BALL BEARING 606ZZ		1	*	
050-1	210028-2	BALL BEARING 606ZZ	O	1		
056	227243-1	SPUR GEAR 10		1		
057	331815-7	CLUTCH CAM B		1		
058	219020-5	SWASH BEARING 10		1		
059	267234-0	FLAT WASHER 8		1		
060	310344-3	BEARING BOX		1		
061	211032-4	BALL BEARING 608ZZ		1	*	
061-1	210223-4	BALL BEARING 608ZZ	O	1		
062	266437-3	HEX. SOCKET HEAD BOLT M4X16		2		
063	285735-6	BEARING RETAINER		1		
064	227719-8	HELICAL GEAR 26		1		
065	213728-3	O-RING 68		1		
068	443153-6	FELT		1	*	
069	140269-5	INNER HOUSING COMPLETE		1	*	
069-1	141572-7	INNER HOUSING COMPLETE	S	1	*	
069-2	141572-7	INNER HOUSING COMPLETE	O	1		
070	213407-3	O RING 26		1		
071	213133-4	OIL SEAL 12		1	*	
071-1	213678-2	OIL SEAL 12	O	1		
072	262569-4	SLEEVE 9		1	*	
072-1	262207-8	SLEEVE 9	O	1		
073	211097-6	BALL BEARING 6000LLB		1		
074	961006-2	RETAINING RING S-10		1		
075	240121-8	FAN 65		1		
076	515354-7	ARMATURE ASSEMBLY 240V		1		
076		INC. 72-75,77,78				
077	681652-2	INSULATION WASHER		1		
078	210023-2	BALL BEARING 627DDW		1		
079	267804-5	WAVE WASHER 15		1		
083	266361-0	TAPPING SCREW 4X30		2	*	
083-1	265B70-0	TAPPING SCREW 4X30	O	2		
084	451527-7	BAFFLE PLATE		1		
085	626629-0	FIELD 240V		1	*	
085-1	626629-0	FIELD 240V	O	1		
086	451538-2	MOTOR HOUSING		1		
087	867653-6	HR2300 NAME PLATE		1		

088	819390-8	CLEAR LABEL		1	*		
088-1	816R90-9	CLEAR LABEL	O	1	*		
089	194074-2	CARBON BRUSH CB-325		1			
090	638655-7	BRUSH HOLDER UNIT		1			
091	266556-5	TAPPING SCREW 3X12		2			
092	266361-0	TAPPING SCREW 4X30		4	*		
092-1	265B70-0	TAPPING SCREW 4X30	O	4			
093	867656-0	HR2300 SERIAL NO.LABEL		1			
094	819389-3	CLEAR LABEL		1	*		
094-1	816R89-4	CLEAR LABEL	O	1	*		
095	682566-8	CORD GUARD 10		1			
096	665890-4	POWER SUPPLY CORD 1.0-2-4.0		1			
097	650625-6	SWITCH		1	*		
097-1	651090-2	SWITCH TG853TB-3	O	1			
099	687682-1	STRAIN RELIEF		1			
100	266385-6	TAPPING SCREW 4X14		1	*		
100-1	265B74-2	TAPPING SCREW 4X14	O	1			
101	266326-2	TAPPING SCREW 4X18		1	*		
101-1	265B67-9	TAPPING SCREW 4X18	O	1			
102	451528-5	HANDLE COVER		1			
103	266326-2	TAPPING SCREW 4X18		2	*		
103-1	265B67-9	TAPPING SCREW 4X18	O	2			
104	267447-3	FLAT WASHER 14		1			
105	233992-0	RING SPRING 15		1			
106	267437-6	FLAT WASHER 17		1	*		
106-1	267114-0	FLAT WASHER 17	S	1			
107	424364-2	RUBBER WASHER 16		1	*		
A01	331886-4	DEPTH GAUGE		1			
A02	824914-7	PLASTIC CARRYING CASE		1	*		
C10	162302-3	LATCH		2	*		
C20	324207-7	SHAFT		1	*		
C30	451749-9	HANDLE		1	*		
A02	821550-0	CONNECTOR PLASTIC CASE (TYP E2)		1			
C10	453974-8	LATCH		4			
A02-1	821775-6	PLASTIC CASE	O	1			
C10	162302-3	LATCH		2			
C20	324207-7	SHAFT		1			
C30	451749-9	HANDLE		1			
A03	816414-1	HR2300 PLASTIC CASE LABEL		2	*		
A03	802N98-5	HR2300J PLASTIC CASE LABEL		2	*		
A03-1	816V98-7	HR2300 PLASTIC CASE LABEL	X	2			
A03-1	816W05-6	HR2300J PLASTIC CASE LABEL	X	2			
A05	802N97-7	HR2300J INDICATION LABEL		1	*		
A05-1	816W04-8	HR2300J INDICATION LABEL	O	1			
A06	837651-4	INNER TRAY		1			
B01	195105-0	HAMMER SERVICE KIT		1			
C10	195127-0	OIL VESSEL SET		2			
B01		INC. 1,6,26,40,42,43,45,89,105					
B01		INC. 107					
F32	195127-0	OIL VESSEL SET		1			
G12	1914X3-8	DUST EXTRACTION PAD SET		1			

Please state Parts No. when your order.

Print Date 12/02/2024