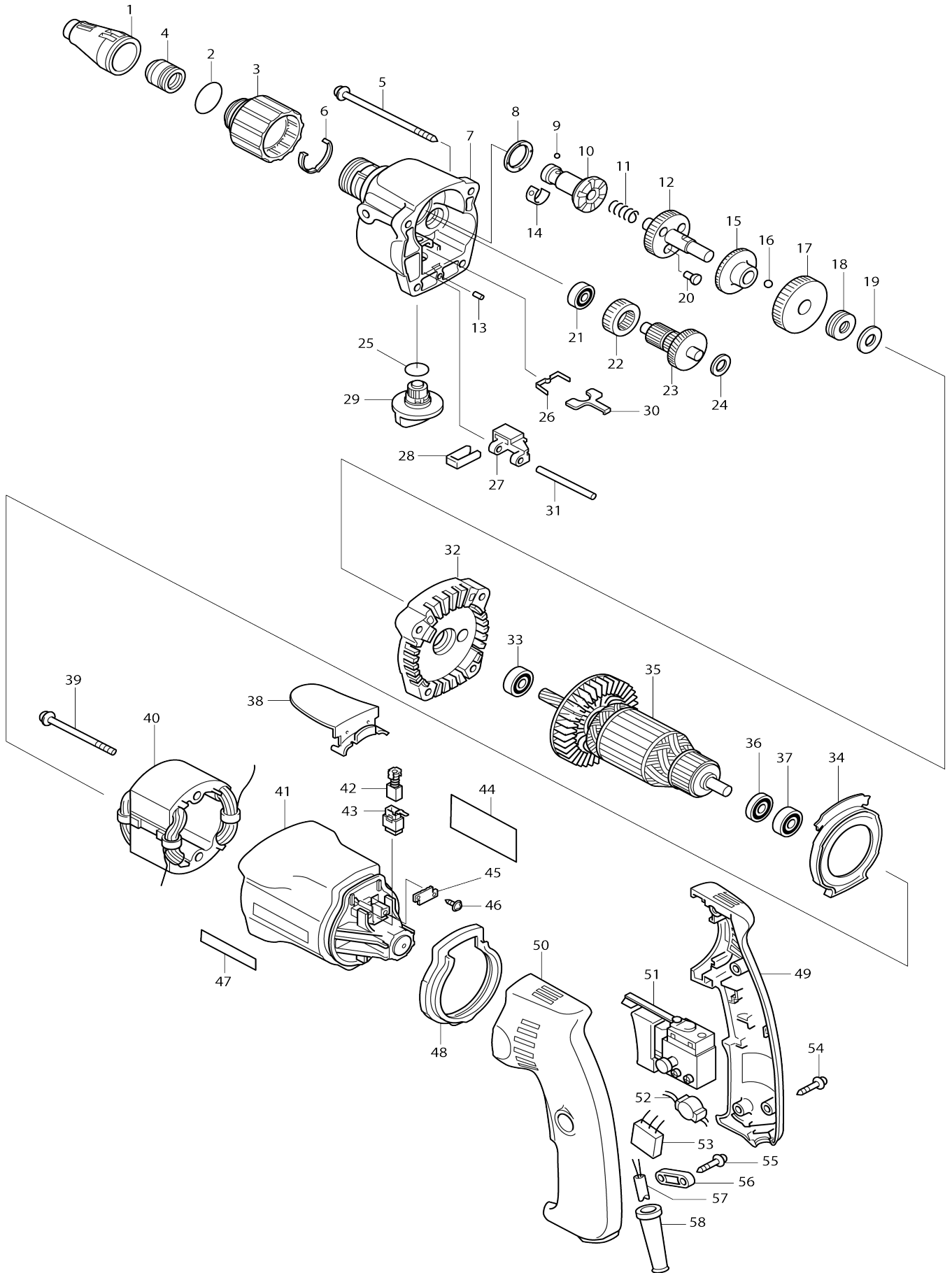


Model No.6807 2-SPEED SCREW DRIVER



Model No.6807 2-SPEED SCREW DRIVER

Item No.	Parts No.	Description	Interchangability	Q'ty	New/Old	Note1	Note2
001	152483-1	LOCATOR COMPLETE 1/4"		1			
002	213373-4	O RING 22		1			
003	416670-9	LOCK RING		1			
004	421631-6	DUST SEAL RING		1			
005	266056-5	TAPPING SCREW 5X45		4			
006	232154-7	LEAF SPRING		1	*		
006-1	232154-7	LEAF SPRING	<	1			
007	150944-5	GEAR HOUSING COMPLETE		1			
C10	213154-6	O RING 14		1			
C20	263002-9	RUBBER PIN 4		1			
008	421392-8	RING 20		1			
009	216001-0	STEEL BALL 3.5		1			
010	223126-3	SPINDLE A		1			
011	233232-6	COMPRESSION SPRING 6		1			
012	153261-2	GEAR COMPLETE		1			
013	256226-4	PIN 4		1			
014	232050-9	LEAF SPRING		1			
015	226375-1	SPUR GEAR 34		1			
016	216008-6	STEEL BALL 4		3			
017	226374-3	SPUR GEAR 44		1			
018	212042-4	THRUST NEEDLE BEARING 821		1			
019	261111-8	URETHANE WASHER 8		1			
020	256439-7	PIN 4		3	*		
020-1	256467-2	SHOULDER PIN 4	O	3			
021	211014-6	BALL BEARING 606		1			
022	226372-7	SPUR GEAR 23		1			
023	153262-0	GEAR COMPLETE 13-36		1			
024	253865-1	FLAT WASHER 8		1			
025	213162-7	O RING 14		1			
026	232143-2	LEAF SPRING		1			
027	416671-7	RACK 7		1			
028	344668-5	CHANGE PALTE		1			
029	416669-4	CHANGE LEVER		1			
030	344178-2	LOCK PLATE		1			
031	256268-8	PIN 4		1			
032	150945-3	GEAR HOUSING COVER COMPLETE		1			
033	210005-4	BALL BEARING 608DDW		1			
034	413073-8	BAFFLE PLATE		1			
035B_	517278-3	ARMATURE ASS'Y 220V		1			
C10	241850-6	FAN 60		1			
D10		INC. 33,36,37					
036	681614-0	INSULATION WASHER		1			
037	210025-8	BALL BEARING 627LLB		1			
038	344669-3	HOOK		1			
039	266052-3	TAPPING SCREW 4X60		2			
040B_	633418-6	FIELD 220V		1			
041	415601-5	MOTOR HOUSING		1			

042	191962-4	CARBON BRUSH CB-419		1	*		
042-1	195015-1	CARBON BRUSH SET CB-419	O	1			
043	643923-5	BRUSH HOLDER		2			
044	851461-5	NAME PLATE 6807		1			
045	415622-7	BRUSH HOLDER PLATE		2			
046	266007-8	TAPPING SCREW BIND PT 3X10		4			
047	819063-3	MAKITA LABEL		1			
048	421630-8	CUSHION RUBBER		1			
049	183047-0	HANDLE SET		1			
D10		INC. 50					
050	183047-0	HANDLE SET		1			
D10		INC. 49					
051	651952-4	SWITCH 8653C721AD 200V-240V		1	*		
051-1	651987-5	SWITCH	X	1	*		
051-2	651987-5	SWITCH	X	1	*		
051-3	651987-5	SWITCH	O	1	*		
051-4	651986-7	SWITCH TG803TLB-1	O	1			
052	632900-2	LINE COIL UNIT		1	*		
052-1	646342-4	LINE COIL	O	1			
053	645253-0	NOISE SUPPRESSOR		1			
054	265995-6	TAPPING SCREW 4X18		5			
055	265995-6	TAPPING SCREW 4X18		2			
056A_	687052-4	STRAIN RELIEF		1			
057B_	665394-6	POWER SUPPLY CORD 1.0-2-2.5		1			
058	682502-4	CORD GUARD 8-85		1			
A01	152490-4	GRIP 36 COMPLETE		1			
A02	784211-2	PHILLIPS INSERT BIT 2-25		1	*		
A02-1	784261-7	+BIT 2-25	O	1			
A03	784638-6	HEX. BIT 5-75		1			
A04	784807-9	MAGNETIC CONNECT BIT 6.35-60		1	*		
A04-1	784811-8	MAGNETIC CONNECT BIT 6.35-60	O	1			
A05	824449-8	PLASTIC CARRYING CASE		1	*		
C10	182935-8	SLIDE LATCH (R.L) SET		1	*		
A05-1	824608-4	PLASTIC CARRYING CASE	O	1			
C10	417496-2	LATCH		2			
C20	417497-0	HANDLE		1			
C30	819143-5	MAKITA LABEL		1			
E03	784804-5	MAGNETIC SOCKET BIT 5/16-65		1			
E04	151662-8	LOCATOR COMPLETE 3/8		1			

Please state Parts No. when your order.

Print Date 13/06/2024