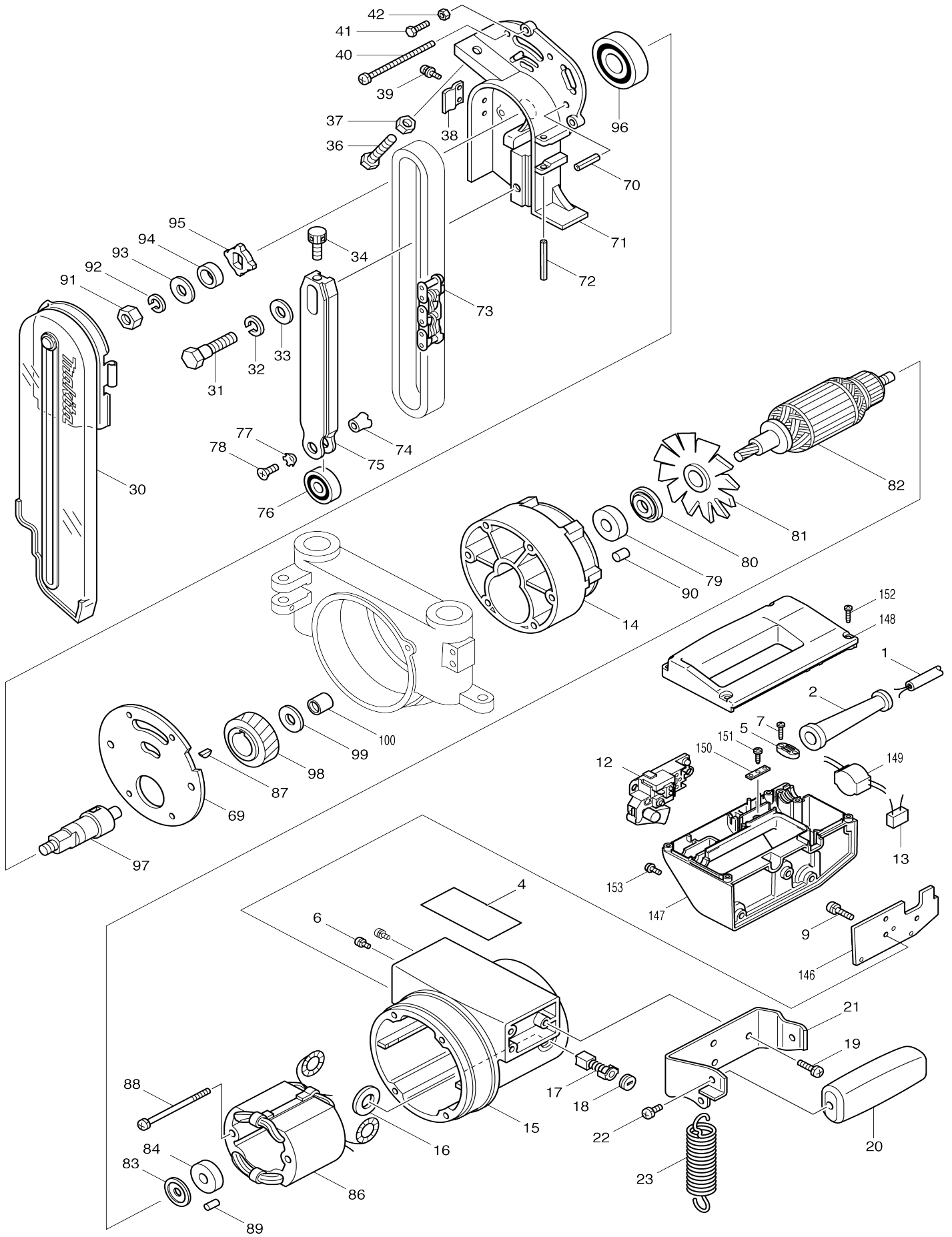
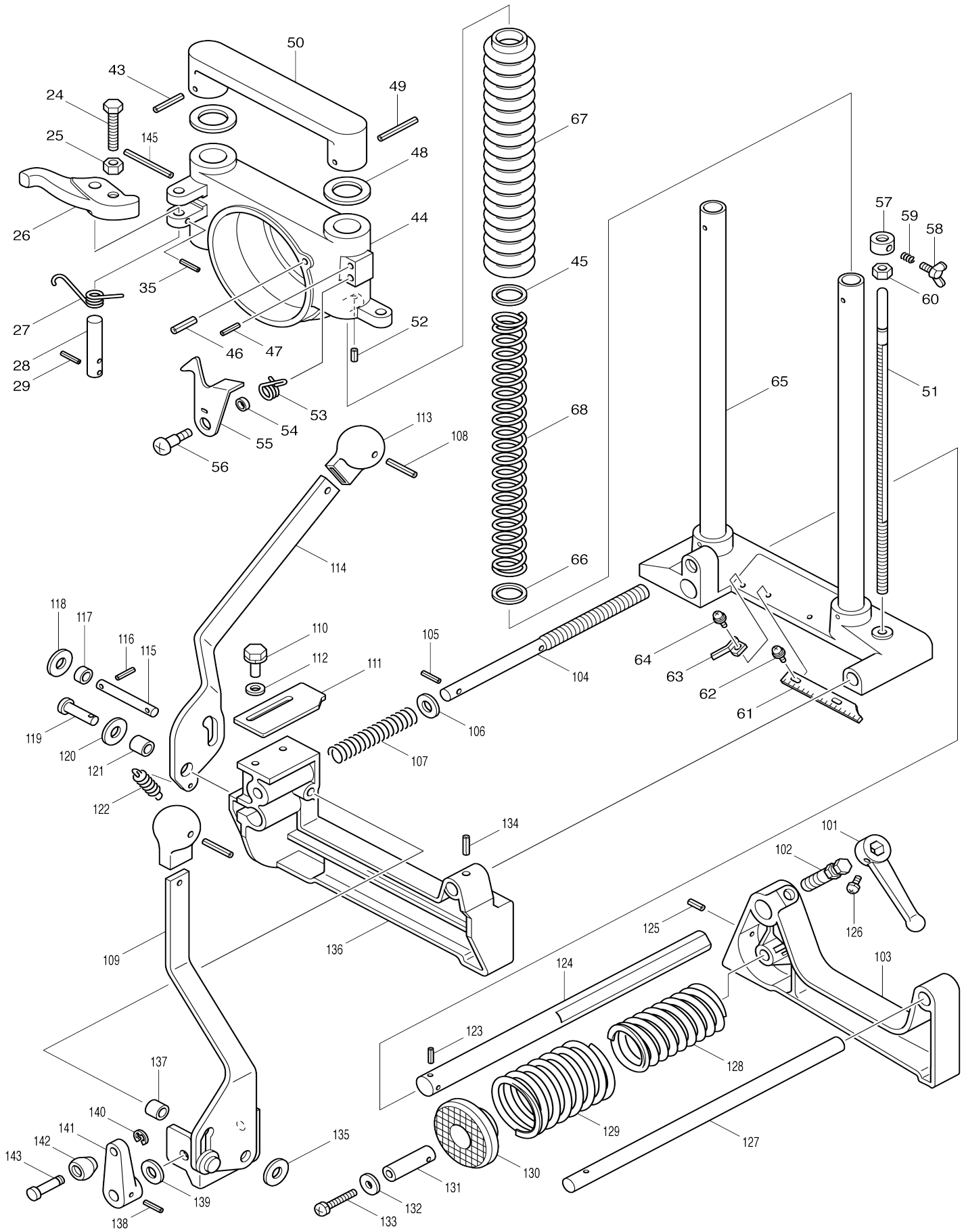


Model No.7104L CHAIN MORTISER



Model No.7104L CHAIN MORTISER



Model No.7104L CHAIN MORTISER

Item No.	Parts No.	Description	Interchangability	Q'ty	New/Old	Note1	Note2
001H_	665263-1	POWER SUPPLY CORD 1.00-3-5.0		1			
002D_	682573-1	CORD GUARD 10		1			
005D_	687053-2	STRAIN RELIEF		1			
006	652014-1	PAN HEAD SCREW M4X8		2			
007B_	265995-6	TAPPING SCREW 4X18		2			
009	911226-8	PAN HEAD SCREW M5X18		3			
012A_	651057-0	SWITCH TG71CL-2		1			
013B_	645261-1	NOISE SUPPRESSOR		1			
014	157044-2	GEAR HOUSING		1			
014		INC. 90					
015B_	154627-9	MOTOR HOUSING COMPLETE		1	*		
C10	643653-8	BRUSH HOLDER 6.5-13.5		2	*		
C20	913206-0	SET SCREW M5X8		2	*		
015B_		INC. 89			*		
015B1	142200-7	MOTOR HOUSING COMPLETE	<	1			
C10	643653-8	BRUSH HOLDER 6.5-13.5		2			
C20	913206-0	SET SCREW M5X8		2			
015B1		INC. 89					
016	681002-1	INSULATION WASHER		2			
017-1	181044-0	CARBON BRUSH CB-153		1	*		
017-2	194985-1	CARBON BRUSH SET CB-153	O	1			
018	643650-4	BRUSH HOLDER CAP 6.5-13.5		2	*		
018-1	643650-4	BRUSH HOLDER CAP 6.5-13.5	O	2			
019	911226-8	PAN HEAD SCREW M5X18		3			
020	273416-4	GRIP 25		1	*		
020-1	183V03-2	HANDLE SET	S	1			
021	341571-1	GRIP HOLDER L		1	*		
021-1	141H49-0	HANDLE STAY	S	1			
022	911206-4	PAN HEAD SCREW M5X10		2	*		
023	231747-7	TENSION SPRING 20		1			
024	265254-8	HEX. BOLT M8X44		1			
025-1	931402-8	HEX. NUT M8		1			
026	331162-6	LEVER C		1			
027	231551-4	TORSION SPRING 12		1			
028	256114-5	PIN 10		1			
029	951116-3	SPRING PIN 4-20		1			
030A_	154397-0	CHAIN COVER COMPLETE		1			
031	265253-0	HEX. BOLT M10		1			
032	942253-4	SPRING WASHER 10		1			
033	941252-3	FLAT WASHER 10		1			
034	251852-4	SCREW M8X28		1			
035	951116-3	SPRING PIN 4-20		1			
036	265254-8	HEX. BOLT M8X44		1			
037-1	931402-8	HEX. NUT M8		1			
038	232068-0	LEAF SPRING		1			
039	911109-2	PAN HEAD SCREW M4X8		2			
040	911908-2	PAN HEAD SCREW M5X80		4			

041	921222-8	HEX. BOLT M5X16		3		
042	931202-6	HEX. NUT M5		3		
043	951172-3	SPRING PIN 5-32		1		
044A_	310172-6	ROTOR HOLDER		1	*	
044A1	310546-1	ROTOR HOLDER	<	1		
045	253042-5	FLAT WASHER 24		2		
046	951213-5	SPRING PIN 6-24		1		
047	951116-3	SPRING PIN 4-20		1		
048	261022-7	RUBBER WASHER 24		2		
049	951181-2	SPRING PIN 5-45		1		
050	315344-8	CARRY HANDLE		1	*	
050-1	319052-3	CARRY HANDLE	<	1		
051	325057-3	DEPTH GAUGE		1		
052	951151-1	SPRING PIN 5-12		1		
053	231543-3	TORSION SPRING 13		1		
054	257005-3	RING 8		1		
055	341585-0	HOOK		1		
056	251215-4	+ PAN HEAD SCREW M6		1		
057	252409-4	NUT M10-20		1		
058	924316-8	WING BOLT M6X15		1		
059	231005-1	COMPRESSION SPRING 7		1		
060-1	931402-8	HEX. NUT M8		1		
061	816045-6	INDICATION PLATE		1		
062	911109-2	PAN HEAD SCREW M4X8		2		
063	341588-4	INDICATOR PLATE		1		
064	911109-2	PAN HEAD SCREW M4X8		1		
065	154286-9	BASE COMPLETE		1	*	
C10	951172-3	SPRING PIN 5-32		2	*	
065-1	142198-8	BASE COMPLETE	<	1		
C10	951172-3	SPRING PIN 5-32		2		
066	253042-5	FLAT WASHER 24		2		
067	411723-9	BELLOWS		2		
068	231289-1	COMPRESSION SPRING 25		2		
069	341745-4	DISC		1		
070	951213-5	SPRING PIN 6-24		2		
071	311528-6	CHAIN BAR HOLDER		1	*	
071-1	310569-9	CHAIN BAR HOLDER	<	1		
072	951178-1	SPRING PIN 5-40		1		
073-1	A-16570	CUTTER CHAIN 16.5		1		
074	325330-1	HEAD SHAFT		1		
075	133571-3	CHAIN BAR ASS'Y F/15-24MM		1		
075		INC. 74,76-78				
076	211076-4	BALL BEARING 1008LL		1		
077	943152-3	TOOTHED LOCK WASHER 6		1		
078	251258-6	+ COUNTERSUNK HEAD SCREW M6X12		1		
079	211106-1	BALL BEARING 6201LLB		1		
080	213102-5	DUST SEAL 12		1		
081-1	241513-4	FAN 92		1		
082E_	516939-2	ARMATURE ASS'Y 240V		1		
082E_		INC. 79,80,81-1,83,84				
083	213051-6	DUST SEAL 10		1		

084	211066-7	BALL BEARING 6200LLB		1		
086D_	524569-5	FIELD ASS'Y 240V		1		
C10	654020-2	RING TERMINAL		2		
C20	654502-4	CONNECTOR P-2		2		
087	254001-2	WOODRUFF KEY 4		1		
088-1	911300-2	PAN HEAD SCREW M5X75		2		
089	263002-9	RUBBER PIN 4		1		
090	263005-3	RUBBER PIN 6		1		
091-1	931502-4	HEX. NUT M10		1		
092	942253-4	SPRING WASHER 10		1		
093	941252-3	FLAT WASHER 10		1		
094	257017-6	RING 15		1		
095	221501-7	SPROCKET 4		1		
096	211311-0	BALL BEARING 6304LLB		1		
097	321373-1	SPINDLE		1		
098	221671-2	HELICAL GEAR 47		1		
099	253197-6	FLAT WASHER 10		1		
100	212066-0	NEEDLE BEARING 1015		1		
101	133014-5	LEVER 98 ASS'Y		1		
101		INC. 126				
102	265235-2	HEX. BOLT M12X34		1		
103	315342-2	WISE ELEMENT		1	*	
103-1	319050-7	WISE ELEMENT	<	1		
104	321380-4	SCREW M14		1		
105	951116-3	SPRING PIN 4-20		1		
106	253180-3	FLAT WASHER 10		1		
107	231287-5	COMPRESSION SPRING 10		1		
108-1	951172-3	SPRING PIN 5-32		2		
109	154282-7	LEVER B COMPLETE		1		
C10	253808-3	FLAT WASHER 9		1		
C20	257075-2	RING 9		1		
110	921421-2	HEX. BOLT M8X16		2		
111	341587-6	STOPPER		1		
112	941201-0	FLAT WASHER 8		2		
113	271610-2	KNOB 40		2		
114	341569-8	CLAMP LEVER		1		
115	256106-4	PIN 9		1		
116	951116-3	SPRING PIN 4-20		2		
117	257075-2	RING 9		1		
118	253808-3	FLAT WASHER 9		1		
119	256623-4	PIN 9		1		
120	253808-3	FLAT WASHER 9		1		
121	257561-3	SLEEVE 9		1		
122	231746-9	TENSION SPRING 9		1		
123	951110-5	SPRING PIN 4-16		1		
124	321381-2	SLIDE BAR		1		
125	951163-4	SPRING PIN 5-20		1		
126	911207-2	PAN HEAD SCREW M5X10		1		
127	321382-0	GUIDE POLE		1		
128	231286-7	COMPRESSION SPRING 36		1		
129	231285-9	COMPRESSION SPRING 48		1		
130	315216-7	WISE SHOE		1	*	

130-1	319049-2	WISE SHOE	<	1			
131	321232-9	WISE SHAFT		1			
132	253011-6	FLAT WASHER 6		1			
133	911356-5	PAN HEAD SCREW M6X35		1			
134	951166-8	SPRING PIN 5-24		1			
135	253808-3	FLAT WASHER 9		1			
136	315340-6	FRONT VICE		1	*		
136-1	319053-1	FRONT VICE	<	1			
137	257562-1	SLEEVE 9		1			
138	951116-3	SPRING PIN 4-20		1			
139	253180-3	FLAT WASHER 10		1			
140	961012-7	STOP RING E-6		1			
141	133201-6	HANDLE ASS'Y		1			
141		INC 140,142,143					
142	271607-1	KNOB 20		1			
143	256614-5	PIN 8		1			
145	951184-6	SPRING PIN 5-50		2			
146	345600-2	HANDLE STAY		1			
147	419064-7	HANDLE		1			
148	419065-5	HANDLE COVER		1			
149	646346-6	LINE COIL		1	*		
149-1	646353-9	LINE COIL	O	1			
150	654571-5	TERMINAL BLOCK		1			
151	266192-7	TAPPING SCREW 4X14		1			
152	265995-6	TAPPING SCREW 4X18		4			
153	911218-7	PAN HEAD SCREW M5X14		3			
404-1	182229-1	OIL SUPPLY 100CC		1	*		
404-1		INC. 405			*		
404-2	199897-3	OIL VESSEL SET	O	1			
404-2		INC. 405					
405	242012-9	OIL SUPPLY NOZZLE		1			
406	781204-0	WRENCH 13-17		1			
708	689055-4	RING TERMINAL RETAINER 15.5		2			
E01	265995-6	TAPPING SCREW 4X18	S	4			
E02	911218-7	PAN HEAD SCREW M5X14	S	2			

Please state Parts No. when your order.

Print Date 02/10/2024