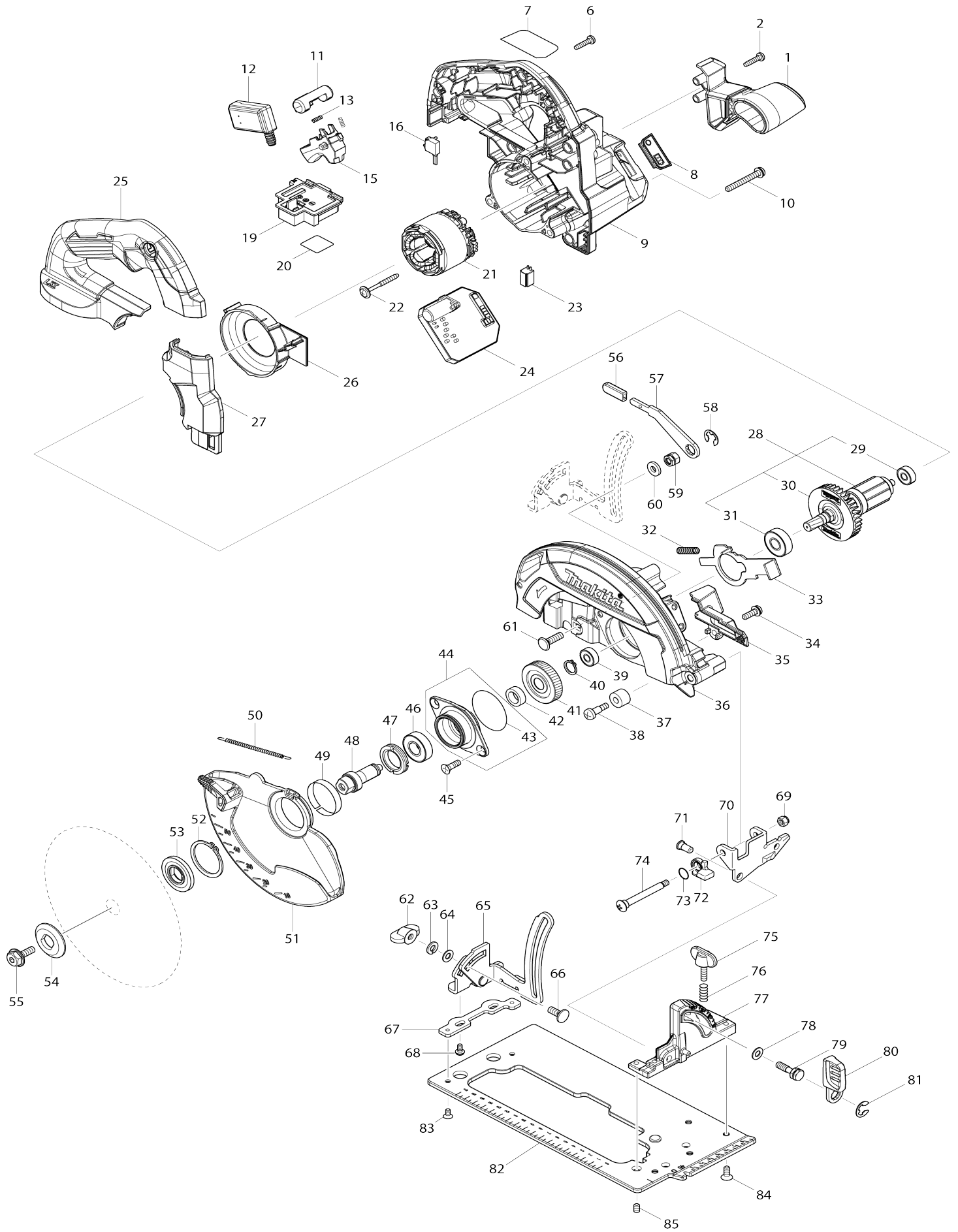


Model No.DHS660 165MM CORDLESS CIRCULAR SAW



Model No.DHS660 165MM CORDLESS CIRCULAR SAW

Item No.	Parts No.	Description	Interchangability	Q'ty	New/Old	Note1	Note2
B01	195193-7	HAMMER SERVICE KIT SET		1			
C10	195127-0	OIL VESSEL SET		2			
D10		INC. 35,37,38,40,84,111,115					
A03	196671-0	BATTERY BL1850 SET		2	*		
A03-2	197280-8	BATTERY BL1850B SET	<	2	*		
001	458590-1	FRONT GRIP		1			
002	265995-6	TAPPING SCREW 4X18		1			
006	265995-6	TAPPING SCREW 4X18		7			
007	854N75-3	DHS660 NAME PLATE		1			
008	144251-6	INDICATION PLATE COMPLETE		1			
009	140C48-9	MOTOR HOUSING COMPLETE		1			
C10	263005-3	RUBBER PIN 6		2			
010	911263-2	PAN HEAD SCREW M5X40		3			
011	419704-7	LOCK OFF BUTTON		1			
012	651083-9	SWITCH C3XA-1PSPM		1			
013	231433-0	COMPRESSION SPRING 4		2			
015	458594-3	SWITCH LEVER		1			
016	632L80-6	SWITCH UNIT		1			
019	644809-6	TERMINAL		1			
020	854N80-0	DHS660 SERIAL NO. LABEL		1			
021	629362-3	STATOR		1	*		
021-1	629B61-9	STATOR	S	1			
022	251517-8	TAPPING SCREW 4X40		2			
023	620936-3	LED CIRCUIT		1			
024	620935-5	CONTROLLER		1	*		
024-1	620A72-1	CONTROLLER	<	1	*		
024-2	620K98-3	CONTROLLER	S	1			
025	458584-6	HANDLE COVER		1			
026	458586-2	BAFFLE PLATE		1			
027	458592-7	COVER		1			
028	519527-4	ROTOR ASS'Y		1			
D10		INC. 29-31					
029	211012-0	BALL BEARING 606ZZ		1			
030	240045-8	FAN 55		1			
031	210059-1	BALL BEARING 6000DDW		1			
032	233117-6	COMPRESSION SPRING 6		1	*		
032-1	233342-9	COMPRESSION SPRING 6	<	1			
033	347400-6	SHAFT LOCK		1			
034	911223-4	PAN HEAD SCREW M5X16		1			
035	458589-6	DUCT		1			
036	140D07-9	BLADE CASE COMPLETE		1			
C10	213821-3	O-RING 26		1			
037	262511-5	RUBBER SLEEVE 6		1			
038	265115-2	+ PAN HEAD SCREW M5		1			
039	211012-0	BALL BEARING 606ZZ		1			
040	961052-5	RETAINING RING (EXT) S-12		1			
041	226192-9	HELICAL GEAR 49		1	*		

041-1	226192-9	HELICAL GEAR 49	O	1			
042	257173-2	RING 12		1			
043	213512-6	O RING 39		1	*		
043-1	213A83-9	O-RING 39	O	1			
044	135993-3	BEARING BOX ASSEMBLY		1	*		
D10		INC. 43					
044-1	137150-9	BEARING BOX ASS'Y	O	1			
D10		INC. 43					
045	265034-2	+ COUNTERSUNK HEAD SCREW M5X16		2			
046	211131-2	BALL BEARING 6001DDW		1			
047	285843-3	BEARING RETAINER 19-29		1			
048	327143-6	SPINDLE		1	*		
048-1	327244-0	SPINDLE	<	1			
049	345469-4	THICKNESS RING		1			
050	231832-6	TENSION SPRING 3		1			
051	458680-0	SAFETY COVER		1			
052	961152-1	RETAINING RING (EXT) S-34		1			
053	224593-5	INNER FLANGE 35		1			
054	224409-4	OUTER FLANGE 35		1			
055	266925-0	HEX.SOCKET HEX.BOLT M6X18		1			
056	286036-5	CAP		1			
057	347399-5	LEVER PLATE		1			
058	257982-9	BOW STOP RING E-8		1			
059	264096-7	HEX. NUT M6		1	*		
059-1	252265-2	HEX. NUT M6	S	1			
060	267118-2	FLAT WASHER 6		1	*		
061	266737-1	FLAT HEAD SQ. NECK BOLT M6X2 0		1			
062	252631-3	THUMB NUT M6		1			
063	942151-2	SPRING WASHER 6		1	*		
063-1	253428-3	SPRING WASHER 6	O	1	*		
064	941151-9	FLAT WASHER 6		1			
065	161899-9	DEPTH GUIDE COMPLETE		1			
066	265939-6	FLAT HEAD SQ. NECK BOLT M6X1 4		1			
067	347401-4	REAR GUIDE PLATE		1			
068	265648-7	PAN HEAD SCREW M4X8		2			
069	252103-8	HEX. LOCK NUT M5-8		1			
070	345590-9	ANGULAR GUIDE		1			
071	256480-0	SHOULDER PIN 6-7		1			
072	318823-5	STOPPER		1			
073	213977-2	O RING 7		1			
074	266734-7	+ TRUSS HEAD SCREW M5		1			
075	251896-4	SCREW M5X20		1			
076	231007-7	COMPRESSION SPRING 6		1			
077	319715-1	ANGULAR PLATE		1			
078	941151-9	FLAT WASHER 6		1	*		
079	266735-5	HEX.BOLT M6X20		1	*		
079-1	265B21-3	HEX.BOLT M6X20	S	1			
080	271446-9	LEVER 45		1			
081	257982-9	BOW STOP RING E-8		1			

082	347398-7	BASE		1		
083	265085-5	+ COUNTERSUNK HEAD SCREW M4X8		2		
084	912212-2	COUNTERSUNK HEAD SCREW M5 X12		4		
085	266436-5	H.S.SET SCREW(FLAT POINT)M5X 8		3		
086	620K37-3	CONTROLLER B	S	1		
087	652119-7	PAN HEAD SCREW M2X6	S	6		
A01	783203-8	HEX. WRENCH 5		1		
A02	B-62985	TCT BLADE165X25T WOOD EFFIC UT		1		
A03	164095-8	GUIDE RULE		1		
A04	199230-9	DUST NOZZLE SET		1		
C10	911233-1	PAN HEAD SCREW M5X20		1		
F01	199140-0	GUIDE RAIL 1000 SET		1		
F02	194367-7	GUIDE RAIL 3000 SET		1		
F03	194368-5	GUIDE RAIL 1400 SET		1		
F04	199141-8	GUIDE RAIL 1500 SET		1		
F05	194416-0	SHEET 10000 SET		1		
F06	194417-8	RUBBER SHEET 10000 SET		1		
F07	194418-6	POSITION SHEET 1400 SET		1		
F09	194910-2	POSITION SHEET 1900 SET		1		
F11	194925-9	GUIDE RAIL 1900 SET		1		
F13	196664-7	BEVEL GUIDE SET		1	*	
F15	199231-7	HOOK SET		1		
F16	199232-5	GUIDE RAIL ADAPTER I SET		1		
A05	817N16-0	DHS660RTJ INDICATION LABEL		1		
A06	817N17-8	DHS660RTJ PLASTIC CASE LABEL		2		
A07	821551-8	CONNECTOR PLASTIC CASE (TYPE3)		1		
C10	453974-8	LATCH		4		
A09	450128-8	BATTERY COVER		1		
C10	453974-8	LATCH		4		
A06	196399-0	BATTERY BL1840 SET		2	*	
A06-1	196399-0	BATTERY BL1840 SET	O	2	*	
A06-2	197265-4	BATTERY BL1840B SET	<	2	*	
A06-3	197265-4	BATTERY BL1840B SET	O	2		
A08	839752-4	INNER TRAY		1		
A09	450128-8	BATTERY COVER		1		
A10	***DC18RC	DC18RC FAST CHARGER		1		
D10		COMPO-PARTS				
A11	197280-8	BATTERY BL1850B SET		2	*	
A11-1	197280-8	BATTERY BL1850B SET	O	2		

Please state Parts No. when your order.

Print Date 08/28/2024