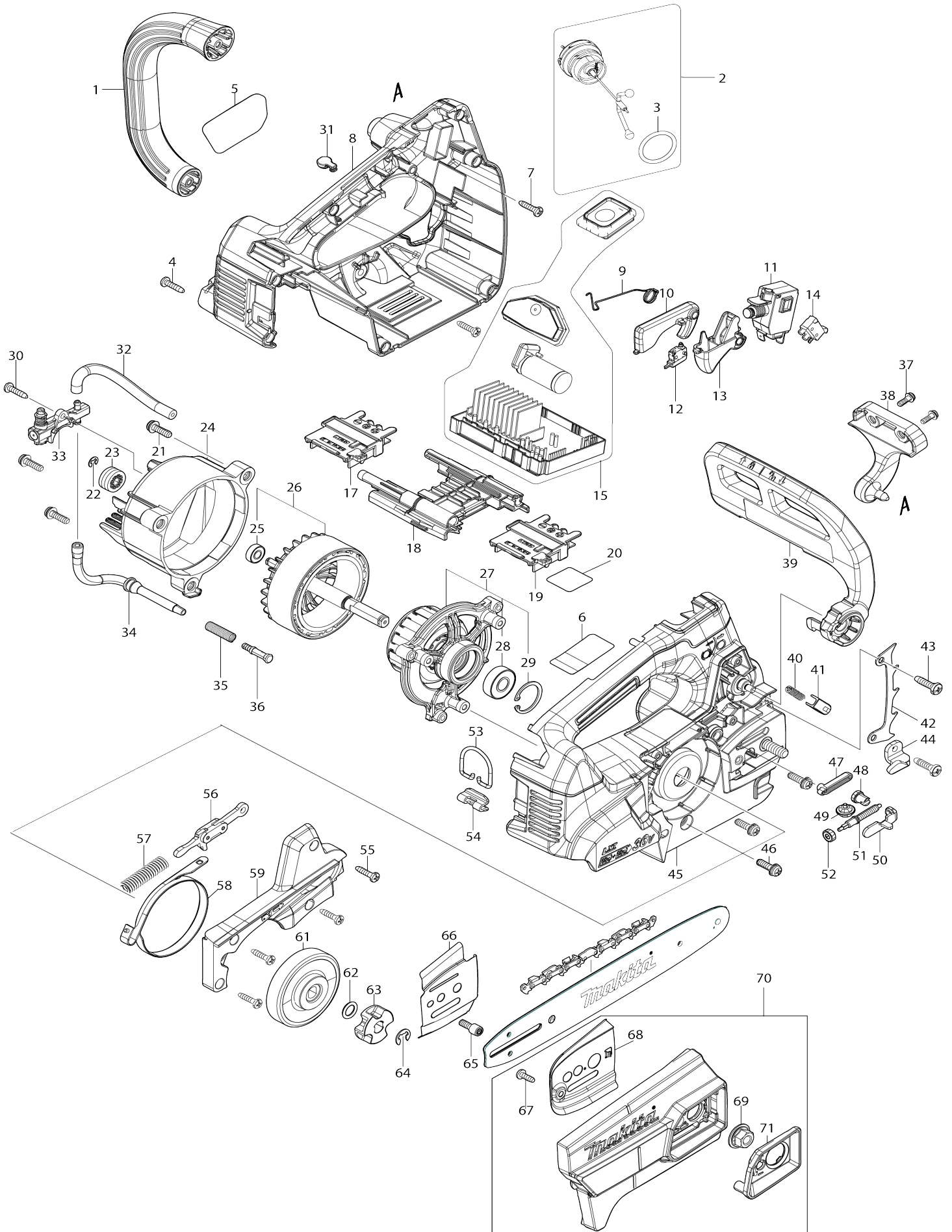


Model No.DUC256 250MM CORDLESS CHAIN SAW



Model No.DUC256 250MM CORDLESS CHAIN SAW

| Item No. | Parts No. | Description | Interchangability | Q'ty | New/Old | Note1 | Note2 |
|----------|-----------|-------------------------|-------------------|------|---------|-------|-------|
| 001 | 459275-2 | FRONT HANDLE | | 1 | | | |
| 002 | 126832-8 | TANK CAP ASSEMBLY | | 1 | | | |
| 002 | | INC. 3 | | | | | |
| 003 | 213355-6 | O-RING 25 | | 1 | * | | |
| 003-1 | 213894-6 | O-RING 25 | O | 1 | * | | |
| 003-2 | 213A11-4 | O-RING 25 | O | 1 | | | |
| 004 | 266326-2 | TAPPING SCREW 4X18 | | 9 | | | |
| 005 | 819S61-1 | DUC256 MODEL NO. LABEL | | 1 | * | | |
| 005-1 | 810R17-1 | MAKITA LOGO LABEL | O | 1 | | | |
| 006 | 856A03-6 | DUC256 NAME PLATE | | 1 | * | | |
| 006-1 | 856A03-6 | DUC256 NAME PLATE | O | 1 | | | |
| 007 | 266326-2 | TAPPING SCREW 4X18 | | 2 | | | |
| 008 | 183N15-7 | HOUSING SET | | 1 | | | |
| C10 | 263005-3 | RUBBER PIN 6 | | 2 | | | |
| C20 | 424170-5 | VALVE | | 1 | | | |
| C30 | 454724-4 | SINTER INSERT | | 1 | | | |
| 008 | | INC. 45 | | | | | |
| 009 | 232509-6 | TORSION SPRING 10 | | 1 | | | |
| 010 | 459268-9 | CATCH LEVER | | 1 | | | |
| 011 | 651365-9 | SWITCH C3JW-6BM-P | | 1 | | | |
| 012 | 632L49-0 | SWITCH UNIT | | 1 | | | |
| 013 | 459267-1 | SWITCH LEVER | | 1 | | | |
| 014 | 632L48-2 | SWITCH UNIT | | 1 | | | |
| 015 | 140K82-7 | CONTROLLER COMPLETE | | 1 | * | | |
| C10 | 819R38-0 | INDICATION LABEL | | 1 | * | | |
| C20 | 819S81-5 | SWITCH LABEL | | 1 | * | | |
| 015-1 | 141J62-0 | CONTROLLER COMPLETE | < | 1 | | | |
| C10 | 819R38-0 | INDICATION LABEL | | 1 | | | |
| C20 | 819S81-5 | SWITCH LABEL | | 1 | | | |
| 017 | 643874-2 | TERMINAL | | 1 | | | |
| 018 | 140K81-9 | CENTER CASE COMPLETE | | 1 | * | | |
| C10 | 263005-3 | RUBBER PIN 6 | | 2 | * | | |
| 018-1 | 140V36-0 | CENTER CASE COMPLETE | < | 1 | | | |
| C10 | 263005-3 | RUBBER PIN 6 | | 2 | | | |
| 019 | 643874-2 | TERMINAL | | 1 | | | |
| 020 | 856A05-2 | DUC256 SERIAL NO. LABEL | | 1 | | | |
| 021 | 911228-4 | PAN HEAD SCREW M5X18 | | 3 | | | |
| 022 | 961011-9 | STOP RING E-4 | | 1 | | | |
| 023 | 226884-0 | WORM GEAR | | 1 | | | |
| 024 | 459276-0 | MOTOR HOUSING | | 1 | | | |
| 025 | 210026-6 | BALL BEARING 696ZZ | | 1 | | | |
| 026 | 519576-1 | ROTOR ASS'Y | | 1 | | | |
| 026 | | INC. 25 | | | | | |
| 027 | 529420-4 | STATOR ASS'Y | | 1 | * | | |
| 027 | | INC. 28,29 | | | * | | |
| 027-1 | 520146-1 | STATOR ASSY | O | 1 | | | |
| 027-1 | | INC. 28,29 | | | | | |

| | | | | | | | |
|-------|----------|-----------------------------|---|---|---|--|--|
| 028 | 210059-1 | BALL BEARING 6000DDW | | 1 | * | | |
| 028-1 | 210274-7 | BALL BEARING 6000DDW | O | 1 | | | |
| 029 | 962105-3 | RETAINING RING R-26 | | 1 | | | |
| 030 | 266326-2 | TAPPING SCREW 4X18 | | 1 | | | |
| 031 | 422467-6 | CAP | | 1 | | | |
| 032 | 422451-1 | OIL TUBE 3-100 | | 1 | | | |
| 033 | 142156-4 | OIL PUMP COMPLETE | | 1 | * | | |
| 033-1 | 142156-4 | OIL PUMP COMPLETE | O | 1 | | | |
| 034 | 422452-9 | OIL TUBE 3-130 | | 1 | | | |
| 035 | 231975-4 | SPRING | | 1 | | | |
| 036 | 452666-6 | NIPPLE | | 1 | * | | |
| 036-1 | 452666-6 | NIPPLE | O | 1 | | | |
| 037 | 911118-1 | PAN HEAD SCREW M4X12 | | 2 | | | |
| 038 | 459270-2 | FRONT HAND GUARD RETAINER | | 1 | | | |
| 039 | 140K79-6 | FRONT HAND GUARD COMPLETE | | 1 | | | |
| C10 | 819S75-0 | CAUTION LABEL | | 1 | | | |
| 040 | 234210-9 | COMPRESSION SPRING 3 | | 1 | | | |
| 041 | 313212-9 | HAND GUARD GUIDE | | 1 | | | |
| 042 | 346809-9 | SPIKE BUMPER | | 1 | | | |
| 043 | 266420-0 | TAPPING SCREW 5X20 | | 2 | * | | |
| 043-1 | 265C57-8 | TAPPING SCREW 5X20 | O | 2 | | | |
| 044 | 347516-7 | CHAIN CATCHER | | 1 | | | |
| 045 | 183N15-7 | HOUSING SET | | 1 | | | |
| C10 | 263005-3 | RUBBER PIN 6 | | 2 | | | |
| C20 | 424170-5 | VALVE | | 1 | | | |
| C30 | 454724-4 | SINTER INSERT | | 1 | | | |
| 045 | | INC. 8 | | | | | |
| 046 | 911228-4 | PAN HEAD SCREW M5X18 | | 3 | | | |
| 047 | 422466-8 | GROMET | | 1 | | | |
| 048 | 227620-7 | DRIVE GEAR 14 | | 1 | | | |
| 049 | 227634-6 | STRAIGHT BEVEL GEAR 14 | | 1 | | | |
| 050 | 347517-5 | TENSION SLIDE | | 1 | | | |
| 051 | 327317-9 | ADJUST SCREW | | 1 | | | |
| 052 | 227496-2 | STRAIGHT BEVEL GEAR 14 | | 1 | | | |
| 053 | 281222-3 | HOOK | | 1 | | | |
| 054 | 347514-1 | HOOK SUPPORT | | 1 | | | |
| 055 | 266326-2 | TAPPING SCREW 4X18 | | 4 | | | |
| 056 | 140A74-6 | LINK PLATE COMPLETE | | 1 | | | |
| 057 | 232452-9 | COMPRESSION SPRING 7 | | 1 | | | |
| 058 | 347515-9 | BRAKE BAND COMPLETE | | 1 | | | |
| 059 | 459273-6 | HOUSING R COVER | | 1 | | | |
| 061 | 162638-0 | BRAKE DRUM COMPLETE | | 1 | | | |
| 062 | 213060-5 | O RING 10 | | 1 | | | |
| 063 | 221464-7 | SPROCKET 6 | | 1 | | | |
| 064 | 961013-5 | STOP RING E-7 | | 1 | | | |
| 065 | 266905-6 | H.L. SOCKET HEAD BOLT M5X12 | | 1 | | | |
| 066 | 347533-7 | GUIDE PLATE L | | 1 | | | |
| 067 | 266427-6 | TAPPING SCREW 4X12 | | 1 | * | | |
| 067-1 | 265C54-4 | TAPPING SCREW 4X12 | O | 1 | | | |
| 068 | 347534-5 | GUIDE PLATE R | | 1 | | | |
| 069 | 162494-8 | FLANGE NUT COMPLETE | | 1 | | | |
| 070 | 136138-6 | SPROCKET COVER ASS'Y | | 1 | | | |

| | | | | | | |
|-------|----------|-------------------------------|---|---|---|--|
| 070 | | INC. 67-69,71 | | | | |
| 071 | 459278-6 | NUT COVER | | 1 | | |
| A01 | 161846-0 | GUIDE BAR 10 | | 1 | * | |
| A01-1 | 161846-0 | GUIDE BAR 10 | O | 1 | | |
| A02 | 458501-6 | GUIDE BAR CASE | | 1 | * | |
| A02-1 | 458501-6 | GUIDE BAR CASE | O | 1 | | |
| A03 | 199075-5 | SAW CHAIN SET | | 1 | * | |
| A03-1 | 191H00-0 | SAW CHAIN 10 SET | O | 1 | | |
| A05 | 782023-7 | WRENCH 13-16 | | 1 | | |
| E01 | 817D83-5 | CAUTION TAG | | 1 | * | |
| E01-1 | 8032W7-6 | CAUTION TAG | < | 1 | | |
| E02 | 805011-8 | SOUND 103DB LABEL | | 1 | | |
| F13 | 195093-1 | CHAIN OIL SET | | 1 | | |
| F14 | 195923-6 | ROUND FILE 4.5 SET | | 1 | * | |
| F14-1 | D-70954 | FILE HOLDER SET 4.5MM(11/64") | O | 1 | | |
| F15 | 196205-9 | SAW CHAIN SET | | 1 | * | |
| F15-1 | 191H08-4 | SAW CHAIN 10 SET | O | 1 | | |
| F16 | 196206-7 | SAW CHAIN SET | | 1 | * | |
| F25 | 196740-7 | SAW CHAIN SET | | 1 | * | |
| F25-1 | 191H01-8 | SAW CHAIN 12 SET | O | 1 | | |
| F29 | 198457-8 | CHAIN EDGER SET | | 1 | * | |
| F29-1 | D-70948 | FILE HOLDER SET 4.0MM(5/32") | O | 1 | | |
| F31 | 199075-5 | SAW CHAIN SET | | 1 | * | |

Please state Parts No. when your order.

Print Date 30/12/2024