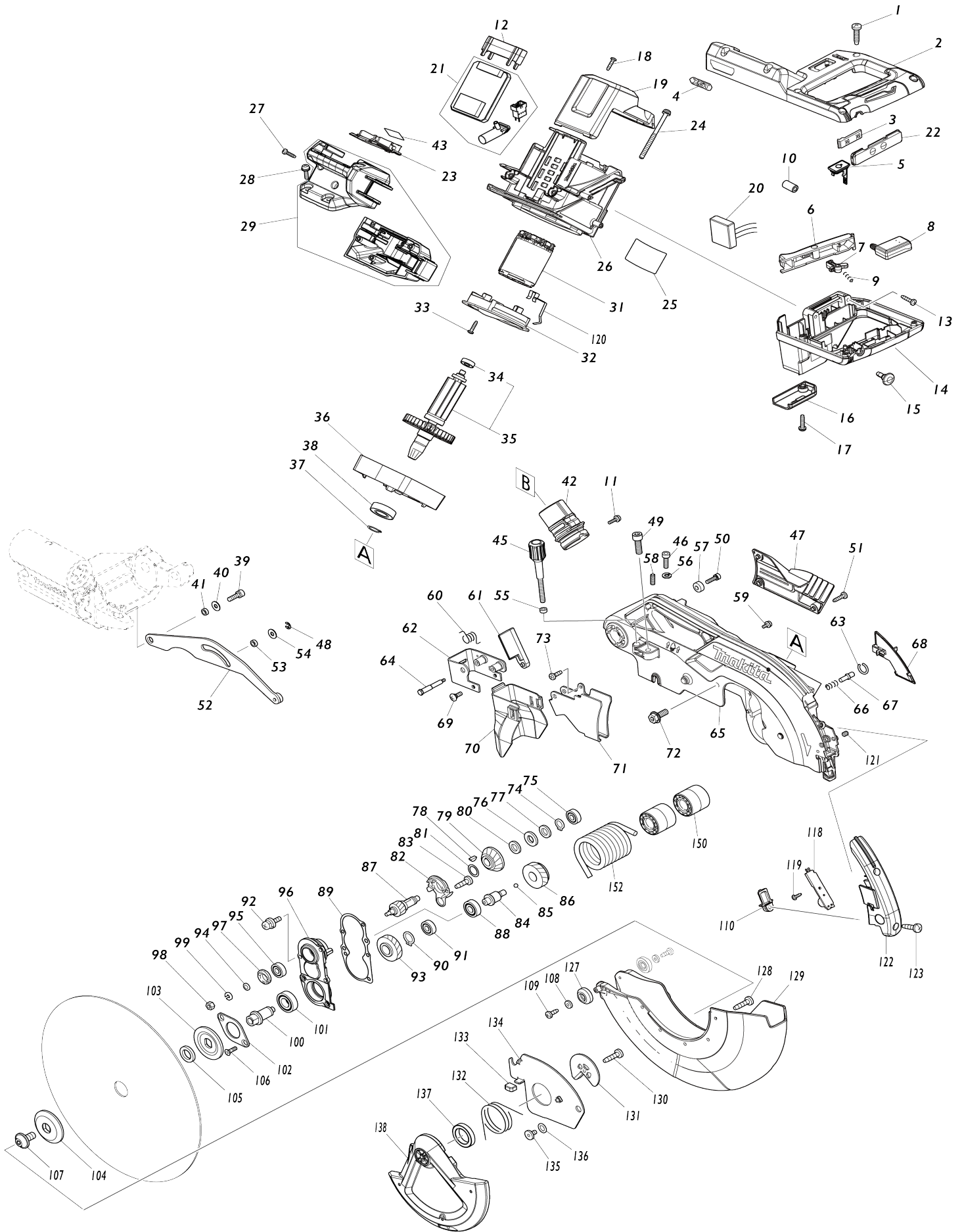
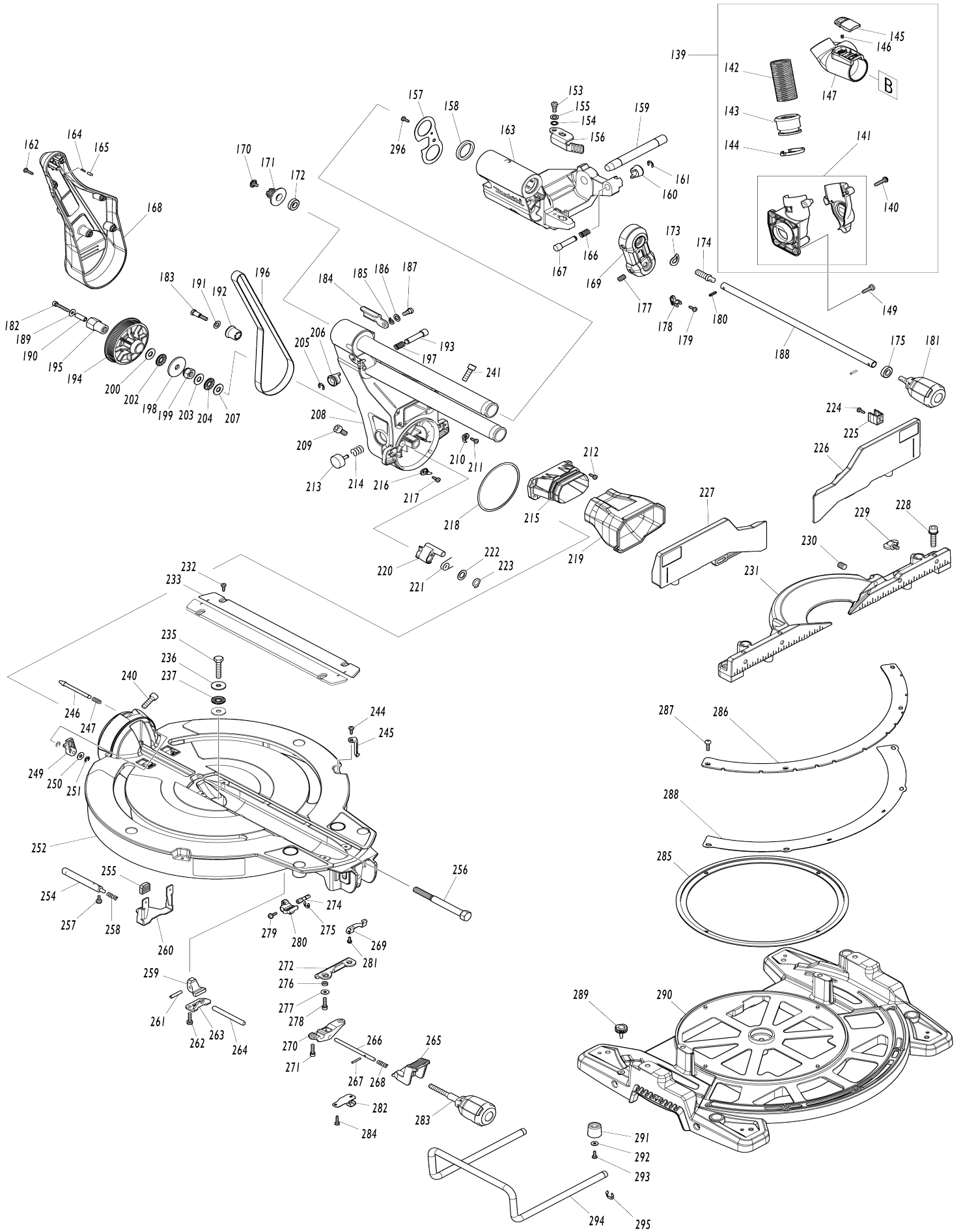


Model No.LS004G 260MM DC SLIDE CPD. MITER SAW



Model No.LS004G 260MM DC SLIDE CPD. MITER SAW



Model No.LS004G 260MM DC SLIDE CPD. MITER SAW

| Item No. | Parts No. | Description | Interchangability | Q'ty | New/Old | Note1 | Note2 |
|----------|-----------|------------------------------|-------------------|------|---------|-------|-------|
| 001 | 265995-6 | TAPPING SCREW 4X18 | | 6 | | | |
| 002 | 183T58-5 | HANDLE HANDLE COVER SET | | 1 | | | |
| C10 | 810486-8 | CAUTION LABEL | | 1 | | | |
| 002 | | INC. 14 | | | | | |
| 003 | 631973-2 | SWITCH UNIT | | 1 | | | |
| 004 | 8032A7-2 | XGT LOGO LABEL | | 1 | | | |
| 005 | 140G30-2 | CAP COMPLETE | | 1 | | | |
| C10 | 213218-6 | O RING 16 | | 1 | * | | |
| C11 | 213A05-9 | O-RING16 | O | 1 | | | |
| C20 | 818H48-4 | CAP LABEL | | 1 | | | |
| 006 | 457935-0 | SWITCH LEVER | | 1 | | | |
| 007 | 416356-5 | LOCK-OFF LEVER | | 1 | | | |
| 008 | 651083-9 | SWITCH C3XA-1PSPM | | 1 | | | |
| 009 | 231026-3 | COMPRESSION SPRING 4 | | 1 | | | |
| 010 | 688163-8 | LINE FILTER | | 1 | | | |
| 011 | 911123-8 | PAN HEAD SCREW M4X14 | | 1 | | | |
| 012 | 413590-8 | SPACER | | 1 | | | |
| 013 | 265995-6 | TAPPING SCREW 4X18 | | 3 | | | |
| 014 | 183T58-5 | HANDLE HANDLE COVER SET | | 1 | | | |
| C10 | 810486-8 | CAUTION LABEL | | 1 | | | |
| 014 | | INC. 2 | | | | | |
| 015 | 451037-4 | SWITCH BUTTON | | 1 | | | |
| 016 | 451000-7 | LEAD COVER HOLDER | | 1 | | | |
| 017 | 265995-6 | TAPPING SCREW 4X18 | | 1 | | | |
| 018 | 265995-6 | TAPPING SCREW 4X18 | | 2 | | | |
| 019 | 457933-4 | REAR COVER | | 1 | | | |
| 020 | 620E08-4 | POWER SUPPLY CIRCUIT | | 1 | | | |
| 021 | 620F17-9 | CONTROLLER | | 1 | | | |
| 022 | 141C22-0 | SWITCH PLATE COMPLETE | | 1 | | | |
| C10 | 8032A8-0 | SWITCH LABEL | | 1 | | | |
| 023 | 632P65-6 | TERMINAL UNIT | | 1 | | | |
| 024 | 911948-0 | PAN HEAD SCREW M6X80 WITH WR | | 4 | | | |
| 025 | 811T43-5 | LS004G NAME PLATE | | 1 | | | |
| 026 | 457906-7 | MOTOR HOUSING | | 1 | | | |
| 027 | 265995-6 | TAPPING SCREW 4X18 | | 3 | | | |
| 028 | 911243-8 | PAN HEAD SCREW M5X25 | | 2 | | | |
| 029 | 183T51-9 | BATTERY HOUSING SET | | 1 | | | |
| C10 | 263005-3 | RUBBER PIN 6 | | 2 | | | |
| 031 | 629A76-0 | STATOR | | 1 | | | |
| 032 | 413E35-6 | BAFFLE PLATE | | 1 | | | |
| 033 | 265995-6 | TAPPING SCREW 4X18 | | 2 | | | |
| 034 | 211021-9 | BALL BEARING 607LLB | | 1 | | | |
| 035 | 519454-5 | ROTOR ASS'Y | | 1 | | | |
| 035 | | INC. 34 | | | | | |
| 036 | 312B60-5 | MOTOR BRACKET | | 1 | | | |
| 037 | 961057-5 | RETAINING RING S-17 | | 1 | | | |
| 038 | 210301-0 | BALL BEARING 6003DDW | | 1 | | | |

| | | | | | | |
|-------|----------|------------------------------------|---|---|---|--|
| 039 | 922331-6 | HEX. SOCKET HEAD BOLT M6X20 | | 1 | | |
| 040 | 253804-1 | FLAT WASHER 6 | | 1 | | |
| 041 | 257163-5 | RING 6 | | 1 | | |
| 042 | 459250-8 | DUST NOZZLE | | 1 | | |
| 043 | 811T49-3 | LS004G SERIAL NO. LABEL | | 1 | | |
| 045 | 251554-2 | THUMB SCREW M6X40 | | 1 | | |
| 046 | 922332-4 | HEX. SOCKET HEAD BOLT M6X20 | | 1 | | |
| 047 | 457667-9 | LOGO PLATE | | 1 | | |
| 048 | 961018-5 | STOP RING E-5 | | 1 | | |
| 049 | 251547-9 | HEX.SOCKET HEAD BOLT M8X25 | | 1 | | |
| 050 | 922226-3 | HEX. SOCKET HEAD BOLT M5X18 | | 1 | | |
| 051 | 266034-5 | TAPPING SCREW CT 4X16 | | 3 | | |
| 052 | 144529-7 | LINK PLATE COMPLETE | | 1 | | |
| 053 | 257163-5 | RING 6 | | 1 | | |
| 054 | 253804-1 | FLAT WASHER 6 | | 1 | | |
| 055 | 262190-9 | URETHANE RING 5 | | 1 | | |
| 056 | 253428-3 | SPRING WASHER 6 | | 1 | | |
| 057 | 257785-1 | SLEEVE 6 | | 1 | | |
| 058 | 266321-2 | H.S.SET SCREW(FLAT POINT)M6X 16 | | 1 | | |
| 059 | 911114-9 | PAN HEAD SCREW M4X10 | | 2 | | |
| 060 | 232412-1 | TORSION SPRING 11 | | 1 | | |
| 061 | 457764-1 | DUST GUIDE PLATE | | 1 | | |
| 062 | 161647-6 | GUARD HOLDER | | 1 | | |
| 063 | 231928-3 | RING SPRING 8 | | 1 | | |
| 064 | 251544-5 | SHOULDER HEX. BOLT M4 | | 1 | | |
| 065 | 141C76-7 | BLADE CASE COMPLETE | | 1 | | |
| C10 | 263005-3 | RUBBER PIN 6 | | 3 | | |
| 066 | 231240-1 | COMPRESSION SPRING 7 | | 1 | | |
| 067 | 256633-1 | PIN 6 | | 1 | | |
| 068 | 457659-8 | LEAD COVER | | 1 | | |
| 069 | 265028-7 | + PAN HEAD SCREW M4X11 | | 1 | * | |
| 069-1 | 265D50-8 | +PAN HEAD SCREW M4X11 | O | 1 | * | |
| 069-2 | 265028-7 | + PAN HEAD SCREW M4X11 | O | 1 | | |
| 070 | 422155-5 | GUARD | | 1 | | |
| 071 | 347215-1 | GUARD PLATE | | 1 | | |
| 072 | 266283-4 | HEX. SOCKET HEX. BOLT M8X20 | | 1 | | |
| 073 | 266020-6 | TAPPING SCREW 4X12 | | 1 | | |
| 074 | 961052-5 | RETAINING RING (EXT) S-12 | | 1 | | |
| 075 | 210005-4 | BALL BEARING 608DDW | | 1 | | |
| 076 | 261104-5 | RUBBER WASHER 12 | | 1 | | |
| 077 | 253744-3 | FLAT WASHER 12 | | 1 | | |
| 078 | 254001-2 | WOODRUFF KEY 4 | | 1 | | |
| 079 | 227550-2 | SPIRAL BEVEL GEAR 32 | | 1 | | |
| 080 | 253744-3 | FLAT WASHER 12 | | 1 | | |
| 081 | 253313-0 | THIN WASHER 14 | | 1 | | |
| 082 | 451002-3 | GREASE HOLDER | | 1 | | |
| 083 | 266026-4 | TAPPING SCREW BIND CT 4X12 | | 2 | | |
| 084 | 325643-0 | GEAR SHAFT | | 1 | | |
| 085 | 216049-2 | STEEL BALL 4 | | 1 | | |
| 086 | 227702-5 | HELICAL GEAR 27 | | 1 | | |
| 087 | 227701-7 | HELICAL GEAR 14 | | 1 | | |

| | | | | | | |
|-------|----------|-----------------------------------|---|---|---|--|
| 088 | 210067-2 | BALL BEARING 6000ZZ | | 1 | | |
| 089 | 442147-8 | GASKET | | 1 | | |
| 090 | 961055-9 | RETAINING RING S-15 | | 1 | | |
| 091 | 210005-4 | BALL BEARING 608DDW | | 1 | | |
| 092 | 911223-4 | PAN HEAD SCREW M5X16 | | 3 | | |
| 093 | 227703-3 | HELICAL GEAR 28 | | 1 | | |
| 094 | 267010-2 | FLAT WASHER 5 | | 1 | | |
| 095 | 210005-4 | BALL BEARING 608DDW | | 1 | | |
| 096 | 158957-0 | BEARING BOX COMPLETE | | 1 | | |
| C10 | 263002-9 | RUBBER PIN 4 | | 1 | | |
| 097 | 285847-5 | BEARING RETAINER 14-23 | | 1 | | |
| 098 | 931202-6 | HEX. NUT M5 | | 1 | | |
| 099 | 253427-5 | SPRING WASHER 5 | | 1 | | |
| 100 | 325644-8 | SPINDLE | | 1 | | |
| 101 | 211236-8 | BALL BEARING 6002DDW | | 1 | | |
| 102 | 285732-2 | BEARING RETAINER 51 | | 1 | | |
| 103 | 224431-1 | INNER FLANGE 53 | | 1 | | |
| 104 | 224432-9 | OUTER FLANGE 53 | | 1 | | |
| 105 | 257262-3 | RING 16 | | 1 | | |
| 106 | 265034-2 | + COUNTERSUNK HEAD SCREW M5X16 | | 2 | * | |
| 106-1 | 265D49-3 | +COUNTERSUNK HEAD SCREW M 5X16 | O | 2 | * | |
| 106-2 | 265034-2 | + COUNTERSUNK HEAD SCREW M5X16 | O | 2 | | |
| 107 | 266755-9 | HEX.SOCKET HEAD BOLT M10X2 0 | | 1 | | |
| 108 | 941051-3 | FLAT WASHER 4 | | 2 | | |
| 109 | 266020-6 | TAPPING SCREW 4X12 | | 2 | | |
| 110 | 418104-8 | LENS | | 1 | | |
| 118 | 620F05-6 | LED CIRCUIT | | 1 | | |
| 119 | 266421-8 | TAPPING SCREW 3X10 | | 1 | | |
| 120 | 347947-0 | PLATE | | 1 | * | |
| 120-1 | 654888-6 | EARTH PLATE | O | 1 | | |
| 121 | 266264-8 | H.S.SET SCREW(FLAT POINT)M5X 6 | | 2 | | |
| 122 | 141D32-3 | LED COVER COMPLETE | | 1 | | |
| C10 | 8024V4-4 | CAUTION LABEL | | 1 | | |
| 123 | 266034-5 | TAPPING SCREW CT 4X16 | | 2 | | |
| 127 | 424193-3 | ROLLER | | 2 | | |
| 128 | 266385-6 | TAPPING SCREW 4X14 | | 3 | | |
| 129 | 413825-7 | SAFETY COVER B | | 1 | | |
| 130 | 266385-6 | TAPPING SCREW 4X14 | | 1 | | |
| 131 | 347213-5 | CENTER PLATE | | 1 | | |
| 132 | 231634-0 | TORSION SPRING 45 | | 1 | | |
| 133 | 424190-9 | CUSHION | | 1 | | |
| 134 | 347835-1 | CENTER COVER | | 1 | | |
| 135 | 265985-9 | HEX.SOCKET HEAD BOLT M6 | | 1 | | |
| 136 | 253932-2 | WAVE WASHER 10 | | 1 | | |
| 137 | 210168-6 | BALL BEARING 6805DDW | | 1 | | |
| 138 | 458437-9 | SAFETY COVER A | | 1 | | |
| 139 | 127427-0 | DUST NOZZLE ASSEMBLY | | 1 | * | |
| 139 | | INC. 140-147 | | | * | |

| | | | | | | | |
|-------|----------|-----------------------------|---|---|---|--|--|
| 139-1 | 127427-0 | DUST NOZZLE ASSEMBLY | O | 1 | | | |
| 139-1 | | INC. 141-147 | | | | | |
| 140 | 265995-6 | TAPPING SCREW 4X18 | | 3 | * | | |
| 141 | 183H71-1 | HOSE CONNECTOR SET | | 1 | * | | |
| 141-1 | 413J67-3 | HOSE CONNECTOR | S | 1 | | | |
| 142 | 245041-1 | HOSE 28-0.45 | | 1 | | | |
| 143 | 457672-6 | SLEEVE | | 1 | | | |
| 144 | 457673-4 | STOPPER | | 1 | | | |
| 145 | 458939-5 | BUTTON A | | 1 | | | |
| 146 | 232485-4 | COMPRESSION SPRING 5 | | 1 | | | |
| 147 | 459249-3 | HOSE JOINT | | 1 | | | |
| 149 | 266034-5 | TAPPING SCREW CT 4X16 | | 3 | | | |
| 150 | 457665-3 | SLEEVE 17 | | 2 | | | |
| 152 | 233537-4 | TORSION SPRING 35 | | 1 | | | |
| 153 | 251267-5 | + PAN HEAD SCREW M6 | | 1 | | | |
| 154 | 253948-7 | WAVE WASHER 8 | | 1 | | | |
| 155 | 253835-0 | FLAT WASHER 8 | | 1 | | | |
| 156 | 347221-6 | STOPPER ARM | | 1 | | | |
| 157 | 347222-4 | FRONT ARM PLATE | | 1 | | | |
| 158 | 262076-7 | FELT RING 30 | | 2 | | | |
| 159 | 326994-4 | ROD 16 | | 1 | | | |
| 160 | 271437-0 | KNOB 22 | | 1 | | | |
| 161 | 961013-5 | STOP RING E-7 | | 1 | | | |
| 162 | 266034-5 | TAPPING SCREW CT 4X16 | | 4 | | | |
| 163 | 141C83-0 | FRONT ARM COMPLETE | | 1 | | | |
| C10 | 263005-3 | RUBBER PIN 6 | | 2 | | | |
| 164 | 233151-6 | COMPRESSION SPRING 4 | | 1 | | | |
| 165 | 256364-2 | PIN 4 | | 1 | | | |
| 166 | 232384-0 | COMPRESSION SPRING 10 | | 1 | | | |
| 167 | 326977-4 | STOPPER PIN | | 1 | | | |
| 168 | 457653-0 | ARM COVER | | 1 | | | |
| 169 | 141C11-5 | HOLDER COMPLETE | | 1 | | | |
| C10 | 812X89-8 | INDICATION LABEL | | 1 | | | |
| 170 | 265008-3 | + FLAT HEAD SCREW M5 | | 1 | | | |
| 171 | 222191-9 | PULLEY 17-19.3 | | 1 | | | |
| 172 | 210167-8 | BALL BEARING 6900LLB | | 1 | | | |
| 173 | 267804-5 | WAVE WASHER 15 | | 1 | | | |
| 174 | 326975-8 | SHAFT | | 1 | | | |
| 175 | 210167-8 | BALL BEARING 6900LLB | | 1 | | | |
| 177 | 913416-9 | SET SCREW M8X12 | | 2 | | | |
| 178 | 416536-3 | WRENCH HOLDER | | 1 | | | |
| 179 | 266026-4 | TAPPING SCREW BIND CT 4X12 | | 1 | | | |
| 180 | 951107-4 | SPRING PIN 4-14 | | 2 | | | |
| 181 | 273016-0 | GRIP 50 B | | 1 | | | |
| 182 | 265919-2 | HEX. SOCKET HEAD BOLT M5X30 | | 1 | | | |
| 183 | 251545-3 | SHOULDER HEX. BOLT M6 | | 1 | | | |
| 184 | 144657-8 | STOPPER LEVER COMPLETE | | 1 | | | |
| C10 | 812X87-2 | INDICATION LABEL | | 1 | | | |
| 185 | 253948-7 | WAVE WASHER 8 | | 1 | | | |
| 186 | 253835-0 | FLAT WASHER 8 | | 1 | | | |
| 187 | 251267-5 | + PAN HEAD SCREW M6 | | 1 | | | |
| | | | | | | | |

| | | | | | | |
|-----|----------|---------------------------------|--|---|--|--|
| 188 | 326987-1 | PIN 9-365 | | 1 | | |
| 189 | 253194-2 | FLAT WASHER 5 | | 1 | | |
| 190 | 257426-9 | SLEEVE 5 | | 1 | | |
| 191 | 253165-9 | FLAT WASHER 8 | | 1 | | |
| 192 | 457666-1 | SLEEVE 20 | | 1 | | |
| 193 | 326977-4 | STOPPER PIN | | 1 | | |
| 194 | 222192-7 | PULLEY 17-87.8 | | 1 | | |
| 195 | 326980-5 | HEX.LOCK NUT M10-19 | | 1 | | |
| 196 | 225101-5 | SYNCHRO BELT 15-756 | | 1 | | |
| 197 | 232384-0 | COMPRESSION SPRING 10 | | 1 | | |
| 198 | 253388-9 | FLAT WASHER 10 | | 1 | | |
| 199 | 252244-0 | HEX.LOCK NUT M10-17 | | 1 | | |
| 200 | 253024-7 | FLAT WASHER 10 | | 1 | | |
| 202 | 216413-7 | THRUST NEEDLE CAGE 1024 | | 1 | | |
| 203 | 253024-7 | FLAT WASHER 10 | | 1 | | |
| 204 | 216413-7 | THRUST NEEDLE CAGE 1024 | | 1 | | |
| 205 | 961013-5 | STOP RING E-7 | | 1 | | |
| 206 | 271437-0 | KNOB 22 | | 1 | | |
| 207 | 253024-7 | FLAT WASHER 10 | | 1 | | |
| 208 | 141C80-6 | ARM COMPLETE | | 1 | | |
| C10 | 812X88-0 | INDICATION LABEL | | 1 | | |
| 209 | 251547-9 | HEX.SOCKET HEAD BOLT M8X25 | | 1 | | |
| 210 | 457871-0 | INDICATION PLATE R | | 1 | | |
| 211 | 266026-4 | TAPPING SCREW BIND CT 4X12 | | 1 | | |
| 212 | 266034-5 | TAPPING SCREW CT 4X16 | | 4 | | |
| 213 | 415208-7 | RELEASE BUTTON | | 1 | | |
| 214 | 233031-6 | COMPRESSION SPRING 12 | | 1 | | |
| 215 | 457654-8 | DUST GUIDE HOLDER | | 1 | | |
| 216 | 457870-2 | INDICATION PLATE L | | 1 | | |
| 217 | 266026-4 | TAPPING SCREW BIND CT 4X12 | | 1 | | |
| 218 | 253389-7 | WASHER 94 | | 1 | | |
| 219 | 422156-3 | DUST GUIDE | | 1 | | |
| 220 | 319593-9 | STOPPER | | 1 | | |
| 221 | 231646-3 | TORSION SPRING 14 | | 1 | | |
| 222 | 253744-3 | FLAT WASHER 12 | | 1 | | |
| 223 | 961052-5 | RETAINING RING (EXT) S-12 | | 1 | | |
| 224 | 266026-4 | TAPPING SCREW BIND CT 4X12 | | 2 | | |
| 225 | 457668-7 | HOLDER | | 2 | | |
| 226 | 141C82-2 | UPPER FENCE R COMPLETE | | 1 | | |
| C10 | 810503-4 | CAUTION LABEL | | 1 | | |
| 227 | 141C81-4 | UPPER FENCE L COMPLETE | | 1 | | |
| C10 | 810503-4 | CAUTION LABEL | | 1 | | |
| 228 | 922458-2 | H.S.H.BOLT M8X35 WITH WR | | 4 | | |
| 229 | 251887-5 | SCREW M6X10 | | 2 | | |
| 230 | 251561-5 | H.SOCKET HEAD SET SCREW M10 X12 | | 2 | | |
| 231 | 312B37-0 | GUIDE FENCE | | 1 | | |
| 232 | 266026-4 | TAPPING SCREW BIND CT 4X12 | | 4 | | |
| 233 | 413826-5 | KERF BOARD | | 2 | | |
| 235 | 265442-7 | HEX. BOLT M8X40 | | 1 | | |
| 236 | 253852-0 | FLAT WASHER 8 | | 2 | | |
| 237 | 216413-7 | THRUST NEEDLE CAGE 1024 | | 1 | | |

| | | | | | |
|-----|----------|------------------------------|---|--|--|
| 240 | 251547-9 | HEX.SOCKET HEAD BOLT M8X25 | 1 | | |
| 241 | 251547-9 | HEX.SOCKET HEAD BOLT M8X25 | 1 | | |
| 244 | 266026-4 | TAPPING SCREW BIND CT 4X12 | 2 | | |
| 245 | 457702-3 | INDICATION PLATE | 2 | | |
| 246 | 326970-8 | LOCK PIN 8 | 1 | | |
| 247 | 234122-6 | COMPRESSION SPRING 6 | 1 | | |
| 249 | 457657-2 | LEVER 25 | 1 | | |
| 250 | 253804-1 | FLAT WASHER 6 | 1 | | |
| 251 | 961018-5 | STOP RING E-5 | 2 | | |
| 252 | 141E93-9 | TURN BASE COMPLETE | 1 | | |
| C10 | 813L22-1 | CAUTION LABEL | 2 | | |
| C20 | 812X86-4 | BEVEL SCALE LABEL | 1 | | |
| C30 | 812X85-6 | CAUTION LABEL | 1 | | |
| 254 | 326973-2 | ROD 12 | 1 | | |
| 255 | 286039-9 | CAP | 2 | | |
| 256 | 326976-6 | CENTER SHAFT | 1 | | |
| 257 | 911113-1 | PAN HEAD SCREW M4X10 WITH WR | 2 | | |
| 258 | 231325-3 | COMPRESSION SPRING 6 | 1 | | |
| 259 | 310803-7 | TURN STOPPER | 1 | | |
| 260 | 347217-7 | LEVER PLATE | 1 | | |
| 261 | 256186-0 | PIN 5 | 1 | | |
| 262 | 911231-5 | PAN HEAD SCREW M5X20 | 2 | | |
| 263 | 347219-3 | STOPPER HOLDER | 1 | | |
| 264 | 326971-6 | LOCK ROD | 1 | | |
| 265 | 457656-4 | LOCK LEVER | 1 | | |
| 266 | 326969-3 | LOCK PIN 6 | 1 | | |
| 267 | 256158-5 | PIN 3 | 1 | | |
| 268 | 233201-7 | COMPRESSION SPRING 6 | 1 | | |
| 269 | 347237-1 | CAM PLATE | 1 | | |
| 270 | 319592-1 | PIN HOLDER | 1 | | |
| 271 | 922231-0 | HEX. SOCKET HEAD BOLT M5X20 | 2 | | |
| 272 | 347216-9 | LOCK PLATE | 1 | | |
| 274 | 326972-4 | ROD 6 | 1 | | |
| 275 | 961011-9 | STOP RING E-4 | 1 | | |
| 276 | 257425-1 | RING 5 | 2 | | |
| 277 | 253194-2 | FLAT WASHER 5 | 2 | | |
| 278 | 922231-0 | HEX. SOCKET HEAD BOLT M5X20 | 2 | | |
| 279 | 911113-1 | PAN HEAD SCREW M4X10 WITH WR | 1 | | |
| 280 | 144656-0 | LEVER 25 COMPLETE | 1 | | |
| C10 | 263005-3 | RUBBER PIN 6 | 1 | | |
| 281 | 911008-8 | PAN HEAD SCREW M3X8 | 1 | | |
| 282 | 345272-3 | LOCK LEVER PLATE | 1 | | |
| 283 | 273015-2 | GRIP 50A | 1 | | |
| 284 | 266026-4 | TAPPING SCREW BIND CT 4X12 | 2 | | |
| 285 | 457655-6 | SLIDE PLATE | 1 | | |
| 286 | 347837-7 | MITER SCALE PLATE | 1 | | |
| 287 | 251546-1 | + PAN HEAD SCREW M5 | 4 | | |
| 288 | 347218-5 | MITER LOCK PLATE | 1 | | |
| 289 | 265786-5 | SCREW M5X16 | 2 | | |
| 290 | 312B35-4 | BASE | 1 | | |

| | | | | | | |
|-------|----------|-----------------------------------|---|---|---|--|
| 291 | 421845-7 | FOOT | | 4 | | |
| 292 | 267195-4 | FLAT WASHER 4 | | 4 | | |
| 293 | 266026-4 | TAPPING SCREW BIND CT 4X12 | | 4 | | |
| 294 | 327095-1 | HOLDER 200 | | 2 | | |
| 295 | 961015-1 | STOP RING E-9 | | 2 | | |
| 296 | 266026-4 | TAPPING SCREW BIND CT 4X12 | | 1 | | |
| A01 | 122852-0 | DUST BAG ASSY | | 1 | | |
| C10 | 410602-8 | FASTENER | | 1 | | |
| A02 | 126617-2 | WISE ASS'Y | | 1 | | |
| A03 | 762001-3 | TRIANGULAR RULE | | 1 | | |
| A05 | 198900-7 | WIRELESS UNIT SET | | 1 | * | |
| A05-1 | 198900-7 | WIRELESS UNIT SET | < | 1 | * | |
| A05-2 | 198900-7 | WIRELESS UNIT SET | O | 1 | * | |
| A05-3 | 198900-7 | WIRELESS UNIT SET | < | 1 | | |
| A06 | B-64624 | TCT BLADE260X45T WOOD EFFIC UT | | 1 | | |
| A07 | 781044-6 | HEX. WRENCH 6 | | 1 | | |
| F02 | 192628-9 | CROWN MOLDING STOPPER (L.R) | | 1 | | |
| F03 | 198688-9 | STAND SET | | 1 | | |
| F04 | 198687-1 | STAND SET | | 1 | | |

Please state Parts No. when your order.

Print Date 02/10/2024