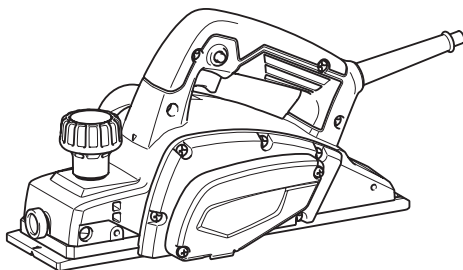
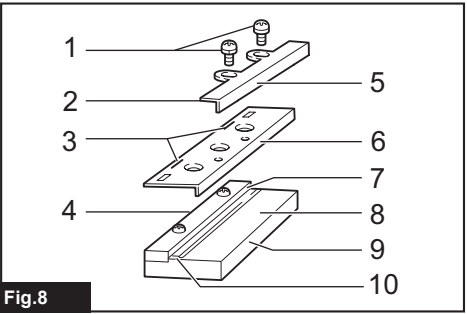
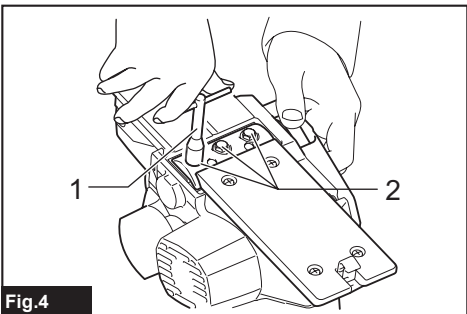
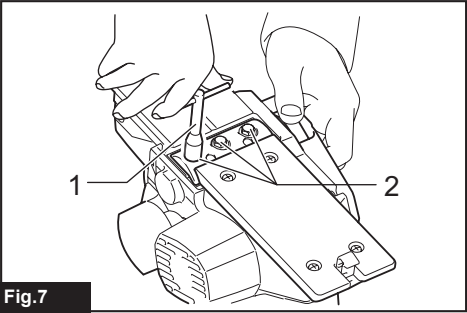
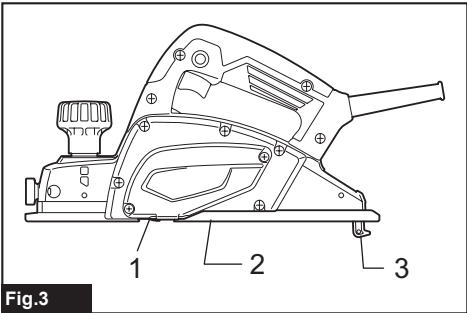
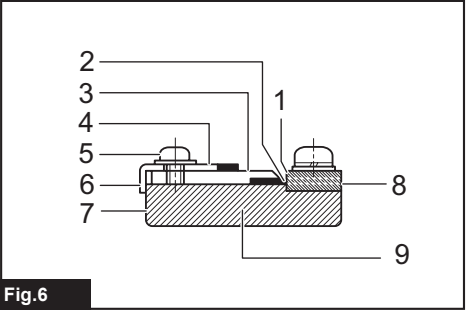
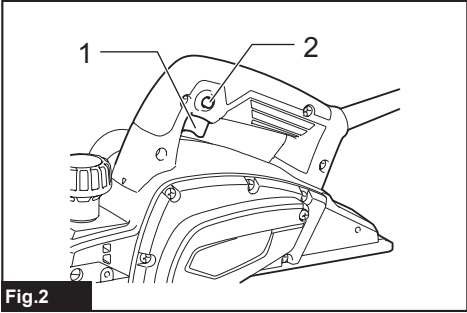
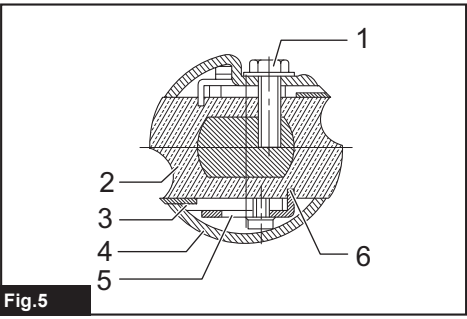
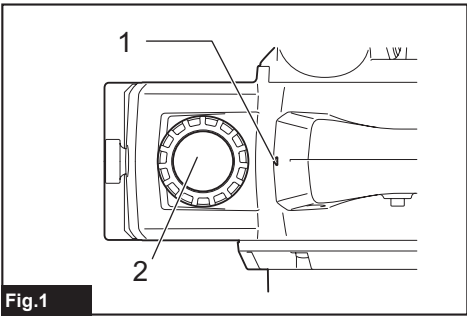


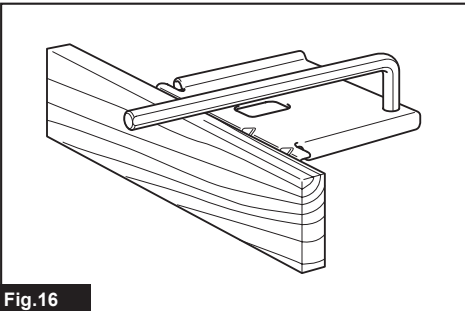
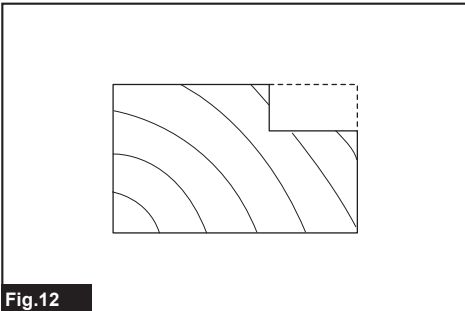
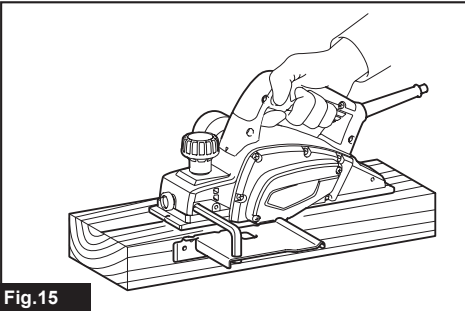
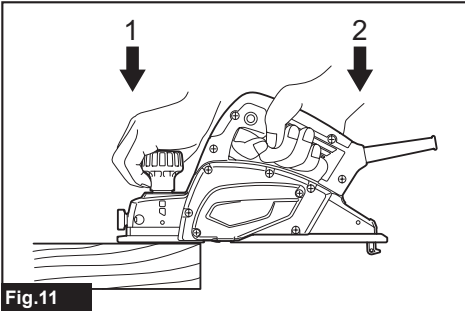
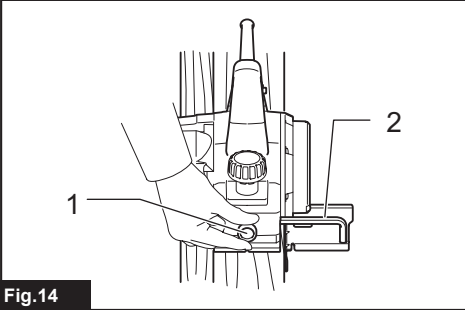
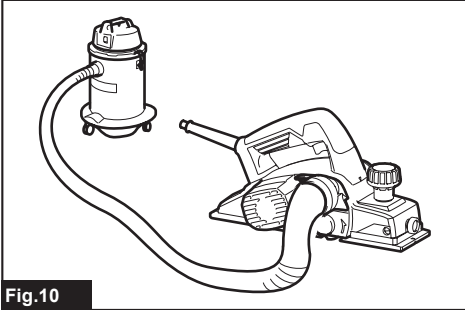
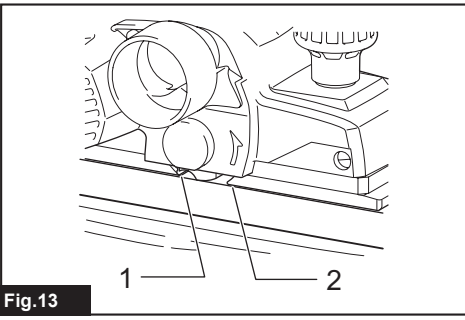
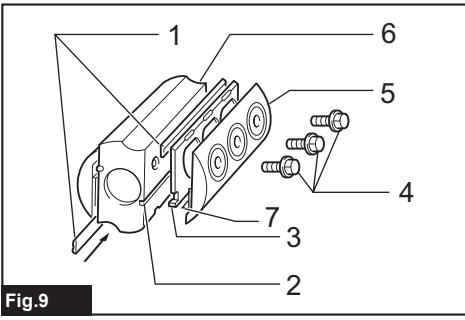


<b>EN</b>	Planer	INSTRUCTION MANUAL	5
<b>FR</b>	Rabot	MANUEL D'INSTRUCTIONS	10
<b>DE</b>	Balkenhobel	BETRIEBSANLEITUNG	15
<b>IT</b>	Pialla	ISTRUZIONI PER L'USO	21
<b>NL</b>	Elektrische schaaf	GEBRUIKSAANWIJZING	27
<b>ES</b>	Cepillo	MANUAL DE INSTRUCCIONES	33
<b>PT</b>	Plaina	MANUAL DE INSTRUÇÕES	39
<b>DA</b>	Høvlemaskine	BRUGSANVISNING	44
<b>EL</b>	Πλάνη	ΕΓΧΕΙΡΙΔΙΟ ΟΔΗΓΙΩΝ	49
<b>TR</b>	Planya	KULLANMA KILAVUZU	55

## M1901







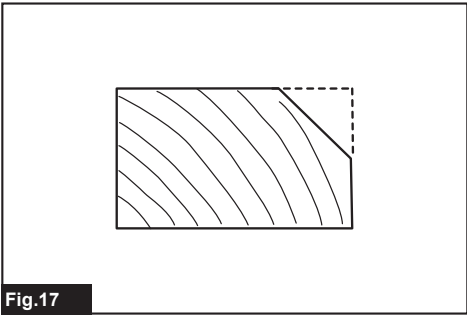


Fig.17

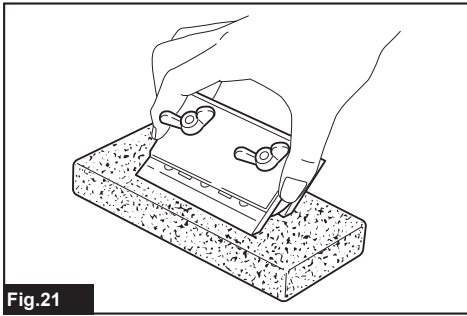


Fig.21

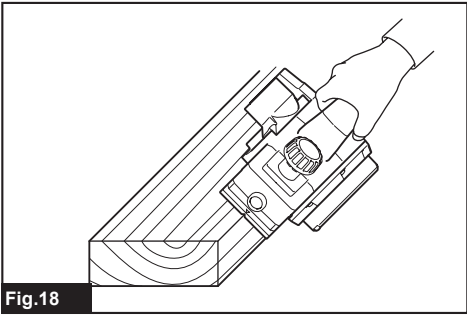


Fig.18

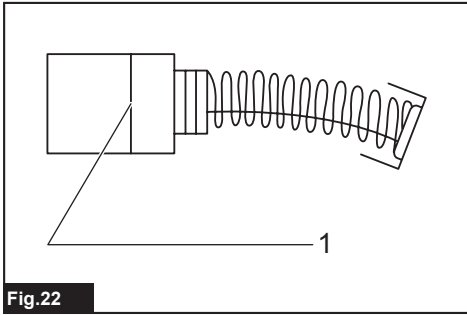


Fig.22

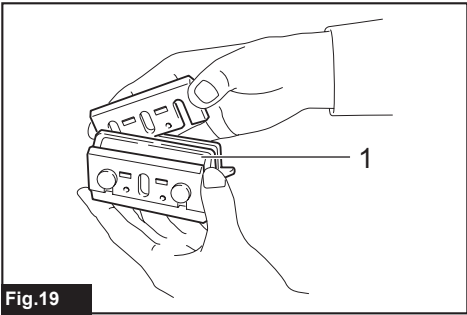


Fig.19

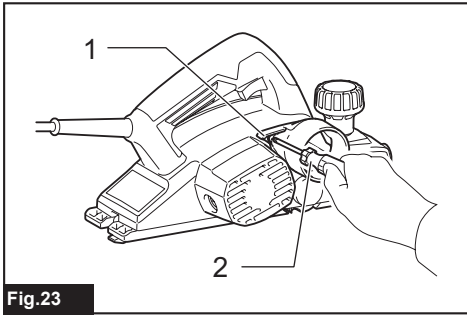


Fig.23

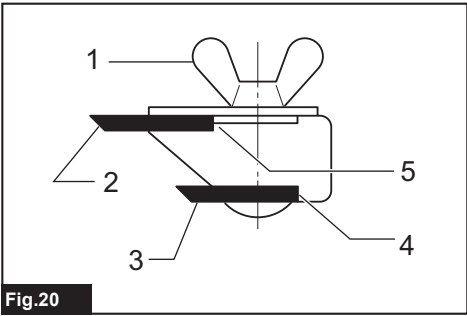


Fig.20

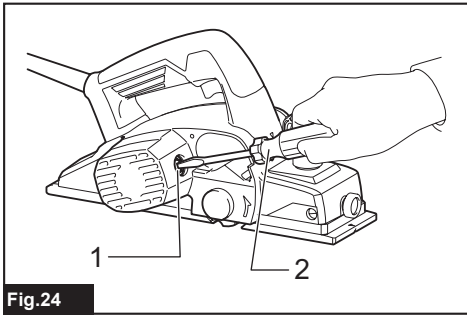


Fig.24

## SPECIFICATIONS

<b>Model:</b>	<b>M1901</b>
Planing width	82 mm
Planing depth	2 mm
Shiplapping depth	9 mm
No load speed	16,000 min <sup>-1</sup>
Overall length	285 mm
Net weight	2.8 - 2.9 kg
Safety class	▣/II

- Due to our continuing program of research and development, the specifications herein are subject to change without notice.
- Specifications may differ from country to country.
- The weight may differ depending on the attachment(s). The lightest and heaviest combination, according to EPTA-Procedure 01/2014, are shown in the table.

### Intended use

The tool is intended for planing wood.

### Power supply

The tool should be connected only to a power supply of the same voltage as indicated on the nameplate, and can only be operated on single-phase AC supply. They are double-insulated and can, therefore, also be used from sockets without earth wire.

### Noise

The typical A-weighted noise level determined according to EN62841-2-14:

Sound pressure level ( $L_{pA}$ ) : 88 dB(A)

Sound power level ( $L_{WA}$ ) : 96 dB (A)

Uncertainty (K) : 3 dB(A)

**NOTE:** The declared noise emission value(s) has been measured in accordance with a standard test method and may be used for comparing one tool with another.

**NOTE:** The declared noise emission value(s) may also be used in a preliminary assessment of exposure.

**⚠ WARNING:** Wear ear protection.

**⚠ WARNING:** The noise emission during actual use of the power tool can differ from the declared value(s) depending on the ways in which the tool is used especially what kind of workpiece is processed.

**⚠ WARNING:** Be sure to identify safety measures to protect the operator that are based on an estimation of exposure in the actual conditions of use (taking account of all parts of the operating cycle such as the times when the tool is switched off and when it is running idle in addition to the trigger time).

### Vibration

The vibration total value (tri-axial vector sum) determined according to EN62841-2-14:

Work mode: planing softwood

Vibration emission ( $a_h$ ) : 3.5 m/s<sup>2</sup>

Uncertainty (K) : 1.5 m/s<sup>2</sup>

**NOTE:** The declared vibration total value(s) has been measured in accordance with a standard test method and may be used for comparing one tool with another.

**NOTE:** The declared vibration total value(s) may also be used in a preliminary assessment of exposure.

**⚠ WARNING:** The vibration emission during actual use of the power tool can differ from the declared value(s) depending on the ways in which the tool is used especially what kind of workpiece is processed.

**⚠ WARNING:** Be sure to identify safety measures to protect the operator that are based on an estimation of exposure in the actual conditions of use (taking account of all parts of the operating cycle such as the times when the tool is switched off and when it is running idle in addition to the trigger time).

### Declarations of Conformity

*For European countries only*

The Declarations of conformity are included in Annex A to this instruction manual.

# SAFETY WARNINGS

## General power tool safety warnings

**▲WARNING:** Read all safety warnings, instructions, illustrations and specifications provided with this power tool. Failure to follow all instructions listed below may result in electric shock, fire and/or serious injury.

## Save all warnings and instructions for future reference.

The term "power tool" in the warnings refers to your mains-operated (corded) power tool or battery-operated (cordless) power tool.

## Planer Safety Warnings

1. **Wait for the cutter to stop before setting the tool down.** An exposed rotating cutter may engage the surface leading to possible loss of control and serious injury.
2. **Hold the power tool by insulated gripping surfaces, because the cutter may contact its own cord.** Cutting a "live" wire may make exposed metal parts of the power tool "live" and could give the operator an electric shock.
3. **Use clamps or another practical way to secure and support the workpiece to a stable platform.** Holding the workpiece by your hand or against the body leaves it unstable and may lead to loss of control.
4. **Rags, cloth, cord, string and the like should never be left around the work area.**
5. **Avoid cutting nails. Inspect for and remove all nails from the workpiece before operation.**
6. **Use only sharp blades. Handle the blades very carefully.**
7. **Be sure the blade installation bolts are securely tightened before operation.**
8. **Hold the tool firmly with both hands.**
9. **Keep hands away from rotating parts.**
10. **Before using the tool on an actual workpiece, let it run for a while. Watch for vibration or wobbling that could indicate poor installation or a poorly balanced blade.**
11. **Make sure the blade is not contacting the workpiece before the switch is turned on.**
12. **Wait until the blade attains full speed before cutting.**
13. **Always switch off and wait for the blades to come to a complete stop before any adjusting.**
14. **Never stick your finger into the chip chute. Chute may jam when cutting damp wood. Clean out chips with a stick.**
15. **Do not leave the tool running. Operate the tool only when hand-held.**
16. **Always change both blades or covers on the drum, otherwise the resulting imbalance will cause vibration and shorten tool life.**
17. **Use only Makita blades specified in this manual.**
18. **Always use the correct dust mask/respirator for the material and application you are working with.**

## SAVE THESE INSTRUCTIONS.

**▲WARNING:** DO NOT let comfort or familiarity with product (gained from repeated use) replace strict adherence to safety rules for the subject product.

**MISUSE** or failure to follow the safety rules stated in this instruction manual may cause serious personal injury.

## FUNCTIONAL DESCRIPTION

**▲CAUTION:** Always be sure that the tool is switched off and unplugged before adjusting or checking function on the tool.

## Adjusting depth of cut

► Fig.1: 1. Pointer 2. Knob

Depth of cut may be adjusted by simply turning the knob on the front of the tool so that the pointer points the desired depth of cut.

## Switch action

► Fig.2: 1. Switch trigger 2. Lock button or Lock-off button

**▲CAUTION:** Before plugging in the tool, always check to see that the switch trigger actuates properly and returns to the "OFF" position when released.

## For tool with lock button

**▲CAUTION:** Switch can be locked in "ON" position for ease of operator comfort during extended use. Apply caution when locking tool in "ON" position and maintain firm grasp on tool.

To start the tool, simply pull the switch trigger. Release the switch trigger to stop.

For continuous operation, pull the switch trigger and then push in the lock button.

To stop the tool from the locked position, pull the switch trigger fully, then release it.

## For tool with lock-off button

To prevent the switch trigger from being accidentally pulled, a lock-off button is provided.

To start the tool, depress the lock-off button and pull the switch trigger. Release the switch trigger to stop.

**▲CAUTION:** Do not pull the switch trigger hard without depressing the lock-off button. This can cause switch breakage.

## Foot

► Fig.3: 1. Planer blade 2. Rear base 3. Foot

After a cutting operation, raise the back side of the tool so that the foot comes out of the rear base. This prevents the planer blades to be damaged.

# ASSEMBLY

**⚠ CAUTION:** Always be sure that the tool is switched off and unplugged before carrying out any work on the tool.

## Removing or installing planer blades

**⚠ CAUTION:** Tighten the blade installation bolts carefully when attaching the planer blades to the tool. A loose installation bolt can be dangerous. Always check to see they are tightened securely.

**⚠ CAUTION:** Handle the planer blades very carefully. Use gloves or rags to protect your fingers or hands when removing or installing the blades.

**⚠ CAUTION:** Use only the Makita wrench provided to remove or install the planer blades. Failure to do so may result in overtightening or insufficient tightening of the installation bolts. This could cause an injury.

## For tool with conventional planer blades

To remove the planer blades on the drum, unscrew the installation bolts with the socket wrench. The drum cover comes off together with the blades.

► **Fig.4:** 1. Socket wrench 2. Bolts

► **Fig.5:** 1. Bolts 2. Drum 3. Planer blade 4. Drum cover 5. Adjusting plate 6. Groove

To install the planer blades, do the following procedure.

1. Clean out all chips or foreign matter adhering to the drum and planer blades.
2. Choose planer blades of the same dimensions and weight. Otherwise drum oscillation/vibration will result, causing poor planing action and, eventually, tool breakdown.
3. Use the blade gauge to set the planer blades correctly. Put the planer blade on the gauge base. Apply the cutting edge of the blade on the inside flank of the gauge plate.  
► **Fig.6:** 1. Inside flank of gauge plate 2. Blade edge 3. Planer blade 4. Adjusting plate 5. Screws 6. Heel 7. Back side of gauge base 8. Gauge plate 9. Gauge base
4. Place the adjusting plate on the planer blade. Press the adjusting plate so that its heel is flush with the back side of gauge base. Tighten two screws on the adjusting plate.
5. Slip the heel of the adjusting plate into the drum groove, then fit the drum cover on it.
6. Tighten all the installation bolts evenly and alternately with the socket wrench.
7. Repeat the procedure above for the other blade.

## For tool with mini planer blades

To replace the mini planer blades, do the following procedure.

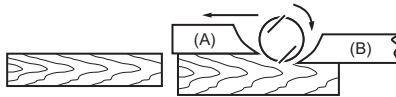
1. Carefully clean the drum surfaces and the drum cover.
2. Unscrew the three installation bolts with the socket wrench. Remove the drum cover, adjusting plate, set plate and the mini planer blade.  
► **Fig.7:** 1. Socket wrench 2. Bolts
3. Use the blade gauge to set the planer blades correctly. Put the mini planer blade on the gauge base. Apply the cutting edge of the blade on the inside flank of the gauge plate.  
► **Fig.8:** 1. Screws 2. Adjusting plate 3. Planer blade locating lugs 4. Gauge plate 5. Heel of adjusting plate 6. Set plate 7. Inside flank of gauge plate 8. Gauge base 9. Back side of gauge base 10. Mini planer blade
4. Loosely attach the adjusting plate to the set plate with the screws. Put the adjusting plate and set plate on the gauge base. Fit the planer blade locating lugs on the set plate into the mini planer blade groove.
5. Apply the heel of the adjusting plate onto the back side of the gauge base and tighten the screws. Check the alignments carefully to ensure uniform cutting.
6. Slip the heel of the adjusting plate into the groove of the drum.
7. Put the drum cover on the set plate and loosely fit them onto the drum with the three bolts. Slip the mini planer blade into the space between the drum and set plate. Make sure that the planer blade locating lugs on the set plate fit in the mini planer blade groove.  
► **Fig.9:** 1. Mini planer blade 2. Groove 3. Set plate 4. Bolts 5. Drum cover 6. Drum 7. Adjusting plate
8. Adjust the mini planer blade position lengthway so that the blade ends are clear and equidistant from the housing on one side and the metal bracket on the other.
9. Tighten the three bolts with the socket wrench provided and rotate the drum to check the clearances between the blade ends and the tool body.
10. Check the three bolts for final tightness.
11. Repeat the procedure above for the other blade.

## For the correct planer blade setting

Your planing surface will end up rough and uneven, unless the planer blade is set properly and securely. The planer blade must be mounted so that the cutting edge is absolutely level, that is, parallel to the surface of the rear base. Refer to some examples below for proper and improper settings.

- (A) Front base (Movable shoe)
- (B) Rear base (Stationary shoe)

Correct setting



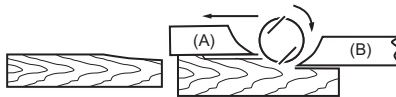
Although this side view cannot show it, the edges of the blades run perfectly parallel to the rear base surface.

Nicks in surface



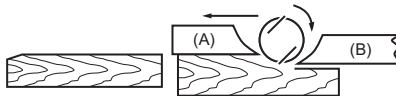
Cause: One or both blades fails to have edge parallel to rear base line.

Gouging at start



Cause: One or both blade edges fails to protrude enough in relation to rear base line.

Gouging at end



Cause: One or both blade edges protrudes too far in relation to rear base line.

## Connecting a vacuum cleaner

**NOTE:** In some countries, the nozzle may not be included in the tool package as standard accessory.

► Fig.10

### For tool with nozzle

Connect a hose of the vacuum cleaner to the nozzle.

### For tool without nozzle

1. Remove the chip cover from the tool.
2. Install the nozzle on the tool using the screws.
3. Connect a hose of the vacuum cleaner to the nozzle.

## Nozzle cleaning

Clean the nozzle regularly.  
Use a compressed air to clean the clogged nozzle.

## OPERATION

**⚠ WARNING:** To reduce the risk of injury to persons, do not operate without nozzle or chip cover in place.

Hold the tool firmly with one hand on the knob and the other hand on the switch handle when performing the tool.

## Planing operation

► Fig.11: 1. Start 2. End

Apply the tool front base flat upon the workpiece surface without the planer blades contacting the workpiece. Switch on and wait until the blades attain full speed. Then move the tool gently forward at a uniform speed. Apply pressure on the front of tool at the start of planing, and on the rear at the end of planing.

The speed and depth of cut determine the finish. To obtain a good surface finish, plane deeply until you get near the desired depth, and then plane thinly and slowly for the final pass.

## Shiplapping (Rabbeting)

► Fig.12

To make a stepped cut as shown in the figure, use the edge fence (guide rule).

Draw a cutting line on the workpiece. Insert the edge fence into the hole in the front of the tool. Align the blade edge with the cutting line.

► Fig.13: 1. Blade edge 2. Cutting line

Adjust the edge fence until it comes in contact with the side of the workpiece, then secure it by tightening the screw.

► Fig.14: 1. Screw 2. Edge fence

When planing, move the tool with the edge fence flush with the side of the workpiece. Otherwise uneven planing may result.



► **Fig.15**

Maximum shiplapping (rabbeting) depth is 9 mm (11/32").

You may wish to add to the length of the fence by attaching an extra piece of wood. Convenient holes are provided in the fence for this purpose, and also for attaching an extension guide (optional accessory).

► **Fig.16**

**NOTE:** The shape of the guide rule is differ from country to country. In some country, the guide rule is not included as a standard accessory.

## Chamfering

► **Fig.17**

► **Fig.18**

To make a chamfering cut as shown in the figure, align the "V" groove in the front base with the edge of the workpiece and plane it.

## MAINTENANCE

**⚠ CAUTION:** Always be sure that the tool is switched off and unplugged before attempting to perform inspection or maintenance.

**⚠ CAUTION:** Never use gasoline, benzine, thinner, alcohol or the like. Discoloration, deformation or cracks may result.

## Sharpening the planer blades

*For conventional planer blades only*

Always keep your planer blades sharp for the best performance possible. Use the sharpening holder (optional accessory) to remove nicks and produce a fine edge.

► **Fig.19:** 1. Sharpening holder

First, loosen the two wing nuts on the holder and insert the planer blades (A) and (B), so that they contact the sides (C) and (D). Then tighten the wing nuts.

► **Fig.20:** 1. Wing nut 2. Planer blade (A) 3. Planer blade (B) 4. Side (D) 5. Side (C)

Immerse the dressing stone in water for 2 or 3 minutes before sharpening. Hold the holder so that the both blades contact the dressing stone for simultaneous sharpening at the same angle.

► **Fig.21**

## Replacing carbon brushes

► **Fig.22:** 1. Limit mark

Remove and check the carbon brushes regularly. Replace when they wear down to the limit mark. Keep the carbon brushes clean and free to slip in the holders. Both carbon brushes should be replaced at the same time. Use only identical carbon brushes.

Use a screwdriver to remove the chip cover or nozzle.

► **Fig.23:** 1. Chip cover or Nozzle 2. Screwdriver

Use a screwdriver to remove the brush holder caps. Take out the worn carbon brushes, insert the new ones and secure the brush holder caps.

► **Fig.24:** 1. Brush holder cap 2. Screwdriver

To maintain product SAFETY and RELIABILITY, repairs, any other maintenance or adjustment should be performed by Makita Authorized or Factory Service Centers, always using Makita replacement parts.

## SPÉCIFICATIONS

Modèle :	M1901
Largeur de rabotage	82 mm
Profondeur de rabotage	2 mm
Profondeur de polissage d'angle	9 mm
Vitesse à vide	16 000 min <sup>-1</sup>
Longueur totale	285 mm
Poids net	2,8 - 2,9 kg
Catégorie de sécurité	▣/II

- Étant donné l'évolution constante de notre programme de recherche et de développement, les spécifications contenues dans ce manuel sont sujettes à modification sans préavis.
- Les spécifications peuvent varier suivant les pays.
- Le poids peut être différent selon les accessoires. Les associations la plus légère et la plus lourde, conformément à la procédure EPTA 01/2014, sont indiquées dans le tableau.

### Utilisations

L'outil est conçu pour le rabotage du bois.

### Alimentation

L'outil ne devra être raccordé qu'à une alimentation de la même tension que celle qui figure sur la plaque signalétique, et il ne pourra fonctionner que sur un courant secteur monophasé. Réalisé avec une double isolation, il peut de ce fait être alimenté par une prise sans mise à la terre.

### Bruit

Niveau de bruit pondéré A typique, déterminé selon EN62841-2-14 :

Niveau de pression sonore ( $L_{pA}$ ) : 88 dB (A)

Niveau de puissance sonore ( $L_{WA}$ ) : 96 dB (A)

Incertitude (K) : 3 dB (A)

**NOTE** : La ou les valeurs d'émission de bruit déclarées ont été mesurées conformément à la méthode de test standard et peuvent être utilisées pour comparer les outils entre eux.

**NOTE** : La ou les valeurs d'émission de bruit déclarées peuvent aussi être utilisées pour l'évaluation préliminaire de l'exposition.

**⚠ AVERTISSEMENT** : Portez un serre-tête antibruit.

**⚠ AVERTISSEMENT** : L'émission de bruit lors de l'usage réel de l'outil électrique peut être différente de la ou des valeurs déclarées, suivant la façon dont l'outil est utilisé, particulièrement selon le type de pièce usinée.

**⚠ AVERTISSEMENT** : Les mesures de sécurité à prendre pour protéger l'utilisateur doivent être basées sur une estimation de l'exposition dans des conditions réelles d'utilisation (en tenant compte de toutes les composantes du cycle d'utilisation, comme par exemple le moment de sa mise hors tension, lorsqu'il tourne à vide et le moment de son déclenchement).

### Vibrations

Valeur totale de vibrations (somme de vecteur triaxial) déterminée selon EN62841-2-14 :

Mode de travail : meulage de surface

Émission de vibrations ( $a_h$ ) : 3,5 m/s<sup>2</sup>

Incertitude (K) : 1,5 m/s<sup>2</sup>

**NOTE** : La ou les valeurs de vibration totales déclarées ont été mesurées conformément à la méthode de test standard et peuvent être utilisées pour comparer les outils entre eux.

**NOTE** : La ou les valeurs de vibration totales déclarées peuvent aussi être utilisées pour l'évaluation préliminaire de l'exposition.

**⚠ AVERTISSEMENT** : L'émission de vibrations lors de l'usage réel de l'outil électrique peut être différente de la ou des valeurs déclarées, suivant la façon dont l'outil est utilisé, particulièrement selon le type de pièce usinée.

**⚠ AVERTISSEMENT** : Les mesures de sécurité à prendre pour protéger l'utilisateur doivent être basées sur une estimation de l'exposition dans des conditions réelles d'utilisation (en tenant compte de toutes les composantes du cycle d'utilisation, comme par exemple le moment de sa mise hors tension, lorsqu'il tourne à vide et le moment de son déclenchement).

### Déclarations de conformité

*Pour les pays européens uniquement*

Les déclarations de conformité sont fournies en Annexe A à ce mode d'emploi.

# CONSIGNES DE SÉCURITÉ

## Consignes de sécurité générales pour outils électriques

**⚠️ AVERTISSEMENT :** Veuillez lire les consignes de sécurité, instructions, illustrations et spécifications qui accompagnent cet outil électrique. Le non-respect de toutes les instructions indiquées ci-dessous peut entraîner une électrocution, un incendie et/ou de graves blessures.

## Conservez toutes les mises en garde et instructions pour référence ultérieure.

Le terme « outil électrique » dans les avertissements fait référence à l'outil électrique alimenté par le secteur (avec cordon d'alimentation) ou à l'outil électrique fonctionnant sur batterie (sans cordon d'alimentation).

## Consignes de sécurité pour rabot

1. **Attendez que l'outil de coupe s'arrête avant de poser l'outil.** Un outil de coupe en rotation exposé peut pénétrer dans la surface, ce qui peut provoquer une perte de maîtrise et de graves blessures.
2. **Tenez l'outil électrique par une surface de prise isolée, étant donné que l'outil de coupe peut entrer en contact avec son cordon.** Couper un câble sous tension risque de mettre à découvert les pièces métalliques de l'outil électrique sous tension et d'électrocuter l'utilisateur.
3. **Utilisez des dispositifs de serrage ou un autre moyen pratique pour fixer et soutenir la pièce sur une plateforme stable.** La pièce sera instable et vous risquerez d'en perdre la maîtrise si vous la tenez avec une main ou l'appuyez contre votre corps.
4. **Ne laissez jamais de chiffons, linges, cordons, cordes et objets similaires sur la zone de travail.**
5. **Évitez les clous.** Avant de travailler la pièce, inspectez-la et retirez tous les clous.
6. **N'utilisez que des lames affûtées.** Manipulez les lames avec beaucoup de précaution.
7. **Assurez-vous que les boulons de fixation des lames sont bien serrés avant utilisation.**
8. **Tenez l'outil fermement à deux mains.**
9. **Gardez les mains à l'écart des pièces en rotation.**
10. **Avant d'utiliser l'outil sur la pièce, laissez-le tourner à vide un instant.** Soyez attentif aux vibrations ou sautilllements pouvant indiquer que la lame n'est pas bien installée ou est mal équilibrée.
11. **Assurez-vous que la lame n'entre pas en contact avec la pièce avant de mettre l'outil sous tension.**
12. **Attendez que la lame atteigne sa pleine vitesse avant de procéder à la coupe.**
13. **Avant tout réglage, mettez toujours l'outil hors tension et attendez l'arrêt complet des lames.**
14. **Ne mettez jamais le doigt dans la goulotte à copeaux.** Il se peut qu'elle se bouche lorsque vous coupez du bois humide. Retirez les copeaux avec un bout de bâton.
15. **N'abandonnez pas l'outil alors qu'il tourne. Ne faites fonctionner l'outil qu'une fois que vous l'avez bien en main.**

16. **Changez toujours les deux lames ou couvercles sur le tambour, en même temps, sinon cela entraînera un déséquilibre qui provoquera des vibrations et réduira la durée de service de l'outil.**
17. **N'utilisez que les lames Makita spécifiées dans ce manuel.**
18. **Utilisez toujours un masque anti-poussière ou un masque filtrant approprié au matériau et à l'application.**

## CONSERVEZ CES INSTRUCTIONS.

**⚠️ AVERTISSEMENT :** NE vous laissez PAS tromper (au fil d'une utilisation répétée) par un sentiment d'aisance et de familiarité avec le produit, en négligeant le respect rigoureux des consignes de sécurité qui accompagnent le produit en question. La MAUVAISE UTILISATION de l'outil ou l'ignorance des consignes de sécurité indiquées dans ce mode d'emploi peut entraîner de graves blessures.

## DESCRIPTION DU FONCTIONNEMENT

**⚠️ ATTENTION :** Assurez-vous toujours que l'outil est hors tension et débranché avant de l'ajuster ou de vérifier son fonctionnement.

## Réglage de la profondeur de coupe

► Fig.1: 1. Index 2. Bouton

Pour régler la profondeur de coupe, il suffit de tourner le bouton situé à l'avant de l'outil de sorte que l'index pointe sur la profondeur de coupe souhaitée.

## Interrupteur

► Fig.2: 1. Gâchette 2. Bouton de verrouillage ou bouton de déverrouillage

**⚠️ ATTENTION :** Avant de brancher l'outil, assurez-vous toujours que la gâchette fonctionne correctement et revient en position d'arrêt une fois relâchée.

## Pour les outils pourvus d'un bouton de verrouillage

**⚠️ ATTENTION :** La gâchette peut être verrouillée sur la position « Marche » pour améliorer le confort de l'utilisateur pendant une utilisation prolongée. Soyez prudent lorsque vous verrouillez l'outil sur la position « Marche » et tenez-le fermement.

Il suffit d'enclencher la gâchette pour démarrer l'outil. Pour l'arrêter, relâchez la gâchette. Pour un fonctionnement continu, enclenchez la gâchette, puis poussez le bouton de verrouillage. Pour arrêter l'outil sur la position verrouillée, enclenchez à fond la gâchette puis relâchez-la.

## Pour les outils pourvus d'un bouton de déverrouillage

Un bouton de déverrouillage a été prévu pour éviter l'activation accidentelle de la gâchette.

Pour démarrer l'outil, enfoncez le bouton de déverrouillage et enclenchez la gâchette. Pour l'arrêter, relâchez la gâchette.

**⚠ ATTENTION :** Évitez d'enclencher la gâchette avec force lorsque le bouton de déverrouillage n'est pas enfoncé. Vous risqueriez de briser la gâchette.

### Pied

► **Fig.3:** 1. Lame de rabot 2. Semelle arrière 3. Pied

Après un travail de coupe, soulevez le dos de l'outil de sorte que le pied sorte de la semelle arrière. Ceci évite d'abîmer les lames de rabot.

## ASSEMBLAGE

**⚠ ATTENTION :** Avant d'effectuer toute intervention sur l'outil, assurez-vous toujours qu'il est hors tension et débranché.

### Dépose ou pose des lames de rabot

**⚠ ATTENTION :** Serrez avec soin les boulons de fixation des lames lorsque vous fixez les lames de rabot à l'outil. Un boulon de fixation mal serré représente un danger. Vérifiez toujours qu'ils sont bien serrés.

**⚠ ATTENTION :** Manipulez les lames de rabot avec beaucoup de précaution. Portez des gants ou utilisez un chiffon pour protéger vos doigts ou vos mains lors de la dépose ou de la pose des lames.

**⚠ ATTENTION :** N'utilisez que la clé Makita fournie pour déposer ou poser les lames de rabot. Autrement, les boulons de fixation risquent d'être trop ou pas assez serrés. Ce qui comporte un risque de blessure.

## Pour les outils avec lames de rabot standard

Pour retirer les lames de rabot du tambour, dévissez les boulons de fixation avec la clé à douille. Le couvercle du tambour se détache avec les lames.

► **Fig.4:** 1. Clé à douille 2. Boulons

► **Fig.5:** 1. Boulons 2. Tambour 3. Lame de rabot 4. Couvercle du tambour 5. Plaque de réglage 6. Rainure

Procédez comme indiqué ci-dessous pour poser les lames de rabot.

1. Retirez tous les copeaux ou corps étrangers collés au tambour et aux lames de rabot.

2. Utilisez des lames de rabot de dimensions et de poids identiques. Autrement, cela provoquera des oscillations/vibrations du tambour qui entraîneront un rabotage médiocre, voire une panne de l'outil.

3. Utilisez la jauge de lame pour régler correctement les lames de rabot. Placez la lame de rabot sur le socle de la jauge. Appliquez l'arête tranchante de la lame sur le flanc intérieur de la plaque de mesure.

► **Fig.6:** 1. Flanc intérieur de la plaque de mesure 2. Tranchant de la lame 3. Lame de rabot 4. Plaque de réglage 5. Vis 6. Talon 7. Côté arrière du socle de la jauge 8. Plaque de mesure 9. Socle de la jauge

4. Placez la plaque de réglage sur la lame de rabot. Appuyez sur la plaque de réglage de sorte que son talon soit parfaitement contre le côté arrière du socle de la jauge. Serrez deux vis sur la plaque de réglage.

5. Glissez le talon de la plaque de réglage dans la rainure du tambour, puis placez le couvercle du tambour dessus.

6. Serrez tous les boulons de fixation de manière régulière et alternée avec la clé à douille.

7. Répétez la procédure ci-dessus pour l'autre lame.

## Pour les outils avec mini-lames de rabot

Procédez comme indiqué ci-dessous pour remplacer les mini-lames de rabot.

1. Nettoyez soigneusement les surfaces du tambour et le couvercle du tambour.

2. Desserrez les trois boulons de fixation avec la clé à douille. Déposez le couvercle du tambour, la plaque de réglage, la plaque de fixation et la mini-lame de rabot.

► **Fig.7:** 1. Clé à douille 2. Boulons

3. Utilisez la jauge de lame pour régler correctement les lames de rabot. Placez la mini-lame de rabot sur le socle de la jauge. Appliquez l'arête tranchante de la lame sur le flanc intérieur de la plaque de mesure.

► **Fig.8:** 1. Vis 2. Plaque de réglage 3. Ergots de positionnement de lame de rabot 4. Plaque de mesure 5. Talon de la plaque de réglage 6. Plaque de fixation 7. Flanc intérieur de la plaque de mesure 8. Socle de la jauge 9. Côté arrière du socle de la jauge 10. Mini-lame de rabot

4. Fixez sans serrer la plaque de réglage à la plaque de fixation avec les vis. Placez la plaque de réglage et la plaque de fixation sur le socle de la jauge. Insérez les ergots de positionnement de lame de rabot sur la plaque de fixation dans la rainure de la mini-lame de rabot.

5. Appliquez le talon de la plaque de réglage sur le côté arrière du socle de la jauge et serrez les vis. Vérifiez soigneusement les alignements pour garantir une coupe uniforme.

6. Glissez le talon de la plaque de réglage dans la rainure du tambour.

7. Posez le couvercle du tambour sur la plaque de fixation et fixez-les sans serrer sur le tambour avec les trois boulons. Glissez la mini-lame de rabot dans l'espace entre le tambour et la plaque de fixation. Assurez-vous que les ergots de positionnement de lame de rabot sur la plaque de fixation s'insèrent dans la rainure de la mini-lame de rabot.

► **Fig.9:** 1. Mini-lame de rabot 2. Rainure 3. Plaque de fixation 4. Boulons 5. Couvercle du tambour 6. Tambour 7. Plaque de réglage

8. Réglez la position de la mini-lame de rabot sur toute la longueur de sorte que les extrémités de la lame soient dégagées et à égale distance du carter d'un côté et du support en métal de l'autre.

9. Serrez les trois boulons avec la clé à douille fournie et tournez le tambour pour vérifier les écarts entre les extrémités de la lame et le corps de l'outil.

10. Vérifiez le serrage final des trois boulons.

11. Répétez la procédure ci-dessus pour l'autre lame.

## Pour une fixation correcte des lames de rabot

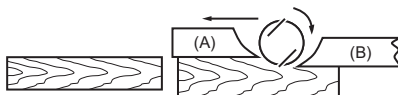
La surface rabotée présentera des aspérités et sera inégale si la lame de rabot n'est pas correctement et solidement fixée. La lame de rabot doit être montée de sorte que l'arête tranchante soit absolument de niveau, c'est-à-dire parallèle à la surface de la semelle arrière.

Reportez-vous ci-dessous pour des exemples de fixation correcte et incorrecte.

(A) Semelle avant (sabot mobile)

(B) Semelle arrière (sabot fixe)

Fixation correcte



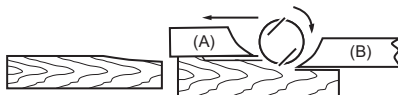
Bien que cette vue latérale ne le montre pas, les bords des lames sont parfaitement parallèles à la surface de la semelle arrière.

Crans à la surface



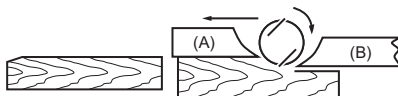
Cause : Une des lames ou les deux n'ont pas leur bord parallèle à la ligne de la semelle arrière.

Évidage au début



Cause : Un des tranchants de lame ou les deux ne font pas assez saillie par rapport à la ligne de la semelle arrière.

Évidage à la fin



Cause : Un des tranchants de lame ou les deux font saillie trop loin par rapport à la ligne de la semelle arrière.

## Raccordement d'un aspirateur

**NOTE** : Dans certains pays, il se peut que la buse ne soit pas comprise dans l'emballage de l'outil en tant qu'accessoire standard.

► Fig.10

## Pour les outils pourvus d'une buse

Raccordez le tuyau de l'aspirateur à la buse.

## Pour les outils sans buse

1. Retirez le couvercle à copeaux de l'outil.
2. Installez la buse sur l'outil à l'aide des vis.
3. Raccordez le tuyau de l'aspirateur à la buse.

## Nettoyage de la buse

Nettoyez régulièrement la buse. Utilisez de l'air comprimé pour nettoyer la buse si elle est bouchée.

## UTILISATION

**AVERTISSEMENT** : Afin de diminuer le risque de blessures corporelles, n'utilisez pas l'outil sans le couvercle à copeaux ou la buse en place.

Tenez fermement l'outil avec une main sur le bouton et l'autre main sur la poignée de la gâchette lors de l'utilisation de l'outil.

## Rabotage

► Fig.11: 1. Début 2. Fin

Posez à plat la semelle avant de l'outil sur la surface de la pièce sans que les lames de rabot touchent la pièce. Mettez l'outil sous tension et attendez que les lames aient atteint leur pleine vitesse. Déplacez ensuite doucement l'outil vers l'avant à une vitesse régulière. Exercez une pression sur l'avant de l'outil au début du rabotage, et sur l'arrière à la fin du rabotage.

La vitesse et la profondeur de coupe déterminent la qualité du fini. Pour obtenir un fini de qualité, rabotez profondément jusqu'à ce que vous atteigniez la profondeur souhaitée, puis rabotez finement et lentement pour le dernier passage.

## Polissage d'angle (feuillure)

### ► Fig.12

Pour effectuer une feuillure comme illustré sur la figure, utilisez le garde latéral (règle de guidage).

Dessinez un trait de coupe sur la pièce. Insérez le garde latéral dans l'orifice sur l'avant de l'outil. Alignez le tranchant de la lame sur le trait de coupe.

► Fig.13: 1. Tranchant de la lame 2. Trait de coupe

Régalez le garde latéral jusqu'à ce qu'il entre en contact avec le côté de la pièce, puis fixez-le en serrant la vis.

► Fig.14: 1. Vis 2. Garde latéral

Pendant le rabotage, déplacez l'outil avec le garde latéral au ras du côté de la pièce. Vous risqueriez autrement d'obtenir un rabotage inégal.

### ► Fig.15

La profondeur maximale du polissage d'angle (feuillure) est de 9 mm.

Il se peut que vous deviez rallonger le garde latéral en fixant une pièce de bois supplémentaire. Des orifices pratiques sont prévus à cet effet sur le garde latéral, ainsi que pour fixer un guide de rallonge (accessoire en option).

### ► Fig.16

**NOTE** : La forme de la règle de guidage varie d'un pays à l'autre. Dans certains pays, la règle de guidage n'est pas fournie comme accessoire standard.

## Chanfreinage

### ► Fig.17

### ► Fig.18

Pour effectuer une coupe en chanfrein comme illustré sur la figure, alignez la rainure « V » de la semelle avant sur le bord de la pièce puis procédez au rabotage.

## ENTRETIEN

**⚠ ATTENTION** : Assurez-vous toujours que l'outil est hors tension et débranché avant d'y effectuer tout travail d'inspection ou d'entretien.

**⚠ ATTENTION** : N'utilisez jamais d'essence, benzine, diluant, alcool ou autre produit similaire. Cela risquerait de provoquer la décoloration, la déformation ou la fissuration de l'outil.

## Affûtage des lames de rabot

### *Pour les lames de rabot standard uniquement*

Gardez toujours vos lames de rabot bien affûtées pour une performance optimale. Utilisez le support d'affûtage (accessoire en option) pour supprimer les crans et avoir le tranchant le plus fin.

► Fig.19: 1. Support d'affûtage

Commencez par desserrer les deux écrous à oreilles sur le support et insérez les lames de rabot (A) et (B), de sorte qu'elles entrent en contact avec les côtés (C) et (D). Serrez ensuite les écrous à oreilles.

► Fig.20: 1. Écrou à oreilles 2. Lame de rabot (A)  
3. Lame de rabot (B) 4. Côté (D) 5. Côté (C)

Plongez la pierre d'affûtage dans l'eau pendant 2 ou 3 minutes avant d'affûter. Tenez le support de sorte que les deux lames entrent en contact avec la pierre d'affûtage pour obtenir un affûtage simultané au même angle.

### ► Fig.21

## Remplacement d'un balai en carbone

► Fig.22: 1. Repère d'usure

Retirez et vérifiez régulièrement les balais en carbone. Remplacez-les lorsqu'ils sont usés jusqu'au trait du repère d'usure. Maintenez les balais en carbone propres et en état de glisser aisément dans les porte-charbons. Les deux balais en carbone doivent être remplacés en même temps. N'utilisez que des balais en carbone identiques.

Servez-vous d'un tournevis pour déposer le couvercle à copeaux ou la buse.

► Fig.23: 1. Couvercle à copeaux ou Buse  
2. Tournevis

Retirez les bouchons de porte-charbon à l'aide d'un tournevis.

Enlevez les balais en carbone usés, insérez les neufs et revissez solidement les bouchons de porte-charbon.

► Fig.24: 1. Bouchon de porte-charbon 2. Tournevis

Pour assurer la SÉCURITÉ et la FIABILITÉ du produit, toute réparation, tout travail d'entretien ou de réglage doivent être effectués par un centre d'entretien Makita agréé, avec des pièces de rechange Makita.

## TECHNISCHE DATEN

Modell:	M1901
Hobelbreite	82 mm
Hobeltiefe	2 mm
Überfältungstiefe	9 mm
Leerlaufdrehzahl	16.000 min <sup>-1</sup>
Gesamtlänge	285 mm
Nettogewicht	2,8 - 2,9 kg
Sicherheitsklasse	II/III

- Wir behalten uns vor, Änderungen der technischen Daten im Zuge der Entwicklung und des technischen Fortschritts ohne vorherige Ankündigung vorzunehmen.
- Die technischen Daten können von Land zu Land unterschiedlich sein.
- Das Gewicht kann abhängig von den Aufsätzen unterschiedlich sein. Die leichteste und die schwerste Kombination, gemäß dem EPTA-Verfahren 01/2014, sind in der Tabelle angegeben.

### Vorgesehene Verwendung

Das Werkzeug ist zum Hobeln von Holz vorgesehen.

### Stromversorgung

Das Werkzeug sollte nur an eine Stromquelle angeschlossen werden, deren Spannung mit der Angabe auf dem Typenschild übereinstimmt, und kann nur mit Einphasen-Wechselstrom betrieben werden. Diese sind doppelt schutzisoliert und können daher auch an Steckdosen ohne Erdleiter verwendet werden.

### Geräusch

Typischer A-bewerteter Geräuschpegel ermittelt gemäß EN62841-2-14:

Schalldruckpegel ( $L_{pA}$ ): 88 dB (A)

Schalleistungspegel ( $L_{WA}$ ): 96 dB (A)

Messunsicherheit (K): 3 dB (A)

**HINWEIS:** Der (Die) angegebene(n) Schallemissionswert(e) wurde(n) im Einklang mit der Standardprüfmethode gemessen und kann (können) für den Vergleich zwischen Werkzeugen herangezogen werden.

**HINWEIS:** Der (Die) angegebene(n) Schallemissionswert(e) kann (können) auch für eine Vorbewertung des Gefährungsgrads verwendet werden.

**⚠️ WARNUNG:** Einen Gehörschutz tragen.

**⚠️ WARNUNG:** Die Schallemission während der tatsächlichen Benutzung des Elektrowerkzeugs kann je nach der Benutzungsweise des Werkzeugs, und speziell je nach der Art des bearbeiteten Werkstücks, von dem (den) angegebenen Wert(en) abweichen.

**⚠️ WARNUNG:** Identifizieren Sie Sicherheitsmaßnahmen zum Schutz des Benutzers anhand einer Schätzung des Gefährungsgrads unter den tatsächlichen Benutzungsbedingungen (unter Berücksichtigung aller Phasen des Arbeitszyklus, wie z. B. Ausschalt- und Leerlaufzeiten des Werkzeugs zusätzlich zur Betriebszeit).

### Schwingungen

Schwingungsgesamtwert (Drei-Achsen-Vektorsumme) ermittelt gemäß EN62841-2-14:

Arbeitsmodus: Oberflächenschleifen

Schwingungsemission ( $a_h$ ): 3,5 m/s<sup>2</sup>

Messunsicherheit (K): 1,5 m/s<sup>2</sup>

**HINWEIS:** Der (Die) angegebene(n) Vibrationsgesamtwert(e) wurde(n) im Einklang mit der Standardprüfmethode gemessen und kann (können) für den Vergleich zwischen Werkzeugen herangezogen werden.

**HINWEIS:** Der (Die) angegebene(n) Vibrationsgesamtwert(e) kann (können) auch für eine Vorbewertung des Gefährungsgrads verwendet werden.

**⚠️ WARNUNG:** Die Vibrationsemission während der tatsächlichen Benutzung des Elektrowerkzeugs kann je nach der Benutzungsweise des Werkzeugs, und speziell je nach der Art des bearbeiteten Werkstücks, von dem (den) angegebenen Emissionswert(en) abweichen.

**⚠️ WARNUNG:** Identifizieren Sie Sicherheitsmaßnahmen zum Schutz des Benutzers anhand einer Schätzung des Gefährungsgrads unter den tatsächlichen Benutzungsbedingungen (unter Berücksichtigung aller Phasen des Arbeitszyklus, wie z. B. Ausschalt- und Leerlaufzeiten des Werkzeugs zusätzlich zur Betriebszeit).

### Konformitätserklärungen

*Nur für europäische Länder*

Die Konformitätserklärungen sind in Anhang A dieser Betriebsanleitung enthalten.

# SICHERHEITSWARNUNGEN

## Allgemeine Sicherheitswarnungen für Elektrowerkzeuge

**⚠️ WARNUNG:** Lesen Sie alle mit diesem Elektrowerkzeug gelieferten Sicherheitswarnungen, Anweisungen, Abbildungen und technischen Daten durch. Eine Missachtung der unten aufgeführten Anweisungen kann zu einem elektrischen Schlag, Brand und/oder schweren Verletzungen führen.

## Bewahren Sie alle Warnungen und Anweisungen für spätere Bezugnahme auf.

Der Ausdruck „Elektrowerkzeug“ in den Warnhinweisen bezieht sich auf Ihr mit Netzstrom (mit Kabel) oder Akku (ohne Kabel) betriebenes Elektrowerkzeug.

## Sicherheitswarnungen für Balkenhobel

1. **Warten Sie, bis das Messer zum Stillstand kommt, bevor Sie das Werkzeug ablegen.** Das freiliegende Rotationsmesser könnte sonst in die Oberfläche eingreifen, was zu einem möglichen Verlust der Kontrolle und ernsthaften Verletzungen führen kann.
2. **Halten Sie das Elektrowerkzeug an den isolierten Griffflächen, weil das Messer das eigene Kabel berühren kann.** Bei Kontakt mit einem Strom führenden Kabel können die freiliegenden Metallteile des Elektrowerkzeugs ebenfalls Strom führend werden, so dass der Benutzer einen elektrischen Schlag erleiden kann.
3. **Verwenden Sie Klemmen oder eine andere praktische Methode, um das Werkstück auf einer stabilen Unterlage zu sichern und abzustützen.** Wenn Sie das Werkstück nur mit der Hand oder gegen Ihren Körper halten, befindet es sich in einer instabilen Lage, die zum Verlust der Kontrolle führen kann.
4. **Lassen Sie niemals Lappen, Tücher, Kabel, Schnüre und dergleichen im Arbeitsbereich herumliegen.**
5. **Vermeiden Sie das Schneiden von Nägeln. Untersuchen Sie das Werkstück sorgfältig auf Nägel, und entfernen Sie diese vor der Bearbeitung.**
6. **Verwenden Sie nur scharfe Messer. Behandeln Sie die Messer mit größter Sorgfalt.**
7. **Vergewissern Sie sich vor der Arbeit, dass die Messerbefestigungsschrauben sicher festgezogen sind.**
8. **Halten Sie das Werkzeug mit beiden Händen fest.**
9. **Halten Sie Ihre Hände von rotierenden Teilen fern.**

10. **Lassen Sie das Werkzeug vor der eigentlichen Bearbeitung eines Werkstücks eine Weile laufen. Achten Sie auf Vibrationen oder Taumelbewegungen, die Anzeichen für schlechte Montage oder ein schlecht ausgewuchtetes Messer sein können.**
11. **Vergewissern Sie sich vor dem Einschalten des Werkzeugs, dass das Messer nicht das Werkstück berührt.**
12. **Warten Sie, bis das Messer die volle Drehzahl erreicht hat, bevor Sie mit dem Schneiden beginnen.**
13. **Schalten Sie das Werkzeug stets aus, und warten Sie, bis die Messer zum vollständigen Stillstand kommen, bevor Sie Einstellungen vornehmen.**
14. **Stecken Sie niemals Ihren Finger in den Spanauswurf. Der Spanauswurf kann blockiert werden, wenn feuchtes Holz gehobelt wird. Entfernen Sie Späne mit einem Stock.**
15. **Lassen Sie das Werkzeug nicht unbeaufsichtigt laufen. Benutzen Sie das Werkzeug nur im handgeführten Einsatz.**
16. **Wechseln Sie immer beide Messer oder Abdeckungen an der Trommel aus, weil sonst die resultierende Unwucht Vibrationen verursacht und die Lebensdauer des Werkzeugs verkürzen kann.**
17. **Verwenden Sie nur die in dieser Anleitung angegebenen Makita-Messer.**
18. **Verwenden Sie stets die korrekte Staubschutz-/Atemmaske für das jeweilige Material und die Anwendung.**

## DIESE ANWEISUNGEN AUFBEWAHREN.

**⚠️ WARNUNG:** Lassen Sie sich NICHT durch Bequemlichkeit oder Vertrautheit mit dem Produkt (durch wiederholten Gebrauch erworben) von der strikten Einhaltung der Sicherheitsregeln für das vorliegende Produkt abhalten.

**MISSBRAUCH oder Missachtung der Sicherheitsvorschriften in dieser Anleitung können schwere Verletzungen verursachen.**



# FUNKTIONSBESCHREIBUNG

**⚠ VORSICHT:** Vergewissern Sie sich vor jeder Einstellung oder Funktionsprüfung des Werkzeugs stets, dass es ausgeschaltet und vom Stromnetz getrennt ist.

## Einstellen der Schnitttiefe

► **Abb.1:** 1. Zeiger 2. Knopf

Die Schnitttiefe kann durch einfaches Drehen des Knopfes an der Vorderseite des Werkzeugs eingestellt werden, so dass der Zeiger auf die gewünschte Schnitttiefe zeigt.

## Schalterfunktion

► **Abb.2:** 1. Ein-Aus-Schalter 2. Arretierknopf oder Einschaltsperrknopf

**⚠ VORSICHT:** Vergewissern Sie sich vor dem Anschließen des Werkzeugs an das Stromnetz stets, dass der Ein-Aus-Schalter ordnungsgemäß funktioniert und beim Loslassen in die AUS-Stellung zurückkehrt.

## Für Werkzeug mit Arretierknopf

**⚠ VORSICHT:** Der Schalter kann zur Arbeiterleichterung bei längerem Einsatz in der EIN-Stellung verriegelt werden. Lassen Sie Vorsicht walten, wenn Sie den Schalter in der EIN-Stellung verriegeln, und halten Sie das Werkzeug mit festem Griff.

Zum Einschalten des Werkzeugs betätigen Sie einfach den Ein-Aus-Schalter. Zum Ausschalten lassen Sie den Ein-Aus-Schalter los.

Für Dauerbetrieb den Ein-Aus-Schalter betätigen, und dann den Arretierknopf hineindrücken.

Zum Ausrasten der Sperre den Ein-Aus-Schalter bis zum Anschlag hineindrücken und dann loslassen.

## Für Werkzeug mit Einschaltsperrknopf

Um versehentliche Betätigung des Ein-Aus-Schalters zu verhüten, ist das Werkzeug mit einem Einschaltsperrknopf ausgestattet.

Zum Starten des Werkzeugs drücken Sie erst den Einschaltsperrknopf und betätigen dann den Ein-Aus-Schalter. Zum Ausschalten lassen Sie den Ein-Aus-Schalter los.

**⚠ VORSICHT:** Betätigen Sie den Ein-Aus-Schalter nicht gewaltsam, ohne den Einschaltsperrknopf zu drücken. Dies kann zu einer Beschädigung des Schalters führen.

## Fuß

► **Abb.3:** 1. Hobelmesser 2. Hintere Grundplatte 3. Fuß

Heben Sie nach einer Schneidarbeit die Rückseite des Werkzeugs an, so dass der Fuß aus der hinteren Grundplatte herauskommt. Dadurch wird eine Beschädigung der Hobelmesser verhindert.

## MONTAGE

**⚠ VORSICHT:** Vergewissern Sie sich vor der Ausführung von Arbeiten am Werkzeug stets, dass es ausgeschaltet und vom Stromnetz getrennt ist.

## Demontieren und Montieren der Hobelmesser

**⚠ VORSICHT:** Ziehen Sie die Messerbefestigungsschrauben sorgfältig an, wenn Sie die Hobelmesser am Werkzeug anbringen. Eine lockere Befestigungsschraube kann gefährlich sein. Vergewissern Sie sich immer, dass sie einwandfrei angezogen sind.

**⚠ VORSICHT:** Behandeln Sie die Hobelmesser mit größter Sorgfalt. Schützen Sie Ihre Finger oder Hände mit Handschuhen oder Lappen, wenn Sie die Messer abnehmen oder anbringen.

**⚠ VORSICHT:** Verwenden Sie nur den mitgelieferten Makita-Schraubenschlüssel zum Demontieren und Montieren der Hobelmesser. Anderenfalls besteht die Gefahr, dass die Befestigungsschrauben zu fest oder unzureichend angezogen werden. Dies könnte zu einer Verletzung führen.

## Für Werkzeug mit herkömmlichen Hobelmessern

Um die Hobelmesser von der Trommel zu entfernen, drehen Sie die Befestigungsschrauben mit dem Steckschlüssel heraus. Die Trommelabdeckung löst sich zusammen mit den Messern.

► **Abb.4:** 1. Steckschlüssel 2. Schrauben

► **Abb.5:** 1. Schrauben 2. Trommel 3. Hobelmesser 4. Trommelabdeckung 5. Einstellplatte 6. Führungsnut

Wenden Sie zum Montieren der Hobelmesser das folgende Verfahren an.

1. Säubern Sie die Trommel und die Hobelmesser von jeglichen anhaftenden Spänen oder Fremdkörpern.
2. Wählen Sie Hobelmesser der gleichen Abmessungen und des gleichen Gewichts. Anderenfalls kommt es zu Schwingungen/Vibrationen der Trommel, die schlechte Hobelwirkung und schließlich eine Betriebsstörung des Werkzeugs verursachen.

3. Stellen Sie die Hobelmesser mithilfe der Messerlehre korrekt ein. Setzen Sie das Hobelmesser auf die Lehrenbasis. Richten Sie die Schneidkante des Messers auf die Innenflanke der Lehrenplatte aus.

► **Abb.6:** 1. Innenflanke der Lehrenplatte  
2. Messerschneide 3. Hobelmesser  
4. Einstellplatte 5. Schrauben  
6. Hinterende 7. Rückseite der Lehrenbasis  
8. Lehrenplatte 9. Lehrenbasis

4. Legen Sie die Einstellplatte auf das Hobelmesser. Drücken Sie die Einstellplatte so, dass ihr Hinterende bündig mit der Rückseite der Lehrenbasis ist. Ziehen Sie zwei Schrauben an der Einstellplatte an.

5. Schieben Sie das Hinterende der Einstellplatte in die Trommelnut ein, und bringen Sie dann die Trommelabdeckung daran an.

6. Ziehen Sie alle Befestigungsschrauben gleichmäßig und abwechselnd mit dem Steckschlüssel an.

7. Wiederholen Sie das obige Verfahren für das andere Messer.

## Für Werkzeug mit Mini-Hobelmessern

Wenden Sie zum Auswechseln der Mini-Hobelmesser das folgende Verfahren an.

1. Reinigen Sie die Trommeloberflächen und die Trommelabdeckung sorgfältig.

2. Drehen Sie die drei Befestigungsschrauben mit dem Steckschlüssel heraus. Entfernen Sie die Trommelabdeckung, die Einstellplatte, die Anschlagplatte und das Mini-Hobelmesser.

► **Abb.7:** 1. Steckschlüssel 2. Schrauben

3. Stellen Sie die Hobelmesser mithilfe der Messerlehre korrekt ein. Setzen Sie das Mini-Hobelmesser auf die Lehrenbasis. Richten Sie die Schneidkante des Messers auf die Innenflanke der Lehrenplatte aus.

► **Abb.8:** 1. Schrauben 2. Einstellplatte  
3. Hobelmesser-Halteösen 4. Lehrenplatte  
5. Hinterende der Einstellplatte  
6. Anschlagplatte 7. Innenflanke der Lehrenplatte 8. Lehrenbasis 9. Rückseite der Lehrenbasis 10. Mini-Hobelmesser

4. Befestigen Sie die Einstellplatte mit den Schrauben provisorisch an der Anschlagplatte. Setzen Sie die Einstellplatte und die Anschlagplatte auf die Lehrenbasis. Passen Sie die Hobelmesser-Halteösen an der Anschlagplatte in die Führungsnut des Mini-Hobelmessers ein.

5. Legen Sie das Hinterende der Einstellplatte an die Rückseite der Lehrenbasis an, und ziehen Sie die Schrauben an. Überprüfen Sie die Ausrichtungen sorgfältig, um gleichförmiges Schneiden zu gewährleisten.

6. Schieben Sie das Hinterende der Einstellplatte in die Führungsnut der Trommel ein.

7. Setzen Sie die Trommelabdeckung auf die Anschlagplatte, und befestigen Sie die Teile mit den drei Schrauben provisorisch an der Trommel. Schieben Sie das Mini-Hobelmesser in den Zwischenraum zwischen der Trommel und der Anschlagplatte ein. Vergewissern Sie sich, dass die Hobelmesser-Halteösen an der Anschlagplatte in der Führungsnut des Mini-Hobelmessers sitzen.

► **Abb.9:** 1. Mini-Hobelmesser 2. Führungsnut  
3. Anschlagplatte 4. Schrauben  
5. Trommelabdeckung 6. Trommel  
7. Einstellplatte

8. Stellen Sie die Position des Mini-Hobelmessers in Längsrichtung so ein, dass die Messerenden frei sind und gleichen Abstand vom Gehäuse auf der einen Seite und von der Metallhalterung auf der anderen Seite haben.

9. Ziehen Sie die drei Schrauben mit dem mitgelieferten Steckschlüssel an, und drehen Sie die Trommel, um die Abstände zwischen den Messerenden und dem Fräskorb zu überprüfen.

10. Überprüfen Sie die drei Schrauben auf ihre endgültige Festigkeit.

11. Wiederholen Sie das obige Verfahren für das andere Messer.

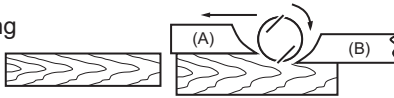
## Für die korrekte Hobelmesser-Einstellung

Sie werden eine raue und unebene Hobelfläche erhalten, wenn das Hobelmesser nicht ordnungsgemäß und sicher eingestellt wird. Das Hobelmesser muss so montiert sein, dass die Schneidkante absolut eben ist, das heißt parallel zur Oberfläche der hinteren Grundplatte.

Die nachstehenden Beispiele zeigen korrekte und falsche Einstellungen.

- (A) Vordere Grundplatte (beweglicher Schuh)
- (B) Hintere Grundplatte (feststehender Schuh)

Korrekte Einstellung



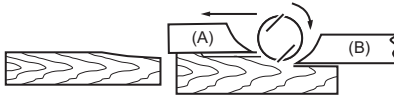
Obwohl diese Seitenansicht es nicht zeigen kann, verlaufen die Schnitten der Messer vollkommen parallel zur Oberfläche der hinteren Grundplatte.

Kerben in der Oberfläche



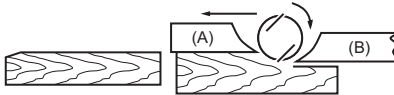
Ursache: Die Schneide eines oder beider Messer ist nicht parallel zur hinteren Basislinie.

Fugen am Anfang



Ursache: Eine oder beide Messerschneiden stehen in Bezug zur hinteren Basislinie nicht weit genug über.

Fugen am Ende



Ursache: Eine oder beide Messerschneiden stehen in Bezug zur hinteren Basislinie zu weit über.

## Anschließen eines Staubsaugers

**HINWEIS:** In manchen Ländern ist der Absaugstutzen eventuell nicht als Standardzubehör im Werkzeugpaket enthalten.

► **Abb.10**

### Für Werkzeug mit Absaugstutzen

Schließen Sie einen Schlauch des Sauggeräts an den Absaugstutzen an.

### Für Werkzeug ohne Absaugstutzen

1. Entfernen Sie die Späneabdeckung vom Werkzeug.
2. Montieren Sie den Absaugstutzen mit den Schrauben am Werkzeug.
3. Schließen Sie einen Schlauch des Sauggeräts an den Absaugstutzen an.

## Reinigen des Absaugstutzens

Reinigen Sie den Absaugstutzen regelmäßig. Verwenden Sie Druckluft zum Reinigen des verstopften Absaugstutzens.

## BETRIEB

**⚠️ WARNUNG:** Um die Verletzungsgefahr von Personen zu verringern, betreiben Sie das Werkzeug niemals, wenn Absaugstutzen oder Späneabdeckung nicht angebracht sind.

Halten Sie das Werkzeug während der Arbeit mit der einen Hand am Knopf und mit der anderen Hand am Schaltrigger fest.

### Hobetrieb

► **Abb.11:** 1. Anfang 2. Ende

Setzen Sie die vordere Grundplatte des Werkzeugs flach auf die Werkstückoberfläche, ohne dass die Hobelmesser das Werkstück berühren. Schalten Sie das Werkzeug ein, und warten Sie, bis die Messer ihre volle Drehzahl erreichen. Schieben Sie dann das Werkzeug mit gleichmäßiger Geschwindigkeit sachte vorwärts. Üben Sie am Anfang des Hobelvorgangs Druck auf das Vorderende, und am Ende des Hobelvorgangs auf das Hinterende des Werkzeugs aus.

Die Geschwindigkeit und Tiefe des Schnitts bestimmen die Oberflächenausführung. Um eine gute Oberflächenausführung zu erhalten, hobeln Sie tief, bis Sie sich der gewünschten Tiefe annähern, und dann im letzten Durchgang dünn und langsam.

## Überfälen (Falzen)

### ► Abb.12

Um einen gestuften Schnitt auszuführen, wie in der Abbildung gezeigt, verwenden Sie den Kantenanschlag (Richtlineal).

Zeichnen Sie eine Schnittlinie auf das Werkstück. Führen Sie den Kantenanschlag in das Loch im Vorderende des Werkzeugs ein. Richten Sie die Messerschneide auf die Schnittlinie aus.

► **Abb.13:** 1. Messerschneide 2. Schnittlinie

Stellen Sie den Kantenanschlag ein, bis er an der Seite des Werkstücks anliegt, und sichern Sie ihn dann durch Anziehen der Schraube.

► **Abb.14:** 1. Schraube 2. Kantenanschlag

Schieben Sie das Werkzeug beim Hobeln so vor, dass der Kantenanschlag an der Seite des Werkstücks anliegt. Anderenfalls erhalten Sie eine unebene Hobelfläche.

► **Abb.15**

Die maximale Überfältungstiefe (Falztiefe) beträgt 9 mm.

Bei Bedarf können Sie den Kantenanschlag durch Anbringen eines zusätzlichen Holzstücks verlängern. Zu diesem Zweck ist der Kantenanschlag mit zweckmäßigen Löchern versehen, an denen auch eine Verlängerungsführung (Sonderzubehör) angebracht werden kann.

► **Abb.16**

**HINWEIS:** Die Form des Richtlineals ist je nach Land unterschiedlich. In manchen Ländern ist das Richtlineal nicht im Standardzubehör enthalten.

## Anfasen

► **Abb.17**

► **Abb.18**

Um einen Fasenschnitt auszuführen, wie in der Abbildung gezeigt, richten Sie die „V“-Nut in der vorderen Grundplatte auf die Werkstückkante aus, und hobeln Sie diese.

## WARTUNG

**⚠ VORSICHT:** Vergewissern Sie sich vor der Durchführung von Überprüfungen oder Wartungsarbeiten des Werkzeugs stets, dass es ausgeschaltet und vom Stromnetz getrennt ist.

**⚠ VORSICHT:** Verwenden Sie auf keinen Fall Benzin, Waschbenzin, Verdünnern, Alkohol oder dergleichen. Solche Mittel können Verfärbung, Verformung oder Rissbildung verursachen.

## Schärfen der Hobelmesser

### Nur für herkömmliche Hobelmesser

Halten Sie Ihre Hobelmesser stets scharf, um die bestmögliche Leistung zu erzielen. Verwenden Sie den Schärfungshalter (Sonderzubehör), um Kerben zu entfernen und eine feine Schneide zu erzeugen.

► **Abb.19:** 1. Schärfungshalter

Lösen Sie zuerst die beiden Flügelmuttern am Halter, und führen Sie die Hobelmesser (A) und (B) ein, so dass sie die Seiten (C) und (D) berühren. Ziehen Sie dann die Flügelmuttern an.

► **Abb.20:** 1. Flügelmutter 2. Hobelmesser (A) 3. Hobelmesser (B) 4. Seite (D) 5. Seite (C)

Tauchen Sie den Abziehstein vor dem Schärfen 2 bis 3 Minuten lang in Wasser. Halten Sie den Halter so, dass beide Messer den Abziehstein berühren, um sie gleichzeitig im selben Winkel zu schärfen.

► **Abb.21**

## Auswechseln der Kohlebürsten

► **Abb.22:** 1. Verschleißgrenze

Die Kohlebürsten müssen regelmäßig entfernt und überprüft werden. Wenn sie bis zur Verschleißgrenze abgenutzt sind, müssen sie erneuert werden. Halten Sie die Kohlebürsten stets sauber, damit sie ungehindert in den Haltern gleiten können. Beide Kohlebürsten sollten gleichzeitig ausgewechselt werden. Verwenden Sie nur identische Kohlebürsten.

Entfernen Sie die Späneabdeckung oder die Düse mit einem Schraubendreher.

► **Abb.23:** 1. Späneabdeckung oder Düse 2. Schraubendreher

Drehen Sie die Bürstenhalterkappen mit einem Schraubendreher heraus.

Nehmen Sie die abgenutzten Kohlebürsten heraus, setzen Sie die neuen ein, und drehen Sie dann die Bürstenhalterkappen wieder ein.

► **Abb.24:** 1. Bürstenhalterkappe 2. Schraubendreher

Um die SICHERHEIT und ZUVERLÄSSIGKEIT dieses Produkts zu gewährleisten, sollten Reparaturen und andere Wartungs- oder Einstellarbeiten nur von Makita-Vertragswerkstätten oder Makita-Kundendienstzentren unter ausschließlicher Verwendung von Makita-Originalersatzteilen ausgeführt werden.

## DATI TECNICI

Modello:	M1901
Larghezza di piallatura	82 mm
Profondità di piallatura	2 mm
Profondità di intaglio per perline	9 mm
Velocità a vuoto	16.000 min <sup>-1</sup>
Lunghezza complessiva	285 mm
Peso netto	2,8 - 2,9 kg
Classe di sicurezza	▣/II

- In conseguenza del nostro programma di ricerca e sviluppo continui, i dati tecnici nel presente manuale sono soggetti a modifiche senza preavviso.
- I dati tecnici possono variare da nazione a nazione.
- Il peso può variare a seconda dell'accessorio o degli accessori. La combinazione più leggera e quella più pesante, in base alla Procedura EPTA 01/2014, sono indicate nella tabella.

### Utilizzo previsto

Questo utensile è destinato alla piallatura del legno.

### Alimentazione

L'utensile deve essere collegato a una fonte di alimentazione con la stessa tensione indicata sulla targhetta del nome, e può funzionare solo a corrente alternata monofase. L'utensile è dotato di doppio isolamento, per cui può essere utilizzato con prese elettriche sprovviste di messa a terra.

### Rumore

Livello tipico di rumore pesato A determinato in base allo standard EN62841-2-14:

Livello di pressione sonora ( $L_{pA}$ ): 88 dB (A)

Livello di potenza sonora ( $L_{WA}$ ): 96 dB (A)

Incertezza (K): 3 dB (A)

**NOTA:** Il valore o i valori dichiarati delle emissioni di rumori sono stati misurati in conformità a un metodo standard di verifica, e possono essere utilizzati per confrontare un utensile con un altro.

**NOTA:** Il valore o i valori dichiarati delle emissioni di rumori possono venire utilizzati anche per una valutazione preliminare dell'esposizione.

**⚠AVVERTIMENTO:** Indossare protezioni per le orecchie.

**⚠AVVERTIMENTO:** L'emissione di rumori durante l'utilizzo effettivo dell'utensile elettrico può variare rispetto al valore o ai valori dichiarati, a seconda dei modi in cui viene utilizzato l'utensile e specialmente a seconda di che tipo di pezzo venga lavorato.

**⚠AVVERTIMENTO:** Accertarsi di identificare misure di sicurezza per la protezione dell'operatore che siano basate su una stima dell'esposizione nelle condizioni effettive di utilizzo (tenendo conto di tutte le parti del ciclo operativo, ad esempio del numero di spegnimenti dell'utensile e di quando giri a vuoto, oltre al tempo di attivazione).

### Vibrazioni

Valore totale delle vibrazioni (somma vettoriale triassiale) determinato in base allo standard EN62841-2-14: Modalità di lavoro: smerigliatura della superficie Emissione di vibrazioni ( $a_{hv}$ ): 3,5 m/s<sup>2</sup> Incertezza (K): 1,5 m/s<sup>2</sup>

**NOTA:** Il valore o i valori complessivi delle vibrazioni dichiarati sono stati misurati in conformità a un metodo standard di verifica, e possono essere utilizzati per confrontare un utensile con un altro.

**NOTA:** Il valore o i valori complessivi delle vibrazioni dichiarati possono venire utilizzati anche per una valutazione preliminare dell'esposizione.

**⚠AVVERTIMENTO:** L'emissione delle vibrazioni durante l'utilizzo effettivo dell'utensile elettrico può variare rispetto al valore o ai valori dichiarati, a seconda dei modi in cui viene utilizzato l'utensile, specialmente a seconda di che tipo di pezzo venga lavorato.

**⚠AVVERTIMENTO:** Accertarsi di identificare misure di sicurezza per la protezione dell'operatore che siano basate su una stima dell'esposizione nelle condizioni effettive di utilizzo (tenendo conto di tutte le parti del ciclo operativo, ad esempio del numero di spegnimenti dell'utensile e di quando giri a vuoto, oltre al tempo di attivazione).

### Dichiarazioni di conformità

#### Solo per i paesi europei

Le Dichiarazioni di conformità sono incluse nell'Allegato A al presente manuale d'uso.

# AVVERTENZE DI SICUREZZA

## Avvertenze generali relative alla sicurezza dell'utensile elettrico

**⚠️ AVVERTIMENTO:** Leggere tutte le avvertenze di sicurezza, le istruzioni, le illustrazioni e i dati tecnici forniti con il presente utensile elettrico. La mancata osservanza di tutte le istruzioni elencate di seguito potrebbe risultare in scosse elettriche, incendi e/o gravi lesioni personali.

## Conservare tutte le avvertenze e le istruzioni come riferimento futuro.

Il termine "utensile elettrico" nelle avvertenze si riferisce sia all'utensile elettrico (cablato) nel funzionamento alimentato da rete elettrica che all'utensile elettrico (a batteria) nel funzionamento alimentato a batteria.

## Avvertenze di sicurezza relative alla pialla

1. **Prima di appoggiare l'utensile, attendere che la lama si arresti.** Una lama rotante esposta potrebbe fare presa sulla superficie, portando alla possibile perdita di controllo e a gravi lesioni personali.
2. **Mantenere l'utensile elettrico per le sue superfici di impugnatura isolate, poiché la lama potrebbe entrare in contatto con il proprio cavo di alimentazione.** L'eventuale taglio di un filo elettrico sotto tensione potrebbe mettere sotto tensione le parti metalliche esposte dell'utensile elettrico, e potrebbe causare una scossa elettrica all'operatore.
3. **Utilizzare delle morse o altri sistemi pratici per fissare e sostenere un pezzo in lavorazione su una piano stabile.** Un pezzo in lavorazione mantenuto in mano o contro il proprio corpo resta instabile, e potrebbe portare a una perdita di controllo.
4. **Non lasciare mai stracci, tessuti, cavi, nastri e oggetti simili in prossimità dell'area di lavoro.**
5. **Evitare di tagliare chiodi.** Prima dell'uso, ispezionare il pezzo in lavorazione e rimuovere da quest'ultimo tutti i chiodi.
6. **Utilizzare solo lame affilate.** Maneggiare le lame con estrema cautela.
7. **Prima dell'uso, accertarsi che i bulloni di installazione della lama siano serrati saldamente.**
8. **Mantenere saldamente l'utensile con entrambe le mani.**
9. **Tenere le mani lontane dalle parti rotanti.**

10. **Prima di utilizzare l'utensile sul pezzo in lavorazione effettivo, lasciarlo funzionare a vuoto per un po' di tempo.** Osservare l'eventuale presenza di vibrazioni od oscillazioni che potrebbero indicare un'installazione errata o un bilanciamento inappropriato della lama.
11. **Prima di attivare l'interruttore, accertarsi che la lama non sia in contatto con il pezzo in lavorazione.**
12. **Prima di effettuare il taglio, attendere che la lama abbia raggiunto la piena velocità.**
13. **Prima di effettuare qualsiasi regolazione, spegnere sempre l'utensile e attendere che le lame si siano arrestate completamente.**
14. **Non infilare mai le dita nello scarico dei trucioli.** Lo scarico potrebbe incepparsi quando si taglia del legno umido. Eliminare i trucioli con un bastoncino.
15. **Non lasciare l'utensile mentre è in funzione.** Far funzionare l'utensile solo mentre viene tenuto in mano.
16. **Sostituire sempre entrambe le lame o le coperture del tamburo; in caso contrario, si verificherebbero sbilanciamenti che causerebbero vibrazioni e ridurrebbero la vita utile dell'utensile.**
17. **Utilizzare esclusivamente le lame Makita specificate nel presente manuale.**
18. **Utilizzare sempre la mascherina antipolvere o il respiratore appropriati per il materiale e l'applicazione con cui si intende lavorare.**

## CONSERVARE LE PRESENTI ISTRUZIONI.

**⚠️ AVVERTIMENTO:** NON lasciare che la comodità o la familiarità d'uso con il prodotto (acquisita con l'uso ripetuto) sostituiscano la stretta osservanza delle norme di sicurezza.

**L'USO IMPROPRIO** o la mancata osservanza delle norme di sicurezza riportate nel presente manuale di istruzioni potrebbero causare lesioni personali gravi.

## DESCRIZIONE DELLE FUNZIONI

**⚠ATTENZIONE:** Accertarsi sempre che l'utensile sia spento e scollegato dall'alimentazione prima di regolare o controllare le sue funzioni.

### Regolazione della profondità di taglio

► Fig.1: 1. Indicatore 2. Manopola

È possibile regolare la profondità di taglio semplicemente ruotando la manopola sulla parte anteriore dell'utensile, affinché l'indicatore punti sulla profondità di taglio desiderata.

### Utilizzo dell'interruttore

► Fig.2: 1. Interruttore a grilletto 2. Pulsante di blocco o pulsante di sblocco

**⚠ATTENZIONE:** Prima di collegare l'utensile all'alimentazione elettrica, controllare sempre che l'interruttore a grilletto funzioni correttamente e che torni sulla posizione "OFF" quando viene rilasciato.

### Per utensili dotati di pulsante di blocco

**⚠ATTENZIONE:** È possibile bloccare l'interruttore sulla posizione "ON" per la comodità dell'operatore durante l'utilizzo prolungato. Fare attenzione quando si blocca l'utensile sulla posizione "ON" e mantenere una salda presa sull'utensile.

Per avviare l'utensile, è sufficiente premere l'interruttore a grilletto. Per arrestarlo, rilasciare l'interruttore a grilletto.

Per il funzionamento continuo, premere l'interruttore a grilletto, quindi far rientrare il pulsante di blocco premendo.

Per arrestare l'utensile dalla posizione bloccata, premere a fondo l'interruttore a grilletto, quindi rilasciarlo.

### Per utensili dotati di pulsante di sblocco

Per evitare l'azionamento accidentale dell'interruttore a grilletto, è fornito un pulsante di sblocco.

Per avviare l'utensile, premere il pulsante di sblocco, quindi premere l'interruttore a grilletto. Per arrestarlo, rilasciare l'interruttore a grilletto.

**⚠ATTENZIONE:** Non premere l'interruttore a grilletto senza premere il pulsante di sblocco. In caso contrario, si potrebbe causare la rottura dell'interruttore.

## Piede

► Fig.3: 1. Lama per pialla 2. Base posteriore 3. Piede

Dopo un'operazione di taglio, sollevare il lato posteriore dell'utensile in modo da far fuoriuscire il piede dalla base posteriore. In tal modo si evita il danneggiamento delle lame della pialla.

## MONTAGGIO

**⚠ATTENZIONE:** Accertarsi sempre che l'utensile sia spento e scollegato dall'alimentazione elettrica, prima di effettuare qualsiasi intervento su di esso.

### Rimozione o installazione delle lame della pialla

**⚠ATTENZIONE:** Quando si montano le lame per pialla sull'utensile, serrare con cura i bulloni di installazione delle lame. Un bullone di installazione allentato potrebbe essere pericoloso. Verificare sempre che siano serrati saldamente.

**⚠ATTENZIONE:** Maneggiare le lame per pialla con estrema cautela. Quando si intende rimuovere o installare le lame, utilizzare dei guanti o degli stracci per proteggere le dita o le mani.

**⚠ATTENZIONE:** Per rimuovere o installare le lame per pialla, utilizzare esclusivamente la chiave Makita in dotazione. In caso contrario, si potrebbe causare il serraggio eccessivo o insufficiente dei bulloni di installazione. Questo potrebbe causare lesioni personali.

### Per utensili dotati di lame per pialla convenzionali

Per rimuovere le lame per pialla sul tamburo, svitare i bulloni di installazione con la chiave a bussola. Il coperchio del tamburo si stacca insieme alle lame.

► Fig.4: 1. Chiave a bussola 2. Bulloni

► Fig.5: 1. Bulloni 2. Tamburo 3. Lama per pialla 4. Coperchio del tamburo 5. Piastra di regolazione 6. Scanalatura

Per installare le lame per pialla, attenersi alla procedura seguente.

1. Eliminare tutti i trucioli o il materiale estraneo presenti sul tamburo o sulle lame per pialla.
2. Scegliere lame per pialla della stessa dimensione e dello stesso peso. In caso contrario, si verificherebbero oscillazioni o vibrazioni che causerebbero una piallatura inadeguata e, infine, il danneggiamento dell'utensile.

3. Utilizzare il calibro per lame per posizionare correttamente le lame per pialla. Collocare la lama per pialla sulla base del calibro. Posizionare il filo della lama sul fianco interno della piastra del calibro.

► **Fig.6:** 1. Fianco interno della piastra del calibro 2. Filo della lama 3. Lama per pialla 4. Piastra di regolazione 5. Viti 6. Bordo sporgente 7. Lato posteriore della base del calibro 8. Piastra del calibro 9. Base del calibro

4. Posizionare la piastra di regolazione sulla lama per pialla. Premere la piastra di regolazione in modo che il suo bordo sporgente sia a filo con il lato posteriore della base del calibro. Serrare due viti sulla piastra di regolazione.

5. Far scivolare il bordo sporgente della piastra di regolazione nella scanalatura sul tamburo, quindi applicare il coperchio del tamburo sulla piastra.

6. Serrare tutti i bulloni di installazione in modo uniforme e alternato (un po' alla volta passando dall'uno all'altro) con la chiave a bussola.

7. Ripetere la procedura indicata sopra per l'altra lama.

## Per utensili dotati di minilame per pialla

Per sostituire le minilame per pialla, attenersi alla procedura seguente.

1. Pulire con cura le superfici e il coperchio del tamburo.

2. Svitare i tre bulloni di installazione con la chiave a bussola. Rimuovere il coperchio del tamburo, la piastra di regolazione, la piastra di fissaggio e la minilama per pialla.

► **Fig.7:** 1. Chiave a bussola 2. Bulloni

3. Utilizzare il calibro per lame per posizionare correttamente le lame per pialla. Collocare la minilama per pialla sulla base del calibro. Posizionare il filo della lama sul fianco interno della piastra del calibro.

► **Fig.8:** 1. Viti 2. Piastra di regolazione 3. Alette di posizionamento della lama per pialla 4. Piastra del calibro 5. Bordo sporgente della piastra di regolazione 6. Piastra di fissaggio 7. Fianco interno della piastra del calibro 8. Base del calibro 9. Lato posteriore della base del calibro 10. Minilama per pialla

4. Montare la piastra di regolazione, lasciandola allentata, sulla piastra di fissaggio con le viti. Sistemare la piastra di regolazione e la piastra di fissaggio sulla base del calibro. Inserire le alette di posizionamento della lama per pialla presenti sulla piastra di fissaggio nella scanalatura della minilama per pialla.

5. Posizionare il bordo sporgente della piastra di regolazione sul lato posteriore della base del calibro e serrare le viti. Controllare con attenzione gli allineamenti per assicurare tagli uniformi.

6. Infilare il bordo sporgente della piastra di regolazione nella scanalatura del tamburo.

7. Posizionare il coperchio del tamburo sulla piastra di fissaggio e applicare entrambi, lasciandoli allentati, sul tamburo con i tre bulloni. Far scivolare la minilama per pialla nello spazio tra il tamburo e la piastra di fissaggio. Accertarsi che le alette di posizionamento della lama per pialla presenti sulla piastra di fissaggio si inseriscano nella scanalatura della minilama per pialla.

► **Fig.9:** 1. Minilama per pialla 2. Scanalatura 3. Piastra di fissaggio 4. Bulloni 5. Coperchio del tamburo 6. Tamburo 7. Piastra di regolazione

8. Regolare la posizione della minilama per pialla nel senso della lunghezza, affinché le estremità della lama siano libere ed equidistanti dall'alloggiamento su un lato e dalla staffa di metallo sull'altro.

9. Serrare i tre bulloni con la chiave a bussola in dotazione e ruotare il tamburo per verificare che le estremità della lama siano distanziate dal corpo dell'utensile.

10. Controllare che i tre bulloni siano serrati saldamente in modo definitivo.

11. Ripetere la procedura indicata sopra per l'altra lama.



## Per un fissaggio corretto delle lame per pialla

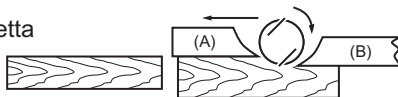
La superficie di piallatura risulterà ruvida e irregolare, se le lame della pialla non sono fissate in modo corretto e saldo. È necessario montare la lama per pialla in modo che il filo sia perfettamente in piano, vale a dire parallelo alla superficie della base posteriore.

Fare riferimento agli esempi seguenti di montaggio corretto ed errato.

(A) Base anteriore (pattino regolabile)

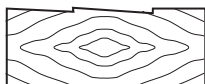
(B) Base posteriore (pattino fisso)

Impostazione corretta



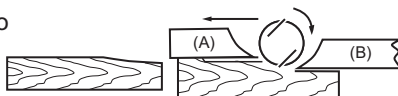
Sebbene non visibili in questa vista laterale, i fili delle lame sono perfettamente paralleli alla superficie della base posteriore.

Intaccature sulla superficie



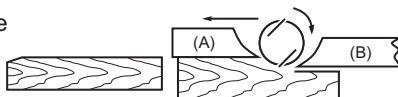
Causa: una o entrambe le lame non hanno i bordi paralleli alla linea della base posteriore.

Irregolarità all'inizio



Causa: uno o entrambi i fili delle lame non sporgono a sufficienza rispetto alla linea della base posteriore.

Irregolarità alla fine



Causa: uno o entrambi i fili delle lame sporgono troppo rispetto alla linea della base posteriore.

## Collegamento di un aspirapolvere

**NOTA:** In alcune nazioni, la bocchetta potrebbe non essere in dotazione nella confezione dell'utensile come accessorio di serie.

► Fig.10

### Per utensili dotati di bocchetta

Collegare un tubo flessibile dell'aspirapolvere alla bocchetta.

### Per utensili privi di bocchetta

1. Rimuovere il paratrucioli dall'utensile.
2. Installare sull'utensile la bocchetta utilizzando le viti.
3. Collegare un tubo flessibile dell'aspirapolvere alla bocchetta.

## Pulizia della bocchetta

Pulire la bocchetta a intervalli regolari.  
Utilizzare aria compressa per pulire la bocchetta intasata.

## FUNZIONAMENTO

**AVVERTIMENTO:** Per ridurre il rischio di lesioni alle persone, non utilizzare senza la bocchetta o il paratrucioli applicati.

Mantenere l'utensile saldamente con una mano sulla manopola e con l'altra mano sulla maniglia con l'interruttore.

### Operazione di piallatura

► Fig.11: 1. Inizio 2. Fine

Appoggiare la base anteriore dell'utensile di piatto sulla superficie del pezzo in lavorazione, senza che le lame della pialla vengano a contatto con quest'ultimo. Accendere l'utensile e attendere che le lame raggiungano la piena velocità. Quindi, spostare l'utensile delicatamente in avanti a velocità costante. Esercitare pressione sulla parte anteriore dell'utensile all'inizio della piallatura e sulla parte posteriore alla fine della piallatura.

La velocità e la profondità del taglio determinano la finitura. Per ottenere una buona finitura delle superfici, piallare in profondità fino a ottenere la profondità desiderata, quindi piallare lievemente e lentamente per il passaggio finale.

## Intaglio per perline (scanalatura)

### ► Fig.12

Per effettuare un taglio a scalino come indicato nella figura, utilizzare la guida di allineamento (righello guida).

Disegnare una linea di taglio sul pezzo in lavorazione. Inserire la guida di allineamento nel foro sulla parte anteriore dell'utensile. Allineare il filo della lama con la linea di taglio.

► Fig.13: 1. Filo della lama 2. Linea di taglio

Regolare la guida di allineamento fino a farla entrare in contatto con il lato del pezzo in lavorazione, quindi fissarla serrando la vite.

► Fig.14: 1. Vite 2. Guida di allineamento

Durante la piallatura, spostare l'utensile con la guida di allineamento a filo con il lato del pezzo in lavorazione. In caso contrario, potrebbe risultare una piallatura non uniforme.

### ► Fig.15

La profondità massima di intaglio per perline (scanalatura) è di 9 mm.

Potrebbe essere necessario prolungare la guida applicandovi un pezzo aggiuntivo di legno. A tale scopo nella guida sono presenti dei comodi fori, utilizzabili anche per montare una guida di prolunga (accessorio opzionale).

### ► Fig.16

**NOTA:** La forma del righello guida varia da nazione a nazione. In alcune nazioni, il righello guida non è incluso come accessorio di serie.

## Smussatura

### ► Fig.17

### ► Fig.18

Per effettuare una smussatura come indicato nella figura, allineare la scanalatura a "V" sulla base anteriore con il bordo del pezzo in lavorazione e piallarlo.

## MANUTENZIONE

**⚠ATTENZIONE:** Accertarsi sempre che l'utensile sia spento e scollegato dall'alimentazione elettrica, prima di tentare di eseguire interventi di ispezione o manutenzione.

**⚠ATTENZIONE:** Non utilizzare mai benzina, benzene, solventi, alcol o altre sostanze simili. In caso contrario, si potrebbero causare scolorimenti, deformazioni o crepe.

## Affilatura delle lame per pialla

### *Solo per lame per pialla convenzionali*

Per prestazioni ottimali, mantenere sempre le lame della pialla affilate. Utilizzare il portalama affilatore (accessorio opzionale) per rimuovere eventuali intaccature e produrre un filo uniforme.

► Fig.19: 1. Portalama affilatore

Innanzitutto, allentare i due dadi ad alette sul portalama e inserire le lame per pialla (A) e (B), in modo che entrino in contatto con i lati (C) e (D). Quindi, serrare i dadi ad alette.

► Fig.20: 1. Dado ad alette 2. Lama per pialla (A) 3. Lama per pialla (B) 4. Lato (D) 5. Lato (C)

Immergere la mola in acqua per 2 o 3 minuti prima di iniziare l'operazione di affilatura. Mantenere il portalama in modo che entrambe le lame siano in contatto con la mola, per un'affilatura simultanea alla stessa angolazione.

► Fig.21

## Sostituzione delle spazzole in carbonio

► Fig.22: 1. Indicatore di limite

Rimuovere e controllare le spazzole in carbonio a intervalli regolari. Sostituirle quando si usurano fino al segno di limite. Mantenere le spazzole in carbonio pulite e libere di scorrere negli appositi alloggiamenti. Entrambe le spazzole in carbonio vanno sostituite contemporaneamente. Utilizzare solo spazzole in carbonio identiche.

Utilizzare un cacciavite per rimuovere il paratrucioli o la bocchetta.

► Fig.23: 1. Paratrucioli o bocchetta 2. Cacciavite

Utilizzare un cacciavite per rimuovere i cappucci degli alloggiamenti delle spazzole.

Estrarre le spazzole in carbonio consumate, inserire quelle nuove e fissare i cappucci degli alloggiamenti delle spazzole.

► Fig.24: 1. Cappuccio dell'alloggiamento della spazzola 2. Cacciavite

Per preservare la SICUREZZA e l'AFFIDABILITÀ del prodotto, le riparazioni e qualsiasi altro intervento di manutenzione e di regolazione devono essere eseguiti da un centro di assistenza autorizzato Makita, utilizzando sempre ricambi Makita.

## TECHNISCHE GEGEVENS

Model:	M1901
Schaafbreedte	82 mm
Schaafdiepte	2 mm
Rabatdiepte	9 mm
Nullasttoerental	16.000 min <sup>-1</sup>
Totale lengte	285 mm
Nettogewicht	2,8 - 2,9 kg
Veiligheidsklasse	□/II

- In verband met ononderbroken research en ontwikkeling behouden wij ons het recht voor bovenstaande technische gegevens te wijzigen zonder voorafgaande kennisgeving.
- De technische gegevens kunnen van land tot land verschillen.
- Het gewicht kan verschillen afhankelijk van de hulpstukken. De lichtste en zwaarste combinatie, volgens EPTA-procedure 01/2014, worden vermeld in de tabel.

### Gebruiksdoelinden

Het gereedschap is bedoeld om hout te schaven.

### Voeding

Het gereedschap mag alleen worden aangesloten op een voeding van dezelfde spanning als aangegeven op het typeplaatje, en kan alleen worden gebruikt op enkelfase-wisselstroom. Het gereedschap is dubbel-geïsoleerd en kan derhalve ook op een niet-geaard stopcontact worden aangesloten.

### Geluidsniveau

De typische, A-gewogen geluidsniveaus zijn gemeten volgens EN62841-2-14:  
 Geluidsdruk niveau ( $L_{pA}$ ): 88 dB (A)  
 Geluidsvermogen niveau ( $L_{WA}$ ): 96 dB (A)  
 Onzekerheid (K): 3 dB (A)

**OPMERKING:** De opgegeven geluidsemissiewaarde(n) is/zijn gemeten volgens een standaardtestmethode en kan/kunnen worden gebruikt om dit gereedschap te vergelijken met andere gereedschappen.

**OPMERKING:** De opgegeven geluidsemissiewaarde(n) kan/kunnen ook worden gebruikt voor een beoordeling vooraf van de blootstelling.

**⚠ WAARSCHUWING:** Draag gehoorbescherming.

**⚠ WAARSCHUWING:** De geluidsemissie tijdens het gebruik van het elektrisch gereedschap in de praktijk kan verschillen van de opgegeven waarde(n) afhankelijk van de manier waarop het gereedschap wordt gebruikt, met name van het soort werkstuk waarmee wordt gewerkt.

**⚠ WAARSCHUWING:** Zorg ervoor dat veiligheidsmaatregelen worden getroffen ter bescherming van de gebruiker die zijn gebaseerd op een schatting van de blootstelling onder praktijkomstandigheden (rekening houdend met alle fasen van de bedrijfscyclus, zoals de tijdsduur gedurende welke het gereedschap is uitgeschakeld en stationair draait, naast de ingeschakelde tijdsduur).

### Trilling

De totale trillingswaarde (triaxiale vectorsom) zoals vastgesteld volgens EN62841-2-14:  
 Gebruikstoepassing: oppervlak slijpen  
 Trillingsemissie ( $a_h$ ): 3,5 m/s<sup>2</sup>  
 Onzekerheid (K): 1,5 m/s<sup>2</sup>

**OPMERKING:** De totale trillingswaarde(n) is/zijn gemeten volgens een standaardtestmethode en kan/kunnen worden gebruikt om dit gereedschap te vergelijken met andere gereedschappen.

**OPMERKING:** De opgegeven totale trillingswaarde(n) kan/kunnen ook worden gebruikt voor een beoordeling vooraf van de blootstelling.

**⚠ WAARSCHUWING:** De trillingsemissie tijdens het gebruik van het elektrisch gereedschap in de praktijk kan verschillen van de opgegeven waarde(n) afhankelijk van de manier waarop het gereedschap wordt gebruikt, met name van het soort werkstuk waarmee wordt gewerkt.

**⚠ WAARSCHUWING:** Zorg ervoor dat veiligheidsmaatregelen worden getroffen ter bescherming van de gebruiker die zijn gebaseerd op een schatting van de blootstelling onder praktijkomstandigheden (rekening houdend met alle fasen van de bedrijfscyclus, zoals de tijdsduur gedurende welke het gereedschap is uitgeschakeld en stationair draait, naast de ingeschakelde tijdsduur).

### Verklaringen van conformiteit

*Alleen voor Europese landen*

De verklaringen van conformiteit zijn bijgevoegd in Bijlage A bij deze gebruiksaanwijzing.

# VEILIGHEIDSWAARSCHUWINGEN

## Algemene veiligheidswaarschuwingen voor elektrisch gereedschap

**⚠ WAARSCHUWING:** Lees alle veiligheids-  
waarschuwingen, aanwijzingen, afbeeldingen en  
technische gegevens behorend bij dit elektrische  
gereedschap aandachtig door. Als u niet alle onder-  
staande aanwijzingen naleeft, kan dat resulteren in  
brand, elektrische schokken en/of ernstig letsel.

## Bewaar alle waarschuwingen en instructies om in de toekomst te kunnen raadplegen.

De term "elektrisch gereedschap" in de veiligheidsvoor-  
schriften duidt op gereedschappen die op stroom van  
het lichtnet werken (met snoer) of gereedschappen met  
een accu (snoerloos).

## Veiligheidswaarschuwingen specifiek voor een elektrische schaar

1. **Wacht totdat de schaaftmessen stilstaan alvorens het gereedschap neer te leggen.** De blootliggende, ronddraaiende schaaftmessen kunnen de ondergrond raken waardoor u de controle over het gereedschap kunt verliezen en ernstig letsel het gevolg kan zijn.
2. **Houd het elektrisch gereedschap vast bij het geïsoleerde oppervlak omdat de schaaftmessen met hun eigen snoer in aanraking kunnen komen.** Wanneer onder spanning staande draden worden geraakt, zullen de niet-geïsoleerde metalen delen van het gereedschap onder spanning komen te staan zodat de gebruiker een elektrische schok kan krijgen.
3. **Gebruik klemmen of andere bevestigingsmiddelen om het werkstuk op een stabiel platform te bevestigen en te ondersteunen.** Als u het werkstuk in uw hand of tegen uw lichaam geklemd houdt, is het onvoldoende stabiel en kunt u de controle erover verliezen.
4. **Poetsdoeken, lappen, snoeren, touwen en dergelijke mogen nooit rondslingeren op de werkplek.**
5. **Voorkom dat u spijkers raakt.** Inspecteer het werkstuk op spijkers en verwijder deze zo nodig voordat u ermee begint te werken.
6. **Gebruik uitsluitend scherpe schaaftmessen.** Behandel de schaaftmessen voorzichtig.
7. **Controleer of de bevestigingsbouten van de schaaftmessen stevig vastgedraaid zijn voordat u het gereedschap bedient.**
8. **Houd het gereedschap met beide handen stevig vast.**

9. **Houd uw handen uit de buurt van draaiende delen.**
10. **Laat het gereedschap een tijdje draaien voordat u het op het werkstuk gebruikt.** Controleer op trillingen of schommelingen die op onjuiste montage of slecht uitgebalanceerde schaaftmessen kunnen wijzen.
11. **Zorg dat de schaaftmessen het werkstuk niet raken voordat u de schakelaar inknipt.**
12. **Wacht totdat de schaaftmessen op volle snelheid draaien voordat u begint te schaven.**
13. **Wacht na het uitschakelen altijd totdat de schaaftmessen volledig stilstaan voordat u iets afstelt.**
14. **Steek nooit uw vinger in de houtsnippers-uitwerpopening.** De houtsnippers-uitwerpopening kan verstoep raken bij het schaven van vochtig hout. Verwijder de houtsnippers met een stokje.
15. **Laat het gereedschap niet onnodig ingeschakeld.** Bedien het gereedschap alleen terwijl u het vasthoudt.
16. **Vervang altijd beide schaaftmessen of cilinderdekplaten tegelijk omdat anders de resulterende onbalans tot trillingen zal leiden en de levensduur van het gereedschap zal verkorten.**
17. **Gebruik uitsluitend schaaftmessen van Makita die in deze gebruiksaanwijzing worden aangegeven.**
18. **Draag altijd het stofmasker/ademhalingsapparaat dat geschikt is voor het materiaal en de toepassing waarmee u werkt.**

## BEWAAR DEZE VOORSCHRIFTEN.

**⚠ WAARSCHUWING:** Laat u NIET misleiden door een vals gevoel van comfort en bekendheid met het gereedschap (na veelvuldig gebruik) en neem alle veiligheidsvoorschriften van het betreffende gereedschap altijd strikt in acht.

**VERKEERD GEBRUIK** of het niet naleven van de veiligheidsvoorschriften in deze gebruiksaanwijzing kan leiden tot ernstige verwondingen.

## BESCHRIJVING VAN DE FUNCTIES

**⚠ LET OP:** Controleer altijd of het gereedschap is uitgeschakeld en de stekker ervan uit het stopcontact is verwijderd alvorens de functies op het gereedschap te controleren of af te stellen.

### De schaafdiepte instellen

► Fig.1: 1. Aanwijspunt 2. Knop

De schaafdiepte kan worden ingesteld door de knop op de voorkant van het gereedschap te draaien zodat de aanwijspunt de gewenste schaafdiepte aanwijst.

### Werking van de schakelaar

► Fig.2: 1. Trekkerschakelaar 2. Vergrendelknop of uit-vergrendelknop

**⚠ LET OP:** Controleer altijd, voordat u de stekker in het stopcontact steekt, of de trekkerschakelaar op de juiste manier schakelt en weer terugkeert naar de uit-stand nadat deze is losgelaten.

## Voor gereedschappen met een vergrendelknop

**⚠ LET OP:** De schakelaar kan worden vergrendeld in de aan-stand ten behoeve van het gebruiksgemak bij langdurig gebruik. Wees voorzichtig wanneer het gereedschap in de aan-stand is vergrendeld en houd het gereedschap stevig vast.

Om het gereedschap te starten, knijpt u gewoon de trekkerschakelaar in. Laat de trekkerschakelaar los om het gereedschap te stoppen.

Om het gereedschap continu te laten werken, knijpt u de trekkerschakelaar in en drukt u vervolgens op de vergrendelknop.

Om vanuit de vergrendelde werking het gereedschap te stoppen, knijpt u de trekkerschakelaar helemaal in en laat u deze vervolgens weer los.

## Voor gereedschappen met een uit-vergrendelknop

Om te voorkomen dat de trekkerschakelaar per ongeluk wordt bediend, is een uit-vergrendelknop aangebracht. Om het gereedschap te starten, drukt u de uit-vergrendelknop in en knijpt u de trekkerschakelaar in. Laat de trekkerschakelaar los om het gereedschap te stoppen.

**⚠ LET OP:** Knijp de trekkerschakelaar niet hard in zonder de uit-vergrendelknop in te drukken. Hierdoor kan de schakelaar kapot gaan.

### Voet

► Fig.3: 1. Schaafmes 2. Achterzool 3. Voet

Na het schaven tilt u de achterkant van het gereedschap op zodat de voet uit de achterzool komt. Dit voorkomt dat de schaafmessen worden beschadigd.

## MONTAGE

**⚠ LET OP:** Zorg altijd dat het gereedschap is uitgeschakeld en dat zijn stekker uit het stopcontact is verwijderd alvorens enig werk aan het gereedschap uit te voeren.

## De schaafmessen aanbrengen en verwijderen

**⚠ LET OP:** Draai de bevestigingsbouten van het schaafmes zorgvuldig vast wanneer u de schaafmessen in het gereedschap bevestigt. Een losse bevestigingsbout kan gevaarlijk zijn. Controleer altijd of ze stevig vastgedraaid zijn.

**⚠ LET OP:** Behandel de schaafmessen erg voorzichtig. Gebruik handschoenen of doeken om uw vingers en handen te beschermen tijdens het aanbrengen en verwijderen van de schaafmessen.

**⚠ LET OP:** Gebruik uitsluitend de bijgeleverde Makita-sleutel bij het aanbrengen of verwijderen van de schaafmessen. Als u dit nalaat, loopt u het risico dat de bevestigingsbouten te vast of onvolgende vast aangedraaid worden. Hierdoor kan letsel worden veroorzaakt.

## Voor een gereedschap met conventionele schaafmessen

Om de schaafmessen vanaf de cilinder te verwijderen, draait u de bevestigingsbouten los met de dopsleutel. De cilinderdeklep komt los tezamen met de schaafmessen.

► Fig.4: 1. Dopsleutel 2. Bouten

► Fig.5: 1. Bouten 2. Cilinder 3. Schaafmes 4. Cilinderdeklep 5. Afstelplaat 6. Groef

Om de schaafmessen aan te brengen voert u de volgende procedure uit.

1. Verwijder eerst alle houtsnippers en vreemde stoffen die aan de cilinder en de schaafmessen kleven.

2. Kies schaafmessen van dezelfde afmetingen en hetzelfde gewicht. Als u dit niet doet kunnen slingering en trillingen optreden waardoor een slecht schaaresultaat ontstaat en uiteindelijk het gereedschap kapot zal gaan.

3. Gebruik de mesmeter om de schaafmessen correct af te stellen. Leg het schaafmes op het meetblok. Leg de snijrand van het schaafmes tegen de binnenrand van de meetplaat.

► Fig.6: 1. Binnenrand van de meetplaat 2. Rand van het schaafmes 3. Schaafmes 4. Afstelplaat 5. Schroeven 6. Hiel 7. Achterkant van het meetblok 8. Meetplaat 9. Meetblok

4. Plaats de afstelplaat op het schaafmes. Duw tegen de afstelplaat zodat de hiel ervan tegen de achterkant van het meetblok komt. Draai de twee schroeven op de afstelplaat vast.

5. Plaats de hiel van de afstelplaat in de groef van de cilinder en bevestig daarna de cilinderdeklep erop.

6. Draai de bevestigingsbouten gelijkmatig en beurtelings aan met behulp van de dopsleutel.

7. Herhaal de bovenstaande procedure voor het andere schaafmes.

## Voor een gereedschap met minischaafmessen

Om de minischaafmessen te vervangen voert u de volgende procedure uit.

1. Reinig het cilinderoppervlak en de cilinderdekplaat grondig.

2. Draai de drie bevestigingsbouten los met behulp van de dopsleutel. Verwijder de cilinderdekplaat, de afstelplaat, de aanzetplaat en het minischaafmes.

► **Fig.7:** 1. Dopsleutel 2. Bouten

3. Gebruik de mesmeter om de schaafmessen correct af te stellen. Leg het minischaafmes op het meetblok. Leg de snijrand van het schaaftmes tegen de binnenrand van de meetplaat.

► **Fig.8:** 1. Schroeven 2. Afstelplaat  
3. Positioneerlippen van het schaaftmes  
4. Meetplaat 5. Hiel van de afstelplaat  
6. Aanzetplaat 7. Binnenrand van de meetplaat 8. Meetblok 9. Achterkant van het meetblok 10. Minischaafmes

4. Bevestig de afstelplaat losjes op de aanzetplaat met behulp van de schroeven. Leg de afstelplaat en de aanzetplaat op het meetblok. Zorg ervoor dat de positioneerlippen van het schaaftmes op de aanzetplaat in de groef van het minischaafmes vallen.

5. Plaats de hiel van de afstelplaat in de achterkant van het meetblok en draai de schroeven vast. Controleer zorgvuldig of de uitlijningen correct zijn voor uniform schaaftwerk.

6. Plaats de hiel van de afstelplaat in de groef van de cilinder.

7. Plaats de cilinderdekplaat op de aanzetplaat en bevestig ze losjes op de cilinder met behulp van de drie bouten. Schuif het minischaafmessen in de ruimte tussen de cilinder en de aanzetplaat. Zorg ervoor dat de positioneerlippen van het schaaftmes op de aanzetplaat in de groef van het minischaafmes vallen.

► **Fig.9:** 1. Minischaafmes 2. Groef 3. Aanzetplaat  
4. Bouten 5. Cilinderdekplaat 6. Cilinder  
7. Afstelplaat

8. Stel de positie van het minischaafmes in de lengterichting af zodat de uiteinden van het minischaafmes zichtbaar zijn en dezelfde afstand hebben tot de behuizing aan één kant en de metalen steun aan de andere kant.

9. Draai de drie bouten vast met de bijgeleverde dopsleutel en draai de cilinder rond om de speling te controleren tussen de uiteinden van het minischaafmes en de behuizing van het gereedschap.

10. Controleer tenslotte of de drie bouten stevig zijn aangedraaid.

11. Herhaal de bovenstaande procedure voor het andere schaaftmes.

## Voor de juiste afstelling van het schaaftmes

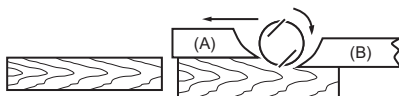
Uw schaaftwerk zal ruw en ongelijkmatig worden als het schaaftmes niet goed en stevig is aangebracht. Het schaaftmes moet worden bevestigd zodat de snijrand absoluut recht is, dat wil zeggen: parallel aan de rand van de achterzool.

Raadpleeg de onderstaande voorbeelden van juiste en onjuiste afstellingen.

(A) Voorzool (beweegbare schoen)

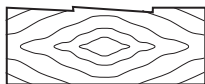
(B) Achterzool (vaste schoen)

Juiste afstelling



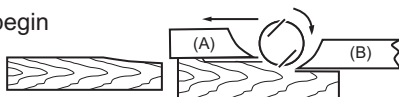
Ondanks dat het niet zichtbaar is op dit zijaanzicht, lopen de randen van de schaaftmessen perfect parallel aan de rand van de achterzool.

Inkepingen in het oppervlak



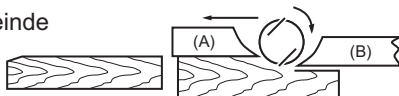
Oorzaak: Een of beide schaaftmessen loopt niet parallel aan de rand van de achterzool.

Uithollen aan het begin



Oorzaak: Een of beide schaaftmessen steekt niet ver genoeg uit ten opzichte van de rand van de achterzool.

Uithollen aan het einde



Oorzaak: Een of beide schaaftmessen steekt te ver uit ten opzichte van de rand van de achterzool.

## Een stofzuiger aansluiten

**OPMERKING:** In sommige landen is het mondstuk mogelijk niet inbegrepen in de doos van het gereedschap als standaard toebehoren.

► Fig.10

## Voor een gereedschap met mondstuk

Sluit de stofzuigerslang aan op het mondstuk.

## Voor een gereedschap zonder mondstuk

1. Verwijder de schaafselafdekking vanaf het gereedschap.
2. Monteer het mondstuk op het gereedschap met behulp van de schroeven.
3. Sluit de stofzuigerslang aan op het mondstuk.

## Het mondstuk reinigen

Reinig het mondstuk regelmatig.  
Gebruik perslucht om een verstopt mondstuk te reinigen.

## BEDIENING

**⚠WAARSCHUWING:** Om de kans op letsel voor personen te verkleinen, mag u het gereedschap niet bedienen zonder dat het mondstuk of de schaafselafdekking is aangebracht.

Houd het gereedschap stevig vast met één hand op de knop en de andere hand aan de schakelaarhandgreep tijdens het gebruik van het gereedschap.

## Gebruik als schaaft

► Fig.11: 1. Begin 2. Einde

Plaats de voorzool van het gereedschap plat op het oppervlak van het werkstuk zonder dat de schaaftmesen het werkstuk raken. Schakel het gereedschap in en wacht totdat de schaaftmesen op volle snelheid draaien. Beweeg het gereedschap vervolgens met een gelijkmatige snelheid naar voren. Oefen aan het begin van het schaven druk uit op de voorkant van het gereedschap en aan het einde van het schaven op de achterkant van het gereedschap.

De voortgangssnelheid en schaaftdiepte bepalen het eindresultaat. Om een goede afwerking te verkrijgen, schaaft u diep tot vlakbij de gewenste diepte, en schaaft u vervolgens dun en langzaam in de laatste werkgang.

## Rabatten

► Fig.12

Om een haakse verdieping aan te brengen, zoals aangegeven in de afbeelding, gebruikt u de randgeleider (liniaal).

Teken een schaaflijn op het werkstuk. Steek de randgeleider in het gat aan de voorkant van het gereedschap. Lijn de rand van het schaaftmes uit met de schaaflijn.

► Fig.13: 1. Rand van het schaaftmes 2. Schaaflijn

Stel de randgeleider af totdat deze de zijkant van het werkstuk raakt, en zet deze daarna stevig vast door de schroef aan te draaien.

► Fig.14: 1. Schroef 2. Randgeleider

Beweeg tijdens het schaven het gereedschap met de randgeleider strak langs de zijkant van het werkstuk. Als u dat niet doet, kan ongelijkmatig schaaftwerk het gevolg zijn.

► Fig.15

De maximumdiepte bij rabatten is 9 mm.

U kunt de lengte van de randgeleider vergroten door er een stuk hout aan te bevestigen. Voor dit doel zijn reeds gaten aangebracht in de randgeleider, en tevens voor het bevestigen van een verlengstuk (optioneel accessoire).

► Fig.16

**OPMERKING:** De vorm van de liniaal kan van land tot land verschillen. In sommige landen is de liniaal niet inbegrepen als standaard toebehoren.

## Afschuinen

► Fig.17

► Fig.18

Om een schuine kant te schaven zoals aangegeven in de afbeelding, lijnt u de "V"-groef in de voorzool uit met de hoek van het werkstuk en schaaft u het.

## ONDERHOUD

**⚠LET OP:** Zorg altijd dat het gereedschap is uitgeschakeld en zijn stekker uit het stopcontact is verwijderd alvorens te beginnen met inspectie of onderhoud.

**⚠LET OP:** Gebruik nooit benzine, wasbenzine, thinner, alcohol en dergelijke. Hierdoor kunnen verkleuring, vervormingen en barsten worden veroorzaakt.

## De schaaftmesen slijpen

### Alleen voor conventionele schaaftmesen

Zorg ervoor dat de schaaftmesen altijd scherp zijn voor de beste prestaties. Gebruik de aanscherphouder (optioneel accessoire) om inkepingen te verwijderen en een scherpe snede te maken.

► Fig.19: 1. Aanscherphouder

Draai eerst de twee vleugelmoeren op de houder los en steek de schaaftmesen (A) en (B) erin zodat ze de zijkanten (C) en (D) raken. Draai daarna de vleugelmoeren vast.

► Fig.20: 1. Vleugelmoer 2. Schaaftmes (A) 3. Schaaftmes (B) 4. Zijkant (D) 5. Zijkant (C)

Houd de wetsteen gedurende 2 of 3 minuten onder water alvorens te slijpen. Houd de houder zodanig vast dat beide messen de wetsteen raken om ze gelijkmatig te slijpen onder dezelfde hoek.

► Fig.21

## De koolborstels vervangen

### ► Fig.22: 1. Slijtgrensmarkering

Verwijder en controleer de koolborstels regelmatig. Vervang deze wanneer ze tot aan de slijtgrensmarkering zijn afgesleten. Houd de koolborstels schoon en zorg ervoor dat ze vrij kunnen bewegen in de houders. Beide koolborstels dienen tegelijkertijd te worden vervangen. Gebruik alleen identieke koolborstels.

Verwijder de schaafselafdekking of het mondstuk met behulp van een schroevendraaier.

### ► Fig.23: 1. Schaafselafdekking of mondstuk 2. Schroevendraaier

Gebruik een schroevendraaier om de koolborsteldoppen te verwijderen.

Haal de versleten koolborstels eruit, schuif de nieuwe erin, en zet daarna de koolborsteldoppen weer goed vast.

### ► Fig.24: 1. Koolborsteldop 2. Schroevendraaier

Om de VEILIGHEID en BETROUWBAARHEID van het gereedschap te handhaven, dienen alle reparaties, onderhoud of afstellingen te worden uitgevoerd bij een erkend Makita-servicecentrum of de Makita-fabriek, en altijd met gebruik van Makita-vervangingsonderdelen.



## ESPECIFICACIONES

Modelo:	M1901
Anchura de cepillado	82 mm
Profundidad de cepillado	2 mm
Profundidad de rebajamiento	9 mm
Velocidad en vacío	16.000 min <sup>-1</sup>
Longitud total	285 mm
Peso neto	2,8 - 2,9 kg
Clase de seguridad	▣/II

- Debido a nuestro continuado programa de investigación y desarrollo, las especificaciones aquí dadas están sujetas a cambios sin previo aviso.
- Las especificaciones pueden ser diferentes de país a país.
- El peso puede variar dependiendo del accesorio(s). La combinación menos pesada y la más pesada, de acuerdo con el procedimiento EPTA 01/2014, se muestran en la tabla.

### Uso previsto

La herramienta ha sido prevista para cepillar madera.

### Alimentación

La herramienta deberá ser conectada solamente a una fuente de alimentación de la misma tensión que la indicada en la placa de características, y solamente puede ser utilizada con alimentación de CA monofásica. La herramienta tiene doble aislamiento y puede, por lo tanto, utilizarse también en tomas de corriente sin conductor de tierra.

### Ruido

El nivel de ruido A-ponderado típico determinado de acuerdo con la norma EN62841-2-14:

Nivel de presión sonora ( $L_{pA}$ ): 88 dB (A)

Nivel de potencia sonora ( $L_{WA}$ ): 96 dB (A)

Error (K): 3 dB (A)

**NOTA:** El valor (o los valores) de emisión de ruido declarado ha sido medido de acuerdo con un método de prueba estándar y se puede utilizar para comparar una herramienta con otra.

**NOTA:** El valor (o valores) de emisión de ruido declarado también se puede utilizar en una valoración preliminar de exposición.

**⚠ ADVERTENCIA:** Póngase protectores para oídos.

**⚠ ADVERTENCIA:** La emisión de ruido durante la utilización real de la herramienta eléctrica puede variar del valor (o los valores) de emisión declarado dependiendo de las formas en las que la herramienta sea utilizada, especialmente qué tipo de pieza de trabajo se procesa.

**⚠ ADVERTENCIA:** Asegúrese de identificar medidas de seguridad para proteger al operario que estén basadas en una estimación de la exposición en las condiciones reales de utilización (teniendo en cuenta todas las partes del ciclo operativo como las veces cuando la herramienta está apagada y cuando está funcionando en vacío además del tiempo de gatillo).

### Vibración

El valor total de la vibración (suma de vectores triaxiales) determinado de acuerdo con la norma EN62841-2-14:

Modo de trabajo: amolado superficial

Emisión de vibración ( $a_{h1}$ ): 3,5 m/s<sup>2</sup>

Error (K): 1,5 m/s<sup>2</sup>

**NOTA:** El valor (o los valores) total de emisión de vibración declarado ha sido medido de acuerdo con un método de prueba estándar y se puede utilizar para comparar una herramienta con otra.

**NOTA:** El valor (o los valores) total de emisión de vibración declarado también se puede utilizar en una valoración preliminar de exposición.

**⚠ ADVERTENCIA:** La emisión de vibración durante la utilización real de la herramienta eléctrica puede variar del valor (o los valores) de emisión declarado dependiendo de las formas en las que la herramienta sea utilizada, especialmente qué tipo de pieza de trabajo se procesa.

**⚠ ADVERTENCIA:** Asegúrese de identificar medidas de seguridad para proteger al operario que estén basadas en una estimación de la exposición en las condiciones reales de utilización (teniendo en cuenta todas las partes del ciclo operativo como las veces cuando la herramienta está apagada y cuando está funcionando en vacío además del tiempo de gatillo).

### Declaraciones de conformidad

*Para países europeos solamente*

Las declaraciones de conformidad están incluidas como Anexo A de este manual de instrucciones.

# ADVERTENCIAS DE SEGURIDAD

## Advertencias de seguridad para herramientas eléctricas en general

**⚠️ ADVERTENCIA:** Lea todas las advertencias de seguridad, instrucciones, ilustraciones y especificaciones provistas con esta herramienta eléctrica. Si no sigue todas las instrucciones indicadas abajo podrá resultar en una descarga eléctrica, un incendio y/o heridas graves.

## Guarde todas las advertencias e instrucciones para futuras referencias.

El término "herramienta eléctrica" en las advertencias se refiere a su herramienta eléctrica de funcionamiento con conexión a la red eléctrica (con cable) o herramienta eléctrica de funcionamiento a batería (sin cable).

## Advertencias de seguridad para el cepillo

1. **Espere hasta que el cortador se detenga antes de dejar la herramienta.** Un cortador expuesto girando puede entrar en contacto con la superficie dando lugar a la pérdida de control y heridas graves.
2. **Sujete la herramienta eléctrica por las superficies de asiento aisladas, porque el cortador puede entrar en contacto con su propio cable.** Cortar un cable con corriente puede hacer que la corriente circule por las partes metálicas expuestas de la herramienta eléctrica y puede soltar una descarga eléctrica al operario.
3. **Utilice mordazas u otros medios de sujeción prácticos para sujetar y apoyar la pieza de trabajo en una plataforma estable.** Sujetada con su mano o contra el cuerpo, la pieza de trabajo estará inestable y podrá dar lugar a la pérdida del control.
4. **Los trapos, ropa, cables, cuerdas y por el estilo no deberán ser dejados nunca alrededor del área de trabajo.**
5. **Evite cortar clavos.** Inspeccione la pieza de trabajo por si tiene clavos y retirelos todos antes de la operación.
6. **Utilice solamente cuchillas afiladas.** Maneje las cuchillas con mucho cuidado.
7. **Asegúrese de que los pernos de instalación de la cuchilla están apretados firmemente antes de la operación.**
8. **Sujete la herramienta firmemente con ambas manos.**
9. **Mantenga las manos alejadas de las partes giratorias.**

10. **Antes de utilizar la herramienta en un pieza de trabajo definitiva, déjela funcionar durante un rato.** Observe por si hay vibración o bamboleo que pueda indicar una mala instalación o un mal equilibrio de la cuchilla.
11. **Asegúrese de que la cuchilla no está tocando la pieza de trabajo antes de activar el interruptor.**
12. **Espere hasta que la cuchilla alcance plena velocidad antes de cortar.**
13. **Apague siempre la herramienta y espere hasta que las cuchillas se hayan parado completamente antes de hacer cualquier ajuste.**
14. **No meta nunca su dedo dentro del conducto de viruta.** El conducto puede atascarse cuando se corta madera húmeda. Limpie las virutas con un palo.
15. **No deje la herramienta en marcha.** Opere la herramienta solamente cuando la tenga en las manos.
16. **Cambie siempre ambas cuchillas o cubiertas del tambor, de lo contrario el desequilibrio resultante ocasionará vibración y acortará la vida útil de la herramienta.**
17. **Utilice solamente cuchillas Makita especificadas en este manual.**
18. **Utilice siempre la mascarilla contra el polvo/respirador correcto para el material y la aplicación con que esté trabajando.**

## GUARDE ESTAS INSTRUCCIONES.

**⚠️ ADVERTENCIA:** NO deje que la comodidad o familiaridad con el producto (a base de utilizarlo repetidamente) sustituya la estricta observancia de las normas de seguridad para el producto en cuestión.

**EL MAL USO o el no seguir las normas de seguridad establecidas en este manual de instrucciones podrá ocasionar graves heridas personales.**

## DESCRIPCIÓN DEL FUNCIONAMIENTO

**⚠ PRECAUCIÓN:** Asegúrese siempre de que la herramienta esté apagada y desenchufada antes de intentar realizar cualquier tipo de ajuste o comprobación en ella.

### Ajuste de la profundidad de corte

► Fig.1: 1. Puntero 2. Pomo

La profundidad de corte se puede ajustar simplemente girando el pomo de la parte delantera de la herramienta de forma que el puntero apunte a la profundidad de corte deseada.

### Accionamiento del interruptor

► Fig.2: 1. Gatillo interruptor 2. Botón de bloqueo o botón de desbloqueo

**⚠ PRECAUCIÓN:** Antes de enchufar la herramienta, compruebe siempre para cerciorarse de que el gatillo interruptor se acciona debidamente y que vuelve a la posición "OFF" cuando lo suelta.

### Para herramienta con botón de bloqueo

**⚠ PRECAUCIÓN:** El interruptor se puede bloquear en la posición "encendida" para mayor comodidad del operario durante una utilización prolongada. Tenga precaución cuando bloquee la herramienta en la posición "encendida" y mantenga empuñada firmemente la herramienta.

Para poner en marcha la herramienta, simplemente apriete el gatillo interruptor. Suelte el gatillo interruptor para parar. Para una operación continua, apriete el gatillo y después presione hacia dentro el botón de bloqueo. Para parar la herramienta desde la posición bloqueada, apriete el gatillo interruptor a tope, después suéltelo.

### Para herramienta con botón de desbloqueo

Para evitar que el gatillo interruptor pueda accionarse accidentalmente, se ha provisto un botón de desbloqueo.

Para poner en marcha la herramienta, presione hacia dentro el botón de desbloqueo y apriete el gatillo interruptor. Suelte el gatillo interruptor para parar.

**⚠ PRECAUCIÓN:** No apriete con fuerza el gatillo interruptor sin presionar el botón de desbloqueo. Podrá ocasionar la rotura del interruptor.

### Pie

► Fig.3: 1. Cuchilla de cepillo 2. Base trasera 3. Pie

Después de una operación de corte, levante el lado trasero de la herramienta de forma que el pie salga de la base trasera. Esto evita que las cuchillas de cepillo se dañen.

## MONTAJE

**⚠ PRECAUCIÓN:** Asegúrese siempre de que la herramienta esté apagada y desenchufada antes de realizar cualquier trabajo en la herramienta.

### Desmontaje o instalación de las cuchillas de cepillo

**⚠ PRECAUCIÓN:** Apriete los pernos de instalación de la cuchilla con cuidado cuando coloque las cuchillas de cepillo en la herramienta. Un perno de instalación flojo puede ser peligroso. Compruebe siempre para ver que están apretados firmemente.

**⚠ PRECAUCIÓN:** Maneje las cuchillas de cepillo con mucho cuidado. Utilice guantes o trapos para proteger sus dedos o manos cuando retire o instale las cuchillas.

**⚠ PRECAUCIÓN:** Utilice solamente la llave Makita provista para retirar o instalar las cuchillas de cepillo. No hacerlo podrá resultar en un apriete excesivo o insuficiente de los pernos de instalación. Esto podrá ocasionar heridas.

### Para herramienta con cuchillas de cepillo convencionales

Para retirar las cuchillas de cepillo del tambor, desenrosque los pernos de instalación con la llave de tubo. La cubierta del tambor se suelta junto con las cuchillas.

► Fig.4: 1. Llave de tubo 2. Pernos

► Fig.5: 1. Pernos 2. Tambor 3. Cuchilla de cepillo 4. Cubierta del tambor 5. Placa de ajuste 6. Ranura

Para instalar las cuchillas de cepillo, realice el procedimiento siguiente.

1. Limpie todas las virutas o materia extraña adheridas al tambor y las cuchillas de cepillo.
2. Elija cuchillas de cepillo de las mismas dimensiones y peso. De lo contrario resultará en oscilación/vibración del tambor, ocasionando una acción de cepillado incorrecta y, eventualmente, la rotura de la herramienta.
3. Utilice el calibrador de cuchillas para ajustar las cuchillas de cepillo correctamente. Ponga la cuchilla de cepillo en la base del calibrador. Aplique el borde de corte de la cuchilla al flanco interior de la placa del calibrador.  
► Fig.6: 1. Flanco interior de la placa del calibrador 2. Borde de la cuchilla 3. Cuchilla de cepillo 4. Placa de ajuste 5. Tornillos 6. Talón 7. Lado trasero de la base del calibrador 8. Placa del calibrador 9. Base del calibrador
4. Ponga la placa de ajuste sobre la cuchilla de cepillo. Presione la placa de ajuste de forma que su talón quede a ras con el lado trasero de la base del calibrador. Apriete dos tornillos de la placa de ajuste.
5. Deslice el talón de la placa de ajuste dentro de la ranura del tambor, después encaje la cubierta del tambor en él.
6. Apriete todos los pernos de instalación uniforme y alternadamente con la llave de tubo.
7. Repita el procedimiento de arriba para la otra cuchilla.

## Para herramienta con mini cuchillas de cepillo

Para reemplazar las mini cuchillas de cepillo, realice el procedimiento siguiente.

1. Limpie con cuidado las superficies del tambor y la cubierta del tambor.
2. Desenrosque los tres pernos de instalación con la llave de tubo. Retire la cubierta del tambor, la placa de ajuste, la placa de posición y la mini cuchilla de cepillo.
 

► **Fig.7:** 1. Llave de tubo 2. Pernos
3. Utilice el calibrador de cuchillas para ajustar las cuchillas de cepillo correctamente. Ponga la mini cuchilla de cepillo en la base del calibrador. Aplique el borde de corte de la cuchilla al flanco interior de la placa del calibrador.
 

► **Fig.8:** 1. Tornillos 2. Placa de ajuste 3. Patillas de ubicación de cuchilla de cepillo 4. Placa del calibrador 5. Talón de la placa de ajuste 6. Placa de posición 7. Flanco interior de la placa del calibrador 8. Base del calibrador 9. Lado trasero de la base del calibrador 10. Mini cuchilla de cepillo
4. Coloque flojamente la placa de ajuste en la placa de posición con los tornillos. Ponga la placa de ajuste y la placa de posición sobre la base del calibrador. Encaje las patillas de ubicación de cuchilla de cepillo de la placa de posición dentro de la ranura de la mini cuchilla de cepillo.

5. Aplique el talón de la placa de ajuste sobre el lado trasero de la base del calibrador y apriete los tornillos. Compruebe la alineación con cuidado para asegurar un corte uniforme.

6. Deslice el talón de la placa de ajuste dentro de la ranura del tambor.

7. Ponga la cubierta del tambor en la placa de posición y encájelos flojamente sobre el tambor con los tres pernos. Deslice la mini cuchilla de cepillo dentro del espacio entre el tambor y la placa de posición. Asegúrese de que las patillas de ubicación de cuchilla de cepillo de la placa de posición encajan en la ranura de la mini cuchilla de cepillo.

► **Fig.9:** 1. Mini cuchilla de cepillo 2. Ranura 3. Placa de posición 4. Pernos 5. Cubierta del tambor 6. Tambor 7. Placa de ajuste

8. Ajuste la posición de la mini cuchilla de cepillo longitudinalmente de forma que los extremos de la cuchilla estén despejados y equidistantes de la carcasa por un lado y del soporte metálico por el otro.

9. Apriete los tres pernos con la llave de tubo provista y gire el tambor para comprobar las holguras entre los extremos de la cuchilla y el cuerpo de la herramienta.

10. Compruebe los tres pernos para un apretado final.

11. Repita el procedimiento de arriba para la otra cuchilla.

## Para el ajuste correcto de la cuchilla de cepillo

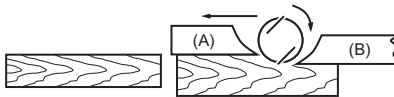
La superficie de cepillado acabará basta y desigual, a menos que la cuchilla de cepillo esté ajustada debida y firmemente. La cuchilla de cepillo deberá ser montada de forma que el borde de corte esté absolutamente nivelado, es decir, paralelo a la superficie de la base trasera.

Consulte abajo algunos ejemplos para ver ajustes apropiados e inapropiados.

(A) Base delantera (Zapata móvil)

(B) Base trasera (Zapata estacionaria)

Ajuste correcto



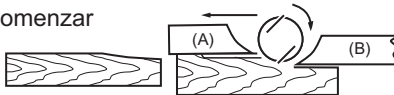
Aunque esta vista lateral no puede mostrarlo, los bordes de las cuchillas transcurren perfectamente paralelos a la superficie de la base trasera.

Mellas en la superficie



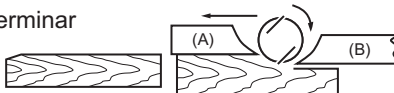
Causa: Una o ambas cuchillas no tienen el borde paralelo a la línea de la base trasera.

Ahuecamiento al comenzar



Causa: Uno o ambos bordes de la cuchilla no sobresale lo suficiente en relación con la línea de la base trasera.

Ahuecamiento al terminar



Causa: Uno o ambos bordes de la cuchilla sobresale demasiado en relación con la línea de la base trasera.

## Conexión de un aspirador

**NOTA:** En algunos países, la boquilla puede no estar incluida en el paquete de la herramienta como accesorio estándar.

► Fig.10

### Para herramienta con boquilla

Conecte una manguera del aspirador a la boquilla.

### Para herramienta sin boquilla

1. Retire la cubierta contra virutas de la herramienta.
2. Instale la boquilla en la herramienta utilizando los tornillos.
3. Conecte una manguera del aspirador a la boquilla.

## Limpeza de la boquilla

Limpe la boquilla regularmente.

Utilice aire comprimido para limpiar la boquilla obstruida.

## OPERACIÓN

**⚠ADVERTENCIA:** Para reducir el riesgo de causar heridas a personas, no utilice sin haber instalado la boquilla o la cubierta contra virutas.

Sujete la herramienta firmemente con una mano en el pomo y la otra en el mango del interruptor cuando utilice la herramienta.

### Operación de cepillado

► Fig.11: 1. Comenzar 2. Terminar

Aplique la base delantera de la herramienta plana sobre la pieza de trabajo sin que las cuchillas de cepillo hagan contacto con la pieza de trabajo. Encienda la herramienta y espere hasta que las cuchillas adquieran plena velocidad. Después mueva la herramienta hacia adelante suavemente a una velocidad uniforme. Aplique presión en la parte delantera de la herramienta al comenzar el cepillado, y en la parte trasera al terminar el cepillado.

La velocidad y profundidad de corte determinan el acabado. Para obtener un buen acabado de superficie, cepille profundamente hasta que esté cerca de la profundidad deseada, y después cepille fina y lentamente para la pasada final.

### Rebajamiento (Machihembrado)

► Fig.12

Para hacer un corte escalonado como se muestra en la figura, utilice la guía de borde (regla guía).

Trace una línea de corte en la pieza de trabajo. Inserte la guía de borde dentro del agujero de la parte delantera de la herramienta. Alinee el borde de la cuchilla con la línea de corte.

► Fig.13: 1. Borde de la cuchilla 2. Línea de corte

Ajuste la guía de borde hasta que esté en contacto con el costado de la pieza de trabajo, después sujétela apretando el tornillo.

► Fig.14: 1. Tornillo 2. Guía de borde

Cuando cepille, mueva la herramienta con la guía de borde a ras con el costado de la pieza de trabajo. De lo contrario resultará en un cepillado irregular.

► Fig.15

La profundidad máxima de rebajamiento (machihembrado) es de 9 mm.

Es posible que usted quiera alargar la longitud de la guía colocando una pieza extra de madera. En la guía de borde se han provisto agujeros que resultan útiles para este propósito, y también para colocar una guía de extensión (accesorio opcional).

► Fig.16

**NOTA:** La forma de la regla guía puede variar de un país a otro. En algunos países, la regla guía no está incluida como accesorio estándar.

## Achaflanado

► Fig.17

► Fig.18

Para hacer un corte achaflanado como se muestra en la figura, alinee la ranura en "V" en la base delantera con el borde de la pieza de trabajo y cepíllela.

## MANTENIMIENTO

**⚠PRECAUCIÓN:** Asegúrese siempre de que la herramienta está apagada y desenchufada antes de intentar realizar la inspección o el mantenimiento.

**⚠PRECAUCIÓN:** No utilice nunca gasolina, bencina, disolvente, alcohol o similares. Podría producir descoloración, deformación o grietas.

### Afilado de las cuchillas de cepillo

*Para cuchillas de cepillo convencionales solamente*

Mantenga siempre sus cuchillas de cepillo afiladas para obtener el mejor rendimiento posible. Utilice el soporte de afilado (accesorio opcional) para retirar mellas y producir un borde fino.

► Fig.19: 1. Soporte de afilado

Primero, afloje las dos tuercas de mariposa del soporte e inserte las cuchillas de cepillo (A) y (B), de forma que queden en contacto con los lados (C) y (D). Después apriete las tuercas de mariposa.

► Fig.20: 1. Tuerca de mariposa 2. Cuchilla de cepillo (A) 3. Cuchilla de cepillo (B) 4. Lado (D) 5. Lado (C)

Sumerja la piedra de afilar en agua durante 2 o 3 minutos antes de afilar. Sujete el soporte de manera que ambas cuchillas estén en contacto con la piedra de afilar para un afilado simultáneo al mismo ángulo.

► Fig.21

## Reemplazo de las escobillas de carbón

► **Fig.22:** 1. Marca de límite

Extraiga y compruebe las escobillas de carbón regularmente. Reemplácelas cuando se hayan gastado hasta la marca de límite. Mantenga las escobillas de carbón limpias y de forma que entren libremente en el portaescobillas. Ambas escobillas de carbón deberán ser reemplazadas al mismo tiempo. Utilice únicamente escobillas de carbón idénticas.

Utilice un destornillador para retirar la cubierta contra virutas o boquilla.

► **Fig.23:** 1. Cubierta contra virutas o boquilla  
2. Destornillador

Utilice un destornillador para retirar los tapones portaescobillas.

Extraiga las escobillas de carbón desgastadas, inserte las nuevas y sujete los tapones portaescobillas.

► **Fig.24:** 1. Tapón portaescobillas 2. Destornillador

Para mantener la SEGURIDAD y FIABILIDAD del producto, las reparaciones, y cualquier otra tarea de mantenimiento o ajuste deberán ser realizadas en centros de servicio o de fábrica autorizados por Makita, empleando siempre repuestos Makita.

## ESPECIFICAÇÕES

Modelo:	M1901
Largura da superfície aplainada	82 mm
Profundidade da superfície aplainada	2 mm
Profundidade da superfície sobreposta	9 mm
Velocidade sem carga	16.000 min <sup>-1</sup>
Comprimento geral	285 mm
Peso líquido	2,8 - 2,9 kg
Classe de segurança	▣/II

- Devido a um programa contínuo de pesquisa e desenvolvimento, estas especificações podem ser alteradas sem aviso prévio.
- As especificações podem variar de país para país.
- O peso poderá diferir em função do(s) acessório(s). A combinação mais leve e a mais pesada, de acordo com o Procedimento EPTA 01/2014, são apresentadas na tabela.

### Utilização a que se destina

A ferramenta serve para aplainar madeira.

### Alimentação

A ferramenta só deve ser ligada a uma fonte de alimentação com a mesma tensão da indicada na placa de características, e só funciona com alimentação de corrente alterna (CA) monofásica. Tem um sistema de isolamento duplo e pode, por isso, utilizar tomadas sem ligação à terra.

### Ruído

A característica do nível de ruído A determinado de acordo com a EN62841-2-14:

Nível de pressão acústica ( $L_{pA}$ ): 88 dB (A)

Nível de potência acústica ( $L_{WA}$ ): 96 dB (A)

Variabilidade (K): 3 dB (A)

**NOTA:** O(s) valor(es) da emissão de ruído indicado(s) foi medido de acordo com um método de teste padrão e pode ser utilizado para comparar duas ferramentas.

**NOTA:** O(s) valor(es) da emissão de ruído indicado(s) pode também ser utilizado na avaliação preliminar da exposição.

**⚠️ AVISO:** Utilize protetores auriculares.

**⚠️ AVISO:** A emissão de ruído durante a utilização real da ferramenta elétrica pode diferir do(s) valor(es) indicado(s), dependendo das formas como a ferramenta é utilizada, especialmente o tipo de peça de trabalho que é processada.

**⚠️ AVISO:** Certifique-se de identificar as medidas de segurança para proteção do operador que sejam baseadas em uma estimativa de exposição em condições reais de utilização (considerando todas as partes do ciclo de operação, tal como quando a ferramenta está desligada e quando está a funcionar em marcha lenta além do tempo de acionamento).

### Vibração

Valor total da vibração (soma vetorial tri-axial) determinado de acordo com a EN62841-2-14:

Modo de trabalho: desbaste de superfície

Emissão de vibração ( $a_h$ ): 3,5 m/s<sup>2</sup>

Variabilidade (K): 1,5 m/s<sup>2</sup>

**NOTA:** O(s) valor(es) total(ais) de vibração indicado(s) foi medido de acordo com um método de teste padrão e pode ser utilizado para comparar duas ferramentas.

**NOTA:** O(s) valor(es) total(ais) de vibração indicado(s) pode também ser utilizado na avaliação preliminar da exposição.

**⚠️ AVISO:** A emissão de vibração durante a utilização real da ferramenta elétrica pode diferir do(s) valor(es) indicado(s), dependendo das formas como a ferramenta é utilizada, especialmente o tipo de peça de trabalho que é processada.

**⚠️ AVISO:** Certifique-se de identificar as medidas de segurança para proteção do operador que sejam baseadas em uma estimativa de exposição em condições reais de utilização (considerando todas as partes do ciclo de operação, tal como quando a ferramenta está desligada e quando está a funcionar em marcha lenta além do tempo de acionamento).

### Declarações de conformidade

**Apenas para os países europeus**

As Declarações de conformidade estão incluídas no Anexo A deste manual de instruções.

# AVISOS DE SEGURANÇA

## Avisos gerais de segurança para ferramentas elétricas

**⚠️ AVISO:** Leia todos os avisos de segurança, instruções, ilustrações e especificações fornecidos com esta ferramenta elétrica. O não cumprimento de todas as instruções indicadas em baixo pode resultar em choque elétrico, incêndio e/ou ferimentos graves.

## Guarde todos os avisos e instruções para futuras referências.

O termo “ferramenta elétrica” nos avisos refere-se às ferramentas elétricas ligadas à corrente elétrica (com cabo) ou às ferramentas elétricas operadas por meio de bateria (sem cabo).

## Avisos de segurança da plaina

1. **Aguarde que o cortador pare antes de colocar a ferramenta em baixo.** Um cortador rotativo exposto pode prender na superfície levando a possível perda de controle e a ferimentos graves.
2. **Segure a ferramenta elétrica pelas superfícies de agarramento isoladas, porque o cortador pode entrar em contacto com o seu próprio cabo.** Cortar um fio sob tensão poderá colocar peças metálicas expostas da ferramenta elétrica sob tensão e pode causar um choque elétrico no operador.
3. **Utilize braçadeiras ou outra forma prática de fixar e suportar a peça de trabalho numa plataforma estável.** Segurar a peça de trabalho com a mão ou contra o corpo deixa-a instável e pode levar a perda de controle.
4. **Os trapos, panos, cabos, cordas e outros semelhantes não devem ser deixados junto da área de trabalho.**
5. **Evite cortar pregos. Inspeccione e remova todos os pregos da peça de trabalho antes da operação.**
6. **Utilize apenas lâminas afiadas. Manuseie as lâminas com extremo cuidado.**
7. **Certifique-se de que os pernos de instalação da lâmina estão bem apertados antes da operação.**
8. **Segure a ferramenta firmemente com as duas mãos.**
9. **Mantenha as mãos afastadas das peças rotativas.**
10. **Antes de utilizar a ferramenta numa peça de trabalho real, deixe-a a funcionar durante algum tempo. Verifique se existem vibrações ou movimentos irregulares que possam indicar má instalação ou uma lâmina mal equilibrada.**
11. **Certifique-se de que a lâmina não está em contacto com a peça de trabalho antes de o interruptor ser ligado.**
12. **Aguarde até a lâmina atingir a velocidade máxima antes de cortar.**
13. **Desligue sempre e espere que as lâminas parem completamente antes de ajustar.**
14. **Nunca leve o seu dedo até ao separador de aparas. O separador pode encravar quando cortar madeira húmida. Limpe as aparas com um pau.**
15. **Não deixe a ferramenta a funcionar. Opere a ferramenta apenas quando a tiver nas mãos.**

16. **Mude sempre as duas lâminas ou tampas no tambor, caso contrário o desequilíbrio resultante provocará vibrações e uma menor vida útil da ferramenta.**
17. **Utilize apenas lâminas Makita especificadas neste manual.**
18. **Utilize sempre a máscara contra o pó/respirador correto relativamente ao material e à aplicação em que está a trabalhar.**

## GUARDE ESTAS INSTRUÇÕES.

**⚠️ AVISO:** NÃO permita que o conforto ou a familiaridade com o produto (adquirido com o uso repetido) substitua a adesão estrita às regras de segurança da ferramenta.

**A MÁ INTERPRETAÇÃO** ou o não seguimento das regras de segurança estabelecidas neste manual de instruções pode causar danos pessoais graves.

## DESCRIÇÃO FUNCIONAL

**⚠️ PRECAUÇÃO:** Certifique-se sempre de que a ferramenta está desligada e com a ficha retirada da tomada, antes de proceder a afinações ou de verificar o funcionamento da respetiva ferramenta.

## Ajustar a profundidade de corte

► Fig. 1: 1. Seta 2. Botão

A profundidade do corte pode ser ajustada rodando simplesmente o botão na frente da ferramenta de forma a que a seta aponte para a profundidade de corte pretendida.

## Ação do interruptor

► Fig. 2: 1. Gatilho 2. Botão de bloqueio ou botão de desbloqueio

**⚠️ PRECAUÇÃO:** Antes de ligar a ferramenta à corrente, verifique sempre se o gatilho funciona corretamente e volta para a posição “OFF” quando libertado.

## Para ferramentas com botão de bloqueio

**⚠️ PRECAUÇÃO:** O interruptor pode ser bloqueado na posição de ligado para facilidade de conforto do operador durante a utilização alargada. Aplique todo o cuidado quando bloquear a ferramenta na posição de ligado e mantenha-se a agarrar a ferramenta firmemente.

Para pôr a ferramenta a funcionar, basta puxar o gatilho. Solte o gatilho para parar.

Para a operação contínua, puxe o gatilho e carregue no botão de bloqueio.

Para a ferramenta sair da posição de bloqueada, puxe o gatilho até ao fim e, depois, solte-o.



## Para ferramentas com botão de desbloqueio

Para evitar que o gatilho seja puxado acidentalmente, existe um botão de desbloqueio.

Para pôr a ferramenta a funcionar, carregue no botão de desbloqueio e puxe o gatilho. Solte o gatilho para parar.

**⚠️ PRECAUÇÃO:** Não puxe o gatilho com força sem carregar no botão de desbloqueio. Isto pode fazer com que o interruptor parta.

### Pé

► **Fig. 3:** 1. Lâmina da plaina 2. Base traseira 3. Pé

Após uma operação de corte, suba a parte de trás da ferramenta de forma a que o pé saia da base traseira. Isto evita que as lâminas da plaina fiquem danificadas.

## MONTAGEM

**⚠️ PRECAUÇÃO:** Certifique-se sempre de que a ferramenta está desligada e com a ficha retirada da tomada antes de executar quaisquer trabalhos na ferramenta.

### Remover ou instalar as lâminas da plaina

**⚠️ PRECAUÇÃO:** Aperte os parafusos de instalação da lâmina com cuidado quando fixar as lâminas da plaina na ferramenta. Deixar um parafuso de instalação solto pode ser perigoso. Verifique sempre se eles estão apertados em segurança.

**⚠️ PRECAUÇÃO:** Manuseie as lâminas da plaina com extremo cuidado. Utilize luvas ou trapos para proteger os dedos ou as mãos quando remover ou instalar as lâminas.

**⚠️ PRECAUÇÃO:** Utilize apenas a chave Makita fornecida para remover ou instalar as lâminas da plaina. O não cumprimento desta indicação pode resultar em aperto demasiado ou aperto insuficiente dos parafusos de instalação. Isto pode provocar ferimentos.

## Para ferramentas com lâminas de plaina convencionais

Para remover as lâminas da plaina no tambor, desaperte os parafusos de instalação com a chave de caixa. A tampa do tambor solta-se juntamente com as lâminas.

► **Fig. 4:** 1. Chave de caixa 2. Pernos

► **Fig. 5:** 1. Pernos 2. Tambor 3. Lâmina da plaina 4. Tampa do tambor 5. Chapa de ajuste 6. Ranhura

Para instalar as lâminas da plaina, realize o seguinte procedimento.

1. Limpe todas as aparas ou matérias estranhas coladas ao tambor e às lâminas da plaina.
  2. Escolha lâminas da plaina com as mesmas dimensões e pesos. Caso contrário, resultará em oscilação/vibração do tambor provocando uma ação de aplinar fraca e, eventualmente, a quebra da ferramenta.
  3. Utilize o calibre da lâmina para instalar corretamente as lâminas da plaina. Coloque a lâmina da plaina na base de calibre. Aplique a extremidade de corte da lâmina no flanco interior da chapa de calibre.
- **Fig. 6:** 1. Flanco interior da chapa de calibre 2. Extremidade da lâmina 3. Lâmina da plaina 4. Chapa de ajuste 5. Parafusos 6. Talão 7. Parte traseira da base de calibre 8. Chapa de calibre 9. Base de calibre

4. Coloque a chapa de ajuste na lâmina da plaina. Pressione a chapa de ajuste de forma a que o talão fique à face da parte traseira da base de calibre. Aperte os dois parafusos na chapa de ajuste.
5. Faça deslizar o talão da chapa de ajuste para dentro da ranhura do tambor, depois, instale a tampa do tambor sobre a mesma.
6. Aperte todos os parafusos de instalação de forma equilibrada e alternadamente com a chave de caixa.
7. Repita o procedimento acima para a outra lâmina.

## Para ferramentas com minilâminas de plaina

Para substituir as minilâminas da plaina, realize o seguinte procedimento.

1. Limpe cuidadosamente as superfícies do tambor e a tampa do tambor.
  2. Desaperte os três parafusos de instalação com a chave de caixa. Retire a tampa do tambor, a chapa de ajuste, a chapa de assentamento e a minilâmina da plaina.
- **Fig. 7:** 1. Chave de caixa 2. Pernos
3. Utilize o calibre da lâmina para instalar corretamente as lâminas da plaina. Coloque a minilâmina da plaina na base de calibre. Aplique a extremidade de corte da lâmina no flanco interior da chapa de calibre.
- **Fig. 8:** 1. Parafusos 2. Chapa de ajuste 3. Entalhes de colocação da lâmina da plaina 4. Chapa de calibre 5. Talão da chapa de ajuste 6. Chapa de assentamento 7. Flanco interior da chapa de calibre 8. Base de calibre 9. Parte traseira da base de calibre 10. Minilâmina da plaina

4. Fixe a chapa sem prender com força de ajuste na chapa de assentamento com os parafusos. Coloque a chapa de ajuste e a chapa de assentamento na base de calibre. Instale os entalhes de colocação da lâmina da plaina na chapa de assentamento dentro da ranhura da minilâmina da plaina.
5. Aplique o talão da chapa de ajuste sobre a parte traseira da base de calibre e aperte os parafusos. Verifique os alinhamentos com cuidado para garantir um corte uniforme.
6. Faça deslizar o talão da chapa de ajuste para dentro da ranhura do tambor.

7. Coloque a tampa do tambor na chapa de assentamento e instale-as deixando-as soltas sobre o tambor com três parafusos. Faça deslizar a minilâmina da plaina para dentro do espaço entre o tambor e a chapa de assentamento. Certifique-se de que os entalhes de colocação da lâmina da plaina na chapa de assentamento encaixam dentro da ranhura da minilâmina da plaina.

► **Fig.9:** 1. Minilâmina da plaina 2. Ranhura 3. Chapa de assentamento 4. Pernos 5. Tampa do tambor 6. Tambor 7. Chapa de ajuste

8. Ajuste longitudinalmente a posição da minilâmina da plaina de forma a que as extremidades da lâmina estejam libertas e equidistantes da caixa num dos lados e do suporte de metal no outro.

9. Aperte os três parafusos com a chave de caixa fornecida e rode o tambor para verificar as folgas entre as extremidades da lâmina e o corpo da ferramenta.

10. Verifique os três parafusos para um aperto final.

11. Repita o procedimento acima para a outra lâmina.

## Para a colocação correta da lâmina da plaina

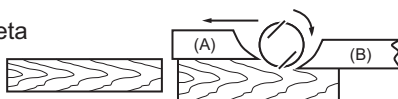
A superfície a aplainar ficará áspera e irregular, a menos que a lâmina da plaina esteja instalada adequadamente e de forma segura. A lâmina da plaina tem de estar montada de forma a que a extremidade de corte esteja perfeitamente nivelada, ou seja, paralela à superfície da base traseira.

Consulte alguns exemplos em baixo para ficar a conhecer as configurações corretas e incorretas.

(A) base frontal (sapata amovível)

(B) base traseira (sapata fixa)

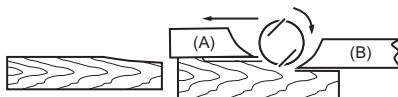
Configuração correta



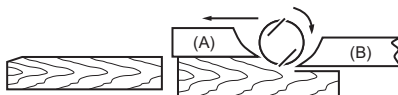
Farpas na superfície



Calibrar no início



Calibrar no fim



Apesar de esta vista lateral não conseguir mostrar, as extremidades das lâminas funcionam totalmente paralelas com a superfície da base traseira.

Causa: uma ou ambas as lâminas não têm as extremidades paralelas à linha de base traseira.

Causa: uma ou ambas as extremidades das lâminas não estão suficientemente salientes relativamente à linha de base traseira.

Causa: uma ou ambas as extremidades das lâminas sobressaem demasiado em relação à linha de base traseira.

## Ligar um aspirador

**NOTA:** Em alguns países, o bocal pode não estar incluído na embalagem da ferramenta como acessório padrão.

► **Fig.10**

## Para ferramentas com bocal

Ligue uma mangueira do aspirador ao bocal.

## Para ferramentas sem bocal

1. Retire a tampa para as aparas da ferramenta.
2. Instale o bocal na ferramenta utilizando os parafusos.
3. Ligue uma mangueira do aspirador ao bocal.

## Limpeza do bocal

Limpe o bocal regularmente. Utilize ar comprimido para limpar o bocal entupido.

## OPERAÇÃO

**AVISO:** Para reduzir o risco de ferimentos em pessoas, não trabalhe se o bocal ou a tampa para as aparas não estiverem instalados.

Segure firmemente na ferramenta com uma mão no botão e a outra na pega do interruptor quando a utilizar.

## Operação de aplainar

► **Fig.11:** 1. Início 2. Fim

Encoste a base frontal da ferramenta sobre a superfície da peça de trabalho sem que as lâminas da plaina estejam em contacto com a peça de trabalho. Ligue e aguarde até as lâminas atingirem a velocidade máxima. Depois, mova a ferramenta suavemente para a frente a uma velocidade uniforme. Aplique pressão na parte da frente da ferramenta no início da ação de aplainar e na parte de trás no final da ação de aplainar.

A velocidade e a profundidade do corte determinam o acabamento. Para obter um bom acabamento da superfície, aplaine profundamente até atingir quase a profundidade pretendida e, em seguida, aplaine fina e lentamente na passagem final.

## Superfície sobreposta (rebaixamento)

### ► Fig.12

Para realizar um corte em degraus como indicado na figura, utilize a guia paralela (régua guia).

Desenhe uma linha de corte na peça de trabalho. Insira a guia paralela dentro do orifício na frente da ferramenta. Alinhe a extremidade da lâmina com a linha de corte.

### ► Fig.13: 1. Extremidade da lâmina 2. Linha de corte

Ajuste a guia paralela até ela estar em contacto com a parte lateral da peça de trabalho, depois fixe-a apertando o parafuso.

### ► Fig.14: 1. Parafuso 2. Guia paralela

Durante a ação de aplainar, mova a ferramenta com a guia paralela à face da parte lateral da peça de trabalho. Caso contrário, poderá resultar num trabalho irregular.

### ► Fig.15

A profundidade máxima de sobreposição (rebaixamento) é de 9 mm.

Pode pretender aumentar o comprimento da guia juntando um pedaço de madeira suplementar. A guia apresenta alguns orifícios convenientes para este fim e também para anexar uma guia de extensão (acessório opcional).

### ► Fig.16

**NOTA:** O formato da régua guia é diferente de país para país. Em alguns países, a régua guia não está incluída como acessório padrão.

## Chanfragem

### ► Fig.17

### ► Fig.18

Para realizar um corte chanfrado como indicado na figura, alinhe a ranhura em "V" na base frontal com a extremidade da peça de trabalho e aplaine-a.

## MANUTENÇÃO

**⚠PRECAUÇÃO:** Certifique-se sempre de que a ferramenta está desligada e com a ficha retirada da tomada antes de tentar proceder à inspeção ou à manutenção.

**⚠PRECAUÇÃO:** Nunca utilize gasolina, benzina, diluente, álcool ou produtos semelhantes. Pode ocorrer a descoloração, deformação ou rachaduras.

## Afiar as lâminas da plaina

### Apenas para lâminas de plaina convencionais

Mantenha sempre as lâminas de plaina afiadas para obter o melhor desempenho possível. Utilize o suporte de afiar (acessório opcional) para remover as farpas e produzir uma extremidade bem acabada.

### ► Fig.19: 1. Suporte de afiar

Primeiro, solte as duas porcas de orelhas no suporte e insira as lâminas da plaina (A) e (B) de forma a que fiquem em contacto com as laterais (C) e (D). Depois, aperte as porcas de orelhas.

### ► Fig.20: 1. Porca de orelhas 2. Lâmina da plaina (A) 3. Lâmina da plaina (B) 4. Lado (D) 5. Lado (C)

Submerja a pedra de amolar em água durante 2 ou 3 minutos antes de afiar. Segure no suporte de forma a que ambas as lâminas estejam em contacto com a pedra de amolar para as afiar em simultâneo no mesmo ângulo.

### ► Fig.21

## Substituição das escovas de carvão

### ► Fig.22: 1. Marca limite

Remova e verifique regularmente as escovas de carvão. Substitua quando estiverem desgastadas até à marca limite. Mantenha as escovas de carvão limpas e libertas para deslizarem nos suportes. As duas escovas de carvão têm de ser substituídas ao mesmo tempo. Utilize apenas escovas de carvão idênticas.

Utilize uma chave de parafusos para remover a tampa para as aparas ou o bocal.

### ► Fig.23: 1. Tampa para as aparas ou bocal 2. Chave de parafusos

Utilize uma chave de parafusos para retirar as tampas do suporte das escovas.

Retire as escovas de carvão usadas, coloque as novas e prenda as tampas do suporte das escovas.

### ► Fig.24: 1. Tampa do suporte da escova 2. Chave de parafusos

Para manter a SEGURANÇA e a FIABILIDADE do produto, as reparações e qualquer outra manutenção ou ajuste devem ser levados a cabo pelos centros de assistência Makita autorizados ou pelos centros de assistência de fábrica, utilizando sempre peças de substituição Makita.

## SPECIFIKATIONER

<b>Model:</b>	<b>M1901</b>
Afhøvlingsbredde	82 mm
Afhøvlingsdybde	2 mm
Falsningsdybde	9 mm
Hastighed uden belastning	16.000 min <sup>-1</sup>
Længde i alt	285 mm
Nettovægt	2,8 - 2,9 kg
Sikkerhedsklasse	▣/II

- På grund af vores kontinuerlige forsknings- og udviklingsprogrammer kan hosstående specifikationer blive ændret uden varsel.
- Specifikationer kan variere fra land til land.
- Vægten kan være anderledes afhængigt af tilbehøret. Den letteste og tungeste kombination i henhold til EPTA-procedure 01/2014 er vist i tabellen.

### Tilsigtet anvendelse

Maskinen er beregnet til afhøvling af træ.

### Strømforsyning

Maskinen må kun tilsluttes en strømforsyning med samme spænding som angivet på typeskiltet og kan kun anvendes på enfaset vekselstrømforsyning. Den er dobbeltisoleret og kan derfor også tilsluttes netstik uden jordforbindelse.

### Lyd

Det typiske A-vægtede støjniveau bestemt i overensstemmelse med EN62841-2-14:  
 Lydtryksniveau ( $L_{pA}$ ): 88 dB (A)  
 Lydeffektniveau ( $L_{WA}$ ): 96 dB (A)  
 Usikkerhed (K): 3 dB (A)

**BEMÆRK:** De(n) angivne støjemissionsværdi(er) er målt i overensstemmelse med en standardtestmetode og kan anvendes til at sammenligne en maskine med en anden.

**BEMÆRK:** De(n) angivne støjemissionsværdi(er) kan også anvendes i en præliminær eksponeringsvurdering.

**⚠ ADVARSEL:** Bær høreværn.

**⚠ ADVARSEL:** Støjemissionen under den faktiske anvendelse af maskinen kan være forskellig fra de(n) angivne værdi(er), afhængigt af den måde hvorpå maskinen anvendes, især den type arbejdsemne der behandles.

**⚠ ADVARSEL:** Sørg for at identificere de sikkerhedsforskrifter til beskyttelse af operatøren, som er baseret på en vurdering af eksponering under de faktiske brugsforhold (med hensyntagen til alle dele i brugscyklussen, f.eks. de gange, hvor maskinen er slukket, og når den kører i tomgang i tilgift til afbrydertiden).

### Vibration

Vibrationens totalværdi (tre-aksial vektorsum) bestemt i overensstemmelse med EN62841-2-14:  
 Arbejdstilstand: overfladeslibning  
 Vibrationsemission ( $a_h$ ): 3,5 m/s<sup>2</sup>  
 Usikkerhed (K): 1,5 m/s<sup>2</sup>

**BEMÆRK:** De(n) angivne totalværdi(er) for vibration er målt i overensstemmelse med en standardtestmetode og kan anvendes til at sammenligne en maskine med en anden.

**BEMÆRK:** De(n) angivne totalværdi(er) for vibration kan også anvendes i en præliminær eksponeringsvurdering.

**⚠ ADVARSEL:** Vibrationsemissionen under den faktiske anvendelse af maskinen kan være forskellig fra de(n) angivne værdi(er), afhængigt af den måde hvorpå maskinen anvendes, især den type arbejdsemne der behandles.

**⚠ ADVARSEL:** Sørg for at identificere de sikkerhedsforskrifter til beskyttelse af operatøren, som er baseret på en vurdering af eksponering under de faktiske brugsforhold (med hensyntagen til alle dele i brugscyklussen, f.eks. de gange, hvor maskinen er slukket, og når den kører i tomgang i tilgift til afbrydertiden).

### Overensstemmelseserklæringer

#### Kun for lande i Europa

Overensstemmelseserklæringerne er inkluderet i Bilag A i denne brugsanvisning.

# SIKKERHEDSADVARSLER

## Almindelige sikkerhedsregler for el-værktøj

**⚠ ADVARSEL:** Læs alle de sikkerhedsadvarsler, instruktioner, illustrationer og specifikationer, der følger med denne maskine. Forsømmelse af at overholde alle nedenstående instruktioner kan medføre elektrisk stød, brand og/eller alvorlig personskade.

## Gem alle advarsler og instruktioner til fremtidig reference.

Ordet "el-værktøj" i advarslerne henviser til det netforsyede (netledning) el-værktøj eller batteriforsyede (akku) el-værktøj.

## Sikkerhedsadvarsler for høvlemaskine

1. **Vent, til skærehovedet er stoppet, før du sætter maskinen fra dig.** Et blottet roterende skærehoved kan gribe fat i overfladen og forårsage risiko for tab af kontrollen og alvorlig personskade.
2. **Hold maskinen i de isolerede gribeblæder, da skærehovedet kan komme i kontakt med sin egen ledning.** Hvis der skæres i en strømførende ledning, kan udsatte metaldele på maskinen også blive strømførende, hvorved operatøren kan få elektrisk stød.
3. **Brug skruetvinger eller en anden praktisk måde til at fastgøre og understøtte arbejdsemnet til en stabil platform.** Hvis arbejdsemnet holdes i hånden eller mod kroppen, bliver det ustabil, hvilket kan medføre, at du mister kontrollen.
4. **Klude, tøj, ledninger, snore og lignende må aldrig ligge og flyde i arbejdsområdet.**
5. **Undgå at skære i søm. Se efter og fjern alle søm fra arbejdsemnet, før arbejdet påbegyndes.**
6. **Brug kun skarpe blade. Håndter bladene yderst forsigtigt.**
7. **Sørg for, at boltene til montering af bladet er strammet forsvarligt før brugen.**
8. **Hold godt fast i maskinen med begge hænder.**
9. **Hold hænderne på afstand af roterende dele.**
10. **Lad maskinen køre et stykke tid, før den anvendes på et egentligt arbejdsemne. Se efter vibration eller rysten, der kan tyde på forkert montering eller et dårligt afbalanceret blad.**
11. **Kontroller, at bladet ikke er i kontakt med arbejdsemnet, før der tændes ved afbryderen.**
12. **Vent, til bladet når fuld hastighed, før der skæres.**
13. **Sluk altid, og vent, til bladene er helt stoppet, før der udføres nogen form for justering.**
14. **Stik aldrig fingeren ind i spånenden. Renden kan blive tilstoppet, når der skæres i fugtigt træ. Fjern spånerne med en pind.**
15. **Lad ikke maskinen ligge og køre. Brug kun maskinen, når den holdes i hænderne.**
16. **Skift altid begge blade eller dæksler på tromlen, da den deraf følgende ubalance ellers kan forårsage vibration og forkorte maskinens levetid.**
17. **Brug kun de Makita blade, der er angivet i denne manual.**

18. **Anvend altid korrekt støvmaske/åndedrætsværn til det materiale og den anvendelse, du arbejder med.**

## GEM DENNE BRUGSANVISNING.

**⚠ ADVARSEL:** LAD IKKE bekvemmelighed eller kendskab til produktet (opnået gennem gentagen brug) forhindre, at sikkerhedsforskrifterne for produktet nøje overholdes.

**MISBRUG** eller forsømmelse af at følge de i denne brugsvejledning givne sikkerhedsforskrifter kan føre til, at De kommer alvorligt til skade.

## FUNKTIONSBESKRIVELSE

**⚠ FORSIGTIG:** Kontrollér altid, at maskinen er slået fra, og at netstikket er trukket ud, før der udføres justeringer, eller funktioner kontrolleres på maskinen.

## Justering af skæredybden

► **Fig.1:** 1. Markør 2. Knop

Skæredybden kan justeres ved blot at dreje knoppen foran på maskinen, så markøren peger på den ønskede skæredybde.

## Afbryderfunktion

► **Fig.2:** 1. Afbryderknop 2. Låseknop eller lås fra-knap

**⚠ FORSIGTIG:** Før maskinen sættes i stikkontakten, skal De altid kontrollere, at afbryderknappen fungerer korrekt og returnerer til "OFF"-positionen, når den slippes.

## For maskiner med låseknop

**⚠ FORSIGTIG:** Afbryderen kan fastlåses i "ON"-stillingen for større komfort for operatøren ved brug i længere tid. Vær forsigtig, når maskinen låses i "ON"-stillingen, og hold godt fast i værktøjet.

Maskinen startes ved blot at trykke på afbryderknappen. Slip afbryderknappen for at stoppe. For kontinuerlig brug skal du trykke på afbryderknappen og derefter trykke låseknappen ind. For at stoppe maskinen fra låst position skal du trykke afbryderknappen helt ind og derefter slippe den.

## For maskiner med lås fra-knap

For at forhindre, at der trykkes på afbryderknappen ved et uheld, er der monteret en lås fra-knap. Maskinen startes ved at trykke lås fra-knappen ned og trykke på afbryderknappen. Slip afbryderknappen for at stoppe.

**⚠ FORSIGTIG:** Tryk ikke på afbryderknappen uden at trykke lås fra-knappen ned. Afbryderen kan gå i stykker, hvis du gør det.

## Fod

► **Fig.3:** 1. Høvlblad 2. Bagplade 3. Fod

Efter en skæring løftes bagsiden af maskinen, så foden kommer ud af bagpladen. Dette forebygger beskadigelse af høvlbladene.

## SAMLING

**⚠FORSIGTIG:** Sørg altid for, at maskinen er slukket og taget ud af forbindelse, inden der udføres nogen form for arbejde på maskinen.

## Afmontering eller montering af høvlblade

**⚠FORSIGTIG:** Stram omhyggeligt boltene til montering af bladet ved montering af høvlbladene på maskinen. En løs monteringsbolt kan være farlig. Kontroller altid, at de er strammet forsvarligt.

**⚠FORSIGTIG:** Håndter høvlbladene yderst forsigtigt. Brug handsker eller klude til at beskytte fingrene eller hænderne ved afmontering eller montering af bladene.

**⚠FORSIGTIG:** Brug kun den medfølgende Makita nøgle til at afmontere eller montere høvlbladene. Hvis du ikke gør dette, kan det medføre overstramning eller manglende stramning af monteringsboltene. Dette kan medføre personskaade.

## For maskiner med konventionelle høvlblade

For at afmontere høvlbladene på tromlen skal du skrue monteringsboltene af med topnøglen. Tromledækslet går af sammen med bladene.

► **Fig.4:** 1. Topnøgle 2. Bolte

► **Fig.5:** 1. Bolte 2. Tromle 3. Høvlblad  
4. Tromledæksel 5. Justeringsplade 6. Rille

Benyt følgende fremgangsmåde for at montere høvlbladene.

1. Fjern alle spåner eller fremmedlegemer, der sidder på tromlen og høvlbladene.
  2. Vælg høvlblade med samme dimensioner og vægt. Ellers vil det medføre udsving/vibration af tromlen, hvilket forårsager dårlig afhøvling og i sidste ende, at maskinen går i stykker.
  3. Brug bladmåleren til at indstille høvlbladene korrekt. Placer høvlbladet på målerfoden. Sæt den skarpe æg af bladet mod den indvendige flanke på målerpladen.
- **Fig.6:** 1. Indvendig flanke på målerplade 2. Bladæg  
3. Høvlblad 4. Justeringsplade 5. Skrue  
6. Hæl 7. Bagside af målerfod 8. Målerplade  
9. Målerfod

4. Placer justeringspladen på høvlbladet. Tryk på justeringspladen, så hælen flugter med bagsiden af målerfoden. Stram to skrue på justeringspladen.

5. Tryk hælen på justeringspladen ind i rillen på tromlen, og monter derefter tromledækslet på den.
6. Stram alle monteringsboltene ligeligt og på skift med topnøglen.
7. Gentag ovenstående fremgangsmåde for det andet blad.

## For maskiner med minihøvlblade

Benyt følgende fremgangsmåde for at udskifte minihøvlbladene.

1. Rengør omhyggeligt tromlens overflader og tromledækslet.
  2. Løsn de tre monteringsbolte med topnøglen. Fjern tromledækslet, justeringspladen, støttepladen og minihøvlbladet.
- **Fig.7:** 1. Topnøgle 2. Bolte

3. Brug bladmåleren til at indstille høvlbladene korrekt. Placer minihøvlbladet på målerfoden. Sæt den skarpe æg af bladet mod den indvendige flanke på målerpladen.

► **Fig.8:** 1. Skrue 2. Justeringsplade  
3. Placeringsører til høvlblad 4. Målerplade  
5. Hæl på justeringsplade 6. Støtteplade  
7. Indvendig flanke på målerplade  
8. Målerfod 9. Bagside af målerfod  
10. Minihøvlblad

4. Fastgør justeringspladen løst på støttepladen ved hjælp af skrueene. Placer justeringspladen og støttepladen på målerfoden. Sæt placeringsørerne til høvlbladet på støttepladen i rillen på minihøvlbladet.

5. Tryk hælen på justeringspladen mod bagsiden af målerfoden, og stram skrueene. Kontroller justeringerne omhyggeligt for at sikre ligelig skæring.

6. Tryk hælen på justeringspladen ind i rillen på tromlen.

7. Placer tromledækslet på støttepladen, og monter dem løst på tromlen ved hjælp af de tre bolte. Tryk minihøvlbladet ind i mellemrummet mellem tromlen og støttepladen. Kontroller, at placeringsørerne til høvlbladet på støttepladen passer i rillen på minihøvlbladet.

► **Fig.9:** 1. Minihøvlblad 2. Rille 3. Støtteplade  
4. Bolte 5. Tromledæksel 6. Tromle  
7. Justeringsplade

8. Juster minihøvlbladets placering i længden, så bladets ender er fri og sidder i samme afstand fra huset på den ene side og metalbeslaget på den anden.
9. Stram de tre bolte med den medfølgende topnøgle, og drej tromlen for at kontrollere frigangen mellem enderne af bladet og maskinens karosseri.
10. Kontroller de tre bolte for endelig tilspænding.
11. Gentag ovenstående fremgangsmåde for det andet blad.

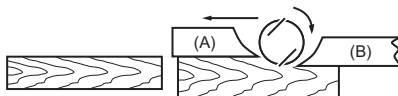
## For korrekt indstilling af høvlblad

Din høvlede flade bliver rå og ujævn, hvis høvlbladet ikke er monteret korrekt og sikkert. Høvlbladet skal være monteret, så den skærende æg er fuldstændigt jævn, dvs. parallel med overfladen på bagpladen. Se eksemplerne nedenfor for korrekte og forkerte indstillinger.

(A) Forplade (flytbar sko)

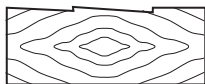
(B) Bagplade (stationær sko)

Korrekt indstilling



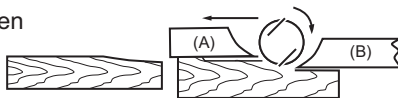
Det ses ikke på denne visning fra siden, men kanterne af bladene løber helt parallelt i forhold til bagpladens overflade.

Hakker i overflade



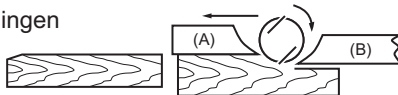
Årsag: Æggen på et eller flere blade løber ikke parallelt i forhold til bagpladens linje.

Udhuling ved starten



Årsag: En eller flere bladægge stikker ikke tilstrækkelig langt ud i forhold til bagpladens linje.

Udhuling ved slutningen



Årsag: En eller flere bladægge stikker for langt ud i forhold til bagpladens linje.

## Tilslutning af en støvsuger

**BEMÆRK:** I nogle lande er dysen muligvis ikke inkluderet i værktøjspakken som standardtilbehør.

► Fig.10

## For maskiner med dyse

Slut en støvsugerslange til dysen.

## For maskiner uden dyse

1. Fjern spåndækslet fra maskinen.
2. Monter dysen på maskinen ved hjælp af skrueerne.
3. Slut en støvsugerslange til dysen.

## Rengøring af dyse

Rengør dysen regelmæssigt. Brug komprimeret luft til at rengøre den tilstoppede dyse.

## ANVENDELSE

**⚠ ADVARSEL:** Udstyret må ikke betjenes uden at dysen eller spåndækslet er på plads for at reducere risikoen for personskade.

Hold godt fast i maskinen med den ene hånd på knoppen og den anden hånd på kontakthåndtaget, når maskinen kører.

## Afhøvling

► Fig.11: 1. Start 2. Slut

Sæt maskinens forplade fladt mod arbejdsemnets overflade, uden at høvlbladene har kontakt med arbejdsemnet. Tænd, og vent, indtil bladene når fuld hastighed. Flyt derefter maskinen forsigtigt fremad med jævn hastighed. Tryk på forenden af maskinen ved starten af afhøvlingen og på enden ved afslutningen af afhøvlingen.

Hastigheden og skæredybden bestemmer det færdige resultat. For at opnå en god overfladefinish skal du afhøvle dybt, indtil du nærmer dig den ønskede dybde og derefter afhøvle tyndt og langsomt for det sidste snit.

## Falsning (profilering)

► Fig.12

Hvis du vil foretage et trinvist snit som vist i figuren, skal du bruge kantstyret (styrepinden).

Tegn en skærelinje på arbejdsemnet. Sæt kantstyret i hullet foran på maskinen. Juster bladæggen i forhold til skærelinjen.

► Fig.13: 1. Bladæg 2. Skærelinje

Juster kantstyret, indtil det berører siden af arbejdsemnet, og fastgør det ved at stramme skruen.

► Fig.14: 1. Skru 2. Kantstyr

Under afhøvling flyttes maskinen, idet kantstyret flugter med siden af arbejdsemnet. Ellers kan det medføre ujævn afhøvling.

### ► Fig.15

Den maksimale falsningsdybde (profileringsdybde) er 9 mm.

Du vil muligvis ønske at forlænge styret ved at montere et ekstra stykke træ. Der er praktiske huller i styret til dette formål samt til at montere et forlængerstyr (ekstraudstyr).

### ► Fig.16

**BEMÆRK:** Udformningen af styrepinden er forskellig fra land til land. I nogle lande medfølger styrepinden ikke som standardudstyr.

## Affasning

### ► Fig.17

### ► Fig.18

Hvis du vil foretage et affasningsnit som vist i figuren, skal du justere "V"-rillen i forpladen med kanten af arbejdsemnet og afhøvle det.

## VEDLIGEHODELSE

**⚠FORSIGTIG:** Kontrollér altid, at der er slukket for maskinen, og at netstikket er trukket ud, før der udføres eftersyn eller vedligeholdelse.

**⚠FORSIGTIG:** Anvend aldrig benzin, rensebenzin, fortynder, alkohol og lignende. Det kan medføre misfarvning, deformation eller revner.

## Slibning af høvlbladene

### *Kun for konventionelle høvlblade*

Hold altid dine høvlblade skarpe for at opnå den bedst mulige ydelse. Brug slibningsholderen (ekstraudstyr) til at fjerne hakker og give en god æg.

### ► Fig.19: 1. Slibningsholder

Løsn først de to vingemøtrikker på holderen, og indsæt høvlbladene (A) og (B), så de berører siderne (C) og (D). Stram derefter vingemøtrikkerne.

### ► Fig.20: 1. Vingemøtrik 2. Høvlblad (A) 3. Høvlblad (B) 4. Side (D) 5. Side (C)

Læg slibestenen i vand i 2 til 3 minutter før slibningen. Hold holderen, så begge bladene er i kontakt med slibestenen, så de samtidigt slibes i den samme vinkel.

### ► Fig.21

## Udskiftning af kulbørster

### ► Fig.22: 1. Slidgrænse

Afmonter og kontroller regelmæssigt kulbørsterne. Udskift dem, når de slides ned til under grænsemærket. Hold kulbørsterne rene og fri til at glide i holderne. Begge kulbørsterne skal udskiftes samtidig. Brug kun ens kulbørster.

Brug en skruetrækker til at fjerne spåndækslet eller dysen.

### ► Fig.23: 1. Spåndæksel eller dyse 2. Skruetrækker

Benyt en skruetrækker til at afmontere kulholderdækslerne.

Tag de slidte kulbørster ud, isæt de nye, og fastgør derefter kulholderdækslerne.

### ► Fig.24: 1. Kulholderdæksel 2. Skruetrækker

For at opretholde produktets SIKKERHED og PÅLIDELIGHED må reparation, vedligeholdelse eller justering kun udføres af et autoriseret Makita servicecenter eller fabrikkervicecenter med anvendelse af Makita reservedele.



## ΠΡΟΔΙΑΓΡΑΦΕΣ

<b>Μοντέλο:</b>	<b>M1901</b>
Πλάτος πλανίσματος	82 mm
Βάθος πλανίσματος	2 mm
Βάθος δημιουργίας αυλακιών	9 mm
Ταχύτητα χωρίς φορτίο	16.000 min <sup>-1</sup>
Ολικό μήκος	285 mm
Καθαρό βάρος	2,8 - 2,9 kg
Κατηγορία ασφάλειας	□/II

- Λόγω του συνεχόμενου προγράμματος που εφαρμόζουμε για έρευνα και ανάπτυξη, τα τεχνικά χαρακτηριστικά στο παρόν έντυπο υπόκεινται σε αλλαγή χωρίς προειδοποίηση.
- Τα τεχνικά χαρακτηριστικά μπορεί να διαφέρουν από χώρα σε χώρα.
- Το βάρος μπορεί να διαφέρει ανάλογα με το(α) εξάρτημα(τα). Ο ελαφρύτερος και βαρύτερος συνδυασμός, σύμφωνα με τη διαδικασία ΕΡΤΑ 01/2014, απεικονίζονται στον πίνακα.

### Προοριζόμενη χρήση

Το εργαλείο προορίζεται για το πλάνισμα ξύλου.

### Ηλεκτρική παροχή

Το εργαλείο πρέπει να συνδέεται μόνο με ηλεκτρική παροχή της ίδιας τάσης με αυτή που αναγράφεται στην πινακίδα ονομαστικών τιμών και μπορεί να λειτουργήσει μόνο με εναλλασσόμενο μονοφασικό ρεύμα. Υπάρχει διπλή μόνωση και κατά συνέπεια, μπορεί να γίνει σύνδεση σε ακροδέκτες χωρίς σύρμα γείωσης.

### Θόρυβος

Το τυπικό Α επίπεδο καταμετρημένου θορύβου καθορίζεται σύμφωνα με το EN62841-2-14:  
 Στάθμη ηχητικής πίεσης (L<sub>pA</sub>): 88 dB (A)  
 Στάθμη ηχητικής ισχύος (L<sub>WA</sub>): 96 dB (A)  
 Αβεβαιότητα (K): 3 dB (A)

**ΠΑΡΑΤΗΡΗΣΗ:** Η δηλωμένη τιμή(ές) εκπομπής θορύβου έχει μετρηθεί σύμφωνα με την πρότυπη μέθοδο δοκιμής και μπορεί να χρησιμοποιηθεί για τη σύγκριση ενός εργαλείου με κάποιο άλλο.

**ΠΑΡΑΤΗΡΗΣΗ:** Η δηλωμένη τιμή(ές) εκπομπής θορύβου μπορεί να χρησιμοποιηθεί και στην προκαταρκτική αξιολόγηση της έκθεσης.

**▲ ΠΡΟΕΙΔΟΠΟΙΗΣΗ:** Να φοράτε ωτοασπίδες.

**▲ ΠΡΟΕΙΔΟΠΟΙΗΣΗ:** Η εκπομπή θορύβου κατά τη χρήση του ηλεκτρικού εργαλείου σε πραγματικές συνθήκες μπορεί να διαφέρει από τη δηλωμένη τιμή(ές) ανάλογα με τους τρόπους χρήσης του εργαλείου, ιδιαίτερα το είδος του τεμαχίου εργασίας που υπόκειται επεξεργασία.

**▲ ΠΡΟΕΙΔΟΠΟΙΗΣΗ:** Φροντίστε να λάβετε τα κατάλληλα μέτρα προστασίας του χειριστή βάσει ενός υπολογισμού της έκθεσης σε πραγματικές συνθήκες χρήσης (λαμβάνοντας υπόψη όλες τις συνιστώσες του κύκλου λειτουργίας όπως τους χρόνους που το εργαλείο είναι εκτός λειτουργίας και όταν βρίσκεται σε αδρανή λειτουργία πέραν του χρόνου ενεργοποίησης).

### Κραδασμός

Η ολική τιμή δόνησης (άθροισμα τρι-αξονικού διανύσματος) καθορίζεται σύμφωνα με το EN62841-2-14:  
 Είδος εργασίας: Λείανση επιφανείας  
 Εκπομπή δόνησης (a<sub>h</sub>): 3,5 m/s<sup>2</sup>  
 Αβεβαιότητα (K): 1,5 m/s<sup>2</sup>

**ΠΑΡΑΤΗΡΗΣΗ:** Η δηλωμένη τιμή(ές) συνολικών κραδασμών έχει μετρηθεί σύμφωνα με την πρότυπη μέθοδο δοκιμής και μπορεί να χρησιμοποιηθεί για τη σύγκριση ενός εργαλείου με κάποιο άλλο.

**ΠΑΡΑΤΗΡΗΣΗ:** Η δηλωμένη τιμή(ές) συνολικών κραδασμών μπορεί να χρησιμοποιηθεί και στην προκαταρκτική αξιολόγηση της έκθεσης.

**▲ ΠΡΟΕΙΔΟΠΟΙΗΣΗ:** Η εκπομπή κραδασμών κατά τη χρήση του ηλεκτρικού εργαλείου σε πραγματικές συνθήκες μπορεί να διαφέρει από τη δηλωμένη τιμή(ές) εκπομπής ανάλογα με τους τρόπους χρήσης του εργαλείου, ιδιαίτερα το είδος του τεμαχίου εργασίας που υπόκειται επεξεργασία.

**▲ ΠΡΟΕΙΔΟΠΟΙΗΣΗ:** Φροντίστε να λάβετε τα κατάλληλα μέτρα προστασίας του χειριστή βάσει ενός υπολογισμού της έκθεσης σε πραγματικές συνθήκες χρήσης (λαμβάνοντας υπόψη όλες τις συνιστώσες του κύκλου λειτουργίας όπως τους χρόνους που το εργαλείο είναι εκτός λειτουργίας και όταν βρίσκεται σε αδρανή λειτουργία πέραν του χρόνου ενεργοποίησης).

### Δήλωση Συμμόρφωσης

*Μόνο για χώρες της Ευρώπης*

Οι Δηλώσεις Συμμόρφωσης περιλαμβάνονται στο Παράρτημα Α στο παρόν εγχειρίδιο οδηγιών.

# ΠΡΟΕΙΔΟΠΟΙΗΣΕΙΣ ΑΣΦΑΛΕΙΑΣ

## Γενικές προειδοποιήσεις ασφαλείας για το ηλεκτρικό εργαλείο

**▲ ΠΡΟΕΙΔΟΠΟΙΗΣΗ:** Διαβάστε όλες τις προειδοποιήσεις ασφαλείας, οδηγίες, εικονογραφημένες και προδιαγραφές που παρέχονται με αυτό το ηλεκτρικό εργαλείο. Η μη τήρηση όλων των οδηγιών που αναγράφονται κατωτέρω μπορεί να καταλήξει σε ηλεκτροπληξία, πυρκαγιά ή/και σοβαρό τραυματισμό.

## Φυλάξτε όλες τις προειδοποιήσεις και τις οδηγίες για μελλοντική παραπομπή.

Στις προειδοποιήσεις, ο όρος «ηλεκτρικό εργαλείο» αναφέρεται σε ηλεκτρικό εργαλείο που τροφοδοτείται από την κύρια παροχή ηλεκτρικού ρεύματος (με ηλεκτρικό καλώδιο) ή σε ηλεκτρικό εργαλείο που τροφοδοτείται από μπαταρία (χωρίς ηλεκτρικό καλώδιο).

## Προειδοποιήσεις ασφαλείας για την πλάνη

1. Περιμένετε να σταματήσει ο κόπτης πριν αφήσετε κάτω το εργαλείο. Αν ο κόπτης είναι εκτεθειμένος μπορεί να πιαστεί στην επιφάνεια με αποτέλεσμα πιθανή απώλεια του ελέγχου και σοβαρό τραυματισμό.
2. Κρατάτε το ηλεκτρικό εργαλείο από τις μονωμένες επιφάνειες λαβής επειδή ο κόπτης μπορεί να έρθει σε επαφή με το δικό του καλώδιο. Σε περίπτωση που κοπεί ένα ηλεκτροφόρο καλώδιο, ενδέχεται να εκτεθειμένα μεταλλικά εξαρτήματα του ηλεκτρικού εργαλείου να καταστούν τα ίδια ηλεκτροφόρα και να προκαλέσουν ηλεκτροπληξία στον χειριστή.
3. Να χρησιμοποιείτε σφιγκτήρες ή κάποιο άλλο πρακτικό μέσο για να ασφαλίσετε και να στηρίζετε το τεμάχιο εργασίας σε μια σταθερή πλατφόρμα. Αν κρατάτε το τεμάχιο εργασίας με το χέρι σας ή επάνω στο σώμα σας, αυτό θα είναι ασταθές και μπορεί να χάσετε τον έλεγχο.
4. Δεν πρέπει να αφήνετε ποτέ κουρέλια, πανιά, νήματα, σκοινιά και παρόμοια αντικείμενα γύρω από την περιοχή εργασίας.
5. Να αποφεύγετε την κοπή καρφιών. Πριν από τη λειτουργία, να ελέγχετε αν υπάρχουν καρφιά στο τεμάχιο εργασίας και να τα αφαιρείτε όλα αν υπάρχουν.
6. Να χρησιμοποιείτε μόνο αιχμηρές λάμες. Να χειρίζεστε τις λάμες πολύ προσεκτικά.
7. Βεβαιωθείτε ότι τα μπουλόνια τοποθέτησης λάμας είναι καλά σφιγμένα πριν από τη λειτουργία.
8. Κρατήστε το εργαλείο σταθερά με τα δύο χέρια.
9. Μην πλησιάζετε τα χέρια σας σε περιστρεφόμενα μέρη.

10. Πριν από τη χρήση του εργαλείου πάνω σε πραγματικό τεμάχιο εργασίας, αφήστε το σε λειτουργία για λίγο. Να προσέχετε για δονήσεις ή κινήσεις που θα μπορούσαν να υποδείξουν κακή τοποθέτηση ή κακή ισορροπηση της λάμας.
11. Να βεβαιώνεστε ότι η λάμα δεν ακουμπάει το τεμάχιο εργασίας πριν ενεργοποιείτε το διακόπτη λειτουργίας.
12. Περιμένετε έως ότου η λάμα φτάσει στην πλήρη ταχύτητα της πριν κόψετε.
13. Πριν από οποιαδήποτε ρύθμιση, πάντοτε να σβήνετε το εργαλείο και να περιμένετε να σταματήσουν να κινούνται εντελώς οι λάμες.
14. Μην βάζετε ποτέ το δάκτυλό σας κοντά στο στόμιο θραυσμάτων. Το στόμιο μπορεί να φράξει όταν κόβετε νωπό ξύλο. Καθαρίστε τα θραύσματα με μια ξυλίνη ράβδο.
15. Μην αφήνετε το εργαλείο σε λειτουργία. Να χειρίζεστε το εργαλείο μόνο όταν το κρατάτε με τα χέρια σας.
16. Να αλλάζετε πάντα και τις δύο λάμες ή καλύμματα στο τύμπανο, διαφορετικά η προκύπτουσα αστάθεια θα προκαλέσει δόνηση και συντόμευση της ζωής του εργαλείου.
17. Να χρησιμοποιείτε μόνο λάμες της Makita που υποδεικνύονται σε αυτό το εγχειρίδιο.
18. Να χρησιμοποιείτε πάντοτε προσωπίδα κατά της σκόνης ή αναπνευστήρα που είναι κατάλληλος για το υλικό και την εφαρμογή σας.

## ΦΥΛΑΞΤΕ ΤΙΣ ΟΔΗΓΙΕΣ ΑΥΤΕΣ.

**▲ ΠΡΟΕΙΔΟΠΟΙΗΣΗ:** ΜΗΝ επιτρέψετε στην άνεση ή στην εξοικειώσή σας με το προϊόν (που αποκτήθηκε από επανειλημμένη χρήση) να αντικαταστήσει την αυστηρή τήρηση των κανόνων ασφαλείας του παρόντος εργαλείου.

Η ΛΑΝΘΑΣΜΕΝΗ ΧΡΗΣΗ ή η αμέλεια να ακολουθήσετε τους κανόνες ασφαλείας που διατυπώνονται στο παρόν εγχειρίδιο οδηγιών μπορεί να προκαλέσει σοβαρό προσωπικό τραυματισμό.

## ΠΕΡΙΓΡΑΦΗ ΛΕΙΤΟΥΡΓΙΑΣ

**ΠΡΟΣΟΧΗ:** Να βεβαιώνετε πάντα ότι το εργαλείο είναι σβηστό και αποσυνδεδεμένο από την ηλεκτρική παροχή πριν ρυθμίσετε ή ελέγχετε κάποια λειτουργία του.

### Ρύθμιση του βάθους κοπής

► **Εικ.1:** 1. Δείκτης 2. Λαβή

Το βάθος κοπής μπορεί να ρυθμιστεί αν περιστρέψετε απλά τη λαβή που βρίσκεται στο μπροστινό μέρος του εργαλείου ώστε ο δείκτης να είναι στραμμένος στο επιθυμητό βάθος κοπής.

### Δράση διακόπτη

► **Εικ.2:** 1. Σκανδάλη-διακόπτης 2. Κουμπί ασφάλισης ή κουμπί κλειδώματος

**ΠΡΟΣΟΧΗ:** Πριν από τη σύνδεση του εργαλείου στην ηλεκτρική παροχή, να ελέγχετε πάντα ότι η σκανδάλη διακόπτης ενεργοποιείται σωστά και επιστρέφει στη θέση «OFF» όταν την αφήνετε.

### Για εργαλείο με κουμπί ασφάλισης

**ΠΡΟΣΟΧΗ:** Ο διακόπτης μπορεί να ασφαλιστεί στη θέση «ENERGO» για πιο άνετη λειτουργία από τον χρήστη κατά τη διάρκεια παρατεταμένης χρήσης. Να είστε προσεκτικοί όταν ασφαλίσετε το εργαλείο στη θέση «ENERGO» και να κρατάτε καλά το εργαλείο.

Για να ξεκινήσετε το εργαλείο, απλώς τραβήξτε τη σκανδάλη-διακόπτη. Ελευθερώστε τη σκανδάλη-διακόπτη για να σταματήσει.

Για συνεχόμενη λειτουργία, τραβήξτε τη σκανδάλη-διακόπτη και κατόπιν πατήστε το κουμπί ασφάλισης.

Για να βγάλετε το εργαλείο από την κλειδωμένη θέση, τραβήξτε πλήρως τη σκανδάλη διακόπτη και κατόπιν αφήστε την.

### Για εργαλείο με κουμπί κλειδώματος

Για να μην πιεστεί κατά λάθος η σκανδάλη-διακόπτης, παρέχεται ένα κουμπί κλειδώματος.

Για να ξεκινήσετε τη λειτουργία του εργαλείου, πατήστε το κουμπί κλειδώματος και τραβήξτε τη σκανδάλη-διακόπτη. Ελευθερώστε τη σκανδάλη-διακόπτη για να σταματήσει.

**ΠΡΟΣΟΧΗ:** Μην τραβάτε τη σκανδάλη-διακόπτη με βία χωρίς να πατάτε το κουμπί κλειδώματος. Μπορεί να σπάσει ο διακόπτης.

## Στήριγμα

► **Εικ.3:** 1. Λάμα πλάνης 2. Πίσω βάση 3. Στήριγμα  
Μετά από μια εργασία κοπής, ανυψώστε την πίσω πλευρά του εργαλείου για να εμφανιστεί ένα στήριγμα κάτω από την πίσω βάση. Αυτό αποτρέπει την πρόκληση βλάβης στις λάμες της πλάνης.

## ΣΥΝΑΡΜΟΛΟΓΗΣΗ

**ΠΡΟΣΟΧΗ:** Να βεβαιώνετε πάντα ότι το εργαλείο είναι σβηστό και αποσυνδεδεμένο από την ηλεκτρική παροχή πριν εκτελέσετε οποιαδήποτε εργασία σε αυτό.

### Αφαίρεση ή τοποθέτηση των λαμών της πλάνης

**ΠΡΟΣΟΧΗ:** Σφίξτε προσεκτικά τα μπουλόνια τοποθέτησης της λάμας όταν συνδέετε τις λάμες της πλάνης στο εργαλείο. Ένα χαλαρά τοποθετημένο μπουλόνι μπορεί να είναι επικίνδυνο. Να ελέγχετε πάντα αν αυτά είναι σφιγμένα με ασφάλεια.

**ΠΡΟΣΟΧΗ:** Να χειρίζεστε τις λάμες της πλάνης πολύ προσεκτικά. Χρησιμοποιήστε γάντια ή κουρέλια για να προστατεύσετε τα δάκτυλα ή τα χέρια σας όταν αφαιρείτε ή τοποθετείτε τις λάμες.

**ΠΡΟΣΟΧΗ:** Να χρησιμοποιείτε μόνο το παρεχόμενο άλεν της Makita για να τοποθετήσετε ή να αφαιρέσετε τις λάμες της πλάνης. Αν δεν το κάνετε αυτό, μπορεί να έχει ως αποτέλεσμα υπερβολικό ή ανεπαρκές σφίξιμο των μπουλονιών τοποθέτησης. Αυτό μπορεί να προκαλέσει τραυματισμό.

### Για εργαλείο με συμβατικές λάμες πλάνης

Για να αφαιρέσετε τις λάμες της πλάνης στο τύμπανο, ξεβιδώστε τα μπουλόνια τοποθέτησης με το κίλο κλειδί. Το κάλυμμα τυμπάνου βγαίνει έξω μαζί με τις λάμες.

► **Εικ.4:** 1. Κίλο κλειδί 2. Μπουλόνια

► **Εικ.5:** 1. Μπουλόνια 2. Τύμπανο 3. Λάμα πλάνης 4. Κάλυμμα τυμπάνου 5. Πλάκα ρύθμισης 6. Αυλάκωση

Για να τοποθετήσετε τις λάμες της πλάνης, εκτελέστε την ακόλουθη διαδικασία.

1. Καθαρίστε όλα τα θραύσματα και τα ξένα σώματα που έχουν προσκολληθεί στο τύμπανο και στις λάμες της πλάνης.
2. Να επιλέγετε λάμες πλάνης των ιδίων διαστάσεων και του ίδιου βάρους. Ειδικά θα προκληθούν κραδασμοί/δονήσεις τυμπάνου, που θα έχουν ως αποτέλεσμα κακή δράση της πλάνης και τελικά βλάβη λειτουργίας του εργαλείου.

**3.** Χρησιμοποιήστε τον μετρητή λάμας για να ρυθμίσετε σωστά τις λάμες της πλάνης. Τοποθετήστε τη λάμα της πλάνης στη βάση του μετρητή. Τοποθετήστε το άκρο κοπής της λάμας στην εσωτερική πλευρά της πλάκας μετρητή.

► **Εικ.6:** 1. Εσωτερική πλευρά της πλάκας μετρητή 2. Άκρο λάμας 3. Λάμα πλάνης 4. Πλάκα ρύθμισης 5. Βίδες 6. Τακούι 7. Πίσω πλευρά της βάσης μετρητή 8. Πλάκα μετρητή 9. Βάση μετρητή

**4.** Τοποθετήστε την πλάκα ρύθμισης στη λάμα πλάνης. Πιέστε την πλάκα ρύθμισης ώστε το τακούι να είναι ευθυγραμμισμένο με την πίσω πλευρά της βάσης μετρητή. Σφίξτε τις δύο βίδες στην πλάκα ρύθμισης.

**5.** Σύρετε το τακούι της πλάκας ρύθμισης μέσα στην αυλάκωση του τυμπάνου και εφαρμόστε το κάλυμμα τυμπάνου από πάνω.

**6.** Σφίξτε όλα τα μπουλόνια τοποθέτησης ισοδύναμα και εναλλακτικά με το κοίλο κλειδί.

**7.** Επαναλάβετε την παραπάνω διαδικασία για την άλλη λάμα.

## Για εργαλείο με μικρές λάμες πλάνης

Για να αντικαταστήσετε τις μικρές λάμες πλάνης, εκτελέστε την ακόλουθη διαδικασία.

**1.** Καθαρίστε προσεκτικά τις επιφάνειες του τυμπάνου και το κάλυμμα τυμπάνου.

**2.** Ξεβιδώστε τα τρία μπουλόνια τοποθέτησης με το κοίλο κλειδί. Βγάλτε το κάλυμμα τυμπάνου, την πλάκα ρύθμισης, την πλάκα συγκράτησης και τη μικρή λάμα πλάνης.

► **Εικ.7:** 1. Κοίλο κλειδί 2. Μπουλόνια

**3.** Χρησιμοποιήστε τον μετρητή λάμας για να ρυθμίσετε σωστά τις λάμες της πλάνης. Τοποθετήστε τη μικρή λάμα πλάνης στη βάση του μετρητή. Τοποθετήστε το άκρο κοπής της λάμας στην εσωτερική πλευρά της πλάκας μετρητή.

► **Εικ.8:** 1. Βίδες 2. Πλάκα ρύθμισης 3. Υποδοχές εντοπισμού της λάμας πλάνης 4. Πλάκα μετρητή 5. Τακούι της πλάκας ρύθμισης 6. Πλάκα συγκράτησης 7. Εσωτερική πλευρά της πλάκας μετρητή 8. Βάση μετρητή 9. Πίσω πλευρά της βάσης μετρητή 10. Μικρή λάμα πλάνης

**4.** Συνδέστε χαλαρά την πλάκα ρύθμισης στην πλάκα συγκράτησης με τις βίδες. Τοποθετήστε την πλάκα ρύθμισης και την πλάκα συγκράτησης στη βάση μετρητή. Προσαρμόστε τις υποδοχές εντοπισμού της λάμας πλάνης στην πλάκα συγκράτησης μέσα στην αυλάκωση της μικρής λάμας πλάνης.

**5.** Τοποθετήστε το τακούι της πλάκας ρύθμισης στην πίσω πλευρά της βάσης μετρητή και σφίξτε τις βίδες. Ελέγξτε προσεκτικά τις ευθυγραμμίσεις για να διασφαλίσετε ομοιόμορφες κοπές.

**6.** Σύρετε το τακούι της πλάκας ρύθμισης μέσα στην αυλάκωση του τυμπάνου.

**7.** Εφαρμόστε το κάλυμμα τυμπάνου στην πλάκα συγκράτησης και προσαρμόστε τα χαλαρά επάνω στο τύμπανο με τα τρία μπουλόνια. Σύρετε τη μικρή λάμα πλάνης μέσα στο χώρο μεταξύ του τυμπάνου και της πλάκας συγκράτησης. Βεβαιωθείτε ότι οι υποδοχές εντοπισμού της λάμας πλάνης στην πλάκα συγκράτησης έχουν προσαρμοστεί μέσα στην αυλάκωση της μικρής λάμας πλάνης.

► **Εικ.9:** 1. Μικρή λάμα πλάνης 2. Αυλάκωση 3. Πλάκα συγκράτησης 4. Μπουλόνια 5. Κάλυμμα τυμπάνου 6. Τύμπανο 7. Πλάκα ρύθμισης

**8.** Ρυθμίστε τη θέση της μικρής λάμας πλάνης κατά μήκος ώστε τα άκρα της λάμας να είναι καθαρά και να απέχουν ίση απόσταση από το περίβλημα στη μία πλευρά και από το μεταλλικό στήριγμα στην άλλη.

**9.** Σφίξτε τα τρία μπουλόνια με το κοίλο κλειδί που παρέχεται και περιστρέψτε το τύμπανο για να ελέγξετε τα διάκενα μεταξύ των άκρων της λάμας και του σώματος του εργαλείου.

**10.** Ελέγξτε το τελικό σφίξιμο των τριών μπουλονιών.

**11.** Επαναλάβετε την παραπάνω διαδικασία για την άλλη λάμα.

## Για τη σωστή ρύθμιση της λάμας πλάνης

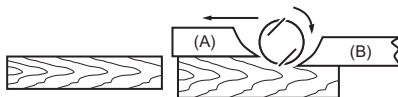
Αν η λάμα της πλάνης δεν είναι ρυθμισμένη σωστά και με ασφάλεια, η επιφάνεια πλανίσματός σας θα καταλήξει να είναι σκληρή και ανομοιόμορφη. Η λάμα πλάνης πρέπει να είναι στερεωμένη έτσι ώστε το άκρο κοπής να είναι τελείως επίπεδο, δηλ. παράλληλο προς την επιφάνεια της πίσω βάσης.

Ανατρέξτε σε μερικά παραδείγματα παρακάτω για σωστές και λανθασμένες ρυθμίσεις.

(Α) Μπροσινή βάση (κινητό πέλμα)

(Β) Πίσω βάση (ακίνητο πέλμα)

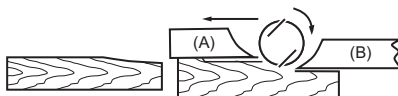
Σωστή ρύθμιση



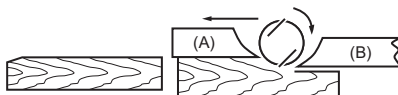
Χαραγές στην επιφάνεια



Εντομή στην αρχή



Εντομή στο τέλος



Παρότι δεν απεικονίζονται σε αυτήν την πλάγια όψη, τα άκρα των λαμών κινούνται τελείως παράλληλα στην επιφάνεια της πίσω βάσης.

Αιτία: Μία ή και οι δύο λάμες δεν έχουν το άκρο τους παράλληλο στη γραμμή της πίσω βάσης.

Αιτία: Ένα ή και τα δύο άκρα λαμών δεν προεξέχουν αρκετά σε σχέση με τη γραμμή της πίσω βάσης.

Αιτία: Ένα ή και τα δύο άκρα λαμών προεξέχουν πολύ σε σχέση με τη γραμμή της πίσω βάσης.

## Σύνδεση ηλεκτρικής σκούπας

**ΠΑΡΑΤΗΡΗΣΗ:** Σε μερικές χώρες, το ακροφύσιο μπορεί να μην συμπεριλαμβάνεται στη συσκευασία εργαλείου ως ανταναρ εξάρτημα.

► **Εικ. 10**

### Για εργαλείο με ακροφύσιο

Συνδέστε τον εύκαμπο σωλήνα της ηλεκτρικής σκούπας στο ακροφύσιο.

### Για εργαλείο χωρίς ακροφύσιο

1. Αφαιρέστε το κάλυμμα θραυσμάτων από το εργαλείο.
2. Τοποθετήστε το ακροφύσιο στο εργαλείο χρησιμοποιώντας τις βίδες.
3. Συνδέστε τον εύκαμπο σωλήνα της ηλεκτρικής σκούπας στο ακροφύσιο.

## Καθαρισμός ακροφυσίου

Να καθαρίζετε το ακροφύσιο τακτικά. Χρησιμοποιήστε πεπιεσμένο αέρα για να καθαρίσετε το φραγμένο ακροφύσιο.

## ΛΕΙΤΟΥΡΓΙΑ

**▲ ΠΡΟΕΙΔΟΠΟΙΗΣΗ:** Για να μειώσετε τον κίνδυνο πρόκλησης τραυματισμού σε άτομα, μη θέτετε σε λειτουργία χωρίς το ακροφύσιο ή το κάλυμμα θραυσμάτων να βρίσκεται στη θέση του.

Κατά την χρήση του εργαλείου κρατήστε το εργαλείο γερά με το ένα χέρι στη λαβή και το άλλο χέρι στη λαβή διακόπτης.

### Λειτουργία πλανίσματος

► **Εικ. 11:** 1. Εκκίνηση 2. Τέλος

Τοποθετήστε την μπροσινή βάση του εργαλείου επίπεδα επάνω στην επιφάνεια του τεμαχίου εργασίας χωρίς οι λάμες πλάνης να έρχονται σε επαφή με το τεμάχιο εργασίας. Ενεργοποιήστε το εργαλείο και περιμένετε έως ότου οι λάμες αποκτήσουν την πλήρη ταχύτητά τους. Στη συνέχεια μετακινήστε απαλά το εργαλείο προς τα εμπρός με σταθερή ταχύτητα. Ασκήστε πίεση στο μπροστινό τμήμα του εργαλείου στην αρχή του πλανίσματος και στο πίσω μέρος στο τέλος του πλανίσματος.

Η ταχύτητα και το βάθος κοπής καθορίζουν το τελείωμα. Για την επίτευξη ενός καλού τελειώματος της επιφάνειας, εκτελέστε πλάνισμα σε βάθος μέχρι να φτάσετε στο επιθυμητό βάθος και μετά εκτελέστε λεπτό και αργό πλάνισμα για το τελικό πέρασμα.

## Δημιουργία αυλακιών (ένωση με γκινισιά)

### ► Εικ.12

Για να κάνετε μια βηματική κοπή, όπως απεικονίζεται στην εικόνα, χρησιμοποιήστε τον οδηγό άκρου (οδηγός χάρακα).

Σχεδιάστε μια γραμμή κοπής στο τεμάχιο εργασίας. Εισαγάγετε τον οδηγό άκρου στην οπή στο εμπρόσθιο μέρος του εργαλείου. Ευθυγραμμίστε το άκρο λάμας με τη γραμμή κοπής.

### ► Εικ.13: 1. Άκρο λάμας 2. Γραμμή κοπής

Ρυθμίστε τον οδηγό άκρου έως ότου έρθει σε επαφή με την πλευρά του τεμαχίου εργασίας, και στη συνέχεια, ασφαλίστε τον σφίγγοντας τη βίδα.

### ► Εικ.14: 1. Βίδα 2. Οδηγός άκρου

Κατά το πλάνισμα, να μετακινείτε το εργαλείο με τον οδηγό άκρου ευθυγραμμισμένο με το πλαινό του τεμαχίου εργασίας. Διαφορετικά μπορεί να προκύψει ανομοιόμορφο πλάνισμα.

### ► Εικ.15

Το μέγιστο βάθος κατά τη δημιουργία αυλακιών (ένωση με γκινισιά) είναι 9 mm.

Ίσως επιθυμείτε να αυξήσετε το μήκος του οδηγού προσαρτώντας ένα πρόσθετο κομμάτι ξύλου. Στον οδηγό παρέχονται οπές ευκολίας για το σκοπό αυτό, αλλά και για την προσάρτηση ενός οδηγού προέκτασης (προαιρετικό αξεσουάρ).

### ► Εικ.16

**ΠΑΡΑΤΗΡΗΣΗ:** Το σχήμα του οδηγού χάρακα μπορεί να διαφέρει ανάλογα με τη χώρα. Σε μερικές χώρες, ο οδηγός χάρακα δεν συμπεριλαμβάνεται ως στάνταρ αξεσουάρ.

## Γωνιοτομή

### ► Εικ.17

### ► Εικ.18

Για να κάνετε μια γωνιοτομή όπως απεικονίζεται στην εικόνα, ευθυγραμμίστε την αυλάκωση σχήματος «V» στην μπροστινή βάση με το άκρο του τεμαχίου εργασίας και πλανίστε.

## ΣΥΝΤΗΡΗΣΗ

**▲ ΠΡΟΣΟΧΗ:** Να βεβαιώνεστε πάντα ότι το εργαλείο είναι σβηστό και αποσυνδεδεμένο από την ηλεκτρική παροχή πριν εκτελέσετε οποιαδήποτε εργασία επιθεώρησης ή συντήρησης σε αυτό.

**▲ ΠΡΟΣΟΧΗ:** Μην χρησιμοποιείτε ποτέ βενζίνη, πετρελαϊκό αιθέρα, διαλυτικό, αλκοόλη ή παρόμοιες ουσίες. Μπορεί να προκληθεί αποχρωματισμός, παραμόρφωση ή ρωγμές.

## Ακόνισμα των λαμών πλάνης

### Μόνο για συμβατικές λάμες πλάνης

Να διατηρείτε πάντα τις λάμες πλάνης σας αιχμηρές για να έχετε τη βέλτιστη δυνατή απόδοση. Χρησιμοποιήστε τον υποδοχέα ακονίσματος (προαιρετικό αξεσουάρ) για να αφαιρέσετε χαραγές και να παράγετε ένα καθαρό άκρο.

### ► Εικ.19: 1. Υποδοχέας ακονίσματος

Πρώτα, χαλαρώστε τα δύο παξιμάδια πεταλούδα στον υποδοχέα και εισάγετε τις λάμες πλάνης (Α) και (Β), ώστε να έρχονται σε επαφή με τις πλευρές (C) και (D). Κατόπιν, σφίξτε τα παξιμάδια πεταλούδα.

### ► Εικ.20: 1. Παξιμάδι πεταλούδα 2. Λάμα πλάνης (Α) 3. Λάμα πλάνης (Β) 4. Πλευρά (D) 5. Πλευρά (C)

Βυθίστε την πέτρα ακονίσματος σε νερό για 2 ή 3 λεπτά πριν από το ακόνισμα. Κρατήστε τον υποδοχέα ώστε και οι δύο λάμες να έρχονται σε επαφή με την πέτρα ακονίσματος για ταυτόχρονο ακόνισμα στην ίδια γωνία.

### ► Εικ.21

## Αντικατάσταση καρβουνακιών

### ► Εικ.22: 1. Σημάδι ορίου

Αφαιρείτε και ελέγχετε τα καρβουνάκια τακτικά. Αντικαθιστάτε όταν φθαρούν μέχρι την ένδειξη ορίου. Διατηρείτε τα καρβουνάκια καθαρά και ελεύθερα να γλιστρούν στις θήκες. Και τα δύο καρβουνάκια πρέπει να αντικαθίστανται ταυτόχρονα. Χρησιμοποιείτε μόνο καρβουνάκια ίδιου τύπου.

Χρησιμοποιήστε το κατασβίδι για να βγάλετε το κάλυμμα θραυσμάτων ή το ακροφύσιο.

### ► Εικ.23: 1. Κάλυμμα θραυσμάτων ή ακροφύσιο 2. Κατασβίδι

Χρησιμοποιήστε ένα κατασβίδι για να αφαιρέσετε τα καπάκια των θηκών καρβουνακιών.

Αφαιρέστε τα φθαρμένα καρβουνάκια, τοποθετήστε τα καινούρια και ασφαλίστε τα καπάκια των θηκών καρβουνακιών.

### ► Εικ.24: 1. Καπάκι θήκης καρβουνακιού 2. Κατασβίδι

Για τη διατήρηση της ΑΣΦΑΛΕΙΑΣ και ΑΞΙΟΠΙΣΤΙΑΣ του προϊόντος, οι επισκευές και οποιαδήποτε άλλη εργασία συντήρησης ή ρύθμισης πρέπει να εκτελούνται από εξουσιοδοτημένα ή εργοστασιακά κέντρα εξυπηρέτησης της Makita, χρησιμοποιώντας πάντοτε ανταλλακτικά της Makita.

## TEKNİK ÖZELLİKLER

Model:	M1901
Planya genişliği	82 mm
Planya derinliği	2 mm
Ahşap kesme derinliği	9 mm
Yüksüz hız	16.000 min <sup>-1</sup>
Toplam uzunluk	285 mm
Net ağırlık	2,8 - 2,9 kg
Emniyet sınıfı	□/II

- Sürekli yapılan araştırma ve geliştirmelerden dolayı, burada belirtilen özellikler önceden bildirilmeksizin değiştirilebilir.
- Özellikler ülkeden ülkeye değişebilir.
- Ağırlık, ek parçaya(parçalara) bağlı olarak değişebilir. En hafif ve en ağır kombinasyon, EPTA Prosedürü 01/2014'e göre, tabloda gösterilmiştir.

### Kullanım amacı

Bu alet ahşap malzemede planya işleri için tasarlanmıştır.

### Güç kaynağı

Aletin, yalnızca isim levhasında belirtilenle aynı voltajlı güç kaynağına bağlanması gerekir ve yalnızca tek fazlı AC güç kaynağıyla çalıştırılabilir. Çifte yalıtımlıdır ve topraklamasız prizlerle de kullanılabilir.

### Gürültü

Tipik A-ağırlıklı gürültü düzeyi (EN62841-2-14 standardına göre belirlenen):  
Ses basınç seviyesi ( $L_{pA}$ ): 88 dB (A)  
Ses gücü düzeyi ( $L_{WA}$ ): 96 dB (A)  
Belirsizlik (K): 3 dB (A)

**NOT:** Beyan edilen gürültü emisyonu değer(ler)i bir standart test yöntemine uygun şekilde ölçülmüştür ve bir aleti bir başkasıyla karşılaştırmak için kullanılabilir.

**NOT:** Beyan edilen gürültü emisyonu değer(ler)i bir ön maruz kalma değerlendirmesi olarak da kullanılabilir.

**UYARI:** Kulak koruyucuları takın.

**UYARI:** Elektrikli aletin gerçek kullanımı sırasındaki gürültü emisyonu, aletin kullanım biçimlerine, özellikle işlenen iş parçasının türüne bağlı olarak beyan edilen değer(ler)den farklı olabilir.

**UYARI:** Gerçek kullanım koşullarındaki tahmini maruziyeti baz alan, operatörü koruyacak güvenlik önlemlerini mutlaka belirleyin (çalışma döngüsü içerisinde aletin kapalı olduğu ve aktif durumda olmasının yanı sıra boşta çalıştığı zamanlar gibi, bütün zaman dilimleri göz önünde bulundurarak).

### Titreşim

Titreşim toplam değeri (üç eksenli vektör toplamı) (EN62841-2-14 standardına göre hesaplanan):  
Çalışma modu: yüzey taşılama  
Titreşim emisyonu ( $a_h$ ): 3,5 m/s<sup>2</sup>  
Belirsizlik (K) : 1,5 m/s<sup>2</sup>

**NOT:** Beyan edilen titreşim toplam değer(ler)i bir standart test yöntemine uygun şekilde ölçülmüştür ve bir aleti bir başkasıyla karşılaştırmak için kullanılabilir.

**NOT:** Beyan edilen titreşim toplam değer(ler)i bir ön maruz kalma değerlendirmesi olarak da kullanılabilir.

**UYARI:** Elektrikli aletin gerçek kullanımı sırasındaki titreşim emisyonu, aletin kullanım biçimlerine, özellikle işlenen iş parçasının türüne bağlı olarak beyan edilen değer(ler)den farklı olabilir.

**UYARI:** Gerçek kullanım koşullarındaki tahmini maruziyeti baz alan, operatörü koruyacak güvenlik önlemlerini mutlaka belirleyin (çalışma döngüsü içerisinde aletin kapalı olduğu ve aktif durumda olmasının yanı sıra boşta çalıştığı zamanlar gibi, bütün zaman dilimleri göz önünde bulundurarak).

### Uygunluk Beyanları

**Sadece Avrupa ülkeleri için**

Uygunluk beyanları bu kullanma kılavuzuna Ek A olarak eklenmiştir.

# GÜVENLİK UYARILARI

## Genel elektrikli alet güvenliği uyarıları

**UYARI:** Bu elektrikli aletle birlikte sunulan tüm güvenlik uyarılarını, talimatları, çizimleri ve teknik özellikleri okuyun. Aşağıda verilen talimatlara uyulmaması elektrik şoku, yangın ve/veya ciddi yaralanmalar ile sonuçlanabilir.

## Tüm uyarıları ve talimatları ile-ride başvurmak için saklayın.

Uyarılardaki "elektrikli alet" terimi ile ya prizden çalışan (kordonlu) elektrikli aletiniz ya da kendi aküsü ile çalışan (kordsuz) elektrikli aletiniz kastedilmektedir.

## Planya Güvenlik Uyarıları

1. Aleti bırakmadan önce kesici tamamen durana kadar bekleyin. Açıkta bırakılan bir dönen kesici, yüzeye kapılarak kontrol kaybına ve ciddi yaralanmalara neden olabilir.
2. Kesici, kendi kablosuna temas edebileceğinden elektrikli aleti yalıtımlı saplarından tutun. "Akımlı" bir telin kesilmesi elektrikli aletin yalıtımsız metal kısımlarını "akımlı" hale getirebilir ve kullanıcıyı elektrik şokuna maruz bırakabilir.
3. İş parçasını sabit bir platforma bağlamak ve desteklemek için mengene veya başka bir pratik yol kullanın. İş parçasını elle tutmak ya da vücudunuzla desteklemek sabit durmasına ve kontrolü kaybetmenize neden olabilir.
4. Bez parçaları, kumaş, kablo, tel ve benzeri şeyleri çalışma alanının etrafında dağınık halde bırakmayın.
5. Çivileri kesmekten kaçının. İşlemden önce iş parçasının üzerinde çivi olup olmadığını kontrol edin ve varsa hepsini çıkarın.
6. Yalnızca keskin bıçaklar kullanın. Bıçakları çok dikkatli şekilde tutun.
7. Çalışmaya başlamadan önce bıçak montaj civatalarının sağlam şekilde sıkıldığından emin olun.
8. Aleti iki elle sıkıca tutun.
9. Ellerinizi dönen parçalardan uzak tutun.
10. Aleti gerçek bir iş parçası üzerinde kullanmadan önce bir süre boşa çalıştırın. İyi takılmamış veya tam dengelenmemiş bir bıçağın belirtileri olan vibrasyon ya da sallanma olup olmadığına bakın.
11. Anahtar açmadan önce bıçağın iş parçasına değmediğinden emin olun.
12. Kesmeden önce bıçak tam hıza ulaşana kadar bekleyin.
13. Herhangi bir ayar yapmadan önce aleti daima kapalı konuma getirin ve bıçaklar tamamen durana kadar bekleyin.
14. Parmağınızı talaş yuvasına dayamayın. Islak aşşap malzemeler kesilirken talaş yuvası tıkanabilir. Talaşları bir çubuk yardımıyla temizleyin.
15. Aleti çalışır durumda bırakmayın. Aleti sadece elinizde tutarken çalıştırın.
16. Her zaman tabla üzerindeki her iki bıçağı veya kapağı aynı anda değiştirin, aksi takdirde titreşim meydana gelecek ve aletin ömrü kısılacaktır.
17. Yalnızca bu kılavuzda belirtilen Makita bıçaklarını kullanın.

18. Daima çalıştığınız malzeme ve yaptığınız işe uygun maske/respiratör kullanın.

## BU TALİMATLARI SAKLAYIN.

**UYARI:** Ürünü kullanırken (defalarca kullanınca kazanılan) rahatlık ve tanıdıklık duygusunun ilgili ürünün güvenlik kurallarına sıkı sıkıya bağlı kalmanızı yerine geçmesine İZİN VERMEYİN.

**YANLIŞ KULLANIM** veya bu kullanma kılavuzunda belirtilen emniyet kurallarına uymama ciddi yaralanmaya neden olabilir.

## İŞLEVSEL NİTELİKLER

**DİKKAT:** Alet üzerinde ayarlama ya da işleyiş kontrolü yapmadan önce aletin kapalı ve fişinin çekili olduğundan daima emin olun.

## Kesim derinliğini ayarlamak

- **Şek.1:** 1. İbre 2. Ayar düğmesi

İbre istenen kesim derinliğini gösterene kadar aletin ön tarafındaki ayar düğmesi çevrilerek kesme derinliği kolayca ayarlanabilir.

## Anahtarın işlemi

- **Şek.2:** 1. Anahtar tetik 2. Kilitleme düğmesi veya Güvenlik kilidi düğmesi

**DİKKAT:** Aleti fişe takmadan önce anahtar tetiğinin doğru çalıştığından ve bırakıldığında "OFF" (kapalı) konumuna döndüğünden emin olun.

## Kilitleme düğmeli aletler için

**DİKKAT:** Uzun süreli kullanım sırasında kullanıcının rahatı için anahtar "ON" (açık) konumunda kilitlenebilir. Anahtar "ON" (açık) konumunda kilitleyen dikkatli olun ve aleti sıkı kavrayın.

Aleti çalıştırmak için anahtar tetiği çekmeniz yeterlidir. Durdurmak için anahtar tetiği serbest bırakın. Aralıksız çalışma için anahtar tetiği çekin ve ardından kilid düğmesine basın. Aleti kilitleli pozisyondan çıkarmak için, anahtar tetiği tamamen çekip sonra serbest bırakın.

## Güvenlik kilidi düğmeli aletler için

Anahtar tetiğinin yanlışlıkla çekilmesini önlemek için güvenlik kilidi düğmesi sağlanmıştır. Aleti başlatmak için, güvenlik kilidi düğmesine bastırın ve anahtar tetiği çekin. Durdurmak için anahtar tetiği serbest bırakın.

**DİKKAT:** Çalışma güvenlik kilidi düğmesine basmadan anahtar tetiği sert bir şekilde çekmeye çalışmayın. Bu, anahtarın kırılmasına neden olabilir.



## Ayak

► **Şek.3:** 1. Planya bıçağı 2. Arka taban 3. Ayak

Bir kesim işleminden sonra, aletin arka tarafını ayak arka tabandan dışarı çıkacak şekilde kaldırın. Bu, planya bıçaklarının hasar görmesini önler.

## MONTAJ

**⚠DİKKAT:** Alet üzerinde herhangi bir iş yapmadan önce aletin kapalı ve fişinin çekili olduğundan daima emin olun.

### Planya bıçaklarının takılması veya çıkarılması

**⚠DİKKAT:** Alete planya bıçaklarını takarken bıçak montaj civatalarını dikkatlice sıkın. Gevşek montaj civataları tehlikeli olabilir. Civataların doğru şekilde sıkılıp sıkılmadığını daima kontrol edin.

**⚠DİKKAT:** Planya bıçaklarını çok dikkatli şekilde tutun. Parmaklarınızın veya elinizin kesilmemesi için bıçakları çıkarırken veya takarken eldiven veya bir bez parçası kullanın.

**⚠DİKKAT:** Planya bıçaklarını çıkarmak veya takmak için yalnızca ürüne verilen Makita anahtarını kullanın. Bunu yapmamak, montaj civatalarının aşırı ya da yetersiz sıkılmasıyla sonuçlanabilir. Bu da yaralanmalara yol açabilir.

## Standart planya bıçaklı aletler için

Tabla üzerindeki planya bıçaklarını çıkartmak için montaj civatalarını lokma anahtarıyla sökün. Tabla kapağı, bıçaklarla birlikte çıkar.

► **Şek.4:** 1. Lokma anahtarı 2. Civatalar

► **Şek.5:** 1. Civatalar 2. Tabla 3. Planya bıçağı 4. Tabla kapağı 5. Ayar levhası 6. Yuva

Planya bıçaklarını takmak için aşağıdaki prosedürü izleyin.

1. Tabla ve planya bıçakları etrafına yapışmış tüm yonga veya yabancı maddeleri temizleyin.

2. Aynı boyutta ve ağırlıkta planya bıçaklarını kullanın. Aksi takdirde tabla sallanarak veya titreyerek planya işleminin istenildiği şekilde yapılamamasına ve aletin zorulmasına neden olabilir.

3. Planya bıçaklarını doğru bir şekilde ayarlamak için bıçak mastarını kullanın. Planya bıçağını mesnet tabanına yerleştirin. Bıçağın keskin kenarını mesnet levhasının iç yuvasının üzerine uygulayın.

► **Şek.6:** 1. Mesnet levhasının iç yuvası 2. Bıçak kenarı 3. Planya bıçağı 4. Ayar levhası 5. Vidalar 6. Topuk 7. Mesnet tabanının arka tarafı 8. Mesnet levhası 9. Mesnet tabanı

4. Ayar levhasını planya bıçağının üzerine yerleştirin. Ayar levhasına mesnet tabanının arka tarafıyla ayar levhası topuğu aynı hizada olacak şekilde bastırın. İki vidayı ayar levhası üzerinde sıkılayın.

5. Ayar levhasının topuk kısmını tabla yuvasına kaydırın ve tabla kapağını yerine takın.

6. Tüm montaj civatalarını lokma anahtarını kullanarak çapraz ve eşit şekilde sıkın.

7. Yukarıdaki prosedürü diğer bıçak için de tekrar edin.

## Mini planya bıçaklı aletler için

Mini planya bıçaklarını değiştirmek için aşağıdaki prosedürü izleyin.

1. Tabla yüzeylerini ve tabla kapağını dikkatlice temizleyin.

2. Üç montaj civatasını lokma anahtarını kullanarak sökün. Tabla kapağını, ayar levhasını, oturma levhasını ve mini planya bıçağını sökün.

► **Şek.7:** 1. Lokma anahtarı 2. Civatalar

3. Planya bıçaklarını doğru bir şekilde ayarlamak için bıçak mastarını kullanın. Mini planya bıçağını mesnet tabanına koyun. Bıçağın keskin kenarını mesnet levhasının iç yuvasının üzerine uygulayın.

► **Şek.8:** 1. Vidalar 2. Ayar levhası 3. Planya bıçağı tespit tırnakları 4. Mesnet levhası 5. Ayar levhasının topuk kısmı 6. Oturma levhası 7. Mesnet levhasının iç yuvası 8. Mesnet tabanı 9. Mesnet tabanının arka tarafı 10. Mini planya bıçağı

4. Ayar levhasını vidalarla gevşek bir şekilde oturma levhasına takın. Ayar levhasını ve oturma levhasını mesnet tabanına yerleştirin. Oturma levhası üzerindeki planya bıçağı tespit tırnaklarını mini planya bıçağının yuvasına yerleştirin.

5. Ayar levhasının topuk kısmını mesnet tabanının arka tarafına bastırın ve vidaları sıkılayın. Düzgün bir kesme işlemi için hizalamaları dikkatli bir şekilde kontrol edin.

6. Ayar levhasının topuk kısmını tabla yuvasına kaydırın.

7. Tabla kapağını oturma levhasına yerleştirin ve üç civatayla gevşek bir şekilde tablaya tutturun. Mini planya bıçağını tabla ve oturma levhası arasındaki boşluğa kaydırın. Oturma levhası üzerindeki planya bıçağı tespit tırnaklarının mini planya bıçağının yuvasına oturduğundan emin olun.

► **Şek.9:** 1. Mini planya bıçağı 2. Yuva 3. Oturma levhası 4. Civatalar 5. Tabla kapağı 6. Tabla 7. Ayar levhası

8. Mini planya bıçağının uzunlumasına konumu; bıçak uçları açık ve bir tarafta muhafazaya ve diğer tarafta metal kelepçeye eşit mesafede olacak şekilde ayarlanmalıdır.

9. Üç civatayı ürünle verilen lokma anahtarını kullanarak sıkın ve bıçak uçları ile alet gövdesi arasındaki boşluğu kontrol etmek için tablayı döndürün.

10. Son olarak üç civatanın sıkılıklarını kontrol edin.

11. Yukarıdaki prosedürü diğer bıçak için de tekrar edin.

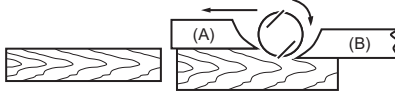
## Doğru planya bıçağı ayarı için

Planya bıçağının doğru ve sağlam şekilde takılmaması durumunda planya yüzeyinde dalgalar ve pürüzler oluşacaktır. Planya bıçağı mutlaka kesme kenarı tamamen düz ve arka taban yüzeyine paralel olacak şekilde takılmalıdır. Aşağıda verilen doğru ve yanlış ayar örneklerine bakın.

(A) Ön taban (Hareketli pabuç)

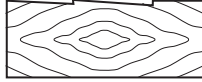
(B) Arka taban (Sabit pabuç)

Doğru ayar



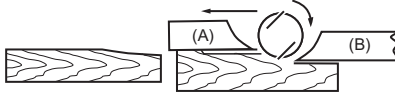
Bu yandan görünümde gözükmemesine rağmen, bıçak kenarları arka taban yüzeyi ile tamamen paraleldir.

Yüzey tırtıkları



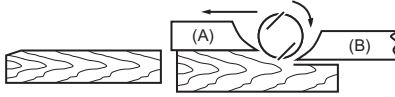
Nedeni: Bıçakların birinin veya her ikisinin kenarı arka taban çizgisine paralel değildir.

Başlangıçta oyuk



Nedeni: Bıçaklardan birinin veya her ikisinin kenarları arka taban çizgisinden yeterli şekilde çıkmıyordur.

Sonda oyuk



Nedeni: Bıçaklardan birinin veya her ikisinin kenarları arka taban çizgisinden çok fazla taşıyordur.

## Bir elektrikli süpürgeğin bağlanması

**NOT:** Bazı ülkelerde nozıl, aletin ambalajında standart aksesuar olarak yer almayabilir.

### ► Şek.10

## Nozılı alet için

Elektrikli süpürgeğin hortumunu nozıla bağlayın.

## Nozısız alet için

1. Talaş kapağını aletten çıkarın.
2. Nozulu, vidaları kullanarak alete takın.
3. Elektrikli süpürgeğin hortumunu nozıla bağlayın.

## Nozılın temizlenmesi

Nozulu düzenli olarak temizleyin.

Tıkalı nozulu temizlemek için basınçlı hava kullanın.

## KULLANIM

**⚠UYARI:** Yaralanma riskini azaltmak için, nozulu veya talaş kapağı takılı değilken çalıştırmayın.

Bir eliniz ayar düğmesinde ve diğer eliniz çalıştırma kolunda olacak şekilde aleti sıkıca tutun.

## Planya işlemi

### ► Şek.11: 1. Başlangıç 2. Bitiş

Aletin ön tabanını iş parçası yüzeyine düz bir şekilde dayayın, ancak bu esnada bıçakların iş parçasına temas etmemesine dikkat edin. Aleti çalıştırın ve bıçaklar maksimum hıza ulaşana kadar bekleyin. Ardından aleti sabit bir hızda hafifçe ileri doğru hareket ettirin. Planya işleminin başlangıcında aletin ön kısmına ve işlemin sonunda arka kısmına basınç uygulayın.

Kesme derinliği ve hızı yüzey finişini belirleyen faktörlerdir. İyi bir yüzey finişini elde etmek için, istenen derinliğe yaklaşıp daha derin bir şekilde planyalama işlemini gerçekleştirin ve ardından son geçiş için ince ve yavaş bir planyalama gerçekleştirin.

## Ahşap kesme (Lambalı geçme)

### ► Şek.12

Şekilde gösterildiği gibi kesimler yapmak için bir kenar mesnedi (kılavuz parçası) kullanmanız gerekir.

İş parçası üzerine bir kesim çizgisi çizin. Kenar mesnedini aletin ön tarafındaki deliğe sokun. Bıçak kenarını kesim çizgisine hizalayın.

### ► Şek.13: 1. Bıçak kenarı 2. Kesim çizgisi

Kenar mesnedini iş parçasının yan tarafına temas edecek şekilde yerleştirin ve ardından vidayla sağlam şekilde sıkın.

### ► Şek.14: 1. Vida 2. Kenar mesnedi

Aleti planyalama işlemi sırasında kenar mesnedi, iş parçasının yan tarafı ile aynı hizada kalacak şekilde hareket ettirin. Aksi takdirde düzgün bir yüzey elde edilemez.

### ► Şek.15

Maksimum ahşap kesme (lambalı geçme) derinliği 9 mm'dir.

İlave bir tahta parçası takarak mesnet uzunluğunu arttırmayı isteyebilirsiniz. Bu amaçla ve bir uzatma kılavuzu (isteğe bağlı aksesuar) takmak için mesnet üzerinde uygun delikler mevcuttur.

### ► Şek.16

**NOT:** Kılavuz parçasının şekli ülkeden ülkeye farklılık gösterir. Bazı ülkelerde kılavuz parçası standart bir aksesuar olarak dahil edilmez.

## Pah kırılması

### ► Şek.17

### ► Şek.18

İş parçasında şekilde gösterildiği gibi pah kırılması için ön tabandaki "V" yuvasını iş parçasının kenarına gelecek şekilde hizalayın.

## BAKIM

**⚠ DİKKAT:** Muayene ya da bakım yapmadan önce aletin kapalı ve fişinin çekili olduğundan daima emin olun.

**⚠ DİKKAT:** Benzin, tiner, alkol ve benzeri maddeleri kesinlikle kullanmayın. Renk değişimi, deformasyon veya çatlaklar oluşabilir.

## Planya bıçaklarının bileneşmesi

### *Sadece standart planya bıçakları için*

Mümkün olan en iyi performans için planya bıçaklarınızı daima keskin tutun. Tırtıkları engellemek ve pürüzsüz bir kenar elde etmek için bileme yuvasını (isteğe bağlı aksesuar) kullanın.

### ► Şek.19: 1. Bileme yuvası

Öncelikle, yuva üzerindeki iki kelebek somunu gevşetin, (A) ve (B) bıçaklarını (C) ve (D) ile gösterilen yan taraflara temas edecek şekilde takın. Ardından, kelebek somunları sıkın.

### ► Şek.20: 1. Kelebek somun 2. Planya bıçağı (A) 3. Planya bıçağı (B) 4. Yan taraf (D) 5. Yan taraf (C)

Bileme işlemine başlamadan önce bileği taşıını 2 ila 3 dakika suda bekletin. Eş zamanlı bileme için, yuvayı her iki bıçak da bileği taşına eşit açıyla temas edecek şekilde tutun.

### ► Şek.21

## Karbon fırçaların deęiştirilmesi

### ► Şek.22: 1. Sınır işareti

Karbon fırçaları düzenli olarak çıkarıp kontrol edin. Sınır işaretine kadar yıprandıkları zaman deęiştirin. Karbon fırçaların temiz ve tutucuları içinde serbestçe kayar durumda kalmalarını sağlayın. Her iki karbon fırça aynı zamanda deęiştirilmelidir. Sadece birbirinin aynısı olan karbon fırçaları kullanın.

Talaş kapağını veya nozulu çıkarmak için bir tornavida kullanın.

### ► Şek.23: 1. Talaş kapağı veya nozul 2. Tornavida

Fırça tutucu kapaklarını çıkarmak için bir tornavida kullanın.

Aşınmış karbon fırçalarını çıkarıp yenilerini takın ve fırça tutucu kapaklarını sabitleyin.

### ► Şek.24: 1. Fırça tutucu kapağı 2. Tornavida

Aleti EMNİYETLİ ve ÇALIŞMAYA HAZIR durumda tutmak için onarımlar, başka her türlü bakım ve ayarlamalar daima Makita yedek parçaları kullanılarak Makita yetkili servis merkezleri veya Fabrikanın Servis Merkezleri tarafından yapılmalıdır.

# Makita Europe N.V.

Jan-Baptist Vinkstraat 2, 3070 Kortenberg, Belgium

# Makita Corporation

3-11-8, Sumiyoshi-cho, Anjo, Aichi 446-8502 Japan

[www.makita.com](http://www.makita.com)



885473B993  
EN, FR, DE, IT, NL,  
ES, PT, DA, EL, TR  
20181212