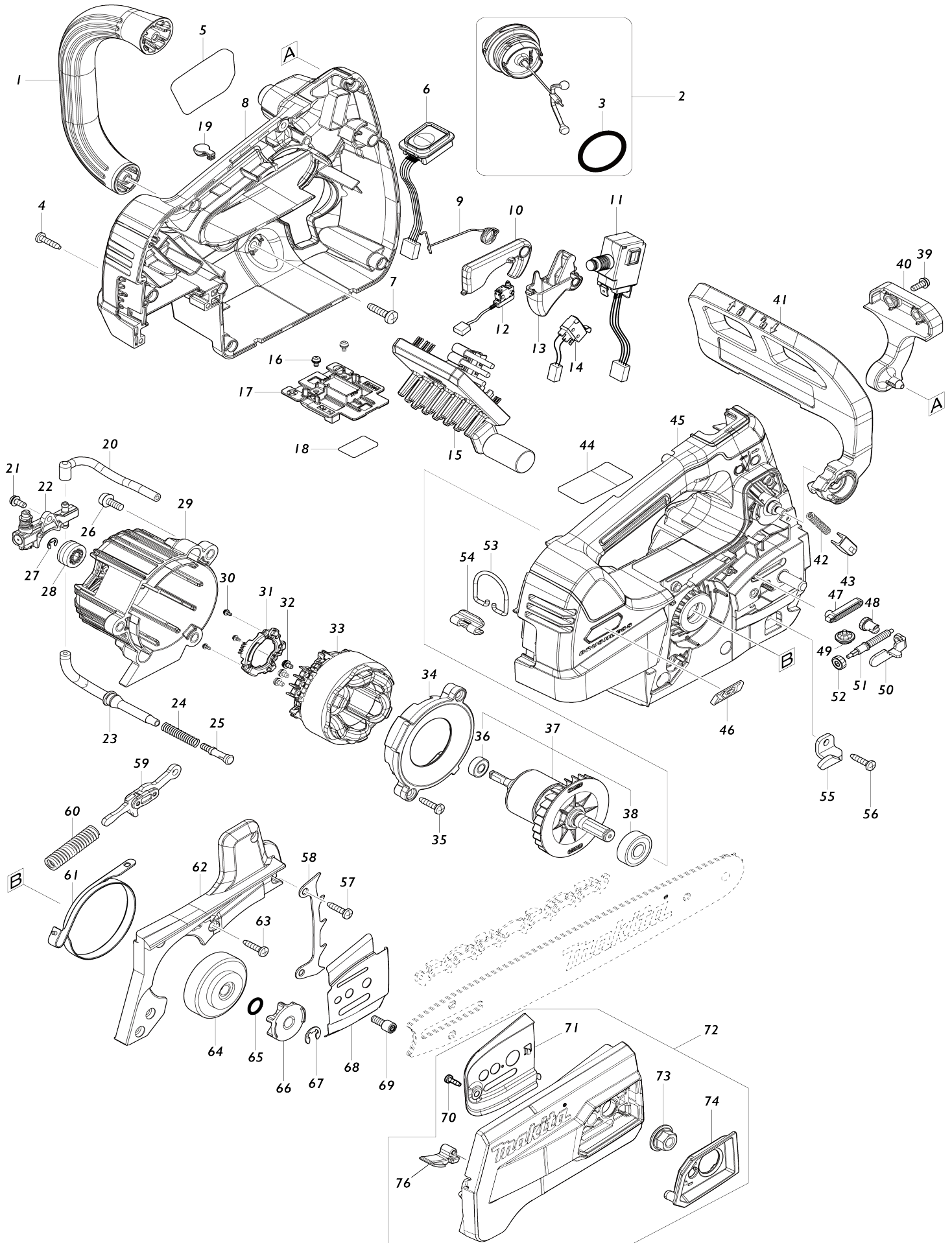


# Model No. UC003G 300MM CORDLESS CHAIN SAW



Model No.UC003G 300MM CORDLESS CHAIN SAW

Item No.	Parts No.	Description	Interchangability	Q'ty	New/Old	Note1	Note2
001	413979-0	FRONT HANDLE		1			
002	122A77-2	TANK CAP ASSEMBLY		1			
002		INC. 3					
003	213080-9	O RING 29.5		1			
004	266326-2	TAPPING SCREW 4X18		8			
005	8041P3-2	UC003G MODEL NO. LABEL		1	*		
005-1	810R17-1	MAKITA LOGO LABEL	O	1			
006	141G07-0	SWITCH CIRCUIT COMPLETE		1			
C10	810D46-0	SWITCH LABEL		1			
007	266420-0	TAPPING SCREW 5X20		2	*		
007-1	265C57-8	TAPPING SCREW 5X20	O	2			
008	183U56-5	HOUSING SET		1	*		
C10	263005-3	RUBBER PIN 6		2	*		
008		INC. 19,45			*		
008-1	1831C9-5	HOUSING SET	S	1			
C10	263005-3	RUBBER PIN 6		2			
008-1		INC. 19,45					
009	232713-7	TORSION SPRING 10		1	*		
009-1	232867-0	TORSION SPRING 10	S	1			
010	413987-1	CATCH LEVER		1	*		
010-1	141V70-3	LOCK OFF LEVER COMPLETE	S	1			
011	650011-1	SWITCH C3JR-4BM-PAND3		1			
012	632L49-0	SWITCH UNIT		1	*		
013	459282-5	SWITCH LEVER		1			
014	632L48-2	SWITCH UNIT		1			
015	620F70-5	CONTROLLER		1	*		
C10	688131-1	LINE FILTER		2	*		
015-1	620P50-1	CONTROLLER	S	1			
C11	688131-1	LINE FILTER	O	2			
016	652031-1	PAN HEAD SCREW M3X6		2			
017	632S63-8	TERMINAL UNIT		1			
018	8110V6-5	UC003G SERIAL NO. LABEL		1			
019	422467-6	CAP		1			
020	422764-0	OIL TUBE 3-85		1			
021	911113-1	PAN HEAD SCREW M4X10 WITH WR		1			
022	142156-4	OIL PUMP COMPLETE		1			
023	422765-8	OIL TUBE 3-109		1			
024	231975-4	SPRING		1			
025	452666-6	NIPPLE		1			
026	911218-7	PAN HEAD SCREW M5X14		3			
027	961011-9	STOP RING E-4		1			
028	226884-0	WORM GEAR		1			
029	413904-1	MOTOR HOUSING		1			
030	652093-9	PAN HEAD SCREW M2X5		3	*		
030-1	652119-7	PAN HEAD SCREW M2X6	O	3			
031	620F73-9	SENSOR UNIT		1			
032	652069-6	FLAT HEAD SCREW M3X6		3			

033	629A85-9	STATOR		1			
034	413980-5	BAFFLE PLATE		1	*		
034-1	413V76-4	BAFFLE PLATE	<	1			
035	266326-2	TAPPING SCREW 4X18		2			
036	210026-6	BALL BEARING 696ZZ		1			
037	519710-3	ROTOR ASSY		1			
037		INC. 36,38					
038	210059-1	BALL BEARING 6000DDW		1			
039	911118-1	PAN HEAD SCREW M4X12		2			
040	413907-5	FRONT HAND GUARD RETAINER		1			
041	141E58-1	FRONT HAND GUARD COMPLETE		1			
C10	8042N8-4	CAUTION LABEL		1			
042	232714-5	COMPRESSION SPRING 3		1			
043	313212-9	HAND GUARD GUIDE		1			
044	8110V0-7	UC003G NAME PLATE		1			
045	183U56-5	HOUSING SET		1	*		
C10	263005-3	RUBBER PIN 6		2	*		
045		INC. 8,19			*		
045-1	1831C9-5	HOUSING SET	S	1			
C10	263005-3	RUBBER PIN 6		2			
045-1		INC. 8,19					
046	8012U4-2	XGT LOGO LABEL		1			
047	422466-8	GROMET		1			
048	227620-7	DRIVE GEAR 14		1			
049	227634-6	STRAIGHT BEVEL GEAR 14		1			
050	347517-5	TENSION SLIDE		1			
051	327317-9	ADJUST SCREW		1			
052	227496-2	STRAIGHT BEVEL GEAR 14		1			
053	281222-3	HOOK		1			
054	347514-1	HOOK SUPPORT		1	*		
054-1	347D19-5	HOOK SUPPORT	S	1			
055	347516-7	CHAIN CATCHER		1			
056	266326-2	TAPPING SCREW 4X18		1			
057	266326-2	TAPPING SCREW 4X18		2			
058	346809-9	SPIKE BUMPER		1			
059	141E60-4	LINK PLATE COMPLETE		1			
060	232452-9	COMPRESSION SPRING 7		1			
061	347864-4	BRAKE BAND		1			
062	413981-3	HOUSING R COVER		1			
063	266326-2	TAPPING SCREW 4X18		5			
064	162979-4	BRAKE DRUM		1			
065	213060-5	O RING 10		1			
066	191V90-7	SPROCKET 6 SET		1			
066	191V91-5	SPROCKET 7 SET		1			
067	961013-5	STOP RING E-7		1			
068	347533-7	GUIDE PLATE L		1			
069	266905-6	H.L. SOCKET HEAD BOLT M5X12		1			
070	266007-8	TAPPING SCREW BIND PT 3X10		1			
071	347534-5	GUIDE PLATE R		1			
072	136573-8	SPROCKET COVER ASS'Y		1			
072		INC. 70,71,73,74,76					

073	162494-8	FLANGE NUT COMPLETE		1		
074	413986-3	NUT COVER		1		
076	422310-9	CHIP GUIDE		1		
077	324616-0	HOSE CLAMP		1		
A01	191G15-1	GUIDE BAR 12 SET		1		
A01	191T86-6	GUIDE BAR 12 SET		1		
A02	419288-5	CHAIN COVER		1	*	
A02-1	419288-5	CHAIN COVER	O	1		
A04	196740-7	SAW CHAIN SET		1	*	
A04	191T90-5	SAW CHAIN 12 SET		1		
A04-1	191H01-8	SAW CHAIN 12 SET	O	1		
A05	782023-7	WRENCH 13-16		1		
E01	8039U0-8	CAUTION TAG		1		
E01	8032W7-6	CAUTION TAG		1		
E02	8040V6-2	SOUND LABEL		1		
F01	191H01-8	SAW CHAIN 12 SET		1		
F02	191H10-7	SAW CHAIN 12 SET		1		
F03	191V90-7	SPROCKET 6 SET		1		
F04	195093-1	CHAIN OIL SET		1		
F05	195923-6	ROUND FILE 4.5 SET		1	*	
F05-1	D-70954	FILE HOLDER SET 4.5MM(11/64")	O	1		
F06	196206-7	SAW CHAIN SET		1	*	
F08	196740-7	SAW CHAIN SET		1	*	
F09	198457-8	CHAIN EDGER SET		1	*	
F09-1	D-70948	FILE HOLDER SET 4.0MM(5/32")	O	1		
F26	191G23-2	GUIDE BAR 12 SET		1		

Please state Parts No. when your order.

Print Date 30/12/2024