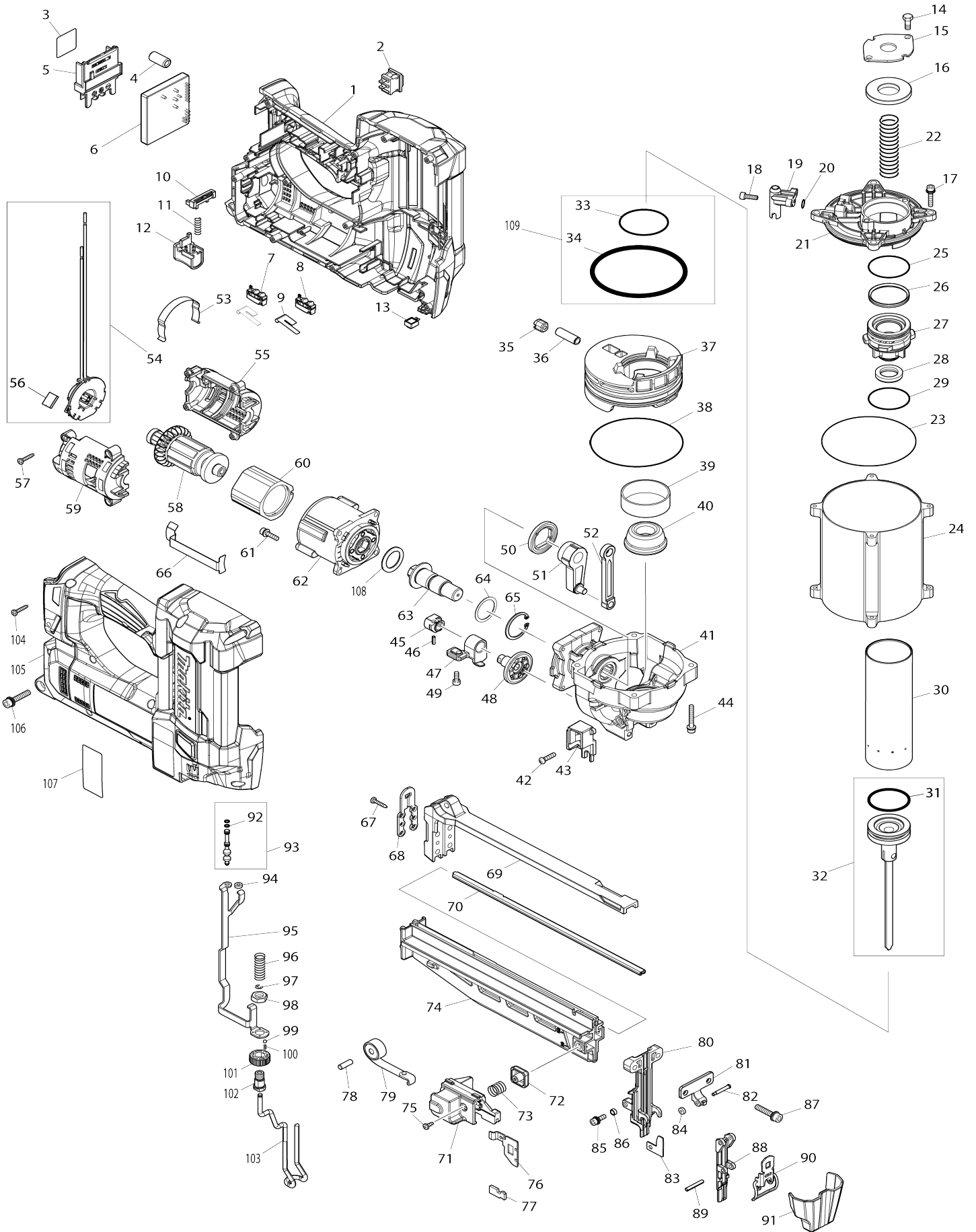


Model No.DBN600 64MM CORDLESS FINISH NAILER



Model No.DBN600 64MM CORDLESS FINISH NAILER

Item No.	Parts No.	Description	Interchangability	Q'ty	New/Old	Note1	Note2
001	183J18-7	HOUSING SET		1			
C10	263005-3	RUBBER PIN 6		2			
C20	252126-6	HEX. LOCK NUT M4-7		2			
C30	252103-8	HEX. LOCK NUT M5-8		1			
C40	816B59-7	CAUTION LABEL		1			
D10		INC. 105					
002	651533-4	SWITCH SLE6A2-33		1			
003	853V47-3	DBN600 SERIAL NO. LABEL		1			
004	688161-2	LINE FILTER		1			
005	643860-3	TERMINAL		1			
006	620581-4	CONTROLLER		1			
007	632L06-8	SWITCH UNIT		1			
008	632L07-6	SWITCH UNIT		1			
009	232409-0	LEAF SPRING		2			
010	458070-7	TRIGGER LOCK		1			
011	231372-4	COMPRESSION SPRING 5		1			
012	458071-5	TRIGGER		1			
013	620582-2	LED CIRCUIT		1			
014	265660-7	HEX.BOLT M5X12		2			
015	347293-1	SPRING BRACKET		1			
016	422214-5	REAR CUSHION		1			
017	265853-6	HEX. SOCKET HEAD BOLT M5X18		4			
018	922117-8	HEX. SOCKET HEAD BOLT M4X12		2			
019	319644-8	STEM HOLDER		1	*		
019-1	319990-9	STEM HOLDER	O	1			
020	213017-6	O RING 6		1			
021	319643-0	TOP CAP		1	*		
021-1	319989-4	TOP CAP	O	1			
022	232405-8	COMPRESSION SPRING 15		1			
023	213803-5	O RING 85		1			
024	327028-6	MAIN CYLINDER		1	*		
024-1	327028-6	MAIN CYLINDER	O	1			
025	213466-7	O RING 35		1	*		
025-1	213898-8	O-RING 35	<	1			
026	424536-9	D-RING 34		1			
027	458062-6	HEAD VALVE		1			
028	421551-4	CUSHION "P"		1			
029	213466-7	O RING 35		1	*		
029-1	213898-8	O-RING 35	<	1			
030	327029-4	CYLINDER		1	*		
030-1	327029-4	CYLINDER	O	1			
031	213475-6	O RING 34		1			
032	135945-4	DRIVER ASS'Y		1			
D10		INC. 31					
033	213558-2	O RING 42		1			
034	213863-7	O RING 80		1			
035	458074-9	STOPPER		1			

036	268287-2	PISTON PIN 8		1	*		
036-1	257A12-2	PISTON PIN 8	O	1			
037	458061-8	MAIN PISTON		1			
038	213757-6	O RING 80		1			
039	422215-3	RUBBER RING		1			
040	424440-2	FRONT CUSHION		1			
041	144883-9	CRANK CASE COMPLETE		1			
042	265638-0	PAN HEAD SCREW M4X16 WITH WR		1			
043	458063-4	ADJUSTER BASE		1			
044	251578-8	H. S. HEAD BOLT M4X28 WITH W R		4			
045	144758-2	HOLDER COMPLETE		1			
046	258018-7	SPRING PIN 2.5-9		1			
047	458064-2	BRACKET		1			
048	221583-9	SPUR GEAR 44		1			
049	922118-6	HEX. SOCKET HEAD BOLT M4X12		1			
050	221584-7	SPUR GEAR 44		1			
051	144760-5	CRANK COMPLETE		1			
052	310840-1	CONROD		1			
053	232408-2	LEAF SPRING		1			
054	539233-5	BRUSH HOLDER ASS'Y		1			
D10		INC. 56					
055	183H57-5	MOTOR HOUSING SET		1			
D10		INC. 59					
056	194427-5	CARBON BRUSH SET CB-440		1	*		
056-1	195021-6	CARBON BRUSH SET CB-440	O	1			
057	266130-9	TAPPING SCREW BIND PT 3X16		4			
058	619456-2	ARMATURE		1			
059	183H57-5	MOTOR HOUSING SET		1			
D10		INC. 55					
060	638989-8	YOKE UNIT		1			
061	266437-3	HEX. SOCKET HEAD BOLT M4X16		4			
062	126683-9	GEAR ASSY		1			
063	327030-9	SHAFT		1			
064	267108-5	FLAT WASHER 22		1			
065	962106-1	RETAINING RING R-28		1			
066	347287-6	PLATE		2			
067	266130-9	TAPPING SCREW BIND PT 3X16		2			
068	347292-3	END PLATE		1			
069	458065-0	MAGAZINE END		1			
070	347289-2	NAIL RAIL		1			
071	458072-3	PUSHER LEVER		1			
072	458073-1	BUTTON		1			
073	232407-4	COMPRESSION SPRING 9		1			
074	458066-8	MAGAZINE		1			
075	266492-5	TAPPING SCREW 3X8		1			
076	347290-7	PUSHER		1			
077	347291-5	STOPPER		1			
078	268225-4	PIN 5		1			
079	141005-2	SPIRAL SPRING COMPLETE		1			
080	310804-5	DRIVER GUIDE		1			

081	310806-1	PLATE		1		
082	256378-1	FLAT FILLISTER HD.PIN 3		1		
083	347294-9	GUIDE PLATE		1		
084	261118-4	URETHANE WASHER		1		
085	266273-7	HEX. SOCKET HEAD BOLT M4X12		2		
086	257754-2	SLEEVE 4		2		
087	922243-3	HEX. SOCKET HEAD BOLT M5X25		2		
088	310805-3	DOOR		1		
089	258033-1	SPRING PIN 3-22		1		
090	161781-2	LATCH		1		
091	458067-6	LATCH COVER		1		
092	213044-3	O RING 3		2		
093	135946-2	VALVE STEM ASS'Y		1		
D10		INC. 92				
094	262054-7	URETHANE RING 3		1		
095	347288-4	ARM		1		
096	232406-6	COMPRESSION SPRING 9		1		
097	961017-7	STOP RING E-3		1		
098	931403-6	HEX. NUT M8		1		
099	216019-1	STEEL BALL 3		1		
100	233491-2	COMPRESSION SPRING 2		1		
101	452909-6	ADJUSTER DIAL		1		
102	327033-3	ADJUSTER SHAFT		1		
103	327032-5	CONTACT TOP		1		
104	266130-9	TAPPING SCREW BIND PT 3X16		12		
105	183J18-7	HOUSING SET		1		
C10	263005-3	RUBBER PIN 6		2		
C20	252126-6	HEX. LOCK NUT M4-7		2		
C30	252103-8	HEX. LOCK NUT M5-8		1		
C40	816B59-7	CAUTION LABEL		1		
D10		INC. 1				
106	911248-8	PAN HEAD SCREW M5X28		1		
107	853V44-9	DBN600 NAME PLATE		1		
108	267148-3	FLAT WASHER 23		1		
109	199165-4	REPAIR O RINGS FOR MAIN PIST ON		1		
D10		INC. 33,34				
A01	251314-2	+ SCREW M4X12		1		
A02	346317-0	HOOK		1		
A03	424443-6	NOSE ADAPTER		2		
A04	195246-2	SAFETY GOGGLE		1	*	
A05	821552-6	CONNECTOR PLASTIC CASE (TYP E4)		1		
C10	453974-8	LATCH		4		
A06	816D15-9	DBN600ZJ PLASTIC CASE LABEL		2		
A07	816D13-3	DBN600ZJ INDICATION LABEL		1		
A08	839523-9	INNER TRAY		1		
A06	816D17-5	DBN600RTJ PLASTIC CASE LABEL		2		
A07	816D16-7	DBN600RTJ INDICATION LABEL		1		
A09	***DC18RC	DC18RC FAST CHARGER		1		
D10		COMPO-PARTS				
A10	197280-8	BATTERY BL1850B SET		2	*	

A10-1	197280-8	BATTERY BL1850B SET	0	2		
A11	450128-8	BATTERY COVER		1		

Please state Parts No. when your order.

Print Date 05/24/2024