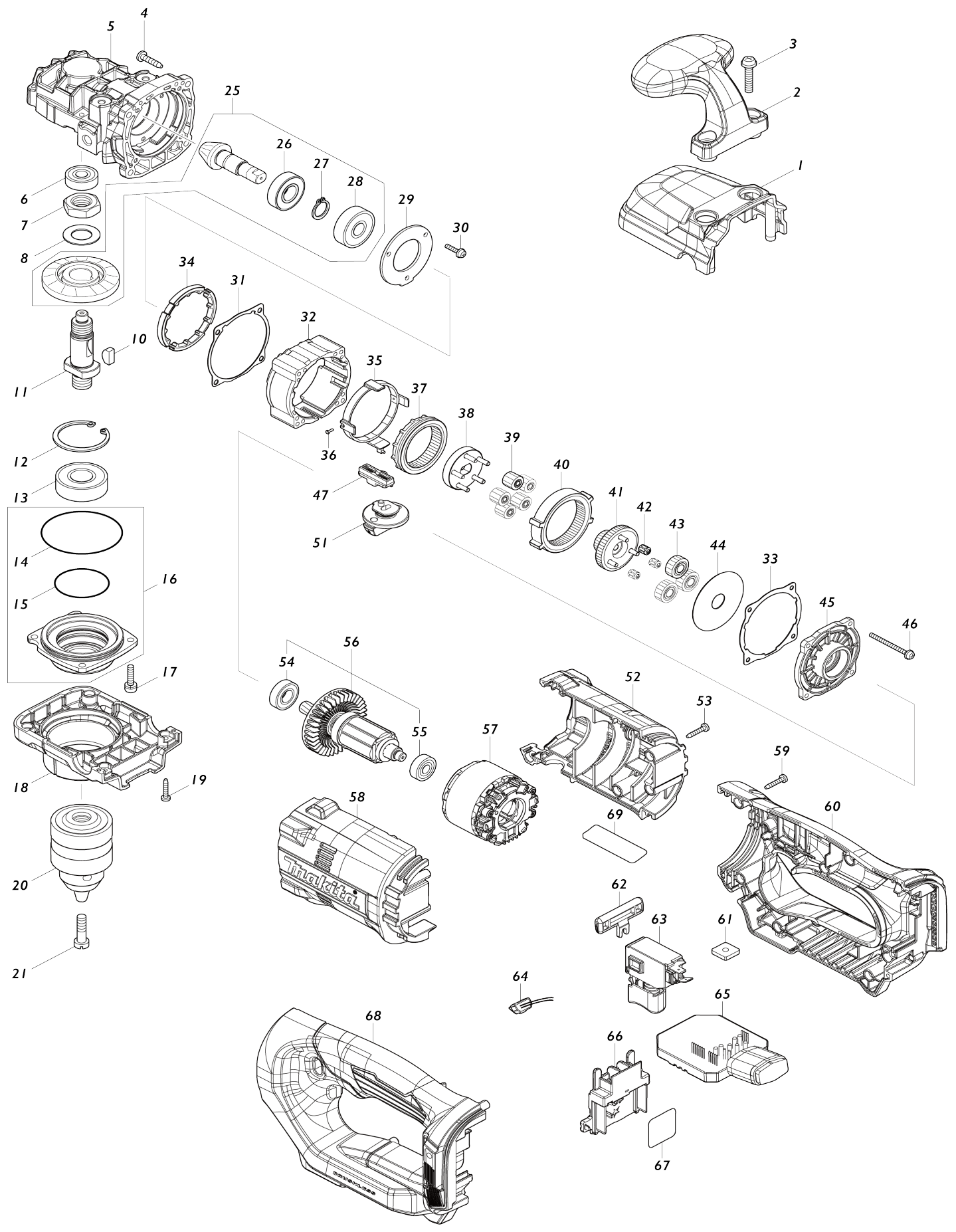


Model No.DDA450 13MM CORDLESS ANGLE DRILL



Model No.DDA450 13MM CORDLESS ANGLE DRILL

Item No.	Parts No.	Description	Interchangability	Q'ty	New/Old	Note1	Note2
001	183572-5	COVER SET		1			
D10		INC. 18					
002	413433-4	FRONT HANDLE		1			
003	911243-8	PAN HEAD SCREW M5X25		2			
004	266326-2	TAPPING SCREW 4X18		4			
005	312B07-9	GEAR HOUSING		1			
006	211032-4	BALL BEARING 608ZZ		1			
007	252299-5	HEX. NUT M14		1			
008	253536-0	FLAT WASHER 14		1			
010	254032-1	WOODRUFF KEY 5		1			
011	327774-1	SPINDLE		1			
012	962153-2	RETAINING RING R-35		1			
013	211228-7	BALL BEARING 6202DDW		1			
014	213656-2	O RING 53		1			
015	213A04-1	O RING 35		1	*		
015-1	213343-3	O RING 35	O	1			
016	136450-4	BEARING BOX ASSY		1	*		
D10		INC. 14,15					
016-1	136566-5	BEARING BOX ASS'Y	O	1			
D10		INC. 14,15					
017	911126-2	PAN HEAD SCREW M4X16		4			
018	183572-5	COVER SET		1			
D10		INC. 1					
019	266130-9	TAPPING SCREW BIND PT 3X16		4			
020	763183-4	DRILL CHUCK S13		1			
021	251425-3	- FLAT HEAD SCREW M6X22		1			
025	136451-2	SPIRAL BEVEL GEAR ASSY		1			
D10		INC. 26-28					
026	211131-2	BALL BEARING 6001DDW		1			
027	961052-5	RETAINING RING (EXT) S-12		1			
028	211067-5	BALL BEARING 6200ZZ		1			
029	285044-3	BEARING RETAINER 48		1			
030	911018-5	PAN HEAD SCREW M3X12		3			
031	422683-0	GASKET A		1			
032	413437-6	GEAR CASE		1			
033	422684-8	GASKET B		1			
034	313367-0	SPEED CHANGE CAM		1			
035	413439-2	SPEED CHANGE RING		1			
036	256952-5	PIN 1.4		2			
037	227881-9	INTERNAL SPUR GEAR 48		1			
038	141A18-9	CARRIER COMPLETE		1			
039	227880-1	SPUR GEAR 13		5			
040	227878-8	INTERNAL SPUR GEAR 62		1			
041	141A17-1	SPUR GEAR 22-48 COMPLETE		1			
042	212131-5	NEEDLE CAGE 307		3			
043	227877-0	SPUR GEAR 25		3			
044	253493-2	FLAT WASHER 12		1			

045	413438-4	MOTOR BRACKET		1		
046	911063-0	PAN HEAD SCREW M3X35		4		
047	127066-6	CHANGE LEVER ASSEMBLY		1		
C10	232518-5	COMPRESSION SPRING 4		2		
051	127282-0	SPEED CHANGE LEVER ASSEMBLY		1		
C10	213118-0	O RING 12		1		
052	183573-3	MOTOR HOUSING SET		1		
D10		INC. 58				
053	266130-9	TAPPING SCREW BIND PT 3X16		6		
054	210069-8	BALL BEARING 6900DDW		1		
055	211022-7	BALL BEARING 607ZZ		1		
056	519688-0	ROTOR ASSY		1		
D10		INC. 54,55				
057	629A60-5	STATOR		1	*	
057-1	629B61-9	STATOR	S	1		
058	183573-3	MOTOR HOUSING SET		1		
D10		INC. 52				
059	266130-9	TAPPING SCREW BIND PT 3X16		9		
060	183570-9	HANDLE SET		1		
C10	263005-3	RUBBER PIN 6		2		
C20	252126-6	HEX. LOCK NUT M4-7		1		
D10		INC. 68				
061	264002-2	SQUARE NUT M5		2		
062	419250-0	F/R CHANGE LEVER		1		
063	650710-5	SWITCH C3JW-4B		1		
064	620839-1	LED CIRCUIT		1		
065	620F07-2	CONTROLLER		1	*	
065-1	620L80-8	CONTROLLER	S	1		
066	643874-2	TERMINAL		1		
067	811E86-7	DDA450 SERIAL NO. LABEL		1		
068	183570-9	HANDLE SET		1		
C10	263005-3	RUBBER PIN 6		2		
C20	252126-6	HEX. LOCK NUT M4-7		1		
D10		INC. 60				
069	811E79-4	DDA450 NAME PLATE		1		
070	620K37-3	CONTROLLER B	S	1		
071	652119-7	PAN HEAD SCREW M2X6	S	6		
A01	158237-4	GRIP 36 COMPLETE		1		
A02	251314-2	+ SCREW M4X12		1		
A03	413434-2	KEY HOLDER		1		
A04	763259-7	CHUCK KEY S13		1		
A05	8033B2-5	DDA450ZK PLASTIC CASE LABEL		2		
A06	821856-6	PLASTIC CASE		1		
C10	162315-4	LATCH		2		
A10	127778-1	HOOK ASSEMBLY		1		
A11	911211-1	PAN HEAD SCREW M5X12		2		

Please state Parts No. when your order.

Print Date 10/24/2023