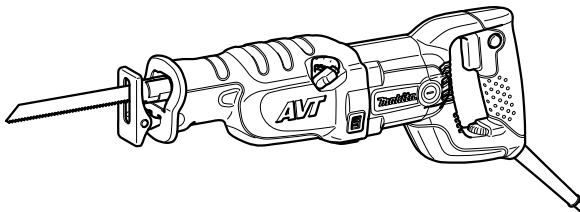




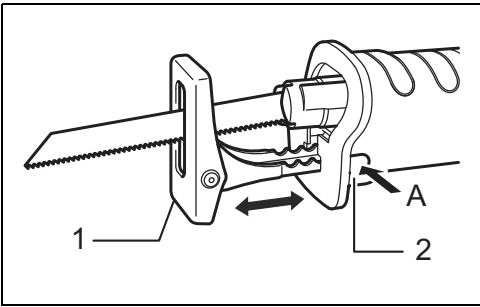
| | | |
|-----------|----------------------------|--------------------------------|
| GB | Recipro Saw | Instruction manual |
| F | Scie recipro | Manuel d'instructions |
| D | Reciprosäge | Betriebsanleitung |
| I | Seghetto diritto | Istruzioni per l'uso |
| NL | Reciprozaag | Gebruiksaanwijzing |
| E | Sierra de sable | Manual de instrucciones |
| P | Serra de sabre | Manual de instruções |
| DK | Bajonetsav | Brugsanvisning |
| GR | Παλινδρομικό πριόνι | Οδηγίες χρήσης |

JR3060T JR3070CT



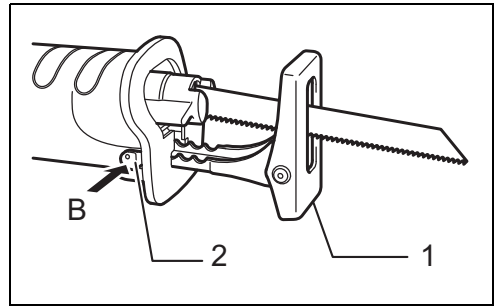
006023





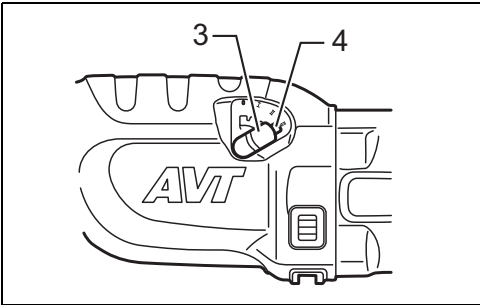
1

005784



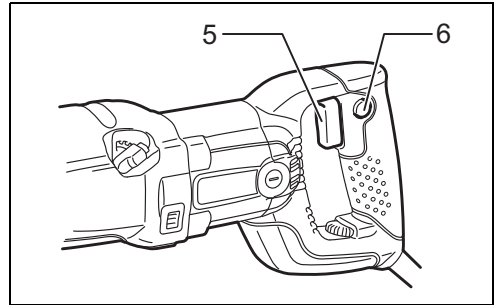
2

005785



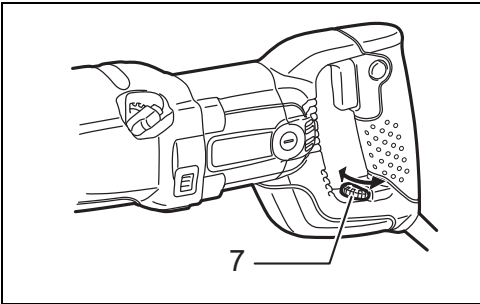
3

006024



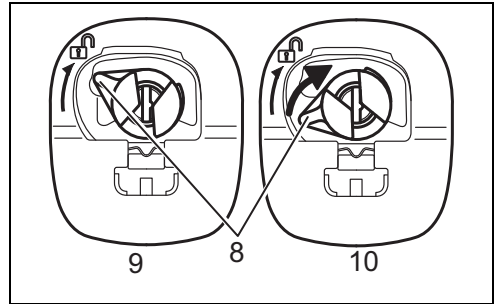
4

006185



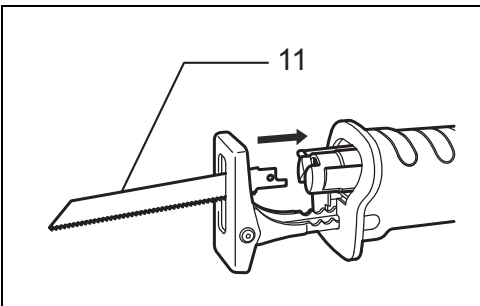
5

006025



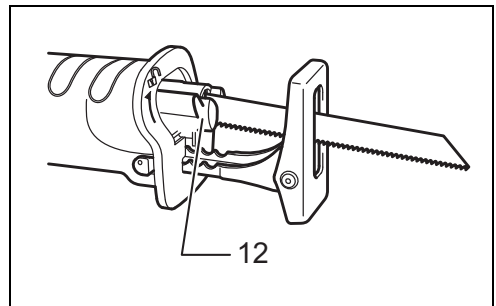
6

005787



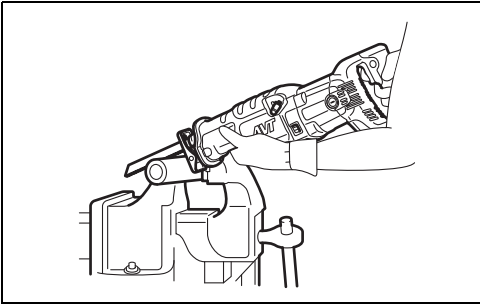
7

005788



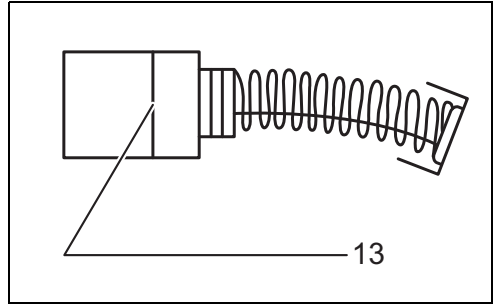
8

006665



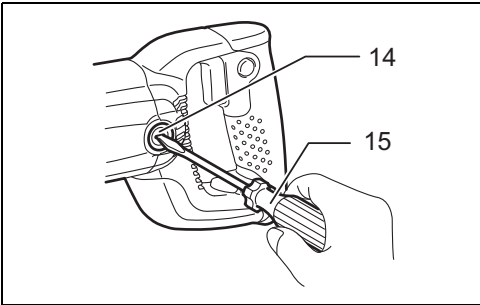
9

006186



10

001145



11

006187

ENGLISH (Original instructions)

Explanation of general view

| | | |
|------------------|----------------------------------|----------------------|
| 1 Shoe | 6 Lock button (Country specific) | 11 Blade |
| 2 Shoe button | 7 Adjusting dial | 12 Blade clamp lever |
| 3 Lever | 8 Blade clamp sleeve | 13 Limit mark |
| 4 Stopper | 9 Released position | 14 Brush holder cap |
| 5 Switch trigger | 10 Fixed position | 15 Screwdriver |

SPECIFICATIONS

| Model | JR3060T | JR3070CT |
|---|-----------|----------|
| Length of stroke | 32 mm | |
| Max. cutting capacities | Pipe | 130 mm |
| | Wood | 255 mm |
| Strokes per minute (min ⁻¹) | 0 - 2,800 | |
| Overall length | 485 mm | |
| Net weight | 4.4 kg | 4.6 kg |
| Safety class | □/II | |

- Due to our continuing program of research and development, the specifications herein are subject to change without notice.
- Specifications may differ from country to country.
- Weight according to EPTA-Procedure 01/2014

Intended use

ENE021-1

The tool is intended for sawing wood, plastic, metal and building materials with a strong impact. It is suitable for straight and curved cutting.

Power supply

ENF002-2

The tool should be connected only to a power supply of the same voltage as indicated on the nameplate, and can only be operated on single-phase AC supply. They are double-insulated and can, therefore, also be used from sockets without earth wire.

General power tool safety warnings

GEA010-2

⚠ WARNING: Read all safety warnings, instructions, illustrations and specifications provided with this power tool. Failure to follow all instructions listed below may result in electric shock, fire and/or serious injury.

Save all warnings and instructions for future reference.

The term "power tool" in the warnings refers to your mains-operated (corded) power tool or battery-operated (cordless) power tool.

Recipro saw safety warnings

GEB164-1

1. **Hold the power tool by insulated gripping surfaces, when performing an operation where the cutting accessory may contact hidden wiring or its**

- own cord.** Cutting accessory contacting a "live" wire may make exposed metal parts of the power tool "live" and could give the operator an electric shock.
2. **Use clamps or another practical way to secure and support the workpiece to a stable platform.** Holding the workpiece by hand or against your body leaves it unstable and may lead to loss of control.
3. **Always use safety glasses or goggles. Ordinary eye or sun glasses are NOT safety glasses.**
4. **Avoid cutting nails. Inspect workpiece for any nails and remove them before operation.**
5. **Do not cut oversize workpiece.**
6. **Check for the proper clearance beyond the workpiece before cutting so that the blade will not strike the floor, workbench, etc.**
7. **Hold the tool firmly.**
8. **Make sure the blade is not contacting the workpiece before the switch is turned on.**
9. **Keep hands away from moving parts.**
10. **Do not leave the tool running. Operate the tool only when hand-held.**
11. **Always switch off and wait for the blade to come to a complete stop before removing the blade from the workpiece.**
12. **Do not touch the blade or the workpiece immediately after operation; they may be extremely hot and could burn your skin.**
13. **Do not operate the tool at no-load unnecessarily.**
14. **Always use the correct dust mask/respirator for the material and application you are working with.**
15. **Some material contains chemicals which may be toxic. Take caution to prevent dust inhalation and skin contact. Follow material supplier safety data.**

SAVE THESE INSTRUCTIONS.

WARNING:

DO NOT let comfort or familiarity with product (gained from repeated use) replace strict adherence to safety rules for the subject product. MISUSE or failure to follow the safety rules stated in this instruction manual may cause serious personal injury.

FUNCTIONAL DESCRIPTION

CAUTION:

- Always be sure that the tool is switched off and unplugged before adjusting or checking function on the tool.

Adjusting the shoe (Fig. 1 & 2)

When the blade loses its cutting efficiency in one place along its cutting edge, reposition the shoe to utilize a sharp, unused portion of its cutting edge. This will help to lengthen the life of the blade. To reposition the shoe, push the shoe button in the "A" direction with a click and reposition as shown in the figure which allows you to make five-way adjustment. To secure the shoe, push the shoe button in the "B" direction with a click.

Selecting the cutting action (Fig. 3)

This tool can be operated with an orbital or a straight line cutting action. The orbital cutting action thrusts the blade forward on the cutting stroke and greatly increases cutting speed.

To change the cutting action, press the stopper and turn the lever to the desired cutting action position. Then, release the stopper to lock the lever. Refer to the table to select the appropriate cutting action.

NOTE:

- Orbital action means that the saw blade moves up and down, and back and forth at the same time. This increases the efficiency of cutting.

| Position | Cutting action | Applications |
|----------|------------------------------|--|
| 0 | Straight line cutting action | For cutting mild steel, stainless steel and plastics. For clean cuts in wood and plywood. |
| I | Small orbit cutting action | For cutting mild steel, aluminum and hard wood. |
| II | Medium orbit cutting action | For cutting wood and plywood. For fast cutting in aluminum and mild steel. |
| III | Large orbit cutting action | For fast cutting in wood and plywood. |

002525

Switch action (Fig. 4)

CAUTION:

- Before plugging in the tool, always check to see that the switch trigger actuates properly and returns to the "OFF" position when released.

To start the tool, simply pull the switch trigger. Tool speed is increased by increasing pressure on the switch trigger. Release the switch trigger to stop.

For tool with the lock-on switch

Country specific

For continuous operation, pull the switch trigger and then push in the lock button. To stop the tool from the locked position, pull the switch trigger fully, then release it.

Speed adjusting dial (For JR3070CT) (Fig. 5)

The strokes per minute can be adjusted just by turning the adjusting dial. This can be done even while the tool is running. The dial is marked 1 (lowest speed) to 6 (full speed). Turn the adjusting dial without positive stops between 1 and 6 according to your work.

Refer to the table to select the proper speed for the workpiece to be cut. However, the appropriate speed may differ with the type or thickness of the workpiece. In general, higher speeds will allow you to cut workpieces faster but the service life of the blade will be reduced.

| Number on adjusting dial | Strokes per minute |
|--------------------------|--------------------|
| 6 | 2,800 |
| 5 | 2,500 |
| 4 | 1,850 |
| 3 | 1,400 |
| 2 | 1,000 |
| 1 | 950 |

006574

| Workpiece to be cut | Number on adjusting dial |
|---------------------------------|--------------------------|
| Wood | 6 |
| Autoclaved lightweight concrete | 5 - 6 |
| Mild steel | 3 - 4 |
| Aluminum | 3 - 5 |
| Plastics | 1 - 4 |
| Stainless steel | 1 - 2 |

006584

NOTE:

- If the tool is operated continuously at low speeds for a long period of time, the operation life of the motor will be reduced.
- The speed adjusting dial can be turned only as far as 6 and back to 1. Do not force it past 6 or 1, or the speed adjusting function may no longer work.

The tools equipped with electronic function are easy to operate because of the following features.

Constant speed control

Electronic speed control for obtaining constant speed. Possible to get fine finish, because the rotating speed is kept constant even under load condition.

Soft start feature

Safety and soft start because of suppressed starting shock.

ASSEMBLY


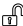
CAUTION:

- Always be sure that the tool is switched off and unplugged before carrying out any work on the tool.

Installing or removing the saw blade

CAUTION:

- Always clean out all chips or foreign matter adhering to the blade, blade clamp and/or slider. Failure to do so may cause insufficient tightening of the blade, resulting in a serious injury.


To install the saw blade, always make sure that the blade clamp lever is in released position  on the insulation cover before inserting the saw blade. If the blade clamp lever is in fixed position, rotate the blade clamp lever in the direction of the arrow so that it can be locked at the released position . (Fig. 6)

Insert the saw blade into the blade clamp as far as it will go. The blade clamp lever rotates and the saw blade is fixed. Make sure that the saw blade cannot be extracted even though you try to pull it out. (Fig. 7)



NOTE:

- If you do not insert the saw blade deep enough, the saw blade may be ejected unexpectedly during operation. This can be extremely dangerous.

If the lever is positioned inside the tool, switch on the tool just a second to let the blade out as shown in the figure. Switch off and unplug the tool from the mains.

To remove the saw blade, rotate the blade clamp lever in the direction of the arrow fully. The saw blade is removed and the blade clamp lever is fixed at the released position . (Fig. 8)

NOTE:

- Keep hands and fingers away from the lever during the switching operation. Failure to do so may cause personal injuries.
- If you remove the saw blade without rotating the blade clamp lever fully, the lever may not be locked in the released position . In this case, rotate the blade clamp lever fully again, then make sure that the blade clamp lever fully again, then make sure that the blade clamp lever locked at the released position .

OPERATION (Fig. 9)

CAUTION:

- Always press the shoe firmly against the workpiece during operation. If the shoe is removed or held away from the workpiece during operation, strong vibration and/or twisting will be produced, causing the blade to snap dangerously.

- Always wear gloves to protect your hands from hot flying chips when cutting metal.
- Be sure to always wear suitable eye protection which conforms with current national standards.
- Always use a suitable coolant (cutting oil) when cutting metal. Failure to do so will cause premature blade wear.

Press the shoe firmly against the workpiece. Do not allow the tool to bounce. Bring the blade into light contact with the workpiece. First, make a pilot groove using a slower speed. Then use a faster speed to continue cutting.

MAINTENANCE

CAUTION:

- Always be sure that the tool is switched off and unplugged before attempting to perform inspection or maintenance.
- Never use gasoline, benzine, thinner, alcohol or the like. Discoloration, deformation or cracks may result.

Replacing carbon brushes (Fig. 10)

Remove and check the carbon brushes regularly. Replace when they wear down to the limit mark. Keep the carbon brushes clean and free to slip in the holders. Both carbon brushes should be replaced at the same time. Use only identical carbon brushes.

Use a screwdriver to remove the brush holder caps. Take out the worn carbon brushes, insert the new ones and secure the brush holder caps. (Fig. 11)

To maintain product SAFETY and RELIABILITY, repairs, any other maintenance or adjustment should be performed by Makita Authorized Service Centers, always using Makita replacement parts.

OPTIONAL ACCESSORIES

CAUTION:

- These accessories or attachments are recommended for use with your Makita tool specified in this manual. The use of any other accessories or attachments might present a risk of injury to persons. Only use accessory or attachment for its stated purpose.

If you need any assistance for more details regarding these accessories, ask your local Makita Service Center.

- Recipro saw blades
- Plastic carrying case

NOTE:

- Some items in the list may be included in the tool package as standard accessories. They may differ from country to country.

Noise

ENG905-1

The typical A-weighted noise level determined according to EN62841-2-11:

Model JR3060T

Sound pressure level (L_{pA}): 90 dB (A)

Sound power level (L_{WA}): 98 dB (A)

Uncertainty (K): 3 dB (A)

Model JR3070CT

Sound pressure level (L_{pA}): 91 dB (A)

Sound power level (L_{WA}): 99 dB (A)

Uncertainty (K): 3 dB (A)

Declarations of Conformity

For European countries only

The Declarations of conformity are included in Annex A to this instruction manual.

ENG907-1

- The declared noise emission value(s) has been measured in accordance with a standard test method and may be used for comparing one tool with another.
- The declared noise emission value(s) may also be used in a preliminary assessment of exposure.

WARNING:

- **Wear ear protection.**
- **The noise emission during actual use of the power tool can differ from the declared value(s) depending on the ways in which the tool is used especially what kind of workpiece is processed.**
- **Be sure to identify safety measures to protect the operator that are based on an estimation of exposure in the actual conditions of use (taking account of all parts of the operating cycle such as the times when the tool is switched off and when it is running idle in addition to the trigger time).**

Vibration

ENG900-1

The vibration total value (tri-axial vector sum) determined according to EN62841-2-11:

Model JR3060T

Work mode: cutting boards

Vibration emission ($a_{h,B}$): 15.5 m/s²

Uncertainty (K): 2.0 m/s²

Work mode: cutting wooden beams

Vibration emission ($a_{h,WB}$): 21.0 m/s²

Uncertainty (K): 1.5 m/s²

Model JR3070CT

Work mode: cutting boards

Vibration emission ($a_{h,B}$): 9.5 m/s²

Uncertainty (K): 1.5 m/s²

Work mode: cutting wooden beams

Vibration emission ($a_{h,WB}$): 10.5 m/s²

Uncertainty (K): 1.5 m/s²

ENG901-2

- The declared vibration total value(s) has been measured in accordance with a standard test method and may be used for comparing one tool with another.
- The declared vibration total value(s) may also be used in a preliminary assessment of exposure.

WARNING:

- **The vibration emission during actual use of the power tool can differ from the declared value(s) depending on the ways in which the tool is used especially what kind of workpiece is processed.**
- **Be sure to identify safety measures to protect the operator that are based on an estimation of exposure in the actual conditions of use (taking account of all parts of the operating cycle such as the times when the tool is switched off and when it is running idle in addition to the trigger time).**

Descriptif

| | | |
|------------------------|--|---------------------------------|
| 1 Sabot | 6 Bouton de verrouillage (selon le pays) | 10 Position d'immobilisation |
| 2 Bouton du sabot | 7 Cadran de réglément | 11 Lame |
| 3 Levier | 8 Collet de serrage de la lame | 12 Levier de serrage de la lame |
| 4 Gâchette de sécurité | 9 Position ouverte | 13 Trait de limite d'usure |
| 5 Gâchette | | 14 Bouchon du porte-charbon |
| | | 15 Tournevis |

ISOLATION DOUBLE

| Modèle | | JR3060T | JR3070CT |
|--|-------|-----------|----------|
| Longueur de course | | 32 mm | |
| Capacités de coupe maximales | Tuyau | 130 mm | |
| | Bois | 255 mm | |
| Nombre de courses/mn. (min ⁻¹) | | 0 - 2 800 | |
| Longueur totale | | 485 mm | |
| Poids net | | 4,4 kg | 4,6 kg |
| Classe de sûreté | | □/II | |

- Etant donné l'évolution constante de notre programme de recherche et de développement, les spécifications contenues dans ce manuel sont sujettes à des modifications sans préavis.
- Les spécifications peuvent varier suivant les pays.
- Poids conforme à la procédure EPTA 01/2014

Utilisation prévue ENE021-1

L'outil est conçu pour scier le bois, le plastique, le métal et les matériaux de construction avec une grande force d'impact. Il convient bien aux coupes rectilignes ou curvilignes.

Alimentation ENF002-2

L'outil ne doit être raccordé qu'à une alimentation de la même tension que celle qui figure sur la plaque signalétique, et il ne peut fonctionner que sur un courant secteur monophasé. Réalisé avec une double isolation, il peut de ce fait être alimenté sans mise à la terre.

Consignes de sécurité générales pour outils électriques GEA010-2

⚠ AVERTISSEMENT : Veuillez lire les consignes de sécurité, instructions, illustrations et spécifications qui accompagnent cet outil électrique. Le non-respect de toutes les instructions indiquées ci-dessous peut entraîner une électrocution, un incendie et/ou de graves blessures.

Conservez toutes les mises en garde et instructions pour référence ultérieure.

Le terme « outil électrique » dans les avertissements fait référence à l'outil électrique alimenté par le secteur (avec cordon d'alimentation) ou à l'outil électrique fonctionnant sur batterie (sans cordon d'alimentation).

Consignes de sécurité pour scie recipro GEB164-1

1. **Tenez l'outil électrique par une surface de prise isolée, lorsque vous effectuez une tâche où l'accessoire de coupe pourrait toucher un câblage caché ou son propre cordon d'alimentation.** Le contact de l'accessoire de découpe avec un fil sous tension peut transmettre du courant dans les pièces métalliques exposées de l'outil électrique et électrocuter l'utilisateur.
2. **Utilisez des dispositifs de serrage ou un autre moyen pratique pour fixer la pièce sur une surface de travail stable.** La pièce sera instable et vous risquez d'en perdre la maîtrise si vous la tenez dans vos mains ou l'appuyez contre votre corps.
3. **Portez toujours des lunettes de sécurité. Les lunettes ordinaires et les lunettes de soleil NE sont PAS des lunettes de sécurité.**
4. **Évitez de couper les clous. Avant de commencer le travail, inspectez la pièce et retirez tous les clous.**
5. **Ne coupez pas des pièces trop grandes.**
6. **Avant d'effectuer la coupe, assurez-vous que le dégagement sous la pièce est suffisant pour que la lame ne heurte pas une surface dure (sol, établi, etc.).**
7. **Tenez l'outil fermement.**
8. **Assurez-vous que la lame n'est pas en contact avec la pièce avant de mettre l'outil en marche.**
9. **Gardez vos mains à l'écart des pièces en mouvement.**

10. **Ne vous éloignez pas en laissant l'outil tourner. Ne le faites fonctionner que lorsque vous l'avez bien en main.**
11. **Avant de retirer la lame de la pièce, mettez toujours l'outil hors tension et attendez que la lame soit complètement immobilisée.**
12. **Ne touchez ni la lame ni la pièce immédiatement après la coupe ; elles peuvent être très chaudes et vous risquez de vous brûler.**
13. **Ne faites pas tourner l'outil à vide inutilement.**
14. **Portez toujours un masque antipoussières/un respirateur adapté au matériau travaillé et à l'application utilisée.**
15. **Certains matériaux contiennent des produits chimiques qui peuvent être toxiques. Prenez garde de ne pas avaler la poussière et évitez tout contact avec la peau. Suivez les données de sécurité du fournisseur du matériau.**

CONSERVEZ CES INSTRUCTIONS.

⚠ AVERTISSEMENT :

NE vous laissez PAS tromper (au fil d'une utilisation répétée) par un sentiment d'aisance et de familiarité avec le produit, en négligeant le respect rigoureux des consignes de sécurité qui accompagnent le produit en question. La MAUVAISE UTILISATION de l'outil ou l'ignorance des consignes de sécurité indiquées dans ce mode d'emploi peut entraîner de graves blessures.

DESCRIPTION DU FONCTIONNEMENT

ATTENTION :

- Vérifiez que l'outil est hors tension et débranché avant de l'ajuster ou de vérifier son fonctionnement.

Réglage du sabot (Fig. 1 et 2)

Lorsque la lame perd de son efficacité de coupe sur une portion de son tranchant, repositionnez le sabot de façon à utiliser une autre portion intacte. Cela vous permettra d'allonger la durée d'usage de votre lame. Pour repositionner le sabot sur l'une des cinq positions de réglage, poussez le bouton du sabot dans le sens "A" jusqu'à ce qu'il émette un léger bruit sec, et procédez comme illustré sur la figure. Pour immobiliser le sabot, poussez le bouton du sabot dans le sens "B" jusqu'à ce qu'il émette un léger bruit sec.

Choix de la coupeure (Fig. 3)

Cet outil peut réaliser une coupeure en courbe ou en ligne droite. La coupeure en courbe pousse la lame dans le sens de la coupe et augmente grandement la vitesse de coupeure.

Le mode de coupeure se change en poussant la gâchette et en tournant le levier dans la position de coupeure désirée. Ensuite, lâcher la gâchette pour bloquer le levier. Se référer à la table pour choisir la coupeure appropriée.

NOTE :

- Coupeure en courbe signifie que la scie se déplace verticalement et horizontalement à la fois. Cela améliore l'efficacité de la coupeure.

| Position | Coupeure | Applications |
|----------|----------------------------|--|
| 0 | Coupeure en ligne droite | Pour couper l'acier doux, l'acier inoxydable et les matières plastiques. Pour couper le bois et le contreplaqué. |
| I | Coupeure en courbe étroite | Pour couper l'acier doux, l'aluminium et le bois dur. |
| II | Coupeure en courbe moyenne | Pour couper le bois et le contreplaqué. Pour coupeure rapide de l'aluminium et l'acier doux. |
| III | Coupeure en courbe élargie | Pour coupeure rapide de bois et de contreplaqué. |

002525

Interrupteur (Fig. 4)

ATTENTION :

- Avant de brancher votre outil, vérifiez toujours que la gâchette fonctionne correctement et revient sur la position "OFF" une fois relâchée.

Pour démarrer l'outil, il suffit d'enclencher la gâchette. La vitesse de l'outil augmente à mesure que vous augmentez la pression sur la gâchette. Pour l'arrêter, relâchez la gâchette.

Pour les outils avec interrupteur de verrouillage

Propre au pays

Pour un fonctionnement continu, enclenchez la gâchette et poussez le bouton de verrouillage. Pour arrêter l'outil sur la position verrouillée, enclenchez à fond la gâchette puis relâchez-la.

Cadran de contrôle vitesse (Pour JR3070CT) (Fig. 5)

Les coups de rotation par minute peuvent se modifier en tournant le cadran de réglage. Cela peut s'effectuer durant la marche de l'outil. Le cadran mesure du 1 (vitesse minimum) jusqu'au 6 (vitesse maximum). Tourner le cadran de réglage sans pause entre le 1 et le 6 selon la tâche.

Référez-vous au tableau pour sélectionner la vitesse appropriée à la pièce à couper. La vitesse adéquate peut toutefois varier suivant le type de matériau ou l'épaisseur de la pièce. En général, les vitesses rapides permettent de couper les pièces plus rapidement, mais cela réduit la durée de service de la lame.

| Nombre sur le cadran de réglage | Coups de rotations par minute |
|---------------------------------|-------------------------------|
| 6 | 2 800 |
| 5 | 2 500 |
| 4 | 1 850 |
| 3 | 1 400 |
| 2 | 1 000 |
| 1 | 950 |

006574

| Pièce à couper | Numéro sur le cadran de réglage |
|-----------------------|---------------------------------|
| Bois | 6 |
| Béton léger autoclavé | 5 - 6 |
| Acier doux | 3 - 4 |
| Aluminium | 3 - 5 |
| Plastiques | 1 - 4 |
| Acier inoxydable | 1 - 2 |

006584

NOTE :

- Si l'outil fonctionne de façon continue à des vitesses basses pendant une période assez longue, la durée de vie du moteur sera réduite.
- Le cadran de réglage de la vitesse ne peut pas être tourné plus haut que 6 ou plus bas que 1. N'essayez pas de le placer au-delà de 6 ou en dessous de 1, sinon le réglage de la vitesse risque de ne plus fonctionner.

Les caractéristiques suivantes des outils munis de fonctions électroniques facilitent leur utilisation.

Commande de vitesse constante

La commande de vitesse électronique permet d'obtenir une vitesse constante. La vitesse étant maintenue constante même dans des conditions de lourde charge de travail, il est possible d'atteindre une grande finesse de finition.

Fonction de démarrage en douceur

La suppression du choc de démarrage permet un démarrage en douceur et sans danger.

ASSEMBLAGE


ATTENTION :


- Avant toute intervention, assurez-vous que le contact est coupé et l'outil débranché.

Installation ou retrait de la lame

ATTENTION :

- Nettoyez toujours tous les copeaux ou les corps étrangers qui adhèrent à la lame, à la douille porte-lame et/ou à la tige. Sinon, la lame risque de ne pas être assez serrée, ce qui pourrait provoquer des blessures graves.

Pour installer la lame de la scie, veillez toujours à ce que le levier de serrage de la lame soit en position non-enclenchée  sur le couvercle d'isolation avant d'insérer

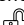
la lame. Si le levier de serrage de la lame est en position enclenchée, faites pivoter le levier de serrage de la lame dans la direction de la flèche afin de le fixer sur la position non-enclenchée . (Fig. 6)

Insérez la lame à fond dans le collet de serrage de la lame. Le levier du collet de serrage tourne et immobilise la lame. Tirez sur la lame pour vous assurer qu'il n'est pas possible de la retirer. (Fig. 7)



NOTE :

- Si la lame n'est pas insérée assez profondément, elle risque de s'éjecter de manière inattendue pendant que l'outil fonctionne. Cela est extrêmement dangereux.

Si le levier est positionné à l'intérieur de l'outil, mettez sous tension l'outil seulement une seconde pour laisser la lame sortir comme illustré dans la figure.

Mettez l'outil hors tension et débranchez-le du secteur. Pour retirer la lame de la scie, faites complètement pivoter le levier de serrage de la lame dans la direction de la flèche. La lame se retire et le levier de serrage de la lame se fixe dans la position non-enclenchée . (Fig. 8)

NOTE :

- Conservez les mains et les doigts loin du levier durant l'opération de commutation. Ne pas le faire peut résulter en des blessures corporelles.
- Il est possible que le levier ne se fixe pas sur la position non-enclenchée  si vous retirez la lame de la scie sans faire complètement pivoter le levier de serrage de la lame. Si le cas se présente, de nouveau faites pivoter à fond le levier de serrage de la lame puis veillez à ce que le levier de serrage de la lame soit bloqué en position non-enclenchée .

FONCTIONNEMENT (Fig. 9)

ATTENTION :

- Appliquez toujours fermement le sabot contre la pièce pendant l'utilisation. Si le sabot est retiré ou éloigné de la pièce pendant la coupe, cela causera de fortes vibrations et/ou torsions, faisant claquer la lame dangereusement.
 - Portez toujours des gants afin de protéger vos mains des particules brûlantes qui peuvent sauter quand vous sciez du métal.
 - Assurez-vous de toujours porter un dispositif de protection des yeux adéquat, conforme aux normes nationales en vigueur.
 - Servez-vous toujours d'un réfrigérant (huile de coupe) adapté, quand vous sciez du métal. Faute de cette précaution, vous userez prématurément votre lame.
- Appuyez fermement le sabot contre le matériau à scier. Ne laissez pas la scie sauter. Mettez la lame Légèrement en contact avec le matériau. Pratiquez d'abord un sillon pilote en faisant fonctionner l'outil à vitesse réduite. Augmentez ensuite la vitesse pour poursuivre la coupe.

ENTRETIEN

ATTENTION :

- Assurez-vous toujours que le contact est coupé et l'outil débranché avant d'effectuer tout travail d'inspection ou d'entretien.

- N'utilisez jamais d'essence, de benzine, de diluant, d'alcool ou de produit similaire. Ces produits risquent de provoquer des décolorations, des déformations ou des fissures.

Remplacement des charbons (Fig. 10)

Retirez et vérifiez les charbons régulièrement. Remplacez-les lorsqu'ils atteignent le repère d'usure. Gardez les charbons propres et libres de glisser dans les porte-charbons. Les deux charbons doivent être remplacés simultanément.

Utilisez uniquement des charbons identiques. Retirez les bouchons de porte-charbon à l'aide d'un tournevis.

(Fig. 11)

Enlevez les charbons usés, insérez les neufs et remettez en place les bouchons. Pour assurer la SECURITÉ et la FIABILITÉ du produit, toute réparation et tout travail d'entretien ou de réglage doivent être effectués par un Centre d'Entretien autorisé Makita, avec des pièces de rechange Makita.

ACCESSOIRES FOURNIS EN OPTION

⚠ ATTENTION :

- Ces accessoires ou pièces complémentaires sont recommandés pour être utilisés avec l'outil Makita spécifié dans ce mode d'emploi. L'utilisation de tout autre accessoire ou pièce complémentaire peut comporter un risque de blessure. N'utilisez les accessoires ou pièces qu'aux fins auxquelles ils ont été conçus.

Pour obtenir plus de détails sur ces accessoires, contactez votre Centre de service local Makita.

- Lames de scie réciproc
- Malette de transport

REMARQUE :

- Certains éléments de la liste peuvent être inclus en tant qu'accessoires standard dans le coffret de l'outil envoyé. Ils peuvent varier suivant les pays.

Bruit

ENG905-1

Les niveaux de bruit pondéré A typiques ont été mesurés selon la norme EN62841-2-11 :

Modèle JR3060T

Niveau de pression sonore (L_{pA}) : 90 dB (A)
Niveau de puissance sonore (L_{WA}) : 98 dB (A)
Incertitude (K) : 3 dB (A)

Modèle JR3070CT

Niveau de pression sonore (L_{pA}) : 91 dB (A)
Niveau de puissance sonore (L_{WA}) : 99 dB (A)
Incertitude (K) : 3 dB (A)

ENG907-1

- La ou les valeurs d'émission de bruit déclarées ont été mesurées conformément à la méthode de test standard et peuvent être utilisées pour comparer les outils entre eux.
- La ou les valeurs d'émission de bruit déclarées peuvent aussi être utilisées pour l'évaluation préliminaire de l'exposition.

⚠ AVERTISSEMENT :

- **Portez un serre-tête antibruit.**
- **L'émission de bruit lors de l'usage réel de l'outil électrique peut être différente de la ou des valeurs déclarées, suivant la façon dont l'outil est utilisé, particulièrement selon le type de pièce usinée.**
- **Les mesures de sécurité à prendre pour protéger l'utilisateur doivent être basées sur une estimation de l'exposition dans des conditions réelles d'utilisation (en tenant compte de toutes les composantes du cycle d'utilisation, comme par exemple le moment de sa mise hors tension, lorsqu'il tourne à vide et le moment de son déclenchement).**

Vibration

ENG900-1

La valeur totale de vibration (somme du vecteur triaxial) déterminée selon la norme EN62841-2-11 :

Modèle JR3060T

Mode de fonctionnement : coupe de planches
Émission de vibrations ($a_{h,B}$) : 15,5 m/s²
Incertitude (K) : 2,0 m/s²

Mode de fonctionnement : découpe de poutres en bois

Émission de vibrations ($a_{h,WB}$) : 21,0 m/s²
Incertitude (K) : 1,5 m/s²

Modèle JR3070CT

Mode de fonctionnement : coupe de planches
Émission de vibrations ($a_{h,B}$) : 9,5 m/s²
Incertitude (K) : 1,5 m/s²

Mode de fonctionnement : découpe de poutres en bois

Émission de vibrations ($a_{h,WB}$) : 10,5 m/s²
Incertitude (K) : 1,5 m/s²

ENG901-2

- La ou les valeurs de vibration totales déclarées ont été mesurées conformément à la méthode de test standard et peuvent être utilisées pour comparer les outils entre eux.
- La ou les valeurs de vibration totales déclarées peuvent aussi être utilisées pour l'évaluation préliminaire de l'exposition.

⚠ AVERTISSEMENT :

- **L'émission de vibrations lors de l'usage réel de l'outil électrique peut être différente de la ou des valeurs déclarées, suivant la façon dont l'outil est utilisé, particulièrement selon le type de pièce usinée.**
- **Les mesures de sécurité à prendre pour protéger l'utilisateur doivent être basées sur une estimation de l'exposition dans des conditions réelles d'utilisation (en tenant compte de toutes les composantes du cycle d'utilisation, comme par exemple le moment de sa mise hors tension, lorsqu'il tourne à vide et le moment de son déclenchement).**

Déclarations de conformité

Pour les pays européens uniquement

Les déclarations de conformité sont fournies en Annexe A à ce mode d'emploi.

Übersicht

| | | |
|--------------|------------------------------------|----------------------------|
| 1 Schuh | 6 Arretierknopf (länderspezifisch) | 11 Klinge |
| 2 Schuhtaste | 7 Einstellrad | 12 Blattklemmhebel |
| 3 Hebel | 8 Sägeblatt-Klemmring | 13 Grenzmarkierung |
| 4 Anschlag | 9 Freigabeposition | 14 Bürstenhalterverschluss |
| 5 Schalter | 10 Feste Position | 15 Schraubenzieher |

TECHNISCHE DATEN

| Modell | | JR3060T | JR3070CT |
|------------------------------|-------|-----------|----------|
| Hubhöhe | | 32 mm | |
| Max. Schnitttiefen | Rohre | 130 mm | |
| | Holz | 255 mm | |
| Hubzahl (min ⁻¹) | | 0 - 2.800 | |
| Gesamtlänge | | 485 mm | |
| Nettogewicht | | 4,4 kg | 4,6 kg |
| Sicherheitsklasse | | □/II | |

- Aufgrund unserer beständigen Forschungen und Weiterentwicklungen sind Änderungen an den hier angegebenen Technischen Daten ohne Vorankündigung vorbehalten.
- Die Technischen Daten können in den einzelnen Ländern voneinander abweichen.
- Gewicht entsprechend EPTA-Verfahren 01/2014

Vorgesehene Verwendung ENE021-1

Die Maschine ist für das Sägen von Holz, Kunststoff, Metall und stark verdichtetem Baumaterial vorgesehen. Sie eignet sich für gerade und gekrümmte Schnitte.

Stromversorgung ENF002-2

Das Werkzeug darf nur an eine Stromversorgung mit Einphasen-Wechselstrom mit der auf dem Typenschild angegebenen Spannung angeschlossen werden. Das Werkzeug verfügt über ein doppelt isoliertes Gehäuse und kann daher auch an einer Stromversorgung ohne Schutzkontakt betrieben werden.

Allgemeine Sicherheitswarnungen für Elektrowerkzeuge GEA010-2

⚠️ WARNUNG: Lesen Sie alle mit diesem Elektrowerkzeug gelieferten Sicherheitswarnungen, Anweisungen, Abbildungen und technischen Daten durch. Eine Missachtung der unten aufgeführten Anweisungen kann zu einem elektrischen Schlag, Brand und/oder schweren Verletzungen führen.

Bewahren Sie alle Warnungen und Anweisungen für spätere Bezugnahme auf.

Der Ausdruck „Elektrowerkzeug“ in den Warnhinweisen bezieht sich auf Ihr mit Netzstrom (mit Kabel) oder Akku (ohne Kabel) betriebenes Elektrowerkzeug.

Sicherheitswarnungen für Reciprosäge GEB164-1

1. **Halten Sie das Elektrowerkzeug nur an den isolierten Griffflächen, wenn Sie Arbeiten ausführen, bei denen die Gefahr besteht, dass das Schneidwerkzeug verborgene Kabel oder das eigene Kabel kontaktiert.** Bei Kontakt mit einem Strom führenden Kabel können die freiliegenden Metallteile des Elektrowerkzeugs ebenfalls Strom führend werden, so dass der Benutzer einen elektrischen Schlag erleiden kann.
2. **Verwenden Sie Klemmen oder eine andere praktische Methode, um das Werkstück auf einer stabilen Unterlage zu sichern und abzustützen.** Wenn Sie das Werkstück nur von Hand oder gegen Ihren Körper halten, befindet es sich in einer instabilen Lage, die zum Verlust der Kontrolle führen kann.
3. **Tragen Sie stets eine Sicherheits- oder Schutzbrille. Eine gewöhnliche Brille oder Sonnenbrille ist KEIN Ersatz für eine Sicherheitsbrille.**
4. **Vermeiden Sie das Schneiden von Nägeln. Untersuchen Sie das Werkstück auf Nägel, und entfernen Sie diese vor der Bearbeitung.**
5. **Schneiden Sie keine übergroßen Werkstücke.**
6. **Vergewissern Sie sich vor dem Schneiden, dass genügend Platz hinter dem Werkstück vorhanden ist, damit das Sägeblatt nicht auf den Boden, die Werkbank usw. trifft.**
7. **Halten Sie das Werkzeug mit festem Griff.**
8. **Vergewissern Sie sich vor dem Einschalten des Werkzeugs, dass das Sägeblatt nicht das Werkstück berührt.**

9. Halten Sie die Hände von beweglichen Teilen fern.
10. Lassen Sie das Werkzeug nicht unbeaufsichtigt laufen. Benutzen Sie das Werkzeug nur mit Handhaltung.
11. Schalten Sie das Werkzeug stets aus, und warten Sie, bis das Sägeblatt zum vollständigen Stillstand kommt, bevor Sie das Sägeblatt aus dem Werkstück entfernen.
12. Vermeiden Sie eine Berührung des Sägeblatts oder des Werkstücks unmittelbar nach der Bearbeitung, weil sie dann möglicherweise noch sehr heiß sind und Hautverbrennungen verursachen können.
13. Lassen Sie das Werkzeug nicht unnötig im Leerlauf laufen.
14. Verwenden Sie stets die korrekte Staubschutz-/Atemmaske für das jeweilige Material und die Anwendung.
15. Manche Materialien können giftige Chemikalien enthalten. Treffen Sie Vorsichtsmaßnahmen, um das Einatmen von Arbeitsstaub und Hautkontakt zu verhüten. Befolgen Sie die Sicherheitsdaten des Materiallieferanten.

DIESE ANWEISUNGEN AUFBEWAHREN.

WARNUNG:

Lassen Sie sich NICHT durch Bequemlichkeit oder Vertrautheit mit dem Produkt (durch wiederholten Gebrauch erworben) von der strikten Einhaltung der Sicherheitsregeln für das vorliegende Produkt abhalten. MISSBRAUCH oder Missachtung der Sicherheitsvorschriften in dieser Anleitung können schwere Verletzungen verursachen.

FUNKTIONSBESCHREIBUNG

VORSICHT:

- Vergewissern Sie sich vor jeder Einstellung oder Funktionsprüfung der Maschine stets, dass sie ausgeschaltet und vom Stromnetz getrennt ist.

Einstellen des Schuhs (Abb. 1 und 2)

Wenn das Sägeblatt an einer Stelle seiner Schneide abgenutzt ist, verändern Sie die Position des Schuhs, um einen scharfen, unbenutzten Teil der Schneide zu verwenden. Dadurch wird die Lebensdauer des Sägeblatts verlängert. Zum Verstellen des Führungsschuhs drücken Sie den Schuhknopf in Richtung „A“, bis er einrastet, wie in der Abbildung gezeigt, so dass sich der Schuh auf eine der fünf Raststellungen verschieben lässt. Zur Sicherung des Führungsschuhs drücken Sie den Schuhknopf in Richtung „B“, bis er einrastet.

Wahl der Schnitarbeit (Abb. 3)

Dieses Werkzeug kann für einen orbitalen oder geraden Schnitt verwendet werden. Beim orbitalen Schnitt wird die Klinge beim Schnittgang nach vorne bewegt und die Schnittgeschwindigkeit stark erhöht.

Um den Schneidvorgang zu ändern, drücken Sie den Anschlag, und drehen Sie den Hebel auf die Position für den gewünschten Schneidvorgang. Geben Sie den

Anschlag dann frei, um den Hebel zu sperren. Sehen Sie bitte in der Tabelle nach, welche Schneidvorgänge verfügbar sind.

HINWEIS:

- Beim orbitalen Schnitt bewegt sich die Klinge gleichzeitig nach oben und unten sowie vor und zurück. Dadurch wird die Wirksamkeit beim Schneiden erhöht.

| Position | Schneidvorgang | Anwendungen |
|----------|--------------------------------|---|
| 0 | Gerader Schnitt | Zum Schneiden von Weichstahl, Edelstahl und Plastik. Für saubere Schnitte in Holz und Sperrholz. |
| I | Kleiner orbitaler Schnitt | Zum Schneiden von Weichstahl, Aluminium und Hartholz. |
| II | Mittelgroßer orbitaler Schnitt | Zum Schneiden von Holz und Sperrholz. Zum schnellen Schneiden in Aluminium und Weichstahl. |
| III | Großer orbitaler Schnitt | Zum schnellen Schneiden in Holz und Sperrholz. |

002525

Schalterfunktion (Abb. 4)

VORSICHT:

- Vor dem Anschließen der Maschine an das Stromnetz stets überprüfen, ob der Elektronikschalter ordnungsgemäß funktioniert und beim Loslassen in die AUS-Stellung zurückkehrt.

Zum Einschalten des Werkzeugs drücken Sie einfach den Auslöseschalter. Die Hubzahl erhöht sich durch verstärkte Druckausübung auf den Auslöseschalter. Zum Anhalten lassen Sie den Auslöseschalter los.

Für Maschine mit Ausschaltsperr

Länderspezifisch

Für Dauerbetrieb betätigen Sie den Auslöseschalter, und drücken Sie dann den Arretierknopf hinein. Zum Ausrasten der Sperre drücken Sie den Auslöseschalter bis zum Anschlag hinein, und lassen Sie ihn dann los.

Geschwindigkeitseinstellrad (Für JR3070CT) (Abb. 5)

Die Taktzahl pro Minute kann durch Drehen des Einstellrads eingestellt werden. Dieser Vorgang kann selbst bei laufendem Elektrowerkzeug durchgeführt werden. Das Rad ist von 1 (kleinste Taktzahl) bis 6 (größte Taktzahl) eingestellt werden. Drehen Sie das Einstellrad auf eine der 6 Einstellungen, gemäß der durchzuführenden Arbeit.

Beziehen Sie sich auf die Tabelle, um die korrekte Geschwindigkeit für das zu schneidende Werkstück zu wählen. Jedoch kann die geeignete Geschwindigkeit je nach der Dicke des Werkstücks verschieden sein. Im Allgemeinen können Sie Werkstücke bei hohen Geschwindigkeiten schneller schneiden, doch wird die Lebensdauer der Klinge in diesem Fall verkürzt.

| Nummer auf dem Einstellrad | Taktzahl pro Minute |
|----------------------------|---------------------|
| 6 | 2.800 |
| 5 | 2.500 |
| 4 | 1.850 |
| 3 | 1.400 |
| 2 | 1.000 |
| 1 | 950 |

006574

| Zu schneidendes Werkstück | Zahl auf dem Einstellregler |
|---------------------------|-----------------------------|
| Holz | 6 |
| Autoklav-Leichtbeton | 5 - 6 |
| Weichstahl | 3 - 4 |
| Aluminium | 3 - 5 |
| Plastik | 1 - 4 |
| Edelstahl | 1 - 2 |

006584

HINWEIS:

- Wenn das Werkzeug längere Zeit dauerhaft bei niedriger Geschwindigkeit betrieben wird, wird die Lebenszeit des Motors reduziert.
- Der Geschwindigkeits-Einstellregler kann nur bis 6 und zurück bis 1 gedreht werden. Versuchen Sie nicht, ihn gewaltsam weiter als bis 6 oder 1 zu drehen, sonst könnte er nicht länger verwendet werden können.

Die Werkzeuge mit elektronischer Funktion sind leicht zu bedienen, weil sie die folgenden Merkmale aufweisen.

Konstante Geschwindigkeitsreglung

Elektronische Geschwindigkeitsreglung, um eine konstante Geschwindigkeit zu erzielen. Ermöglicht einen feinen Schliff, da die Drehzahl selbst unter Belastung konstant bleibt.

Softstart-Funktion

Sicherheit und Softstart, da der Startschock unterdrückt wird.

AUFBAU


VORSICHT:

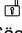
- Vergewissern Sie sich vor der Ausführung von Arbeiten an der Maschine stets, dass sie ausgeschaltet und vom Stromnetz getrennt ist.

Montage und Demontage des Sägeblatts

VORSICHT:

- Säubern Sie Sägeblatt, Klemmschuh und/oder Schieber stets von anhaftenden Spänen oder Fremdkörpern. Anderenfalls lässt sich das Sägeblatt möglicherweise nicht fest genug einspannen, was schwere Verletzungen zur Folge haben kann.

Um das Sägeblatt zu installieren, vergewissern Sie sich immer, dass sich der Blattklemmhebel in der Freigabeposition  auf der Isolierhülle befindet, bevor Sie das Sägeblatt einsetzen. Falls sich der Blattklemmhebel in der Feststellposition befindet, drehen

Sie den Blattklemmhebel in Pfeilrichtung, damit er in der Freigabeposition  arretieren kann. **(Abb. 6)**

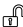
Führen Sie das Sägeblatt bis zum Anschlag in den Klemmschuh ein. Der Sägeblatt-Klemmhebel dreht sich, und das Sägeblatt wird fixiert. Vergewissern Sie sich durch Zugversuch, dass sich das Sägeblatt nicht herausziehen lässt. **(Abb. 7)**

HINWEIS:

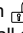

- Wird das Sägeblatt nicht tief genug eingeführt, kann es während des Betriebs plötzlich herausgeschleudert werden. Dies kann gefährliche Folgen haben.

Wenn sich der Hebel im Inneren des Werkzeugs befindet, schalten Sie das Werkzeug eine Sekunde lang ein, damit das Blatt wie in der Abbildung dargestellt aus dem Werkzeug fährt.

Schalten Sie das Werkzeug aus und ziehen Sie den Netzstecker aus der Steckdose.

Um das Sägeblatt zu entfernen, drehen Sie den Blattklemmhebel vollständig in die Pfeilrichtung. Das Sägeblatt wird entfernt, und der Blattklemmhebel wird in der Freigabeposition  arretiert. **(Abb. 8)**

HINWEIS:

- Halten Sie beim Einschalten Hände und Finger vom Hebel fern. Anderenfalls kann es zu Verletzungen kommen.
- Falls Sie das Sägeblatt entfernen, ohne den Blattklemmhebel vollständig zu drehen, wird der Hebel möglicherweise nicht in der Freigabeposition  arretiert. Drehen Sie den Hebel in diesem Fall erneut bis zum Anschlag, und vergewissern Sie sich, dass der Blattklemmhebel in der Freigabeposition  arretiert ist.

BETRIEB (Abb. 9)

VORSICHT:

- Drücken Sie den Schuh während des Betriebs immer fest gegen das Werkstück. Wird der Schuh während des Arbeitens vom Werkstück entfernt oder in zu großem Abstand vom Werkstück gehalten, kommt es zu starken Vibrationen bzw. zum Verkanten und damit zu Gefahr durch Brechen des Sägeblatts.
- Tragen Sie beim Sägen von Metall immer Handschuhe, um Ihre Hände vor umherfliegenden heißen Spänen zu schützen.
- Tragen Sie stets einen geeigneten Augenschutz, der den aktuellen Landesnormen entspricht.
- Verwenden Sie beim Sägen von Metall immer ein geeignetes Kühlmittel (Schneidöl). Nicht verwenden von Kühlmitteln führt zu vorzeitigem Verschleiß des Sägeblatts.

Drücken Sie den Schuh fest gegen das Werkstück, um Rückschläge auf die Säge zu vermeiden. Halten Sie die Säge so, dass das Sägeblatt das Werkstück gerade berührt. Sägen Sie zunächst mit einer niedrigen Hubzahl an. Machen Sie zunächst einen Führungsschnitt bei niedriger Geschwindigkeit. Sägen Sie dann bei höherer Geschwindigkeit weiter.

WARTUNG

ENG907-1

VORSICHT:

- Denken Sie vor der Durchführung von Überprüfungen oder Wartungsarbeiten stets daran, die Maschine auszuschalten und vom Stromnetz zu trennen.
- Verwenden Sie zum Reinigen niemals Kraftstoffe, Benzin, Verdünnern, Alkohol oder ähnliches. Dies kann zu Verfärbungen, Verformungen oder Rissen führen.

Auswechseln der Kohlebürsten (Abb. 10)

Die Kohlebürsten müssen regelmäßig entfernt und überprüft werden. Wenn sie bis zur Verschleißgrenze abgenutzt sind, müssen sie erneuert werden. Halten Sie die Kohlebürsten stets sauber, damit sie ungehindert in den Haltern gleiten können. Beide Kohlebürsten sollten gleichzeitig erneuert werden. Verwenden Sie nur identische Kohlebürsten.

Drehen Sie die Bürstenhalterkappen mit einem Schraubendreher heraus. Nehmen Sie die abgenutzten Kohlebürsten heraus, setzen Sie die neuen ein, und drehen Sie dann die Bürstenhalterkappen wieder ein.

(Abb. 11)

Um die SICHERHEIT und ZUVERLÄSSIGKEIT dieses Produkts zu gewährleisten, sollten Reparaturen und andere Wartungs- oder Einstellarbeiten nur von Makita-Vertragswerkstätten oder Makita-Kundendienstzentren unter ausschließlicher Verwendung von Makita-Originalersatzteilen ausgeführt werden.

SONDERZUBEHÖR

⚠️ ACHTUNG:

- Für das in diesem Handbuch beschriebene Makita-Gerät werden die folgenden Zubehör- und Zusatzteile empfohlen. Bei Verwendung anderer Zubehör- und Zusatzteile kann es zu Verletzungen kommen. Verwenden Sie Zubehör- und Zusatzteile nur für den vorgesehenen Zweck.

Informationen zu diesem Zubehör erhalten Sie von Ihrem Makita-Servicecenter.

- Recipsägeblätter
- Transportkoffer

HINWEIS:

- Einige der in der Liste aufgeführten Elemente sind dem Werkzeugpaket als Standardzubehör beigelegt. Diese können in den einzelnen Ländern voneinander abweichen.

Schall

ENG905-1

Typischer A-bewerteter Schalldruckpegel nach EN62841-2-11:

Modell JR3060T

Schalldruckpegel (L_{pA}): 90 dB (A)
Schallleistungspegel (L_{WA}): 98 dB (A)
Unsicherheit (K): 3 dB (A)

Modell JR3070CT

Schalldruckpegel (L_{pA}): 91 dB (A)
Schallleistungspegel (L_{WA}): 99 dB (A)
Unsicherheit (K): 3 dB (A)

- Der (Die) angegebene(n) Schallemissionswert(e) wurde(n) im Einklang mit der Standardprüfmethode gemessen und kann (können) für den Vergleich zwischen Werkzeugen herangezogen werden.
- Der (Die) angegebene(n) Schallemissionswert(e) kann (können) auch für eine Vorbewertung des Gefährdungsgrads verwendet werden.

⚠️ WARNUNG:

- Einen Gehörschutz tragen.
- Die Schallemission während der tatsächlichen Benutzung des Elektrowerkzeugs kann je nach der Benutzungsweise des Werkzeugs, und speziell je nach der Art des bearbeiteten Werkstücks, von dem (den) angegebenen Wert(en) abweichen.
- Identifizieren Sie Sicherheitsmaßnahmen zum Schutz des Benutzers anhand einer Schätzung des Gefährdungsgrads unter den tatsächlichen Benutzungsbedingungen (unter Berücksichtigung aller Phasen des Arbeitszyklus, wie z. B. Ausschalt- und Leerlaufzeiten des Werkzeugs zusätzlich zur Betriebszeit).

Schwingung

ENG900-1

Schwingungsgesamtwerte (Vektorsumme dreier Achsen) nach EN62841-2-11:

Modell JR3060T

Arbeitsmodus: Schneiden von Karton
Schwingungsbelastung ($a_{h,B}$): 15,5 m/s²
Unsicherheit (K): 2,0 m/s²

Arbeitsmodus: Schneiden von Holzbalken
Schwingungsbelastung ($a_{h,WB}$): 21,0 m/s²
Unsicherheit (K): 1,5 m/s²

Modell JR3070CT

Arbeitsmodus: Schneiden von Karton
Schwingungsbelastung ($a_{h,B}$): 9,5 m/s²
Unsicherheit (K): 1,5 m/s²

Arbeitsmodus: Schneiden von Holzbalken
Schwingungsbelastung ($a_{h,WB}$): 10,5 m/s²
Unsicherheit (K): 1,5 m/s²

ENG901-2

- Der (Die) angegebene(n) Vibrationsgesamtwert(e) wurde(n) im Einklang mit der Standardprüfmethode gemessen und kann (können) für den Vergleich zwischen Werkzeugen herangezogen werden.
- Der (Die) angegebene(n) Vibrationsgesamtwert(e) kann (können) auch für eine Vorbewertung des Gefährdungsgrads verwendet werden.

⚠️ WARNUNG:

- Die Vibrationsemission während der tatsächlichen Benutzung des Elektrowerkzeugs kann je nach der Benutzungsweise des Werkzeugs, und speziell je nach der Art des bearbeiteten Werkstücks, von dem (den) angegebenen Emissionswert(en) abweichen.
- Identifizieren Sie Sicherheitsmaßnahmen zum Schutz des Benutzers anhand einer Schätzung des Gefährdungsgrads unter den tatsächlichen Benutzungsbedingungen (unter Berücksichtigung aller Phasen des Arbeitszyklus, wie z. B.

**Ausschalt- und Leerlaufzeiten des Werkzeugs
zusätzlich zur Betriebszeit).**

**Konformitätserklärungen
*Nur für europäische Länder***

Die Konformitätserklärungen sind in Anhang A dieser Betriebsanleitung enthalten.

Visione Generale

| | | |
|-------------------------------|---|---------------------------------------|
| 1 Scarpa | 6 Pulsante di blocco (specifico in base alla nazione) | 10 Posizione fissa |
| 2 Bottone scarpa | 7 Manopola di regolazione | 11 Lama |
| 3 Leva | 8 Manicotto di fermo lama | 12 Leva di fermo lama |
| 4 Stopper | 9 Posizione rilasciata | 13 Segno limite |
| 5 Grilletto dell'interruttore | | 14 Coperchio delle spazzole a carbone |
| | | 15 Cacciavite |

DATI TECNICI

| Modello | JR3060T | JR3070CT |
|-------------------------------------|-----------|----------|
| Lunghezza della corsa | 32 mm | |
| Capacità massima di taglio | Tubazione | 130 mm |
| | Legno | 255 mm |
| N°. corse/min. (min ⁻¹) | 0 - 2.800 | |
| Lunghezza totale | 485 mm | |
| Peso netto | 4,4 kg | 4,6 kg |
| Classe di sicurezza | □/II | |

- Le caratteristiche tecniche riportate di seguito sono soggette a modifiche senza preavviso in virtù del nostro programma continuo di ricerca e sviluppo.
- Le caratteristiche tecniche possono differire da paese a paese.
- Peso determinato in conformità con la EPTA-Procedure 01/2014

Uso previsto

ENE021-1

Questo utensile è progettato per il taglio del legno, plastica, metallo e materiali da costruzione con un forte impatto. Esso è adatto per i tagli dritti e curvi.

Alimentazione

ENF002-2

L'utensile deve essere collegato a una presa di corrente con la stessa tensione di quella indicata sulla targhetta e può funzionare soltanto con corrente alternata monofase. L'utensile è dotato di doppio isolamento, pertanto può essere usato anche con prese di corrente sprovviste della messa a terra.

alimentato da rete elettrica che all'utensile elettrico (a batteria) nel funzionamento alimentato a batteria.

Avvertenze generali relative alla sicurezza dell'utensile elettrico

GEA010-2

⚠ AVVERTENZA: Leggere tutte le avvertenze di sicurezza, le istruzioni, le illustrazioni e i dati tecnici forniti con il presente utensile elettrico. La mancata osservanza di tutte le istruzioni elencate di seguito potrebbe risultare in scosse elettriche, incendi e/o gravi lesioni personali.

Conservare tutte le avvertenze e le istruzioni come riferimento futuro.

Il termine "utensile elettrico" nelle avvertenze si riferisce sia all'utensile elettrico (cablato) nel funzionamento

Avvertenze di sicurezza relative al seghetto dritto

GEB164-1

1. **Tenere l'utensile elettrico per le superfici di impugnatura isolate, quando si intende eseguire un'operazione in cui l'accessorio da taglio potrebbe entrare in contatto con fili elettrici nascosti o con il proprio cavo di alimentazione.** Un accessorio da taglio che entri in contatto con un filo elettrico sotto tensione potrebbe mettere sotto tensione le parti metalliche esposte dell'utensile elettrico e causare una scossa elettrica all'operatore.
2. **Utilizzare una morsa o un altro sistema pratico per fissare e supportare il pezzo su un piano stabile.** Il pezzo tenuto con la mano o contro il corpo resta instabile, e potrebbe causare una perdita di controllo.
3. **Portare sempre occhiali o occhiali di protezione. I comuni occhiali da vista o da sole NON sono occhiali di protezione.**
4. **Evitare di tagliare chiodi. Ispezionare il pezzo e, in presenza di eventuali chiodi, rimuoverli prima di procedere.**
5. **Non tagliare pezzi eccessivamente grandi.**
6. **Verificare che sia presente uno spazio sufficiente dietro il pezzo prima di tagliarlo, in modo che la lama non urti contro il pavimento, il banco da lavoro, e così via.**
7. **Tenere saldamente l'utensile.**
8. **Accertarsi che la lama non sia in contatto con il pezzo, prima di attivare l'interruttore.**

9. **Tenere le mani lontane dalle parti mobili.**
10. **Non lasciare l'utensile mentre sta funzionando. Far funzionare l'utensile solo mentre lo si tiene in mano.**
11. **Spegnere sempre l'utensile e attendere che la lama si sia arrestata completamente, prima di rimuoverla dal pezzo.**
12. **Non toccare la lama o il pezzo subito dopo l'uso dell'utensile; la loro temperatura potrebbe essere estremamente elevata e potrebbero causare ustioni.**
13. **Non far funzionare inutilmente l'utensile a vuoto.**
14. **Usare sempre una mascherina/respiratore adatti al materiale e all'applicazione con cui si lavora.**
15. **Alcuni materiali contengono sostanze chimiche che potrebbero essere tossiche. Fare attenzione a evitare l'inalazione della polvere e il contatto con la pelle. Attenersi ai dati relativi alla sicurezza del fornitore del materiale.**

NOTA:

- Azione orbitale significa che la lama della sega si muove contemporaneamente in su ed in giù e avanti ed indietro. Ciò aumenta l'efficienza del taglio.

| Posizione | Azione di taglio | Applicazioni |
|-----------|-----------------------------------|--|
| 0 | Azione di taglio a linea retta | Per tagliare acciaio dolce, acciaio inossidabile e plastiche. Per tagli netti in legno e compensato. |
| I | Azione di taglio orbitale piccolo | Per tagliare acciaio dolce, alluminio e legno duro. |
| II | Azione di taglio orbitale medio | Per tagliare legno e compensato. Per tagli veloci in alluminio e acciaio dolce. |
| III | Azione di taglio orbitale grande | Per tagli veloci in legno e compensato. |

002525

CONSERVARE LE PRESENTI ISTRUZIONI.

⚠ AVVERTENZA:

NON lasciare che la comodità o la familiarità d'uso con il prodotto (acquisita con l'uso ripetuto) sostituiscano la stretta osservanza delle norme di sicurezza. L'USO IMPROPRIO o la mancata osservanza delle norme di sicurezza riportate nel presente manuale di istruzioni potrebbero causare lesioni personali gravi.

DESCRIZIONE DEL FUNZIONAMENTO

ATTENZIONE:

- Accertarsi sempre che l'utensile sia spento e staccato dalla presa di corrente prima di regolare o controllare le sue funzioni.

Regolazione della scarpa (Fig. 1 e 2)

Se la lama perde l'efficienza di taglio in un punto lungo il bordo di taglio, riposizionare la scarpa per usare una parte tagliente non utilizzata del suo bordo di taglio. Ciò aiuta a prolungare la vita della lama. Per riposizionare la scarpa, spingere il bottone scarpa nella direzione "A" con uno scatto e riposizionare come mostrato nella figura in modo da poter eseguire la regolazione a cinque vie. Per fissare la scarpa, spingere il bottone scarpa nella direzione "B" con uno scatto.

Selezionare l'azione di taglio (Fig. 3)

Questo utensile può essere azionato con un'azione di taglio orbitale o a linea retta. L'azione di taglio orbitale spinge la lama avanti sulla corsa di taglio ed aumenta di gran lunga la velocità di taglio. Per cambiare l'azione di taglio, premere lo stopper e girare la leva nella posizione dell'azione di taglio desiderata. Poi, rilasciare lo stopper per bloccare la leva. Fare riferimento alla tabella per selezionare l'azione di taglio appropriata.

Operazione dell'interruttore (Fig. 4)

ATTENZIONE:

- Prima di schiacciare l'interruttore, sempre controllate se il grilletto dell'interruttore lavora come si deve e ritorna la suo posto quando lo lasciate libero.

Per avviare l'utensile, è sufficiente premere l'interruttore a grilletto. La velocità dell'utensile aumenta di pari passo con l'incremento della pressione sull'interruttore a grilletto. Per arrestare l'utensile, rilasciare l'interruttore a grilletto.

Per utensili dotati di interruttore bloccabile sullo stato di accensione

Specifica in base alla nazione

Per il funzionamento continuo, premere l'interruttore a grilletto, quindi far rientrare il pulsante di blocco premendolo. Per arrestare l'utensile dalla posizione bloccata, premere fino in fondo l'interruttore a grilletto, quindi rilasciarlo.

Manopola di regolazione della velocità (Per JR3070CT) (Fig. 5)

Le corse al minuto possono essere regolate ruotando la manopola di regolazione. Ciò può essere fatto persino mentre l'utensile è in funzione. La manopola è contrassegnata da 1 (velocità minima) a 6 (velocità massima). Ruotare la manopola di regolazione senza arresti meccanici tra 1 e 6 a seconda del lavoro che si deve svolgere.

Consultare la tabella per selezionare la velocità appropriata per il pezzo da tagliare. Tuttavia, la velocità appropriata potrebbe differire con il tipo di spessore del pezzo. In generale, le velocità maggiori consentono di tagliare i pezzi più rapidamente, ma la durata della lama si riduce.

| Numero sulla manopola di regolazione | Corse al minuto |
|--------------------------------------|-----------------|
| 6 | 2.800 |
| 5 | 2.500 |
| 4 | 1.850 |
| 3 | 1.400 |
| 2 | 1.000 |
| 1 | 950 |

006574

| Pezzo da tagliare | Numero sulla manopola di regolazione |
|--------------------------------------|--------------------------------------|
| Legno | 6 |
| Cemento leggero passato in autoclave | 5 - 6 |
| Acciaio dolce | 3 - 4 |
| Alluminio | 3 - 5 |
| Plastica | 1 - 4 |
| Acciaio inossidabile | 1 - 2 |

006584

NOTA:

- Se l'utensile viene utilizzato a bassa velocità per un periodo di tempo prolungato e continuativo, la durata di funzionamento del motore è soggetta a una riduzione.
- La manopola di regolazione della velocità può essere girata soltanto fino a 6 e indietro fino a 1. Non forzarla dopo 6 o 1, altrimenti la funzione di regolazione della velocità potrebbe non essere più operativa.

Gli utensili dotati di funzione elettronica sono facili da utilizzare per le seguenti funzioni.

Controllo della velocità costante

Controllo elettronico della velocità per ottenere la velocità costante. È possibile ottenere una finitura accurata, poiché la velocità di rotazione viene mantenuta costante anche in condizioni di carico.

Funzione di avvio delicato

Avvio sicuro e delicato grazie all'eliminazione dell'urto iniziale.

MONTAGGIO


ATTENZIONE:

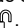
- Accertarsi sempre che l'utensile sia spento e staccato dalla presa di corrente prima di qualsiasi intervento su di esso.

Installazione o rimozione della lama

ATTENZIONE:


- Togliete sempre tutti i trucioli e le sostanze estranee attaccate alla lama, fermo lama e/o scivolo. In caso contrario, il serraggio della lama potrebbe essere insufficiente e causare lesioni gravi.

Per installare la lama della sega, assicurarsi sempre che la leva di fermo lama sia in posizione rilasciata  sulla copertura isolante prima di inserire la lama della sega. Se la leva di fermo lama è in posizione fissa, ruotare la leva di

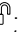

fermo lama nella direzione della freccia, in modo che possa essere bloccata in posizione rilasciata . (Fig. 6)

Inserire completamente la lama nel morsetto. La leva della lama ruota e in tal modo la lama viene fissata. Assicurarsi di aver posizionato correttamente la lama tentando di estrarla. La lama non deve muoversi. (Fig. 7)

NOTA:

- Se non si inserisce la lama sufficientemente dentro, essa potrebbe essere espulsa improvvisamente durante il lavoro. Ciò è estremamente pericoloso. Se la leva è posizionata verso l'interno dell'utensile, accendere l'utensile per un secondo per far uscire la lama come mostrato in figura. Spegnerne e scollegare l'utensile dalla presa di corrente. Per rimuovere la lama della sega, ruotare completamente la leva di fermo lama nella direzione della freccia. La lama della sega viene rimossa e la leva di fermo lama viene fissata in posizione rilasciata . (Fig. 8)

NOTA:

- Tenere le mani e le dita lontano dalla leva durante le operazioni di accensione/spengimento. Il mancato rispetto delle precauzioni di sicurezza può provocare lesioni personali.
- Se si rimuove la lama della sega senza ruotare completamente la leva di fermo lama, la leva potrebbe non venire bloccata in posizione rilasciata . In questo caso, ruotare di nuovo e completamente la leva di fermo lama, ed assicurarsi che la leva di fermo lama sia bloccata in posizione rilasciata .

LAVORAZIONE (Fig. 9)

ATTENZIONE:

- Durante il funzionamento, premere sempre saldamente la scarpa contro il pezzo in lavorazione. Se la scarpa è staccata o non rimane a contatto del pezzo durante la lavorazione, si producono forti vibrazioni e/o torsioni che possono provocare la rottura della lama determinando il rischio di lesioni.
- Quando tagliate metalli, indossate sempre guanti per proteggere le mani da scintille.
- Indossare sempre una protezione adatta per gli occhi conforme agli standard nazionali.
- Quando tagliate metalli, usate sempre un refrigerante adatto (olio refrigerante). Non usare il refrigerante causerà il consumo rapido della lama.

Esercitate forte pressione sulla scarpa affinché stia sempre a contatto col pezzo da lavorare. Non permettete che lo utensile abbia movimenti incontrollati. All'inizio portate lo utensile a leggero contatto con il pezzo da tagliare. Fare prima una scanalatura di prova a bassa velocità. Quindi, continuare a tagliare a una velocità superiore.

MANUTENZIONE

ATTENZIONE:

- Accertarsi sempre che l'utensile sia spento e staccato dalla presa di corrente prima di qualsiasi intervento di ispezione o di manutenzione.

- Evitare assolutamente di usare benzina, diluenti, solventi, alcol o sostanze simili. In caso contrario, potrebbero verificarsi scoloriture, deformazioni o incrinature.

Sostituzione delle spazzole di carbone (Fig. 10)

Rimuovere e ispezionare regolarmente le spazzole di carbone. Sostituirle quando sono consumate fino al limite di usura. Mantenere pulite le spazzole di carbone, che devono potersi muovere liberamente nel portaspazzole. Le spazzole di carbone vanno sostituite entrambe allo stesso tempo. Usare soltanto spazzole di carbone identiche.

Per rimuovere le spazzole di carbone, usare un cacciavite. Togliere le spazzole usurate, inserire le nuove e fissare i tappi del portaspazzole. (Fig. 11)

Per preservare la SICUREZZA e l’AFFIDABILITÀ del prodotto, le riparazioni e qualsiasi altro intervento di manutenzione e di regolazione devono essere eseguiti da un centro di assistenza Makita usando ricambi Makita.

ACCESSORI OPZIONALI

ATTENZIONE:

- Si consiglia l’uso dei seguenti accessori per l’utensile Makita descritto in questo manuale. L’uso di qualsiasi altro accessorio potrebbe provocare lesioni personali. Utilizzare gli accessori esclusivamente per l’uso dichiarato.

Per l’assistenza e per ulteriori informazioni su tali accessori, rivolgersi al centro assistenza Makita di zona.

- Lame per seghetto alternativo
- Valigetta portautensile in plastica

NOTA:

- Alcuni degli accessori elencati potrebbero essere inclusi nella confezione dell’utensile come accessori standard. Gli accessori standard possono differire da paese a paese.

Rumore

ENG905-1

Il tipico livello di rumore ponderato “A” è determinato in conformità con la norma EN62841-2-11:

Modello JR3060T

Livello di pressione sonora (L_{pA}): 90 dB (A)
Livello di potenza sonora (L_{WA}): 98 dB (A)
Variazione (K): 3 dB (A)

Modello JR3070CT

Livello di pressione sonora (L_{pA}): 91 dB (A)
Livello di potenza sonora (L_{WA}): 99 dB (A)
Variazione (K): 3 dB (A)

ENG907-1

- Il valore o i valori dichiarati delle emissioni di rumori sono stati misurati in conformità a un metodo standard di verifica, e possono essere utilizzati per confrontare un utensile con un altro.
- Il valore o i valori dichiarati delle emissioni di rumori possono venire utilizzati anche per una valutazione preliminare dell’esposizione.

AVVERTIMENTO:

- **Indossare protezioni per le orecchie.**

- **L’emissione di rumori durante l’utilizzo effettivo dell’utensile elettrico può variare rispetto al valore o ai valori dichiarati, a seconda dei modi in cui viene utilizzato l’utensile e specialmente a seconda di che tipo di pezzo venga lavorato.**
- **Accertarsi di identificare misure di sicurezza per la protezione dell’operatore che siano basate su una stima dell’esposizione nelle condizioni effettive di utilizzo (tenendo conto di tutte le parti del ciclo operativo, ad esempio del numero di spegnimenti dell’utensile e di quando giri a vuoto, oltre al tempo di attivazione).**

Vibrazione

ENG900-1

Il valore totale della vibrazione (somma vettoriale triassiale) viene determinato in conformità con la norma EN62841-2-11:

Modello JR3060T

Modalità di lavoro: taglio dei pannelli
Emissione di vibrazioni ($a_{h,B}$): 15,5 m/s²
Variazione (K): 2,0 m/s²

Modalità di lavoro: taglio di travi in legno
Emissione di vibrazioni ($a_{h,WB}$): 21,0 m/s²
Variazione (K): 1,5 m/s²

Modello JR3070CT

Modalità di lavoro: taglio dei pannelli
Emissione di vibrazioni ($a_{h,B}$): 9,5 m/s²
Variazione (K): 1,5 m/s²

Modalità di lavoro: taglio di travi in legno
Emissione di vibrazioni ($a_{h,WB}$): 10,5 m/s²
Variazione (K): 1,5 m/s²

ENG901-2

- Il valore o i valori complessivi delle vibrazioni dichiarati sono stati misurati in conformità a un metodo standard di verifica, e possono essere utilizzati per confrontare un utensile con un altro.
- Il valore o i valori complessivi delle vibrazioni dichiarati possono venire utilizzati anche per una valutazione preliminare dell’esposizione.

AVVERTIMENTO:

- **L’emissione delle vibrazioni durante l’utilizzo effettivo dell’utensile elettrico può variare rispetto al valore o ai valori dichiarati, a seconda dei modi in cui viene utilizzato l’utensile, specialmente a seconda di che tipo di pezzo venga lavorato.**
- **Accertarsi di identificare misure di sicurezza per la protezione dell’operatore che siano basate su una stima dell’esposizione nelle condizioni effettive di utilizzo (tenendo conto di tutte le parti del ciclo operativo, ad esempio del numero di spegnimenti dell’utensile e di quando giri a vuoto, oltre al tempo di attivazione).**

Dichiarazioni di conformità

Solo per i paesi europei

Le Dichiarazioni di conformità sono incluse nell’Allegato A al presente manuale d’uso.

NEDERLANDS (Originele instructies)

Verklaring van algemene gegevens

| | | |
|--------------------|---|-----------------------|
| 1 Schoen | 6 Vergrendelknop (afhankelijk van het land) | 10 Vaste stand |
| 2 Schoenknop | | 11 Zaagblad |
| 3 Instelknop | 7 Instelwiel | 12 Zaagbladklemhendel |
| 4 Vergrendelknopje | 8 Zaagbladklemmof | 13 Limietmarkering |
| 5 Trekschakelaar | 9 Vrije stand | 14 Koolborsteldop |
| | | 15 Schroevendraaier |

TECHNISCHE GEGEVENS

| Model | JR3060T | JR3070CT |
|--|-----------|----------|
| Slaglengte | 32 mm | |
| Max. zaagcapaciteiten | Pijp | 130 mm |
| | Hout | 255 mm |
| Aantal zaagbewegingen/min (min ⁻¹) | 0 - 2.800 | |
| Totale lengte | 485 mm | |
| Netto gewicht | 4,4 kg | 4,6 kg |
| Veiligheidsklasse | □/II | |

- Als gevolg van ons doorlopende onderzoeks- en ontwikkelingsprogramma, zijn de technische gegevens van dit gereedschap onderhevig aan veranderingen zonder voorafgaande kennisgeving.
- De technische gegevens kunnen van land tot land verschillen.
- Gewicht volgens EPTA-procedure 01/2014

Doelinden van gebruik ENE021-1

Dit gereedschap is bedoeld voor het zagen van hout, kunststof, metaal en bouwmaterialen met grote slagsterkte. Het is geschikt voor zowel recht als krom zagen.

Voeding ENF002-2

Het gereedschap mag uitsluitend worden aangesloten op een voeding met dezelfde spanning als aangegeven op het typeplaatje en werkt alleen op enkele-fase wisselstroom. Het gereedschap is dubbel geïsoleerd en mag derhalve ook op een niet-geaard stopcontact worden aangesloten.

Algemene veiligheidswaarschuwingen voor elektrisch gereedschap GEA010-2

⚠ WAARSCHUWING: Lees alle veiligheidswaarschuwingen, aanwijzingen, afbeeldingen en technische gegevens behorend bij dit elektrische gereedschap aandachtig door. Als u niet alle onderstaande aanwijzingen naleeft, kan dat resulteren in brand, elektrische schokken en/of ernstig letsel.

Bewaar alle waarschuwingen en instructies om in de toekomst te kunnen raadplegen.

De term "elektrisch gereedschap" in de veiligheidsvoorschriften duidt op gereedschappen die op stroom van het lichtnet werken (met snoer) of gereedschappen met een accu (snoerloos).

Veiligheidswaarschuwingen voor een recipzaag GEB164-1

1. **Houd elektrisch gereedschap vast aan het geïsoleerde oppervlak van de handgrepen wanneer u werkt op plaatsen waar het accessoire met verborgen bedrading of zijn eigen snoer in aanraking kan komen.** Wanneer het accessoire in aanraking komt met onder spanning staande draden, zullen de niet-geïsoleerde metalen delen van het gereedschap onder spanning komen te staan zodat de gebruiker een elektrische schok kan krijgen.
2. **Gebruik klemmen of andere bevestigingsmiddelen om het werkstuk op een stabiel platform te bevestigen en te ondersteunen.** Het werkstuk is onstabiel en er is gevaar voor controleverlies wanneer u het werkstuk met de hand vasthoudt of het tegen uw lichaam houdt.
3. **Draag altijd een veiligheidsbril of een beschermbril. Een gewone bril of een zonnebril is GEEN veiligheidsbril.**

4. Vermijd het zagen op spijkers. Inspecteer het werkstuk op eventuele spijkers en verwijder ze voordat u begint.
5. Zaag geen werkstukken die te groot zijn.
6. Controleer vooraf of er voldoende ruimte voorbij het werkstuk is, zodat het zaagblad niet tegen de vloer, een werkbank e.d. zal stoten.
7. Houd het gereedschap stevig vast.
8. Zorg dat het zaagblad het werkstuk niet raakt voordat u de trekschakelaar indrukt.
9. Houd uw handen uit de buurt van bewegende delen.
10. Laat het gereedschap niet draaiend achter. Schakel het gereedschap alleen in wanneer u het stevig vasthoudt.
11. Schakel het gereedschap uit en wacht totdat het zaagblad volledig tot stilstand is gekomen alvorens het zaagblad van het werkstuk te verwijderen.
12. Raak het zaagblad of het werkstuk niet aan onmiddellijk na het werk; deze kunnen gloeiend heet zijn en brandwonden veroorzaken.
13. Laat het gereedschap niet onbelast draaien wanneer zulks niet nodig is.
14. Draag altijd het stofmasker/gasmasker dat geschikt is voor het materiaal en de toepassing waarmee u werkt.
15. Bepaalde materialen kunnen giftige chemicaliën bevatten. Vermijd contact met uw huid en zorg dat u geen stof inademt. Volg de veiligheidsvoorschriften van de fabrikant van het materiaal.

BEWAAR DEZE VOORSCHRIFTEN.

WAARSCHUWING:

Laat u NIET misleiden door een vals gevoel van comfort en bekendheid met het gereedschap (na veelvuldig gebruik) en neem alle veiligheidsvoorschriften van het betreffende gereedschap altijd strikt in acht. **VERKEERD GEBRUIK** of het niet naleven van de veiligheidsvoorschriften in deze gebruiksaanwijzing kan leiden tot ernstig letsel.

BESCHRIJVING VAN DE FUNCTIES

LET OP:

- Controleer altijd of het gereedschap is uitgeschakeld en zijn stekker uit het stopcontact is verwijderd alvorens de functies op het gereedschap te controleren of af te stellen.

Bijstellen van de schoen (Fig. 1 en 2)

Wanneer een gedeelte van de snede van het zaagblad niet meer goed snijdt, dient u de positie van de schoen bij te stellen om een ongebruikt scherp gedeelte van de snede te gebruiken. Het zaagblad zal dan langer meegaan. Om de schoen bij te stellen, drukt de schoenknoop in de richting "A" tot u een klikgeluid hoort en stel af op een van de vijf beschikbare posities zoals

afgebeeld. Zet de schoen weer vast door de schoenknoop in de richting "B" te drukken tot u een klikgeluid hoort.

De zaagmethode kiezen (Fig. 3)

Dit gereedschap kan worden gebruikt met een pendelende of rechte zaagmethode. In de pendelende zaagmethode wordt het zaagblad tijdens de zaagslag krachtig naar voren geduwd, waardoor de zaagsnelheid sterk toeneemt. Als u de zaagmethode wilt veranderen, drukt u het vergrendelknopje in en zet u de instelknop in de gewenste zaagmethodestand. Laat daarna het vergrendelknopje los om de instelknop te vergrendelen. Raadpleeg de onderstaande tabel om de toepasselijke zaagmethode te bepalen.

OPMERKING:

- Rondgaande beweging betekent dat het zaagblad tegelijkertijd omhoog en omlaag beweegt én naar voren en achteren beweegt. Dit verhoogt de efficiëntie van het zagen.

| Stand | Zaagmethode | Toepassing |
|-------|-------------------------------------|--|
| 0 | Zagen in een rechte lijn | Voor zagen van zachtstaal, roestvrijstaal en kunststof. Voor schone zaagsnede in hout, multiplex, enz. |
| I | Zagen met geringe pendelbeweging | Voor zagen van zachtstaal, aluminium en hardhout. |
| II | Zagen met gemiddelde pendelbeweging | Voor zagen van hout, multiplex, enz. Voor snel zagen van aluminium en zachtstaal. |
| III | Zagen met sterke pendelbeweging | Voor snel zagen van hout, multiplex, enz. |

002525

Werking van de trekkerschakelaar (Fig. 4)

LET OP:

- Alvorens de stekker in een stopcontact te steken, dient u altijd te controleren of de trekkerschakelaar naar behoren werkt en bij loslaten naar de "OFF" positie terugkeert.

Om het gereedschap te starten, knijpt u gewoon de trekkerschakelaar in. Hoe groter de druk op de trekkerschakelaar, hoe hoger het toerental van het gereedschap. Laat de trekkerschakelaar los om het gereedschap te stoppen.

Voor gereedschap met een inschakelvergrendeling

Afhankelijk van het land

Om het gereedschap continu te laten werken, knijpt u eerst de trekkerschakelaar in en drukt u daarna de vergrendelknop in. Om vanuit de vergrendelde werking het gereedschap te stoppen, knijpt u de trekkerschakelaar helemaal in en laat u deze vervolgens weer los.

Snelheidsinstelwiel (voor JR3070CT)

(Fig. 5)

Het aantal slagen per minuut kan worden ingesteld door eenvoudigweg het instelwiel te draaien. Dit kan zelfs worden gedaan terwijl het gereedschap is ingeschakeld. Op het instelwiel wordt de minimumsnelheid aangegeven met 1 en de maximumsnelheid met 6. U kunt het instelwiel traploos draaien tussen 1 en 6 al naar gelang uw werk vereist.

Raadpleeg de tabel om de juiste snelheid te kiezen voor het werkstuk dat moet worden gezaagd. De toepasselijke snelheid kan echter verschillen afhankelijk van het soort en de dikte van het werkstuk. Over het algemeen geldt dat met een hogere snelheid een werkstuk sneller gezaagd kan worden, maar dat de levensduur van de zaag afneemt.

| Nummer op instelwiel | Slagen per minuut |
|----------------------|-------------------|
| 6 | 2.800 |
| 5 | 2.500 |
| 4 | 1.850 |
| 3 | 1.400 |
| 2 | 1.000 |
| 1 | 950 |

006574

| Te zagen werkstuk | Getal op instelknop |
|----------------------------|---------------------|
| Hout | 6 |
| Lichte beton uit autoclaaf | 5 - 6 |
| Zacht staal | 3 - 4 |
| Aluminium | 3 - 5 |
| Kunststof | 1 - 4 |
| Roestvrij staal | 1 - 2 |

006584

OPMERKING:

- Als het gereedschap continu gedurende een lange tijd op lage snelheid wordt gebruikt, zal de levensduur van de motor worden verkort.
- De snelheidsregelknop kan slechts van 1 tot 6 gedraaid worden. Forceer deze niet voorbij 6 of 1 omdat anders de snelheidsregelfunctie kapot kan gaan.

Gereedschappen uitgerust met een elektronische functie zijn eenvoudig te bedienen vanwege de volgende eigenschappen:

Constante snelheidsregeling

Elektronische snelheidsregeling zorgt voor een constante snelheid. U krijgt een gave afwerking omdat de draaisnelheid constant wordt gehouden, zelfs onder belasting.

Geleidelijke-startfunctie

Veilig en geleidelijk starten doordat de startschok wordt onderdrukt.

INEENZETTEN



LET OP:

- Zorg altijd dat het gereedschap is uitgeschakeld en zijn stekker uit het stopcontact is verwijderd alvorens enig werk aan het gereedschap uit te voeren.

Het zaagblad aanbrengen en verwijderen

LET OP:


- Verwijder altijd alle spaanders en verontreinigingen van het zaagblad, de zaagbladklem en/of de slede. Indien u dit niet doet, zal het zaagblad niet goed vastgezet zijn, hetgeen ernstige verwonding kan veroorzaken.

Zorg er bij het plaatsen van een zaagblad altijd voor dat de zaagbladklemhendel in de geopende stand  staat op de isolerende behuizing alvorens een zaagblad in te steken. Als de zaagbladklemhendel in de gesloten stand staat, draait u de zaagbladklemhendel in de richting van de pijl zodat deze kan worden vergrendeld in de geopende stand . (Fig. 6)

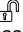

Steek het zaagblad zo ver mogelijk in de zaagbladklem. De zaagbladklembus draait en het zaagblad wordt vastgezet. Controleer dat het zaagblad er niet uit getrokken kan worden, ook niet als u er aan trekt. (Fig. 7)

OPMERKING:

- Als het zaagblad niet diep genoeg erin zit, kan het zaagblad tijdens het zagen onverwachts eruit geworpen worden, hetgeen bijzonder gevaarlijk is. Als de hendel in het gereedschap geplaatst is, schakelt u het gereedschap kortstondig in om het zaagblad eruit te laten komen, zoals aangegeven in de afbeelding. Schakel het gereedschap uit en trek de stekker uit het stopcontact.

Om het zaagblad te verwijderen, draait u de zaagbladklemhendel zo ver mogelijk in de richting van de pijl. Het zaagblad wordt verwijderd en de zaagbladklemhendel wordt vergrendeld in de geopende stand . (Fig. 8)

OPMERKING:

- Houd uw handen en vingers uit de buurt van de hendel tijdens het inschakelen. Als u dat niet doet, kan persoonlijk letsel ontstaan.
- Als u het zaagblad verwijdert, zonder eerst de zaagbladklemhendel zo ver mogelijk te draaien, kan de hendel niet in de geopende stand  vergrendeld worden. In dat geval draait u nogmaals de zaagbladklemhendel zo ver mogelijk en controleert u dat de zaagbladklemhendel is vergrendeld in de geopende stand .

BEDIENING (Fig. 9)

LET OP:

- Druk tijdens gebruik de schoen altijd stevig tegen het werkstuk. Als de schoen is verwijderd of tijdens het gebruik op afstand van het werkstuk wordt gehouden, zullen sterke trillingen en/of draaibewegingen het gevolg zijn waardoor het zaagblad op een gevaarlijke manier kan afbreken.

- Trek voor zagen in metaal altijd handschoenen aan om uw handen te beschermen tegen wegvliegende hete metaaldeeltjes.
- Draag altijd geschikte oogbescherming die voldoet aan de geldende plaatselijke normen.
- Gebruik voor zagen in metaal altijd een geschikt koelmiddel (snijolie). Laat u dit na dan zal de gebruiksduur van het zaagblad voortijdig worden verkort.

Druk de schoen flink tegen het werkstuk aan. Zorg ervoor dat het gereedschap geen schokken maakt. Breng vervolgens het zaagblad in contact met het werkstuk. Maak eerst een geleidings sleuf met behulp van een lage zaagsnelheid. Gebruik daarna een hogere snelheid om verder te zagen.

ONDERHOUD

LET OP:

- Zorg altijd dat het gereedschap is uitgeschakeld en zijn stekker uit het stopcontact is verwijderd alvorens te beginnen met inspectie of onderhoud.
- Gebruik nooit benzine, wasbenzine, thinner, alcohol, enz. Dit kan leiden tot verkleuren, vervormen of barsten.

Vervangen van de koolborstels (Fig. 10)

Verwijder en controleer regelmatig de koolborstels. Vervang de koolborstels wanneer deze tot aan de limietmerkstreep versleten zijn. Houd de koolborstels schoon zodat ze vlot in hun houders glijden. Beide koolborstels dienen tegelijkertijd te worden vervangen. Gebruik uitsluitend identieke koolborstels. Gebruik een schroevendraaier om de koolborsteldoppen te verwijderen. Haal de versleten koolborstels eruit, schuif de nieuwe erin, en zet de koolborsteldoppen goed vast.

(Fig. 11)

Om de VEILIGHEID en BETROUWBAARHEID van het gereedschap te handhaven, dienen alle reparaties, onderhoud of afstellingen te worden uitgevoerd bij een erkend Makita servicecentrum, en altijd met gebruik van Makita vervangingsonderdelen.

VERKRIJGBARE ACCESSOIRES

⚠ LET OP:

- Deze accessoires of hulpstukken worden aanbevolen voor gebruik met het Makita-gereedschap dat in deze gebruiksaanwijzing wordt beschreven. Het gebruik van andere accessoires of hulpstukken kan gevaar voor persoonlijk letsel opleveren. Gebruik de accessoires of hulpstukken uitsluitend voor de aangegeven gebruiksdoeleinden.

Mocht u meer informatie willen hebben over deze accessoires, dan kunt u contact opnemen met uw plaatselijke Makita-servicecentrum.

- Recipro-zaagbladen
- Kunststof koffer

OPMERKING:

- Sommige items op de lijst kunnen zijn inbegrepen in de doos van het gereedschap als standaard toebehoren. Zij kunnen van land tot land verschillen.

Geluid

ENG905-1

Het standaard A-gewogen geluidsniveau zoals vastgesteld conform EN62841-2-11:

Model JR3060T

Geluidsdruk niveau (L_{pA}): 90 dB (A)
 Geluidsvermogen niveau (L_{wA}): 98 dB (A)
 Onzekerheid (K): 3 dB (A)

Model JR3070CT

Geluidsdruk niveau (L_{pA}): 91 dB (A)
 Geluidsvermogen niveau (L_{wA}): 99 dB (A)
 Onzekerheid (K): 3 dB (A)

ENG907-1

- De opgegeven geluidsemissiewaarde(n) is/zijn gemeten volgens een standaardtestmethode en kan/kunnen worden gebruikt om dit gereedschap te vergelijken met andere gereedschappen.
- De opgegeven geluidsemissiewaarde(n) kan/kunnen ook worden gebruikt voor een beoordeling vooraf van de blootstelling.

⚠ WAARSCHUWING:

- **Draag gehoorbescherming.**
- **De geluidsemissie tijdens het gebruik van het elektrisch gereedschap in de praktijk kan verschillen van de opgegeven waarde(n) afhankelijk van de manier waarop het gereedschap wordt gebruikt, met name van het soort werkstuk waarmee wordt gewerkt.**
- **Zorg ervoor dat veiligheidsmaatregelen worden getroffen ter bescherming van de gebruiker die zijn gebaseerd op een schatting van de blootstelling onder praktijkomstandigheden (rekening houdend met alle fasen van de bedrijfscyclus, zoals de tijdsduur gedurende welke het gereedschap is uitgeschakeld en stationair draait, naast de ingeschakelde tijdsduur).**

Trilling

ENG900-1

De totale trilwaarde (triaxiale vectorsom) zoals vastgesteld volgens EN62841-2-11:

Model JR3060T

Gebruikstoepassing: zagen van platen
 Trillingsemissie ($a_{h,B}$): 15,5 m/s²
 Onzekerheid (K): 2,0 m/s²

Gebruikstoepassing: zagen van houden balken
 Trillingsemissie ($a_{h,WB}$): 21,0 m/s²
 Onzekerheid (K): 1,5 m/s²

Model JR3070CT

Gebruikstoepassing: zagen van platen
 Trillingsemissie ($a_{h,B}$): 9,5 m/s²
 Onzekerheid (K): 1,5 m/s²

Gebruikstoepassing: zagen van houden balken
 Trillingsemissie ($a_{h,WB}$): 10,5 m/s²
 Onzekerheid (K): 1,5 m/s²

ENG901-2

- De totale trillingswaarde(n) is/zijn gemeten volgens een standaardtestmethode en kan/kunnen worden gebruikt om dit gereedschap te vergelijken met andere gereedschappen.

- De opgegeven totale trillingswaarde(n) kan/kunnen ook worden gebruikt voor een beoordeling vooraf van de blootstelling.

 **WAARSCHUWING:**

- **De trillingsemissie tijdens het gebruik van het elektrisch gereedschap in de praktijk kan verschillen van de opgegeven waarde(n) afhankelijk van de manier waarop het gereedschap wordt gebruikt, met name van het soort werkstuk waarmee wordt gewerkt.**
- **Zorg ervoor dat veiligheidsmaatregelen worden getroffen ter bescherming van de gebruiker die zijn gebaseerd op een schatting van de blootstelling onder praktijkomstandigheden (rekening houdend met alle fasen van de bedrijfscyclus, zoals de tijdsduur gedurende welke het gereedschap is uitgeschakeld en stationair draait, naast de ingeschakelde tijdsduur).**

Verklaringen van conformiteit

Alleen voor Europese landen

De verklaringen van conformiteit zijn bijgevoegd in Bijlage A bij deze gebruiksaanwijzing.

ESPAÑOL (Instrucciones originales)

Explicación de los dibujos

| | | |
|--|--|---|
| 1 Zapata | 7 Dial de ajuste | 12 Palanca de sujeción de hoja de la sierra |
| 2 Botón de la zapata | 8 Manga de sujeción de hoja de la sierra | 13 Marca de límite |
| 3 Palanca | 9 Posición liberada | 14 Tapa del portaescobillas |
| 4 Clavija de retención | 10 Posición fija | 15 Destornillador |
| 5 Interruptor de gatillo | 11 Sierra | |
| 6 Botón de bloqueo (Específico para cada país) | | |

ESPECIFICACIONES

| Modelo | JR3060T | JR3070CT |
|--|-----------|----------|
| Longitud de carrera | 32 mm | |
| Capacidades máximas de corte | Tubería | 130 mm |
| | Madera | 255 mm |
| Carreras por minuto (min ⁻¹) | 0 - 2.800 | |
| Longitud total | 485 mm | |
| Peso neto | 4,4 kg | 4,6 kg |
| Clase de seguridad | □/II | |

- Debido a nuestro programa continuo de investigación y desarrollo, las especificaciones aquí descritas están sujetas a cambios sin previo aviso.
- Las especificaciones pueden ser diferentes de un país a otro.
- Peso de acuerdo con el procedimiento EPTA 01/2014

Uso previsto

ENE021-1

La herramienta ha sido prevista para cortar madera, plástico, metal y materiales de construcción con un impacto fuerte. Es apropiada para cortes rectos y curvos.

Alimentación

ENF002-2

La herramienta debe conectarse solamente a una fuente de alimentación de la misma tensión que la indicada en la placa de características, y sólo puede funcionar con corriente alterna monofásica. La herramienta cuenta con un doble aislamiento y puede, por lo tanto, usarse también en tomacorrientes sin conductor de tierra.

Advertencias de seguridad para herramientas eléctricas en general

GEA010-2

⚠ ADVERTENCIA: Lea todas las advertencias de seguridad, instrucciones, ilustraciones y especificaciones provistas con esta herramienta eléctrica. Si no sigue todas las instrucciones indicadas abajo podrá resultar en una descarga eléctrica, un incendio y/o heridas graves.

Guarde todas las advertencias e instrucciones para futuras referencias.

El término "herramienta eléctrica" en las advertencias se refiere a su herramienta eléctrica de funcionamiento con

conexión a la red eléctrica (con cable) o herramienta eléctrica de funcionamiento a batería (sin cable).

Advertencias de seguridad para la sierra recíproca

GEB164-1

1. **Cuando realice una operación en la que el accesorio de corte pueda entrar en contacto con cableado oculto o con su propio cable, sujete la herramienta eléctrica por las superficies de aislamiento aisladas.** El contacto del accesorio de corte con un cable con corriente hará que la corriente circule por las partes metálicas expuestas de la herramienta eléctrica y podrá soltar una descarga eléctrica al operario.
2. **Utilice mordazas u otros medios de sujeción prácticos para sujetar y apoyar la pieza de trabajo en una plataforma estable.** Sujetada con la mano o contra su cuerpo, la pieza de trabajo estará inestable y podrá ocasionar la pérdida del control.
3. **Utilice siempre gafas de seguridad o pantalla facial. Las gafas normales o de sol NO son gafas de seguridad.**
4. **Evite cortar clavos. Inspeccione la pieza de trabajo por si tiene algún clavo y retirelos antes de empezar la operación.**
5. **No corte piezas de trabajo sobredimensionadas.**
6. **Compruebe que hay espacio suficiente debajo de la pieza de trabajo antes de cortar, de forma que la hoja de sierra no golpee contra el suelo, el banco de trabajo, etc.**
7. **Sujete la herramienta firmemente.**

8. **Asegúrese de que la hoja de sierra no está tocando la pieza de trabajo antes de activar el interruptor.**
9. **Mantenga las manos alejadas de las partes en movimiento.**
10. **No deje la herramienta en marcha. Tenga en marcha la herramienta solamente cuando la tenga en la mano.**
11. **Apague siempre la herramienta y espere hasta que la hoja de sierra se haya parado completamente antes de retirar la hoja de sierra de la pieza de trabajo.**
12. **No toque la hoja de sierra o la pieza de trabajo inmediatamente después de la operación; podrían estar muy calientes y quemarle la piel.**
13. **No utilice la herramienta en vacío innecesariamente.**
14. **Utilice siempre la mascarilla contra el polvo/ respirador correcto para el material y la aplicación con que esté trabajando.**
15. **Algunos materiales contienen sustancias químicas que pueden ser tóxicas. Tenga precaución para evitar la inhalación de polvo y el contacto con la piel. Siga los datos de seguridad del abastecedor del material.**

GUARDE ESTAS INSTRUCCIONES.

ADVERTENCIA:

NO deje que la comodidad o familiaridad con el producto (a base de utilizarlo repetidamente) sustituya la estricta observancia de las normas de seguridad para el producto en cuestión. El MAL USO o el no seguir las normas de seguridad establecidas en este manual de instrucciones podrá ocasionar heridas personales graves.

DESCRIPCIÓN DEL FUNCIONAMIENTO

PRECAUCIÓN:

- Asegúrese siempre de que la herramienta esté apagada y desenchufada antes de intentar realizar cualquier tipo de ajuste o comprobación en la ella.

Regulación de la zapata (Fig. 1 y 2)

Cuando la hoja de sierra pierda su eficacia de corte en un lugar a lo largo de su borde cortante, reposicione la zapata para utilizar una porción afilada y sin usar de su borde cortante. Esto ayudará a alargar la vida de servicio de la hoja de sierra. Para reposicionar la zapata, presione el botón de la zapata en la dirección "A" hasta oír un chasquido y reposiciónela como se muestra en la figura, lo cual le permitirá hacer un ajuste de cinco formas. Para sujetar la zapata, presione el botón de la zapata en la dirección "B" hasta oír un chasquido.

Selección de la acción de corte (Fig. 3)

Esta herramienta puede operarse con una acción de corte en línea recta u orbital. La acción de corte orbital empuja

la hoja hacia adelante en el golpe de corte y aumenta significativamente la velocidad de corte.

Para cambiar la acción de corte, pulse la clavija de retención y gire la palanca a la posición de la acción de corte deseada. Luego suelte la clavija de retención para trabar la palanca. Consulte la tabla para seleccionar la acción de corte adecuada.

NOTA:

- La acción orbital significa que la hoja de la sierra se mueve hacia arriba y hacia abajo, y hacia adelante y hacia atrás al mismo tiempo. Esta acción aumenta la eficacia de corte.

| Posición | Acción de corte | Aplicaciones |
|----------|---------------------------------|--|
| 0 | Acción de corte en línea recta | Para cortar acero inoxidable, acero dulce y plástico. Para cortes limpios en madera y madera terciada. |
| I | Acción de corte orbital pequeño | Para cortar aluminio, acero dulce y madera dura. |
| II | Acción de corte orbital mediano | Para cortar madera y madera terciada. Para cortar rápidamente aluminio y acero dulce. |
| III | Acción de corte orbital grande | Para cortar rápidamente madera y madera terciada. |

002525

Funcionamiento del interruptor (Fig. 4)

PRECAUCIÓN:

- Antes de enchufar la herramienta, asegúrese siempre de que el gatillo funcione como es debido y de que vuelva a la posición "OFF" (apagado) al soltarlo.

Para poner en marcha la herramienta, simplemente apriete el gatillo interruptor. La velocidad de la herramienta incrementa aumentando la presión en el gatillo interruptor. Suelte el gatillo interruptor para parar.

Para herramienta con interruptor de bloqueo

Específico para cada país

Para una operación continua, apriete el gatillo interruptor y después presione hacia dentro el botón de bloqueo. Para parar la herramienta desde la posición bloqueada, apriete el gatillo interruptor completamente, después suéltelo.

Dial de ajuste de velocidad (para el modelo JR3070CT) (Fig. 5)

Los golpes por minuto pueden ajustarse girando el dial de ajuste. Esto se puede hacer incluso cuando la herramienta se encuentra en funcionamiento. El dial está marcado desde el número 1 (velocidad mínima) hasta el 6

(velocidad máxima). Gire el dial de ajuste sin topes positivos entre 1 y 6, de acuerdo con el trabajo que realice.

Consulte la tabla para seleccionar la velocidad apropiada para la pieza de trabajo que vaya a cortar. Sin embargo, la velocidad apropiada podrá variar con el tipo o grosor de la pieza de trabajo. En general, una velocidad más alta le permitirá cortar la pieza de trabajo más rápidamente pero la vida de servicio del disco se reducirá.

| Número en el dial de ajuste | Golpes por minuto |
|-----------------------------|-------------------|
| 6 | 2.800 |
| 5 | 2.500 |
| 4 | 1.850 |
| 3 | 1.400 |
| 2 | 1.000 |
| 1 | 950 |

006574

| Pieza de trabajo a cortar | Número en el dial de ajuste |
|--|-----------------------------|
| Madera | 6 |
| Hormigón liviano curado con vapor de agua a gran presión | 5 - 6 |
| Acero suave | 3 - 4 |
| Aluminio | 3 - 5 |
| Plásticos | 1 - 4 |
| Acero inoxidable | 1 - 2 |

006584

NOTA:

- Si la herramienta se utiliza de forma continua a bajas velocidades durante un período de tiempo prolongado, la vida útil del motor se verá reducida.
- El dial de regulación de la velocidad puede girarse hasta 6 y de vuelta hasta 1 solamente. No lo fuerce más allá de 6 ó 1, o la función de ajuste de velocidad podrá dejar de funcionar.

Las herramientas equipadas con función electrónica son fáciles de utilizar gracias a las siguientes características.

Constante control de la velocidad

Control de velocidad electrónico para obtener velocidad constante. Se puede lograr un acabado fino, porque la velocidad de giro se mantiene constante incluso en condición de carga.

Función de inicio suave

Inicio seguro y suave gracias a la supresión del golpe de arranque.

MONTAJE

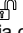
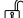
PRECAUCIÓN:

- Asegúrese siempre de que la herramienta esté apagada y desenchufada antes de intentar realizar cualquier trabajo en ella.

Instalación o extracción de la hoja de sierra

PRECAUCIÓN:

- Limpie siempre la virutas y materias extrañas adheridas a la cuchilla, abrazadera de la cuchilla y/o guía de deslizamiento. En caso contrario, la cuchilla podrá quedar insuficientemente apretada, pudiendo ocasionar graves heridas.

Para instalar la hoja de la sierra, siempre asegúrese de que la palanca de sujeción de hoja de la sierra se encuentre en la posición liberada  en la cubierta de aislamiento antes de insertar la hoja de la sierra. En cambio, si la palanca de sujeción de hoja de la sierra se encuentra en posición fija, gírela en el sentido de la flecha para que pueda trabarse en la posición liberada .


(Fig. 6)

Inserte la hoja de sierra en la sujeción de la hoja tanto como sea posible. La palanca de sujeción de la hoja gira y la hoja de sierra queda fija. Asegúrese de que no es posible extraer la hoja de sierra incluso si tira de ella.

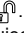

(Fig. 7)

NOTA:

- Si no inserta la hoja de sierra suficientemente a tope, la hoja de sierra podrá salirse inesperadamente durante la operación. Esto puede ser muy peligroso.

Si la palanca se encuentra dentro de la herramienta, encienda la herramienta durante un segundo para permitir que la hoja salga como se muestra en la figura. Apague la herramienta y desenchúfela de la red eléctrica. Para extraer la hoja de la sierra, gire completamente la palanca de sujeción de ésta en la dirección de la flecha. Se extrae la hoja de la sierra y su palanca se fija en la posición liberada . (Fig. 8)

NOTA:

- Mantenga las manos y los dedos alejados de la palanca durante la operación de encendido o apagado. En caso contrario se pueden producir lesiones personales.
- Si extrae la hoja de sierra sin girar completamente su palanca de sujeción, es posible que la palanca no quede trabada en la posición liberada . En este caso, gire nuevamente la palanca de sujeción de la hoja de la sierra completamente, y luego asegúrese de que haya quedado trabada en la posición liberada .

FUNCIONAMIENTO (Fig. 9)

PRECAUCIÓN:

- Presione siempre la zapata firmemente contra la pieza de trabajo durante el manejo. Si durante el manejo se retira o se separa la zapata de la pieza de trabajo, se pueden producir fuertes vibraciones y/o retorcimientos, con el consecuente riesgo de que la hoja de sierra se parta de forma peligrosa.
- Lleve siempre puestos guantes para proteger las manos de las rebabas calientes que salten al cortar metales.

- Asegúrese de ponerse siempre protección para los ojos apropiada que cumpla con las normas nacionales actuales.
- Utilice siempre líquido refrigerante apropiado (lubricante para cuchillas) al cortar metales. De no hacerlo, la cuchilla se desgastará más rápido.

Apriete la zapata bien fuerte contra la pieza que piensa trabajar. No permita que la herramienta dé saltos.

Coloque la cuchilla de manera que toque suavemente la pieza a trabajar. Primero, realice una muesca de prueba con una velocidad lenta. A continuación, acelere la velocidad para continuar cortando.

MANTENIMIENTO

PRECAUCIÓN:

- Asegúrese siempre de que la herramienta esté apagada y desenchufada antes de intentar realizar la inspección o el mantenimiento.
- Nunca utilice gasolina, benceno, disolvente, alcohol o un producto similar. Se puede provocar una decoloración, una deformación o grietas.

Reemplazo de las escobillas de carbón (Fig. 10)

Extraiga y compruebe las escobillas de carbón regularmente. Reemplácelas cuando se hayan gastado hasta la marca de límite. Mantenga las escobillas de carbón limpias y de forma que entren libremente en el portaescobillas. Ambas escobillas de carbón deberán ser reemplazadas al mismo tiempo. Utilice únicamente escobillas de carbón idénticas.

Utilice un destornillador para quitar los tapones portaescobillas. Extraiga las escobillas gastadas, inserte las nuevas y vuelva a fijar los tapones portaescobillas.

(Fig. 11)

Para mantener la SEGURIDAD y FIABILIDAD del producto, las reparaciones, y cualquier otra tarea de mantenimiento o ajuste deberán ser realizadas en Centros de servicio autorizados por Makita, empleando siempre repuestos Makita.

ACCESORIOS OPCIONALES

⚠ PRECAUCIÓN:

- Se recomienda el uso de estos accesorios o complementos con la herramienta Makita especificada en este manual. El uso de otros accesorios o complementos puede conllevar el riesgo de ocasionar daños corporales. Utilice los accesorios o complementos solamente para su fin establecido.

Si necesita cualquier ayuda para obtener más información relativa a estos accesorios, pregunte a su centro de servicio Makita local.

- Hojas de sierra de sable
- Maletín de plástico para el transporte

NOTA:

- Algunos elementos de la lista se pueden incluir en el paquete de la herramienta como accesorios estándar. Pueden ser diferentes de un país a otro.

Ruido

ENG905-1

Nivel de ruido típico de ponderación A establecido según EN62841-2-11:

Modelo JR3060T

Nivel de presión de sonido (L_{pA}): 90 dB (A)
 Nivel de potencia de sonido (L_{WA}): 98 dB (A)
 Incertidumbre (K): 3 dB (A)

Modelo JR3070CT

Nivel de presión de sonido (L_{pA}): 91 dB (A)
 Nivel de potencia de sonido (L_{WA}): 99 dB (A)
 Incertidumbre (K): 3 dB (A)

ENG907-1

- El valor (o los valores) de emisión de ruido declarado ha sido medido de acuerdo con un método de prueba estándar y se puede utilizar para comparar una herramienta con otra.
- El valor (o valores) de emisión de ruido declarado también se puede utilizar en una valoración preliminar de exposición.

⚠ ADVERTENCIA:

- **Póngase protectores para oídos.**
- **La emisión de ruido durante la utilización real de la herramienta eléctrica puede variar del valor (o los valores) de emisión declarado dependiendo de las formas en las que la herramienta sea utilizada, especialmente qué tipo de pieza de trabajo se procesa.**
- **Asegúrese de identificar medidas de seguridad para proteger al operario que estén basadas en una estimación de la exposición en las condiciones reales de utilización (teniendo en cuenta todas las partes del ciclo operativo como las veces cuando la herramienta está apagada y cuando está funcionando en vacío además del tiempo de gatillo).**

Vibración

ENG900-1

Valor total de vibración (suma de vectores triaxiales) establecido según la EN62841-2-11:

Modelo JR3060T

Modo de trabajo: corte de tablas
 Emisión de vibraciones ($a_{h,B}$): 15,5 m/s²
 Incertidumbre (K): 2,0 m/s²

Modo de trabajo: corte de piezas de madera
 Emisión de vibraciones ($a_{h,WB}$): 21,0 m/s²
 Incertidumbre (K): 1,5 m/s²

Modelo JR3070CT

Modo de trabajo: corte de tablas
 Emisión de vibraciones ($a_{h,B}$): 9,5 m/s²
 Incertidumbre (K): 1,5 m/s²

Modo de trabajo: corte de piezas de madera
 Emisión de vibraciones ($a_{h,WB}$): 10,5 m/s²
 Incertidumbre (K): 1,5 m/s²

ENG901-2

- El valor (o los valores) total de emisión de vibración declarado ha sido medido de acuerdo con un método de prueba estándar y se puede utilizar para comparar una herramienta con otra.

- El valor (o los valores) total de emisión de vibración declarado también se puede utilizar en una valoración preliminar de exposición.

 **ADVERTENCIA:**

- **La emisión de vibración durante la utilización real de la herramienta eléctrica puede variar del valor (o los valores) de emisión declarado dependiendo de las formas en las que la herramienta sea utilizada, especialmente qué tipo de pieza de trabajo se procesa.**
- **Asegúrese de identificar medidas de seguridad para proteger al operario que estén basadas en una estimación de la exposición en las condiciones reales de utilización (teniendo en cuenta todas las partes del ciclo operativo como las veces cuando la herramienta está apagada y cuando está funcionando en vacío además del tiempo de gatillo).**

Declaraciones de conformidad

Para países europeos solamente

Las declaraciones de conformidad están incluidas como Anexo A de este manual de instrucciones.

PORTUGUÊS (Instruções de origem)

Explicação geral

| | | |
|-------------------|--|---------------------------------|
| 1 Sapata | 6 Botão de bloqueio (Específico do país) | 10 Posição fixa |
| 2 Botão da sapata | 7 Botão regulador | 11 Lâmina |
| 3 Alavanca | 8 Manga do grampo da lâmina | 12 Alavanca do grampo da lâmina |
| 4 Batente | 9 Posição libertada | 13 Marca limite |
| 5 Gatilho | | 14 Tampa do porta-escovas |
| | | 15 Chave de fenda |

ESPECIFICAÇÕES

| Modelo | JR3060T | JR3070CT |
|-------------------------------------|-----------|----------|
| Comprimento de corte | 32 mm | |
| Capacidade max. de corte | Tubo | 130 mm |
| | Madeira | 255 mm |
| Movimentos/min (min ⁻¹) | 0 - 2.800 | |
| Comprimento total | 485 mm | |
| Peso | 4,4 kg | 4,6 kg |
| Classe de segurança | □/II | |

- Devido à pesquisa e desenvolvimento constantes, estas especificações estão sujeitas a alteração sem aviso prévio.
- Estas especificações podem diferir de país para país.
- Peso de acordo com procedimento EPTA de 01/2014

Utilização a que se destina ENF021-1

Esta ferramenta destina-se a cortar madeira, plástico, metal e materiais de construção de forte impacto. É adequada para cortes rectos e curvos.

Fonte de alimentação ENF002-2

A ferramenta apenas deve ser ligada a uma fonte de alimentação da mesma tensão que a indicada na chapa de especificações, e apenas pode funcionar com uma alimentação CA monofásica. Estão blindadas duplamente e podem, assim, ser igualmente ligadas a tomadas sem fio terra.

Avisos gerais de segurança para ferramentas elétricas GEA010-2

⚠ AVISO: Leia todos os avisos de segurança, instruções, ilustrações e especificações fornecidos com esta ferramenta elétrica. O não cumprimento de todas as instruções indicadas em baixo pode resultar em choque elétrico, incêndio e/ou ferimentos graves.

Guarde todos os avisos e instruções para futuras referências.

O termo “ferramenta elétrica” nos avisos refere-se às ferramentas elétricas ligadas à corrente elétrica (com cabo) ou às ferramentas elétricas operadas por meio de bateria (sem cabo).

Avisos de segurança da serra sabre GEB164-1

1. **Segure na ferramenta elétrica pelas superfícies de aderência isoladas quando executar uma operação em que o acessório de corte possa entrar em contacto com fios ocultos ou com o próprio cabo.** O contacto do acessório de corte com um fio elétrico “sob tensão” pode tornar as partes metálicas expostas da ferramenta elétrica “sob tensão” e pode causar um choque elétrico ao operador.
2. **Utilize grampos ou qualquer outro modo prático para prender e suportar a peça de trabalho numa superfície estável.** Segurar no peça de trabalho com a mão ou contra o corpo deixa-o instável e pode conduzir à perda de controlo.
3. **Utilize sempre óculos de segurança. Os óculos normais ou de sol NÃO são óculos de segurança.**
4. **Evite cortar pregos. Inspeccione a peça de trabalho e se tiver pregos, tire-os antes da operação.**
5. **Não corte peças de trabalho de tamanho muito grande.**
6. **Verifique se tem a folga adequada sob a peça de trabalho antes de cortar, de modo a que a lâmina não bata no chão, bancada, etc.**
7. **Segure a ferramenta firmemente.**
8. **Certifique-se de que a lâmina não está em contacto com a peça de trabalho antes de ligar o interruptor.**
9. **Mantenha as mãos afastadas das partes em movimento.**
10. **Não deixe a ferramenta a funcionar. Opere a ferramenta apenas quando a estiver a agarrar.**

11. **Desligue sempre e espere que a lâmina pare completamente antes de retirar a lâmina da peça de trabalho.**
12. **Não toque na lâmina ou na peça de trabalho imediatamente a seguir à operação pois podem estar extremamente quentes e provocar queimaduras.**
13. **Não utilize com a ferramenta em vazio desnecessariamente.**
14. **Utilize sempre a máscara de pó/respirador correto para o material e a aplicação com que está a trabalhar.**
15. **Alguns materiais contêm químicos que podem ser tóxicos. Tome cuidado para evitar a inalação de poeira e o contacto com a pele. Siga os dados de segurança do fornecedor do material.**

GUARDE ESTAS INSTRUÇÕES.

AVISO:

NÃO permita que conforto ou familiaridade com o produto (adquirido com o uso repetido) substitua a aderência estrita às regras de segurança da ferramenta. MÁ INTERPRETAÇÃO ou não seguimento das regras de segurança estabelecidas neste manual de instruções pode causar danos pessoais sérios.

DESCRIÇÃO DO FUNCIONAMENTO

PRECAUÇÃO:

- Certifique-se sempre de que a ferramenta está desligada e com a ficha retirada da tomada, antes de proceder a afinações ou de verificar o funcionamento respectivo.

Ajustar a sapata (Fig. 1 e 2)

Quando a lâmina perde a capacidade de corte num ponto da sua extremidade de corte, reposicione a sapata para utilizar uma porção afiada, não utilizada da sua extremidade de corte. Isto ajudará a prolongar a vida útil da lâmina. Para reposicionar a sapata, empurre o botão da sapata na direcção "A" com um clique e reposicione como indicado na figura o que lhe permite fazer ajustamentos em cinco direcções. Para prender a sapata, empurre o botão da sapata na direcção "B" com um clique.

Seleção da acção de corte (Fig. 3)

Esta ferramenta pode ser utilizada com uma acção de corte em linha recta ou orbital. A acção de corte orbital impulsiona o avanço da lâmina no curso do trabalho e aumenta significativamente a velocidade de corte.

Para alterar a acção de corte, prima o batente e rode a alavanca para a posição da acção de corte pretendida. De seguida, solte o batente para bloquear a alavanca. Consulte a acção de corte adequada na tabela.

NOTA:

- Acção orbital significa que o movimento da lâmina da serra é feito simultaneamente para cima e para baixo,

para trás e para a frente. Isto aumenta a eficiência do corte.

| Posição | Acção de corte | Aplicações |
|---------|---------------------------------|--|
| 0 | Acção de corte em linha recta | Para cortar aço macio, aço inoxidável e plásticos. Para cortes perfeitos em madeira e contraplacado. |
| I | Acção de corte orbital reduzido | Para cortar aço macio, alumínio e madeira dura. |
| II | Acção de corte orbital médio | Para cortar madeira e contraplacado. Para um corte rápido em alumínio e aço macio. |
| III | Acção de corte orbital grande | Para um corte rápido em madeira e contraplacado. |

002525

Funcionamento (Fig. 4)

PRECAUÇÃO:

- Antes de ligar a ferramenta, verifique sempre se o gatilho funciona correctamente e volta à posição OFF, quando o solta.

Para ligar a ferramenta, basta puxar o gatilho do interruptor. A velocidade da ferramenta aumenta à medida que se vai aumentando a pressão no gatilho do interruptor. Liberte o gatilho do interruptor para parar.

Para ferramentas com o interruptor de bloqueio

Específico do país

Para a operação contínua, puxe o gatilho do interruptor e, em seguida, empurre o botão de bloqueio. Para parar a ferramenta a partir da posição de bloqueada, puxe o gatilho do interruptor até ao fim e solte-o.

Botão regulador da velocidade (Para o modelo JR3070CT) (Fig. 5)

Os impulsos por minuto podem ser regulados, rodando o botão regulador. Isto pode ser feito mesmo com a ferramenta em funcionamento. O botão marca 1 (velocidade mais baixa) a 6 (velocidade mais alta). Rode o botão regulador sem paragens positivas entre 1 e 6, de acordo com o trabalho que está a realizar. Consulte a tabela para seleccionar a velocidade adequada à peça que quer cortar. No entanto, a velocidade correcta pode variar com o tipo ou a espessura da peça. De uma maneira geral as velocidades mais altas permitem-lhe cortar as peças mais depressa mas a duração da lâmina diminui.

| Número no botão regulador | Impulsos por minuto |
|---------------------------|---------------------|
| 6 | 2.800 |
| 5 | 2.500 |
| 4 | 1.850 |
| 3 | 1.400 |
| 2 | 1.000 |
| 1 | 950 |

006574

| Peça a cortar | Número do botão de regulação |
|------------------------|------------------------------|
| Madeira | 6 |
| Betão leve autoclavado | 5 - 6 |
| Aço macio | 3 - 4 |
| Alumínio | 3 - 5 |
| Plástico | 1 - 4 |
| Aço inoxidável | 1 - 2 |

006584

NOTA:

- Se a ferramenta for utilizada continuamente a baixas velocidades durante um longo período, o tempo de vida útil do motor será reduzida.
- Pode rodar o anel de regulação da velocidade até 6 e depois de novo para 1. Não o force para além de 6 ou 1, pois se o fizer, a função de regulação pode deixar de funcionar.

As ferramentas equipadas com funções electrónicas são fáceis de utilizar devido às funções indicadas a seguir.

Controlo de velocidade constante

Controlo electrónico da velocidade para obter uma velocidade constante. Pode obter um acabamento de qualidade porque a velocidade de rotação se mantém constante mesmo em condições difíceis.

Função de arranque suave

Segurança e arranque suave pois anula o choque do arranque.

MONTAGEM


PRECAUÇÃO:

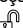
- Certifique-se sempre de que a ferramenta está desligada e com a ficha retirada da tomada, antes de efectuar qualquer trabalho na ferramenta.

Instalar ou remover a lâmina

PRECAUÇÃO:

- Limpe sempre quaisquer partículas ou matérias estranhas que tenham aderido à lâmina, suporte da lâmina e/ou ao cursor. Se assim não for, pode causar aperto insuficiente da lâmina e danos sérios.

Para instalar a lâmina da serra, antes de a introduzir, certifique-se de que a alavanca do grampo da lâmina está na posição libertada  na tampa de isolamento. Se a alavanca do grampo da lâmina estiver na posição fixa,


rode a alavanca na direcção da seta de modo a bloqueá-la na posição libertada . (Fig. 6)

Introduza a lâmina ao máximo no grampo da lâmina. A alavanca do grampo da lâmina roda e a lâmina fica fixa. Certifique-se de que a lâmina não pode ser retirada, mesmo que a tente puxar para fora. (Fig. 7)

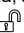

NOTA:

- Se não colocar a lâmina da serra suficientemente fundo, a lâmina da serra pode ser expelida inesperadamente durante a operação. Pode ser extremamente perigoso.

Se a alavanca estiver posicionada no interior da ferramenta, ligue a ferramenta por breves segundos, para permitir a saída da lâmina, tal como indicado na figura. Desligue a ferramenta e retire a respectiva ficha da tomada.

Para retirar a lâmina da serra, rode a alavanca do grampo da lâmina totalmente na direcção da seta. A lâmina da serra pode ser retirada e a alavanca do grampo da lâmina fixa-se na posição libertada . (Fig. 8)

NOTA:

- Mantenha mãos e dedos afastados da alavanca durante a operação de activação. Caso contrário, poderá sofrer ferimentos.
- Se retirar a lâmina da serra sem rodar totalmente a alavanca do grampo da lâmina, a alavanca poderá não se fixar na posição libertada . Neste caso, deverá rodar novamente a alavanca do grampo da lâmina na totalidade e, depois, certificar-se de que esta está bloqueada na posição libertada .

OPERAÇÃO (Fig. 9)

PRECAUÇÃO:

- Prima sempre firmemente a sapata contra a peça de trabalho durante o funcionamento. Se a sapata for removida ou mantida longe da peça de trabalho durante o funcionamento, ocorrerão vibrações e/ou torções, fazendo com que a lâmina salte perigosamente.
- Quando cortar metal use sempre luvas para proteger as mãos das fagulhas que saltam.
- Certifique-se sempre de que usa protecção para os olhos adequada que esteje de acordo com as normas nacionais actuais.
- Utilize sempre um lubrificante adequado (óleo para cortes) quando cortar metal, a fim de evitar o desgaste prematuro da lâmina.

Pressione a sapata firmemente contra superfície de trabalho. Não deixe a ferramenta bater. Exerça uma ligeira pressão na lâmina sobre a superfície de trabalho. Em primeiro lugar, faça uma ranhura piloto utilizando uma velocidade mais lenta. De seguida, utilize uma velocidade mais rápida para continuar a cortar.

MANUTENÇÃO

PRECAUÇÃO:

- Certifique-se sempre de que a ferramenta está desligada e com a ficha retirada da tomada antes de

tentar proceder à inspeção, ou à manutenção da ferramenta.

- Nunca utilize gasolina, benzina, diluente, álcool ou semelhante. Podem formar-se descolorações, deformações ou fissuras.

Substituição das escovas de carvão (Fig. 10)

Desmonte e verifique as escovas de carvão regularmente. Substitua-as quando estas apresentarem um desgaste até à marca limite. Mantenha as escovas de carvão limpas e soltas, podendo deslizar nos suportes. Ambas as escovas de carvão devem ser substituídas em simultâneo. Utilize exclusivamente escovas de carvão idênticas.

Recorra a uma chave de fendas para retirar as tampas dos suportes de escovas. Retire as escovas de carvão gastas, introduza as novas e fixe as tampas dos suportes.

(Fig. 11)

Para manter a SEGURANÇA e a FIABILIDADE do produto, as reparações e qualquer outra manutenção ou ajuste devem ser levadas a cabo pelos centros de assistência Makita autorizados, utilizando sempre peças de substituição Makita.

ACESSÓRIOS OPCIONAIS

⚠ PRECAUÇÃO:

- Os seguintes acessórios ou extensões são os recomendados para utilizar com a ferramenta Makita especificada neste manual. A utilização de quaisquer outros acessórios poderá representar um risco de ferimento para as pessoas. Apenas utilize o acessório para o fim indicado.

Se precisar de informações adicionais relativas aos acessórios, contacte o centro local de assistência Makita.

- Lâminas de sabre
- Maleta de plástico

NOTA:

- Alguns itens na lista podem estar incluídos no pacote de ferramentas como acessórios de série. Podem diferir de país para país.

Ruído

Os níveis acústicos ponderados A típicos foram determinados segundo a EN62841-2-11:

ENG905-1

Modelo JR3060T

Nível de pressão sonora (L_{pA}): 90 dB (A)
Nível de potência sonora (L_{WA}): 98 dB (A)
Imprecisão (K): 3 dB (A)

Modelo JR3070CT

Nível de pressão sonora (L_{pA}): 91 dB (A)
Nível de potência sonora (L_{WA}): 99 dB (A)
Imprecisão (K): 3 dB (A)

ENG907-1

- O(s) valor(es) da emissão de ruído indicado(s) foi medido de acordo com um método de teste padrão e pode ser utilizado para comparar duas ferramentas.
- O(s) valor(es) da emissão de ruído indicado(s) pode também ser utilizado na avaliação preliminar da exposição.

⚠ AVISO:

- Utilize protetores auriculares.
- **A emissão de ruído durante a utilização real da ferramenta elétrica pode diferir do(s) valor(es) indicado(s), dependendo das formas como a ferramenta é utilizada, especialmente o tipo de peça de trabalho que é processada.**
- **Certifique-se de identificar as medidas de segurança para proteção do operador que sejam baseadas em uma estimativa de exposição em condições reais de utilização (considerando todas as partes do ciclo de operação, tal como quando a ferramenta está desligada e quando está a funcionar em marcha lenta além do tempo de acionamento).**

Vibração

ENG900-1

O valor total da vibração (soma vectorial triaxial) é determinado segundo a EN62841-2-11:

Modelo JR3060T

Modo de trabalho: cortar placas
Emissão de vibração ($a_{h,B}$): 15,5 m/s²
Imprecisão (K): 2,0 m/s²

Modo de trabalho: cortar traves de madeira
Emissão de vibração ($a_{h,WB}$): 21,0 m/s²
Imprecisão (K): 1,5 m/s²

Modelo JR3070CT

Modo de trabalho: cortar placas
Emissão de vibração ($a_{h,B}$): 9,5 m/s²
Imprecisão (K): 1,5 m/s²

Modo de trabalho: cortar traves de madeira
Emissão de vibração ($a_{h,WB}$): 10,5 m/s²
Imprecisão (K): 1,5 m/s²

ENG901-2

- O(s) valor(es) total(ais) de vibração indicado(s) foi medido de acordo com um método de teste padrão e pode ser utilizado para comparar duas ferramentas.
- O(s) valor(es) total(ais) de vibração indicado(s) pode também ser utilizado na avaliação preliminar da exposição.

⚠ AVISO:

- **A emissão de vibração durante a utilização real da ferramenta elétrica pode diferir do(s) valor(es) indicado(s), dependendo das formas como a ferramenta é utilizada, especialmente o tipo de peça de trabalho que é processada.**
- **Certifique-se de identificar as medidas de segurança para proteção do operador que sejam baseadas em uma estimativa de exposição em condições reais de utilização (considerando todas as partes do ciclo de operação, tal como quando a ferramenta está desligada e quando está a funcionar em marcha lenta além do tempo de acionamento).**

Declarações de conformidade

Apenas para os países europeus

As Declarações de conformidade estão incluídas no Anexo A deste manual de instruções.

Illustrationsoversigt

| | | |
|--------------------|----------------------------|---------------------------------|
| 1 Føringsslag | 6 Låseknop (landespecifik) | 11 Klinge |
| 2 Føringsslagsknop | 7 Drejeknapp til justering | 12 Håndtag til klingefastholder |
| 3 Håndtag | 8 Klingefastholderbøsning | 13 Slidgrænse |
| 4 Stopper | 9 Frigjort stilling | 14 Kulholderdæksel |
| 5 Omskifterknop | 10 Fastlåst position | 15 Skruetrækker |

SPECIFIKATIONER

| Model | | JR3060T | JR3070CT |
|--------------------------------|-----|-----------|----------|
| Slaglængde | | 32 mm | |
| Maks. Skærekapacitet | Rør | 130 mm | |
| | Træ | 255 mm | |
| Slagantal (min ⁻¹) | | 0 - 2.800 | |
| Længde | | 485 mm | |
| Vægt | | 4,4 kg | 4,6 kg |
| Sikkerhedsklasse | | □/II | |

- På grund af vores løbende forsknings- og udviklingsprogram kan specifikationerne heri ændres uden forudgående varsel.
- Specifikationerne kan variere fra land til land.
- Vægt i henhold til EPTA-procedure 01/2014

Tilsigtet anvendelse ENE021-1

Denne maskine er beregnet til savning af træ, plast, metal og byggematerialer med kraftigt slag. Den er velegnet til savning af lige snit og buer.

Strømforsyning ENF002-2

Værktøjet bør kun sluttes til en strømforsyning med den spænding, der er angivet på mærkepladen, og det kan kun benyttes med enkeltfaset vekselstrøm. Det er dobbelt isoleret og kan derfor også sluttes til stikkontakter uden jordforbindelse.

Almindelige sikkerhedsregler for el-værktøj GEA010-2

⚠ ADVARSEL: Læs alle de sikkerhedsadvarsler, instruktioner, illustrationer og specifikationer, der følger med denne maskine. Forsømmelse af at overholde alle nedenstående instruktioner kan medføre elektrisk stød, brand og/eller alvorlig personskade.

Gem alle advarsler og instruktioner til fremtidig reference.

Ordet "el-værktøj" i advarslerne henviser til det netforsynede (netledning) el-værktøj eller batteriforsynede (akku) el-værktøj.

Sikkerhedsadvarsler for bøjnetsav GEB164-1

1. **Hold maskinen i de isolerede håndtagsflader, når der udføres et arbejde, hvor det skærende tilbehør kan komme i kontakt med skjulte ledninger eller maskinens egen ledning.** Skærende tilbehør, som kommer i kontakt med en strømførende ledning, kan bevirke, at udsatte metaldele på maskinen bliver strømførende, hvorved operatøren kan få elektrisk stød.
2. **Anvend spændestykker eller en anden praktisk måde til at fastspænde og støtte arbejdsemnet til en stabil flade.** Hvis arbejdsemnet holdes med hånden eller støttes mod kroppen, vil det være ustabil, hvilket kan medføre, at De mister kontrollen over det.
3. **Anvend altid sikkerhedsbriller.** Almindelige briller eller solbriller er IKKE det samme som sikkerhedsbriller.
4. **Undgå at save i søm. Tjek arbejdsemnet for søm, og fjern dem, før arbejdet påbegyndes.** Sav ikke i for store arbejdsemner.
5. **Tjek for tilstrækkelig frigang under arbejdsemnet, før der saves, så klingens ikke rammer gulvet, arbejdsbænken eller lignende.**
6. **Hold godt fast i maskinen.**
7. **Sørg for, at klingens ikke er i kontakt med arbejdsemnet, før der trykkes på afbryderen.**
8. **Hold hænderne væk fra bevægelige dele.**
9. **Lad ikke maskinen køre i tomgang. Anvend kun maskinens håndholdt.**
10. **Sluk altid, og vent, indtil klingens står helt stille, før klingens fjernes fra arbejdsemnet.**

12. Rør ikke ved klingen eller arbejdsemnet umiddelbart efter anvendelse. De kan begge være meget varme og forårsage forbrænding af huden.
13. Anvend ikke maskinen unødigt uden belastning.
14. Anvend altid korrekt støvmaske/åndedrætsværn i henhold til det materiale og den anvendelse, De arbejder med.
15. Nogle materialer indeholder kemikalier, som kan være giftige. Vær påpasselig med at forhindre inhalering af støv og hudkontakt. Følg materialeleverandørens sikkerhedsdata.

GEM DENNE BRUGSANVISNING.

⚠ ADVARSEL:

LAD IKKE bekvemmelighed eller kendskab til produktet (opnået gennem gentagen brug) forhindre, at sikkerhedsforskrifterne for produktet nøje overholdes. MISBRUG eller forsømmelse af at følge de i denne brugsvejledning givne sikkerhedsforskrifter kan føre til, at De kommer alvorligt til skade.

FUNKTIONSBESKRIVELSE

FORSIGTIG:

- Kontroller altid, at maskinen er slået fra, og at netstikket er trukket ud, før der udføres justeringer eller funktioner kontrolleres på denne sav.

Indstilling af føringsanslag (Fig. 1 og 2)

Når savklingens skærekant er nedslidt et sted, kan De ændre føringsanslagets indstilling, så De efterfølgende kan anvende et skarpt, ubrugt sted på savklingen. Derved øges savklingens levetid.

For at ændre indstillingen af føringsanslaget, skal De trykke føringsanslagsknappen i retning af "A" med et klik og ændre indstillingen som vist på illustrationen, hvilket gør det muligt at udføre en femvejs indstilling. For at fastgøre føringsanslaget, trykkes føringsanslagsknappen i retning af "B" med et klik.

Valg af skæring (Fig. 3)

Værktøjet kan benyttes med skæring i bue eller lige linje. Ved skæring i bue skubbes klingens fremad ved skærebevægelsen, hvorved skærehastigheden forøges væsentligt.

Hvis De vil ændre skæring, skal De trykke på stopperen og dreje håndtaget til den ønskede indstilling for skæring. Slip derefter stopperen for at låse håndtaget fast. Se i tabellen for at vælge den ønskede skæring.

BEMÆRK:

- Skæring med buebevægelse betyder, at savklingen bevæges op og ned samt frem og tilbage på samme tid. Dette forøger skæreeffektiviteten.

| Stilling | Skæring | Anvendelser |
|----------|--------------------------|---|
| 0 | Lige skæring | Til skæring i blødt stål, rustfrit stål og plastik. Til rene skær i træ og krydsfiner. |
| I | Skæring i lille bue | Til skæring i blødt stål, aluminium og hårdt træ. |
| II | Skæring i middelstor bue | Til skæring i træ og krydsfiner. Til hurtig skæring i aluminium og blødt stål. |
| III | Skæring i stor bue | Til hurtig skæring i træ og krydsfiner. |

002525

Afbryderfunktion (Fig. 4)

FORSIGTIG:

- Før de sætter savens netstik i, bør De sikre Dem, at afbryderen fungerer korrekt og at den springer tilbage i "OFF" positionen, når den slippes.

For at starte maskinen skal du blot trykke på afbryderknappen. Maskinens hastighed øges ved øget tryk på afbryderknappen. Slip afbryderknappen for at stoppe.

For maskiner med låsekontakt

Landespecifik

For kontinuerlig brug skal du trykke på afbryderknappen og derefter skubbe låseknappen ind. For at stoppe maskinen fra den låste position skal du trykke afbryderknappen helt ind og derefter slippe den.

Drejeknap til justering af hastighed (på JR3070CT) (Fig. 5)

Antallet af slag pr. minut kan justeres ved at dreje med drejeknappen. Det kan gøres, selvom værktøjet kører. Drejeknappen har mærker fra 1 (laveste hastighed) til 6 (fuld hastighed). Drej med drejeknappen uden stop mellem 1 og 6 i overensstemmelse med dit arbejde. Se i tabellen for at vælge den rigtige hastighed til det emne, der skal skæres i. Den korrekte hastighed kan dog afhænge af emnets type eller tykkelse. Med en højere hastighed kan du som regel skære hurtigere i emner, men klingens levetid forringes.

| Nummer på drejeknappen | Slag pr. minut |
|------------------------|----------------|
| 6 | 2.800 |
| 5 | 2.500 |
| 4 | 1.850 |
| 3 | 1.400 |
| 2 | 1.000 |
| 1 | 950 |

006574

| Emne, der skal skæres i | Nummer på drejeknappen |
|-------------------------------|------------------------|
| Træ | 6 |
| Autoklaveret letvægtsbeton | 5 - 6 |
| Blødt stål | 3 - 4 |
| Aluminium | 3 - 5 |
| Plastik | 1 - 4 |
| Rustfrit stål | 1 - 2 |

006584

BEMÆRK:

- Hvis værktøjet anvendes i længere tid ved lav hastighed, reduceres motorens levetid.
- Drejeknappen til hastighedsjustering kan kun drejes op til 6 og tilbage til 1. Prøv ikke at tvinge den forbi 6 eller 1, da hastighedsjusteringen ellers kan gå i stykker.

Værktøjer, som er udstyret med elektronisk funktion, er nemme at betjene på grund af følgende funktioner.

Konstant hastighedskontrol

Elektronisk hastighedskontrol til at sikre konstant hastighed. Mulighed for at opnå et pænt finish, da rotationshastigheden er konstant selv under vekslende belastning.

Funktion til blød start

Sikkerhed og blød start med forebyggelse af ryk ved start.

MONTERING



FORSIGTIG:

- Sørg altid for at maskinen er slukket og netstikket trukket ud, før der foretages noget arbejde på selve maskinen.

Montering eller afmontering af savklingen

FORSIGTIG:

- Fjern altid spån og andet, der måtte klæbe til savklingen, savklingeholderen og/eller hopstangen. Forsømmelse af dette kan resultere i utilstrækkelig tilspænding af savklingen, hvilket igen kan føre til alvorlig tilskadekomst.

For at montere en savklinge skal De altid sørge for, at håndtaget til klingefastholderen er i frigjort position  på isoleringsdækslet, før De indsætter savklingen. Hvis klingefastholderhåndtaget er i fastlåst position, roteres håndtaget i pilens retning, så det kan låses i den frigjorte position . (Fig. 6)


Sæt savklingen så langt ind i klingefastholderen, som den kan komme. Klingefastholderhåndtaget drejes, og savklingen er fastgjort. Sørg for, at savklingen sidder helt fast, selv om du forsøger at trække den ud. (Fig. 7)

BEMÆRK:

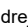

- Hvis man ikke sætter savklingen tilstrækkeligt langt ind, kan savklingen pludselig blive skudt ud under brugen. Dette kan være ekstremt farligt.

Hvis håndtaget er placeret inden i værktøjet, skal De tænde værktøjet et øjeblik, for at klingens kommer ud som vist i figuren.

Sluk og afbryd værktøjets forbindelse fra elnettet.

For at demontere savklingen drejes håndtaget til klingefastholderen hele vejen i pilens retning. Savklingen tages ud, og klingefastholderhåndtaget låses fast i den frigjorte position . (Fig. 8)

BEMÆRK:

- Hold hænder og fingre væk fra håndtaget under udskiftningen. Hvis De ikke gør dette, kan det medføre personskaade.
- Hvis De fjerner savklingen uden at dreje håndtaget til klingefastholderen hele vejen, er håndtaget muligvis ikke låst fast i den frigjorte position . Drej i så fald klingefastholderhåndtaget hele vejen igen, og sørg for, at det er låst fast i den frigjorte position .

DRIFT (Fig. 9)

FORSIGTIG:

- Tryk altid føringsanslaget fast mod arbejdsemnet under anvendelsen. Hvis føringsanslaget fjernes eller holdes væk fra arbejdsemnet under anvendelsen, kan der opstå kraftige vibrationer og/eller vridninger, hvilket kan få klingene til at brække af farlig vis.
- Ved savning af metal bør De altid bære handsker for at beskytte hænderne mod flyvende, varme spåner.
- Sørg altid for at bære passende øjenbeskyttelse, som er i overensstemmelse med de gældende nationale standarder.
- Ved savning af metal bør De altid anvende et egnet kølemiddel (skæreeolie). Anvender De ikke kølemiddel medfører det unødvendigt slid på savklingen.

Tryk føringsanslaget fast mod emnet for at undgå tilbageslag på saven. Hold saven således, at savklingen netop berører emnet. Lav først en prøverille med en langsommere hastighed. Førøg derefter hastigheden for at fortsætte savningen.

VEDLIGHOLDELSE

FORSIGTIG:

- Kontroller altid, at maskinen er slået fra, og at netstikket er trukket ud, før der udføres eftersyn eller vedligeholdelse.
- Brug aldrig benzin, benzen, fortynder, alkohol eller lignende. Det kan muligvis medføre misfarvning, deformation eller revner.

Udskiftning af kulbørsterne (Fig. 10)

Tag kulbørsterne ud og efterse dem periodisk. Kullene skal udskiftes, når de er slidt ned til slidgrænsen. Hold kulbørsterne rene, så de altid passer ind i hullerne. Begge kulbørster bør udskiftes parvis og samtidigt. Anvend kun identiske kulbørster.

Benyt en skruetrækker til at fjerne kuldækslerne. Tag de slidte kulbørster ud, sæt de nye i, og fastgør kuldækslerne. (Fig. 11)

For at opretholde produktets SIKKERHED og PÅLIDELIGHED, må istandsættelse, vedligeholdelse eller justering kun udføres af et autoriseret Makita service center med anvendelse af Makita reservedele.

EKSTRAUDSTYR

FORSIGTIG:

- Dette tilbehør eller ekstraudstyr anbefales til brug med det Makita-værktøj, som er beskrevet i denne brugsanvisning. Brug af andet tilbehør eller ekstraudstyr kan forårsage personskade. Brug kun tilbehør eller ekstraudstyr til det formål, det er beregnet til.

Henvend dig til dit lokale Makita-servicecenter, hvis du har brug for hjælp eller yderligere oplysninger vedrørende tilbehøret.

- Bajonetsavklinger
- Transportkuffert

BEMÆRK:

- Visse dele på listen er muligvis indeholdt maskinindpakningen som standardtilbehør. De kan variere fra land til land.

Støj

ENG905-1

Det typiske A-vægtede lydtryksniveau bestemte i overensstemmelse med EN62841-2-11:

Model JR3060T

Lydtryksniveau (L_{pA}): 90 dB (A)
Lydkraftniveau (L_{WA}): 98 dB (A)
Usikkerhed (K): 3 dB (A)

Model JR3070CT

Lydtryksniveau (L_{pA}): 91 dB (A)
Lydkraftniveau (L_{WA}): 99 dB (A)
Usikkerhed (K): 3 dB (A)

ENG907-1

- De(n) angivne støjemissionsværdi(er) er målt i overensstemmelse med en standardtestmetode og kan anvendes til at sammenligne en maskine med en anden.
- De(n) angivne støjemissionsværdi(er) kan også anvendes i en præliminær eksponeringsvurdering.

ADVARSEL:

- **Bær høreværn.**
- **Støjemissionen under den faktiske anvendelse af maskinen kan være forskellig fra de(n) angivne værdi(er), afhængigt af den måde hvorpå maskinen anvendes, især den type arbejdsemne der behandles.**
- **Sørg for at identificere de sikkerhedsforskrifter til beskyttelse af operatøren, som er baseret på en vurdering af eksponering under de faktiske brugsforhold (med hensyntagen til alle dele i brugscyklussen, f.eks. de gange, hvor maskinen er slukket, og når den kører i tomgang i tilgift til afbrydertiden).**

Vibration

ENG900-1

Den samlede vibrationsværdi (treaksial vektorsum) bestemte i overensstemmelse med EN62841-2-11:

Model JR3060T

Arbejdstilstand: savning i plader
Vibrationsemission ($a_{h,B}$): 15,5 m/s²
Usikkerhed (K): 2,0 m/s²

Arbejdstilstand: savning i træbjælker
Vibrationsemission ($a_{h,WB}$): 21,0 m/s²
Usikkerhed (K): 1,5 m/s²

Model JR3070CT

Arbejdstilstand: savning i plader
Vibrationsemission ($a_{h,B}$): 9,5 m/s²
Usikkerhed (K): 1,5 m/s²

Arbejdstilstand: savning i træbjælker
Vibrationsemission ($a_{h,WB}$): 10,5 m/s²
Usikkerhed (K): 1,5 m/s²

ENG901-2

- De(n) angivne totalværdi(er) for vibration er målt i overensstemmelse med en standardtestmetode og kan anvendes til at sammenligne en maskine med en anden.
- De(n) angivne totalværdi(er) for vibration kan også anvendes i en præliminær eksponeringsvurdering.

ADVARSEL:

- **Vibrationsemissionen under den faktiske anvendelse af maskinen kan være forskellig fra de(n) angivne værdi(er), afhængigt af den måde hvorpå maskinen anvendes, især den type arbejdsemne der behandles.**
- **Sørg for at identificere de sikkerhedsforskrifter til beskyttelse af operatøren, som er baseret på en vurdering af eksponering under de faktiske brugsforhold (med hensyntagen til alle dele i brugscyklussen, f.eks. de gange, hvor maskinen er slukket, og når den kører i tomgang i tilgift til afbrydertiden).**

Overensstemmelseserklæringer

Kun for lande i Europa

Overensstemmelseserklæringerne er inkluderet i Bilag A i denne brugsanvisning.

ΕΛΛΗΝΙΚΑ (Πρωτογενείς οδηγίες)

Περιγραφή γενικής άψης

| | | |
|----------------------|---|-----------------------------|
| 1 Πέλαμα | 6 Κουμπί κλειδώματος (ειδικό της χώρας) | 10 Σταθεροποιημένη θέση |
| 2 Κουμπί πέλαματος | 7 Επιλογέας ρύθμισης | 11 Λάμα |
| 3 Μοχλός | 8 Περιβλήμα συγκράτησης λάμας | 12 Μοχλός συγκράτησης λάμας |
| 4 Στοπ | 9 Ελευθερωμένη θέση | 13 νδείξη ορίου |
| 5 Σκανδάλη διακόπτης | | 14 Καπάκι θήκης ψήκτρας |
| | | 15 Κατσαβίδι |

ΤΕΧΝΙΚΑ ΧΑΡΑΚΤΗΡΙΣΤΙΚΑ

| Μοντέλο | JR3060T | JR3070CT |
|--|-----------|----------|
| Μήκος διαδρομής | 32 χιλ | |
| Μεγ. ικανότητα κοπής | Σωλήνας | 130 χιλ |
| | Ξύλο | 255 χιλ |
| Διαδρομές ανά λεπτό (λεπ ⁻¹) | 0 - 2.800 | |
| Ολικό μήκος | 485 χιλ | |
| Βάθος καθαρό | 4,4 Χγρ | 4,6 Χγρ |
| Κατηγορία ασφάλειας | □/II | |

- Λόγω του συνεχόμενου προγράμματος που εφαρμόζουμε για έρευνα και ανάπτυξη, τα τεχνικά χαρακτηριστικά στο παρόν έντυπο υπόκεινται σε αλλαγή χωρίς προειδοποίηση.
- Τα τεχνικά χαρακτηριστικά ενδέχεται να διαφέρουν ανάλογα με τη χώρα.
- Βάρος σύμφωνα με τη διαδικασία ΕΡΤΑ 01/2014

Προοριζόμενη χρήση

ENE021-1

Το εργαλείο προορίζεται για πριόνισμα ξύλου, πλαστικού, μετάλλου και οικοδομικών υλικών με.

Ηλεκτρική παροχή

ENF002-2

Το εργαλείο πρέπει να συνδέεται μόνο σε ηλεκτρική παροχή της ίδιας τάσης με αυτήν που αναγράφεται στην πινακίδα ονομαστικών τιμών και μπορεί να λειτουργήσει μόνο με εναλλασσόμενο μονοφασικό ρεύμα. Τα εργαλεία αυτά διαθέτουν διπλή μόνωση και συνεπώς μπορούν να συνδεθούν με πρίζες χωρίς γείωση.

Γενικές προειδοποιήσεις ασφαλείας για το ηλεκτρικό εργαλείο

GEA010-2

⚠ ΠΡΟΕΙΔΟΠΟΙΗΣΗ: Διαβάστε όλες τις προειδοποιήσεις ασφαλείας, οδηγίες, εικονογραφήσεις και προδιαγραφές που παρέχονται με αυτό το ηλεκτρικό εργαλείο. Η μη τήρηση όλων των οδηγιών που αναγράφονται κατωτέρω μπορεί να καταλήξει σε ηλεκτροπληξία, πυρκαγιά ή/και σοβαρό τραυματισμό.

Φυλάξτε όλες τις προειδοποιήσεις και τις οδηγίες για μελλοντική παραπομπή.

Στις προειδοποιήσεις, ο όρος "ηλεκτρικό εργαλείο" αναφέρεται σε ηλεκτρικό εργαλείο που τροφοδοτείται από την κύρια παροχή ηλεκτρικού ρεύματος (με ηλεκτρικό

καλώδιο) ή σε ηλεκτρικό εργαλείο που τροφοδοτείται από μπαταρία (χωρίς ηλεκτρικό καλώδιο).

Προειδοποιήσεις ασφαλείας για τη σπαθιοσέγα

GEB164-1

1. **Να κρατάτε το ηλεκτρικό εργαλείο από τις μονωμένες επιφάνειες λαβής όταν εκτελείτε εργασίες κατά τις οποίες το εξάρτημα κοπής μπορεί να έρθει σε επαφή με κρυμμένα καλώδια ή το δικό του ηλεκτρικό καλώδιο.** Σε περίπτωση επαφής του εξαρτήματος κοπής με ηλεκτροφόρο καλώδιο, μπορεί να εκτεθειμένα μεταλλικά εξαρτήματα του ηλεκτρικού εργαλείου να καταστούν τα ίδια ηλεκτροφόρα και να προκαλέσουν ηλεκτροπληξία στο χειριστή.
2. **Να χρησιμοποιείτε σφιγκτήρες ή κάποιο άλλο πρακτικό μέσο για να ασφαλίσετε και να στηρίξετε το τεμάχιο εργασίας σε μια σταθερή πλατφόρμα.** Αν κρατάτε το τεμάχιο εργασίας με το χέρι σας ή επάνω στο σώμα σας, θα είναι ασταθές και μπορεί να χάσετε τον έλεγχο.
3. **Να χρησιμοποιείτε πάντα γυαλιά ασφαλείας ή προστατευτικά γυαλιά. Τα συνηθισμένα γυαλιά οράσεως ή γυαλιά ηλίου DEN είναι γυαλιά ασφαλείας.**
4. **Να αποφεύγετε την κοπή καρφιών. Να επιθεωρείτε το τεμάχιο εργασίας για καρφιά και αφαιρέστε τα πριν από τη λειτουργία.**
5. **Μην κόβετε υπερμεγέθη τεμάχια εργασίας.**
6. **Πριν από την κοπή, να ελέγχετε ότι υπάρχει επαρκής απόσταση πίσω από το τεμάχιο**

εργασίας ώστε η λάμα να μη χτυπήσει το δάπεδο, τον πάγκο εργασίας, κτλ.

7. Κρατήστε το εργαλείο σταθερά.
8. Να βεβαιώνετε ότι η λάμα δεν ακουμπάει το τεμάχιο εργασίας πριν ενεργοποιήσετε το διακόπτη.
9. Μην πλησιάζετε τα χέρια σας σε κινούμενα μέρη.
10. Μην αφήνετε το εργαλείο σε λειτουργία. Το εργαλείο πρέπει να βρίσκεται σε λειτουργία μόνο όταν το κρατάτε.
11. Να σβήνετε πάντα το εργαλείο και να περιμένετε να σταματήσει να κινείται εντελώς η λάμα πριν τη βγάλετε από το τεμάχιο εργασίας.
12. Μην αγγίζετε τη λάμα ή το τεμάχιο εργασίας αμέσως μετά τη λειτουργία. Μπορεί να είναι εξαιρετικά ζεστά και να σας προκαλέσουν εγκαύματα.
13. Μη θέτετε το εργαλείο σε λειτουργία χωρίς φορτίο όταν αυτό δεν είναι απαραίτητο.
14. Να χρησιμοποιείτε πάντα προσωπίδα κατά της σκόνης/αναπνευστήρα που είναι κατάλληλα για το υλικό και την εφαρμογή σας.
15. Μερικά υλικά περιέχουν χημικά που μπορεί να είναι τοξικά. Προσέχετε ώστε να αποφεύγετε την εισπνοή σκόνης και την επαφή με το δέρμα. Ακολουθείτε τα δεδομένα ασφάλειας υλικού που παρέχονται από τον προμηθευτή.

ΦΥΛΑΞΤΕ ΤΙΣ ΟΔΗΓΙΕΣ ΑΥΤΕΣ.

ΠΡΟΕΙΔΟΠΟΙΗΣΗ:

ΜΗΝ επιτρέψετε το βαθμό άνεσης ή εξοικείωσης με το προϊόν (λόγω επανειλημμένης χρήσης) να αντικαταστήσει την αυστηρή τήρηση των κανόνων ασφαλείας του παρόντος εργαλείου. Η **ΛΑΝΘΑΣΜΕΝΗ ΧΡΗΣΗ** ή η αμέλεια να ακολουθήσετε τους κανόνες ασφαλείας που διατυπώνονται στο παρόν εγχειρίδιο οδηγιών μπορεί να προκαλέσει σοβαρό προσωπικό τραυματισμό.

ΛΕΙΤΟΥΡΓΙΚΗ ΠΕΡΙΓΡΑΦΗ

ΠΡΟΣΟΧΗ:

- άντοτε να βεβαιώνετε ότι το εργαλείο είναι σβηστό και αποσυνδεδεμένο από το ρεύμα πριν ρυθμίσετε ή ελέγξετε κάποια λειτουργία στο εργαλείο.

Ρύθμιση του πέλματος (Εικ. 1 και 2)

Όταν η λάμα χάνει την επάρκεια κοψίματος σε κάποιο τμήμα της κόψης της, επανατοποθετήστε το πέλμα για να χρησιμοποιήσετε ένα αιχμηρό, αχρησιμοποίητο τμήμα της κόψης της. Αυτό θα βοηθήσει στην επιμήκυνση της ζωής της λάμας. Για να επανατοποθετήσετε το πέλμα, σπρώξτε το κουμπί πέλματος στη διεύθυνση "Α" με ένα κλικ και επανατοποθετήστε όπως φαίνεται στην εικόνα, πράγμα που σας επιτρέπει να κάνετε ρύθμιση πέντε τρόπων. Για να ασφαλίσετε το πέλμα, σπρώξτε το κουμπί πέλματος στη διεύθυνση "Β" με ένα κλικ.

Επιλογή της κοπτικής λειτουργίας (Εικ. 3)

Μπορείτε να χρησιμοποιείτε το εργαλείο αυτό με κοπτική λειτουργία καμπύλης ή ευθείας. Με την κοπτική λειτουργία

καμπύλης, η λάμα ωθείται προς τα εμπρός στη διαδρομή κοπής και αυξάνεται πολύ η ταχύτητα κοπής.

Για να αλλάξετε την κοπτική λειτουργία, πιέστε το στοπ και στρέψτε το μοχλό στη θέση της επιθυμητής κοπτικής λειτουργίας. Κατόπιν, απελευθερώστε το στοπ για να ασφαλίσετε το μοχλό. Ανατρέξτε στον πίνακα για να επιλέξετε την κατάλληλη κοπτική λειτουργία.

ΣΗΜΕΙΩΣΗ:

- Η λειτουργία καμπύλης σημαίνει ότι η λάμα του πριονιού κινείται πάνω-κάτω, και ταυτόχρονα μπρος-πίσω. Με αυτόν τον τρόπο, αυξάνεται η αποδοτικότητα της κοπής.

| Θέση | Κοπτική λειτουργία | Εφαρμογές |
|------|-------------------------------------|--|
| 0 | Κοπτική λειτουργία ευθείας | Για το κόψιμο μαλακού ατσαλιού, ανοξείδωτο ατσαλιού και πλαστικών. Για το καθαρό κόψιμο ξύλου και κοντραπλακέ. |
| I | Κοπτική λειτουργία μικρής καμπύλης | Για το κόψιμο μαλακού ατσαλιού, αλουμινίου και σκληρού ξύλου. |
| II | Κοπτική λειτουργία μέτριας καμπύλης | Για το κόψιμο ξύλου και κοντραπλακέ. Για γρήγορο κόψιμο αλουμινίου και μαλακού ατσαλιού. |
| III | Κοπτική λειτουργία μεγάλης καμπύλης | Για γρήγορο κόψιμο ξύλου και κοντραπλακέ. |

002525

Λειτουργία διακόπτη (Εικ. 4)

ΠΡΟΣΟΧΗ:

- Πριν συνδέσετε το μηχάνημα στο ρεύμα, πάντοτε να ελέγχετε να δείτε ότι η σκανδάλη διακόπτης ενεργοποιεί κανονικά και επιστρέφει στη θέση "OFF" όταν ελευθερώνεται.

Για να ξεκινήσετε το εργαλείο, απλώς τραβήξτε τη σκανδάλη διακόπτη. Η ταχύτητα του εργαλείου αυξάνει αν αυξήσετε την πίεση στη σκανδάλη διακόπτη. Για διακοπή της λειτουργίας, ελευθερώστε τη σκανδάλη διακόπτη.

Για εργαλείο με διακόπτη με κλειδίωμα

Ειδικό της χώρας

Για συνεχόμενη λειτουργία, τραβήξτε τη σκανδάλη διακόπτη και κατόπιν πατήστε το κουμπί ασφάλισης. Για να σταματήσετε το εργαλείο από την κλειδωμένη θέση, τραβήξτε πλήρως τη σκανδάλη διακόπτη και κατόπιν αφήστε την.

Επιλογέας ρύθμισης ταχύτητας (Για το μοντέλο JR3070CT) (Εικ. 5)

Μπορείτε να ρυθμίσετε τις διαδρομές ανά λεπτό, αν περιστρέψετε απλά τον επιλογέα ρύθμισης. Αυτό μπορεί να πραγματοποιηθεί ακόμα και κατά τη λειτουργία του εργαλείου. Ο επιλογέας είναι σημειωμένος από 1

(χαμηλότερη ταχύτητα) έως 6 (τελική ταχύτητα).
Περιστρέψτε τον επιλογέα ρύθμισης απευθείας μεταξύ του 1 και του 6 ανάλογα με την εργασία σας.

Ανατρέξτε στον πίνακα για να επιλέξετε την κατάλληλη ταχύτητα για το τεμάχιο εργασίας που θα κόψετε. Η κατάλληλη ταχύτητα όμως μπορεί να διαφέρει ανάλογα με τον τύπο ή το πάχος του τεμαχίου εργασίας. Σε γενικές γραμμές, αν χρησιμοποιείτε υψηλότερες ταχύτητες, θα κόβετε τα τεμάχια εργασίας πιο γρήγορα, αλλά θα μειωθεί η διάρκεια λειτουργίας της λάμας.

| Αριθμηση στον επιλογέα ρύθμισης | Διαδρομές ανά λεπτό |
|---------------------------------|---------------------|
| 6 | 2.800 |
| 5 | 2.500 |
| 4 | 1.850 |
| 3 | 1.400 |
| 2 | 1.000 |
| 1 | 950 |

006574

| Τεμάχιο εργασίας που θα κόψετε | Αριθμηση στον επιλογέα ρύθμισης |
|-------------------------------------|---------------------------------|
| Ξύλο | 6 |
| Θερμικά επεξεργασμένο ελαφρύ μπετόν | 5 - 6 |
| Μαλακό ασάλι | 3 - 4 |
| Αλουμίνιο | 3 - 5 |
| Πλαστικό | 1 - 4 |
| Ανοξειδωτο ασάλι | 1 - 2 |

006584

ΣΗΜΕΙΩΣΗ:

- Αν το εργαλείο λειτουργεί συνεχώς σε χαμηλές ταχύτητες για μεγάλο χρονικό διάστημα η διάρκεια ζωής του κινητήρα θα ελαττωθεί.
- Μπορείτε να περιστρέψετε τον επιλογέα ρύθμισης ταχύτητας μόνο έως το 6 και όχι λιγότερο από το 1. Μην τον πιέζετε πέρα από το 6 ή το 1, μπορεί με τον τρόπο αυτό να καταστραφεί ο επιλογέας ρύθμισης.

Τα εργαλεία που είναι εξοπλισμένα με ηλεκτρονική λειτουργία είναι εύκολα στη χρήση λόγω των ακόλουθων χαρακτηριστικών.

Ρύθμιση σταθερής ταχύτητας

Ηλεκτρονική ρύθμιση ταχύτητας για επίτευξη σταθερής ταχύτητας. Μπορείτε να έχετε ένα κομψό αποτέλεσμα επειδή η ταχύτητα περιστροφής διατηρείται σταθερή ακόμα κι όταν το εργαλείο υποβάλλεται σε φόρτο.

Χαρακτηριστικό ομαλής έναρξης

Ασφαλής και ομαλή έναρξη επειδή καταστέλλεται η αιφνίδια έναρξη.

ΣΥΝΑΡΜΟΛΟΓΗΣΗ



ΠΡΟΣΟΧΗ:

- Πάντοτε να βεβαιώνετε ότι το εργαλείο είναι σβηστό και αποσυνδεδεμένο από το ρεύμα πριν εκτελέσετε οποιαδήποτε εργασία στο εργαλείο.

Τοποθέτηση ή αφαίρεση της λάμας σταθροσέγας

ΠΡΟΣΟΧΗ:

- Πάντοτε να καθαρίζετε όλα τα θραύσματα ή ξένα υλικά που είναι προσκολλημένα στη λάμα, στη μέγκενη της λάμας ή/και στον ολισθητή. Εάν δεν κάνετε έτσι, ίσως θα έχει ως συνέπεια ανεπαρκές σφίξιμο της λάμας, που μπορεί να προκαλέσει σοβαρό τραυματισμό.

Για να τοποθετήσετε την πριονωτή λάμα, να βεβαιώνετε πάντα ότι ο μοχλός συγκράτησης λάμας βρίσκεται σε ελευθερωμένη θέση  στο μονωτικό κάλυμμα πριν τοποθετήσετε την πριονωτή λάμα. Εάν ο μοχλός συγκράτησης λάμας βρίσκεται στη σταθεροποιημένη θέση, περιστρέψτε το μοχλό συγκράτησης λάμας προς την κατεύθυνση του βέλους έτσι ώστε να ασφαλίσει στην ελευθερωμένη θέση  **(Εικ. 6)**


Τοποθετήστε τη λάμα σταθροσέγας μέσα στο σφιγκτήρα της λάμας έως το τέρμα. Ο μοχλός του σφιγκτήρα της λάμας περιστρέφεται και με τον τρόπο αυτό σταθεροποιείται η λάμα σταθροσέγας. Βεβαιωθείτε ότι η λάμα σταθροσέγας δεν βγαίνει έξω ακόμα κι όταν προσπαθείτε να την τραβήξετε για να βγει. **(Εικ. 7)**

ΣΗΜΕΙΩΣΗ:



- Εάν δεν βάλετε τη λάμα του πριονιού αρκετά βαθιά μπορεί να εκπιναχτεί ξαφνικά κατά τη διάρκεια της λειτουργίας. Κάτι τέτοιο είναι εξαιρετικά επικίνδυνο.

Εάν ο μοχλός βρίσκεται μέσα στο εργαλείο, ενεργοποιήστε στιγμιαία το εργαλείο για να βγει η λάμα έξω όπως δείχνεται στην εικόνα.

Σβήστε και αποσυνδέστε το εργαλείο από το ηλεκτρικό ρεύμα.

Για να βγάλετε την πριονωτή λάμα, περιστρέψτε πλήρως το μοχλό συγκράτησης λάμας προς την κατεύθυνση του βέλους. Η πριονωτή λάμας βγαίνει και ο μοχλός συγκράτησης λάμας σταθεροποιείται στην ελευθερωμένη θέση  **(Εικ. 8)**

ΣΗΜΕΙΩΣΗ:

- Κρατήστε τα χέρια και τα δάκτυλά σας μακριά από τον μοχλό κατά την εναλλαγή της λειτουργίας. Αν δεν τηρήσετε αυτήν την οδηγία, μπορεί να προκληθεί τραυματισμός.
- Εάν βγάλετε την πριονωτή λάμα χωρίς να περιστρέψετε πλήρως το μοχλό συγκράτησης λάμας, ο μοχλός μπορεί να μην ασφαλίσει στην ελευθερωμένη θέση . Στην περίπτωση αυτή, περιστρέψτε ξανά και πλήρως το μοχλό συγκράτησης λάμας και κατόπιν βεβαιωθείτε ότι ο μοχλός συγκράτησης λάμας ασφαλίσει στην ελευθερωμένη θέση .

ΛΕΙΤΟΥΡΓΙΑ (ΕΙΚ. 9)

ΠΡΟΣΟΧΗ:

- Κατά τη λειτουργία, να πιέζετε πάντοτε το πέλμα σταθερά επάνω στο τεμάχιο εργασίας. Αν, κατά τη λειτουργία, το πέλμα αφαιρεθεί ή κρατηθεί μακριά από το τεμάχιο εργασίας, παράγονται ισχυροί κραδασμοί ή/και δυνάμεις στρέψης που μπορεί να προκαλέσουν το επικίνδυνο σπάσιμο της λάμας.

- Πάντοτε να φοράτε γάντια για να προστατεύετε τα χέρια σας από καυτά εκτοξευόμενα ριπίσματα όταν κόβετε μέταλλα.
- Να είστε σίγουροι ότι πάντοτε φοράτε κατάλληλα προστατευτικά για τα μέτρα σύμφωνα με τους τρέχοντες εθνικούς κανονισμούς.
- Πάντοτε να χρησιμοποιείτε ένα κατάλληλο ψυκτικό (έλαιο κοπής) όταν κόβετε μέταλλα. Εάν δεν το κάνετε αυτό, θα προκληθεί πρόωρη φθορά στη λάμα.

Πιέστε το πέλμα σταθερά επάνω στο αντικείμενο εργασίας. Μην αφήσετε το μηχάνημα να αναπηδήσει. Φέрте τη λάμα σε ελαφρά επαφή με το αντικείμενο εργασίας. Πρώτα, κάντε ένα δοκιμαστικό αυλάκι χρησιμοποιώντας μικρή ταχύτητα. Κατόπιν, χρησιμοποιήστε μεγαλύτερη ταχύτητα για να συνεχίσετε το κόψιμο.

ΣΥΝΤΗΡΗΣΗ

ΠΡΟΣΟΧΗ:

- Πάντοτε να βεβαιώνετε ότι το εργαλείο είναι σβηστό και αποσυνδεδεμένο από το ρεύμα πριν επιχειρήσετε να κάνετε επιθεώρηση ή συντήρηση.
- Μην χρησιμοποιήσετε βενζίνη, βενζόλη, διαλυτικό, αλκοόλη ή κάτι παρόμοιο. Μπορεί να προκληθεί αποχρωματισμός, παραμόρφωση ή ρωγμές.

Αντικατάσταση ψηκτρών άνθρακα (Εικ. 10)

Αφαιρείτε και ελέγχετε τις ψήκτρες άνθρακα τακτικά. Αντικαθιστάτε τις όταν έχουν φθαρεί στην ένδειξη ορίου. Κρατάτε τις ψήκτρες άνθρακα καθαρές και ελεύθερες να γλιστρούν στις θήκες. Και οι δύο ψήκτρες άνθρακα πρέπει να αντικαθίστανται ταυτόχρονα. Χρησιμοποιείτε μόνο ταυτόσημες ψήκτρες άνθρακα.

Χρησιμοποιείτε ένα κατασβίδι για να αφαιρέσετε τα καπάκια των ψηκτρών άνθρακα. Βγάλετε τις φθαρμένες ψήκτρες άνθρακα, βάλτε τις καινούργιες και ασφαλίστε τα καπάκια των ψηκτρών άνθρακα. **(Εικ. 11)**

Για τη διατήρηση της ΑΣΦΑΛΕΙΑΣ και ΑΞΙΟΠΙΣΤΙΑΣ του προϊόντος, επισκευές, οποιαδήποτε άλλη συντήρηση ή ρύθμιση πρέπει να εκτελούνται από Εξουσιοδοτημένα Κέντρα Εξυπηρέτησης της Makita, πάντοτε με χρήση ανταλλακτικών Makita.

ΠΡΟΑΙΡΕΤΙΚΑ ΑΞΕΣΟΥΑΡ

ΠΡΟΣΟΧΗ:

- Συνιστάται η χρήση αυτών των αξεσουάρ ή εξαρτημάτων με το εργαλείο της Makita, όπως περιγράφεται στο παρόν χειριρίδιο. Αν χρησιμοποιήσετε άλλα αξεσουάρ ή εξαρτήματα μπορεί να παρουσιαστεί κίνδυνος για πρόκληση τραυματισμού προσώπων. Να χρησιμοποιείτε τα αξεσουάρ και τα εξαρτήματα μόνο για το σκοπό για τον οποίο προορίζονται.

Αν χρειάζεστε κάποια βοήθεια ή περισσότερες πληροφορίες σχετικά με τα αξεσουάρ αυτά, απευθυνθείτε στο πλησιέστερο κέντρο εξυπηρέτησης της Makita.

- Λάμες σπαθοσέγας
- Πλαστική θήκη μεταφοράς

ΣΗΜΕΙΩΣΗ:

- Ορισμένα από τα στοιχεία της λίστα μπορεί να περιέχονται στην συσκευασία του εργαλείου ως κανονικά αξεσουάρ. Αυτά ενδέχεται να διαφέρουν από χώρα σε χώρα.

Θόρυβος

Το σύνηθες σταθμισμένο επίπεδο θορύβου που έχει καθοριστεί σύμφωνα με την EN62841-2-11:

ENG905-1

Μοντέλο JR3060T

Επίπεδο ηχητικής πίεσης (L_{pA}): 90 dB (A)
Επίπεδο ηχητικής ισχύος (L_{WA}): 98 dB (A)
Αβεβαιότητα (K): 3 dB (A)

Μοντέλο JR3070CT

Επίπεδο ηχητικής πίεσης (L_{pA}): 91 dB (A)
Επίπεδο ηχητικής ισχύος (L_{WA}): 99 dB (A)
Αβεβαιότητα (K): 3 dB (A)

ENG907-1

- Η δηλωμένη τιμή(ές) εκπομπής θορύβου έχει μετρηθεί σύμφωνα με την πρότυπη μέθοδο δοκιμής και μπορεί να χρησιμοποιηθεί για τη σύγκριση ενός εργαλείου με κάποιο άλλο.
- Η δηλωμένη τιμή(ές) εκπομπής θορύβου μπορεί να χρησιμοποιηθεί και στην προκαταρκτική αξιολόγηση της έκθεσης.

⚠️ ΠΡΟΕΙΔΟΠΟΙΗΣΗ:

- **Να φοράτε ωτοασπίδες.**
- **Η εκπομπή θορύβου κατά τη χρήση του ηλεκτρικού εργαλείου σε πραγματικές συνθήκες μπορεί να διαφέρει από τη δηλωμένη τιμή(ές) ανάλογα με τους τρόπους χρήσης του εργαλείου, ιδιαίτερα το είδος του τεμαχίου εργασίας που υπόκειται επεξεργασία.**
- **Φροντίστε να λάβετε τα κατάλληλα μέτρα προστασίας του χειριστή βάσει ενός υπολογισμού της έκθεσης σε πραγματικές συνθήκες χρήσης (λαμβάνοντας υπόψη όλες τις συνιστώσες του κύκλου λειτουργίας όπως τους χρόνους που το εργαλείο είναι εκτός λειτουργίας και όταν βρίσκεται σε αδρανή λειτουργία πέραν του χρόνου ενεργοποίησης).**

Κραδασμοί

Η συνολική τιμή κραδασμών (άθροισμα τριαξονικού διανύσματος) που έχει καθοριστεί σύμφωνα με την EN62841-2-11:

ENG900-1

Μοντέλο JR3060T

Κατάσταση λειτουργίας: κοπή σανίδων
Εκπομπή δόνησης ($a_{h,B}$): 15,5 m/s²
Αβεβαιότητα (K): 2,0 m/s²

Κατάσταση λειτουργίας: κοπή ξύλινων δοκαριών
Εκπομπή δόνησης ($a_{h,WB}$): 21,0 m/s²
Αβεβαιότητα (K): 1,5 m/s²

Μοντέλο JR3070CT

Κατάσταση λειτουργίας: κοπή σανίδων
Εκπομπή δόνησης ($a_{h,B}$): 9,5 m/s²
Αβεβαιότητα (K): 1,5 m/s²

Κατάσταση λειτουργίας: κοπή ξύλινων δοκαριών
Εκπομπή δόνησης ($a_{h,WB}$): 10,5 m/s²
Αβεβαιότητα (K): 1,5 m/s²

ENG901-2

- Η δηλωμένη τιμή(ές) συνολικών κραδασμών έχει μετρηθεί σύμφωνα με την πρότυπη μέθοδο δοκιμής και μπορεί να χρησιμοποιηθεί για τη σύγκριση ενός εργαλείου με κάποιο άλλο.

- Η δηλωμένη τιμή(ές) συνολικών κραδασμών μπορεί να χρησιμοποιηθεί και στην προκαταρκτική αξιολόγηση της έκθεσης.

⚠️ ΠΡΟΕΙΔΟΠΟΙΗΣΗ:

- **Η εκπομπή κραδασμών κατά τη χρήση του ηλεκτρικού εργαλείου σε πραγματικές συνθήκες μπορεί να διαφέρει από τη δηλωμένη τιμή(ές) εκπομπής ανάλογα με τους τρόπους χρήσης του εργαλείου, ιδιαίτερα το είδος του τεμαχίου εργασίας που υπόκειται επεξεργασία.**
- **Φροντίστε να λάβετε τα κατάλληλα μέτρα προστασίας του χειριστή βάσει ενός υπολογισμού της έκθεσης σε πραγματικές συνθήκες χρήσης (λαμβάνοντας υπόψη όλες τις συνιστώσες του κύκλου λειτουργίας όπως τους χρόνους που το εργαλείο είναι εκτός λειτουργίας και όταν βρίσκεται σε αδρανή λειτουργία πέραν του χρόνου ενεργοποίησης).**

Δήλωση Συμμόρφωσης

Μόνο για χώρες της Ευρώπης

Οι Δηλώσεις Συμμόρφωσης περιλαμβάνονται στο Παράρτημα Α στο παρόν εγχειρίδιο οδηγιών.

Makita Europe N.V.

Jan-Baptist Vinkstraat 2, 3070 Kortenberg, Belgium

Makita Corporation

3-11-8, Sumiyoshi-cho, Anjo, Aichi 446-8502 Japan

www.makita.com

884592J992

IDE

