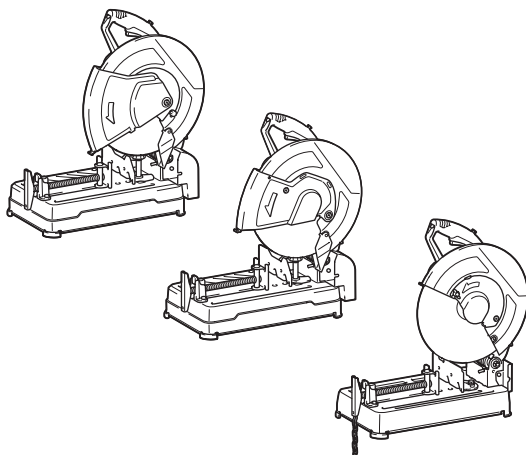




EN	Portable Cut-Off	INSTRUCTION MANUAL	6
FR	Scie à Coupe d'Onglet à Métaux (Disque)	MANUEL D'INSTRUCTIONS	12
DE	Trennschleifmaschine	BETRIEBSANLEITUNG	19
IT	Troncatrice portatile	ISTRUZIONI PER L'USO	27
NL	Draagbare afkortcirkelzaag	GEBRUIKSAANWIJZING	34
ES	Tronzadora de Metal	MANUAL DE INSTRUCCIONES	41
PT	Serra Rápida Portátil	MANUAL DE INSTRUÇÕES	48
EL	Φορητός κόφτης	ΕΓΧΕΙΡΙΔΙΟ ΟΔΗΓΙΩΝ	55
TR	Portatif Kesici	KULLANMA KILAVUZU	62

LW1400

LW1401



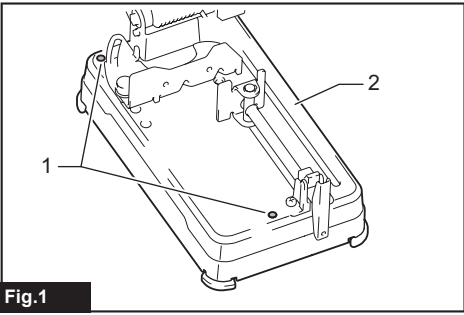


Fig.1

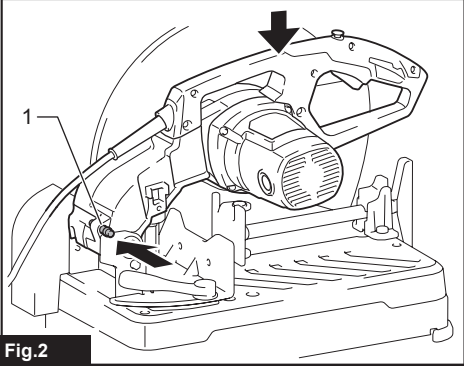


Fig.2

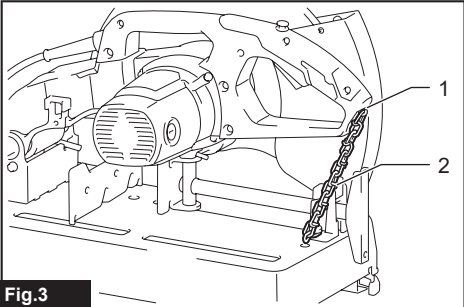


Fig.3

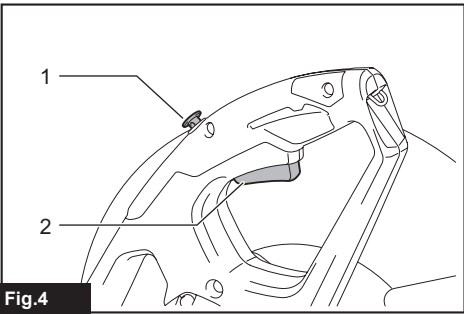


Fig.4

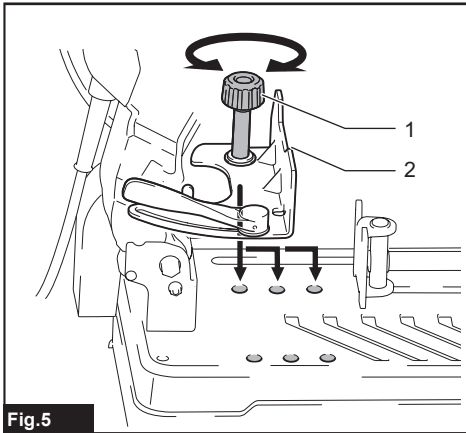


Fig.5

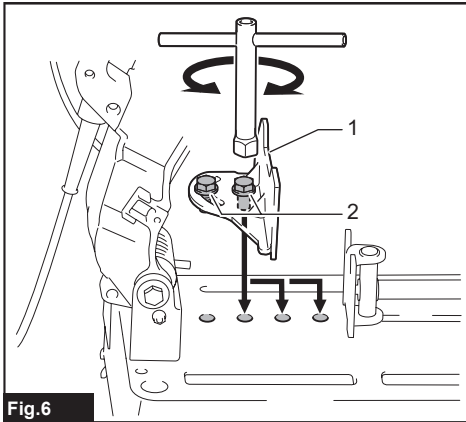


Fig.6

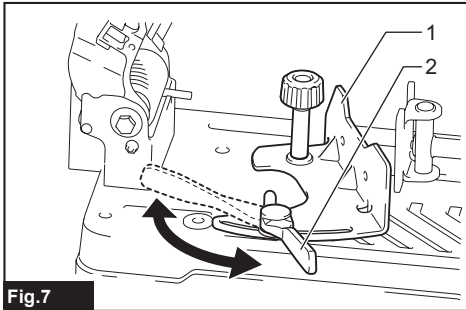


Fig.7

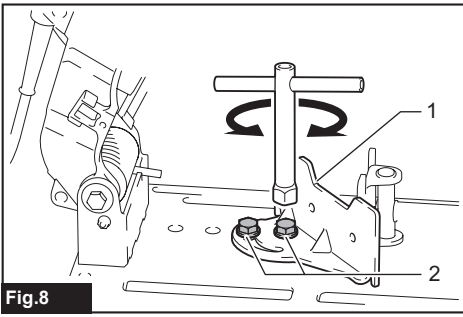


Fig.8

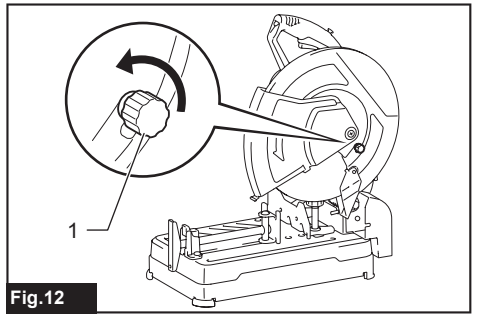


Fig.12

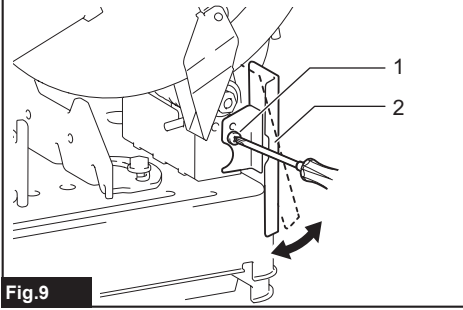


Fig.9

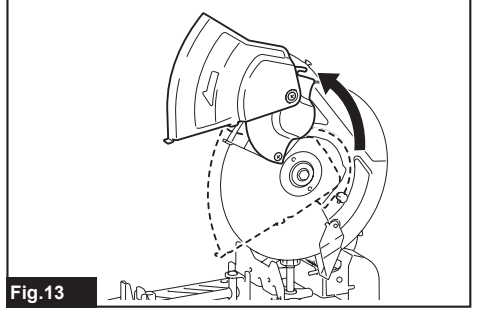


Fig.13

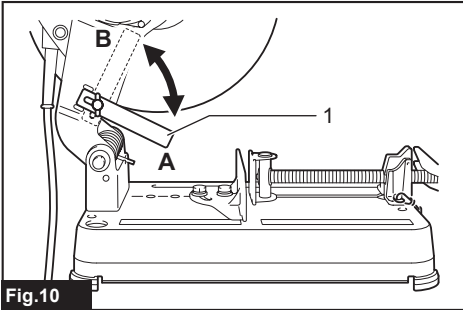


Fig.10

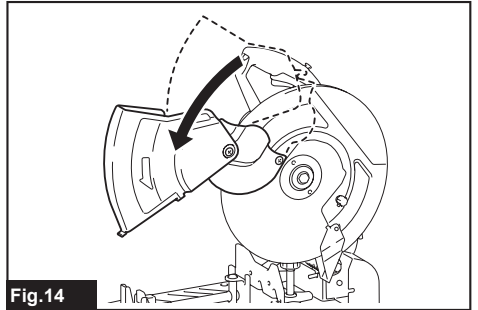


Fig.14

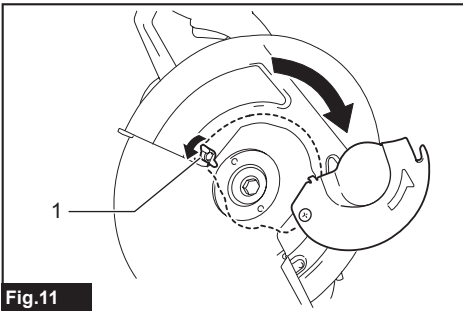


Fig.11

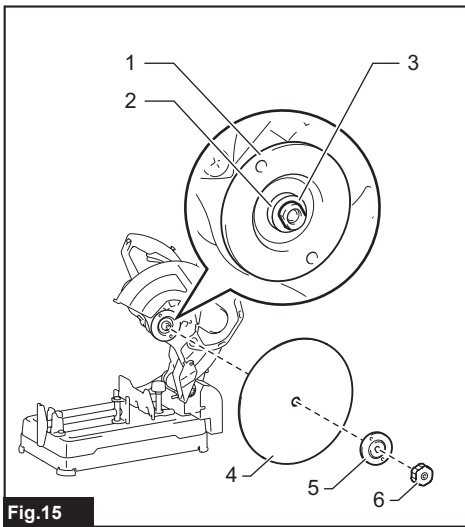


Fig.15

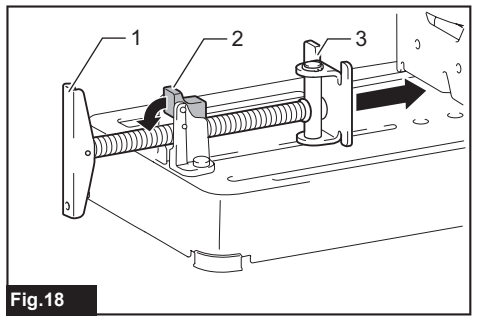


Fig.18

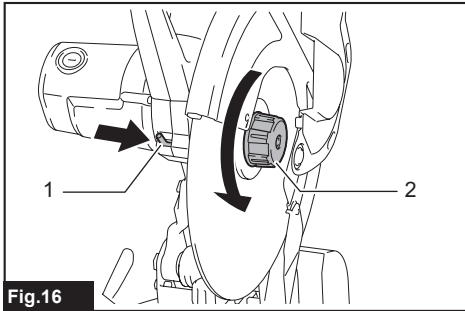


Fig.16

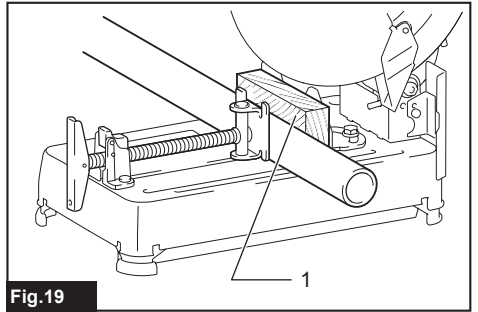


Fig.19

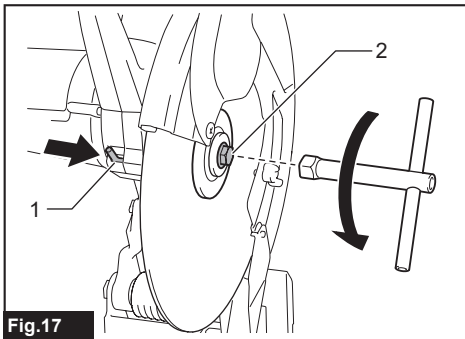


Fig.17

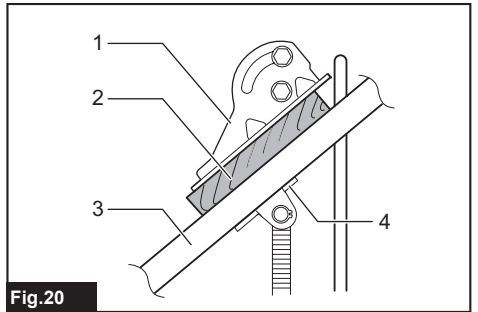


Fig.20

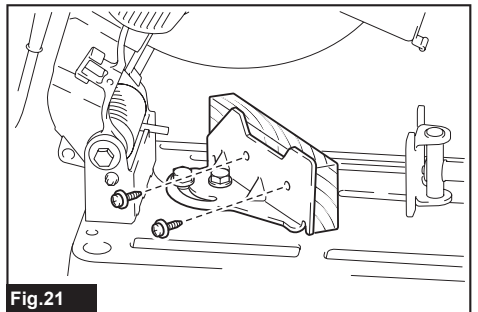
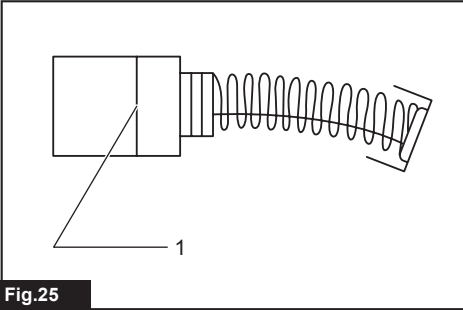
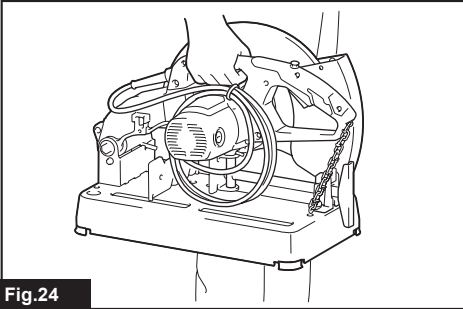
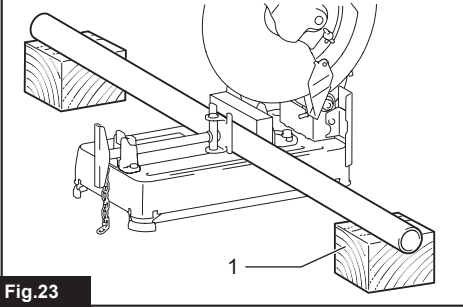
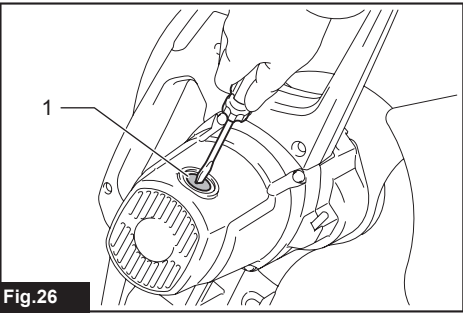
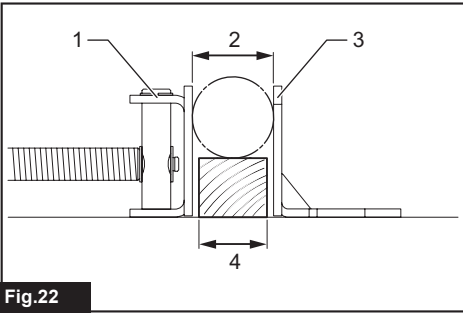


Fig.21



SPECIFICATIONS

Model:		LW1400	LW1401
Wheel diameter		355 mm	
Max. wheel thickness		3 mm	
Hole diameter		25.4 mm	
No load speed		3,800 min ⁻¹	
Dimensions (L x W x H)	With European type safety guard	530 mm x 295 mm x 640 mm	500 mm x 295 mm x 640 mm
	With safety guard other than European type	530 mm x 295 mm x 640 mm	500 mm x 290 mm x 620 mm
Net weight	With European type safety guard and under cover	18.7 kg	18.3 kg
Safety class		□/II	

- Due to our continuing program of research and development, the specifications herein are subject to change without notice.
- Specifications may differ from country to country.
- Weight according to EPTA-Procedure 01/2014
- The shape and weight vary depending on the specifications which differ country to country.

Intended use

The tool is intended for cutting in ferrous materials with appropriate abrasive cut-off wheel. Follow all laws and regulations regarding dust and work area health and safety in your country.

Power supply

The tool should be connected only to a power supply of the same voltage as indicated on the nameplate, and can only be operated on single-phase AC supply. They are double-insulated and can, therefore, also be used from sockets without earth wire.

For public low-voltage distribution systems of between 220 V and 250 V

Switching operations of electric apparatus cause voltage fluctuations. The operation of this device under unfavorable mains conditions can have adverse effects to the operation of other equipment. With a mains impedance equal or less than 0.18 Ohms it can be presumed that there will be no negative effects. The mains socket used for this device must be protected with a fuse or protective circuit breaker having slow tripping characteristics.

Noise

The typical A-weighted noise level determined according to EN62841-3-10:

Model LW1400

Sound pressure level (L_{pA}) : 102 dB (A)
 Sound power level (L_{WA}) : 110 dB (A)
 Uncertainty (K) : 3 dB (A)

Model LW1401

Sound pressure level (L_{pA}) : 102 dB(A)

Sound power level (L_{WA}) : 110 dB (A)
 Uncertainty (K) : 3 dB(A)

NOTE: The declared noise emission value(s) has been measured in accordance with a standard test method and may be used for comparing one tool with another.

NOTE: The declared noise emission value(s) may also be used in a preliminary assessment of exposure.

⚠WARNING: Wear ear protection.

⚠WARNING: The noise emission during actual use of the power tool can differ from the declared value(s) depending on the ways in which the tool is used especially what kind of workpiece is processed.

⚠WARNING: Be sure to identify safety measures to protect the operator that are based on an estimation of exposure in the actual conditions of use (taking account of all parts of the operating cycle such as the times when the tool is switched off and when it is running idle in addition to the trigger time).

Vibration

The vibration total value (tri-axial vector sum) determined according to EN62841-3-10:

Model LW1400

Vibration emission (a_h) : 2.5 m/s² or less
 Uncertainty (K) : 1.5 m/s²

Model LW1401

Vibration emission (a_h) : 2.5 m/s² or less
 Uncertainty (K) : 1.5 m/s²

NOTE: The declared vibration total value(s) has been measured in accordance with a standard test method and may be used for comparing one tool with another.

NOTE: The declared vibration total value(s) may also be used in a preliminary assessment of exposure.

⚠WARNING: The vibration emission during actual use of the power tool can differ from the declared value(s) depending on the ways in which the tool is used especially what kind of workpiece is processed.

⚠WARNING: Be sure to identify safety measures to protect the operator that are based on an estimation of exposure in the actual conditions of use (taking account of all parts of the operating cycle such as the times when the tool is switched off and when it is running idle in addition to the trigger time).

Declarations of Conformity

For European countries only

The Declarations of conformity are included in Annex A to this instruction manual.

General power tool safety warnings

⚠WARNING Read all safety warnings, instructions, illustrations and specifications provided with this power tool. Failure to follow all instructions listed below may result in electric shock, fire and/or serious injury.

Save all warnings and instructions for future reference.

The term "power tool" in the warnings refers to your mains-operated (corded) power tool or battery-operated (cordless) power tool.

Cut-off machine safety warnings

1. **Position yourself and bystanders away from the plane of the rotating wheel.** The guard helps to protect the operator from broken wheel fragments and accidental contact with wheel.
2. **Use only bonded reinforced cut-off wheels for your power tool.** Just because an accessory can be attached to your power tool, it does not assure safe operation.
3. **The rated speed of the accessory must be at least equal to the maximum speed marked on the power tool.** Accessories running faster than their rated speed can break and fly apart.
4. **Wheels must be used only for recommended applications. For example: do not grind with the side of a cut-off wheel.** Abrasive cut-off wheels are intended for peripheral grinding, side forces applied to these wheels may cause them to shatter.
5. **Always use undamaged wheel flanges that are of correct diameter for your selected wheel.** Proper wheel flanges support the wheel thus reducing the possibility of wheel breakage.
6. **The outside diameter and the thickness of your**

accessory must be within the capacity rating of your power tool. Incorrectly sized accessories cannot be adequately guarded or controlled.

7. **The arbour size of wheels and flanges must properly fit the spindle of the power tool.** Wheels and flanges with arbour holes that do not match the mounting hardware of the power tool will run out of balance, vibrate excessively and may cause loss of control.
8. **Do not use damaged wheels. Before each use, inspect the wheels for chips and cracks. If the power tool or wheel is dropped, inspect for damage or install an undamaged wheel. After inspecting and installing the wheel, position yourself and bystanders away from the plane of the rotating wheel and run the power tool at maximum no load speed for one minute.** Damaged wheels will normally break apart during this test time.
9. **Wear personal protective equipment. Depending on application, use face shield, safety goggles or safety glasses. As appropriate, wear dust mask, hearing protectors, gloves and shop apron capable of stopping small abrasive or workpiece fragments.** The eye protection must be capable of stopping flying debris generated by various operations. The dust mask or respirator must be capable of filtering particles generated by your operation. Prolonged exposure to high intensity noise may cause hearing loss.
10. **Keep bystanders a safe distance away from work area. Anyone entering the work area must wear personal protective equipment.** Fragments of workpiece or of a broken wheel may fly away and cause injury beyond immediate area of operation.
11. **Position the cord clear of the spinning accessory.** If you lose control, the cord may be cut or snagged and your hand or arm may be pulled into the spinning wheel.
12. **Regularly clean the power tool's air vents.** The motor's fan can draw the dust inside the housing and excessive accumulation of powdered metal may cause electrical hazards.
13. **Do not operate the power tool near flammable materials. Do not operate the power tool while placed on a combustible surface such as wood.** Sparks could ignite these materials.
14. **Do not use accessories that require liquid coolants.** Using water or other liquid coolants may result in electrocution or shock.

Kickback and related warnings

Kickback is a sudden reaction to a pinched or snagged rotating wheel. Pinching or snagging causes rapid stalling of the rotating wheel which in turn causes the uncontrolled cutting unit to be forced upwards toward the operator.

For example, if an abrasive wheel is snagged or pinched by the workpiece, the edge of the wheel that is entering into the pinch point can dig into the surface of the material causing the wheel to climb out or kick out. Abrasive wheels may also break under these conditions.

Kickback is the result of power tool misuse and/or incorrect operating procedures or conditions and can be

avoided by taking proper precautions as given below.

1. **Maintain a firm grip on the power tool and position your body and arm to allow you to resist kickback forces.** The operator can control upward kickback forces, if proper precautions are taken.
2. **Do not position your body in line with the rotating wheel.** If kickback occurs, it will propel the cutting unit upwards toward the operator.
3. **Do not attach a saw chain, woodcarving blade, segmented diamond wheel with a peripheral gap greater than 10 mm or toothed saw blade.** Such blades create frequent kickback and loss of control.
4. **Do not "jam" the wheel or apply excessive pressure. Do not attempt to make an excessive depth of cut.** Overstressing the wheel increases the loading and susceptibility to twisting or binding of the wheel in the cut and the possibility of kickback or wheel breakage.
5. **When the wheel is binding or when interrupting a cut for any reason, switch off the power tool and hold the cutting unit motionless until the wheel comes to a complete stop. Never attempt to remove the wheel from the cut while the wheel is in motion otherwise kickback may occur.** Investigate and take corrective action to eliminate the cause of wheel binding.
6. **Do not restart the cutting operation in the workpiece. Let the wheel reach full speed and carefully re-enter the cut.** The wheel may bind, walk up or kickback if the power tool is restarted in the workpiece.
7. **Support any oversized workpiece to minimize the risk of wheel pinching and kickback.** Large workpieces tend to sag under their own weight. Supports must be placed under the workpiece near the line of cut and near the edge of the workpiece on both sides of the wheel.

Additional safety warnings

1. **Watch out for flying sparks when operating.** They can cause injury or ignite combustible materials.
2. **Secure work. Use clamps or a vise to hold work when practical.** It's safer than using your hand and it frees both hands to operate tool.
3. **Secure the cut-off wheel carefully.**
4. **Be careful not to damage the spindle, flanges (especially the installing surface) or bolt, or the cut-off wheel itself might break.**
5. **Keep guards in place and in working order.**
6. **Hold the handle firmly.**
7. **Keep hands away from rotating parts.**
8. **Make sure the cut-off wheel is not contacting the work-piece before the switch is turned on.**
9. **Before each use, watch for flutter or excessive vibration that might be caused by poor installation or a poorly balanced wheel.**
10. **Remove material or debris from the area that might be ignited by sparks. Be sure that others are not in the path of the sparks. Keep a proper, charged fire extinguisher closely available.**
11. **If the cut-off wheel stops during the operation,**

makes an odd noise or begins to vibrate, switch off the tool immediately.

12. **Always switch off and wait for the cut-off wheel to come to a complete stop before removing, securing workpiece, working vise, changing work position, angle or the cut-off wheel itself.**
13. **Do not touch the workpiece immediately after operation; it is extremely hot and could burn your skin.**
14. **Store wheels in a dry location only.**

SAVE THESE INSTRUCTIONS.

INSTALLATION

⚠WARNING: This tool produces spark when cutting a workpiece. Do not install this tool in the place in which flammable and/or explosive materials might be ignited by the spark from the tool. Also make sure that there is no such material near the tool before starting the operation.

Securing the base

This tool should be bolted with two bolts to a level and stable surface using the bolt holes provided in the tool's base. This will help prevent tipping over and possible personal injury.

► Fig.1: 1. Bolt holes 2. Base

FUNCTIONAL DESCRIPTION

⚠CAUTION: Always be sure that the tool is switched off and unplugged before adjusting or checking function on the tool.

Unlocking/locking tool head

The tool head can be locked. Always lock the tool head when not in use or carrying.

For LW1400

To unlock, depress the tool head slightly and push the lock pin. To lock, return the lock pin while holding down the tool head.

► Fig.2: 1. Lock pin

For LW1401

Unhook the lock chain from the hook. Always hook the lock chain to the hook when not in use.

► Fig.3: 1. Hook 2. Lock chain

Switch action

⚠WARNING: Before plugging in the tool, always check to see that the switch trigger actuates properly and returns to the "OFF" position when released.

- **Fig.4:** 1. Lock button / Lock-off button 2. Switch trigger

For tool with lock button

To start the tool, simply pull the switch trigger. Release the switch trigger to stop. For continuous operation, pull the switch trigger, push in the lock button and then release the switch trigger. To stop the tool from the locked position, pull the trigger fully, then release it.

CAUTION: Switch can be locked in "ON" position for ease of operator comfort during extended use. Apply caution when locking tool in "ON" position and maintain firm grasp on tool.

For tool with lock-off button

To prevent the switch trigger from being accidentally pulled, a lock-off button is provided. To start the tool, press the lock-off button and pull the switch trigger. Release the switch trigger to stop.

WARNING: NEVER defeat the lock-off button by taping down or some other means. A switch with a negated lock-off button may result in unintentional operation and serious personal injury.

WARNING: NEVER use the tool if it runs when you simply pull the switch trigger without pressing the lock-off button. A switch in need of repair may result in unintentional operation and serious personal injury. Return tool to a Makita service center for proper repairs BEFORE further usage.

NOTICE: Do not pull the switch trigger hard without pressing in the lock-off button. This can cause switch breakage.

Interval between vise and guide plate

CAUTION: After adjusting the interval between the vise and the guide plate, make sure that the guide plate is properly secured. Insufficient fixing may result in personal injury.

The following interval settings of the vise are available:

- 0 - 170 mm (original setting)
- 35 - 205 mm
- 70 - 240 mm

If your work requires different setting, proceed as follows to change the spacing or interval.

For LW1400

Loosen the screw on the guide plate. Move the guide plate to the desired position then tighten the screw.

- **Fig.5:** 1. Screw 2. Guide plate

For LW1401

Remove the two hex bolts using a socket wrench. Move the guide plate to the desired position and secure it with the hex bolts.

- **Fig.6:** 1. Guide plate 2. Hex bolts

Cutting angle adjustment

CAUTION: After adjusting the angle of the guide plate, make sure that the guide plate is properly secured. Insufficient fixing may result in personal injury.

CAUTION: Do not operate the tool when the material is not firmly secured with the vise because of the cutting angle.

For LW1400

Turn the lever counterclockwise. Move the guide plate to the desired angle and fully tighten the lever.

- **Fig.7:** 1. Guide plate 2. Lever

For LW1401

NOTICE: When performing right miter cut, always set the guide plate at 0 - 170 mm position. Setting at the 35 - 205 mm or 70 - 240 mm position hinders the movement of stopper plate, which results in a failure cut.

Loosen the two hex bolts using a socket wrench. Turn the guide plate to the desired angle and secure it with the hex bolts. Be careful not to move the set angle while securing the hex bolts.

- **Fig.8:** 1. Guide plate 2. Hex bolts

NOTE: The scale on the guide plate is only a rough indication. For more accurate angle, use a protractor or triangle ruler. Keep the handle down so that the cut-off wheel extends into the base. At the same time, adjust the angle between the guide plate and the cut-off wheel with a protractor or triangle ruler.

Spark guard adjustment

For LW1401 only (country specific)

- **Fig.9:** 1. Screw 2. Spark guard

The spark guard is factory-installed with its lower edge contacting the base. Operating the tool in this position will cause many sparks to fly around. Loosen the screw and adjust the spark guard to a position at which minimum sparks will fly around.

Stopper plate

For LW1401 only (country specific)

- **Fig.10:** 1. Stopper plate

The stopper plate prevents the cut-off wheel from contacting the workbench or floor. When a new cut-off wheel is installed, set the stopper plate to position (A). When the cut-off wheel wears down to the extent that the lower portion of the workpiece is left uncut, set the stopper plate to position (B) to allow increased cutting capacity with a worn down wheel.

ASSEMBLY

CAUTION: Always be sure that the tool is switched off and unplugged before carrying out any work on the tool.

Opening center cap type safety guard

Country specific

For the tools equipped with center cap type safety guard, loosen the clamping screw first then raise the guard.

► Fig.11: 1. Clamping screw

Opening European type safety guard

Country specific

For the tools equipped with European type safety guard, loosen the clamping screw first then open the guard as shown.

► Fig.12: 1. Clamping screw

► Fig.13

► Fig.14

Removing or installing cut-off wheel

CAUTION: Be sure to tighten the toolless clamp or hex bolt securely. Insufficient tightening may result in severe injury. When tightening the hex bolt, use the socket wrench provided with the tool to assure proper tightening.

CAUTION: Always use only the proper inner and outer flanges which are provided with the tool.

CAUTION: Always lower the safety guard after replacing the wheel.

CAUTION: Wear gloves when handling wheels.

► Fig.15: 1. Inner flange 2. Ring 3. O-ring 4. Cut-off wheel 5. Outer flange 6. Toolless clamp / Hex bolt

For LW1400

Raise the safety guard. Turn the toolless clamp counterclockwise while holding down the shaft lock. Then remove the toolless clamp, outer flange and cut-off wheel. When removing the cut-off wheel, do not remove the inner flange as well as the ring and O-ring.

► Fig.16: 1. Shaft lock 2. Toolless clamp

To install the cut-off wheel, follow the removal procedures in reverse. Make sure to fit the hole of cut-off wheel to the ring and return the safety guard.

For LW1401

Raise the safety guard. Turn the hex bolt counterclockwise using a socket wrench while holding down the shaft lock. Then remove the hex bolt, outer flange and wheel.

► Fig.17: 1. Shaft lock 2. Hex bolt

To install the wheel, follow the removal procedures in reverse. Make sure to fit the hole of cut-off wheel to the ring and return the safety guard.

OPERATION


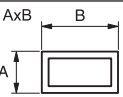
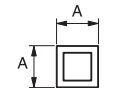
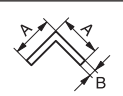
CAUTION: Proper handle pressure during cutting and maximum cutting efficiency can be determined by the amount of sparks that is produced while cutting. Do not force the cut by applying excessive pressure on the handle. Reduced cutting efficiency, premature wheel wear, as well as, possible damage to the tool, cut-off wheel or workpiece may result.

Hold the handle firmly. Switch on the tool and wait until the cut-off wheel attains full speed before lowering gently into the cut. When the cut-off wheel contacts the workpiece, gradually bear down on the handle to perform the cut. When the cut is completed, switch off the tool and wait until the cut-off wheel has come to a complete stop before returning the handle to the fully elevated position.

Cutting capacity

Maximum cutting capacity varies depending on the cutting angle and workpiece shape.

Max. cutting capacity with a brand-new cut-off wheel

Cutting angle / Workpiece shape	90°	45°
	127 mm	127 mm
	115 x 130 mm 102 x 194 mm 70 x 233 mm	115 x 103 mm
	119 x 119 mm	106 x 106 mm
	137 x 137 x 10 mm	100 x 100 x 10 mm

Securing workpiece

CAUTION: Always place the thread holder on the shaft threads when securing the workpiece. Failure to do so may result in insufficient securing of the workpiece. This could cause the workpiece to be ejected or cause a dangerous breakage of the cut-off wheel.

While the thread holder is lifted, the vise plate can be moved in and out quickly. To grip a workpiece, push the handle until the vise plate contacts the workpiece then return the thread holder. Turn the handle clockwise until the workpiece is securely retained.

► **Fig.18:** 1. Handle 2. Thread holder 3. Vise plate

When the cut-off wheel has worn down considerably, place a spacer block behind the workpiece as shown in the figure. You can more efficiently utilize the worn wheel by using the mid point on the periphery of the wheel to cut the workpiece. Use a sturdy and non-flammable material for a spacer block.

► **Fig.19:** 1. Spacer block

When cutting workpieces over 85 mm wide at an angle, attach a straight piece of wood (spacer) over 190 mm long x 45 mm wide to the guide plate as shown in the figure. Attach this spacer with screws through the holes in the guide plate. Make sure that the cut-off wheel does not contact the spacer when the tool head is depressed.

► **Fig.20:** 1. Guide plate 2. Spacer block (over 190 mm long x45 mm wide) 3. Workpiece (over 85 mm wide) 4. Vise plate

► **Fig.21**

When the cut-off wheel has worn down, raise the cutting position by putting a spacer block which is slightly narrower than the workpiece as shown in the figure. This will help you to utilize the cut-off wheel economically.

► **Fig.22:** 1. Vise plate 2. Workpiece diameter 3. Guide plate 4. Spacer block width

Long workpieces must be supported by blocks on either side so that it will be level with the base top. Use non-flammable material for supporting blocks.

► **Fig.23:** 1. Supporting block

Carrying tool

Fold down the tool head and lock it. Hold the handle when carrying.

► **Fig.24**

MAINTENANCE

CAUTION: Always be sure that the tool is switched off and unplugged before attempting to perform inspection or maintenance.

NOTICE: Never use gasoline, benzine, thinner, alcohol or the like. Discoloration, deformation or cracks may result.

Replacing carbon brushes

► **Fig.25:** 1. Limit mark

Check the carbon brushes regularly. Replace them when they wear down to the limit mark. Keep the carbon brushes clean and free to slip in the holders. Both carbon brushes should be replaced at the same time. Use only identical carbon brushes.

1. Use a screwdriver to remove the brush holder caps.

2. Take out the worn carbon brushes, insert the new ones and secure the brush holder caps.

► **Fig.26:** 1. Brush holder cap

OPTIONAL ACCESSORIES

CAUTION: These accessories or attachments are recommended for use with your Makita tool specified in this manual. The use of any other accessories or attachments might present a risk of injury to persons. Only use accessory or attachment for its stated purpose.

If you need any assistance for more details regarding these accessories, ask your local Makita Service Center.

- Abrasive cut-off wheels
- Socket wrench (for LW1401 only)

NOTE: Some items in the list may be included in the tool package as standard accessories. They may differ from country to country.

SPÉCIFICATIONS

Modèle :		LW1400	LW1401
Diamètre de meule		355 mm	
Épaisseur max. de la meule		3 mm	
Diamètre d'orifice		25,4 mm	
Vitesse à vide		3 800 min ⁻¹	
Dimensions (L x l x H)	Avec carter de sécurité de type européen	530 mm x 295 mm x 640 mm	500 mm x 295 mm x 640 mm
	Avec carter de sécurité de type non européen	530 mm x 295 mm x 640 mm	500 mm x 290 mm x 620 mm
Poids net	Avec carter de sécurité de type européen et couvercle inférieur	18,7 kg	18,3 kg
Catégorie de sécurité		II	

- Étant donné l'évolution constante de notre programme de recherche et de développement, les spécifications contenues dans ce manuel sont sujettes à modification sans préavis.
- Les spécifications peuvent varier suivant les pays.
- Poids selon la procédure EPTA 01/2014
- La forme et le poids varient avec les spécifications qui diffèrent d'un pays à l'autre.

Utilisations

L'outil est conçu pour couper les matériaux ferreux au moyen d'une meule à tronçonner abrasive appropriée. Veuillez respecter toutes les lois et réglementations en vigueur dans votre pays concernant les poussières et la zone de travail, en termes de santé et de sécurité.

Alimentation

L'outil ne devra être raccordé qu'à une alimentation de la même tension que celle qui figure sur la plaque signalétique, et il ne pourra fonctionner que sur un courant secteur monophasé. Réalisé avec une double isolation, il peut de ce fait être alimenté par une prise sans mise à la terre.

Pour les systèmes de distribution publics à basse tension, entre 220 V et 250 V

La mise sous tension et hors tension des appareils électriques entraîne des fluctuations de tension. L'utilisation de cet appareil dans des conditions d'alimentation électrique inadéquates peut avoir des effets néfastes sur le fonctionnement des autres équipements. Il ne devrait toutefois pas y avoir d'effets négatifs si l'impédance de l'alimentation est égale ou inférieure à 0,18 ohm. La prise de courant utilisée pour cet appareil doit être protégée par un fusible ou un disjoncteur de protection à déclenchement lent.

Bruit

Niveau de bruit pondéré A typique, déterminé selon EN62841-3-10 :

Modèle LW1400

Niveau de pression sonore (L_{pA}) : 102 dB (A)

Niveau de puissance sonore (L_{WA}) : 110 dB (A)
Incertitude (K) : 3 dB (A)

Modèle LW1401

Niveau de pression sonore (L_{pA}) : 102 dB (A)
Niveau de puissance sonore (L_{WA}) : 110 dB (A)
Incertitude (K) : 3 dB (A)

NOTE : La ou les valeurs d'émission de bruit déclarées ont été mesurées conformément à la méthode de test standard et peuvent être utilisées pour comparer les outils entre eux.

NOTE : La ou les valeurs d'émission de bruit déclarées peuvent aussi être utilisées pour l'évaluation préliminaire de l'exposition.

⚠ AVERTISSEMENT : Portez un serre-tête antibruit.

⚠ AVERTISSEMENT : L'émission de bruit lors de l'usage réel de l'outil électrique peut être différente de la ou des valeurs déclarées, suivant la façon dont l'outil est utilisé, particulièrement selon le type de pièce usinée.

⚠ AVERTISSEMENT : Les mesures de sécurité à prendre pour protéger l'utilisateur doivent être basées sur une estimation de l'exposition dans des conditions réelles d'utilisation (en tenant compte de toutes les composantes du cycle d'utilisation, comme par exemple le moment de sa mise hors tension, lorsqu'il tourne à vide et le moment de son déclenchement).

Vibrations

Valeur totale de vibrations (somme de vecteur triaxial) déterminée selon EN62841-3-10 :

Modèle LW1400

Émission de vibrations (a_h) : 2,5 m/s² ou moins

Incertitude (K) : 1,5 m/s²

Modèle LW1401

Émission de vibrations (a_v) : 2,5 m/s² ou moins

Incertitude (K) : 1,5 m/s²

NOTE : La ou les valeurs de vibration totales déclarées ont été mesurées conformément à la méthode de test standard et peuvent être utilisées pour comparer les outils entre eux.

NOTE : La ou les valeurs de vibration totales déclarées peuvent aussi être utilisées pour l'évaluation préliminaire de l'exposition.

⚠ AVERTISSEMENT : L'émission de vibrations lors de l'usage réel de l'outil électrique peut être différente de la ou des valeurs déclarées, suivant la façon dont l'outil est utilisé, particulièrement selon le type de pièce usinée.

⚠ AVERTISSEMENT : Les mesures de sécurité à prendre pour protéger l'utilisateur doivent être basées sur une estimation de l'exposition dans des conditions réelles d'utilisation (en tenant compte de toutes les composantes du cycle d'utilisation, comme par exemple le moment de sa mise hors tension, lorsqu'il tourne à vide et le moment de son déclenchement).

Déclarations de conformité

Pour les pays européens uniquement

Les déclarations de conformité sont fournies en Annexe A à ce mode d'emploi.

Consignes de sécurité générales pour outils électriques

⚠ AVERTISSEMENT Veuillez lire toutes les consignes de sécurité, instructions, illustrations et spécifications qui accompagnent cet outil électrique. Le non-respect de toutes les instructions indiquées ci-dessous peut entraîner une électrocution, un incendie et/ou de graves blessures.

Conservez toutes les mises en garde et instructions pour référence ultérieure.

Le terme « outil électrique » dans les avertissements fait référence à l'outil électrique alimenté par le secteur (avec cordon d'alimentation) ou à l'outil électrique fonctionnant sur batterie (sans cordon d'alimentation).

Consignes de sécurité pour machine à tronçonner

1. **Écartez-vous (et éloignez les curieux) de l'axe de la meule en rotation.** Le carter de protection permet de protéger l'utilisateur des éclats de meule brisée et d'un contact accidentel avec la meule.
2. **Utilisez uniquement des meules à tronçonner renforcées à agglomérant avec votre outil électrique.** Ce n'est pas parce qu'un accessoire se fixe correctement sur votre outil électrique que son utilisation en toute sécurité est garantie.
3. **La vitesse nominale de l'accessoire doit être au moins égale à la vitesse maximum inscrite sur l'outil électrique.** Les accessoires tournant plus vite que leur vitesse nominale peuvent se casser et voler en éclats.
4. **Les meules ne doivent être utilisées que pour les applications recommandées. Par exemple : ne procédez pas au meulage avec le côté de la meule à tronçonner.** Les meules à tronçonner abrasives étant conçues pour le meulage périphérique, elles risquent de voler en éclats si on leur applique une force latérale.
5. **Utilisez toujours des flasques pour meule en bon état, au diamètre convenant à la meule sélectionnée.** Des flasques pour meule adéquats soutiennent la meule et réduisent ainsi les risques de rupture de la meule.
6. **Le diamètre extérieur et l'épaisseur de l'accessoire ne doivent pas dépasser la capacité nominale de l'outil électrique.** Les accessoires de taille incorrecte ne peuvent être protégés ou contrôlés adéquatement.
7. **L'orifice central des meules et des flasques doit s'insérer parfaitement sur la broche de l'outil électrique.** Des meules et des flasques dont l'orifice central ne correspond pas au matériel de fixation de l'outil électrique se déséquilibreront, vibreront excessivement et risqueront d'entraîner une perte de maîtrise de l'outil.
8. **N'utilisez pas de meules endommagées. Avant chaque utilisation, vérifiez que les meules ne sont pas fissurées ou écaillées. Si vous faites tomber l'outil électrique ou la meule, vérifiez qu'ils ne sont pas abîmés ou bien remplacez la meule endommagée. Après avoir vérifié et posé la meule, écartez-vous (et éloignez les curieux) de l'axe de la meule en rotation et faites tourner l'outil électrique en régime à vide maximum pendant une minute.** Les meules endommagées se brisent généralement au cours de cette période d'essai.
9. **Portez un équipement de protection individuelle. Suivant le type de travail à effectuer, utilisez un écran facial, des lunettes à coques ou des lunettes de sécurité. Au besoin, portez également un masque anti-poussière, des protections auditives, des gants de travail et un tablier de travail pouvant résister aux petits éclats abrasifs et aux fragments de pièce.** La protection oculaire doit pouvoir arrêter les débris volants produits par les diverses opérations. Le masque anti-poussière ou le masque filtrant doit pouvoir filtrer les particules générées pendant l'exécution du travail. Une exposition prolongée à un bruit d'intensité élevée peut entraîner une perte auditive.
10. **Ne laissez pas les curieux trop approcher de la zone de travail. Toute personne pénétrant dans la zone de travail doit porter un équipement de protection individuelle.** Des fragments provenant de la pièce de travail ou d'une meule cassée peuvent voler en éclats et blesser les personnes se trouvant au-delà de la zone de travail immédiate.
11. **Placez le cordon à l'écart de l'accessoire en rotation.** Si vous perdez le contrôle, le cordon

risque d'être coupé ou tiré, et votre main ou votre bras peuvent être happés par la meule en rotation.

12. **Nettoyez régulièrement les orifices de ventilation de l'outil électrique.** Le ventilateur du moteur peut aspirer les poussières à l'intérieur du carter, ce qui présente un danger électrique en cas d'accumulation excessive de poussières métalliques.
13. **N'utilisez pas l'outil électrique près de matériaux inflammables. N'utilisez pas l'outil électrique s'il est posé sur une surface combustible comme du bois.** Les étincelles risqueraient d'enflammer ces matériaux.
14. **N'utilisez pas d'accessoires nécessitant un liquide de refroidissement.** L'utilisation d'eau ou de tout autre liquide de refroidissement peut entraîner l'électrocution ou un choc électrique.

Chocs en retour et mises en garde concernant ces derniers

Le choc en retour est une réaction soudaine qui survient lorsque la meule en rotation se coince ou accroche. Lorsque la meule en rotation se coince ou accroche, elle s'arrête soudainement et l'utilisateur perd alors la maîtrise de l'unité de coupe qui est projetée en hauteur vers lui.

Par exemple, si une meule abrasive accroche ou se coince dans la pièce, son tranchant introduit au point de pincement risque d'y creuser la surface du matériau, entraînant la sortie ou le déchaussement de la meule. Les meules abrasives risquent également de se briser dans de telles situations.

Le choc en retour est le résultat d'une utilisation incorrecte de l'outil électrique et/ou de l'inobservation des procédures ou conditions d'utilisation. Il peut être évité en prenant les précautions adéquates indiquées ci-dessous.

1. **Maintenez une poigne ferme sur l'outil électrique et placez corps et bras de façon à pouvoir résister à la force exercée par les chocs en retour.** L'utilisateur peut maîtriser la force ascendante exercée par le choc en retour s'il prend les précautions nécessaires.
2. **Ne vous placez pas dans l'axe de la meule en rotation.** En cas de choc en retour, l'unité de coupe sera projetée en hauteur vers l'utilisateur.
3. **Ne fixez pas une chaîne de tronçonneuse, une lame à sculpter le bois, une meule diamantée à segments avec un espace périphérique supérieur à 10 mm ou une lame de scie dentée.** Ces lames causent fréquemment des chocs en retour et la perte de maîtrise de l'outil.
4. **Évitez de coincer la meule ou d'appliquer une pression excessive. N'essayez pas de couper trop profondément.** Une meule trop sollicitée subira une surcharge et risquera de se tordre ou de se coincer dans la ligne de coupe, ce qui comporte un risque de choc en retour ou de bris de la meule.
5. **Lorsque la meule se coince ou lorsque vous interrompez la coupe pour une raison quelconque, mettez l'outil électrique hors tension et gardez l'unité de coupe immobile jusqu'à ce que la meule cesse complètement de tourner. N'essayez jamais de retirer la meule de la coupe pendant que la meule tourne, sous peine de provoquer un choc en retour.**

Identifiez la cause du grippage de la meule et prenez les mesures correctives pour y remédier.

6. **Ne reprenez pas la coupe en laissant la meule telle quelle dans la pièce. Laissez la meule atteindre sa pleine vitesse, puis réintroduisez-la doucement dans la ligne de coupe.** Si vous redémarrez l'outil électrique alors qu'il se trouve encore dans la pièce, la meule risquera de se coincer, de remonter hors de la ligne de coupe ou de provoquer un choc en retour.
7. **Soutenez les pièces de grande taille pour réduire les risques de pincement de la meule et de choc en retour.** Les pièces de grande taille ont tendance à ployer sous leur propre poids. Il est nécessaire de placer des cales en dessous de la pièce à proximité de la ligne de coupe et près du rebord de la pièce de chaque côté de la meule.

Consignes de sécurité supplémentaires

1. **Prenez garde aux étincelles qui jaillissent au cours de l'utilisation.** Elles peuvent provoquer des blessures ou enflammer les matières combustibles.
2. **Fixez la pièce. Utilisez des dispositifs de serrage ou un étau pour soutenir la pièce lorsque cela est possible.** C'est plus sûr qu'utiliser vos mains et vous permettra d'avoir les mains libres pour actionner l'outil.
3. **Fixez soigneusement la meule à tronçonner.**
4. **Prenez garde de ne pas endommager l'axe, les flasques (tout particulièrement la surface d'installation) ou le boulon sous peine de casser la meule à tronçonner.**
5. **Laissez les carters de protection en place et en état de fonctionnement.**
6. **Tenez la poignée fermement.**
7. **N'approchez pas les mains des pièces en mouvement.**
8. **Assurez-vous que la meule à tronçonner n'entre pas en contact avec la pièce avant de mettre l'outil sous tension.**
9. **Avant chaque utilisation, soyez attentif à tout sautellement ou toute vibration excessive pouvant indiquer que la meule n'est pas bien posée ou qu'elle est mal équilibrée.**
10. **Retirez de la zone tous les matériaux ou débris qui pourraient s'enflammer au contact des étincelles. Veillez à ce que personne ne se trouve dans la trajectoire des étincelles. Gardez un extincteur en parfait état de fonctionnement à portée de main.**
11. **Si la meule à tronçonner s'arrête en cours d'utilisation, émet un bruit étrange ou se met à vibrer, éteignez immédiatement l'outil.**
12. **Éteignez toujours l'outil et attendez que la meule à tronçonner s'arrête complètement avant de retirer et fixer la pièce, manipuler l'étau, changer de position ou d'angle de travail ou remplacer la meule à tronçonner.**
13. **Ne touchez pas la pièce immédiatement après utilisation, car elle sera extrêmement chaude et pourrait vous brûler.**
14. **Rangez les meules dans un endroit sec uniquement.**

CONSERVEZ CES INSTRUCTIONS.

INSTALLATION

⚠ AVERTISSEMENT : Cet outil produit des étincelles lors de la découpe d'une pièce. N'installez pas cet outil dans un endroit où des matériaux inflammables et/ou explosifs peuvent s'enflammer au contact des étincelles produites par l'outil. Assurez-vous également qu'aucun de ces matériaux ne se trouve à proximité de l'outil avant de commencer à l'utiliser.

Fixation de la base

Cet outil doit être fixé avec deux boulons sur une surface plane et stable en utilisant les orifices pour boulon prévus dans la base de l'outil. Cela contribuera à prévenir les risques de basculement de l'outil et de blessure.

► Fig.1: 1. Orifices pour boulon 2. Base

DESCRIPTION DU FONCTIONNEMENT

⚠ ATTENTION : Assurez-vous toujours que l'outil est hors tension et débranché avant de l'ajuster ou de vérifier son fonctionnement.

Déverrouillage/verrouillage de la tête de l'outil

La tête de l'outil peut être verrouillée. Verrouillez toujours la tête de l'outil quand vous n'utilisez pas l'outil ou quand vous le transportez.

Pour le LW1400

Pour la déverrouiller, enfoncez légèrement la tête de l'outil et poussez sur la goupille de sécurité. Pour la verrouiller, ramenez la goupille de sécurité tout en maintenant enfoncée la tête de l'outil.

► Fig.2: 1. Goupille de sécurité

Pour le LW1401

Décrochez la chaîne de blocage du crochet. Accrochez toujours la chaîne de blocage au crochet lorsque vous n'utilisez pas l'outil.

► Fig.3: 1. Crochet 2. Chaîne de blocage

Fonctionnement de la gâchette

⚠ AVERTISSEMENT : Avant de brancher l'outil, assurez-vous toujours que la gâchette fonctionne correctement et revient en position d'arrêt une fois relâchée.

► Fig.4: 1. Bouton de verrouillage/Bouton de sécurité 2. Gâchette

Pour les outils pourvus d'un bouton de verrouillage

Il suffit d'enclencher la gâchette pour démarrer l'outil. Pour arrêter l'outil, relâchez la gâchette. Pour un fonctionnement continu, enclenchez la gâchette et poussez le bouton de verrouillage, puis relâchez la gâchette. Pour arrêter l'outil en position verrouillée, enclenchez à fond la gâchette puis relâchez-la.

⚠ ATTENTION : Vous pouvez verrouiller l'interrupteur sur la position « Marche » pour plus de confort en cas d'utilisation prolongée. Soyez prudent lorsque vous verrouillez l'outil sur la position « Marche », et gardez une prise ferme sur l'outil.

Pour les outils pourvus d'un bouton de sécurité

Un bouton de sécurité a été prévu pour éviter l'activation accidentelle de la gâchette. Pour démarrer l'outil, enfoncez le bouton de sécurité puis enclenchez la gâchette. Pour arrêter l'outil, relâchez la gâchette.

⚠ AVERTISSEMENT : NE bloquez JAMAIS le bouton de sécurité avec du ruban ou de toute autre manière. Une gâchette dont le bouton de sécurité est bloqué comporte un risque d'activation accidentelle pouvant entraîner de graves blessures.

⚠ AVERTISSEMENT : N'utilisez JAMAIS l'outil s'il se met en marche lorsque vous enclenchez simplement la gâchette sans avoir enfoncé le bouton de sécurité. Une gâchette devant être réparée comporte un risque d'activation accidentelle pouvant entraîner de graves blessures. Confiez l'outil à un centre d'entretien Makita pour le faire réparer AVANT de poursuivre l'utilisation.

REMARQUE : Évitez d'appuyer sur la gâchette avec force lorsque le bouton de sécurité n'est pas enfoncé. Vous risqueriez de briser la gâchette.

Intervalle entre l'étau et la plaque de guidage

⚠ ATTENTION : Après avoir ajusté l'intervalle entre l'étau et la plaque de guidage, assurez-vous que cette dernière est bien fixée. Une fixation insuffisante peut entraîner des blessures.

Les réglages suivants d'intervalle de l'étau sont disponibles :

- 0 - 170 mm (réglage initial)
- 35 - 205 mm
- 70 - 240 mm

Si un réglage différent est requis pour l'exécution de la tâche, procédez comme suit pour modifier l'espacement ou l'intervalle.

Pour le LW1400

Desserrez la vis sur la plaque de guidage. Amenez la plaque de guidage sur la position souhaitée, puis serrez la vis.

► Fig.5: 1. Vis 2. Plaque de guidage

Pour le LW1401

Déposez les deux boulons à six pans creux avec une clé à douille. Amenez la plaque de guidage sur la

position souhaitée et fixez-la en place avec les boulons à six pans creux.

► **Fig.6:** 1. Plaque de guidage 2. Boulons à six pans creux

Réglage de l'angle de coupe

⚠ ATTENTION : Après avoir ajusté l'angle de la plaque de guidage, assurez-vous que cette dernière est bien fixée. Une fixation insuffisante peut entraîner des blessures.

⚠ ATTENTION : N'utilisez pas l'outil alors que le matériau n'est pas solidement fixé avec l'étau en raison de l'angle de coupe.

Pour le LW1400

Tournez le levier dans le sens inverse des aiguilles d'un montre. Amenez la plaque de guidage sur l'angle souhaité, puis serrez complètement le levier.

► **Fig.7:** 1. Plaque de guidage 2. Levier

Pour le LW1401

REMARQUE : Lorsque vous effectuez une coupe d'onglet droite, réglez toujours la plaque de guidage sur la position 0 - 170 mm. Le réglage sur la position 35 - 205 mm ou 70 - 240 mm entrave le mouvement de la plaque de butée, ce qui provoque une coupe erronée.

Desserrez les deux boulons à six pans creux avec une clé à douille. Tournez la plaque de guidage sur l'angle souhaité et fixez-la en place avec les boulons à six pans creux. Prenez garde de ne pas déplacer l'angle établi pendant que vous serrez les boulons à six pans creux.

► **Fig.8:** 1. Plaque de guidage 2. Boulons à six pans creux

NOTE : L'échelle sur la plaque de guidage n'est qu'une indication approximative. Pour un angle plus précis, utilisez un rapporteur ou une équerre. Abaissez la poignée de sorte que la meule à tronçonner touche la base. Simultanément, ajustez l'angle entre la plaque de guidage et la meule à tronçonner avec un rapporteur ou une équerre.

Réglage du pare-étincelles

Pour le LW1401 uniquement (selon le pays)

► **Fig.9:** 1. Vis 2. Pare-étincelles

En usine, le pare-étincelles est installé avec le bord inférieur en contact avec la base. L'outil projettera beaucoup d'étincelles s'il est utilisé avec le pare-étincelles dans cette position. Desserrez la vis et ajustez le pare-étincelles sur la position qui réduira le plus possible la projection d'étincelles.

Plaque de butée

Pour le LW1401 uniquement (selon le pays)

► **Fig.10:** 1. Plaque de butée

La plaque de butée empêche la meule à tronçonner d'entrer en contact avec l'établi ou le sol. Lors de la mise en place d'une meule à tronçonner neuve, réglez la plaque de butée sur la position (A). Lorsque la meule

à tronçonner s'use à tel point que la portion inférieure de la pièce n'est pas coupée, réglez la plaque de butée sur la position (B) pour augmenter la capacité de coupe avec une meule usée.

ASSEMBLAGE

⚠ ATTENTION : Avant d'effectuer toute intervention sur l'outil, assurez-vous toujours qu'il est hors tension et débranché.

Ouvrir le carter de sécurité à bouchon central

Selon le pays

Pour les outils pourvus d'un carter de sécurité à bouchon central, desserrez d'abord la vis de serrage, puis soulevez le carter.

► **Fig.11:** 1. Vis de serrage

Ouvrir le carter de sécurité de type européen

Selon le pays

Pour les outils pourvus d'un carter de sécurité de type européen, desserrez d'abord la vis de serrage, puis ouvrez le carter comme illustré.

► **Fig.12:** 1. Vis de serrage

► **Fig.13**

► **Fig.14**

Dépose ou pose de la meule à tronçonner

⚠ ATTENTION : Veillez à serrer solidement l'attache sans outil ou le boulon à six pans creux. Un serrage insuffisant peut entraîner de graves blessures. Lorsque vous serrez le boulon à six pans creux, utilisez la clé à douille accompagnant l'outil pour garantir un serrage adéquat.

⚠ ATTENTION : Utilisez toujours uniquement les flasques intérieur et extérieur adéquats fournis avec l'outil.

⚠ ATTENTION : Abaissez toujours le carter de sécurité après avoir remplacé la meule.

⚠ ATTENTION : Portez des gants lorsque vous manipulez les meules.

► **Fig.15:** 1. Flasque intérieur 2. Anneau 3. Joint torique 4. Meule à tronçonner 5. Flasque extérieur 6. Attache sans outil/Boulon à six pans creux

Pour le LW1400

Soulevez le carter de sécurité. Tournez l'attache sans outil dans le sens inverse des aiguilles d'une montre tout en maintenant enfoncé le blocage de l'arbre. Déposez ensuite l'attache sans outil, le flasque extérieur et la meule à tronçonner. Lors de la dépose de la

meule à tronçonner, ne retirez pas le flasque intérieur, ni l'anneau et le joint torique.

► **Fig.16:** 1. Blocage de l'arbre 2. Attache sans outil

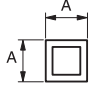
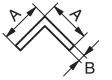
Pour installer la meule à tronçonner, suivez la procédure de dépose en sens inverse. Veillez à faire correspondre l'orifice de la meule à tronçonner avec l'anneau et remettez le carter de sécurité en place.

Pour le LW1401

Soulevez le carter de sécurité. Tournez le boulon à six pans creux dans le sens inverse des aiguilles d'une montre avec une clé à douille tout en maintenant enfoncé le blocage de l'arbre. Retirez ensuite le boulon à six pans creux, le flasque extérieur et la meule.

► **Fig.17:** 1. Blocage de l'arbre 2. Boulon à six pans creux

Pour installer la meule, suivez la procédure de dépose en sens inverse. Veillez à faire correspondre l'orifice de la meule à tronçonner avec l'anneau et remettez le carter de sécurité en place.

Angle de coupe/ Forme de la pièce	90°	45°
	119 x 119 mm	106 x 106 mm
	137 x 137 x 10 mm	100 x 100 x 10 mm

Fixation de la pièce

ATTENTION : Placez toujours le porte-filetage sur les filetages de l'arbre lorsque vous fixez la pièce en place. Autrement la pièce risquera de n'être pas fixée assez solidement. Cela peut causer l'éjection de la pièce ou un bris dangereux de la meule à tronçonner.

Pendant que le porte-filetage est soulevé, le talon de l'étau peut être déplacé d'avant en arrière rapidement. Pour serrer une pièce, poussez la poignée jusqu'à ce que le talon de l'étau entre en contact avec la pièce, puis remettez en place le porte-filetage. Tournez la poignée dans le sens des aiguilles d'une montre jusqu'à ce que la pièce soit solidement retenue.

► **Fig.18:** 1. Poignée 2. Porte-filetage 3. Talon de l'étau

Lorsque la meule à tronçonner est considérablement usée, placez un bloc espaceur derrière la pièce comme illustré sur la figure. Vous pourrez ainsi utiliser de manière plus efficace la meule usée, en coupant la pièce à l'aide de la partie de la périphérie située à l'aplomb de l'axe de la meule. Le bloc espaceur doit être fait d'un matériau robuste et non inflammable.

► **Fig.19:** 1. Bloc espaceur

Pour couper en biseau des pièces de plus de 85 mm de large, fixez une pièce de bois droite (entretoise) d'une longueur supérieure à 190 mm et d'une largeur de 45 mm sur la plaque de guidage, comme illustré sur la figure. Fixez cette entretoise à l'aide de vis insérées dans les orifices de la plaque de guidage. Assurez-vous que la meule à tronçonner n'entre pas en contact avec l'entretoise lorsque la tête de l'outil est enfoncée.

► **Fig.20:** 1. Plaque de guidage 2. Bloc espaceur (plus de 190 mm de long x 45 mm de large) 3. Pièce (plus de 85 mm de large) 4. Talon de l'étau

► **Fig.21**

Lorsque la meule à tronçonner est usée, soulevez la position de la coupe en plaçant un bloc espaceur légèrement plus étroit que la pièce comme illustré sur la figure. Cela vous permettra de réduire l'usure de la meule à tronçonner.

► **Fig.22:** 1. Talon de l'étau 2. Diamètre de la pièce 3. Plaque de guidage 4. Largeur du bloc espaceur

Les longues pièces doivent être soutenues par des blocs placés de chaque côté, de sorte que la pièce soit de niveau par rapport au-dessus de la base. Les blocs de soutien doivent être faits d'un matériau non

UTILISATION


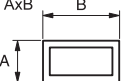
ATTENTION : Observez la quantité d'étincelles produites pendant la coupe pour savoir qu'elle est la pression optimale à exercer sur la poignée et comment obtenir l'efficacité de coupe maximale. Ne forcez pas la coupe en appliquant une pression excessive sur la poignée. Cela réduira l'efficacité de la coupe, provoquera l'usure prématurée de la meule, et peut abîmer l'outil, la meule à tronçonner ou la pièce.

Tenez la poignée fermement. Mettez l'outil sous tension et attendez que la meule à tronçonner atteigne sa pleine vitesse avant de l'abaisser délicatement dans la ligne de coupe. Lorsque la meule à tronçonner entre en contact avec la pièce, pesez graduellement sur la poignée pour effectuer la coupe. Lorsque la coupe est terminée, mettez l'outil hors tension et attendez l'arrêt complet de la meule à tronçonner avant de ramener la poignée en position complètement relevée.

Capacité de coupe

La capacité de coupe maximale dépend de l'angle de coupe et de la forme de la pièce.

Capacité de coupe max. avec une meule à tronçonner toute neuve

Angle de coupe/ Forme de la pièce	90°	45°
	127 mm	127 mm
	115 x 130 mm 102 x 194 mm 70 x 233 mm	115 x 103 mm

inflammable.

► **Fig.23:** 1. Bloc de soutien

Transport de l'outil

Repliez la tête de l'outil et verrouillez-la. Tenez la poignée lors du transport.

► **Fig.24**

ENTRETIEN

⚠ ATTENTION : Assurez-vous toujours que l'outil est hors tension et débranché avant d'y effectuer tout travail d'inspection ou d'entretien.

REMARQUE : N'utilisez jamais d'essence, benzine, diluant, alcool ou autre produit similaire. Cela risquerait de provoquer la décoloration, la déformation ou la fissuration de l'outil.

Remplacement d'un balai en carbone

► **Fig.25:** 1. Repère d'usure

Vérifiez régulièrement les balais en carbone. Remplacez-les lorsqu'ils sont usés jusqu'au repère d'usure. Maintenez les balais en carbone propres et en état de glisser aisément dans les porte-charbons. Les deux balais en carbone doivent être remplacés en même temps. N'utilisez que des balais en carbone identiques.

1. Retirez les bouchons de porte-charbon à l'aide d'un tournevis.
2. Enlevez les balais en carbone usés, insérez les neufs et revissez solidement les bouchons de porte-charbon.

► **Fig.26:** 1. Bouchon de porte-charbon

ACCESSOIRES EN OPTION

⚠ ATTENTION : Ces accessoires ou pièces complémentaires sont recommandés pour l'utilisation avec l'outil Makita spécifié dans ce mode d'emploi. L'utilisation de tout autre accessoire ou pièce complémentaire peut comporter un risque de blessure. N'utilisez les accessoires ou pièces complémentaires qu'aux fins auxquelles ils ont été conçus.

Pour obtenir plus de détails sur ces accessoires, contactez votre centre d'entretien local Makita.

- Meules à tronçonner abrasives
- Clé à douille (pour le LW1401 uniquement)

NOTE : Il se peut que certains éléments de la liste soient compris dans l'emballage de l'outil en tant qu'accessoires standard. Ils peuvent varier d'un pays à l'autre.

TECHNISCHE DATEN

Modell:		LW1400	LW1401
Scheibendurchmesser		355 mm	
Max. Scheibendicke		3 mm	
Lochdurchmesser		25,4 mm	
Leerlaufdrehzahl		3.800 min ⁻¹	
Abmessungen (L x B x H)	Mit Schutzhaube für europäische Vorschriften	530 mm x 295 mm x 640 mm	500 mm x 295 mm x 640 mm
	Mit Schutzhaube für andere Vorschriften außer den europäischen	530 mm x 295 mm x 640 mm	500 mm x 290 mm x 620 mm
Nettogewicht	Mit Schutzhaube für europäische Vorschriften und Unterabdeckung	18,7 kg	18,3 kg
Sicherheitsklasse		□/II	

- Wir behalten uns vor, Änderungen der technischen Daten im Zuge der Entwicklung und des technischen Fortschritts ohne vorherige Ankündigung vorzunehmen.
- Die technischen Daten können von Land zu Land unterschiedlich sein.
- Gewicht nach EPTA-Verfahren 01/2014
- Form und Gewicht hängen von den technischen Daten ab, die je nach Land unterschiedlich sind.

Vorgesehene Verwendung

Das Werkzeug ist zum Schneiden von Eisenmaterial mit einer geeigneten Trennschleifscheibe vorgesehen. Befolgen Sie alle Gesetze und Bestimmungen Ihres Landes bezüglich Staub, Gesundheit am Arbeitsplatz und Sicherheit.

Stromversorgung

Das Werkzeug sollte nur an eine Stromquelle angeschlossen werden, deren Spannung mit der Angabe auf dem Typenschild übereinstimmt, und kann nur mit Einphasen-Wechselstrom betrieben werden. Diese sind doppelt schutzisoliert und können daher auch an Steckdosen ohne Erdleiter verwendet werden.

Für öffentliche Niederspannungs-Verteilungssysteme mit einer Spannung zwischen 220 V und 250 V

Schaltvorgänge von Elektrogeräten verursachen Spannungsschwankungen. Der Betrieb dieses Gerätes unter ungünstigen Netzstrombedingungen kann sich nachteilig auf den Betrieb anderer Geräte auswirken. Bei einer Netzstromimpedanz von 0,18 Ohm oder weniger ist anzunehmen, dass keine negativen Effekte auftreten. Die für dieses Gerät verwendete Netzsteckdose muss durch eine Sicherung oder einen Schutzschalter mit trägen Auslösungseigenschaften geschützt sein.

Geräusch

Typischer A-bewerteter Geräuschpegel ermittelt gemäß EN62841-3-10:

Modell LW1400

Schalldruckpegel (L_{pA}): 102 dB (A)
Schallleistungspegel (L_{WA}): 110 dB (A)
Messunsicherheit (K): 3 dB (A)

Modell LW1401

Schalldruckpegel (L_{pA}): 102 dB (A)
Schallleistungspegel (L_{WA}): 110 dB (A)
Messunsicherheit (K): 3 dB (A)

HINWEIS: Der (Die) angegebene(n) Schallemissionswert(e) wurde(n) im Einklang mit der Standardprüfmethode gemessen und kann (können) für den Vergleich zwischen Werkzeugen herangezogen werden.

HINWEIS: Der (Die) angegebene(n) Schallemissionswert(e) kann (können) auch für eine Vorbewertung des Gefährdungsgrads verwendet werden.

⚠️ WARNUNG: Einen Gehörschutz tragen.

⚠️ WARNUNG: Die Schallemission während der tatsächlichen Benutzung des Elektrowerkzeugs kann je nach der Benutzungsweise des Werkzeugs, und speziell je nach der Art des bearbeiteten Werkstücks, von dem (den) angegebenen Wert(en) abweichen.

⚠️ WARNUNG: Identifizieren Sie Sicherheitsmaßnahmen zum Schutz des Benutzers anhand einer Schätzung des Gefährdungsgrads unter den tatsächlichen Benutzungsbedingungen (unter Berücksichtigung aller Phasen des Arbeitszyklus, wie z. B. Ausschalt- und Leerlaufzeiten des Werkzeugs zusätzlich zur Betriebszeit).

Schwingungen

Schwingungsgesamtwert (Drei-Achsen-Vektorsumme) ermittelt gemäß EN62841-3-10:

Modell LW1400

Schwingungsemission (a_n): 2,5 m/s² oder weniger
Messunsicherheit (K): 1,5 m/s²

Modell LW1401

Schwingungsemission (a_n): 2,5 m/s² oder weniger
Messunsicherheit (K): 1,5 m/s²

HINWEIS: Der (Die) angegebene(n) Vibrationsgesamtwert(e) wurde(n) im Einklang mit der Standardprüfmethode gemessen und kann (können) für den Vergleich zwischen Werkzeugen herangezogen werden.

HINWEIS: Der (Die) angegebene(n) Vibrationsgesamtwert(e) kann (können) auch für eine Vorbewertung des Gefährdungsgrads verwendet werden.

⚠️ WARNUNG: Die Vibrationsemission während der tatsächlichen Benutzung des Elektrowerkzeugs kann je nach der Benutzungsweise des Werkzeugs, und speziell je nach der Art des bearbeiteten Werkstücks, von dem (den) angegebenen Emissionswert(en) abweichen.

⚠️ WARNUNG: Identifizieren Sie Sicherheitsmaßnahmen zum Schutz des Benutzers anhand einer Schätzung des Gefährdungsgrads unter den tatsächlichen Benutzungsbedingungen (unter Berücksichtigung aller Phasen des Arbeitszyklus, wie z. B. Ausschalt- und Leerlaufzeiten des Werkzeugs zusätzlich zur Betriebszeit).

Konformitätserklärungen

Nur für europäische Länder

Die Konformitätserklärungen sind in Anhang A dieser Betriebsanleitung enthalten.

Allgemeine Sicherheitswarnungen für Elektrowerkzeuge

⚠️ WARNUNG Lesen Sie alle Sicherheitshinweise, Anweisungen, Abbildungen und Spezifikationen, die diesem Elektrowerkzeug beiliegen. Eine Missachtung der unten aufgeführten Anweisungen kann zu einem elektrischen Schlag, Brand und/oder schweren Verletzungen führen.

Bewahren Sie alle Warnungen und Anweisungen für spätere Bezugnahme auf.

Der Ausdruck „Elektrowerkzeug“ in den Warnhinweisen bezieht sich auf Ihr mit Netzstrom (mit Kabel) oder Akku (ohne Kabel) betriebenes Elektrowerkzeug.

Sicherheitswarnungen für Trennschleifmaschine

- Achten Sie darauf, dass Sie selbst und Umstehende nicht in der Ebene der rotierenden Trennscheibe stehen.** Die Schutzhaube schützt den Bediener vor Trennscheiben-Bruchstücken und versehentlichem Kontakt mit der Trennscheibe.
- Verwenden Sie nur kunstharzgebundene faserverstärkte Trennscheiben für Ihr Elektrowerkzeug.** Die bloße Tatsache, dass ein Zubehörteil an Ihrem Elektrowerkzeug angebracht werden kann, gewährleistet noch keinen sicheren Betrieb.
- Die Nenndrehzahl des Zubehörteils muss mindestens der am Elektrowerkzeug angegebenen Maximaldrehzahl entsprechen.** Zubehörteile, die schneller als ihre Nenndrehzahl rotieren, können bersten und auseinander fliegen.
- Scheiben dürfen nur für empfohlene Anwendungen eingesetzt werden. Zum Beispiel: Nicht mit der Seite einer Trennscheibe schleifen.** Trennschleifscheiben sind für Peripherieschleifen vorgesehen. Falls seitliche Kräfte auf diese Scheiben einwirken, können sie zerbrechen.
- Verwenden Sie stets unbeschädigte Scheibenflansche des korrekten Durchmessers für die ausgewählte Trennscheibe.** Korrekte Scheibenflansche stützen die Trennscheibe und reduzieren somit die Möglichkeit eines Scheibenbruchs.
- Außendurchmesser und Dicke des Zubehörteils müssen innerhalb der Kapazitätsgrenzen Ihres Elektrowerkzeugs liegen.** Zubehörteile der falschen Größe können nicht angemessen geschützt oder kontrolliert werden.
- Die Spindelbohrung von Trennscheiben und Flanschen muss genau der Spindel des Elektrowerkzeugs angepasst sein.** Trennscheiben und Flansche, deren Spindelbohrung nicht genau auf den Montageflansch des Elektrowerkzeugs passt, laufen unruhig, vibrieren übermäßig und können einen Verlust der Kontrolle verursachen.
- Verwenden Sie keine beschädigten Trennscheiben. Überprüfen Sie die Trennscheiben vor jeder Benutzung auf Absplitterungen und Risse. Falls das Elektrowerkzeug oder die Trennscheibe herunterfällt, überprüfen Sie das Teil auf Beschädigung, oder montieren Sie eine unbeschädigte Trennscheibe. Achten Sie nach der Überprüfung und Installation der Trennscheibe darauf, dass Sie selbst und Umstehende nicht in der Rotationsebene der Trennscheibe stehen, und lassen Sie das Elektrowerkzeug eine Minute lang mit maximaler Leerlaufdrehzahl laufen.** Beschädigte Trennscheiben brechen normalerweise während dieses Probelaufs auseinander.
- Tragen Sie persönliche Schutzausrüstung. Benutzen Sie je nach der Arbeit einen**

Gesichtsschutz bzw. eine Sicherheits- oder Schutzbrille. Tragen Sie bei Bedarf eine Staubmaske, Ohrenschützer, Handschuhe und eine Arbeitsschürze, die in der Lage ist, kleine Schleifpartikel oder Werkstücksplitter abzuwehren. Der Augenschutz muss in der Lage sein, den bei verschiedenen Arbeiten anfallenden Flugstaub abzuwehren. Die Staubmaske oder Atemschutzmaske muss in der Lage sein, durch die Arbeit erzeugte Partikel herauszufiltern. Lang anhaltende Lärmbelastung kann zu Gehörschäden führen.

10. **Halten Sie Umstehende in sicherem Abstand vom Arbeitsbereich. Jeder, der den Arbeitsbereich betritt, muss persönliche Schutzausrüstung tragen.** Bruchstücke des Werkstücks oder einer beschädigten Trennscheibe können weggeschleudert werden und Verletzungen über den unmittelbaren Arbeitsbereich hinaus verursachen.
11. **Halten Sie das Kabel vom rotierenden Zubehörteil fern.** Falls Sie die Kontrolle verlieren, kann das Kabel durchgetrennt oder erfasst werden, so dass Ihre Hand oder Ihr Arm in die rotierende Trennscheibe hineingezogen wird.
12. **Reinigen Sie die Ventilationsöffnungen des Elektrowerkzeugs regelmäßig.** Der Lüfter des Motors kann Staub in das Gehäuse ansaugen, und starke Ablagerungen von Metallstaub können elektrische Gefahren verursachen.
13. **Betreiben Sie das Elektrowerkzeug nicht in der Nähe von brennbaren Materialien. Betreiben Sie das Elektrowerkzeug nicht, während es auf einer brennbaren Oberfläche, wie z. B. Holz, liegt.** Funken könnten diese Materialien entzünden.
14. **Verwenden Sie keine Zubehörteile, die Kühlflüssigkeiten erfordern.** Die Verwendung von Wasser oder anderen Kühlflüssigkeiten kann zu einem Stromtod oder Stromschlag führen.

Warnungen vor Rückschlag und damit zusammenhängenden Gefahren

Rückschlag ist eine plötzliche Reaktion auf eine eingeklemmte oder stockende Trennscheibe. Klemmen oder Hängenbleiben verursacht ruckartiges Stocken der rotierenden Trennscheibe, was wiederum dazu führt, dass das außer Kontrolle geratene Schneidelement nach oben in Richtung des Bedieners geschleudert wird.

Wenn beispielsweise eine Schleifscheibe vom Werkstück erfasst oder eingeklemmt wird, kann sich die in den Klemmpunkt eindringende Schleifscheibenkante in die Materialoberfläche bohren, so dass sie herauspringt oder zurückschlägt. Schleifscheiben können unter solchen Bedingungen auch brechen. Rückschlag ist das Resultat falscher Handhabung des Elektrowerkzeugs und/oder falscher Arbeitsverfahren oder -bedingungen und kann durch Anwendung der nachstehenden Vorsichtsmaßnahmen vermieden werden.

1. **Halten Sie das Elektrowerkzeug mit festem Griff, und positionieren Sie Ihren Körper und Arm so, dass Sie die Rückschlagkräfte auffangen können.** Nach oben gerichtete Rückschlagkräfte können kontrolliert werden, wenn entsprechende Vorkehrungen getroffen

werden.

2. **Stellen Sie sich nicht so, dass sich Ihr Körper in einer Linie mit der rotierenden Trennscheibe befindet.** Falls ein Rückschlag auftritt, wird das Schneidelement nach oben auf den Bediener zu geschleudert.
3. **Bringen Sie keine Sägeketten, Holzfräsen, Segment-Diamantscheiben mit einem Randspalt von mehr als 10 mm oder gezahnte Sägeblätter an.** Solche Sägeblätter verursachen häufige Rückschläge und Verlust der Kontrolle.
4. **Vermeiden Sie „Verkanten“ der Trennscheibe oder die Ausübung übermäßigen Drucks. Versuchen Sie nicht, übermäßig tiefe Schnitte zu machen.** Überbeanspruchung der Trennscheibe erhöht die Belastung und die Empfänglichkeit für Verdrehen oder Klemmen der Trennscheibe im Schnitt sowie die Möglichkeit von Rückschlag oder Scheibenbruch.
5. **Falls die Trennscheibe klemmt oder der Schnitt aus irgendeinem Grund unterbrochen wird, schalten Sie das Elektrowerkzeug aus und halten Sie es bewegungslos im Werkstück, bis die Trennscheibe zum völligen Stillstand kommt. Versuchen Sie auf keinen Fall, die rotierende Trennscheibe aus dem Schnitt zu entfernen, weil sonst ein Rückschlag auftreten kann.** Nehmen Sie eine Überprüfung vor, und treffen Sie Abhilfemaßnahmen, um die Ursache von Trennscheiben-Klemmen zu beseitigen.
6. **Setzen Sie den Schnittbetrieb nicht mit im Werkstück sitzender Trennscheibe fort. Führen Sie die Trennscheibe vorsichtig in den Schnitt ein, nachdem sie die volle Drehzahl erreicht hat.** Wird das Elektrowerkzeug mit im Werkstück sitzender Trennscheibe eingeschaltet, kann die Trennscheibe klemmen, hochsteigen oder zurückschlagen.
7. **Stützen Sie übergroße Werkstücke ab, um die Gefahr von Klemmen oder Rückschlag der Trennscheibe zu minimieren.** Große Werkstücke neigen dazu, unter ihrem Eigengewicht durchzuhängen. Die Stützen müssen beidseitig der Trennscheibe nahe der Schnittlinie und in der Nähe der Werkstückkante unter das Werkstück platziert werden.

Zusätzliche Sicherheitswarnungen

1. **Nehmen Sie sich während des Betriebs vor Funkenflug in Acht.** Funken können Verletzungen verursachen oder brennbares Material entzünden.
2. **Werkstück sichern. Sichern Sie das Werkstück nach Möglichkeit mit Klemmen oder einem Schraubstock.** Dies ist sicherer als Handhaltung, und außerdem haben Sie beide Hände zur Bedienung des Werkzeugs frei.
3. **Sichern Sie die Trennscheibe sorgfältig.**
4. **Achten Sie darauf, dass die Spindel, die Flansche (insbesondere die Montagefläche) oder die Schraube nicht beschädigt werden, weil es sonst zu einem Bruch der Trennscheibe selbst kommen kann.**
5. **Schutzhauben müssen angebracht und in gutem Betriebszustand sein.**
6. **Halten Sie den Handgriff mit festem Griff.**

7. Halten Sie die Hände von rotierenden Teilen fern.
8. Vergewissern Sie sich vor dem Einschalten des Werkzeugs, dass die Trennscheibe nicht das Werkstück berührt.
9. Achten Sie vor jedem Gebrauch auf Flattern oder übermäßige Vibrationen, die durch schlechte Installation oder eine schlecht ausgewuchtete Trennscheibe verursacht werden.
10. Säubern Sie den Bereich von Material oder Abfällen, die durch Funken entzündet werden können. Achten Sie darauf, dass sich keine Personen in der Funkenflugbahn befinden. Halten Sie einen vorschriftsmäßig gefüllten Feuerlöscher griffbereit.
11. Falls die Trennscheibe während des Betriebs stockt, ein merkwürdiges Geräusch erzeugt oder zu vibrieren beginnt, schalten Sie das Werkzeug sofort aus.
12. Schalten Sie stets das Werkzeug aus, und warten Sie, bis die Trennscheibe zum vollständigen Stillstand gekommen ist, bevor Sie das Werkstück entfernen oder befestigen, den Schraubstock betätigen, die Arbeitsposition oder den Winkel ändern, oder die Trennscheibe auswechseln.
13. Berühren Sie das Werkstück nicht unmittelbar nach der Trennarbeit, da es sehr heiß ist und Hautverbrennungen verursachen kann.
14. Lagern Sie Trennscheiben nur an einem trockenen Ort.

BEWAHREN SIE DIESE ANLEITUNG AUF.

INSTALLATION

⚠️ WARNUNG: Dieses Werkzeug erzeugt Funken beim Schneiden eines Werkstücks. Installieren Sie dieses Werkzeug nicht an Orten, an denen brennbare und/oder explosive Materialien durch die vom Werkzeug erzeugten Funken entzündet werden könnten. Vergewissern Sie sich vor Arbeitsbeginn auch, dass sich keine derartigen Materialien in der Nähe des Werkzeugs befinden.

Sichern der Grundplatte

Dieses Werkzeug sollte unter Verwendung der Schraubenbohrungen in der Grundplatte mit zwei Schrauben auf einer ebenen und stabilen Oberfläche befestigt werden. Dies trägt zur Vermeidung von Umkippen und möglichen Verletzungen bei.

► **Abb.1:** 1. Schraubenbohrungen 2. Grundplatte

FUNKTIONSBE-SCHREIBUNG

⚠️ VORSICHT: Vergewissern Sie sich vor jeder Einstellung oder Funktionsprüfung des Werkzeugs stets, dass es ausgeschaltet und vom Stromnetz getrennt ist.

Entriegeln/Verriegeln des Werkzeugkopfes

Der Werkzeugkopf kann verriegelt werden. Verriegeln Sie stets den Werkzeugkopf, wenn Sie das Werkzeug nicht benutzen oder tragen.

Für LW1400

Zum Entriegeln den Werkzeugkopf leicht niederdrücken, und den Arretierstift hineindrücken. Zum Verriegeln den Arretierstift zurückstellen, während der Werkzeugkopf niedergedrückt gehalten wird.

► **Abb.2:** 1. Arretierstift

Für LW1401

Hängen Sie die Sicherungskette aus dem Haken aus. Hängen Sie die Sicherungskette stets in den Haken ein, wenn Sie das Werkzeug nicht benutzen.

► **Abb.3:** 1. Haken 2. Sicherungskette

Schalterfunktion

⚠️ WARNUNG: Vergewissern Sie sich vor dem Anschließen des Werkzeugs an das Stromnetz stets, dass der Ein-Aus-Schalter ordnungsgemäß funktioniert und beim Loslassen in die AUS-Stellung zurückkehrt.

► **Abb.4:** 1. Arretierknopf / Einschaltsperrknopf
2. Ein-Aus-Schalter

Für Werkzeug mit Arretierknopf

Zum Einschalten des Werkzeugs einfach den Ein-Aus-Schalter drücken. Zum Ausschalten den Ein-Aus-Schalter loslassen. Für Dauerbetrieb den Ein-Aus-Schalter betätigen, den Arretierknopf hineindrücken, und dann den Ein-Aus-Schalter loslassen. Zum Ausrasten der Sperre den Ein-Aus-Schalter bis zum Anschlag hineindrücken und dann loslassen.

⚠️ VORSICHT: Der Schalter kann zur Arbeitserleichterung bei längerem Einsatz in der EIN-Stellung verriegelt werden. Lassen Sie Vorsicht walten, wenn Sie den Schalter in der EIN-Stellung verriegeln, und halten Sie das Werkzeug mit festem Griff.

Für Werkzeug mit Einschaltsperrknopf

Um versehentliche Betätigung des Ein-Aus-Schalters zu verhüten, ist das Werkzeug mit einem Einschaltsperrknopf ausgestattet. Betätigen Sie zum Starten des Werkzeugs den Ein-Aus-Schalter bei gedrücktem Einschaltsperrknopf. Zum Ausschalten den Ein-Aus-Schalter loslassen.

⚠️ WARNUNG: Versuchen Sie NIEMALS, den Einschaltsperrknopf mit Klebeband oder anderen Mitteln unwirksam zu machen. Ein Schalter mit unwirksamem Einschaltsperrknopf kann zu ungewolltem Betrieb und daraus resultierenden schweren Personenschäden führen.

⚠️ WARNUNG: Betreiben Sie das Werkzeug NIEMALS, wenn es durch einfache Betätigung des Ein-Aus-Schalters eingeschaltet werden kann, ohne den Einschaltsperrknopf zu drücken. Ein reparaturbedürftiger Schalter kann zu ungewolltem Betrieb und daraus resultierenden schweren Personenschäden führen. Lassen Sie das Werkzeug von einer Makita-Kundendienststelle ordnungsgemäß reparieren, BEVOR Sie es weiter benutzen.

ANMERKUNG: Betätigen Sie den Ein-Aus-Schalter nicht gewaltsam, ohne den Einschaltsperrknopf hineinzudrücken. Dies kann zu Beschädigung des Schalters führen.

Spannbereich zwischen Schraubstock und Führungsplatte

⚠️ VORSICHT: Vergewissern Sie sich nach der Einstellung des Spannbereichs zwischen Schraubstock und Führungsplatte, dass die Führungsplatte ordnungsgemäß gesichert ist. Unzureichende Sicherung kann zu Personenschäden führen.

Die folgenden Spannbereichseinstellungen des Schraubstocks sind verfügbar:

- 0 - 170 mm (Original-Einstellung)
- 35 - 205 mm
- 70 - 240 mm

Falls Ihre Arbeit eine andere Einstellung erfordert, ändern Sie den Abstand oder den Spannbereich nach dem folgenden Verfahren.

Für LW1400

Lösen Sie die Schrauben an der Führungsplatte. Verschieben Sie die Führungsplatte zur gewünschten Position, und ziehen Sie dann die Schraube fest.
▶ **Abb.5:** 1. Schraube 2. Führungsplatte

Für LW1401

Entfernen Sie die zwei Sechskantschrauben mit einem Steckschlüssel. Verschieben Sie die Führungsplatte zur gewünschten Position, und sichern Sie sie mit den Sechskantschrauben.

▶ **Abb.6:** 1. Führungsplatte 2. Sechskantschrauben

Einstellung des Schnittwinkels

⚠️ VORSICHT: Vergewissern Sie sich nach der Einstellung des Winkels der Führungsplatte, dass die Führungsplatte ordnungsgemäß gesichert ist. Unzureichende Sicherung kann zu Personenschäden führen.

⚠️ VORSICHT: Betätigen Sie das Werkzeug nicht, wenn das Material wegen des Schnittwinkels nicht einwandfrei mit dem Schraubstock gesichert ist.

Für LW1400

Drehen Sie den Hebel entgegen dem Uhrzeigersinn. Verschieben Sie die Führungsplatte auf den gewünschten Winkel, und ziehen Sie den Hebel vollständig fest.
▶ **Abb.7:** 1. Führungsplatte 2. Hebel

Für LW1401

ANMERKUNG: Wenn Sie einen rechten Gehrungsschnitt durchführen, stellen Sie die Führungsplatte immer auf die Position 0 - 170 mm. Eine Einstellung auf die Position 35 - 205 mm oder 70 - 240 mm behindert die Bewegung der Anschlagplatte, was zu einem Fehlschnitt führt.

Lösen Sie die zwei Sechskantschrauben mit einem Steckschlüssel. Drehen Sie die Führungsplatte auf den gewünschten Winkel, und sichern Sie sie mit den Sechskantschrauben. Achten Sie darauf, dass der eingestellte Winkel beim Anziehen der Sechskantschrauben nicht verstellt wird.

▶ **Abb.8:** 1. Führungsplatte 2. Sechskantschrauben

HINWEIS: Die Skala auf der Führungsplatte ist nur eine Grobanzeige. Um den Winkel genauer einzustellen, verwenden Sie einen Winkelmesser oder ein Geodreieck. Halten Sie den Handgriff nieder, so dass die Trennscheibe in die Grundplatte hineinragt. Stellen Sie gleichzeitig den Winkel zwischen der Führungsplatte und der Trennscheibe mit einem Winkelmesser oder Geodreieck ein.

Einstellung des Funkenflug-Leitblechs

Nur für LW1401 (länderspezifisch)

▶ **Abb.9:** 1. Schraube 2. Funkenflug-Leitblech

Das Funkenflug-Leitblech wurde werkseitig so installiert, dass seine Unterkante die Grundplatte berührt. Der Betrieb des Werkzeugs in dieser Position verursacht starken Funkenflug. Lösen Sie die Schraube, und stellen Sie das Funkenflug-Leitblech auf eine Position ein, bei welcher der Funkenflug auf ein Minimum begrenzt wird.

Anschlagplatte

Nur für LW1401 (länderspezifisch)

▶ **Abb.10:** 1. Anschlagplatte

Die Anschlagplatte verhindert, dass die Trennscheibe die Werkbank oder die Aufstandsfläche berührt. Stellen Sie die Anschlagplatte nach der Montage einer neuen Trennscheibe auf die Position (A) ein. Wenn

die Trennscheibe so weit abgenutzt ist, dass das Werkstück nicht vollständig durchgeschnitten wird, stellen Sie die Anschlagplatte auf die Position (B) ein, um mit der abgenutzten Trennscheibe eine größere Schnitttiefe zu erreichen.

MONTAGE

⚠ VORSICHT: Vergewissern Sie sich vor der Ausführung von Arbeiten am Werkzeug stets, dass es ausgeschaltet und vom Stromnetz getrennt ist.

Öffnen der Schutzhaube mit Mittelkappe

Länderspezifisch

Bei Werkzeugen mit einer Schutzhaube mit Mittelkappe lösen Sie zuerst die Klemmschraube, bevor Sie die Schutzhaube anheben.

► **Abb.11:** 1. Klemmschraube

Öffnen der Schutzhaube für europäische Vorschriften

Länderspezifisch

Bei Werkzeugen mit einer Schutzhaube für europäische Vorschriften lösen Sie zuerst die Klemmschraube, bevor Sie die Schutzhaube wie gezeigt öffnen.

► **Abb.12:** 1. Klemmschraube

► **Abb.13**

► **Abb.14**

Demontage und Montage der Trennscheibe

⚠ VORSICHT: Ziehen Sie die Schnellklemme oder Sechskantschraube unbedingt sicher fest. Unzureichende Sicherung kann zu schweren Verletzungen führen. Verwenden Sie den mit dem Werkzeug gelieferten Steckschlüssel zum Anziehen der Sechskantschraube, um ordnungsgemäßes Festziehen zu gewährleisten.

⚠ VORSICHT: Verwenden Sie immer nur den mit dem Werkzeug gelieferten korrekten Innen- und Außenflansch.

⚠ VORSICHT: Schließen Sie stets die Schutzhaube nach dem Auswechseln der Trennscheibe.

⚠ VORSICHT: Tragen Sie Schutzhandschuhe bei der Handhabung von Trennscheiben.

► **Abb.15:** 1. Innenflansch 2. Ring 3. O-Ring
4. Trennscheibe 5. Außenflansch
6. Schnellklemme / Sechskantschraube

Für LW1400

Heben Sie die Schutzhaube an. Drehen Sie die Schnellklemme entgegen dem Uhrzeigersinn, während

Sie die Spindelarreterung niederhalten. Entfernen Sie dann die Schnellklemme, den Außenflansch und die Trennscheibe. Wenn Sie die Trennscheibe entfernen, lassen Sie den Innenflansch sowie den Ring und O-Ring angebracht.

► **Abb.16:** 1. Spindelarreterung 2. Schnellklemme

Zur Montage der Trennscheibe ist das Demontageverfahren umgekehrt anzuwenden. Achten Sie darauf, dass die Bohrung der Trennscheibe auf dem Ring sitzt, und dass die Schutzhaube zurückgestellt ist.

Für LW1401

Heben Sie die Schutzhaube an. Drehen Sie die Sechskantschraube mit einem Steckschlüssel entgegen dem Uhrzeigersinn, während Sie die Spindelarreterung niederhalten. Entfernen Sie dann die Sechskantschraube, den Außenflansch und die Trennscheibe.

► **Abb.17:** 1. Spindelarreterung
2. Sechskantschraube

Zur Montage der Trennscheibe ist das Demontageverfahren umgekehrt anzuwenden. Achten Sie darauf, dass die Bohrung der Trennscheibe auf dem Ring sitzt, und dass die Schutzhaube zurückgestellt ist.

BETRIEB

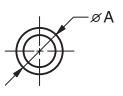
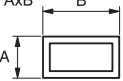
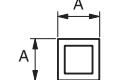
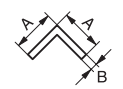
⚠ VORSICHT: Der richtige Vorschubdruck und der maximale Schnittwirkungsgrad können anhand der beim Schneiden erzeugten Funkenmenge ermittelt werden. Führen Sie den Schnitt nicht gewaltsam aus, indem Sie übermäßigen Druck auf den Handgriff ausüben. Übermäßige Druckausübung bewirkt nicht nur eine Reduzierung des Schnittwirkungsgrads und vorzeitigen Verschleiß der Trennscheibe, sondern kann auch zu einer Beschädigung von Werkzeug, Trennscheibe oder Werkstück führen.

Halten Sie den Handgriff sicher fest. Schalten Sie das Werkzeug ein, und warten Sie, bis die Trennscheibe ihre volle Drehzahl erreicht hat, bevor Sie sie sachte in den Schnitt absenken. Wenn die Trennscheibe das Werkstück berührt, drücken Sie den Handgriff allmählich nieder, um den Schnitt auszuführen. Sobald der Schnitt beendet ist, schalten Sie das Werkzeug aus, und warten Sie, bis die Trennscheibe zu einem vollständigen Stillstand gekommen ist, bevor Sie den Handgriff wieder ganz anheben.

Schnittleistung

Die maximale Schnittleistung hängt vom Schnittwinkel und der Werkstückform ab.

Max. Schnittleistung mit einer brandneuen Trennscheibe

Schnittwinkel / Werkstückform	90°	45°
	127 mm	127 mm
	115 x 130 mm 102 x 194 mm 70 x 233 mm	115 x 103 mm
	119 x 119 mm	106 x 106 mm
	137 x 137 x 10 mm	100 x 100 x 10 mm

Sicherung von Werkstücken

⚠ VORSICHT: Setzen Sie den Gewindehalter stets auf das Wellengewinde, wenn Sie das Werkstück sichern. Anderenfalls wird das Werkstück möglicherweise nicht ausreichend gesichert. Dies kann zu Herausschleudern des Werkstücks oder gefährlichem Bruch der Trennscheibe führen.

Bei angehobenem Gewindehalter kann die Schraubstockbacke schnell hinein und heraus bewegt werden. Zum Einspannen eines Werkstücks schieben Sie den Handgriff vor, bis die Schraubstockbacke das Werkstück berührt, und stellen Sie dann den Gewindehalter zurück. Drehen Sie den Handgriff im Uhrzeigersinn, bis das Werkstück einwandfrei gesichert ist.

► **Abb.18:** 1. Handgriff 2. Gewindehalter
3. Schraubstockbacke

Bei fortgeschrittener Abnutzung der Trennscheibe kann ein Distanzblock hinter das Werkstück gelegt werden, wie in der Abbildung gezeigt. Um die abgenutzte Trennscheibe wirksamer einzusetzen, sollte der Mittelpunkt des Trennscheibenumfangs zum Schneiden des Werkstücks verwendet werden. Verwenden Sie ein robustes und nicht brennbares Material für den Distanzblock.

► **Abb.19:** 1. Distanzblock

Wenn Sie Werkstücke von mehr als 85 mm Breite in einem Winkel schneiden, bringen Sie ein gerades Stück Holz (Distanzstück) von mehr als 190 mm Länge x 45 mm Breite an der Führungsplatte an, wie in der Abbildung gezeigt. Befestigen Sie dieses Distanzstück mit Schrauben in den Löchern der Führungsplatte. Vergewissern Sie sich, dass die Trennscheibe nicht das Distanzstück berührt, wenn der Werkzeugkopf niedergedrückt wird.

► **Abb.20:** 1. Führungsplatte 2. Distanzblock (über 190 mm lang x 45 mm breit) 3. Werkstück (über 85 mm breit) 4. Schraubstockbacke

► **Abb.21**

Wenn die Trennscheibe abgenutzt ist, heben Sie die Schnittposition an, indem Sie einen Distanzblock, der geringfügig schmaler als das Werkstück ist, so anbringen, wie in der Abbildung gezeigt. Dies trägt zu einer rationellen Nutzung der Trennscheibe bei.

► **Abb.22:** 1. Schraubstockbacke
2. Werkstückdurchmesser
3. Führungsplatte 4. Distanzblockbreite

Lange Werkstücke müssen auf beiden Seiten mit Blöcken abgestützt werden, welche die gleiche Höhe wie die Oberseite der Grundplatte haben. Verwenden Sie ein nicht brennbares Material für die Stützblöcke.

► **Abb.23:** 1. Stützblock

Tragen des Werkzeugs

Klappen Sie den Werkzeugkopf herunter, und verriegeln Sie ihn. Halten Sie das Werkzeug zum Tragen am Handgriff.

► **Abb.24**

WARTUNG

⚠ VORSICHT: Vergewissern Sie sich vor der Durchführung von Überprüfungen oder Wartungsarbeiten des Werkzeugs stets, dass es ausgeschaltet und vom Stromnetz getrennt ist.

ANMERKUNG: Verwenden Sie auf keinen Fall Benzin, Waschbenzin, Verdünnern, Alkohol oder dergleichen. Solche Mittel können Verfärbung, Verformung oder Rissbildung verursachen.

Auswechseln der Kohlebürsten

► **Abb.25:** 1. Verschleißgrenze

Überprüfen Sie die Kohlebürsten regelmäßig. Wechseln Sie sie aus, wenn sie bis zur Verschleißgrenze abgenutzt sind. Halten Sie die Kohlebürsten stets sauber, damit sie ungehindert in den Haltern gleiten können. Beide Kohlebürsten sollten gleichzeitig ausgewechselt werden. Verwenden Sie nur identische Kohlebürsten.

1. Drehen Sie die Bürstenhalterkappen mit einem Schraubendreher heraus.

2. Nehmen Sie die abgenutzten Kohlebürsten heraus, setzen Sie die neuen ein, und drehen Sie dann die Bürstenhalterkappen wieder ein.

► **Abb.26:** 1. Bürstenhalterkappe

SONDERZUBEHÖR

⚠ VORSICHT: Die folgenden Zubehörteile oder Vorrichtungen werden für den Einsatz mit dem in dieser Anleitung beschriebenen Makita-Werkzeug empfohlen. Die Verwendung anderer Zubehörteile oder Vorrichtungen kann eine Verletzungsgefahr darstellen. Verwenden Sie Zubehörteile oder Vorrichtungen nur für ihren vorgesehenen Zweck.

Wenn Sie weitere Einzelheiten bezüglich dieser Zubehörteile benötigen, wenden Sie sich bitte an Ihre Makita-Kundendienststelle.

- Trennschleifscheiben
- Steckschlüssel (nur für LW1401)

HINWEIS: Manche Teile in der Liste können als Standardzubehör im Werkzeugsatz enthalten sein. Sie können von Land zu Land unterschiedlich sein.

DATI TECNICI

Modello:		LW1400	LW1401
Diametro disco		355 mm	
Spessore massimo disco		3 mm	
Diametro foro		25,4 mm	
Velocità a vuoto		3.800 min ⁻¹	
Dimensioni (L x P x A)	Con protezione di sicurezza di tipo europeo	530 mm x 295 mm x 640 mm	500 mm x 295 mm x 640 mm
	Con protezione di sicurezza diversa dal tipo europeo	530 mm x 295 mm x 640 mm	500 mm x 290 mm x 620 mm
Peso netto	Con protezione di sicurezza di tipo europeo e sottofondo	18,7 kg	18,3 kg
Classe di sicurezza		II/III	

- In conseguenza del nostro programma di ricerca e sviluppo continui, i dati tecnici nel presente manuale sono soggetti a modifiche senza preavviso.
- I dati tecnici possono variare da nazione a nazione.
- Peso in base alla procedura EPTA 01/2014
- La forma e il peso variano a seconda dei dati tecnici, che variano da nazione a nazione.

Utilizzo previsto

L'utensile è destinato al taglio di materiali ferrosi mediante l'uso di un disco da taglio abrasivo appropriato. Attenersi a tutte le leggi e le normative relative alle polveri e alla salute e alla sicurezza dell'area di lavoro della propria nazione.

Alimentazione

L'utensile deve essere collegato a una fonte di alimentazione con la stessa tensione indicata sulla targhetta del nome, e può funzionare solo a corrente alternata monofase. L'utensile è dotato di doppio isolamento, per cui può essere utilizzato con prese elettriche sprovviste di messa a terra.

Per i sistemi di distribuzione della rete elettrica pubblica a bassa tensione da 220 V a 250 V

Le operazioni di accensione e spegnimento degli apparecchi elettrici causano fluttuazioni di tensione. L'utilizzo di questo dispositivo in condizioni inadatte della rete elettrica potrebbe produrre effetti negativi sul funzionamento di altri apparecchi. Con un'impedenza delle rete elettrica pari o inferiore a 0,18 ohm, si può presumere che non si verifichino effetti negativi. La presa elettrica di rete utilizzata per questo dispositivo deve essere protetta da un fusibile o da un interruttore automatico di protezione a bassa velocità di intervento.

Rumore

Livello tipico di rumore pesato A determinato in base allo standard EN62841-3-10:

Modello LW1400

Livello di pressione sonora (L_{pA}): 102 dB (A)

Livello di potenza sonora (L_{WA}): 110 dB (A)
 Incertezza (K): 3 dB (A)

Modello LW1401

Livello di pressione sonora (L_{pA}): 102 dB (A)
 Livello di potenza sonora (L_{WA}): 110 dB (A)
 Incertezza (K): 3 dB (A)

NOTA: Il valore o i valori dichiarati delle emissioni di rumori sono stati misurati in conformità a un metodo standard di verifica, e possono essere utilizzati per confrontare un utensile con un altro.

NOTA: Il valore o i valori dichiarati delle emissioni di rumori possono venire utilizzati anche per una valutazione preliminare dell'esposizione.

AVVERTIMENTO: Indossare protezioni per le orecchie.

AVVERTIMENTO: L'emissione di rumori durante l'utilizzo effettivo dell'utensile elettrico può variare rispetto al valore o ai valori dichiarati, a seconda dei modi in cui viene utilizzato l'utensile e specialmente a seconda di che tipo di pezzo venga lavorato.

AVVERTIMENTO: Accertarsi di identificare misure di sicurezza per la protezione dell'operatore che siano basate su una stima dell'esposizione nelle condizioni effettive di utilizzo (tenendo conto di tutte le parti del ciclo operativo, ad esempio del numero di spegnimenti dell'utensile e di quando giri a vuoto, oltre al tempo di attivazione).

Vibrazioni

Valore totale delle vibrazioni (somma vettoriale triassiale) determinato in base allo standard EN62841-3-10:

Modello LW1400

Emissione di vibrazioni (a_h): 2,5 m/s² o inferiore

Incertezza (K): 1,5 m/s²

Modello LW1401

Emissione di vibrazioni (a_h): 2,5 m/s² o inferiore

Incertezza (K): 1,5 m/s²

NOTA: Il valore o i valori complessivi delle vibrazioni dichiarati sono stati misurati in conformità a un metodo standard di verifica, e possono essere utilizzati per confrontare un utensile con un altro.

NOTA: Il valore o i valori complessivi delle vibrazioni dichiarati possono venire utilizzati anche per una valutazione preliminare dell'esposizione.

⚠AVVERTIMENTO: L'emissione delle vibrazioni durante l'utilizzo effettivo dell'utensile elettrico può variare rispetto al valore o ai valori dichiarati, a seconda dei modi in cui viene utilizzato l'utensile, specialmente a seconda di che tipo di pezzo venga lavorato.

⚠AVVERTIMENTO: Accertarsi di identificare misure di sicurezza per la protezione dell'operatore che siano basate su una stima dell'esposizione nelle condizioni effettive di utilizzo (tenendo conto di tutte le parti del ciclo operativo, ad esempio del numero di spegnimenti dell'utensile e di quando giri a vuoto, oltre al tempo di attivazione).

Dichiarazioni di conformità

Solo per i paesi europei

Le Dichiarazioni di conformità sono incluse nell'Allegato A al presente manuale d'uso.

Avvertenze generali relative alla sicurezza dell'utensile elettrico

⚠AVVERTIMENTO Leggere tutte le avvertenze di sicurezza, le istruzioni, le illustrazioni e i dati tecnici forniti insieme a questo utensile elettrico. La mancata osservanza di tutte le istruzioni seguenti potrebbe risultare in scosse elettriche, incendi e/o gravi lesioni personali.

Conservare tutte le avvertenze e le istruzioni come riferimento futuro.

Il termine "utensile elettrico" nelle avvertenze si riferisce sia all'utensile elettrico (cablato) nel funzionamento alimentato da rete elettrica che all'utensile elettrico (a batteria) nel funzionamento alimentato a batteria.

Avvertenze di sicurezza relative alla troncatrice

1. **Posizionare se stessi e gli astanti lontano dal piano del disco in rotazione.** La protezione contribuisce a proteggere l'operatore da frammenti di disco rotti e dal contatto accidentale con il disco.
2. **Utilizzare solo dischi da taglio rinforzati a legante per l'utensile elettrico.** La semplice possibilità di montare un accessorio sull'utensile elettrico non garantisce un funzionamento sicuro.
3. **La velocità nominale dell'accessorio deve essere almeno pari alla velocità massima**

indicata sull'utensile elettrico. Gli accessori che girano più velocemente della loro velocità nominale possono spaccarsi, e i frammenti possono venire scagliati via.

4. **Utilizzare i dischi solo per le applicazioni consigliate. Ad esempio: non molare con la superficie laterale di un disco da taglio.** I dischi da taglio abrasivi sono destinati alla molatura periferica, e le forze laterali applicate a questi dischi potrebbero farli spaccare.
5. **Utilizzare sempre flange per disco non danneggiate che siano del diametro appropriato al disco scelto.** Le flange per disco appropriate supportano il disco, riducendo pertanto la possibilità di rottura del disco stesso.
6. **Il diametro esterno e lo spessore dell'accessorio utilizzato devono rientrare nella capacità nominale dell'utensile elettrico utilizzato.** Non è possibile proteggere o controllare in modo adeguato accessori di dimensioni errate.
7. **La dimensione per l'albero di dischi e flange deve corrispondere correttamente al mandrino dell'utensile elettrico.** Dischi e flange con fori per l'albero che non corrispondano agli attacchi di montaggio dell'utensile elettrico funzionano in modo sbilanciato, vibrano eccessivamente e potrebbero causare la perdita di controllo.
8. **Non utilizzare dischi danneggiati. Prima di ciascun utilizzo, ispezionare i dischi e verificare l'eventuale presenza di scheggiature e spaccature. Qualora l'utensile elettrico o il disco vengano fatti cadere, verificare l'eventuale presenza di danni o installare un disco non danneggiato. Dopo aver ispezionato e installato il disco, posizionare se stessi e gli astanti lontano dal piano del disco in rotazione, quindi far funzionare l'utensile elettrico alla massima velocità a vuoto per un minuto.** I dischi danneggiati in genere si rompono durante questo periodo di prova.
9. **Indossare un'attrezzatura di protezione personale. A seconda dell'applicazione, utilizzare una visiera protettiva, occhiali oppure occhiali di sicurezza. A seconda delle esigenze, indossare una mascherina antipolvere, protezioni per l'udito, guanti e un grembiule da officina in grado di arrestare piccoli frammenti abrasivi o dei pezzi in lavorazione.** La protezione per gli occhi deve essere in grado di arrestare detriti volanti generati da svariate operazioni. La mascherina antipolvere o il respiratore devono essere in grado di filtrare le particelle generate dall'operazione in corso. L'esposizione prolungata al rumore ad alta intensità potrebbe causare la perdita dell'udito.
10. **Tenere gli astanti a distanza di sicurezza dall'area di lavoro. Chiunque entri nell'area di lavoro deve indossare l'attrezzatura di protezione personale.** I frammenti del pezzo in lavorazione o di un disco rotto potrebbero venire scagliati via e causare lesioni personali a una distanza superiore alle immediate vicinanze dell'operazione in corso.
11. **Posizionare il cavo di alimentazione a distanza dall'accessorio in rotazione.** Qualora si perda il controllo dell'utensile, il cavo di alimentazione potrebbe venire tagliato o restare impigliato, e la

mano o il braccio dell'operatore potrebbero venire tirati nel disco in rotazione.

- Pulire regolarmente le aperture di ventilazione dell'utensile elettrico.** La ventola del motore può attirare le polveri all'interno dell'alloggiamento, e l'accumulo eccessivo di polvere metallica potrebbe causare pericoli di natura elettrica.
- Non far funzionare l'utensile elettrico in prossimità di materiali infiammabili. Non far funzionare l'utensile elettrico mentre è appoggiato su una superficie combustibile, ad esempio il legno.** Le scintille potrebbero incendiare materiali di questo tipo.
- Non utilizzare accessori che richiedano refrigeranti liquidi.** L'impiego di acqua o di altri refrigeranti liquidi potrebbe causare la folgorazione o scosse elettriche.

Contraccollo e relative avvertenze

Il contraccollo è una reazione improvvisa a un disco in rotazione che resti incastrato o impigliato. Un disco in rotazione che resti incastrato o impigliato subisce un rapido stallo che, a sua volta, spinge l'unità da taglio fuori controllo in alto, verso l'operatore. Ad esempio, qualora un disco abrasivo resti incastrato o impigliato nel pezzo in lavorazione, il filo del disco che entra nel punto di inceppamento potrebbe scavare nella superficie del materiale, causando la fuoriuscita o il contraccollo del disco verso l'esterno. In queste condizioni, i dischi abrasivi potrebbero anche rompersi. Il contraccollo è il risultato dell'uso improprio dell'utensile elettrico e/o di procedure o condizioni operative errate, e può essere evitato adottando le precauzioni appropriate indicate di seguito.

- Mantenere una salda presa sull'utensile elettrico e posizionare il corpo e il braccio in modo da poter resistere alle forze dei contraccolpi.** L'operatore può controllare le forze dei contraccolpi verso l'alto, se adotta le precauzioni appropriate.
- Non posizionare il proprio corpo in linea con il disco in rotazione.** Qualora si verifichi un contraccollo, quest'ultimo lancia l'unità da taglio in l'alto verso l'operatore.
- Non montare catene per seghe, lame da intaglio per legno, dischi diamantati a settori con distanza periferica tra i settori superiore a 10 millimetri o lame dentate.** Queste lame causano frequenti contraccolpi e perdite di controllo.
- Non spingere forzatamente il disco da taglio né applicare una pressione eccessiva. Non tentare di realizzare tagli eccessivamente profondi.** La sollecitazione eccessiva del disco incrementa il carico e la suscettibilità alla torsione o all'inceppamento del disco nel taglio, nonché la possibilità di contraccolpi o di rottura del disco.
- Quando il disco si sta inceppando o quando si intende interrompere il taglio per un qualsiasi motivo, spegnere l'utensile elettrico e mantenerlo immobile fino all'arresto completo del disco. Non tentare mai di rimuovere il disco dal taglio mentre il disco è in movimento, o si potrebbe verificare un contraccollo.** Investigare e adottare misure correttive per eliminare la causa dell'inceppamento del disco.
- Non riavviare l'operazione di taglio all'interno**

del pezzo in lavorazione. Lasciare che il disco raggiunga la piena velocità e rientrare con attenzione nel taglio. Qualora si riavvii l'utensile elettrico all'interno del pezzo in lavorazione, il disco potrebbe incepparsi, rialzarsi o dare un contraccollo.

- Supportare qualsiasi pezzo in lavorazione di grandi dimensioni, per ridurre al minimo il rischio che il disco resti incastrato o causi contraccolpi.** I pezzi in lavorazione di grandi dimensioni tendono a curvarsi sotto il proprio peso. I supporti devono essere piazzati sotto il pezzo in lavorazione, vicini alla linea di taglio e in prossimità del bordo del pezzo in lavorazione, da entrambi i lati del disco.

Avvertenze di sicurezza aggiuntive

- Fare attenzione alle scintille sprigionate durante l'uso.** Potrebbero causare lesioni personali o incendiare materiali combustibili.
- Fissare il pezzo in lavorazione. Utilizzare dei morsetti o una morsa per tenere fermo il pezzo in lavorazione, laddove sia praticabile.** Questa procedura è più sicura che utilizzare le mani, e consente di tenere libere entrambe le mani per l'utilizzo dell'utensile.
- Serrare con cura il disco da taglio.**
- Fare attenzione a non danneggiare il mandrino, le flange (soprattutto la superficie di installazione) o il bullone; in caso contrario, il disco da taglio stesso potrebbe rompersi.**
- Mantenere le protezioni in sede e in buone condizioni operative.**
- Tenere saldamente il manico.**
- Tenere le mani lontane dalle parti girevoli.**
- Prima di attivare l'interruttore, accertarsi che il disco da taglio non sia in contatto con il pezzo in lavorazione.**
- Prima di ciascun utilizzo, osservare se siano presenti fluttuazioni o vibrazioni eccessive, che potrebbero essere causate da un'installazione errata o da un disco bilanciato male.**
- Rimuovere dall'area il materiale o i detriti che potrebbero essere incendiati dalle scintille. Inoltre, accertarsi che non siano presenti altre persone sul percorso delle scintille. Tenere sempre a portata di mano un estintore carico appropriato.**
- Qualora durante l'uso il disco da taglio si arresti, emetta un rumore inusuale o inizi a vibrare, spegnere immediatamente l'utensile.**
- Spegnere sempre l'utensile e attendere che il disco da taglio si arresti completamente, prima di rimuovere o fissare un pezzo in lavorazione, regolare una morsa o cambiare la posizione di lavoro, l'angolazione del disco o il disco da taglio stesso.**
- Non toccare il pezzo in lavorazione subito dopo l'operazione; la sua temperatura è estremamente elevata e potrebbe ustionare la pelle.**
- Conservate i dischi solo in un luogo asciutto.**

CONSERVARE LE PRESENTI ISTRUZIONI.

INSTALLAZIONE

⚠AVVERTIMENTO: Questo utensile produce scintille durante il taglio di un pezzo in lavorazione. Non installare questo utensile in un'ubicazione in cui materiali infiammabili e/o esplosivi possano venire incendiati dalle scintille sprigionate dall'utensile. Inoltre, accertarsi che non siano presenti materiali di questo tipo in prossimità dell'utensile prima di iniziare l'operazione.

Fissaggio della base

Questo utensile deve essere imbullonato con due bulloni su una superficie piana e stabile utilizzando i fori per bulloni forniti nella base dell'utensile. Questo contribuisce a evitare il rovesciamento dell'utensile e potenziali lesioni personali.

► Fig.1: 1. Fori per bulloni 2. Base

DESCRIZIONE DELLE FUNZIONI

⚠ATTENZIONE: Accertarsi sempre che l'utensile sia spento e scollegato dall'alimentazione prima di regolare o controllare le sue funzioni.

Sblocco/blocco della testa dell'utensile

È possibile bloccare la testa dell'utensile. Bloccare sempre la testa dell'utensile quando non è in uso o durante il trasporto.

Per il modello LW1400

Per sbloccare la testa dell'utensile, premerla leggermente verso il basso e premere il perno di blocco. Per bloccarla, riportare il perno di blocco nella posizione precedente mentre si tiene abbassata la testa dell'utensile.

► Fig.2: 1. Perno di blocco

Per il modello LW1401

Sganciare la catena di blocco dal gancio. Agganciare sempre la catena di blocco al gancio quando non si utilizza l'utensile.

► Fig.3: 1. Gancio 2. Catena di blocco

Funzionamento dell'interruttore

⚠AVVERTIMENTO: Prima di collegare l'utensile all'alimentazione elettrica, controllare sempre che l'interruttore a grilletto funzioni correttamente e che torni sulla posizione "OFF" quando viene rilasciato.

► Fig.4: 1. Pulsante di blocco / Pulsante di sblocco
2. Interruttore a grilletto

Per gli utensili dotati di pulsanti di blocco

Per avviare l'utensile, è sufficiente premere l'interruttore

a grilletto. Rilasciare l'interruttore a grilletto per arrestarlo. Per il funzionamento continuo, premere l'interruttore a grilletto, premere il pulsante di blocco per farlo rientrare, quindi rilasciare l'interruttore a grilletto. Per arrestare l'utensile dalla posizione di blocco, premere a fondo il grilletto, quindi rilasciarlo.

⚠ATTENZIONE: L'interruttore può essere bloccato sulla posizione "ON" per comodità dell'operatore durante l'uso prolungato. Fare attenzione quando si blocca l'utensile sulla posizione "ON", e mantenere una presa salda sull'utensile.

Per gli utensili dotati di pulsanti di sblocco

L'utensile è dotato di un pulsante di sblocco, per evitare di premere accidentalmente l'interruttore a grilletto. Per avviare l'utensile, premere il pulsante di sblocco e premere l'interruttore a grilletto. Rilasciare l'interruttore a grilletto per arrestarlo.

⚠AVVERTIMENTO: Non rendere MAI inefficace il pulsante di sblocco tenendolo premuto con nastro adesivo o in altri modi. Un interruttore con un pulsante di sblocco che sia stato reso inefficace potrebbe risultare in un funzionamento accidentale e in gravi lesioni personali.

⚠AVVERTIMENTO: Non utilizzare MAI l'utensile qualora si avvii semplicemente premendo l'interruttore a grilletto senza tenere premuto il pulsante di sblocco. Un interruttore che necessiti di riparazione potrebbe risultare in un funzionamento accidentale e in gravi lesioni personali. Riportare l'utensile a un centro di assistenza Makita per le riparazioni necessarie PRIMA di un ulteriore utilizzo.

AVVISO: Non premere con forza l'interruttore a grilletto senza aver fatto rientrare il pulsante di sblocco premendolo. In caso contrario, si potrebbe causare la rottura dell'interruttore.

Intervallo tra la morsa e la piastra guida

⚠ATTENZIONE: Dopo aver regolato l'intervallo tra la morsa e la piastra guida, accertarsi che quest'ultima sia fissata saldamente. Un serraggio insufficiente potrebbe risultare in lesioni personali.

Sono possibili le regolazioni dell'intervallo della morsa seguenti:

- 0 - 170 mm (impostazione originale)
- 35 - 205 mm
- 70 - 240 mm

Qualora il lavoro richieda un'impostazione diversa, procedere nel modo seguente per modificare la spaziatura o l'intervallo.

Per il modello LW1400

Allentare le vite sulla piastra guida. Spostare la piastra guida sulla posizione desiderata, quindi serrare le vite.

► Fig.5: 1. Vite 2. Piastra guida

Per il modello LW1401

Rimuovere i due bulloni esagonali utilizzando una chiave a bussola. Spostare la piastra guida sulla

posizione desiderata e fissarla utilizzando i bulloni esagonali.

► **Fig.6:** 1. Piastra guida 2. Bulloni esagonali

Regolazione dell'angolo di taglio

⚠ATTENZIONE: Dopo aver regolato l'angolazione della piastra guida, accertarsi che quest'ultima sia fissata saldamente. Un serraggio insufficiente potrebbe risultare in lesioni personali.

⚠ATTENZIONE: Non utilizzare l'utensile quando il materiale non è saldamente fissato con la morsa a causa dell'angolo di taglio.

Per il modello LW1400

Ruotare la leva in senso antiorario. Spostare la piastra guida sull'angolazione desiderata, quindi serrare completamente la leva.

► **Fig.7:** 1. Piastra guida 2. Leva

Per il modello LW1401

AVVISO: Quando si intende eseguire tagli obliqui a destra, impostare sempre la piastra guida sulla posizione 0 - 170 mm. L'impostazione sulla posizione 35 - 205 mm o 70 - 240 mm ostacola il movimento della piastra di fermo, il che risulta in un taglio non riuscito.

Allentare i due bulloni esagonali utilizzando una chiave a bussola. Ruotare la piastra guida sull'angolazione desiderata e fissarla utilizzando i bulloni esagonali. Fare attenzione a non spostare l'angolazione impostata mentre si fissano i bulloni esagonali.

► **Fig.8:** 1. Piastra guida 2. Bulloni esagonali

NOTA: La scala sulla piastra guida è solo un'indicazione approssimativa. Per un'angolazione più accurata, utilizzare un goniometro o un righello triangolare. Mantenere abbassato il manico in modo che il disco da taglio si allunghi nella base. Allo stesso tempo, regolare l'angolo tra la piastra guida e il disco da taglio con un goniometro o un righello triangolare.

Regolazione del parascintille

Solo per il modello LW1401 (specifico per la nazione)

► **Fig.9:** 1. Vite 2. Parascintille

Il parascintille viene installato in fabbrica con il suo bordo inferiore a contatto con la base. Facendo funzionare l'utensile in questa posizione vengono sprigionate molte scintille nell'area circostante. Allentare la vite e regolare il parascintille su una posizione che sprigioni la minor quantità possibile di scintille nell'area circostante.

Piastra di fermo

Solo per il modello LW1401 (specifico per la nazione)

► **Fig.10:** 1. Piastra di fermo

La piastra di fermo impedisce al disco da taglio di entrare in contatto con il piano di lavoro o il pavimento. Quando si installa un nuovo disco da taglio, impostare la piastra di fermo sulla posizione (A). Quando il disco

da taglio si usura al punto che la porzione più bassa del pezzo in lavorazione viene lasciata non tagliata, impostare la piastra di fermo sulla posizione (B) per consentire una maggiore capacità di taglio con un disco usurato.

MONTAGGIO

⚠ATTENZIONE: Accertarsi sempre che l'utensile sia spento e scollegato dall'alimentazione elettrica, prima di effettuare qualsiasi intervento su di esso.

Apertura della protezione di sicurezza del tipo con calotta centrale

Specifica in base alla nazione

Per gli utensili dotati di protezione di sicurezza del tipo con calotta centrale, innanzitutto allentare la vite di bloccaggio, quindi sollevare la protezione.

► **Fig.11:** 1. Vite di bloccaggio

Apertura della protezione di sicurezza di tipo europeo

Specifica in base alla nazione

Per gli utensili dotati di protezione di sicurezza di tipo europeo, innanzitutto allentare la vite di bloccaggio, quindi aprire la protezione come indicato nella figura.

► **Fig.12:** 1. Vite di bloccaggio

► **Fig.13**

► **Fig.14**

Rimozione o installazione del disco da taglio

⚠ATTENZIONE: Accertarsi di serrare saldamente il morsetto che non richiede utensili o il bullone esagonale. Un serraggio insufficiente potrebbe risultare in gravi lesioni personali. Quando si serra il bullone esagonale, utilizzare la chiave a bussola in dotazione con l'utensile per assicurare il serraggio corretto.

⚠ATTENZIONE: Utilizzare sempre esclusivamente le flange interna ed esterna corrette in dotazione con questo utensile.

⚠ATTENZIONE: Abbassare sempre la protezione di sicurezza dopo la sostituzione del disco.

⚠ATTENZIONE: Indossare i guanti quando si maneggiano i dischi.

► **Fig.15:** 1. Flangia interna 2. Anello 3. Guarnizione circolare 4. Disco da taglio 5. Flangia esterna 6. Morsetto che non richiede utensili/bullone esagonale

Per il modello LW1400

Sollevare la protezione di sicurezza. Ruotare il morsetto

che non richiede utensili in senso antiorario mentre si tiene premuto il blocco albero. Quindi, rimuovere il morsetto che non richiede utensili, la flangia esterna e il disco da taglio. Quando si intende rimuovere il disco da taglio, non rimuovere la flangia interna né l'anello e la guarnizione circolare.

► **Fig.16:** 1. Blocco albero 2. Morsetto che non richiede utensili

Per installare il disco da taglio, seguire la procedura di rimozione al contrario. Accertarsi di inserire il foro del disco da taglio nell'anello e rimettere a posto la protezione di sicurezza.

Per il modello LW1401

Sollevare la protezione di sicurezza. Ruotare il bullone esagonale in senso antiorario utilizzando una chiave a bussola mentre si tiene premuto il blocco albero. Quindi, rimuovere il bullone esagonale, la flangia esterna e il disco.

► **Fig.17:** 1. Blocco albero 2. Bullone esagonale

Per installare il disco, seguire la procedura di rimozione al contrario. Accertarsi di inserire il foro del disco da taglio nell'anello e rimettere a posto la protezione di sicurezza.

FUNZIONAMENTO

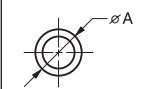
⚠ATTENZIONE: È possibile stabilire la pressione appropriata sul manico durante il taglio e l'efficienza massima di taglio in base alla quantità di scintille prodotte durante il taglio. Non forzare il taglio applicando una pressione eccessiva sul manico. Ne potrebbe conseguire un'efficienza di taglio ridotta, l'usura prematura del disco, nonché un possibile danneggiamento dell'utensile, del disco da taglio o del pezzo in lavorazione.

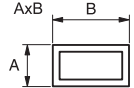
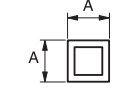

Tenere saldamente la maniglia. Accendere l'utensile e attendere che il disco da taglio abbia raggiunto la piena velocità, prima di abbassarlo delicatamente nel taglio. Quando il disco da taglio entra in contatto con il pezzo in lavorazione, fare gradualmente pressione sulla maniglia per eseguire il taglio. Al completamento del taglio, spegnere l'utensile e attendere l'arresto completo del disco da taglio prima di riportare la maniglia sulla posizione completamente rialzata.

Capacità di taglio

La capacità massima di taglio varia a seconda dell'angolo di taglio e della forma del pezzo in lavorazione.

Capacità max di taglio con un disco da taglio nuovo

Angolo di taglio / Forma del pezzo in lavorazione	90°	45°
	127 mm	127 mm

Angolo di taglio / Forma del pezzo in lavorazione	90°	45°
	115 x 130 mm 102 x 194 mm 70 x 233 mm	115 x 103 mm
	119 x 119 mm	106 x 106 mm
	137 x 137 x 10 mm	100 x 100 x 10 mm

Fissaggio del pezzo in lavorazione

⚠ATTENZIONE: Posizionare sempre il fermo per filettatura sui filetti dell'albero quando si fissa il pezzo in lavorazione. La mancata osservanza di questa istruzione potrebbe risultare in un fissaggio insufficiente del pezzo in lavorazione. Questo potrebbe causare l'espulsione del pezzo in lavorazione o una pericolosa rottura del disco da taglio.

Mentre il fermo per filettatura è sollevato, è possibile spostare rapidamente la piastra morsa verso l'interno e l'esterno. Per tenere fermo un pezzo in lavorazione, spingere la maniglia della morsa fino a quando la piastra morsa entra in contatto con il pezzo in lavorazione, quindi riappare il fermo per filettatura. Ruotare la maniglia in senso orario fino a quando il pezzo in lavorazione viene mantenuto in posizione saldamente.

► **Fig.18:** 1. Maniglia 2. Fermo per filettatura 3. Piastra morsa

Quando il disco da taglio si è usurato notevolmente, posizionare un blocco distanziatore dietro il pezzo in lavorazione, come mostrato nella figura. È possibile utilizzare con maggiore efficienza il disco usurato utilizzando il punto mediano sulla periferia del disco per tagliare il pezzo in lavorazione. Come blocco distanziatore, utilizzare un materiale robusto e non infiammabile.

► **Fig.19:** 1. Blocco distanziatore

Quando si intende tagliare ad angolo pezzi in lavorazione di larghezza superiore a 85 mm, applicare alla piastra guida un pezzo di legno diritto (distanziatore) di dimensioni superiori a 190 mm di lunghezza x 45 mm di larghezza, come mostrato nella figura. Applicare questo distanziatore con delle viti attraverso i fori nella piastra guida. Accertarsi che il disco da taglio non sia in contatto con il distanziatore, quando si preme verso il basso la testa dell'utensile.

► **Fig.20:** 1. Piastra guida 2. Blocco distanziatore (di dimensioni superiori a 190 mm di lunghezza x 45 mm di larghezza) 3. Pezzo in lavorazione (di larghezza superiore a 85 mm) 4. Piastra morsa

► **Fig.21**

Quando il disco da taglio si è usurato, sollevare la posizione di taglio inserendo un blocco distanziatore che sia leggermente più stretto del pezzo in lavorazione, come mostrato nella figura. Ciò contribuisce a un utilizzo

economico del disco da taglio.

- **Fig.22:** 1. Piastra morsa 2. Diametro del pezzo in lavorazione 3. Piastra guida 4. Larghezza del blocco distanziatore

I pezzi lunghi devono essere supportati ad entrambi i lati con dei blocchi, in modo da essere a livello con la parte superiore della base. Per i blocchi di supporto, utilizzare materiale non infiammabile.

- **Fig.23:** 1. Blocco di supporto

Trasporto dell'utensile

Ripiegare verso il basso la testa dell'utensile e bloccarla. Tenere l'utensile per il manico durante il trasporto.

- **Fig.24**

- Dischi da taglio abrasivi
- Chiave a bussola (solo per il modello LW1401)

NOTA: Alcuni articoli nell'elenco potrebbero essere inclusi nell'imballaggio dell'utensile come accessori standard. Tali articoli potrebbero variare da nazione a nazione.

MANUTENZIONE

⚠ATTENZIONE: Accertarsi sempre che l'utensile sia spento e scollegato dall'alimentazione elettrica, prima di tentare di eseguire interventi di ispezione o manutenzione.

AVVISO: Non utilizzare mai benzina, benzene, solventi, alcol o altre sostanze simili. In caso contrario, si potrebbero causare scolorimenti, deformazioni o crepe.

Sostituzione delle spazzole in carbonio

- **Fig.25:** 1. Indicatore di limite

Controllare a intervalli regolari le spazzole in carbonio. Sostituirle quando si sono usurate fino all'indicatore di limite. Mantenere sempre le spazzole in carbonio pulite e facili da inserire negli alloggiamenti. Entrambe le spazzole in carbonio vanno sostituite contemporaneamente. Utilizzare solo spazzole in carbonio identiche.

1. Utilizzare un cacciavite per rimuovere i cappucci degli alloggiamenti delle spazzole.
2. Estrarre le spazzole in carbonio consumate, inserire quelle nuove e fissare i cappucci degli alloggiamenti delle spazzole.

- **Fig.26:** 1. Cappuccio dell'alloggiamento della spazzola

ACCESSORI OPZIONALI

⚠ATTENZIONE: Questi accessori o componenti aggiuntivi sono consigliati per l'uso con l'utensile Makita specificato nel presente manuale. L'impiego di altri accessori o componenti aggiuntivi può costituire un rischio di lesioni alle persone. Utilizzare gli accessori o i componenti aggiuntivi solo per il loro scopo prefissato.

Per ottenere ulteriori dettagli relativamente a questi accessori, rivolgersi a un centro di assistenza Makita.

TECHNISCHE GEGEVENS

Model:		LW1400	LW1401
Diameter van schijf		355 mm	
Max. schijfdikte		3 mm	
Gatdiameter		25,4 mm	
Nullasttoerental		3.800 min ⁻¹	
Afmetingen (l x b x h)	Met Europees type veiligheidskap	530 mm x 295 mm x 640 mm	500 mm x 295 mm x 640 mm
	Met andere dan Europees type veiligheidskap	530 mm x 295 mm x 640 mm	500 mm x 290 mm x 620 mm
Nettogewicht	Met Europees type veiligheidskap en onderkap	18,7 kg	18,3 kg
Veiligheidsklasse		□/II	

- In verband met ononderbroken research en ontwikkeling behouden wij ons het recht voor bovenstaande technische gegevens te wijzigen zonder voorafgaande kennisgeving.
- De technische gegevens kunnen van land tot land verschillen.
- Gewicht volgens EPTA-procedure 01/2014
- De vorm en het gewicht verschillen afhankelijk van de technische gegevens die van land tot land verschillen.

Gebruiksdoeleinden

Het gereedschap is bedoeld voor het doorslijpen van ferro-materialen met een geschikte doorslijpschijf. Houdt u zich aan de wetten en regelgeving zoals die in uw land gelden met betrekking tot stof en veiligheid en gezondheid op de werkplek.

Voeding

Het gereedschap mag alleen worden aangesloten op een voeding van dezelfde spanning als aangegeven op het typeplaatje, en kan alleen worden gebruikt op enkelfase-wisselstroom. Het gereedschap is dubbel-geïsoleerd en kan derhalve ook op een niet-geaard stopcontact worden aangesloten.

Voor openbare laagspanningsverdeelsystemen van tussen 220 V en 250 V

Schakelbedieningen van elektrische apparaten veroorzaken spanningsschommelingen. De bediening van dit gereedschap onder ongunstige lichtnetomstandigheden kan een nadelige invloed hebben op de bediening van andere apparaten. Het kan worden aangenomen dat er geen negatieve effecten zullen zijn wanneer de netimpedantie gelijk is aan of minder is dan 0,18 ohm. Het stopcontact dat voor dit gereedschap wordt gebruikt, moet beveiligd zijn door een zekering of een stroomonderbreker met trage afschakelkarakteristieken.

Geluidsniveau

De typische, A-gewogen geluidsniveaus zijn gemeten volgens EN62841-3-10:

Model LW1400

Geluidsdrukniveau (L_{pA}): 102 dB (A)

Geluidsvermogeniveau (L_{WA}): 110 dB (A)
Onzekerheid (K): 3 dB (A)

Model LW1401

Geluidsdrukniveau (L_{pA}): 102 dB (A)
Geluidsvermogeniveau (L_{WA}): 110 dB (A)
Onzekerheid (K): 3 dB (A)

OPMERKING: De opgegeven geluidsemisiewaarde(n) is/zijn gemeten volgens een standaardtestmethode en kan/kunnen worden gebruikt om dit gereedschap te vergelijken met andere gereedschappen.

OPMERKING: De opgegeven geluidsemisiewaarde(n) kan/kunnen ook worden gebruikt voor een beoordeling vooraf van de blootstelling.

⚠WAARSCHUWING: Draag gehoorbescherming.

⚠WAARSCHUWING: De geluidsemisie tijdens het gebruik van het elektrisch gereedschap in de praktijk kan verschillen van de opgegeven waarde(n) afhankelijk van de manier waarop het gereedschap wordt gebruikt, met name van het soort werkstuk waarmee wordt gewerkt.

⚠WAARSCHUWING: Zorg ervoor dat veiligheidsmaatregelen worden getroffen ter bescherming van de gebruiker die zijn gebaseerd op een schatting van de blootstelling onder praktijkomstandigheden (rekening houdend met alle fasen van de bedrijfscyclus, zoals de tijdsduur gedurende welke het gereedschap is uitgeschakeld en stationair draait, naast de ingeschakelde tijdsduur).

Trilling

De totale trillingswaarde (triaxiale vectorsom) zoals vastgesteld volgens EN62841-3-10:

Model LW1400

Trillingsemissie (a_h): 2,5 m/s² of lager

Onzeketheid (K): 1,5 m/s²

Model LW1401

Trillingsemissie (a_h): 2,5 m/s² of lager

Onzeketheid (K): 1,5 m/s²

OPMERKING: De totale trillingswaarde(n) is/zijn gemeten volgens een standaardtestmethode en kan/kunnen worden gebruikt om dit gereedschap te vergelijken met andere gereedschappen.

OPMERKING: De opgegeven totale trillingswaarde(n) kan/kunnen ook worden gebruikt voor een beoordeling vooraf van de blootstelling.

⚠️WAARSCHUWING: De trillingsemissie tijdens het gebruik van het elektrisch gereedschap in de praktijk kan verschillen van de opgegeven waarde(n) afhankelijk van de manier waarop het gereedschap wordt gebruikt, met name van het soort werkstuk waarmee wordt gewerkt.

⚠️WAARSCHUWING: Zorg ervoor dat veiligheidsmaatregelen worden getroffen ter bescherming van de gebruiker die zijn gebaseerd op een schatting van de blootstelling onder praktijkomstandigheden (rekening houdend met alle fasen van de bedrijfscyclus, zoals de tijdsduur gedurende welke het gereedschap is uitgeschakeld en stationair draait, naast de ingeschakelde tijdsduur).

Verklaringen van conformiteit

Alleen voor Europese landen

De verklaringen van conformiteit zijn bijgevoegd in Bijlage A bij deze gebruiksaanwijzing.

Algemene veiligheidswaarschuwingen voor elektrisch gereedschap

⚠️WAARSCHUWING Lees alle veiligheidswaarschuwingen, instructies, afbeeldingen en technische gegevens die bij dit elektrisch gereedschap worden geleverd. Als niet alle onderstaande instructies worden opgevolgd, kan dat leiden tot een elektrische schok, brand en/of ernstig letsel.

Bewaar alle waarschuwingen en instructies om in de toekomst te kunnen raadplegen.

De term "elektrisch gereedschap" in de veiligheidsvoorschriften duidt op gereedschappen die op stroom van het lichtnet werken (met snoer) of gereedschappen met een accu (snoerloos).

Veiligheidswaarschuwingen voor doorslijpgereedschappen

1. **Zorg ervoor dat u en omstanders niet in het rotatievlak van de schijf staan.** De beschermkap helpt de gebruiker te beschermen tegen afgebroken stukjes van de schijf, het per ongeluk aanraken van de schijf.

- Gebruik uitsluitend gelijmde, versterkte doorslijpschijven voor uw elektrisch gereedschap.** Ook wanneer een accessoire kan worden bevestigd op uw elektrisch gereedschap, is een veilige werking niet gegarandeerd.
- Het nominaal toerental van het accessoire moet minstens gelijk zijn aan het maximumtoerental vermeld op het elektrisch gereedschap.** Accessoires die met een hoger toerental draaien dan hun nominaal toerental kunnen stuk breken en in het rond vliegen.
- De schijven mogen uitsluitend worden gebruikt voor de aanbevolen toepassingen.** Bijvoorbeeld: u mag niet slijpen met de zijkant van een doorslijpschijf. Doorslijpschijven zijn bedoeld voor slijpen met de rand. Krachten op het zijoppervlak kunnen deze schijven doen breken.
- Gebruik altijd onbeschadigde schijven van de juiste diameter voor de te gebruiken schijf.** Een goede schijfflens ondersteunt de schijf en verkleint daarmee de kans op het breken van de schijf.
- De buitendiameter en de dikte van het accessoire moet binnen het capaciteitsbereik van het elektrisch gereedschap vallen.** Accessoires met verkeerde afmetingen kunnen niet afdoende worden afgeschermd of beheerst.
- De asdiameter van schijven en flenzen moeten goed passen rond de as van het elektrisch gereedschap.** Schijven en flenzen met een asdiameter die niet overeenkomt met de bevestigingshardware voor het elektrisch gereedschap zullen niet in balans draaien, buitensporig trillen en kunnen tot verlies van controle over het gereedschap leiden.
- Gebruik nooit beschadigde schijven.** Inspecteer vóór elk gebruik de schijf op ontbrekende schijfers en barsten. Nadat het elektrisch gereedschap of de schijf is gevalen, inspecteert u het op schade of monteert u een onbeschadigde schijf. Na inspectie en montage van de schijf, zorgt u ervoor dat u en omstanders niet in het rotatievlak van de schijf staan, en laat u het elektrisch gereedschap draaien op het maximaal nullasttoerental gedurende één minuut. Beschadigde schijven breken normaal gesproken in stukken gedurende deze testduur.
- Gebruik persoonlijke-beschermingsmiddelen.** Afhankelijk van de toepassing dient u een spatscherm, beschermende bril of veiligheidsbril te dragen. Al naar gelang van toepassing draagt u een stofmasker, gehoorbeschermers, handschoenen en een werkschort die in staat zijn kleine stukjes slijpsel of werkstukfragmenten te weerstaan. De oogbescherming moet in staat zijn rondvliegend afval te stoppen dat ontstaat bij de diverse werkzaamheden. Het stofmasker of ademhalingsapparaat moet in staat zijn deeltjes te filteren die ontstaan bij de werkzaamheden. Langdurige blootstelling aan zeer intens geluid kan leiden tot gehoorbeschadiging.
- Houd omstanders op veilige afstand van het werkgebied.** Iedereen die zich binnen het werkgebied begeeft, moet persoonlijke-beschermingsmiddelen gebruiken. Fragmenten

van het werkstuk of van een uiteengevallen schijf kunnen rondvliegen en letsel veroorzaken buiten de onmiddellijke werkomgeving.

11. **Zorg dat het snoer uit de buurt blijft van het draaiend werktuig.** Als u de controle verliest over het gereedschap, kan het snoer worden doorgesneden of bekneld raken, en kan uw hand of arm tegen de ronddraaiende schijf worden aangetrokken.
12. **Maak de ventilatieopeningen van het gereedschap regelmatig schoon.** De ventilator van de motor kan het stof de behuizing in trekken, en een grote opeenhoping van metaalslijpsel kan leiden tot elektrisch gevaarlijke situaties.
13. **Gebruik het elektrisch gereedschap niet in de buurt van licht ontvlambare materialen. Bedien het elektrisch gereedschap niet terwijl het op een brandbaar materiaal ligt, zoals hout.** Vonken kunnen deze materialen doen ontvlammen.
14. **Gebruik geen accessoires die met vloeistof moeten worden gekoeld.** Het gebruik van water of andere vloeibare koelmiddelen kan leiden tot elektrocutie of elektrische schokken.

Terugslag en aanverwante waarschuwingen

Terugslag is een plotselinge reactie op een beknelde of vastgelopen draaiende schijf. Beknellen of vastlopen veroorzaakt een snelle stilstand van de draaiende schijf dat op zijn beurt ertoe leidt dat de doorslijpbaarheid omhoog in de richting van de gebruiker wordt gedwongen.

Bijvoorbeeld, als een slijpschijf bekneld raakt of vastloopt in het werkstuk, kan de rand van de schijf die het beknellingspunt ingaat, zich invreten in het oppervlak van het materiaal waardoor de schijf eruit klimt of eruit slaat. Slijpschijven kunnen in dergelijke situaties ook breken.

Terugslag is het gevolg van misbruik van het elektrisch gereedschap en/of onjuiste gebruiksprocedures of -omstandigheden, en kan worden voorkomen door goede voorzorgsmaatregelen te treffen, zoals hieronder vermeld.

1. **Houd het elektrisch gereedschap stevig vast en houd uw armen en lichaam zodanig dat u in staat bent een terugslag op te vangen.** Als gebruiker kunt u terugslagkrachten omhoog de baas blijven, mits u de juiste voorzorgsmaatregel treft.
2. **Plaats uw lichaam niet in één lijn met de ronddraaiende schijf.** Als terugslag optreedt, zal de doorslijpbaarheid omhoog in de richting van de gebruiker worden geworpen.
3. **Bevestig geen zaagketting, houtbewerkingsblad, gesegmenteerde diamantschijf met inkepingen in de omtrek die groter zijn dan 10 mm, of een getand zaagblad.** Dergelijke bladen leiden vaak tot terugslag of verlies van controle over het gereedschap.
4. **Laat de schijf niet vastlopen en oefen geen buitensporige druk uit. Probeer niet een buitensporig diepe snede te slijpen.** Een te grote kracht op de schijf verhoogt de belasting en de kans dat de schijf in de snede verdraait of vastloopt, waardoor terugslag kan optreden of de schijf kan breken.

5. **Wanneer de schijf vastloopt of u het snijden onderbreekt, schakelt u het elektrisch gereedschap uit en houdt u de doorslijpbaarheid stil totdat de schijf volledig tot stilstand is gekomen. Probeer nooit de schijf uit de snede te halen terwijl de schijf nog draait omdat hierdoor een terugslag kan optreden.** Onderzoek waarom de schijf is vastgelopen en tref afdoende maatregelen om de oorzaak ervan op te heffen.
6. **Begin niet met doorslijpen terwijl de schijf al in het werkstuk steekt. Wacht totdat de schijf op volle snelheid draait en breng daarna de schijf voorzichtig terug in de snede.** Wanneer het elektrisch gereedschap opnieuw wordt gestart terwijl de schijf al in het werkstuk steekt, kan de schijf vastlopen, omhoog lopen of terugslaan.
7. **Ondersteun een groot werkstuk om de kans op het beknellen van de schijf en terugslag te minimaliseren.** Grote werkstukken neigen door te zakken onder hun eigen gewicht. U moet het werkstuk ondersteunen vlakbij de snijlijn en vlakbij de rand van het werkstuk aan beide kanten van de schijf.

Aanvullende veiligheids waarschuwingen

1. **Pas gedurende de werking op voor rondvliegende vonken.** Deze kunnen letsel veroorzaken of ontvlambaar materiaal doen ontbranden.
2. **Zet het werkstuk vast. Gebruik klemmen of een bankschroef om het werkstuk vast te zetten, indien dit praktisch is.** Dit is veiliger dan met uw hand en zo heeft u beide handen vrij om het gereedschap vast te houden.
3. **Zet de doorslijpschijf zorgvuldig vast.**
4. **Zorg ervoor dat u de as, de flenzen (vooral hun montagevlak) of de bout niet beschadigt, aangezien de doorslijpschijf zelf dan kan breken.**
5. **Houd de beschermingen op hun plaats en in goede staat.**
6. **Houd de handgreep stevig vast.**
7. **Houd uw handen uit de buurt van draaiende onderdelen.**
8. **Zorg ervoor dat de doorslijpschijf het werkstuk niet raakt alvorens het gereedschap in te schakelen.**
9. **Controleer vóór elk gebruik op wiebelen of overmatige trillingen die door een verkeerd aangebrachte of slecht gebalanceerde schijf kunnen worden veroorzaakt.**
10. **Verwijder ontvlambaar materiaal of brokstukken uit de werkomgeving. Zorg ervoor dat niemand zich in de vonkenregen bevindt. Houd een in goede staat verkerend brandblusapparaat gereed dicht bij de werkomgeving.**
11. **Wanneer tijdens de werkzaamheid de doorslijpschijf plotseling stopt, vreemde geluiden maakt of begint te trillen, schakel dan het gereedschap onmiddellijk uit.**
12. **Schakel het gereedschap altijd uit en wacht totdat de doorslijpschijf volledig tot stilstand is gekomen, alvorens het werkstuk te verwijderen of vast te zetten, de bankschroef te bedienen, de werkpositie of de hoek te veranderen, of de doorslijpschijf te vervangen.**
13. **Raak het werkstuk niet aan onmiddellijk na het**

werken, aangezien het dan gloeiend heet is en brandwonden kan veroorzaken.

14. Berg de schijven uitsluitend op een droge plaats op.

BEWAAR DEZE INSTRUCTIES.

OPSTELLEN

WAARSCHUWING: Dit gereedschap produceert vonken tijdens het doorsnijden van een werkstuk. Stel dit gereedschap niet op een plaats op waar brandbare en/of explosieve materialen kunnen worden ontstoken door een vonk vanaf het gereedschap. Zorg er tevens voor dat dergelijk materiaal zich niet in de buurt van het gereedschap bevindt voordat u met de werkzaamheden begint.

Het voetstuk bevestigen

Dit gereedschap moet met twee bouten in de boutgaten van het voetstuk worden bevestigd op een horizontale en stabiele ondergrond. Dit helpt voorkomen dat het gereedschap kantelt of omvalt met kans op persoonlijk letsel.

- Fig.1: 1. Boutgaten 2. Voetstuk

BESCHRIJVING VAN DE FUNCTIES

LET OP: Controleer altijd of het gereedschap is uitgeschakeld en de stekker ervan uit het stopcontact is verwijderd alvorens de functies op het gereedschap te controleren of af te stellen.

De gereedschapskop vergrendelen/ontgrendelen

De gereedschapskop kan worden vergrendeld. Vergrendel altijd de gereedschapskop wanneer het gereedschap niet in gebruik is of wordt getransporteerd.

Voor LW1400

Om te ontgrendelen, duwt u de gereedschapskop iets omlaag en drukt u tegen de vergrendelpen. Om te vergrendelen, houdt u de gereedschapskop omlaag geduwd en drukt u de vergrendelpen terug.

- Fig.2: 1. Vergrendelpen

Voor LW1401

Maak de vergrendelketting los van de haak. Maak de vergrendelketting altijd vast aan de haak wanneer het gereedschap niet wordt gebruikt.

- Fig.3: 1. Haak 2. Vergrendelketting

De trekkerschakelaar gebruiken

WAARSCHUWING: Controleer altijd, voordat u de stekker in het stopcontact steekt, of de trekkerschakelaar op de juiste manier schakelt en weer terugkeert naar de uit-stand nadat deze is losgelaten.

- Fig.4: 1. Vergrendelknop / uit-vergrendelknop
2. Trekkerschakelaar

Voor een gereedschap met een vergrendelknop

Om het gereedschap te starten, knijpt u gewoon de trekkerschakelaar in. Laat de trekkerschakelaar los om het gereedschap te stoppen. Om het gereedschap continu te laten werken, knijpt u de trekkerschakelaar in, drukt u de vergrendelknop in en laat u daarna de trekkerschakelaar los. Om een gereedschap dat continu werkt te stoppen, knijpt u de trekkerschakelaar helemaal in en laat u hem daarna los.

LET OP: De schakelaar kan in de aan-stand vergrendeld worden, hetgeen bij langdurig gebruik comfortabeler werkt. Wees extra voorzichtig wanneer u de schakelaar in de aan-stand vergrendelt en houd het gereedschap altijd stevig vast.

Voor een gereedschap met een uit-vergrendelknop

Om te voorkomen dat de trekkerschakelaar per ongeluk wordt ingeknepen, is een uit-vergrendelknop aangebracht. Om het gereedschap te starten, drukt u de uit-vergrendelknop in en knijpt u de trekkerschakelaar in. Laat de trekkerschakelaar los om het gereedschap te stoppen.

WAARSCHUWING: U mag NOOIT de uit-vergrendelknop buiten werking stellen door hem met tape vast te zetten of iets dergelijks. Een schakelaar met een buiten werking gestelde uit-vergrendelknop, kan leiden tot onbedoeld inschakelen en ernstig persoonlijk letsel.

WAARSCHUWING: Gebruik het gereedschap NOOIT als het start door alleen maar de trekkerschakelaar in te knijpen zonder de uit-vergrendelknop in te drukken. Een schakelaar die moet worden gerepareerd, kan leiden tot onbedoeld inschakelen en ernstig persoonlijk letsel. Stuur het gereedschap op naar een Makita-servicecentrum voor reparatie ZONDER het verder te gebruiken.

KENNISGEVING: Druk de trekkerschakelaar niet hard in zonder dat de uit-vergrendelknop is ingedrukt. Hierdoor kan de schakelaar kapot gaan.

Ruimte tussen de bankschroef en de geleideplaat

LET OP: Na het afstellen van de ruimte tussen de bankschroef en de geleideplaat, zorgt u ervoor dat de geleideplaat goed wordt vastgezet. Door onvoldoende vastzetten kan persoonlijk letsel ontstaan.

De volgende tussenruimte-instellingen van de bankschroef zijn mogelijk:

- 0 - 170 mm (originele instelling)
- 35 - 205 mm
- 70 - 240 mm

Als voor uw werk verschillende instellingen nodig zijn, gaat u als volgt te werk om de afstand of tussenruimte in te stellen.

Voor LW1400

Draai de schroef op de geleideplaat los. Stel de geleideplaat in op de gewenste stand en draai daarna de schroef vast.

► **Fig.5:** 1. Schroef 2. Geleideplaat

Voor LW1401

Verwijder de twee zeskantbouten met behulp van de dopsleutel. Zet de geleideplaat in de gewenste stand en zet hem vast met de zeskantbouten.

► **Fig.6:** 1. Geleideplaat 2. Zeskantbouten

De doorslijphoek instellen

⚠ LET OP: Na het afstellen van de hoek van de geleideplaat, zorgt u ervoor dat de geleideplaat goed wordt vastgezet. Door onvoldoende vastzetten kan persoonlijk letsel ontstaan.

⚠ LET OP: Bedien het gereedschap niet wanneer het werkstuk niet stevig in de bankschroef is vastgezet vanwege de doorslijphoek.

Voor LW1400

Draai de hendel linksom. Stel de geleideplaat in onder de gewenste hoek en draai de hendel helemaal vast.

► **Fig.7:** 1. Geleideplaat 2. Hendel

Voor LW1401

KENNISGEVING: Voor het maken van een rechter verstekzaagsnede, zet u de geleideplaat altijd in de stand 0 - 170 mm. Als u hen in de stand 35 - 205 mm of de stand 70 - 240 mm zet, wordt de beweging van de aanslagplaat gehinderd, waardoor de snede mislukt.

Draai de twee zeskantbouten los met behulp van de dopsleutel. Zet de geleideplaat in de gewenste stand en zet hem vast met de zeskantbouten. Wees voorzichtig niet de ingestelde hoek te veranderen tijdens het vastzetten met de zeskantbouten.

► **Fig.8:** 1. Geleideplaat 2. Zeskantbouten

OPMERKING: De schaalverdeling op de geleideplaat biedt slechts een grove richtlijn. Voor een nauwkeurigere hoekinstelling gebruikt u een gradenboog of een geodriehoek. Zorg dat de handgreep omlaag staat, zodat de doorslijpschijf tot in het voetstuk steekt. Verstel tegelijkertijd de hoek tussen de geleideplaat en de doorslijpschijf met een gradenboog of een geodriehoek.

Het vonkscherm afstellen

Alleen voor LW1401 (afhankelijk van het land)

► **Fig.9:** 1. Schroef 2. Vonkscherm

Het vonkscherm is in de fabriek gemonteerd met de onderste rand tegen het voetstuk aan. Als u het

gereedschap in die stand gebruikt, zullen er veel vonken in het rond vliegen. Draai de schroef los en verstel het vonkscherm zodanig dat er zo min mogelijk vonken in het rond vliegen.

Aanslagplaat

Alleen voor LW1401 (afhankelijk van het land)

► **Fig.10:** 1. Aanslagplaat

De aanslagplaat voorkomt dat de doorslijpschijf de werkbank of vloer kan raken. Nadat een nieuwe doorslijpschijf is aangebracht, zet u de aanslagplaat in stand (A). Wanneer de doorslijpschijf zo ver is afgesleten dat het onderste deel van het werkstuk niet meer wordt doorgeslepen, zet u de aanslagplaat in stand (B) zodat dieper kan worden doorgeslepen met een afgesleten schijf.

MONTAGE

⚠ LET OP: Zorg altijd dat het gereedschap is uitgeschakeld en dat zijn stekker uit het stop-contact is verwijderd alvorens enig werk aan het gereedschap uit te voeren.

De middenkap-type veiligheidskap openen

Afhankelijk van het land

Bij een gereedschap uitgerust met een de middenkap-type veiligheidskap, draait u eerst de klemschroef los en brengt u daarna de veiligheidskap omhoog.

► **Fig.11:** 1. Klemschroef

De Europees type veiligheidskap openen

Afhankelijk van het land

Bij een gereedschap uitgerust met een Europees type veiligheidskap, draait u eerst de klemschroef los en opent u daarna de veiligheidskap zoals afgebeeld.

► **Fig.12:** 1. Klemschroef

► **Fig.13**

► **Fig.14**

De doorslijpschijf aanbrengen en verwijderen

⚠ LET OP: Draai de handdraaiknop of zeskantbout altijd stevig vast. Door onvoldoende vastdraaien kan ernstig letsel ontstaan. Gebruik voor het vastdraaien van de zeskantbout de dopseutel die bij het gereedschap is geleverd om zeker te zijn van stevig aandraaien.

⚠ LET OP: Gebruik altijd alleen de juiste binnen- en buitenflenzen die bij het gereedschap zijn geleverd.

⚠ LET OP: Breng na het vervangen van de schijf altijd de veiligheidskap weer omlaag.

⚠ LET OP: Draag beschermende handschoenen wanneer u de schijf hanteert.

- **Fig.15:** 1. Binnenflens 2. Ring 3. O-ring
4. Doorslijpschijf 5. Buitenflens
6. Handdraaiknop / Zeskantbout

Voor LW1400

Breng de veiligheidskap omhoog. Houd de asvergrendeling ingedrukt en draai de handdraaiknop linksom. Verwijder vervolgens de handdraaiknop, de buitenflens en de doorslijpschijf. Verwijder bij het verwijderen van de doorslijpschijf niet de binnenflens en ook niet de ring en O-ring.

- **Fig.16:** 1. Asvergrendeling 2. Handdraaiknop

Voor het aanbrengen van de doorslijpschijf volgt u de verwijderingsprocedure in omgekeerde volgorde. Zorg ervoor dat het gat van de doorslijpschijf past in de ring en breng de veiligheidskap omlaag.

Voor LW1401

Breng de veiligheidskap omhoog. Houd de asvergrendeling ingedrukt en draai de zeskantbout linksom met een dopseutel. Verwijder vervolgens de zeskantbout, de buitenflens en de schijf.

- **Fig.17:** 1. Asvergrendeling 2. Zeskantbout

Voor het aanbrengen van de schijf volgt u de verwijderingsprocedure in omgekeerde volgorde. Zorg ervoor dat het gat van de doorslijpschijf past in de ring en breng de veiligheidskap omlaag.

BEDIENING

⚠ LET OP: De juiste druk op de handgreep tijdens het snijden en de maximale efficiëntie van het doorslijpen kan worden afgelezen aan de hoeveelheid vonken die wordt geproduceerd tijdens het doorsnijden. Probeer niet om de snede te forceren door buitensporig veel druk op de handgreep uit te oefenen. Dat kan leiden tot een lagere efficiëntie van het doorslijpen, voortijdige slijtage van de schijf, en mogelijke schade aan het gereedschap, de doorslijpschijf of het werkstuk.

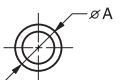
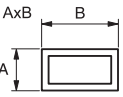
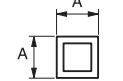

Houd de handgreep stevig vast. Schakel het gereedschap in en wacht tot de doorslijpschijf met maximaal toerental draait, voordat u die voorzichtig in de snede laat zakken. Wanneer de doorslijpschijf het werkstuk

raakt, drukt u geleidelijk de handgreep omlaag om de snede te maken. Wanneer de snede voltooid is, schakelt u het gereedschap uit en wacht totdat de doorslijpschijf volledig tot stilstand is gekomen voordat u de handgreep terugzet in de bovenste stand.

Doorslijpcapaciteit

De maximale doorslijpcapaciteit varieert afhankelijk van de doorslijphoek en de vorm van het werkstuk.

Maximale doorslijpcapaciteit van een gloednieuwe doorslijpschijf

Doorslijphoek/ werkstukvorm	90°	45°
	127 mm	127 mm
	115 x 130 mm 102 x 194 mm 70 x 233 mm	115 x 103 mm
	119 x 119 mm	106 x 106 mm
	137 x 137 x 10 mm	100 x 100 x 10 mm

Het werkstuk vastklemmen

⚠ LET OP: Plaats de schroefdraadhouder altijd op de schroefdraad van de as wanneer u het werkstuk gaat vastklemmen. Als u dit nalaat, kan het werkstuk niet afdoende worden vastgeklemd. In dat geval zou het werkstuk kunnen losspringen of zou de doorslijpschijf kunnen breken, wat zeer gevaarlijk is.

Wanneer de schroefdraadhouder omhoog staat, kan de bankschroefplaat snel naar voren en achteren worden verplaatst. Om uw werkstuk vast te klemmen, duwt u eerst de handgreep naar voren tot de bankschroefplaat tegen het werkstuk komt en sluit u daarna de schroefdraadhouder. Draai de handgreep rechtsom tot het werkstuk goed is vastgezet.

- **Fig.18:** 1. Handgreep 2. Schroefdraadhouder
3. Bankschroefplaat

Wanneer de doorslijpschijf al aanzienlijk afgesleten is, plaatst u een afstandsstuk achter het werkstuk, zoals getoond in de afbeelding. U kunt een versleten schijf efficiënter gebruiken door het middelpunt van de rand van de schijf te gebruiken voor het doorsnijden van uw werkstuk. Gebruik een afstandsstuk van solide, onbrandbaar materiaal.

- **Fig.19:** 1. Afstandsstuk

Om een werkstuk van meer dan 85 mm breed onder een hoek af te snijden, brengt u een recht stuk hout (afstandsstuk) van meer dan 190 mm lang x 45 mm

breed aan op de geleideplaat, zoals getoond in de afbeelding. Bevestig dit afstandsstuk met schroeven door de gaten in de geleideplaat. Zorg ervoor dat de doorslijpschijf het afstandsstuk niet raakt wanneer de gereedschapskop omlaag wordt gebracht.

- **Fig.20:**
1. Geleideplaat
 2. Afstandsstuk (meer dan 190 mm lang x 45 mm breed)
 3. Werkstuk (meer dan 85 mm breed)
 4. Bankschroefplaat

► **Fig.21**

Wanneer de doorslijpschijf is afgesleten, verhoogt u de doorslijppositie door een afstandsstuk dat iets smaller is dan het werkstuk te plaatsen, zoals getoond in de afbeelding. Dit helpt u om de doorslijpschijf economisch te gebruiken.

- **Fig.22:**
1. Bankschroefplaat
 2. Diameter van werkstuk
 3. Geleideplaat
 4. Breedte van afstandsstuk

Een lang werkstuk moet aan beide uiteinden worden ondersteund door steunblokken zodat het werkstuk op gelijke hoogte ligt met de bovenkant van het voetstuk. Gebruik steunblokken van een onbrandbaar materiaal.

- **Fig.23:**
1. Steunblok

Het gereedschap dragen

Klap de gereedschapskop omlaag en vergrendel hem. Draag het gereedschap aan de handgreep.

- **Fig.24**

ONDERHOUD

LET OP: Zorg altijd dat het gereedschap is uitgeschakeld en zijn stekker uit het stopcontact is verwijderd alvorens te beginnen met inspectie of onderhoud.

KENNISGEVING: Gebruik nooit benzine, wasbenzine, thinner, alcohol en dergelijke. Hierdoor kunnen verkleuring, vervormingen en barsten worden veroorzaakt.

De koolborstels vervangen

- **Fig.25:**
1. Slijtgrensmarkering

Controleer regelmatig de koolborstels.

Vervang ze wanneer ze tot aan de slijtgrensmarkering versleten zijn. Houd de koolborstels schoon, zodat ze gemakkelijk in de houders glijden. Beide koolborstels dienen tegelijkertijd te worden vervangen. Gebruik uitsluitend identieke koolborstels.

1. Gebruik een schroevendraaier om de koolborsteldoppen te verwijderen.
2. Haal de versleten koolborstels eruit, schuif de nieuwe erin, en zet daarna de koolborsteldoppen weer goed vast.

- **Fig.26:**
1. Koolborsteldop

OPTIONELE ACCESSOIRES

LET OP: Deze accessoires of hulpstukken worden aanbevolen voor gebruik met het Makita gereedschap dat in deze gebruiksaanwijzing is beschreven. Bij gebruik van andere accessoires of hulpstukken bestaat het gevaar van persoonlijke letsel. Gebruik de accessoires of hulpstukken uitsluitend voor hun bestemde doel.

Wenst u meer bijzonderheden over deze accessoires, neem dan contact op met het plaatselijke Makita-servicecentrum.

- Doorslijpschijven
- Dopsleutel (alleen voor LW1401)

OPMERKING: Sommige items op de lijst kunnen zijn inbegrepen in de doos van het gereedschap als standaard toebehoren. Deze kunnen van land tot land verschillen.

ESPECIFICACIONES

Modelo:		LW1400	LW1401
Diámetro del disco		355 mm	
Grosor máx. de la muela		3 mm	
Diámetro del agujero		25,4 mm	
Velocidad en vacío		3.800 min ⁻¹	
Dimensiones (La x An x Al)	Con protector de seguridad tipo europeo	530 mm x 295 mm x 640 mm	500 mm x 295 mm x 640 mm
	Con protector de seguridad distinto del de tipo europeo	530 mm x 295 mm x 640 mm	500 mm x 290 mm x 620 mm
Peso neto	Con protector de seguridad tipo europeo y cubierta inferior	18,7 kg	18,3 kg
Clase de seguridad		II	

- Debido a nuestro continuado programa de investigación y desarrollo, las especificaciones aquí dadas están sujetas a cambios sin previo aviso.
- Las especificaciones pueden ser diferentes de país a país.
- Peso de acuerdo con el procedimiento EPTA 01/2014
- La forma y el peso varían dependiendo de las especificaciones que difieren de un país a otro.

Uso previsto

La herramienta ha sido prevista para cortar materiales féreos con el disco de corte abrasivo apropiado. Siga todas las leyes y reglamentos en cuanto al polvo y la salubridad y seguridad del área de trabajo de su país.

Alimentación

La herramienta deberá ser conectada solamente a una fuente de alimentación de la misma tensión que la indicada en la placa de características, y solamente puede ser utilizada con alimentación de CA monofásica. La herramienta tiene doble aislamiento y puede, por lo tanto, utilizarse también en tomas de corriente sin conductor de tierra.

Para sistemas de distribución públicos de baja tensión de entre 220 V y 250 V

Las operaciones de encendido y apagado de los aparatos eléctricos ocasionan fluctuaciones de tensión. La operación de este dispositivo en condiciones desfavorables de corriente puede afectar adversamente a la operación de otros equipos. Con una impedancia eléctrica igual o inferior a 0,18 ohmios, se puede asumir que no surgirán efectos negativos. La toma de corriente utilizada para este dispositivo deberá estar protegida con un fusible o disyuntor de protección que tenga unas características de desconexión lenta.

Ruido

El nivel de ruido A-ponderado típico determinado de acuerdo con la norma EN62841-3-10:

Modelo LW1400

Nivel de presión sonora (L_{pA}) : 102 dB (A)

Nivel de potencia sonora (L_{WA}) : 110 dB (A)
Error (K) : 3 dB (A)

Modelo LW1401

Nivel de presión sonora (L_{pA}) : 102 dB (A)
Nivel de potencia sonora (L_{WA}) : 110 dB (A)
Error (K) : 3 dB (A)

NOTA: El valor (o los valores) de emisión de ruido declarado ha sido medido de acuerdo con un método de prueba estándar y se puede utilizar para comparar una herramienta con otra.

NOTA: El valor (o valores) de emisión de ruido declarado también se puede utilizar en una valoración preliminar de exposición.

⚠ ADVERTENCIA: Póngase protectores para oídos.

⚠ ADVERTENCIA: La emisión de ruido durante la utilización real de la herramienta eléctrica puede variar del valor (o los valores) de emisión declarado dependiendo de las formas en las que la herramienta sea utilizada, especialmente qué tipo de pieza de trabajo se procesa.

⚠ ADVERTENCIA: Asegúrese de identificar medidas de seguridad para proteger al operario que estén basadas en una estimación de la exposición en las condiciones reales de utilización (teniendo en cuenta todas las partes del ciclo operativo como las veces cuando la herramienta está apagada y cuando está funcionando en vacío además del tiempo de gatillo).

Vibración

El valor total de la vibración (suma de vectores triaxiales) determinado de acuerdo con la norma EN62841-3-10:

Modelo LW1400

Emisión de vibración (a_{h1}) : 2,5 m/s² o menos

Error (K) : 1,5 m/s²

Modelo LW1401

Emisión de vibración (a_{h1}) : 2,5 m/s² o menos

Error (K) : 1,5 m/s²

NOTA: El valor (o los valores) total de emisión de vibración declarado ha sido medido de acuerdo con un método de prueba estándar y se puede utilizar para comparar una herramienta con otra.

NOTA: El valor (o los valores) total de emisión de vibración declarado también se puede utilizar en una valoración preliminar de exposición.

⚠ADVERTENCIA: La emisión de vibración durante la utilización real de la herramienta eléctrica puede variar del valor (o los valores) de emisión declarado dependiendo de las formas en las que la herramienta sea utilizada, especialmente qué tipo de pieza de trabajo se procesa.

⚠ADVERTENCIA: Asegúrese de identificar medidas de seguridad para proteger al operario que estén basadas en una estimación de la exposición en las condiciones reales de utilización (teniendo en cuenta todas las partes del ciclo operativo como las veces cuando la herramienta está apagada y cuando está funcionando en vacío además del tiempo de gatillo).

Declaraciones de conformidad

Para países europeos solamente

Las declaraciones de conformidad están incluidas como Anexo A de este manual de instrucciones.

Advertencias de seguridad para herramientas eléctricas en general

⚠ADVERTENCIA Lea todas las advertencias de seguridad, instrucciones, ilustraciones y especificaciones provistas con esta herramienta eléctrica. Si no sigue todas las instrucciones indicadas abajo, podrá resultar en una descarga eléctrica, un incendio y/o heridas graves.

Guarde todas las advertencias e instrucciones para futuras referencias.

El término "herramienta eléctrica" en las advertencias se refiere a su herramienta eléctrica de funcionamiento con conexión a la red eléctrica (con cable) o herramienta eléctrica de funcionamiento a batería (sin cable).

Advertencias de seguridad para la máquina de cortar

1. **Colóquese usted y los transeúntes alejados del plano de giro del disco giratorio.** El protector de disco ayuda a proteger al operario de fragmentos de disco roto y de un contacto accidental con el disco.
2. **Utilice solamente discos de corte reforzados**

aglomerados para su herramienta eléctrica.

Solamente porque un accesorio pueda ser instalado en su herramienta eléctrica, no quiere decir que su operación sea segura.

3. **La velocidad especificada del accesorio deberá ser al menos igual que la velocidad máxima marcada en la herramienta eléctrica.** Si los accesorios se utilizan a una velocidad más alta que la velocidad especificada pueden romperse y salir despedidos.
4. **Los discos deberán ser utilizados solamente para aplicaciones recomendadas. Por ejemplo: no amole con el costado de un disco de corte.** Los discos de corte abrasivos han sido previstos para amolado periférico, y estos discos podrán desintegrarse si se les aplican fuerzas laterales.
5. **Utilice siempre bridas de disco no dañadas que sean del tamaño correcto para el disco que ha seleccionado.** Las bridas de disco correctas sujetan los discos de tal manera que reducen la posibilidad de que el disco se rompa.
6. **El diámetro exterior y el espesor de su accesorio deberán estar dentro de la capacidad nominal de su herramienta eléctrica.** Los accesorios de tamaño incorrecto no se pueden proteger ni controlar adecuadamente.
7. **El tamaño del agujero para eje de los discos y bridas deberá encajar debidamente en el eje de la herramienta eléctrica.** Los discos y bridas con agujero para eje que no coincida con el eje de montaje de la herramienta eléctrica se desequilibrarán, vibrarán excesivamente y podrán ocasionar una pérdida de control.
8. **No utilice discos dañados. Antes de cada utilización, inspeccione los discos para ver si están mellados o agrietados. Si deja caer la herramienta eléctrica o el disco, inspecciónelo por si está dañado o instale un disco que no esté dañado.** Después de inspeccionar e instalar un disco, póngase usted y los transeúntes alejados del plano del disco giratorio y haga funcionar la herramienta a velocidad máxima en vacío durante un minuto. Normalmente, los discos dañados se romperán durante este tiempo de prueba.
9. **Póngase equipo de protección personal. En función de la aplicación, utilice pantalla facial, gafas de protección o gafas de seguridad. Según corresponda, póngase mascarilla contra el polvo, protectores auditivos, guantes y delantal de taller que pueda detener los pequeños fragmentos abrasivos o de pieza de trabajo que salgan despedidos.** La protección de los ojos deberá ser capaz de detener los restos que salen volando generados en las diferentes operaciones. La mascarilla contra el polvo o respirador deberá ser capaz de filtrar las partículas generadas en su operación. La exposición prolongada a ruido de alta intensidad podrá ocasionar pérdida auditiva.
10. **Mantenga a los transeúntes a una distancia segura alejados del área de trabajo. Cualquier persona que entre en el área de trabajo deberá utilizar equipo de protección personal.** Los fragmentos de la pieza de trabajo o de un disco roto pueden salir volando y ocasionar heridas más

allá del área de operación inmediata.

11. **Posicione el cable alejado del accesorio giratorio.** Si pierde el control, el cable podrá ser cortado o enredarse y tirar de su mano o brazo hacia el disco giratorio.
12. **Limpie regularmente los orificios de ventilación de la herramienta eléctrica.** El ventilador del motor atrae el polvo al interior de la carcasa y una acumulación excesiva del polvo metálico puede ocasionar riesgos eléctricos.
13. **No utilice la herramienta eléctrica cerca de materiales inflamables. No utilice la herramienta eléctrica mientras la tiene colocada sobre una superficie combustible tal como de madera.** Las chispas pueden prender estos materiales.
14. **No utilice accesorios que requieran refrigerantes líquidos.** La utilización de agua u otros refrigerantes líquidos puede resultar en electrocución o descarga eléctrica.

Retocesos bruscos y advertencias relacionadas

El retroceso brusco es la reacción repentina al aprisionamiento o estancamiento de un disco giratorio. El aprisionamiento o estancamiento ocasiona un detenimiento rápido del disco giratorio que a su vez hace que la unidad de corte descontrolada sea forzada hacia arriba en dirección al operario.

Por ejemplo, si el disco abrasivo queda aprisionado o estancado por la pieza de trabajo, el borde del disco que está entrando en el punto de estancamiento puede hincarse en la superficie del material haciendo que el disco se salga de la hendidura o salte. Los discos abrasivos también podrán romperse en estas condiciones. Los retrocesos bruscos se deben a un mal uso de la herramienta eléctrica y/o a procedimientos o condiciones de trabajo incorrectos y pueden evitarse tomando las precauciones indicadas a continuación.

1. **Mantenga la herramienta eléctrica empuñada firmemente y posicione su cuerpo y brazo de forma que pueda resistir las fuerzas del retroceso brusco.** El operario puede controlar las fuerzas de retroceso brusco hacia arriba, si toma las precauciones apropiadas.
2. **No ponga su cuerpo en línea con el disco giratorio.** Si se producen retrocesos bruscos, estos propulsarán la unidad de corte hacia arriba en dirección al operario.
3. **No coloque una cadena de sierra, un disco de tallar madera o un disco de diamante segmentado con una holgura periférica mayor de 10 mm ni un disco de sierra dentado.** Tales discos crean retrocesos bruscos y pérdida de control frecuentes.
4. **No “atasque” el disco ni ejerza presión excesiva. No intente hacer un corte de excesiva profundidad.** Si fatiga en exceso el disco, aumentará la carga y la susceptibilidad de retorcerse o estancarse en el corte y existirá la posibilidad de que se produzca un retroceso brusco o la rotura del disco.
5. **Cuando el disco esté estancándose o cuando quiera interrumpir un corte por cualquier razón, apague la herramienta eléctrica y sujete la unidad de corte sin moverla hasta que el disco se haya detenido completamente. No**

intente nunca sacar el disco del corte estando el disco moviéndose porque podrá producirse un retroceso brusco. Investigue y tome medidas correctivas para eliminar la causa del estancamiento del disco.

6. **No reinicie la operación de corte en la pieza de trabajo. Deje que el disco alcance plena velocidad y vuelva a entrar en el corte cuidadosamente.** Si vuelve a poner en marcha la herramienta eléctrica en la pieza de trabajo, el disco podrá estancarse, saltar o retroceder bruscamente.
7. **Sujete cualquier pieza de trabajo demasiado grande para minimizar el riesgo de que el disco se estanque o retroceda bruscamente.** Las piezas de trabajo grandes tienden a combarse con su propio peso. Deberá poner apoyos debajo de la pieza de trabajo cerca de la línea de corte y cerca del borde de la pieza de trabajo en ambos lados del disco.

Advertencias de seguridad adicionales

1. **Tenga cuidado con las chispas que saltan durante la operación.** Éstas pueden causar heridas o prender fuego a materiales combustibles.
2. **Sujete la pieza de trabajo. Utilice mordazas o un tornillo de banco para sujetar la pieza de trabajo cuando sea práctico hacerlo.** Es más seguro que utilizar su mano y le deja libre ambas manos para operar la herramienta.
3. **Sujete el disco de corte con cuidado.**
4. **Tenga cuidado de no dañar el eje, las bridas (especialmente la superficie de instalación) o el perno, o el propio disco de corte podrá romperse.**
5. **Mantenga los protectores en su lugar y en estado de funcionamiento.**
6. **Sujete el mango firmemente.**
7. **Mantenga las manos apartadas de las partes giratorias.**
8. **Asegúrese de que el disco de corte no está haciendo contacto con la pieza de trabajo antes de activar el interruptor.**
9. **Antes de cada utilización, observe por si hay ondulación o vibración excesiva que pueda ser causada por una mala instalación o un disco mal equilibrado.**
10. **Retire del área el material o desechos que puedan prender fuego con las chispas. Asegúrese de que no hay nadie en la trayectoria de las chispas. Mantenga a mano un extintor de incendios apropiado cargado.**
11. **Si el disco de corte se para durante la operación, hace un ruido extraño o empieza a vibrar, apague la herramienta inmediatamente.**
12. **Siempre apague y espere hasta que el disco de corte se pare completamente antes de retirar o sujetar la pieza de trabajo, la mordaza de trabajo, cambiar la posición de trabajo, el ángulo o el propio disco de corte.**
13. **No toque la pieza de trabajo inmediatamente después de la operación; estará muy caliente y podrá quemarle la piel.**
14. **Guarde los discos en un lugar seco solamente.**

GUARDE ESTAS INSTRUCCIONES.

INSTALACIÓN

⚠ADVERTENCIA: Esta herramienta produce chispas cuando corta una pieza de trabajo. No instale esta herramienta en un lugar en el que los materiales inflamables y/o explosivos puedan prender fuego con las chispas producidas por la herramienta. Asegúrese también de que no hay cerca de la herramienta tal material antes de comenzar la operación.

Sujeción de la base

Esta herramienta se deberá fijar con dos pernos en una superficie nivelada y estable utilizando los agujeros para pernos provistos en la base de la herramienta. Esto ayudará a evitar que se vuelque y pueda ocasionar heridas personales.

► Fig.1: 1. Agujeros para pernos 2. Base

DESCRIPCIÓN DEL FUNCIONAMIENTO

⚠PRECAUCIÓN: Asegúrese siempre de que la herramienta está apagada y desenchufada antes de intentar realizar cualquier tipo de ajuste o comprobación en ella.

Desbloqueo/bloqueo del cabezal de la herramienta

El cabezal de la herramienta se puede bloquear. Bloquee siempre el cabezal de la herramienta cuando no la esté utilizando o la transporte.

Para LW1400

Para desbloquear, baje ligeramente el cabezal de la herramienta y empuje el pasador de bloqueo. Para bloquear, retorne el pasador de bloqueo mientras mantiene bajado el cabezal de la herramienta.

► Fig.2: 1. Pasador de bloqueo

Para LW1401

Desenganche la cadena de bloqueo del gancho. Enganche siempre la cadena de bloqueo en el gancho cuando no esté utilizando la herramienta.

► Fig.3: 1. Gancho 2. Cadena de bloqueo

Accionamiento del interruptor

⚠ADVERTENCIA: Antes de enchufar la herramienta, compruebe siempre para cerciorarse de que el gatillo interruptor se acciona debidamente y que vuelve a la posición "OFF" cuando lo suelta.

► Fig.4: 1. Botón de bloqueo / botón de desbloqueo
2. Gatillo interruptor

Para herramienta con botón de bloqueo

Para poner en marcha la herramienta, simplemente apriete el gatillo interruptor. Suelte el gatillo interruptor para parar. Para una operación continua, apriete el gatillo interruptor, empuje hacia dentro el botón de bloqueo y después suelte el gatillo interruptor. Para parar la herramienta estando en la posición bloqueada, apriete el gatillo completamente, después suéltelo.

⚠PRECAUCIÓN: El interruptor puede ser bloqueado en la posición "Encendida" para mayor comodidad del operario durante una utilización prolongada. Tenga precaución cuando bloquee la herramienta en la posición "Encendida" y mantenga la herramienta firmemente empuñada.

Para herramienta con botón de desbloqueo

Para evitar que el gatillo interruptor pueda accionarse accidentalmente, se ha provisto un botón de desbloqueo. Para poner en marcha la herramienta, presione el botón de desbloqueo y apriete el gatillo interruptor. Suelte el gatillo interruptor para parar.

⚠ADVERTENCIA: No anule NUNCA la función del botón de desbloqueo sujetándolo con cinta adhesiva o alguna otra manera. Un interruptor con un botón de desbloqueo anulado puede resultar en una puesta en marcha involuntaria y a heridas personales graves.

⚠ADVERTENCIA: No utilice NUNCA la herramienta si se pone en marcha cuando usted simplemente aprieta el gatillo interruptor sin presionar el botón de desbloqueo. Un interruptor con necesidad de reparación puede resultar en una puesta en marcha involuntaria y a heridas personales graves. Lleve la herramienta a un centro de servicio Makita para que le hagan las reparaciones apropiadas ANTES de seguir utilizándola.

AVISO: No apriete con fuerza el gatillo interruptor sin presionar hacia dentro el botón de desbloqueo. Podría romper el interruptor.

Intervalo entre la mordaza y la placa guía

⚠PRECAUCIÓN: Después de ajustar el intervalo entre la mordaza y la placa guía, asegúrese de que la placa guía está sujeta debidamente. Una fijación insuficiente puede resultar en heridas personales.

Hay disponibles los ajustes de intervalo siguientes para la mordaza:

- 0 - 170 mm (ajuste original)
- 35 - 205 mm
- 70 - 240 mm

Si su tarea requiere un ajuste diferente, proceda de la forma siguiente para cambiar el espaciamiento o intervalo.

Para LW1400

Afloje el tornillo de la placa guía. Mueva la placa guía hasta la posición deseada y después apriete el tornillo.

► **Fig.5:** 1. Tornillo 2. Placa guía

Para LW1401

Retire los dos pernos hexagonales utilizando una llave de tubo. Mueva la placa guía hasta la posición deseada y sujétala con los pernos hexagonales.

► **Fig.6:** 1. Placa guía 2. Pernos hexagonales

Ajuste del ángulo de corte

⚠PRECAUCIÓN: Después de ajustar el ángulo de la placa guía, asegúrese de que la placa guía está sujeta debidamente. Una fijación insuficiente puede resultar en heridas personales.

⚠PRECAUCIÓN: No utilice la herramienta cuando el material no esté sujeto firmemente con el tornillo de banco debido al ángulo de corte.

Para LW1400

Gire la palanca hacia la izquierda. Mueva la placa guía hasta el ángulo deseado y apriete la palanca completamente.

► **Fig.7:** 1. Placa guía 2. Palanca

Para LW1401

AVISO: Cuando realice corte en inglete derecho, ajuste siempre la placa guía en la posición 0 - 170 mm. El ajuste en la posición de 35 - 205 mm o 70 - 240 mm obstaculiza el movimiento de la placa de retención, que resulta en un corte fallido.

Afloje los dos pernos hexagonales utilizando una llave de tubo. Gire la placa guía hasta el ángulo deseado y sujétala con los pernos hexagonales. Tenga cuidado de no mover el ángulo ajustado mientras sujeta los pernos hexagonales.

► **Fig.8:** 1. Placa guía 2. Pernos hexagonales

NOTA: La escala de la placa guía es solamente una indicación aproximada. Para un ángulo más preciso, utilice un transportador o una escuadra. Mantenga el mango bajado de forma que el disco de corte se prolongue al interior de la base. Al mismo tiempo, ajuste el ángulo entre la placa guía y el disco de corte con un transportador o escuadra.

Ajuste del parachispas

Para LW1401 solamente (específico para cada país)

► **Fig.9:** 1. Tornillo 2. Parachispas

El parachispas se instala en fábrica con su borde inferior haciendo contacto con la base. Si se utiliza la herramienta en esta posición ocasionará que salten muchas chispas. Afloje el tornillo y ajuste el parachispas en una posición en la que salte el mínimo de chispas.

Placa de retención

Para LW1401 solamente (específico para cada país)

► **Fig.10:** 1. Placa de retención

La placa de retención evita que el disco de corte haga contacto con el banco de trabajo o el suelo. Cuando

instale un disco de corte nuevo, ajuste la placa de retención en la posición (A). Cuando el disco de corte se desgaste en la medida en que la porción inferior de la pieza de trabajo sea dejada sin cortar, ajuste la placa de retención en la posición (B) para permitir una mayor capacidad de corte con un disco desgastado.

MONTAJE

⚠PRECAUCIÓN: Asegúrese siempre de que la herramienta está apagada y desenchufada antes de realizar cualquier trabajo en la herramienta.

Apertura del protector de seguridad tipo cubierta central

Específico para cada país

Para las herramientas con protector de seguridad tipo cubierta central, afloje el tornillo de fijación primero y después suba el protector.

► **Fig.11:** 1. Tornillo de fijación

Apertura del protector de seguridad tipo europeo

Específico para cada país

Para las herramientas con protector de seguridad tipo europeo, afloje el tornillo de fijación primero y después abra el protector como se muestra.

► **Fig.12:** 1. Tornillo de fijación

► **Fig.13**

► **Fig.14**

Desmontaje o instalación del disco de corte

⚠PRECAUCIÓN: Asegúrese de apretar la pinza manual o perno hexagonal firmemente. Un apriete insuficiente puede resultar en heridas graves. Cuando apriete el perno hexagonal, utilice la llave de tubo provista con la herramienta para asegurar un apriete correcto.

⚠PRECAUCIÓN: Utilice siempre únicamente las bridas interior y exterior correctas que se proveen con esta herramienta.

⚠PRECAUCIÓN: Baje siempre la protector de seguridad después de reemplazar el disco.

⚠PRECAUCIÓN: Póngase guantes cuando maneje discos.

► **Fig.15:** 1. Brida interior 2. Anillo 3. Junta tórica 4. Disco de corte 5. Brida exterior 6. Pinza manual / Perno hexagonal

Para LW1400

Suba el protector de seguridad. Gire la pinza manual hacia la izquierda mientras mantiene bajado el bloqueo del eje. Después retire la pinza manual, la brida exterior y el disco de corte. Cuando retire el disco de corte, no

retire la brida interior, así como el anillo y la junta tórica.

► **Fig.16:** 1. Bloqueo del eje 2. Pinza manual

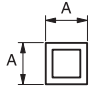

Para instalar el disco de corte, siga los procedimientos de desmontaje a la inversa. Asegúrese de encajar el agujero del disco de corte en el anillo y retornar el protector de seguridad.

Para LW1401

Suba el protector de seguridad. Gire el perno hexagonal hacia la izquierda utilizando una llave de tubo mientras mantiene bajado el bloqueo del eje. Después retire el perno hexagonal, la brida exterior y el disco.

► **Fig.17:** 1. Bloqueo del eje 2. Perno hexagonal

Para instalar el disco, siga los procedimientos de desmontaje a la inversa. Asegúrese de encajar el agujero del disco de corte en el anillo y retornar el protector de seguridad.

Ángulo de corte / Forma de la pieza de trabajo	90°	45°
	119 x 119 mm	106 x 106 mm
	137 x 137 x 10 mm	100 x 100 x 10 mm

Sujeción de la pieza de trabajo

⚠PRECAUCIÓN: Ponga siempre el soporte de rosca en la rosca del eje cuando sujete la pieza de trabajo. En caso contrario podrá resultar en una insuficiente sujeción de la pieza de trabajo. Esto puede ocasionar que la pieza de trabajo salga expulsada o una peligrosa rotura del disco de corte.

Mientras el soporte de rosca está levantado, la placa de mordaza se puede mover hacia dentro y afuera rápidamente. Para sujetar una pieza de trabajo, empuje el mango hasta que la placa de mordaza haga contacto con la pieza de trabajo y después retorne el soporte de rosca. Gire el mango hacia la derecha hasta que la pieza de trabajo esté retenida firmemente.

► **Fig.18:** 1. Mango 2. Soporte de rosca 3. Placa de mordaza

Cuando el disco de corte se haya desgastado considerablemente, ponga un bloque espaciador detrás de la pieza de trabajo como se muestra en la figura. Podrá utilizar más eficazmente el disco desgastado utilizando el punto medio de la periferia del disco para cortar la pieza de trabajo. Utilice un material robusto y no inflamable para el bloque espaciador.

► **Fig.19:** 1. Bloque espaciador

Cuando corte piezas de trabajo de más de 85 mm de ancho en ángulo, coloque una pieza de madera recta (espaciador) de más de 190 mm de largo x 45 mm de ancho en la placa guía como se muestra en la figura. Coloque este espaciador con tornillos a través de los agujeros en la placa guía. Asegúrese de que el disco de corte no hace contacto con el espaciador cuando el cabezal de la herramienta está bajado.

► **Fig.20:** 1. Placa guía 2. Bloque espaciador (más de 190 mm de largo x 45 mm de ancho) 3. Pieza de trabajo (más de 85 mm de ancho) 4. Placa de mordaza

► **Fig.21**

Cuando el disco de corte se haya desgastado, suba la posición de corte poniendo un bloque espaciador que sea ligeramente más estrecho que la pieza de trabajo como se muestra en la figura. Esto le ayudará a utilizar el disco de corte económicamente.

► **Fig.22:** 1. Placa de mordaza 2. Diámetro de la pieza de trabajo 3. Placa guía 4. Anchura del bloque espaciador

Las piezas de trabajo largas deberán ser apoyadas sobre bloques a cada lado de forma que queden a nivel con la parte superior de la base. Utilice un material no

OPERACIÓN

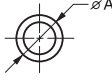
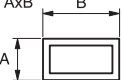
⚠PRECAUCIÓN: La presión apropiada sobre el mango durante el corte y la máxima eficacia de corte se pueden determinar mediante la cantidad de chispas que se producen durante el corte. No fuerce el corte aplicando presión excesiva sobre el mango. Puede resultar en una menor eficacia de corte, desgaste prematuro del disco, así como posibles daños a la herramienta, el disco de corte o la pieza de trabajo.

Sujete el mango firmemente. Encienda la herramienta y espere hasta que el disco de corte haya alcanzado plena velocidad antes de bajar con cuidado hasta el corte. Cuando el disco de corte entre en contacto con la pieza de trabajo, empuje el mango hacia abajo gradualmente para realizar el corte. Cuando haya completado el corte, apague la herramienta y espere hasta que el disco de corte se haya parado completamente antes de retornar el mango a la posición completamente elevada.

Capacidad de corte

La capacidad de corte máxima varía dependiendo del ángulo de corte y la forma de la pieza de trabajo.

Capacidad de corte máxima con un disco de corte completamente nuevo

Ángulo de corte / Forma de la pieza de trabajo	90°	45°
	127 mm	127 mm
	115 x 130 mm 102 x 194 mm 70 x 233 mm	115 x 103 mm

inflamable para los bloques de apoyo.

► **Fig.23:** 1. Bloque de apoyo

Transporte de la herramienta

Pliegue hacia abajo el cabezal de la herramienta y bloquéelo. Sujete por el mango cuando transporte.

► **Fig.24**

MANTENIMIENTO

⚠PRECAUCIÓN: Asegúrese siempre de que la herramienta está apagada y desenchufada antes de intentar realizar la inspección o el mantenimiento.

AVISO: No utilice nunca gasolina, bencina, disolvente, alcohol o similares. Podría producir descoloración, deformación o grietas.

Reemplazo de las escobillas de carbón

► **Fig.25:** 1. Marca de límite

Compruebe las escobillas de carbón regularmente. Reemplácelas cuando se hayan gastado hasta la marca límite. Mantenga las escobillas de carbón limpias de forma que entren libremente en los portaescobillas. Ambas escobillas de carbón deberán ser reemplazada al mismo tiempo. Utilice solamente escobillas de carbón idénticas.

1. Utilice un destornillador para retirar los tapones portaescobillas.
2. Extraiga las escobillas de carbón desgastadas, inserte las nuevas y sujete los tapones portaescobillas.

► **Fig.26:** 1. Tapón portaescobillas

ACCESORIOS OPCIONALES

⚠PRECAUCIÓN: Estos accesorios o aditamentos están recomendados para su uso con la herramienta Makita especificada en este manual.

El uso de cualquier otro accesorio o aditamento puede suponer un riesgo de heridas personales. Utilice el accesorio o aditamento solamente con la finalidad indicada para el mismo.

Si necesita cualquier ayuda para más detalles en relación con estos accesorios, pregunte al centro de servicio Makita local.

- Discos de corte abrasivo
- Llave de tubo (para LW1401 solamente)

NOTA: Algunos elementos de la lista podrán estar incluidos en el paquete de la herramienta como accesorios estándar. Pueden variar de un país a otro.

ESPECIFICAÇÕES

Modelo:		LW1400	LW1401
Diâmetro do disco		355 mm	
Espessura máxima da roda		3 mm	
Diâmetro do orifício		25,4 mm	
Velocidade em vazio		3.800 min ⁻¹	
Dimensões (C x L x A)	Com resguardo de segurança de tipo europeu	530 mm x 295 mm x 640 mm	500 mm x 295 mm x 640 mm
	Com resguardo de segurança diferente do tipo europeu	530 mm x 295 mm x 640 mm	500 mm x 290 mm x 620 mm
Peso líquido	Com resguardo de segurança de tipo europeu e tampa inferior	18,7 kg	18,3 kg
Classe de segurança		II	

- Devido a um programa contínuo de pesquisa e desenvolvimento, estas especificações podem ser alteradas sem aviso prévio.
- As especificações podem variar de país para país.
- Peso de acordo com o Procedimento EPTA 01/2014
- A forma e peso variam dependendo das especificações que diferem de país para país.

Utilização a que se destina

A ferramenta foi concebida para corte de materiais ferrosos com disco de corte abrasivo apropriado. Observe todas as leis e regulamentos do seu país relativos à poeira e à saúde e segurança na área de trabalho.

Alimentação

A ferramenta só deve ser ligada a uma fonte de alimentação com a mesma tensão da indicada na placa de características, e só funciona com alimentação de corrente alterna (CA) monofásica. Tem um sistema de isolamento duplo e pode, por isso, utilizar tomadas sem ligação à terra.

Para sistemas públicos de distribuição de baixa tensão entre 220 V e 250 V

Alternar a operação de aparelhos elétricos pode provocar flutuações de tensão. A operação deste aparelho sob condições de alimentação elétrica desfavoráveis pode ter efeitos adversos na operação de outro equipamento. Com uma impedância de alimentação igual ou inferior a 0,18 Ohms pode-se presumir que não haverá efeitos negativos. A tomada de alimentação utilizada para este aparelho tem de estar protegida com um fusível ou um disjuntor de proteção de circuito com características de disparo lentas.

Ruído

A característica do nível de ruído A determinado de acordo com a EN62841-3-10:

Modelo LW1400

Nível de pressão acústica (L_{pA}): 102 dB (A)

Nível de potência acústica (L_{WA}): 110 dB (A)

Variabilidade (K): 3 dB (A)

Modelo LW1401

Nível de pressão acústica (L_{pA}): 102 dB (A)

Nível de potência acústica (L_{WA}): 110 dB (A)

Variabilidade (K): 3 dB (A)

NOTA: O(s) valor(es) da emissão de ruído indicado(s) foi medido de acordo com um método de teste padrão e pode ser utilizado para comparar duas ferramentas.

NOTA: O(s) valor(es) da emissão de ruído indicado(s) pode também ser utilizado na avaliação preliminar da exposição.

AVISO: Utilize protetores auriculares.

AVISO: A emissão de ruído durante a utilização real da ferramenta elétrica pode diferir do(s) valor(es) indicado(s), dependendo das formas como a ferramenta é utilizada, especialmente o tipo de peça de trabalho que é processada.

AVISO: Certifique-se de identificar as medidas de segurança para proteção do operador que sejam baseadas em uma estimativa de exposição em condições reais de utilização (considerando todas as partes do ciclo de operação, tal como quando a ferramenta está desligada e quando está a funcionar em marcha lenta além do tempo de acionamento).

Vibração

Valor total da vibração (soma vetorial tri-axial) determinado de acordo com a EN62841-3-10:

Modelo LW1400

Emissão de vibração (a_h): 2,5 m/s² ou menos

Variabilidade (K): 1,5 m/s²

Modelo LW1401

Emissão de vibração (a_h): 2,5 m/s² ou menos
Variabilidade (K): 1,5 m/s²

NOTA: O(s) valor(es) total(ais) de vibração indicado(s) foi medido de acordo com um método de teste padrão e pode ser utilizado para comparar duas ferramentas.

NOTA: O(s) valor(es) total(ais) de vibração indicado(s) pode também ser utilizado na avaliação preliminar da exposição.

AVISO: A emissão de vibração durante a utilização real da ferramenta elétrica pode diferir do(s) valor(es) indicado(s), dependendo das formas como a ferramenta é utilizada, especialmente o tipo de peça de trabalho que é processada.

AVISO: Certifique-se de identificar as medidas de segurança para proteção do operador que sejam baseadas em uma estimativa de exposição em condições reais de utilização (considerando todas as partes do ciclo de operação, tal como quando a ferramenta está desligada e quando está a funcionar em marcha lenta além do tempo de acionamento).

Declarações de conformidade

Apenas para os países europeus

As Declarações de conformidade estão incluídas no Anexo A deste manual de instruções.

Avisos gerais de segurança para ferramentas elétricas

AVISO Leia todos os avisos de segurança, instruções, ilustrações e especificações fornecidos com esta ferramenta elétrica. O incumprimento de todas as instruções abaixo enumeradas pode resultar em choque elétrico, incêndio e/ou ferimentos graves.

Guarde todos os avisos e instruções para futuras referências.

O termo "ferramenta elétrica" nos avisos refere-se às ferramentas elétricas ligadas à corrente elétrica (com cabo) ou às ferramentas elétricas operadas por meio de bateria (sem cabo).

Avisos de segurança da serra rápida

1. **Coloque-se afastado do plano do disco rotativo, bem como as outras pessoas.** O resguardo ajuda a proteger o operador dos fragmentos do disco partidos e do contacto acidental com o disco.
2. **Utilize apenas discos de corte unidos reforçados na ferramenta elétrica.** Pelo facto de um acessório poder ser ligado à ferramenta elétrica, isso não garante uma operação segura.
3. **A velocidade nominal do acessório tem de ser, pelo menos, igual à velocidade máxima marcada na ferramenta elétrica.** Os acessórios que se deslocam mais depressa do que a respetiva velocidade nominal podem partir e ser arremessados pelo ar.
4. **Os discos só podem ser utilizados para as aplicações recomendadas. Por exemplo: não amole com a lateral de um disco de corte.** Os discos de corte abrasivos foram concebidos para a moagem periférica. Se forem aplicadas forças laterais, estes discos podem estilhaçar-se.
5. **Utilize sempre flanges de discos não danificadas, com o diâmetro correto, para o disco selecionado.** As flanges dos discos adequadas suportam o disco reduzindo, assim, a possibilidade de quebra do disco.
6. **O diâmetro externo e a espessura do seu acessório devem estar dentro da classificação de capacidade da ferramenta elétrica.** Os acessórios com uma dimensão incorreta, não podem ser adequadamente protegidos com o resguardo ou controlados.
7. **O tamanho da ancoragem dos discos e flanges tem de ser adequado para o eixo da ferramenta elétrica.** Os discos e flanges com orifícios de ancoragem que não correspondem ao hardware de montagem da ferramenta elétrica ficarão desequilibrados, vibrarão excessivamente e podem provocar perda de controlo.
8. **Não utilize discos danificados. Antes de cada utilização, inspecione os discos para ver se apresentam lascas e rachas. Se deixar cair a ferramenta elétrica ou o disco, inspecione para ver se estão danificados ou instale um disco não danificado. Depois de inspecionar e instalar o disco, coloque-se afastado do plano do disco rotativo, bem como as outras pessoas, e ponha a ferramenta elétrica a funcionar à velocidade máxima sem carga durante um minuto.** Normalmente, os discos danificados partem-se durante este momento de teste.
9. **Utilize equipamento de proteção pessoal. Dependendo da aplicação, utilize um protetor facial, óculos de segurança ou óculos de proteção. Conforme adequado, utilize máscara para o pó, protetores auditivos, luvas e aventais de trabalho com capacidade para impedir a penetração de pequenos materiais abrasivos ou fragmentos da peça de trabalho.** A proteção ocular tem de ter capacidade para travar os resíduos voadores gerados por várias operações. A máscara para o pó ou o respirador tem de ter capacidade para filtrar as partículas geradas pelo funcionamento. A exposição prolongada a ruídos de alta intensidade pode provocar perda auditiva.
10. **Mantenha as pessoas a uma distância segura da área de trabalho. Todas as pessoas que entrem na área de trabalho têm de usar equipamento de proteção pessoal.** Os fragmentos da peça de trabalho ou de um disco partido podem ser lançados pelo ar e provocar ferimentos além da área de operação imediata.
11. **Posicione o cabo afastado do acessório rotativo.** Se perder o controlo, o cabo pode ser cortado ou ficar preso e a sua mão ou braço pode ser puxada em direção ao disco rotativo.
12. **Limpe regularmente os ventiladores de ar da ferramenta elétrica.** A ventoinha do motor pode puxar a poeira para dentro da caixa e a acumulação excessiva de metal em pó pode provocar perigos elétricos.
13. **Não utilize a ferramenta elétrica junto de**

materiais inflamáveis. Não utilize a ferramenta elétrica sobre uma superfície combustível, como a madeira. As faíscas podem inflamar estes materiais.

14. **Não utilize acessórios que necessitem de refrigerantes líquidos.** A utilização de água ou outros refrigerantes líquidos pode resultar em eletrocussão ou choque.

Ressalto e avisos relacionados

O ressalto é uma reação súbita a um disco rotativo preso ou apertado. As prisões ou apertos provocam paragens rápidas do disco rotativo o que, por sua vez, faz com que a unidade de corte descontrolada seja forçada para cima, em direção ao operador.

Por exemplo, se um disco abrasivo ficar preso ou for apertado pela peça de trabalho, a extremidade do disco que entra dentro do ponto de prisão pode escavar a superfície do material fazendo com que o disco suba na peça de trabalho ou dê um ressalto. Os discos abrasivos pode também partir-se nestas condições.

O ressalto é o resultado de má utilização da ferramenta elétrica e/ou de procedimentos ou condições de funcionamento incorretos e pode ser evitado tomado as precauções adequadas, como indicado em baixo.

1. **Mantenha a ferramenta elétrica bem segura e posicione o seu corpo e braço de forma a permitir a resistência às forças do ressalto.** O operador pode controlar as forças de ressalto ascendentes se forem tomadas as precauções adequadas.
2. **Não posicione o seu corpo em linha com o disco rotativo.** Se ocorrer ressalto, este irá impedir a unidade de corte para cima, em direção ao operador.
3. **Não fixe uma corrente de serra, uma lâmina de entalhe de madeira, um disco diamantado segmentado com uma folga periférica superior a 10 mm ou com uma lâmina de serra dentada.** Estas lâminas criam ressaltos frequentes e perda de controlo.
4. **Não “enclave” o disco nem exerça pressão excessiva. Não tente realizar um corte com uma profundidade excessiva.** Sobrecarregar o disco aumenta a carga e a suscetibilidade de torcer ou amolgar o disco no corte e a possibilidade de ressalto ou a quebra do disco.
5. **Quando o disco está amolgado ou quando interrompe o corte por qualquer motivo, desligue a ferramenta elétrica e mantenha a unidade de corte parada até o disco parar completamente. Nunca tente remover o disco do corte enquanto o disco está em movimento, caso contrário pode ocorrer ressalto.** Investigue e tome as medidas corretivas para eliminar a razão pela qual o disco ficou amolgado.
6. **Não reinicie a operação de corte na peça de trabalho. Deixe o disco atingir a velocidade máxima e volte a entrar no corte, cuidadosamente.** O disco pode amolgar, trepar ou ressaltar se a ferramenta elétrica for reiniciada na peça de trabalho.
7. **Suporte as peças de trabalho de maiores dimensões para minimizar o risco de prisões do disco e ressaltos.** As peças de trabalho grandes tendem a abater mediante o seu próprio peso. Os suportes têm de ser colocados por baixo da

peça de trabalho, junto da linha de corte e junto à extremidade da peça de trabalho, em ambos os lados do disco.

Avisos de segurança adicionais

1. **Tenha cuidado com as faíscas quando está a trabalhar.** Podem provocar ferimentos ou incendiar materiais combustíveis.
2. **Fixe a peça de trabalho. Utilize braçadeiras de aperto ou um torno de bancada para segurar a peça de trabalho, sempre que for prático.** É mais seguro do que usar as mãos e deixa as mãos livres para operar a ferramenta.
3. **Prenda o disco de corte cuidadosamente.**
4. **Tenha cuidado para não danificar o eixo, as flanges (especialmente a superfície de instalação) ou o perno, pois o próprio disco de corte pode partir.**
5. **Mantenha os resguardos no lugar e em boas condições de funcionamento.**
6. **Segure a pega firmemente.**
7. **Mantenha as mãos afastadas das peças em rotação.**
8. **Certifique-se de que o disco de corte não está em contacto com a peça de trabalho antes de ligar o interruptor.**
9. **Antes de cada utilização, preste atenção a movimentos irregulares ou vibrações excessivas que possam indicar má instalação ou desequilíbrio do disco.**
10. **Retire materiais ou fragmentos da área que pode ser atingida pelas faíscas. Certifique-se de que não está ninguém num local onde possa ser atingido pelas faíscas.** Mantenha um extintor de incêndios em condições de funcionamento num local próximo.
11. **Se o disco de corte parar durante a operação, produzir um ruído anormal ou começar a vibrar, desligue imediatamente a ferramenta.**
12. **Desligue sempre a ferramenta e espere que o disco de corte esteja completamente parado antes de retirar ou prender a peça de trabalho, o torno de trabalho, mudar a posição de trabalho, o ângulo ou o próprio disco de corte.**
13. **Não toque na peça de trabalho imediatamente depois da operação; está extremamente quente e pode provocar queimaduras.**
14. **Guarde os discos só em locais secos.**

GUARDE ESTAS INSTRUÇÕES.

INSTALAÇÃO

⚠AVISO: Esta ferramenta produz faíscas durante o corte de uma peça de trabalho. Não instale esta ferramenta num local onde estejam materiais inflamáveis e/ou explosivos que possam incendiar-se com as faíscas libertadas pela ferramenta. Certifique-se ainda de que não existe este tipo de material perto da ferramenta antes de iniciar a operação.

Fixar a base

Esta ferramenta deve ser presa com dois pernos numa superfície nivelada e estável utilizando os orifícios para pernos existentes na base da ferramenta. Isto ajudará a evitar que a ferramenta tombe e provoque ferimentos.

► **Fig.1:** 1. Orifícios para pernos 2. Base

DESCRIÇÃO FUNCIONAL

⚠PRECAUÇÃO: Certifique-se sempre de que a ferramenta está desligada e com a ficha retirada da tomada, antes de proceder a afinações ou de verificar o funcionamento da respetiva ferramenta.

Desbloquear/Bloquear a cabeça da ferramenta

A cabeça da ferramenta pode ser bloqueada. Bloqueie sempre a cabeça da ferramenta quando não estiver a utilizá-la ou quando a transportar.

Para LW1400

Para desbloquear, pressione ligeiramente a cabeça da ferramenta e empurre o pino de bloqueio. Para bloquear, volte a colocar o pino de bloqueio ao mesmo tempo que mantém a cabeça da ferramenta em baixo.

► **Fig.2:** 1. Pino de bloqueio

Para LW1401

Desenganche a corrente de bloqueio do gancho. Enganche sempre a corrente de bloqueio no gancho quando não estiver a utilizá-la.

► **Fig.3:** 1. Gancho 2. Corrente de bloqueio

Ação do interruptor

⚠AVISO: Antes de ligar a ferramenta à corrente, verifique sempre se o gatilho funciona corretamente e volta para a posição "OFF" quando libertado.

► **Fig.4:** 1. Botão de bloqueio / Botão de desbloqueio 2. Gatilho

Para ferramentas com botão de bloqueio

Para pôr a ferramenta a funcionar, basta puxar o gatilho. Liberte o gatilho para parar. Para um funcionamento contínuo, puxe o gatilho, empurre o botão de bloqueio para dentro e, depois, solte o gatilho. Para parar a ferramenta a partir da posição de bloqueada, puxe o gatilho até ao fim, depois solte-o.

⚠PRECAUÇÃO: O interruptor pode ser bloqueado na posição de ligado para facilidade e conforto do utilizador durante uma utilização alargada. Tenha todo o cuidado quando bloquear a ferramenta na posição de ligado e mantenha a ferramenta firmemente segura em posição.

Para ferramentas com botão de desbloqueio

Para evitar que o gatilho seja puxado acidentalmente, a ferramenta está equipada com um botão de

desbloqueio. Para arrancar a ferramenta, pressione o botão de desbloqueio e puxe o gatilho. Liberte o gatilho para parar.

⚠AVISO: NUNCA tente anular o botão de desbloqueio dando-lhe pancadas para baixo nem por qualquer outro meio. Um interruptor com um botão de desbloqueio anulado pode resultar em operação não intencional e em ferimentos pessoais graves.

⚠AVISO: NUNCA utilize a ferramenta se ela funcionar premindo apenas o gatilho, sem ter de carregar no botão de desbloqueio. Um interruptor que necessita de reparação pode resultar em operação não intencional e em ferimentos pessoais graves. Envie a ferramenta para um centro de assistência da Makita para receber uma reparação adequada ANTES de voltar a utilizá-la.

OBSERVAÇÃO: Não carregue a fundo o gatilho sem pressionar o botão de segurança. Esta ação pode estragar o interruptor.

Intervalo entre o torno e a placa guia

⚠PRECAUÇÃO: Depois de ajustar o intervalo entre o torno e a placa guia, certifique-se de que a placa guia está bem presa. Se não ficar bem presa, pode resultar em ferimentos pessoais.

É possível regular os seguintes intervalos do torno:

- 0 - 170 mm (regulação original)
- 35 - 205 mm
- 70 - 240 mm

Se o seu trabalho necessitar de uma regulação diferente, faça o seguinte para alterar o espaço ou o intervalo.

Para LW1400

Solte o parafuso na placa guia. Mova a placa guia para a posição pretendida, depois, aperte o parafuso.

► **Fig.5:** 1. Parafuso 2. Placa guia

Para LW1401

Retire os dois pernos hexagonais com uma chave de caixa. Mova a placa guia para a posição pretendida e prenda-a utilizando os pernos hexagonais.

► **Fig.6:** 1. Placa guia 2. Pernos hexagonais

Ajuste do ângulo de corte

⚠PRECAUÇÃO: Depois de ajustar o ângulo da placa guia, certifique-se de que a placa guia está bem presa. Se não ficar bem presa, pode resultar em ferimentos pessoais.

⚠PRECAUÇÃO: Não opere a ferramenta quando o material não está firmemente seguro com o torno de bancada devido ao ângulo de corte.

Para LW1400

Gire a alavanca para a esquerda. Mova a placa guia para o ângulo pretendido e aperte a alavanca até ao fim.

► **Fig.7:** 1. Placa guia 2. Alavanca

OBSERVAÇÃO: Quando estiver a realizar um corte de esquadria à direita, coloque sempre a placa guia na posição dos 0 - 170 mm. Se a colocar na posição dos 35 - 205 mm ou 70 - 240 mm estorvam o movimento da placa de batente e que resulta num corte falhado.

Solte os dois pernos hexagonais com uma chave de caixa. Rode a placa guia para o ângulo pretendido e prenda-a utilizando os pernos hexagonais. Tenha cuidado para não mover o ângulo regulado enquanto aperta os pernos hexagonais.

► Fig.8: 1. Placa guia 2. Pernos hexagonais

NOTA: A escala na placa guia é apenas uma indicação aproximada. Para obter um ângulo mais preciso, use um transferidor ou um esquadro. Mantenha a pega abaixada de forma que o disco de corte se estenda até a base. Ao mesmo tempo, regule o ângulo entre a placa guia e o disco de corte com um transferidor ou esquadro.

Ajuste do resguardo para faíscas

Apenas para LW1401 (específico para o país)

► Fig.9: 1. Parafuso 2. Resguardo para faíscas

O resguardo para faíscas foi instalado na fábrica com a extremidade inferior tocando a base. Operar a ferramenta nesta posição provocará muitas faíscas aerotransportadas. Desaperte o parafuso e ajuste o resguardo para faíscas numa posição onde ocorra o mínimo de faíscas aerotransportadas.

Placa de batente

Apenas para LW1401 (específico para o país)

► Fig.10: 1. Placa de batente

A placa de batente impede que o disco de corte entre em contacto com a bancada de trabalho ou com o chão. Quando é instalada um novo disco de corte, regule a placa de batente para a posição (A). Quando o disco de corte fica desgastado ao ponto de a parte inferior da peça de trabalho já não ser cortada, regule a placa de batente para a posição (B) para permitir uma capacidade de corte aumentada com um disco desgastado.

MONTAGEM

⚠PRECAUÇÃO: Certifique-se sempre de que a ferramenta está desligada e com a ficha retirada da tomada antes de executar quaisquer trabalhos na ferramenta.

Abriu o resguardo de segurança de tipo tampa central

Específico para o país

Para as ferramentas equipadas com um resguardo de segurança do tipo tampa central, solte primeiro o parafuso de fixação, depois, levante o resguardo.

► Fig.11: 1. Parafuso de fixação

Abriu o resguardo de segurança de tipo europeu

Específico para o país

Para as ferramentas equipadas com um resguardo de segurança do tipo europeu, solte primeiro o parafuso de fixação, depois, abra o resguardo como indicado.

► Fig.12: 1. Parafuso de fixação

► Fig.13

► Fig.14

Remover ou instalar o disco de corte

⚠PRECAUÇÃO: Certifique-se de que aperta firmemente a braçadeira de aperto sem ferramenta ou o perno hexagonal. Se não ficar bem presa, pode resultar em ferimentos graves. Quando apertar o perno hexagonal, utilize a chave de caixa fornecida com a ferramenta para assegurar um aperto correto.

⚠PRECAUÇÃO: Utilize sempre as flanges interior e exterior adequadas que foram fornecidas com a ferramenta.

⚠PRECAUÇÃO: Baixe sempre o resguardo de segurança depois de voltar a colocar o disco.

⚠PRECAUÇÃO: Use luvas quando manusear os discos.

► Fig.15: 1. Flange interior 2. Anel 3. Anel em O 4. Disco de corte 5. Flange exterior 6. Braçadeira de aperto sem ferramenta / Perno hexagonal

Para LW1400

Levante o resguardo de segurança. Rode a braçadeira de aperto sem ferramenta para a esquerda enquanto mantém o bloqueio do eixo para baixo. Em seguida, retire a braçadeira de aperto sem ferramenta, a flange exterior e o disco de corte. Quando remover o disco de corte, não retire a flange interior, o anel nem o anel em O.

► Fig.16: 1. Bloqueio do eixo 2. Braçadeira de aperto sem ferramenta

Para instalar o disco de corte, siga os procedimentos de remoção pela ordem inversa. Certifique-se de que ajusta o orifício do disco de corte no anel e volte a colocar o resguardo de segurança.

Para LW1401

Levante o resguardo de segurança. Rode o perno hexagonal para a esquerda com uma chave de caixa enquanto mantém o bloqueio do eixo para baixo. Em seguida, retire o perno hexagonal, a flange exterior e o disco.

► Fig.17: 1. Bloqueio do eixo 2. Perno hexagonal

Para instalar o disco, execute os procedimentos de remoção pela ordem inversa. Certifique-se de que ajusta o orifício do disco de corte no anel e volte a colocar o resguardo de segurança.

OPERAÇÃO


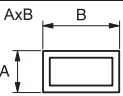
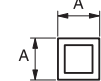

⚠️ PRECAUÇÃO: A pressão adequada na pega durante o corte e a máxima eficiência de corte podem ser determinadas pela quantidade de faíscas produzidas durante o corte. Não force para cortar, exercendo pressão excessiva na pega. Poderá resultar em eficácia reduzida de corte, desgaste prematuro do disco, assim como possíveis danos na ferramenta, disco de corte ou peça de trabalho.

Segure a pega firmemente. Ligue a ferramenta e espere até que o disco de corte atinja a velocidade máxima antes de o baixar devagar para cortar. Quando o disco de corte tocar na peça de trabalho, pressione gradualmente a pega para executar o corte. Quando terminar de cortar, desligue a ferramenta e **espere até o disco de corte estar completamente parado** antes de voltar a colocar a pega para a posição de totalmente elevada.

Capacidade de corte

A capacidade máxima de corte varia de acordo com o ângulo de corte e com a forma da peça de trabalho.

Capacidade máxima de corte com um disco de corte totalmente novo

Ângulo de corte/ Forma da peça de trabalho	90°	45°
	127 mm	127 mm
	115 x 130 mm 102 x 194 mm 70 x 233 mm	115 x 103 mm
	119 x 119 mm	106 x 106 mm
	137 x 137 x 10 mm	100 x 100 x 10 mm

Prender a peça de trabalho

⚠️ PRECAUÇÃO: Coloque sempre o suporte roscado nas roscas do eixo quando prender a peça de trabalho. Caso contrário, a peça de trabalho pode não ficar bem presa. Isso pode fazer com que a peça de trabalho seja ejetada ou provoca a quebra perigosa do disco de corte.

Enquanto o suporte roscado é levantado, a placa do torno pode ser movida para dentro e para fora rapidamente. Para prender a peça de trabalho, empurre a pega até a placa do torno entrar em contacto com a

peça de trabalho, depois, voltar a colocar o suporte roscado. Rode a pega para a direita até a peça de trabalho ficar retida em segurança.

► **Fig.18:** 1. Pega 2. Suporte roscado 3. Placa do torno

Depois de o disco de corte estar muito gasto, coloque um bloco espaçador por trás da peça de trabalho como indicado na ilustração. Pode utilizar o disco gasto mais eficientemente utilizando o ponto médio na periferia do disco para cortar a peça de trabalho. Utilize um material robusto e não inflamável como bloco espaçador.

► **Fig.19:** 1. Bloco espaçador

Quando cortar peças de trabalho com mais de 85 mm de largura em ângulo, prenda um pedaço de madeira direita (espaçador) com mais de 190 mm de comprimento x 45 mm de largura à placa guia como apresentado na ilustração. Prenda este espaçador com parafusos através dos orifícios na placa guia. Certifique-se de que o disco de corte não está em contacto com o espaçador quando a cabeça da ferramenta é empurrada para baixo.

► **Fig.20:** 1. Placa guia 2. Bloco espaçador (mais de 190 mm de comprimento x 45 mm de largura) 3. Peça de trabalho (mais de 85 mm de largura) 4. Placa do torno

► **Fig.21**

Quando o disco de corte estiver muito gasto, suba a posição de corte colocando um bloco espaçador ligeiramente mais estreito do que a peça de trabalho, como indicado na ilustração. Isto ajuda-o a utilizar o disco de corte de forma económica.

► **Fig.22:** 1. Placa do torno 2. Diâmetro da peça de trabalho 3. Placa guia 4. Largura do bloco espaçador

As peças de trabalho compridas devem ser apoiadas por blocos de ambos os lados para que fique nivelado com o topo da base. Utilize um material não inflamável como blocos de suporte.

► **Fig.23:** 1. Bloco de suporte

Transporte da ferramenta

Dobre a cabeça da ferramenta para baixo e bloqueie-a. Segure na pega quando transportar.

► **Fig.24**

MANUTENÇÃO

⚠️ PRECAUÇÃO: Certifique-se sempre de que a ferramenta está desligada e com a ficha retirada da tomada antes de tentar proceder à inspeção ou à manutenção.

OBSERVAÇÃO: Nunca utilize gasolina, benzina, diluente, álcool ou produtos semelhantes. Pode ocorrer a descoloração, deformação ou rachaduras.

Substituição das escovas de carvão

► **Fig.25:** 1. Marca limite

Verifique regularmente as escovas de carvão. Substitua-as quando estiverem gastas até à marca limite. Mantenha as escovas de carvão limpas e a deslizarem nos suportes. As duas escovas de carvão devem ser substituídas ao mesmo tempo. Só utilize escovas de carvão idênticas.

1. Utilize uma chave de parafusos para retirar as tampas do suporte das escovas.
2. Retire as escovas de carvão usadas, coloque as novas e prenda as tampas do suporte das escovas.

► **Fig.26:** 1. Tampa do suporte das escovas

ACESSÓRIOS OPCIONAIS

⚠PRECAUÇÃO: Estes acessórios ou peças são recomendados para utilização com a ferramenta Makita especificada neste manual. A utilização de outros acessórios ou peças pode ser perigosa para as pessoas. Utilize apenas acessórios ou peças para os fins indicados.

Se necessitar de informações adicionais relativas a estes acessórios, solicite-as ao seu centro de assistência Makita.

- Discos de corte abrasivos
- Chave de caixa (apenas para LW1401)

NOTA: Alguns itens da lista podem estar incluídos na embalagem da ferramenta como acessórios padrão. Eles podem variar de país para país.

ΠΡΟΔΙΑΓΡΑΦΕΣ

Μοντέλο:		LW1400	LW1401
Διάμετρος τροχού		355 mm	
Μέγιστο πάχος τροχού		3 mm	
Διάμετρος τρύπας		25,4 mm	
Ταχύτητα χωρίς φορτίο		3.800 min ⁻¹	
Διαστάσεις (Μ x Π x Υ)	Με προφυλακτήρα ασφάλειας ευρωπαϊκού τύπου	530 mm x 295 mm x 640 mm	500 mm x 295 mm x 640 mm
	Με προφυλακτήρα ασφάλειας διαφορετικό από ευρωπαϊκού τύπου	530 mm x 295 mm x 640 mm	500 mm x 290 mm x 620 mm
Βάρος καθαρό	Με προφυλακτήρα ασφάλειας ευρωπαϊκού τύπου και κάτω κάλυμμα	18,7 kg	18,3 kg
Τάξη ασφάλειας		□/II	

- Λόγω του συνεχόμενου προγράμματος που εφαρμόζουμε για έρευνα και ανάπτυξη, τα τεχνικά χαρακτηριστικά στο παρόν έντυπο υπόκεινται σε αλλαγή χωρίς προειδοποίηση.
- Τα τεχνικά χαρακτηριστικά μπορεί να διαφέρουν από χώρα σε χώρα.
- Βάρος σύμφωνα με διαδικασία ΕΡΤΑ 01/2014
- Το σχήμα και το βάρος διαφέρουν ανάλογα με τα τεχνικά χαρακτηριστικά, τα οποία διαφέρουν ανάλογα με τη χώρα.

Προοριζόμενη χρήση

Το εργαλείο προορίζεται για την κοπή σιδηρούχων υλικών με κατάλληλο λειαντικό τροχό αποκοπής. Να τηρείτε όλους τους νόμους και κανονισμούς της χώρας σας σχετικά με σκόνη και υγιεινή και ασφάλεια στους χώρους εργασίας.

Ηλεκτρική παροχή

Το εργαλείο πρέπει να συνδέεται μόνο με ηλεκτρική παροχή της ίδιας τάσης με αυτή που αναγράφεται στην πινακίδα ονομαστικών τιμών και μπορεί να λειτουργήσει μόνο με εναλλασσόμενο μονοφασικό ρεύμα. Υπάρχει διπλή μόνωση και κατά συνέπεια, μπορεί να γίνει σύνδεση σε ακροδέκτες χωρίς σύρμα γείωσης.

Για δημόσια συστήματα διανομής ηλεκτρικού ρεύματος χαμηλής τάσης μεταξύ 220 V και 250 V

Η αλλαγή λειτουργιών ηλεκτρικής συσκευής προκαλεί διακυμάνσεις τάσης. Η λειτουργία αυτής της συσκευής κάτω από άσχημες συνθήκες παροχής ηλεκτρικού ρεύματος μπορεί να έχει δυσμενή αποτελέσματα στη λειτουργία άλλου εξοπλισμού. Με μια σύνθετη αντίσταση ίση ή μικρότερη από 0,18 Ω, μπορεί να θεωρηθεί πιθανό ότι δεν θα προκύψουν αρνητικά αποτελέσματα. Η υποδοχή παροχής ρεύματος για την συσκευή αυτή πρέπει να προστατεύεται από μια ασφάλεια ή ένα προστατευτικό κύκλωμα διακόπτη που να έχει αργά χαρακτηριστικά αποσύνδεσης.

Θόρυβος

Το τυπικό Α επίπεδο καταμετρημένου θορύβου καθορίζεται σύμφωνα με το EN62841-3-10:

Μοντέλο LW1400

Στάθμη ηχητικής πίεσης (L_{pA}): 102 dB (A)

Στάθμη ηχητικής ισχύος (L_{WA}): 110 dB (A)

Αβεβαιότητα (K): 3 dB (A)

Μοντέλο LW1401

Στάθμη ηχητικής πίεσης (L_{pA}): 102 dB (A)

Στάθμη ηχητικής ισχύος (L_{WA}): 110 dB (A)

Αβεβαιότητα (K): 3 dB (A)

ΠΑΡΑΤΗΡΗΣΗ: Η δηλωμένη τιμή(ές) εκπομπής θορύβου έχει μετρηθεί σύμφωνα με την πρότυπη μέθοδο δοκιμής και μπορεί να χρησιμοποιηθεί για τη σύγκριση ενός εργαλείου με κάποιο άλλο.

ΠΑΡΑΤΗΡΗΣΗ: Η δηλωμένη τιμή(ές) εκπομπής θορύβου μπορεί να χρησιμοποιηθεί και στην προκαταρκτική αξιολόγηση της έκθεσης.

▲ ΠΡΟΕΙΔΟΠΟΙΗΣΗ: Να φοράτε ωτοασπίδες.

▲ ΠΡΟΕΙΔΟΠΟΙΗΣΗ: Η εκπομπή θορύβου κατά τη χρήση του ηλεκτρικού εργαλείου σε πραγματικές συνθήκες μπορεί να διαφέρει από τη δηλωμένη τιμή(ές) ανάλογα με τους τρόπους χρήσης του εργαλείου, ιδιαίτερα το είδος του τεμαχίου εργασίας που υπόκειται επεξεργασία.

▲ ΠΡΟΕΙΔΟΠΟΙΗΣΗ: Φροντίστε να λάβετε τα κατάλληλα μέτρα προστασίας του χειριστή βάσει ενός υπολογισμού της έκθεσης σε πραγματικές συνθήκες χρήσης (λαμβάνοντας υπόψη όλες τις συνιστώσες του κύκλου λειτουργίας όπως τους χρόνους που το εργαλείο είναι εκτός λειτουργίας και όταν βρίσκεται σε αδρανή λειτουργία πέραν του χρόνου ενεργοποίησης).

Κραδασμός

Η ολική τιμή δόνησης (άθροισμα τρι-αξονικού διανύσματος) καθορίζεται σύμφωνα με το EN62841-3-10:

Μοντέλο LW1400

Εκπομπή δόνησης (a_n): 2,5 m/s² ή λιγότερο
Αβεβαιότητα (K): 1,5 m/s²

Μοντέλο LW1401

Εκπομπή δόνησης (a_n): 2,5 m/s² ή λιγότερο
Αβεβαιότητα (K): 1,5 m/s²

ΠΑΡΑΤΗΡΗΣΗ: Η δηλωμένη τιμή(ές) συνολικών κραδασμών έχει μετρηθεί σύμφωνα με την πρότυπη μέθοδο δοκιμής και μπορεί να χρησιμοποιηθεί για τη σύγκριση ενός εργαλείου με κάποιο άλλο.

ΠΑΡΑΤΗΡΗΣΗ: Η δηλωμένη τιμή(ές) συνολικών κραδασμών μπορεί να χρησιμοποιηθεί και στην προκαταρκτική αξιολόγηση της έκθεσης.

▲ ΠΡΟΕΙΔΟΠΟΙΗΣΗ: Η εκπομπή κραδασμών κατά τη χρήση του ηλεκτρικού εργαλείου σε πραγματικές συνθήκες μπορεί να διαφέρει από τη δηλωμένη τιμή(ές) εκπομπής ανάλογα με τους τρόπους χρήσης του εργαλείου, ιδιαίτερα το είδος του τεμαχίου εργασίας που υπόκειται επεξεργασία.

▲ ΠΡΟΕΙΔΟΠΟΙΗΣΗ: Φροντίστε να λάβετε τα κατάλληλα μέτρα προστασίας του χειριστή βάσει ενός υπολογισμού της έκθεσης σε πραγματικές συνθήκες χρήσης (λαμβάνοντας υπόψη όλες τις συνιστώσες του κύκλου λειτουργίας όπως τους χρόνους που το εργαλείο είναι εκτός λειτουργίας και όταν βρίσκεται σε αδρανή λειτουργία πέραν του χρόνου ενεργοποίησης).

Δήλωση Συμμόρφωσης

Μόνο για χώρες της Ευρώπης

Οι Δήλωσης Συμμόρφωσης περιλαμβάνονται στο Παράρτημα Α στο παρόν εγχειρίδιο οδηγιών.

Γενικές προειδοποιήσεις ασφαλείας για το ηλεκτρικό εργαλείο

▲ ΠΡΟΕΙΔΟΠΟΙΗΣΗ Διαβάστε όλες τις προειδοποιήσεις ασφαλείας, οδηγίες, εικονογραφήσεις και προδιαγραφές που παρέχονται με αυτό το

ηλεκτρικό εργαλείο. Η μη τήρηση όλων των οδηγιών που αναγράφονται κατωτέρω μπορεί να καταλήξει σε ηλεκτροπληξία, πυρκαγιά ή/και σοβαρό τραυματισμό.

Φυλάξτε όλες τις προειδοποιήσεις και τις οδηγίες για μελλοντική παραπομπή.

Στις προειδοποιήσεις, ο όρος «ηλεκτρικό εργαλείο» αναφέρεται σε ηλεκτρικό εργαλείο που τροφοδοτείται από την κύρια παροχή ηλεκτρικού ρεύματος (με ηλεκτρικό καλώδιο) ή σε ηλεκτρικό εργαλείο που τροφοδοτείται από μπαταρία (χωρίς ηλεκτρικό καλώδιο).

Προειδοποιήσεις ασφαλείας μηχανήματος αποκοπής

- Εσείς και οι παρευρισκόμενοι να στέκεστε μακριά από το επίπεδο περιστροφής του τροχού.** Το προστατευτικό βοθθάει στην προστασία του χειριστή από σπασμένα κομμάτια τροχού και τυχαία επαφή με τον τροχό.
- Να χρησιμοποιείτε μόνο συνδεδεμένες ενιαχυμένους τροχούς αποκοπής για το ηλεκτρικό εργαλείο σας.** Η χρήση ενός εξαρτήματος απλά και μόνο επειδή μπορεί να προσαρμοστεί στο ηλεκτρικό εργαλείο δεν διασφαλίζει την ασφαλή λειτουργία του.
- Η ονομαστική ταχύτητα του εξαρτήματος πρέπει να είναι τουλάχιστον ίση με τη μέγιστη ταχύτητα που αναγράφεται στο ηλεκτρικό εργαλείο.** Εξαρτήματα τα οποία περιστρέφονται ταχύτερα από την ονομαστική ταχύτητά τους μπορεί να υποστούν θραύση και τα θραύσματα να εκτιναχθούν στον περιβάλλοντα χώρο.
- Οι τροχοί πρέπει να χρησιμοποιούνται μόνο στις προβλεπόμενες εφαρμογές. Για παράδειγμα: μη λειάνετε με την πλευρική επιφάνεια του τροχού αποκοπής.** Οι λειαντικοί τροχοί αποκοπής προορίζονται για περιφερειακή λείανση, η εφαρμογή πλευρικών δυνάμεων σε αυτούς τους τροχούς μπορεί να προκαλέσει τη θραύση τους.
- Να χρησιμοποιείτε πάντα φλάντζες τροχών που δεν έχουν υποστεί ζημιά και είναι κατάλληλης διαμέτρου για τον επιλεγμένο τροχό.** Οι κατάλληλες φλάντζες τροχών υποστηρίζουν τους τροχούς και μειώνουν επομένως την πιθανότητα θραύσεως τους.
- Η εξωτερική διάμετρος και το πάχος του εξαρτήματος πρέπει να είναι εντός της ονομαστικής ικανότητας του ηλεκτρικού εργαλείου.** Σε εξαρτήματα ασφαλισμένου μεγέθους δεν είναι εφικτή η παροχή επαρκούς προστασίας ή ελέγχου.
- Το μέγεθος της σπής προσαρμογής σε άξονα των τροχών και των φλαντζών πρέπει να ταιριάζει απολύτως στον άξονα μετάδοσης κίνησης του ηλεκτρικού εργαλείου.** Τροχοί και φλάντζες με σπές προσαρμογής οι οποίες δεν ταιριάζουν απολύτως στο εξάρτημα στερέωσης του ηλεκτρικού εργαλείου θα παρουσιάσουν υποβαθμισμένη ζυγοστάθμηση και υπερβολικούς κραδασμούς, και μπορεί και απώλεια ελέγχου.
- Μην χρησιμοποιείτε τροχούς που έχουν υποστεί ζημιά. Πριν από κάθε χρήση, επιθεωρήστε τους τροχούς για τεμαχίδια που λείπουν και ρωγμές. Σε περίπτωση πτώσης**

του ηλεκτρικού εργαλείου ή του τροχού, επιθεωρήστε για τυχόν ζημιά ή τοποθετήστε έναν τροχό που δεν έχει υποστεί ζημιά. Μετά από τον έλεγχο και την τοποθέτηση του τροχού, σταθείτε εσείς και οι παρευρισκόμενοι σε κατάλληλη θέση μακριά από το επίπεδο περιστροφής του τροχού και αφήστε το ηλεκτρικό εργαλείο σε λειτουργία στη μέγιστη ταχύτητα περιστροφής χωρίς φορτίο, για ένα λεπτό.

Συνήθως, οι τροχοί που έχουν υποστεί ζημιά διαλύονται, εντός του συγκεκριμένου χρόνου δοκιμής.

9. **Να φοράτε εξοπλισμό ατομικής προστασίας. Ανάλογα με την εφαρμογή, να χρησιμοποιείτε προστατευτικά προστάσεις, προστατευτικά γυαλιά-προσωπίδες ή γυαλιά προστασίας. Όταν απαιτείται, να φοράτε μάσκα σκόνης, προστατευτικά ακοής, γάντια και ποδιά συνεργείου ικανά να παρέχουν προστασία από τα εκτινασόμενα μικρά θραύσματα του λειαντικού μέσου ή του τεμαχίου εργασίας.** Τα προστατευτικά ματιών πρέπει να είναι ικανά να σταματήσουν τυχόν εκτινασόμενα θραύσματα που δημιουργούνται κατά την εκτέλεση διαφόρων εργασιών. Η μάσκα σκόνης ή η αναπνευστική συσκευή πρέπει να είναι ικανά να φιλτράρουν τα σωματίδια που δημιουργούνται κατά την εκτέλεση των εργασιών σας. Η παρατεταμένη έκθεση σε θόρυβο υψηλής έντασης μπορεί να προκαλέσει απώλεια ακοής.
10. **Κρατάτε τους γύρω σας σε μια ασφαλή απόσταση από τον χώρο εργασίας. Οποιοσδήποτε εισερχόμενος στο χώρο εργασίας πρέπει να φορά ατομικό προστατευτικό εξοπλισμό.** Θραύσματα του τεμαχίου εργασίας ή ενός τροχού που έχει υποστεί θραύση μπορεί να εκτιναχθούν και να προκαλέσουν τραυματισμό πέραν των ορίων του άμεσου χώρου εκτέλεσης εργασιών.
11. **Κρατήστε το καλώδιο μακριά από το περιστρεφόμενο εξάρτημα.** Εάν χάσετε τον έλεγχο, το καλώδιο τροφοδοσίας μπορεί να κοπεί ή να εμπλακεί και το χέρι ή ο βραχιόνάς σας μπορεί να τραβηχτεί προς τον περιστρεφόμενο τροχό.
12. **Καθαρίζετε τακτικά τα ανοίγματα εξαερισμού του ηλεκτρικού εργαλείου.** Ο ανεμιστήρας του μοτέρ μπορεί να αναρροφήσει τη σκόνη μέσα στο περίβλημα και η υπερβολική συγκέντρωση ρινισμάτων μετάλλου μπορεί να προκαλέσει κίνδυνο ηλεκτροπληξίας.
13. **Μη χειρίζεστε το ηλεκτρικό εργαλείο κοντά σε εύφλεκτα υλικά. Μη χειρίζεστε το ηλεκτρικό εργαλείο ενώ βρίσκεται τοποθετημένο σε καύσιμη επιφάνεια, όπως ξύλο.** Σπινθήρες μπορεί να αναφλέξουν τα υλικά αυτά.
14. **Μη χρησιμοποιείτε εξαρτήματα που χρειάζονται ψυκτικά υγρά.** Η χρήση νερού ή άλλων ψυκτικών υγρών μπορεί να προκαλέσει ηλεκτροπληξία ή σοκ.

Κλότσημα και σχετικές προειδοποιήσεις

Το κλότσημα είναι μια ξαφνική αντίδραση λόγω σύσφιξης ή σκαλώματος του περιστρεφόμενου τροχού. Η σύσφιξη ή το σκάλωμα προκαλεί ταχεία ακινητοποίηση του περιστρεφόμενου τροχού, το οποίο στη συνέχεια υποχωρώνει την ανεξέλεγκτη μονάδα κοπής σε ανοδική κίνηση προς τον χειριστή.

Για παράδειγμα, αν ένας λειαντικός τροχός περιέλθει σε σύσφιξη ή σκάλωμα στο τεμάχιο εργασίας, η ακμή του τροχού που εισέρχεται στο σημείο σύσφιξης μπορεί

να σκάψει την επιφάνεια του υλικού προκαλώντας την αναπήδηση ή το κλότσημα του τροχού. Υπό αυτές τις συνθήκες, ο λειαντικός τροχός μπορεί επίσης να υποστούν θραύση.

Το κλότσημα είναι αποτέλεσμα κακής χρήσης του ηλεκτρικού εργαλείου ή/και εσφαλμένων χειρισμών ή συνθηκών και μπορεί να αποφευχθεί με τις κατάλληλες προφυλάξεις όπως δίνονται παρακάτω.

1. **Κρατάτε σταθερά το ηλεκτρικό εργαλείο και τοποθετήστε το σώμα σας και τον βραχιόνα έτσι ώστε να ανθίστανται στις δυνάμεις του κλότσηματος.** Ο χειριστής μπορεί να ελέγξει τις ανοδικές αντιδράσεις κλότσηματος, αν έχουν ληφθεί οι κατάλληλες προφυλάξεις.
2. **Μην ευθυγραμμίζετε το σώμα σας με τον περιστρεφόμενο τροχό.** Αν συμβεί κλότσημα, η μονάδα κοπής θα κατευθυνθεί ανοδικά προς το χειριστή.
3. **Μην προσαρμόζετε αλυσοπρίονο, λεπίδα ξυλουργικής, τμηματικό διαμαντοτροχό με περιφερειακό κενό μεγαλύτερο από 10 mm ή οδοντωτή λεπίδα πριονιού.** Οι λεπίδες αυτού του τύπου προκαλούν συχνά κλότσημα και απώλεια ελέγχου.
4. **Μην προκαλείτε «μάγκωμα» του τροχού και μην ασκείτε υπερβολική πίεση. Μην επιχειρήσετε να δημιουργήσετε τομή υπερβολικού βήθους.** Η άσκηση υπερβολικής δύναμης στον τροχό αυξάνει το φορτίο και τη δεκτικότητα σε συστολή ή εμπλοκή του τροχού εντός της τομής και την πιθανότητα κλότσηματος ή θραύσης του τροχού.
5. **Σε περίπτωση εμπλοκής του τροχού ή διακοπής της κοπής για οποιοδήποτε λόγο, απενεργοποιήστε το ηλεκτρικό εργαλείο και κρατήστε την μονάδα κοπής ακίνητη, έως ότου ο τροχός ακινητοποιηθεί πλήρως. Μην επιχειρήσετε ποτέ να αφαιρέσετε τον τροχό από την κοπή, ενώ ο τροχός κινείται, επειδή μπορεί να παρουσιάσει κλότσημα.** Ερευνήστε και λάβετε διορθωτικά μέτρα για να εξαλειφθεί η αιτία εμπλοκής του τροχού.
6. **Μην επαναλάβετε την εργασία κοπής στο τεμάχιο εργασίας. Αφήστε τον τροχό να αποκτήσει μέγιστη ταχύτητα και εισαγάγετε ξανά τον τροχό στην κοπή με προσοχή.** Ο τροχός μπορεί να παρουσιάσει εμπλοκή, αναπήδηση ή κλότσημα αν ενεργοποιήσετε το ηλεκτρικό εργαλείο εντός του τεμαχίου εργασίας.
7. **Να στηρίζετε οποιοδήποτε υπερμέγεθος τεμάχιο εργασίας ώστε να ελαχιστοποιηθεί ο κίνδυνος σύσφιξης και κλότσηματος του τροχού.** Τα μεγάλα τεμάχια εργασίας τείνουν να παρουσιάζουν κάμψη προς τα κάτω λόγω του βάρους τους. Πρέπει να τοποθετούνται υποστηρίγματα κάτω από το τεμάχιο εργασίας κοντά στη γραμμή κοπής και κοντά στο άκρο του τεμαχίου εργασίας και στις δύο πλευρές του τροχού.

Πρόσθετες προειδοποιήσεις ασφάλειας

1. **Προσέχετε για ιπτάμενους σπινθήρες κατά τη λειτουργία.** Μπορεί να προκαλέσουν τραυματισμό ή να ανάψουν εύφλεκτα υλικά.
2. **Ασφαλίστε το τεμάχιο εργασίας. Να χρησιμοποιείτε σφιγκτήρες ή μια μέγκενη για να συγκρατείτε το τεμάχιο εργασίας, όταν είναι**

πρακτικά εφικτό. Είναι πολύ ασφαλέστερο από το να χρησιμοποιείτε το χέρι σας, ενώ θα είναι και τα δύο σας χέρια ελεύθερα για να χειριζέστε το εργαλείο.

3. Ασφαλίστε τον τροχό αποκοπής προσεκτικά.
4. Προσέχετε να μην κάνετε ζημιά στο αξόνιο, στις φλάντζες (ειδικά στην επιφάνεια εγκατάστασης) ή στο μπουλόνι, διαφορετικά ο ίδιος ο τροχός αποκοπής μπορεί να σπάσει.
5. Κρατάτε τους προφυλακτήρες στη θέση τους και σε καλή κατάσταση.
6. Κρατάτε τη χειρολαβή σταθερά.
7. Κρατάτε τα χέρια σας μακριά από τα περιστρεφόμενα μέρη.
8. Φροντίστε ο τροχός αποκοπής να μην έρχεται σε επαφή με το τεμάχιο εργασίας πριν από την ενεργοποίηση του διακόπτη.
9. Πριν από κάθε χρήση, παρακολουθήστε για τρεμουλιίσματα ή υπερβολικές δονήσεις που μπορεί να προκαλούνται από κακή τοποθέτηση ή κακή εξισορρόπηση του τροχού.
10. Αφαιρέστε υλικά ή απορρίμματα από το χώρο που μπορεί να αναπλεγούν από τους σπινθήρες. Βεβαιωθείτε ότι κανείς δεν βρίσκεται στη τροχιά των σπινθήρων. Κρατάτε διαθέσιμο κοντά, ένα κατάλληλο, φορτισμένο πυροσβεστήρα.
11. Αν ο τροχός αποκοπής σταματάει κατά τη λειτουργία, κάνει αλλόκοτο θόρυβο ή αρχίζει να δονείται, σβήστε αμέσως το εργαλείο.
12. Να σβήνετε πάντα τον τροχό αποκοπής και να περιμένετε να ακινητοποιηθεί τελείως πριν τον αφαιρέσετε, στερεώσετε το τεμάχιο εργασίας, χειριστείτε τη μέγκνη, αλλάξτε θέση εργασίας, γωνία ή τον ίδιο το τροχό αποκοπής.
13. Μην πνάνετε το τεμάχιο εργασίας αμέσως μετά τη λειτουργία επειδή είναι εξαιρετικά θερμό και μπορεί να σας προκαλέσει εγκαύματα.
14. Αποθηκεύετε τροχούς μόνο σε χώρους χωρίς υγρασία.

ΦΥΛΑΞΕΤΕ ΑΥΤΕΣ ΤΙΣ ΟΔΗΓΙΕΣ.

ΤΟΠΟΘΕΤΗΣΗ

▲ΠΡΟΕΙΔΟΠΟΙΗΣΗ: Αυτό το εργαλείο παράγει σπινθήρες όταν κόβετε ένα τεμάχιο εργασίας. Μην τοποθετείτε αυτό το εργαλείο σε μέρος όπου μπορεί να αναπλεγούν εύφλεκτα ή/και εκρηκτικά υλικά από σπινθήρες από το εργαλείο. Επίσης, βεβαιωθείτε ότι δεν υπάρχουν τέτοια υλικά κοντά στο εργαλείο πριν ξεκινήσετε τη λειτουργία.

Ασφάλιση της βάσης

Το εργαλείο αυτό πρέπει να είναι βιδωμένο με δύο μπουλόνια σε μια επίπεδη και σταθερή επιφάνεια χρησιμοποιώντας τις τρύπες για μπουλόνια που παρέχονται στη βάση του εργαλείου. Αυτό θα συμβάλλει στην αποφυγή της ανατροπής του εργαλείου και πιθανού προσωπικού τραυματισμού.

► **Εικ.1:** 1. Τρύπες για μπουλόνια 2. Βάση

ΠΕΡΙΓΡΑΦΗ ΛΕΙΤΟΥΡΓΙΑΣ

▲ΠΡΟΣΟΧΗ: Να βεβαιώνεστε πάντα ότι το εργαλείο είναι σβηστό και αποσυνδεδεμένο από την ηλεκτρική παροχή πριν ρυθμίσετε ή ελέγχετε κάποια λειτουργία του.

Απασφάλιση/Ασφάλιση της κεφαλής εργαλείου

Η κεφαλή εργαλείου μπορεί να ασφαλιστεί. Να ασφαλίσετε πάντα την κεφαλή εργαλείου όταν δεν χρησιμοποιείται ή όταν μεταφέρεται.

Για το LW1400

Για απασφάλιση, πατήστε λίγο την κεφαλή εργαλείου και ωθήστε τον πείρο ασφάλισης. Για ασφάλιση, επιστρέψτε τον πείρο ασφάλισης ενώ κρατάτε κάτω την κεφαλή εργαλείου.

► **Εικ.2:** 1. Πείρος ασφάλισης

Για το LW1401

Απασφαλίστε την αλυσίδα ασφάλισης από το γάντζο. Να τοποθετείτε πάντα την αλυσίδα ασφάλισης στο γάντζο όταν δεν την χρησιμοποιείτε.

► **Εικ.3:** 1. Γάντζος 2. Αλυσίδα ασφάλισης

Δράση διακόπτη

▲ΠΡΟΕΙΔΟΠΟΙΗΣΗ: Πριν από τη σύνδεση του εργαλείου στην ηλεκτρική παροχή, να ελέγχετε πάντα ότι η σκανδάλη διακόπτης ενεργοποιείται σωστά και επιστρέφει στη θέση «OFF» όταν την αφήνετε.

► **Εικ.4:** 1. Κουμπί ασφάλισης / Κουμπί απασφάλισης
2. Σκανδάλη διακόπτης

Για εργαλείο με κουμπί ασφάλισης

Για να ξεκινήσετε το εργαλείο, απλώς τραβήξτε τη σκανδάλη διακόπτη. Για διακοπή της λειτουργίας, ελευθερώστε τη σκανδάλη διακόπτη. Για συνεχόμενη λειτουργία, τραβήξτε τη σκανδάλη διακόπτη, πατήστε το κουμπί ασφάλισης και μετά αφήστε τη σκανδάλη διακόπτη. Για να σταματήσετε το εργαλείο από την κλειδωμένη θέση, τραβήξτε πλήρως τη σκανδάλη διακόπτη και κατόπιν αφήστε την.

▲ΠΡΟΣΟΧΗ: Ο διακόπτης μπορεί να ασφαλιστεί στη θέση «ENERGO» για πιο άνετη λειτουργία από το χρήστη κατά τη διάρκεια παρατεταμένης χρήσης. Να είστε προσεκτικοί όταν ασφαλίσετε το εργαλείο στη θέση «ENERGO» και να κρατάτε το εργαλείο σταθερά.

Για εργαλείο με κουμπί κλειδώματος

Για να μην πιέζεται η σκανδάλη διακόπτης κατά λάθος, παρέχεται ένα κουμπί κλειδώματος. Για να ξεκινήσετε τη λειτουργία του εργαλείου, πατήστε το κουμπί κλειδώματος και πατήστε τη σκανδάλη διακόπτη. Για διακοπή της λειτουργίας, ελευθερώστε τη σκανδάλη διακόπτη.

▲ ΠΡΟΕΙΔΟΠΟΙΗΣΗ: Μην παρακάμψετε ΠΟΤΕ το κουμπί απασφάλισης συγκρατώντας το πιεσμένο με αυτοκόλλητη ταινία ή άλλο μέσο. Ένας διακόπτης με παραβιασμένο κουμπί απασφάλισης μπορεί να προκαλέσει ακούσια λειτουργία και σοβαρό ατομικό τραυματισμό.

▲ ΠΡΟΕΙΔΟΠΟΙΗΣΗ: Μη χρησιμοποιείτε ΠΟΤΕ το εργαλείο αν μπορείτε να το θέσετε σε λειτουργία πιέζοντας απλά τη σκανδάλη διακόπτη, χωρίς να πατήσετε και το κουμπί απασφάλισης. Ένας διακόπτης που απαιτεί επισκευή μπορεί να προκαλέσει ακούσια λειτουργία και σοβαρό ατομικό τραυματισμό. Στείλτε το εργαλείο σε κέντρο εξυπηρέτησης της Makita για να το επισκευάσουν σωστά ΠΡΙΝ το χρησιμοποιήσετε ξανά.

ΕΙΔΟΠΟΙΗΣΗ: Μην τραβάτε τη σκανδάλη διακόπτη δυνατά χωρίς να πατήσετε μέσα το κουμπί απασφάλισης. Αυτό μπορεί να προκαλέσει βλάβη του διακόπτη.

Διάστημα μεταξύ μέγκενης και πλάκας οδηγού

▲ ΠΡΟΣΟΧΗ: Αφού ρυθμίσετε το διάστημα μεταξύ μέγκενης και πλάκας οδηγού, βεβαιωθείτε ότι η πλάκα οδηγός είναι κατάλληλα ασφαλισμένη. Η ανεπαρκής στερέωση μπορεί να οδηγήσει σε προσωπικό τραυματισμό.

Οι ακόλουθες ρυθμίσεις διαστήματος της μέγκενης είναι δυνατές:

- 0 - 170 mm (αρχική ρύθμιση)
- 35 - 205 mm
- 70 - 240 mm

Αν η εργασία σας απαιτεί διαφορετική ρύθμιση, προχωρήστε ως ακολούθως για να αλλάξετε την απόσταση ή το διάστημα.

Για το LW1400

Χαλαρώστε τη βίδα στην πλάκα οδηγού. Μετακινήστε την πλάκα οδηγού στην επιθυμητή θέση και μετά σφίξτε τη βίδα.

► **Εικ.5:** 1. Βίδα 2. Πλάκα οδηγός

Για το LW1401

Αφαιρέστε τα δύο εξαγωνικά μπουλόνια χρησιμοποιώντας κόιλο κλειδί. Μετακινήστε την πλάκα οδηγού στην επιθυμητή θέση και στερεώστε τη με τα εξαγωνικά μπουλόνια.

► **Εικ.6:** 1. Πλάκα οδηγός 2. Εξαγωνικά μπουλόνια

Ρύθμιση της γωνίας κοπής

▲ ΠΡΟΣΟΧΗ: Αφού ρυθμίσετε τη γωνία της πλάκας οδηγού, βεβαιωθείτε ότι η πλάκα οδηγού είναι κατάλληλα ασφαλισμένη. Η ανεπαρκής στερέωση μπορεί να οδηγήσει σε προσωπικό τραυματισμό.

▲ ΠΡΟΣΟΧΗ: Μη χρησιμοποιείτε το εργαλείο όταν το υλικό δεν είναι καλά ασφαλισμένο στη μέγκενη λόγω της γωνίας κοπής.

Για το LW1400

Περιστρέψτε το μοχλό αριστερόστροφα. Μετακινήστε την πλάκα οδηγού στην επιθυμητή γωνία και σφίξτε πλήρως το μοχλό.

► **Εικ.7:** 1. Πλάκα οδηγός 2. Μοχλός

Για το LW1401

ΕΙΔΟΠΟΙΗΣΗ: Όταν πραγματοποιείται δεξιάς λοξές κοπές, να ρυθμίζετε πάντα την πλάκα οδηγού στη θέση 0 - 170 mm. Η ρύθμιση στη θέση 35 - 205 mm ή 70 - 240 mm εμποδίζει την κίνηση της πλάκας αναστολής, γεγονός που έχει ως αποτέλεσμα αποτυχημένη κοπή.

Χαλαρώστε τα δύο εξαγωνικά μπουλόνια χρησιμοποιώντας κόιλο κλειδί. Περιστρέψτε την πλάκα οδηγού στην επιθυμητή γωνία και στερεώστε τη με τα εξαγωνικά μπουλόνια. Προσέξτε ώστε να μη μετακινήσετε τη ρυθμισμένη γωνία ενώ ασφαλίσετε τα εξαγωνικά μπουλόνια.

► **Εικ.8:** 1. Πλάκα οδηγός 2. Εξαγωνικά μπουλόνια

ΠΑΡΑΤΗΡΗΣΗ: Η κλίμακα στην πλάκα οδηγού είναι μια πρόχειρη ένδειξη. Για πιο ακριβή γωνία, χρησιμοποιήστε μοιρογνωμόνιο ή τριγωνικό χάρακα. Διατηρήστε τη χειρολαβή προς τα κάτω ώστε ο τροχός αποκοπής να ετεκτείνεται στη βάση. Ταυτόχρονα, ρυθμίστε τη γωνία μεταξύ της πλάκας οδηγού και του τροχού αποκοπής με μοιρογνωμόνιο ή τριγωνικό χάρακα.

Ρύθμιση προφυλακτήρα σπινθήρων

Για το LW1401 μόνο (ειδικό της χώρας)

► **Εικ.9:** 1. Βίδα 2. Προφυλακτήρας σπινθήρων

Ο προφυλακτήρας σπινθήρων τοποθετείται από το εργοστάσιο με τη χαμηλότερη άκρη του να εφάπτεται στη βάση. Η λειτουργία του εργαλείου σε αυτή τη θέση θα έχει ως αποτέλεσμα να πεταχτούν πολλοί σπινθήρες. Χαλαρώστε τη βίδα και ρυθμίστε τον προφυλακτήρα σπινθήρων σε μια θέση όπου θα πετάγονται ελάχιστα σπινθήρες.

Πλάκα αναστολής

Για το LW1401 μόνο (ειδικό της χώρας)

► **Εικ.10:** 1. Πλάκα αναστολής

Η πλάκα αναστολής εμποδίζει την επαφή του τροχού αποκοπής με τον πάγκο ή το δάπεδο. Όταν τοποθετείται καινούριος τροχός αποκοπής, ρυθμίστε την πλάκα αναστολής στη θέση (Α). Όταν ο τροχός αποκοπής φθαρεί στο σημείο που το κάτω τμήμα του τεμαχίου εργασίας παραμένει άκοπο, ρυθμίστε την πλάκα αναστολής στη θέση (Β) για να επιτραπεί αυξημένη δυνατότητα κοπής με φθαρμένο τροχό.

ΣΥΝΑΡΜΟΛΟΓΗΣΗ

▲ ΠΡΟΣΟΧΗ: Να βεβαιώνετε πάντα ότι το εργαλείο είναι εσρατό και αποσυνδεδεμένο από την ηλεκτρική παροχή πριν εκτελέσετε οποιαδήποτε εργασία σε αυτό.

Άνοιγμα του προφυλακτήρα ασφάλειας τύπου κεντρικού καττακιού

Ειδικό της χώρας

Για τα εργαλεία που είναι εξοπλισμένα με προφυλακτήρα ασφάλειας τύπου κεντρικού καττακιού, χαλαρώστε πρώτα τη βίδα σύσφιξης και μετά σηκώστε τον προφυλακτήρα.

► **Εικ.11:** 1. Βίδα σύσφιξης

Άνοιγμα προφυλακτήρα ασφάλειας ευρωπαϊκού τύπου

Ειδικό της χώρας

Για τα εργαλεία που είναι εξοπλισμένα με προφυλακτήρα ασφάλειας ευρωπαϊκού τύπου, χαλαρώστε πρώτα τη βίδα σύσφιξης και μετά ανοίξτε τον προφυλακτήρα όπως απεικονίζεται.

► **Εικ.12:** 1. Βίδα σύσφιξης

► **Εικ.13**

► **Εικ.14**

Αφαίρεση ή τοποθέτηση του τροχού αποκοπής

▲ ΠΡΟΣΟΧΗ: Βεβαιώνεστε να σφίξετε το αυτόματο κλειδωμα ή το εξαγωνικό μπουλόνι με ασφάλεια. Το ανεπαρκές σφίξιμο μπορεί να οδηγήσει σε σοβαρό τραυματισμό. Όταν σφίγγετε το εξαγωνικό μπουλόνι, χρησιμοποιήστε το κόλλο κλειδί που παρέχεται με το εργαλείο για να εξασφαλίσετε το κατάλληλο σφίξιμο.

▲ ΠΡΟΣΟΧΗ: Να χρησιμοποιείτε πάντα μόνο την κατάλληλη εσωτερική και εξωτερική φλάντζα που παρέχονται με το εργαλείο.

▲ ΠΡΟΣΟΧΗ: Να χαμηλώνετε πάντα τον προφυλακτήρα ασφάλειας αφού αντικαταστήσετε τον τροχό.

▲ ΠΡΟΣΟΧΗ: Να φοράτε γάντια κατά το χειρισμό των τροχών.

► **Εικ.15:** 1. Εσωτερική φλάντζα 2. Δακτύλιος 3. Στρογγυλός δακτύλιος 4. Τροχός αποκοπής 5. Εξωτερική φλάντζα 6. Αυτόματο κλειδωμα / Εξαγωνικό μπουλόνι

Για το LW1400

Ανεβάστε τον προφυλακτήρα ασφάλειας. Περιστρέψτε αριστερόστροφα το αυτόματο κλειδωμα, ενώ κρατάτε πατημένο το εξάρτημα κλειδώματος άξονα. Στη συνέχεια, αφαιρέστε το αυτόματο κλειδωμα, την εξωτερική φλάντζα και τον τροχό αποκοπής. Όταν αφαιρείτε τον τροχό αποκοπής, μην αφαιρέσετε την εσωτερική φλάντζα ούτε το δακτύλιο και το στρογγυλό δακτύλιο.

► **Εικ.16:** 1. Εξάρτημα κλειδώματος άξονα 2. Αυτόματο κλειδωμα

Για να τοποθετήσετε τον τροχό αποκοπής, ακολουθήστε τις διαδικασίες αφαίρεσης με αντίστροφη σειρά. Βεβαιωθείτε να προσαρμόσετε την οπή του τροχού αποκοπής στο δακτύλιο και να επιστρέψετε τον

προφυλακτήρα ασφάλειας.

Για το LW1401

Ανεβάστε τον προφυλακτήρα ασφάλειας. Περιστρέψτε αριστερόστροφα το εξαγωνικό μπουλόνι χρησιμοποιώντας κόλλο κλειδί, ενώ κρατάτε πατημένο το εξάρτημα κλειδώματος άξονα. Μετά, αφαιρέστε το εξαγωνικό μπουλόνι, την εξωτερική φλάντζα και τον τροχό.

► **Εικ.17:** 1. Εξάρτημα κλειδώματος άξονα 2. Εξαγωνικό μπουλόνι

Για να τοποθετήσετε τον τροχό, ακολουθήστε τις διαδικασίες αφαίρεσης αντίστροφα. Βεβαιωθείτε να προσαρμόσετε την οπή του τροχού αποκοπής στο δακτύλιο και να επιστρέψετε τον προφυλακτήρα ασφάλειας.

ΛΕΙΤΟΥΡΓΙΑ

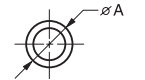
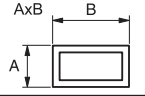
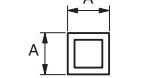
▲ ΠΡΟΣΟΧΗ: Η σωστή πίεση στη χειρολαβή κατά το κόψιμο και η μέγιστη επάρκεια κοπής μπορούν να προσδιοριστούν από την ποσότητα των σπινθήρων που παράγονται κατά το κόψιμο. Μην ζορίζετε το κόψιμο εφαρμόζοντας υπερβολική πίεση στη χειρολαβή. Αυτό μπορεί να προκαλέσει μειωμένη επάρκεια κοπής, πρόωρη φθορά τροχού, καθώς και πιθανή βλάβη του εργαλείου, του τροχού αποκοπής ή του τεμαχίου εργασίας.


Κρατάτε τη χειρολαβή σταθερά. Ενεργοποιήστε το εργαλείο και περιμένετε μέχρι ο τροχός αποκοπής να αποκτήσει πλήρη ταχύτητα πριν τον χαμηλώσετε απαλά στο κόψιμο. Όταν ο τροχός αποκοπής κάνει επαφή με το τεμάχιο εργασίας, πιέστε βαθμιαία προς τα κάτω τη χειρολαβή για να εκτελέσετε την κοπή. Όταν το κόψιμο ολοκληρωθεί, σβήστε το εργαλείο και περιμένετε μέχρι ο τροχός αποκοπής να σταματήσει τελείως πριν επαναφέρετε τη χειρολαβή στην πλήρως ανασηκωμένη θέση.

Ικανότητα κοπής

Η μέγιστη ικανότητα κοπής διαφέρει ανάλογα με τη γωνία κοπής και το σχήμα του τεμαχίου εργασίας.

Μέγ. χωρητικότητα κοπής με ολοκainουριο τροχό αποκοπής

Γωνία κοπής / Σχήμα τεμαχίου εργασίας	90°	45°
	127 mm	127 mm
	115 x 130 mm 102 x 194 mm 70 x 233 mm	115 x 103 mm
	119 x 119 mm	106 x 106 mm

Γωνία κοπής / Σχήμα τεμαχίου εργασίας	90°	45°
	137 x 137 x 10 mm	100 x 100 x 10 mm

Ασφάλιση τεμαχίου εργασίας

ΠΡΟΣΟΧΗ: Να θέτετε πάντα την υποδοχή σπειρώματος στα σπειρώματα άξονα όταν ασφαλίσετε το τεμάχιο εργασίας. Διαφορετικά μπορεί το τεμάχιο εργασίας να μη στερεωθεί επαρκώς. Αυτό μπορεί να προκαλέσει εκτόξευση του τεμαχίου εργασίας ή επικίνδυνη ζημιά του τροχού αποκοπής.

Ενν ανυψώνεται η υποδοχή σπειρώματος, η πλάκα μέγκενης μπορεί να μετακινηθεί μέσα και έξω γρήγορα. Για να συγκρατήσετε το τεμάχιο εργασίας, σπρώξτε τη χειρολαβή μέχρι η πλάκα μέγκενης να έρθει σε επαφή με το τεμάχιο εργασίας και μετά επιστρέψτε την υποδοχή σπειρώματος. Περιστρέψτε τη χειρολαβή δεξιόστροφα μέχρι να συγκρατείτε καλά το τεμάχιο εργασίας.

► **Εικ.18:** 1. Χειρολαβή 2. Υποδοχή σπειρώματος 3. Πλάκα μέγκενης

Όταν ο τροχός αποκοπής έχει φθαρεί σημαντικά, χρησιμοποιήστε ένα τάκο ρύθμισης απόστασης πίσω από το τεμάχιο εργασίας, όπως απεικονίζεται στην εικόνα. Μπορείτε να αξιοποιήσετε πιο αποδοτικά το φθαρμένο τροχό χρησιμοποιώντας το μεσαίο σημείο στην περιφέρεια του τροχού για να κόψετε το τεμάχιο εργασίας. Χρησιμοποιήστε ένα ανθεκτικό και μη εύφλεκτο υλικό για τάκο ρύθμισης απόστασης.

► **Εικ.19:** 1. Τάκος ρύθμισης απόστασης

Όταν κόβετε τεμάχια εργασίας που είναι μεγαλύτερα από 85 mm σε πλάτος υπό γωνία, συνάψτε ένα ίσιο κομμάτι ξύλου (τάκο ρύθμισης απόστασης), διαστάσεων μεγαλύτερων από 190 mm σε μήκος x 45 mm σε πλάτος, στην πλάκα οδηγό όπως απεικονίζεται στην εικόνα. Συνάψτε αυτόν τον τάκο ρύθμισης απόστασης με βίδες διαμέσου των τρυπών στην πλάκα οδηγό. Φροντίστε ο τροχός αποκοπής να μην έρχεται σε επαφή με τον τάκο ρύθμισης απόστασης όταν η κεφαλή εργαλείου είναι πατημένη.

► **Εικ.20:** 1. Πλάκα οδηγός 2. Τάκος ρύθμισης απόστασης (άνω των 190 mm σε μήκος x 45 mm σε πλάτος) 3. Τεμάχιο εργασίας (άνω των 85 mm σε πλάτος) 4. Πλάκα μέγκενης

► **Εικ.21**

Όταν ο τροχός αποκοπής έχει φθαρεί σημαντικά, σηκώστε τη θέση κοπή τοποθετώντας έναν τάκο ρύθμισης απόστασης που είναι λίγο στενότερος από το τεμάχιο εργασίας, όπως απεικονίζεται στην εικόνα. Αυτό θα συμβάλει στην οικονομική χρήση του τροχού αποκοπής.

► **Εικ.22:** 1. Πλάκα μέγκενης 2. Διάμετρος τεμαχίου εργασίας 3. Πλάκα οδηγός 4. Πλάτος τάκου ρύθμισης απόστασης

Μακριά τεμάχια εργασίας πρέπει να υποστηρίζονται από τάκους σε κάθε πλευρά έτσι ώστε να είναι ευθυγραμμισμένα με την κορυφή της βάσης. Χρησιμοποιήστε μη εύφλεκτο υλικό για τη τάκους

στηρίξεις.

► **Εικ.23:** 1. Τάκος υποστήριξης

Μεταφορά εργαλείου

Διπλώστε κάτω την κεφαλή εργαλείου και ασφαλίστε την. Κρατάτε τη χειρολαβή κατά τη μεταφορά.

► **Εικ.24**

ΣΥΝΤΗΡΗΣΗ

ΠΡΟΣΟΧΗ: Να βεβαιώνετε πάντα ότι το εργαλείο είναι σβηστό και αποσυνδεδεμένο από την ηλεκτρική παροχή πριν εκτελέσετε οποιαδήποτε εργασία επιθεώρησης ή συντήρησης σε αυτό.

ΕΙΔΟΠΟΙΗΣΗ: Μην χρησιμοποιείτε ποτέ βενζίνη, πετρελαϊκό αιθέρα, διαλυτικό, αλκοόλη ή παρόμοιες ουσίες. Μπορεί να προκληθεί αποχρωματισμός, παραμόρφωση ή ρωγμές.

Αντικατάσταση καρβουνακίου

► **Εικ.25:** 1. Σημάδι ορίου

Να ελέγχετε τα καρβουνάκια τακτικά. Αντικαταστήστε τα όταν φθαρούν μέχρι το σημάδι ορίου. Διατηρείτε τα καρβουνάκια καθαρά και ελεύθερα να γλιστρούν στις θήκες. Και τα δύο καρβουνάκια πρέπει να αντικαθίστανται ταυτόχρονα. Χρησιμοποιείτε μόνο καρβουνάκια ίδιου τύπου.

1. Χρησιμοποιήστε ένα κατασβίδι για να αφαιρέσετε τα καπάκια των θηκών καρβουνακίου.

2. Αφαιρέστε τα φθαρμένα καρβουνάκια, τοποθετήστε τα καινούρια και ασφαλίστε τα καπάκια των θηκών καρβουνακίου.

► **Εικ.26:** 1. Καπάκι θήκης καρβουνακίου

ΠΡΟΑΙΡΕΤΙΚΑ ΕΞΑΡΤΗΜΑΤΑ

ΠΡΟΣΟΧΗ: Αυτά τα εξαρτήματα ή προσαρτήματα συνιστώνται για χρήση με το εργαλείο Makita που περιγράφτηκε στις οδηγίες αυτές. Η χρήση οποιωνδήποτε άλλων εξαρτημάτων ή προσαρτημάτων μπορεί να προκαλέσει κίνδυνο τραυματισμού σε άτομα. Να χρησιμοποιείτε τα εξαρτήματα ή προσαρτήματα μόνο για την χρήση που προορίζονται.

Εάν χρειάζεστε οποιαδήποτε βοήθεια για περισσότερες πληροφορίες σε σχέση με αυτά τα εξαρτήματα, απαντηθείτε στο τοπικό σας κέντρο εξυπηρέτησης Makita.

- Λιπαντικό τροχού αποκοπής
- Κοίλο κλειδί (για το LW1401 μόνο)

ΠΑΡΑΤΗΡΗΣΗ: Μερικά στοιχεία στη λίστα μπορεί να συμπεριλαμβάνονται στη συσκευασία εργαλείου ως στάνταρ εξαρτήματα. Μπορεί να διαφέρουν ανάλογα με τη χώρα.

TEKNİK ÖZELLİKLER

Model:		LW1400	LW1401
Disk çapı		355 mm	
Maks. disk kalınlığı		3 mm	
Delik çapı		25,4 mm	
Yüksüz hız		3.800 min ⁻¹	
Ebat (U x G x Y)	Avrupa tipi emniyet kapağı ile birlikte	530 mm x 295 mm x 640 mm	500 mm x 295 mm x 640 mm
	Avrupa tipi olmayan emniyet kapağı ile birlikte	530 mm x 295 mm x 640 mm	500 mm x 290 mm x 620 mm
Net ağırlık	Avrupa tipi emniyet kapağı ve alt kapakla birlikte	18,7 kg	18,3 kg
Güvenlik sınıfı		II/III	

- Sürekli yapılan araştırma ve geliştirmelerden dolayı, burada belirtilen özellikler önceden bildirilmeksizin değiştirilebilir.
- Özellikler ülkeden ülkeye değişebilir.
- EPTA-Prosedürü 01/2014 uyarınca ağırlık
- Şekil ve ağırlık ülkeden ülkeye değişen teknik özelliklere bağlı olarak farklılık gösterir.

Kullanım amacı

Bu alet uygun aşındırıcı kesme diski ile demir malzemelerin kesilmesi için tasarlanmıştır. Ülkenizde toz ve iş yeri sağlığı ve güvenliğiyle ilgili tüm yasalara ve yönetmeliklere uyun.

Güç kaynağı

Aletin, yalnızca isim levhasında belirtilenle aynı voltajlı güç kaynağına bağlanması gerekir ve yalnızca tek fazlı AC güç kaynağıyla çalıştırılabilir. Çifte yalıtımlıdır ve topraklamasız prizlerle de kullanılabilir.

220 V ile 250 V arası umumi düşük voltaj dağıtım sistemleri için

Elektrikli aletlerin açma-kapama işlemleri voltaj dalgalanmalarına sebep olur. Ana şebekenin uygun olmadığı koşullarda, bu makinanın çalıştırılması diğer cihazların çalışması üzerinde ters etki yapabilir. Ana şebeke impedansının 0,18 Ohms'a eşit veya ondan daha küçük olması durumunda, ters etkilerin olmayacağı varsayılabilir. Bu makinanın bağlı olduğu ana şebeke prizi, yavaş tetikleme özellikleri olan bir sigorta veya koruyucu devre kesici ile korunmalıdır.

Gürültü

Tipik A-ağırlıklı gürültü düzeyi (EN62841-3-10 standardına göre belirlenen):

Model LW1400

Ses basınç seviyesi (L_{PA}): 102 dB (A)

Ses gücü düzeyi (L_{WA}): 110 dB (A)

Belirsizlik (K): 3 dB (A)

Model LW1401

Ses basınç seviyesi (L_{PA}): 102 dB (A)

Ses gücü düzeyi (L_{WA}): 110 dB (A)

Belirsizlik (K): 3 dB (A)

NOT: Beyan edilen gürültü emisyonu değer(ler) i bir standart test yöntemine uygun şekilde ölçülmüştür ve bir aleti bir başkasıyla karşılaştırmak için kullanılabilir.

NOT: Beyan edilen gürültü emisyonu değer(ler) i bir ön maruz kalma değerlendirmesi olarak da kullanılabilir.

UYARI: Kulak koruyucuları takın.

UYARI: Elektrikli aletin gerçek kullanımı sıradaki test yöntemine uygun şekilde ölçülmüştür ve bir aleti bir başkasıyla karşılaştırmak için kullanılabilir. Özellikle işlenen iş parçasının türüne bağlı olarak beyan edilen değer(ler)den farklı olabilir.

UYARI: Gerçek kullanım koşullarındaki tahmini maruziyeti baz alan, operatörü koruyacak güvenlik önlemlerini mutlaka belirleyin (çalışma döngüsü içerisinde aletin kapalı olduğu ve aktif durumda olmasının yanı sıra boşta çalıştığı zamanlar gibi, bütün zaman dilimleri göz önünde bulundurarak).

Titreşim

Titreşim toplam değeri (üç eksenli vektör toplamı) (EN62841-3-10 standardına göre hesaplanan):

Model LW1400

Titreşim emisyonu (a_h): 2,5 m/s²den az

Belirsizlik (K) : 1,5 m/s²

Model LW1401

Titreşim emisyonu (a_h): 2,5 m/s²den az

Belirsizlik (K) : 1,5 m/s²

NOT: Beyan edilen titreşim toplam değeri bir standart test yöntemine uygun şekilde ölçülmüştür ve bir aleti bir başkasıyla karşılaştırmak için kullanılabilir.

NOT: Beyan edilen titreşim toplam değeri bir ön maruz kalma değerlendirilmesi olarak da kullanılabilir.

UYARI: Elektrikli aletin gerçek kullanımı sırasındaki titreşim emisyonu, aletin kullanım biçimlerine, özellikle işlenen iş parçasının türüne bağlı olarak beyan edilen değeri(ler)den farklı olabilir.

UYARI: Gerçek kullanım koşullarındaki tahmini maruziyeti baz alan, operatörü koruyacak güvenlik önlemlerini mutlaka belirleyin (çalışma döngüsü içerisinde aletin kapalı olduğu ve aktif durumda olmasının yanı sıra boşta çalıştığı zamanlar gibi, bütün zaman dilimleri göz önünde bulundurarak).

Uygunluk Beyanları

Sadece Avrupa ülkeleri için

Uygunluk beyanları bu kullanma kılavuzuna Ek A olarak eklenmiştir.

Genel elektrikli alet güvenliği uyarıları

UYARI Bu elektrikli aletle birlikte verilen tüm güvenlik uyarılarını, talimatları, resimli açıklamaları ve teknik özellikleri okuyun. Aşağıda listelenen talimatların herhangi birine uyulmaması elektrik çarpması, yangın ve/veya ciddi yaralanma ile sonuçlanabilir.

Tüm uyarıları ve talimatları ile-ride başvurmak için saklayın.

Uyarılardaki "elektrikli alet" terimi ile ya prizden çalışan (kordonlu) elektrikli aletiniz ya da kendi aküsü ile çalışan (kordsuz) elektrikli aletiniz kastedilmektedir.

Kesme makinası güvenlik uyarıları

- Kendinizi ve etrafınızdaki diğer kişileri dönen diskin düzleminden uzak tutun.** Siper, operatörü kırık disk parçalarından ve diske kazayla temas etmekten korur.
- Elektrikli aletiniz için sadece bağlı, takviyeli kesme diskleri kullanın.** Bir aksesuarın elektrikli aletinize takılabiliyor olması, tek başına onun güvenli çalışacağını garanti etmez.
- Aksesuarın nominal hızı en azından elektrikli aletin üstünde belirtilen maksimum hıza eşit olmalıdır.** Nominal hızlarından daha hızlı çalışan aksesuarlar kırılabilir ve fırlayabilir.
- Diskler sadece tavsiye edilen uygulamalar için kullanılmalıdır.** Örneğin bir kesme diskinin yan tarafıyla taşıma yapmayın. Aşındırıcı kesme diskleri çevresel aşındırmaya yöneliktir, bu disklere etki eden yan kuvvetler parçalanmalarına neden olabilir.
- Daima, seçtiğiniz diskiniz için doğru çapta, hasarsız disk flanşları kullanın.** Doğru disk flanşları diski destekleyerek, disk kırılması olasılığını azaltır.

- Aksesuarınızın dış çapı ve kalınlığı elektrikli aletinizin kapasite derecelendirmesi dahilinde olmalıdır.** Doğru boyutta olmayan aksesuarlar yeterince korunamayabilir ve kontrol edilemeyebilir.
- Disklerin ve flanşların malafa boyları elektrikli aletin miline tam olarak uymalıdır.** Malafa delikleri elektrikli alette monte edildiği donanımına uymayan diskler ve flanşlar dengesiz döner, aşırı titreşim yapar ve kontrolden çıkabilir.
- Hasarlı diskleri kullanmayın.** Her kullanımdan önce, disklerde çentik ve çatlak kontrolü yapın. Eğer elektrikli alet veya disk düşürülürse, hasar muayenesi yapın veya hasarsız bir disk takın. Bir disk muayene ettikten ve taktıktan sonra, kendinizi ve etrafınızdaki kişileri döner diskin düzleminden uzak tutun ve elektrikli aleti bir dakika kadar maksimum yüksüz hızda çalıştırın. Bu test çalıştırması sırasında hasarlı diskler normal olarak parçalanır.
- Kişisel koruyucu donanım kullanın.** Uygulamaya bağlı olarak yüz siperleri veya güvenlik gözlükleri kullanın. Uygun gürültüğü şekilde toz maskesi, kulak koruyucuları, eldiven ve küçük aşındırıcı parçaları veya iş parçasından kopan parçaları durdurabilecek iş önlüğü takın. Göz koruyucuları çeşitli işlemlerin üreteceği uçan kırıntıları durdurabilecek nitelikte olmalıdır. Toz maskesi veya solunum cihazı yaptığınız işlemin üreteceği küçük parçacıkları süzebilecek nitelikte olmalıdır. Uzun süre yüksek yoğunlukta gürültüye maruz kalmak işitme kaybına neden olabilir.
- Etrafınızdaki kişilerin iş sahasından güvenli bir uzaklıkta durmasını sağlayın.** İş sahasına giren herkes kişisel koruyucu ekipmanlar giymelidir. Kırılan bir diskin veya iş parçasının kırıkları uzağa fırlayıp, çalışma yerinin ötesinde yaralanmalara neden olabilir.
- Kordonu döner aksesuarın uzakta tutun.** Eğer kontrolü kaybederseniz, kordon kesilebilir veya takılabilir ve eliniz ya da kolunuz döner diske doğru çekilebilir.
- Elektrikli aletin havalandırma deliklerini düzenli olarak temizleyin.** Motorun fanı tozu gövdenin içine çekebilir ve aşırı toz metal birikimi elektrik tehlikelerine neden olabilir.
- Elektrikli aleti tutuşabilen malzemelerin yakınında kullanmayın.** Elektrikli aleti ahşap gibi yanıcı bir maddenin üzerine yerleştirilmiş halde çalıştırmayın. Kıvılcımlar bu malzemeleri tutuşturabilir.
- Sıvı soğutucu gerektiren aksesuarlar kullanmayın.** Su veya diğer sıvı soğutucuların kullanılması elektrik çarpmasına veya şokuna neden olabilir.

Geri tepme ve ilgili uyarılar

Geri tepme döner diskin sıkışmasına veya takılmasına ani bir tepkidir. Sıkışma veya takılma, dönen diskin aniden durmasına, bu da kesici ünitenin kontrol edilemeyerek operatör yönünde yukarı doğru zorlanmasına sebep olur.

Örneğin, eğer bir aşındırıcı disk iş parçasına takılır veya sıkışır, sıkışma noktasına giren diskin kenarı malzeme yüzeyine batarak, diskin dışarı tırmanmasına veya tepmesine neden olabilir. Bu koşullarda aşındırıcı

diskler kırılabilir de.

Geri tepme elektrikli aletin yanlış kullanılmasının ve/veya yanlış kullanım usulleri veya koşullarının bir sonucudur ve aşağıda belirtildiği gibi doğru önlemlerle önlenebilir.

1. **Elektrikli aleti daima sıkıca kavrayın ve vücudunuzun ve kolunuzun duruşunu geri tepme kuvvetlerine direnç gösterecek şekilde ayarlayın.** Doğru önlemler alınırsa, operatör yukarı doğru geri tepme gücünü kontrol edebilir.
2. **Vücudunuzu dönen diskle aynı hizada tutmayın.** Geri tepme meydana gelirse, kesici ünite operatör yönünde yukarı doğru fırlar.
3. **Testere zinciri, oyma bıçağı, 10 mm’den fazla periferik boşluklu segmentli elmas disk ya da dişli testere bıçağı takmayın.** Bu bıçaklar sıkça geri tepme ve kontrol kaybı yaratır.
4. **Disk “sıkıştırmayın” ya da aşırı basınç uygulamayın. Aşırı derinlikte bir kesme yapmaya çalışmayın.** Diskin aşırı zorlanması yükü ve diskini kesik içinde bükülme veya takılma olasılığını arttırarak, geri tepmeye veya diskini kırılmasına neden olabilir.
5. **Disk takıldığı veya herhangi bir nedenle kesmeyi durdurduğu zaman, elektrikli aleti kapatın ve disk tamamen duruncaya kadar kesici üniteyi hareketsiz şekilde tutun.** Disk hareket halindeyken onu kesinlikle keskin çıkarmaya çalışmayın aksi takdirde geri tepme oluşabilir. Diskin takılma nedenini araştırıp, ortadan kaldırmak için düzeltici işlemleri yapın.
6. **İş parçasında kesme işlemine yeniden başlamayın. Diskin tam hıza ulaşmasını bekleyin ve dikkatli şekilde tekrar kesişe geçirin.** Elektrikli alet iş parçası içinde tekrar çalıştırılırsa, disk takılabilir, yukarı tırmanabilir veya geri tepebilir.
7. **Diskin takılması veya geri tepme riskini en az indirmek için çok büyük iş parçalarını destekleyin.** Büyük iş parçaları kendi ağırlıkları altında bel vermeye meyillidir. Destekler diskini her iki yanında kesme hattına ve iş parçasının kenarına yakın olarak, iş parçasının altına yerleştirilmelidir.

Ek güvenlik uyarıları

1. **Çalışma sırasında sıçrayan kıvılcımlara dikkat edin.** Kıvılcıklar, yaralanmalara ya da yanıcı maddelerin tutuşmasına neden olabilir.
2. **İş parçasını sabitleyin.** Elverişli durumlarda iş parçasını desteklemek için klemp veya menegene kullanın. Bunu yapmak elinizi kullanmaktan daha güvenlidir, çünkü böylece iki eliniz de serbest kalacağından aleti iki elle kullanabilirsiniz.
3. **Kesme diskini dikkatlice sabitleyin.**
4. **Mile, flanşlara (özellikle montaj yüzeyine) ya da civataya hasar vermeye dikkat edin, aksi takdirde kesme diskini kendisi kırılabilir.**
5. **Kapakların yerinde ve çalışır halde olmasını sağlayın.**
6. **Tutamağı sıkıca tutun.**
7. **Ellerinizi dönen parçalardan uzak tutun.**
8. **Alet çalıştırılmadan önce kesme diskini iş parçasına değmediğinden emin olun.**
9. **Her kullanımdan önce, hatalı montaj ya da diskini tam dengede olmamasından kaynaklanabilecek sallanma ya da aşırı titreşim olup**

olmadığına dikkat edin.

10. **Kıvılcıkların tutuşturabileceği malzeme ya da talaşları ortadan kaldırın.** Kıvılcıkların yakınında başka insanların olmadığından emin olun. Yakınızdaki uygun, dolu bir yangın söndürücü bulundurun.
11. **Kesme diski çalışma sırasında durursa, garip sesler çıkarır ya da titremeye başlarsa aleti hemen kapatın.**
12. **İş parçasını çıkarmadan ya da sabitlemeden önce, mengeneyle çalışmadan önce, çalışma konumunu, açısını ya da kesme diskinin kendisini değiştirmeden önce cihazı daima kapatın ve kesme diskini tamamen durmasını bekleyin.**
13. **Çalışma biter bitmez iş parçasına dokunmayın; aşırı sıcaktır ve cildinizi yakabilir.**
14. **Diskleri sadece kuru bir yerde saklayın.**

BU TALİMATLARI MUHAFAZA EDİNİZ.

KURULUM

⚠UYARI: Bu alet bir iş parçasını keserken kıvılcım üretir. Bu aleti, aletten çıkan kıvılcıklarla tutuşabilecek yanıcı ve/veya patlayıcı malzemelerin olduğu yerlere kurmayın. Ayrıca çalışmaya başlamadan önce aletin yanında böyle bir malzeme olmadığından emin olun.

Tabanın sabitlemesi

Bu alet, aletin tabanındaki civata delikleri kullanılarak, iki civatayla düz ve dengeli bir yüzeye sabitlenmelidir. Bu, devrilmeyi ve olası kişisel yaralanmaları önlemeye yardımcı olur.

► **Şek.1:** 1. Civata delikleri 2. Taban

İŞLEVSEL NİTELİKLER

⚠DİKKAT: Alet üzerinde ayarlama ya da işleşi kontrolü yapmadan önce aletin kapalı ve fişinin çekili olduğundan daima emin olun.

Alet kafasının kilidinin açılması/kilitlenmesi

Alet kafası kilitlenebilir. Kullanımda değilken ya da taşırken, alet kafasını daima kilitleyin.

LW1400 için

Kilidi açmak için, alet kafasına hafifçe bastırın ve kilit pimini itin. Kilitlemek için, alet kafasını aşağıda tutarken kilit pimini önceki haline döndürün.

► **Şek.2:** 1. Kilit pimi

LW1401 için

Kilit zincirini kancadan çıkarın. Kullanımda değilken kilit zincirini daima kancaya asın.

► **Şek.3:** 1. Kanca 2. Kilit zinciri

Anahtar işlemleri

⚠UYARI: Aleti fişe takmadan önce anahtar tetiğinin doğru çalıştığından ve bırakıldığında “OFF” (kapalı) konumuna döndüğünden emin olun.

► **Şek.4:** 1. Kilitleme düğmesi / Güvenlik kilidi düğmesi 2. Anahtar tetik

Kilitleme düğmeli aletler için

Makinayı çalıştırmak için anahtar tetiği çekin. Durdurmak için anahtar tetiği serbest bırakın. Sürekli işletmek için, anahtar tetiği çekin, kilitleme düğmesine basın ve sonra anahtar tetiği serbest bırakın. Aleti kilitleti pozisyonundan çıkarmak için, anahtar tetiği tamamen çekip sonra serbest bırakın.

⚠DİKKAT: Uzun süreli kullanım sırasında kullanıcının rahatlığı için anahtar “ON” (açık) konumuna kilitlenebilir. Anahtar “ON” (açık) konumunda kilitliken dikkatli olun ve aleti sıkı kavrayın.

Güvenlik kilidi düğmeli aletler için

Anahtar tetiğinin yanlışlıkla çekilmesini önlemek için bir güvenlik kilidi düğmesi sağlanmıştır. Aleti başlatmak için, güvenlik kilidi düğmesine bastırın ve anahtar tetiği çekin. Durdurmak için anahtar tetiği serbest bırakın.

⚠UYARI: Güvenlik kilidi düğmesini ASLA bantlayarak ya da başka bir yöntemle devre dışı bırakmaya çalışmayın. Güvenlik kilidi düğmesi devre dışı bırakılmış bir anahtar, istem dışı çalışmaya ve ciddi kişisel yaralanmalara neden olabilir.

⚠UYARI: Güvenlik kilidi düğmesine basmadan sadece anahtar tetik çekildiğinde çalışan bir aleti ASLA kullanmayın. Tamir edilmesi gereken bir anahtar, istem dışı çalışmaya ve ciddi kişisel yaralanmalara neden olabilir. Daha fazla kullanmadan ÖNCE doğru bir şekilde tamir ettirmek için aleti bir Makita servisine götürün.

ÖNEMLİ NOT: Güvenlik kilidi düğmesine basmadan anahtar tetiği sıkıca çekmeyin. Bu, anahtarın kırılmasına neden olabilir.

Mengene ve kılavuz plaka arasındaki aralık

⚠DİKKAT: Mengene ve kılavuz plaka arasındaki aralığı ayarladıktan sonra, kılavuz plakanın düzgün bir şekilde sabitlendiğinden emin olun. Yetersiz sabitleme kişisel yaralanmalara neden olabilir.

Mengene için aşağıdaki aralık ayarları kullanılabilir:

- 0 - 170 mm (orijinal ayar)
- 35 - 205 mm
- 70 - 240 mm

Yaptığınız çalışma farklı bir ayar gerektiriyorsa, boşluğu ya da aralığı değiştirmek için aşağıdaki işlemleri yapın.

LW1400 için

Kılavuz plaka üzerindeki vidayı gevşetin. Kılavuz plakayı istenilen konuma taşıyın ve daha sonra vidayı sıkın.

► **Şek.5:** 1. Vida 2. Kılavuz plaka

LW1401 için

Bir lokma anahtarını kullanarak altıgen başlı iki civatayı sökün. Kılavuz plakayı istenilen konuma taşıyın ve altıgen başlı civatalarla sabitleyin.

► **Şek.6:** 1. Kılavuz plaka 2. Altıgen başlı civatalar

Kesme açısı ayarı

⚠DİKKAT: Kılavuz plakanın açısını ayarladıktan sonra, kılavuz plakanın düzgün bir şekilde sabitlendiğinden emin olun. Yetersiz sabitleme kişisel yaralanmalara neden olabilir.

⚠DİKKAT: Kesme açısından dolayı, malzeme mengene ile sağlam bir şekilde sabitlenemediğinde aleti kullanmayın.

LW1400 için

Kolu saatin aksi yönde çevirin. Kılavuz plakayı istenilen açığa getirin ve kolu tamamen sıkın.

► **Şek.7:** 1. Kılavuz plaka 2. Kol

LW1401 için

ÖNEMLİ NOT: Sağ gönye kesme yaparken, kılavuz plakayı daima 0 - 170 mm konumuna ayarlayın. 35 - 205 mm veya 70 - 240 mm konumuna ayarlamak durdurucu plakanın hareketini engelleyebilir, bu da hatalı kesime neden olur.

Bir lokma anahtarını kullanarak altıgen başlı iki civatayı gevşetin. Kılavuz plakayı istenilen açığa döndürün ve altıgen başlı civatalarla sabitleyin. Altıgen başlı civataları sabitlerken ayar açısını hareket ettirmemeye dikkat edin.

► **Şek.8:** 1. Kılavuz plaka 2. Altıgen başlı civatalar

NOT: Kılavuz plaka üzerindeki ölçek sadece kaba bir göstergedir. Daha doğru bir açı için, bir açı ölçer ya da üçgen cetvel kullanın. Kesme diskinin tabana doğru uzanması için tutamağı aşağıda tutun. Aynı anda, kılavuz plaka ile kesme diski arasındaki açıyı bir açı ölçer ya da üçgen cetvelle ölçerek ayarlayın.

Kıvılcıma karşı koruyucunun ayarlanması

Sadece LW1401 için (ülkeye özgü)

► **Şek.9:** 1. Vida 2. Kıvılcıma karşı koruyucu

Kıvılcıma karşı koruyucu, alt kenarı tabana temas edecek şekilde fabrikada monte edilmiştir. Alet bu konumda çalıştırılırsa, yoğun kıvılcımlar etrafta uçuşur. Vidayı gevşetin ve kıvılcıma karşı koruyucuyu en az sayıda kıvılcım etrafta uçuşacak konuma getirin.

Durdurucu plaka

Sadece LW1401 için (ülkeye özgü)

► **Şek.10:** 1. Durdurucu plaka

Durdurucu plaka, kesme diskinin tezgaha ya da zemine temas etmesini önler. Yeni bir kesme diski takıldığında

durdurucu plakayı (A) konumuna ayarlayın. Kesme diski, iş parçasının alt kısmı kesilmeden kalacak kadar aşındığında, aşınmış bir disk için artırılmış kesme kapasitesine izin vermek için, durdurucu plakayı (B) konumuna ayarlayın.

MONTAJ

⚠ DİKKAT: Alet üzerinde herhangi bir iş yapmadan önce aletin kapalı ve fişinin çekili olduğundan daima emin olun.

Orta kapaklı tip emniyet kapağının açılması

Ülkeye özgü

Orta kapaklı tip emniyet kapağıyla donatılmış aletler için, önce sıkıştırma vidasını gevşetin, sonra kapağı kaldırın.

► **Şek.11:** 1. Sıkıştırma vidası

Avrupa tipi emniyet kapağının açılması

Ülkeye özgü

Avrupa tipi emniyet kapağıyla donatılmış aletler için, önce sıkıştırma vidasını gevşetin, sonra gösterildiği gibi kapağı açın.

► **Şek.12:** 1. Sıkıştırma vidası

► **Şek.13**

► **Şek.14**

Kesme diskinin çıkarılması veya takılması

⚠ DİKKAT: Aletsiz kelepçe veya altıgen başlı civatanın iyice sıkılmış olduğundan emin olun. Yetersiz sıkılma ciddi yaralanmalara neden olabilir. Altıgen başlı civatayı sıkılarken, düzgün sıkılmayı temin etmek için aletle birlikte verilen lokma anahtarını kullanın.

⚠ DİKKAT: Daima sadece bu aletle birlikte temin edilen uygun iç ve dış flanşları kullanın.

⚠ DİKKAT: Diski yerine yerleştirdikten sonra emniyet kapağını daima alçaltın.

⚠ DİKKAT: Diskler üzerinde işlem yaparken eldiven kullanın.

► **Şek.15:** 1. İç flanş 2. Bilezik 3. O-halka 4. Kesme diski 5. Dış flanş 6. Aletsiz kelepçe / Altıgen başlı civata

LW1400 için

Emniyet kapağını kaldırın. Şaft kilidini aşağıda tutarak aletsiz kelepçeyi saatin aksi yönde çevirin. Ardından, aletsiz kelepçeyi, dış flanşı ve kesme diskinin çıkarın. Kesme diskinin çıkarırken iç flanşı, bileziği ve O-halkayı sökmeyin.

► **Şek.16:** 1. Şaft kilidi 2. Aletsiz kelepçe

Kesme diskinin takmak için, sökme işlemini tersinden uygulayın. Kesme diskinin deliğinin bileziğe oturduğundan emin olun ve emniyet kapağını geri takın.

LW1401 için

Emniyet kapağını kaldırın. Şaft kilidini aşağıda tutarak altıgen başlı civatayı bir lokma anahtarı kullanarak saatin aksi yönde çevirin. Ardından altıgen başlı civatayı, dış flanşı ve diski sökün.

► **Şek.17:** 1. Şaft kilidi 2. Altıgen başlı civata

Diski takmak için, sökme işlemini tersinden uygulayın. Kesme diskinin deliğinin bileziğe oturduğundan emin olun ve emniyet kapağını geri takın.

KULLANIM

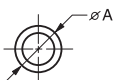
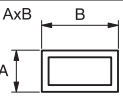
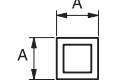

⚠ DİKKAT: Kesme işlemi sırasında tutamağa uygulanacak olan uygun baskı ve maksimum kesme verimi, kesme sırasında meydana gelen kuvülcüm miktarına bakarak belirlenebilir. Tutamak üzerine aşırı baskı uygulayarak kesimi zorlamayın. Kesme veriminde düşüş, diskte erken aşınma ve ayrıca alette, kesme diskinde ya da iş parçasında olası bir hasar meydana gelebilir.

Tutamağı sıkıca tutun. Aleti çalıştırın, kesimin içine yavaşça indirmeden önce kesme diskinin tam hıza ulaşmasını bekleyin. Kesme diski iş parçasına temas edince, kesme işlemini gerçekleştirmek için tutamağın üzerine kademeli olarak bastırın. Kesme işlemi tamamlanınca, aleti kapatın ve tutamağı tam yukarı konuma geri getirmeden önce kesme diski tamamen durana kadar bekleyin.

Kesme kapasitesi

Maksimum kesme kapasitesi, kesme açısına ve iş parçasının şekline bağlı olarak değişir.

İlk kez kullanılacak yeni bir kesme diskinin maksimum kesme kapasitesi

Kesme açısı / İş parçasının şekli	90°	45°
	127 mm	127 mm
	115 x 130 mm 102 x 194 mm 70 x 233 mm	115 x 103 mm
	119 x 119 mm	106 x 106 mm
	137 x 137 x 10 mm	100 x 100 x 10 mm

İş parçasının sabitlenmesi

⚠ DİKKAT: İş parçasını sabitlerken dış tutucuyu daima şaft dişlerinin üzerine yerleştirin. Bunun yapılmaması, iş parçasının yeterince sabitlenmemesine neden olabilir. Bu da iş parçasının fırlayıp atılmasına ya da kesme diskinin tehlikeli şekilde kırılmasına sebep olabilir.

Diş tutucu kalkık durumdayken, mengene plakası hızlı bir şekilde içeri ve dışarı hareket ettirilebilir. Bir iş parçasını tutmak için, mengene plakası iş parçasıyla temas edene kadar tutamağı itin, ardından diş tutucuyu geri yerleştirin. İş parçası sıkı bir şekilde tutulana kadar tutamağı saat yönünde döndürün.

► **Şek.18:** 1. Tutamak 2. Diş tutucu 3. Mengene plakası

Kesme diski büyük ölçüde aşındığı zaman, iş parçasının arkasına resimde gösterildiği gibi bir ara blok yerleştirin. İş parçasını kesmek için disk çevresinin orta noktasını kullanarak, aşınmış diski daha verimli kullanabilirsiniz. Ara blok olarak sağlam ve yanmaz bir malzeme kullanın.

► **Şek.19:** 1. Ara blok

85 mm'den daha geniş parçaları belli bir açıda keserken, 190 mm uzunluk ve 45 mm genişliğin üzerinde ahşap ve düz bir parçayı (ara parça) şekilde görüldüğü gibi kılavuz plakaya takın. Bu ara parçayı, vidaları kullanarak kılavuz plakadaki deliklere tespit edin. Alet kafasına bastırırken kesme diskinin ara parçaya temas etmediğinden emin olun.

► **Şek.20:** 1. Kılavuz plaka 2. Ara blok (190 mm uzunluk ve 45 mm genişliğin üzerinde)
3. İş parçası (85 mm genişliğin üzerinde)
4. Kılavuz plakası

► **Şek.21**

Kesme diski aşındığı zaman, iş parçasının arkasına resimde gösterildiği gibi iş parçasından biraz daha dar bir ara blok yerleştirerek kesme konumunu yükseltin. Bu, kesme diskinin tasarruflu bir şekilde kullanmanıza yardımcı olur.

► **Şek.22:** 1. Mengene plakası 2. İş parçasının çapı
3. Kılavuz plaka 4. Ara bloğun genişliği

Uzun iş parçalarının tabanın üstüyle hizalı olması için, her iki tarafından bloklarla desteklenmesi gerekir. Destekleyici blok olarak yanmaz malzeme kullanın.

► **Şek.23:** 1. Destekleyici blok

Aletin taşınması

Alet kafasını aşağı doğru katlayın ve kilitleyin. Taşırken tutamaktan tutun.

► **Şek.24**

BAKIM

⚠ DİKKAT: Muayene ya da bakım yapmadan önce aletin kapalı ve fişinin çekili olduğundan daima emin olun.

ÖNEMLİ NOT: Benzin, tiner, alkol ve benzeri maddeleri kesinlikle kullanmayın. Renk değişimi, deformasyon veya çatlaklar oluşabilir.

Karbon fırçaların değiştirilmesi

► **Şek.25:** 1. Sınır işareti

Karbon fırçaları düzenli olarak kontrol edin. Sınır işaretine kadar yıprandıkları zaman değiştirin. Karbon fırçaların temiz ve yuvaları içinde serbestçe kayar durumda kalmalarını sağlayın. Her iki karbon fırça aynı zamanda değiştirilmelidir. Sadece birbirinin aynısı olan karbon fırçaları kullanın.

1. Fırça tutucu kapaklarını çıkarmak için bir tornavida kullanın.

2. Aşınmış karbon fırçalarını çıkarıp yenilerini takın ve fırça tutucu kapaklarını sabitleyin.

► **Şek.26:** 1. Fırça tutucu kapağı

İSTEĞE BAĞLI AKSESUARLAR

⚠ DİKKAT: Bu aksesuarlar ve ek parçalar bu el kitabında belirtilen Makita aletiniz ile kullanılmak için tavsiye edilmektedir. Herhangi başka bir aksesuar ya da ek parça kullanılması insanlar için bir yaralanma riski getirebilir. Aksesuarları ya da ek parçaları yalnızca belirtilmiş olan kullanım amaçlarına uygun olarak kullanın.

Bu aksesuarlarla ilgili daha fazla bilgiye ihtiyaç duyar-sanız bulunduğunuz yerdeki yetkili Makita servisine başvurun.

- Aşındırıcı kesme diskleri
- Lokma anahtarı (sadece LW1401 için)

NOT: Listedeki parçaların bazıları alet paketi içerisinde standart aksesuar olarak dahil edilmiş olabilir. Bunlar ülkeden ülkeye farklılık gösterebilir.

Makita Europe N.V.

Jan-Baptist Vinkstraat 2, 3070 Kortenberg, Belgium

Makita Corporation

3-11-8, Sumiyoshi-cho, Anjo, Aichi 446-8502 Japan

www.makita.com



885456E993
EN, FR, DE, IT, NL,
ES, PT, EL, TR
20241028