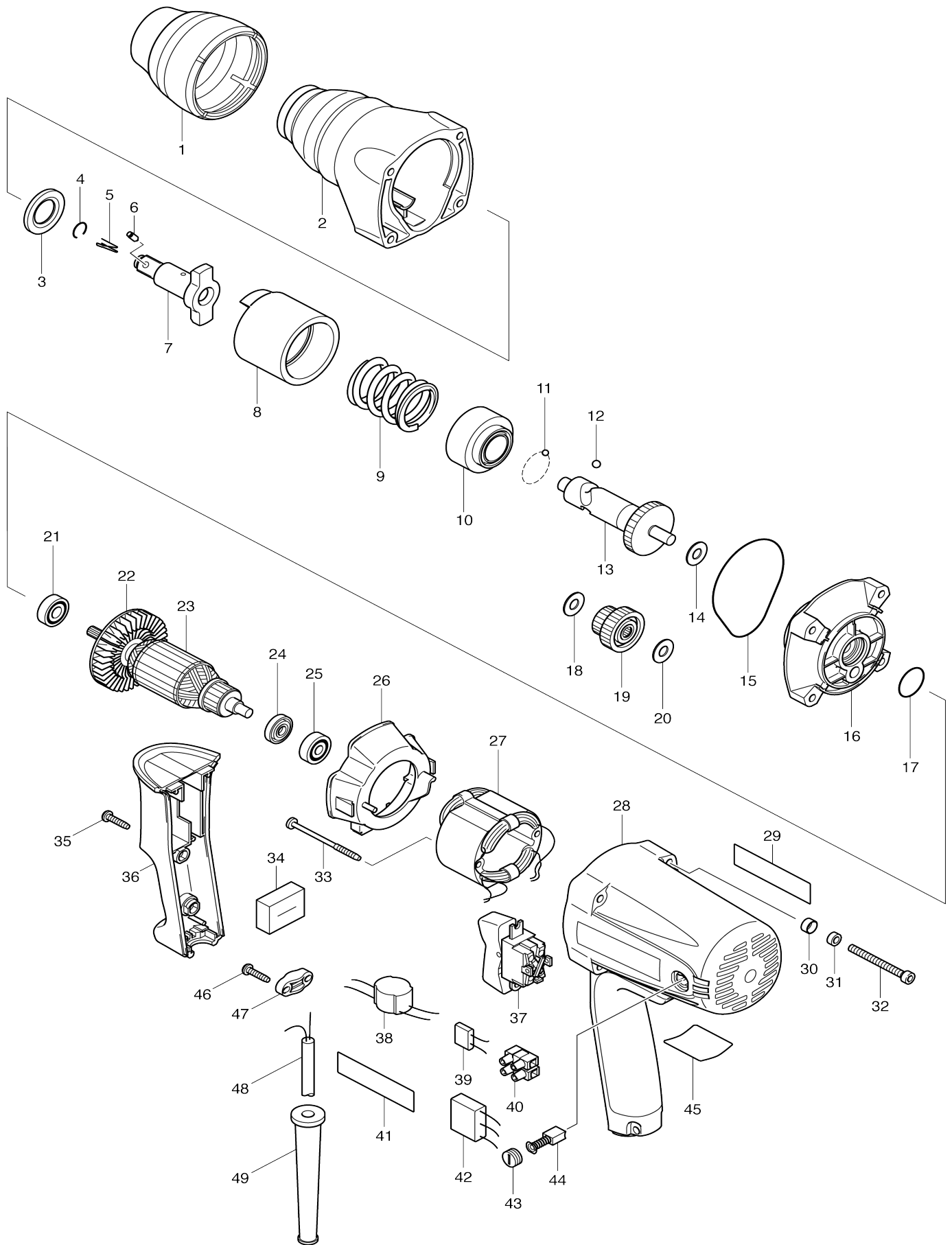


Model No.TW0350 IMPACT WRENCH



Model No.TW0350 IMPACT WRENCH

Item No.	Parts No.	Description	Interchangability	Q'ty	New/Old	Note1	Note2
001	421837-6	BUMPER		1			
002	153623-4	HAMMER CASE COMPLETE		1			
C10	213257-6	OIL SEAL 18		1			
C20	321119-5	SLEEVE 18		1			
003	267268-3	FLAT WASHER 19		1			
004	231907-1	RING SPRING 10		1			
007	324406-1	ANVIL		1	*		
007-1	326983-9	ANVIL	<	1			
008	324336-6	HAMMER		1			
009	233383-5	COMPRESSION SPRING 28		1			
010	313115-7	SPRING HOLDER		1			
011	216008-6	STEEL BALL 4		19			
012	216007-8	STEEL BALL 6.4		2			
013	324338-2	SPINDLE		1			
014	253139-0	FLAT WASHER 8		1			
015	421838-4	SEAL RING		1			
016	153624-2	HAMMER CASE COVER COMPLETE		1			
017	213373-4	O RING 22		1			
018	253139-0	FLAT WASHER 8		1			
019	153626-8	SPUR GEAR 19-41 COMPLETE		1			
020	253139-0	FLAT WASHER 8		1			
021	210024-0	BALL BEARING 608LLU		1			
022	241884-9	FAN 60		1			
023	515263-0	ARMATURE ASS'Y 220-240V		1			
023		INC. 21,22,24,25					
024	681614-0	INSULATION WASHER		1			
025	210025-8	BALL BEARING 627LLB		1			
026	418180-2	BAFFLE PLATE		1			
027	528179-0	FIELD ASS'Y 220-240V		1			
C10	654100-4	RING TERMINAL		2			
C20	654501-6	CONNECTOR P-1.25		2			
028	183604-4	MOTOR HOUSING		1	*		
C10	643455-2	BRUSH HOLDER 6X9		2	*		
028		INC. 29,41			*		
028-1	153625-0	MOTOR HOUSING	O	1			
C10	643455-2	BRUSH HOLDER 6X9		2	*		
C11	643858-0	BRUSH HOLDER 6X9	O	2			
029	819064-1	MAKITA MARK		1	*		
030	253929-1	CUP WASHER 5		4			
031	262001-8	URETHANE RING 5		4			
032	266331-9	HEX. SOCKET HEAD BOLT M5X50		4			
033	266091-3	TAPPING SCREW 4X50		2			
034	685700-9	SPONGE SHEET		1			
035	265995-6	TAPPING SCREW 4X18		2			
036	418179-7	HANDLE COVER		1			
037	651572-4	SWITCH SL220SD-19		1	*		
037-1	651572-4	SWITCH SL220SD-19	O	1			

038	646325-4	LINE COIL		1	*		
038-1	646358-9	LINE COIL	O	1	*		
038-2	646358-9	LINE COIL	O	1			
039	646755-9	RESISTOR		1	*		
039-1	646755-9	RESISTOR	O	1			
040	654531-7	TERMINAL BLOCK 2P		1	*		
040-1	654741-6	TERMINAL BLOCK	O	1			
041	819064-1	MAKITA MARK		1	*		
042	645253-0	NOISE SUPPRESSOR		1			
043	643550-8	BRUSH HOLDER CAP 5-8		2			
044	191940-4	CARBON BRUSH CB-411		1	*		
044-1	195010-1	CARBON BRUSH SET CB-411	O	1			
045	850644-4	NAME PLATE TW0350		1			
046	265995-6	TAPPING SCREW 4X18		2			
047	687052-4	STRAIN RELIEF		1			
048	665865-3	POWER SUPPLY CORD 1.0-2-2.5		1			
049	682566-8	CORD GUARD 10		1			
A01	824702-2	PLASTIC CARRYING CASE		1			
C10	186347-7	SLIDE LATCH SET		1			
A02	134841-3	SOCKET 24-45 ASS'Y		1	*		
C10	213399-6	O-RING 25		1	*		
C20	268057-9	PIN 4		1	*		
A02-1	137071-5	SOCKET 24-38 ASS'Y		1			
C10	422B61-6	RUBBER RING23		1	*		
C11	B-54570	ORING 3PC SET 1/2" SQ 20-32M M	O	1			
C20	256A76-3	PIN 4		1	*		
C21	B-54617	PIN 3PC SET 1/2" SQ 20-32MM	O	1			
A03	821550-0	CONNECTOR PLASTIC CASE (TYP E2)		1			
C10	453974-8	LATCH		4			
A04	802U84-8	TW0350J INDICATION LABEL		1			
A05	802U85-6	TW0350J PLASTIC CASE LABEL		2			
A06	837870-2	INNER TRAY		1			
F28	195870-1	DRILL BIT REMOVER SET		1			

Please state Parts No. when your order.

Print Date 12/18/2024