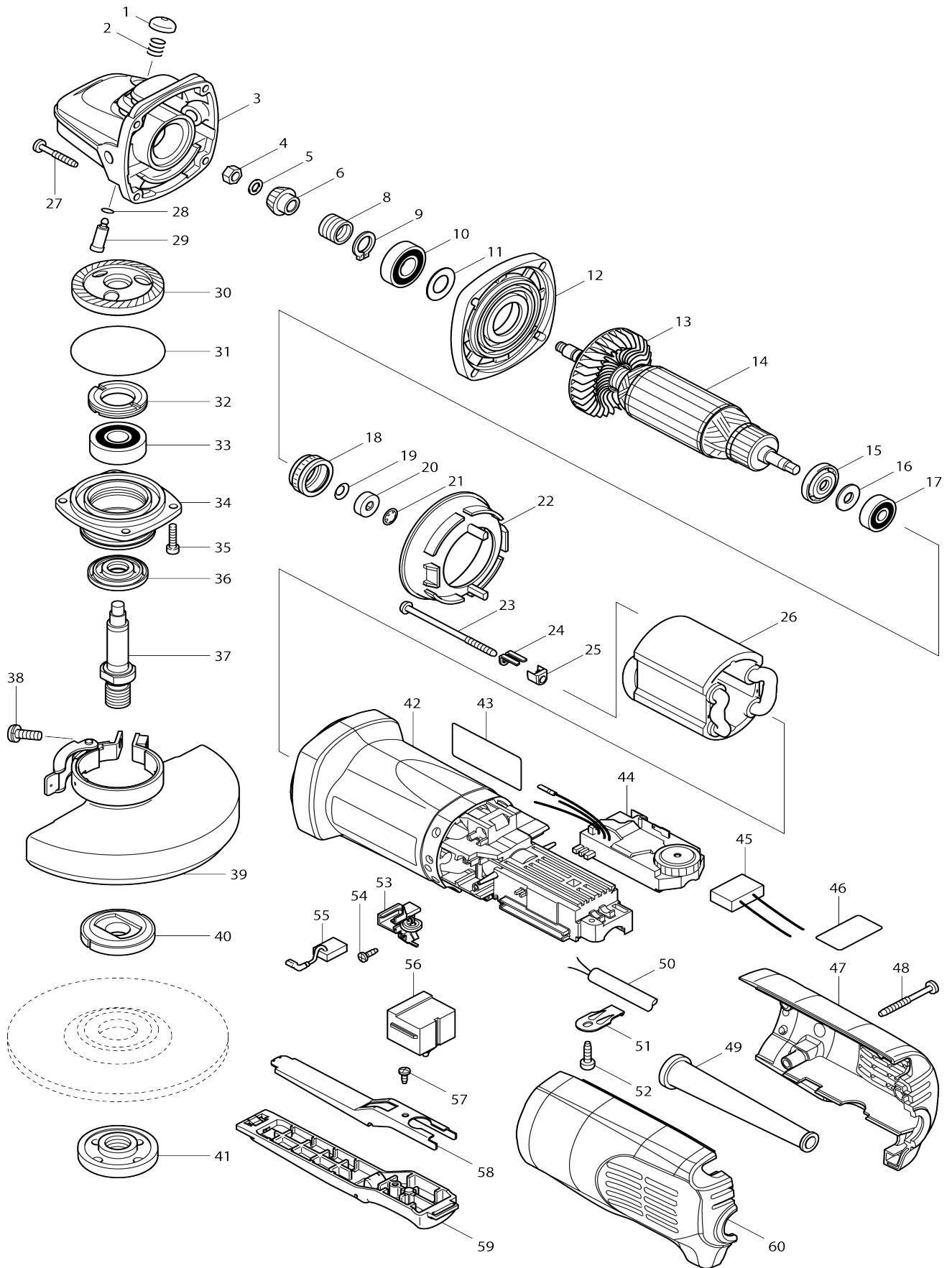


Model No.9565PCV 125MM ANGLE GRINDER



Model No.9565PCV 125MM ANGLE GRINDER

Item No.	Parts No.	Description	Interchangeability	Q'ty	New/Old	Note1	Note2
001	418067-8	PIN CAP		1			
002	233072-2	COMPRESSION SPRING 8		1	*		
002-1	233376-2	COMPRESSION SPRING 8	O	1			
003	153488-4	GEAR HOUSING COMPLETE		1			
004	931303-0	HEX. NUT M6		1			
005	253077-6	FLAT WASHER 6		1			
006	226794-1	SPIRAL BEVEL GEAR 11		1	*		
006-1	227513-8	SPIRAL BEVEL GEAR 11	S	1			
008	233901-9	LOCK SPRING 12		1			
009	961052-5	RETAINING RING (EXT) S-12		1			
010	210105-0	BALL BEARING 6001LLU		1			
011	253084-9	FLAT WASHER 12		1			
012	317359-1	GEAR HOUSING COVER		1			
013	240033-5	FAN 57		1			
014	515228-2	ARMATURE ASS'Y 220-240V		1			
014		INC. 13,15-17					
015	681656-4	INSULATION WASHER		1	*		
015-1	681656-4	INSULATION WASHER	O	1			
016	253823-7	FLAT WASHER 7		1			
017	210027-4	BALL BEARING 627DDW		1			
018	421738-8	LABYRINTH RUBBER RING 22		1	*		
018-1	422750-1	LABYRINTH RUBBER RING 22	<	1			
019	267756-0	WAVE WASHER 6		1			
020	688117-5	MAGNET SLEEVE		1			
021	259039-2	SELF LOCK 6		1			
022	413076-2	BAFFLE PLATE		1			
023	266258-3	TAPPING SCREW 4X70		2			
024	344871-8	RETAINER		2			
025	417237-6	INSULATION COVER		2	*		
026-1	626598-5	FIELD 220-240V		1	*		
026-2	621C48-3	FIELD 220-240V	S	1			
027	266257-5	TAPPING SCREW 4X28		4			
028	213048-5	O RING 6		1			
029	256459-1	PIN		1			
030	226795-9	SPIRAL BEVEL GEAR 38		1	*		
030-1	227514-6	SPIRAL BEVEL GEAR 38	S	1			
031	213673-2	O RING 52		1			
032	285841-7	BEARING RETAINER		1			
033	211129-9	BALL BEARING 6201DDW		1			
034-1	318302-3	BEARING BOX		1	*		
034-2	318334-0	BEARING BOX	S	1			
035	265490-6	HEX. SOCKET HEAD BOLT M4X16		4			
036	415300-9	LABYRINTH RING		1			
037	324035-0	SPINDLE		1			
038	251391-4	PAN HEAD SCREW M5X16		1	*		
038-1	265180-1	PAN HEAD SCREW M5X16	S	1			
039	135108-2	TOOLLESS WHEEL COVER 125 AS S'Y		1	*		

039		INC. 38			*		
039-1	135242-8	TOOLLESS WHEEL COVER 125 AS S'Y	S	1	*		
039-1		INC. 38			*		
039-2	122895-2	TOOLLESS WHEEL COVER 125K ASSY	<	1	*		
C10	213009-5	O RING 4		1	*		
039-2		INC. 38			*		
039-3	123145-8	TOOLLESS WHEELCOVER 125AK ASSY	<	1			
C10	213009-5	O RING 4		1	*		
039-3		INC. 38					
040	224415-9	INNER FLANGE 42		1			
041	224554-5	LOCK NUT 14-45		1			
042	450146-6	MOTOR HOUSING		1	*		
042-1	455358-6	MOTOR HOUSING	O	1			
043	864146-4	9565PCV NAME PLATE		1	*		
043-1	853519-0	9565PCV NAME PLATE	<	1			
044	631789-5	CONTROLLER		1			
045	645238-6	NOISE SUPPRESSOR		1			
046	816902-8	INDICATION LABEL		1	*		
046-1	816504-0	OPERATIONAL INDICATION LABEL	X	1			
047	188365-1	REAR COVER SET		1	*		
047		INC. 60			*		
047-1	183U29-8	REAR COVER SET	<	1			
047-1		INC. 60					
048	266048-4	TAPPING SCREW 4X40		3			
049	682559-5	CORD GUARD 8		1			
050	665394-6	POWER SUPPLY CORD 1.0-2-2.5		1			
051	687169-3	STRAIN RELIEF		1			
052	266192-7	TAPPING SCREW 4X14		1			
053	643760-7	BRUSH HOLDER		2			
054	266256-7	TAPPING SCREW PT3X10		4			
055	191978-9	A.C. CARBON BRUSH CB-318		1			
056	650579-7	SWITCH 1246.3223		1	*		
056-1	650579-7	SWITCH 1246.3223	O	1			
057	265954-0	TAPPING SCREW BIND PT3X8		1			
058	345504-8	PLATE		1			
059	154584-1	SWITCH LEVER B COMPLETE		1			
060	188365-1	REAR COVER SET		1	*		
060		INC. 47			*		
060-1	183U29-8	REAR COVER SET	<	1			
060-1		INC. 47					
061	819356-8	CLEAR LABEL		1	*		
061-1	805W66-1	CLEAR LABEL	O	1	*		
A01	162258-0	VIBRATION PROOF GRIP		1			
A02	D-18465	GRINDING WHEEL 125X6 A24R		1			
A03	782423-1	LOCK NUT WRENCH 35		1			
A13	199710-5	CUTTING W.C.A. 125 SET		1			
F03	192227-7	SUPER FLANGE		1			
F32-1	195239-9	115/125MM DUST COVER K SET	<	1	*		

F33	195446-4	DUST COVER ATTACHMENT SET		1			
F39	191W06-8	115/125MM DUST COVER K SET		1			
C10	743129-6	BRUSH A		1			
C20	743130-1	BRUSH B		1			

Please state Parts No. when your order.

Print Date 11/04/2024