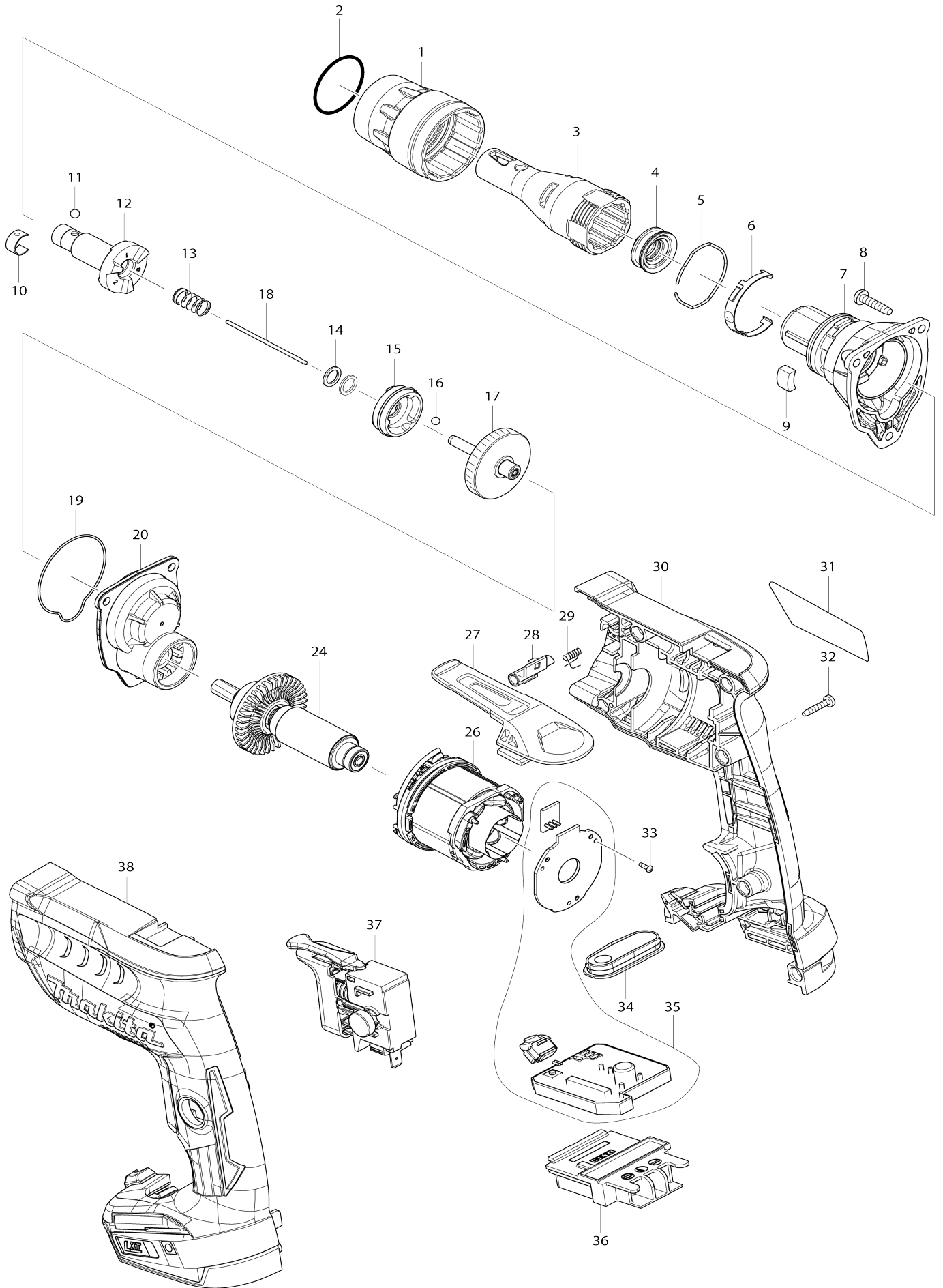


Model No.DFS452 CORDLESS SCREWDRIVER



Model No.DFS452 CORDLESS SCREWDRIVER

Item No.	Parts No.	Description	Interchangability	Q'ty	New/Old	Note1	Note2
001	455591-0	LOCK RING		1			
002	424235-3	SEAL RING 30		1			
003	158875-2	LOCATOR S COMPLETE		1			
004	424665-8	DUST SEAL SLEEVE		1			
005	234348-0	RING SPRING 30		1			
006	232245-4	LEAF SPRING		1			
007	142902-5	GEAR HOUSING COMPLETE		1			
C10	213796-6	OIL SEAL 11		1			
008	265995-6	TAPPING SCREW 4X18		3	*		
008-1	265A48-7	TAPPING SCREW 4X18	O	3			
009	423413-2	RUBBER PLATE		1			
010	232050-9	LEAF SPRING		1			
011	216001-0	STEEL BALL 3.5		1			
012	142903-3	SPINDLE 125S COMPLETE		1			
013	234121-8	COMPRESSION SPRING 8		1			
014	267202-3	FLAT WASHER 8		2			
015	223181-5	CLUTCH CAM 125S		1			
016	216008-6	STEEL BALL 4		3			
017	142904-1	GEAR COMPLETE		1			
C10	424663-2	SEAL		1			
018	268325-0	ROD 2		1			
019	424664-0	SEAL RING		1			
020	142909-1	GEAR HOUSING COVER COMPLETE		1			
024	519355-7	ROTOR ASS'Y		1	*		
024-1	510472-6	ROTOR ASS'Y	O	1	*		
024-2	519664-4	ROTOR ASS'Y	O	1			
026	629135-4	STATOR		1			
027	162272-6	HOOK		1			
028	142908-3	LEVER COMPLETE		1	*		
028-1	140M84-5	LEVER COMPLETE	<	1			
029	233619-2	TORSION SPRING 3		1			
030	187993-9	HOUSING SET		1			
C10	263005-3	RUBBER PIN 6		2			
D10		INC. 38					
031	850H34-9	DFS452 NAME PLATE		1			
032	266130-9	TAPPING SCREW BIND PT 3X16		7			
033	266490-9	TAPPING SCREW PT 2X6		3			
034	142905-9	SWITCH PLATE COMPLETE		1			
035	620349-8	CONTROLLER		1	*		
035-1	620360-0	CONTROLLER COMPLETE	S	1	*		
D10		INC. 36					
035-2	620J39-3	CONTROLLER COMPLETE	<	1	*		
C10	620J38-5	CONTROLLER		1	*		
D10		INC. 36					
035-3	620J38-5	CONTROLLER	>	1			
036	643860-3	TERMINAL		1	*		
036-1	643860-3	TERMINAL	O	1			

037	650733-3	SWITCH C3JW-4B-2L		1		
038	187993-9	HOUSING SET		1		
C10	263005-3	RUBBER PIN 6		2		
D10		INC. 30				
039	850H36-5	DFS452 SERIAL NO. LABEL		1		
A01	266622-8	+ TRUSS HEAD SCREW M4X12		1		
A02	346317-0	HOOK		1		
A03	784261-7	+BIT 2-25		2		
A04	784813-4	MAGNETIC BIT HOLDER 6.35-60		1		
B01	620J39-3	CONTROLLER COMPLETE		1		
D10		INC. 35,36				
E01	688161-2	LINE FILTER		1		
F06-3	197606-4	BATTERY BL1830B SET (2PIECES)	O	1		
F09-3	197600-6	BATTERY BL1830B SET	O	1		
F10-4	197599-5	BATTERY BL1830B SET	O	1		
F11-1	196235-0	BATTERY BL1815N SET	O	1		
F12-1	196397-4	BATTERY BL1840 SET	O	1		
F13-1	196399-0	BATTERY BL1840 SET	O	1		
F14-1	196405-1	BATTERY BL1840 SET (2PIECES)	O	1		
F15-1	196449-1	BATTERY BL1815N SET	O	1		
F25	199156-5	SQUARE BIT 2-130 SET		1		
F28-2	191L24-0	AUTOFEED ATTACHMENT SET	<	1		
F34-1	191L23-2	AUTOFEED ATTACHMENT SET	<	1		
A05	821550-0	CONNECTOR PLASTIC CASE (TYP E2)		1		
C10	453974-8	LATCH		4		
A06	839737-0	INNER TRAY		1	*	
A06-1	836101-6	INNER TRAY	<	1		
A07	817X35-6	DFS452ZJX2 INDICATION LABEL		1		
A08	817M42-3	DFS452ZJX2 PLASTIC CASE LABEL		2		
A09	126853-0	AUTOFEED ATTACHMENT		1	*	
A09-1	127625-6	AUTOFEED ATTACHMENT	<	1	*	
A09-2	127687-4	AUTOFEED ATTACHMENT	<	1		
A10	140B28-9	+ BIT 2-130 COMPLETE		1		
A07	818K26-2	DFS452ZJX3 INDICATION LABEL		1		
A08	818K25-4	DFS452ZJX3 PLASTIC CASE LABEL		2		
A10	199155-7	+ BIT 2-130 SET		2		
A02	346449-3	HOOK		1		
A07	197254-9	BATTERY BL1820B SET		1		

Please state Parts No. when your order.

Print Date 25/10/2023