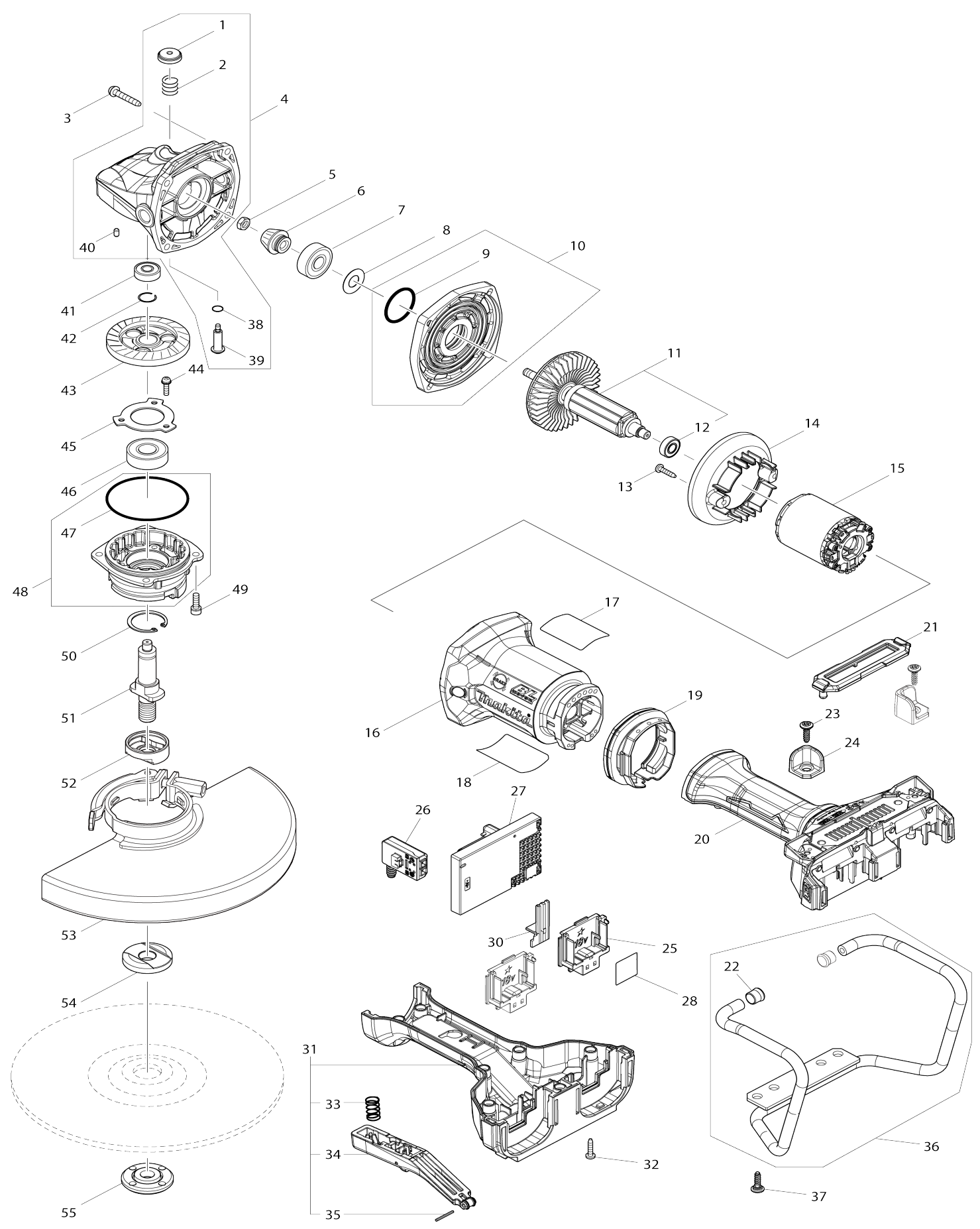


Model No.DGA900 230MM CORDLESS ANGLE GRINDER



Model No.DGA900 230MM CORDLESS ANGLE GRINDER

Item No.	Parts No.	Description	Interchangability	Q'ty	New/Old	Note1	Note2
001	451485-7	PIN CAP		1			
002	233089-5	COMPRESSION SPRING 12		1			
003	266173-1	TAPPING SCREW 5X30		4			
004	135918-7	GEAR HOUSING ASS'Y		1			
D10		INC. 1,2,38-40					
005	264010-3	HEX.NUT M7		1			
006	227563-3	SPIRAL BEVEL GEAR 10B		1			
007	211137-0	BALL BEARING 6201LLU		1			
008	253759-0	FLAT WASHER 12		1			
009	213459-4	O RING 32		1			
010	135916-1	GEAR HOUSING COVER ASS'Y		1			
D10		INC. 9					
011	519436-7	ROTOR ASS'Y		1	*		
D10		INC. 12					
011-1	519436-7	ROTOR ASS'Y	O	1			
D10		INC. 12					
012	211166-3	BALL BEARING 698DDW		1			
013	266326-2	TAPPING SCREW 4X18		2			
014	457618-2	BAFFLE PLATE		1			
015	629260-1	STATOR		1	*		
015-1	629B80-5	STATOR	S	1			
016	457615-8	MOTOR HOUSING		1			
018	853J89-5	DGA900 NAME PLATE		1			
019	457619-0	VIBRATION PROOF RUBBER		1			
020	135920-0	HANDLE SWITCH LEVER ASS'Y		1	*		
C10	263005-3	RUBBER PIN 6		4	*		
D10		INC. 31,33-35					
020-1	136109-3	HANDLE SWITCH LEVER ASS'Y	<	1			
C10	263005-3	RUBBER PIN 6		4			
D10		INC. 31,33-35					
021	457620-5	DUST COVER		1			
022	422230-7	CAP		2			
023	251587-7	H.L.TAPPING SCREW 5X18		2			
024	327048-0	PROTECTION BLOCK		2	*		
024-1	347482-8	PROTECTION BLOCK	O	2			
025	644809-6	TERMINAL		2			
026	651083-9	SWITCH C3XA-1PSPM		1			
027	135935-7	CONTROLLER ASSEMBLY		1	*		
027-1	136845-1	CONTROLLER ASSEMBLY	<	1			
028	853J94-2	DGA900 SERIAL NO. LABEL		1			
030	457621-3	LENS		1			
031	135920-0	HANDLE SWITCH LEVER ASS'Y		1	*		
C10	263005-3	RUBBER PIN 6		4	*		
D10		INC. 20,33-35					
031-1	136109-3	HANDLE SWITCH LEVER ASS'Y	<	1			
C10	263005-3	RUBBER PIN 6		4			
D10		INC. 20,33-35					

032	265999-8	TAPPING SCREW 4X25		7		
033	234357-9	COMPRESSION SPRING 11		1		
034	144584-9	SWITCH LEVER COMPLETE		1		
035	951019-1	SPRING PIN 2-20		1		
036	135919-5	GUARD PIPE ASS'Y		1		
D10		INC. 22				
037	251587-7	H.L.TAPPING SCREW 5X18		4		
038	213026-5	O RING 7		1		
039	256516-5	SHOULDER PIN 11		1		
040	263002-9	RUBBER PIN 4		1		
041	210029-0	BALL BEARING 608ZZ		1		
042	233925-5	RING SPRING 13		1		
043	227561-7	SPIRAL BEVEL GEAR 49		1		
044	911128-8	P.H.SCREW M4X16 WITH WR		3		
045	285851-4	BEARING RETAINER		1		
046	211241-5	BALL BEARING 6202DDW		1		
047	213720-9	O RING 67		1		
048	135917-9	BEARING BOX ASS'Y		1		
D10		INC. 47				
049	922221-3	HEX. SOCKET HEAD BOLT M5X16		4		
050	962151-6	RETAINING RING R-32		1		
051	326963-5	SPINDLE		1		
052	310800-3	LEAD FLANGE		1		
053	122847-3	TOOLLESS WHEEL COVER 230K		1	*	
053-1	141P40-6	TOOLLESS WHEEL COVER 230K C MP	<	1		
C10	8050A1-8	CAUTION LABEL		1		
054	224447-6	INNER FLANGE 42B		1		
055	224485-8	LOCK NUT 14-45		1		
056	620L22-2	CONTROLLER B	S	1		
057	638A35-3	LEAD UNIT	S	1		
058	652119-7	PAN HEAD SCREW M2X6	S	6		
A01	162264-5	VIBRATION PROOF GRIP		1		
A02	782407-9	LOCK NUT WRENCH 35		1	*	
A02-1	782034-2	LOCK NUT WRENCH 35	O	1		
A09	122913-6	WHEEL COVER 230CK ASSEMBLY		1		
C10	213017-6	O RING 6		1	*	
C20	265198-2	+PAN HEAD SCREW M8X25		1		
F10	198678-2	INNER FLANGE 45CC SET		1		
F45	191X44-6	180MM DUST COLLECT COVER K SET		1		
A03	821717-0	PLASTIC CARRYING CASE		1		
C10	162271-8	LATCH		2		
A04	***DC18RD	DC18RD TWO PORT FAST CHARG ER		1		
A05	197280-8	BATTERY BL1850B SET		2	*	
A05-1	197280-8	BATTERY BL1850B SET	O	2		

Please state Parts No. when your order.

Print Date 09/07/2024