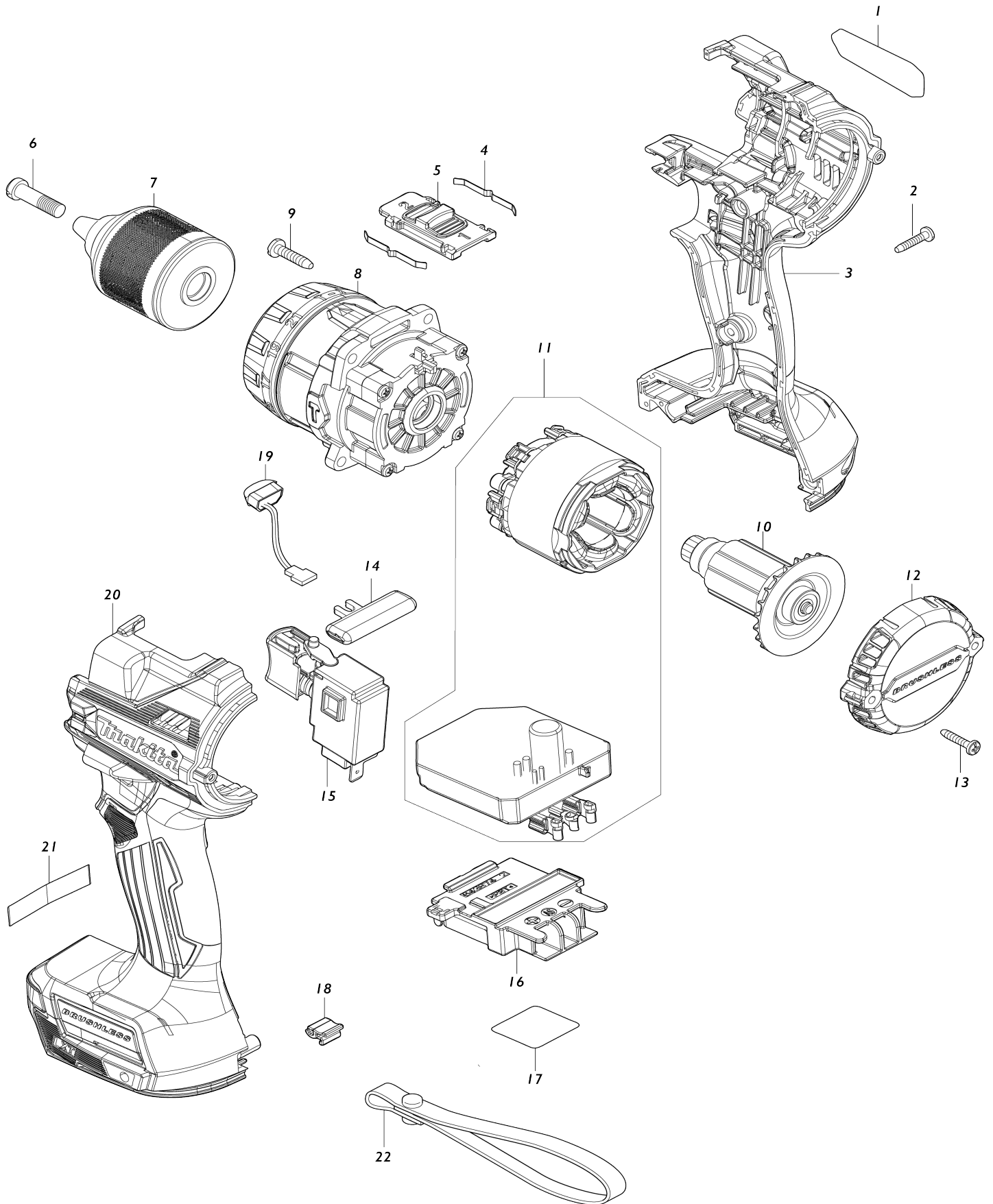


Model No.DHP486 CORDLESS HAMMER DRIVER DRILL



Model No.DHP486 CORDLESS HAMMER DRIVER DRILL

Item No.	Parts No.	Description	Interchangability	Q'ty	New/Old	Note1	Note2
001	811B29-1	DHP486 NAME PLATE		1			
002	266130-9	TAPPING SCREW BIND PT 3X16		7			
003	183R83-4	HOUSING SET		1			
C10	263005-3	RUBBER PIN 6		2			
C20	252126-6	HEX. LOCK NUT M4-7		2			
003		INC. 20					
004	232220-0	LEAF SPRING		2			
005	127494-5	SPEED CHANGE LEVER ASSEMBLY		1			
C10	233438-6	COMPRESSION SPRING 4		2			
006	251468-5	- FLAT HEAD SCREW M6X22		1			
007	763252-1	KEYLESS DRILL CHUCK 13		1			
008	127698-9	GEAR ASSEMBLY		1	*		
008-1	122A92-6	GEAR ASSEMBLY	<	1	*		
008-2	122B68-9	GEAR ASSEMBLY	<	1	*		
008-3	122D48-7	GEAR ASSEMBLY	O	1	*		
008-4	122H10-6	GEAR ASSEMBLY	<	1			
009	266326-2	TAPPING SCREW 4X18		4	*		
009-1	265B67-9	TAPPING SCREW 4X18	O	4			
010	619656-4	ROTOR		1	*		
010-1	619656-4	ROTOR	O	1			
011	629A33-8	STATOR COMPLETE		1	*		
011-1	629B79-0	STATOR COMPLETE	O	1	*		
011-2	629C05-5	STATOR COMPLETE	<	1	*		
011-3	629C97-4	STATOR COMPLETE	<	1	*		
011-4	629D26-3	STATOR COMPLETE	<	1	*		
011-5	629D46-7	STATOR COMPLETE	<	1			
012	413405-9	REAR COVER		1			
013	266130-9	TAPPING SCREW BIND PT 3X16		2			
014	419041-9	F/R CHANGE LEVER		1			
015	651443-5	SWITCH C3JR-4B		1			
016	643874-2	TERMINAL		1			
017	811B36-4	DHP486 SERIAL NO. LABEL		1			
018	424517-3	CUSHION		1			
019	620549-0	LED CIRCUIT		1			
020	183R83-4	HOUSING SET		1			
C10	263005-3	RUBBER PIN 6		2			
C20	252126-6	HEX. LOCK NUT M4-7		2			
020		INC. 3					
A01	122576-8	STOPPER POLE ASS'Y		1			
A02	127701-6	GRIP ASSEMBLY		1	*		
C10	140U91-6	POLE COMPLETE		1	*		
C20	140X19-2	ARM R COMPLETE		1	*		
C30	265785-7	THUMB SCREW M5X10		1	*		
C40	266886-4	HEX. BOLT M8X65		1	*		
C50	312A63-3	ARM L		1	*		
C60	931202-6	HEX. NUT M5		1	*		
C70	962055-2	RETAINING RING (INT) R-15		1	*		

A02-1	122C01-7	GRIP ASSEMBLY	<	1	*		
C10	140U91-6	POLE COMPLETE		1	*		
C20	140X19-2	ARM R COMPLETE		1	*		
C30	265785-7	THUMB SCREW M5X10		1	*		
C40	266886-4	HEX. BOLT M8X65		1	*		
C50	312C73-2	ARM L		1	*		
C60	931202-6	HEX. NUT M5		1	*		
C70	962055-2	RETAINING RING (INT) R-15		1	*		
A02-2	122D10-2	GRIP ASSEMBLY	O	1	*		
C10	140U91-6	POLE COMPLETE		1	*		
C20	140X19-2	ARM R COMPLETE		1	*		
C30	265C34-0	THUMB SCREW M5X10		1	*		
C40	266886-4	HEX. BOLT M8X65		1	*		
C50	312C73-2	ARM L		1	*		
C60	931202-6	HEX. NUT M5		1	*		
C70	962055-2	RETAINING RING (INT) R-15		1	*		
A02-3	122F12-0	GRIP ASSEMBLY	O	1			
C10	141R99-5	POLE COMPLETE		1			
C20	140X19-2	ARM R COMPLETE		1			
C30	265C34-0	THUMB SCREW M5X10		1			
C40	266886-4	HEX. BOLT M8X65		1			
C50	312C73-2	ARM L		1			
C60	931202-6	HEX. NUT M5		1			
C70	962055-2	RETAINING RING (INT) R-15		1			
A03	251314-2	+ TRUSS HEAD SCREW M4X12		2			
A04	346317-0	HOOK		1			
A05	452947-8	BIT HOLDER		1			
A06	784637-8	+ - BIT 2-45		2			
A07	821550-0	CONNECTOR PLASTIC CASE (TYP E2)		1			
C10	453974-8	LATCH		4			
A08	837916-4	INNER TRAY		1			
A09	8030X6-3	DHP486RTJ INDICATION LABEL		1			
A10	8030X7-1	DHP486RTJ PLASTIC CASE LABEL		2	*		
A11	450128-8	BATTERY COVER		1			
A12	197280-8	BATTERY BL1850B SET		2			
A13	***DC18RC	DC18RC FAST CHARGER		1			

Please state Parts No. when your order.

Print Date 01/20/2025