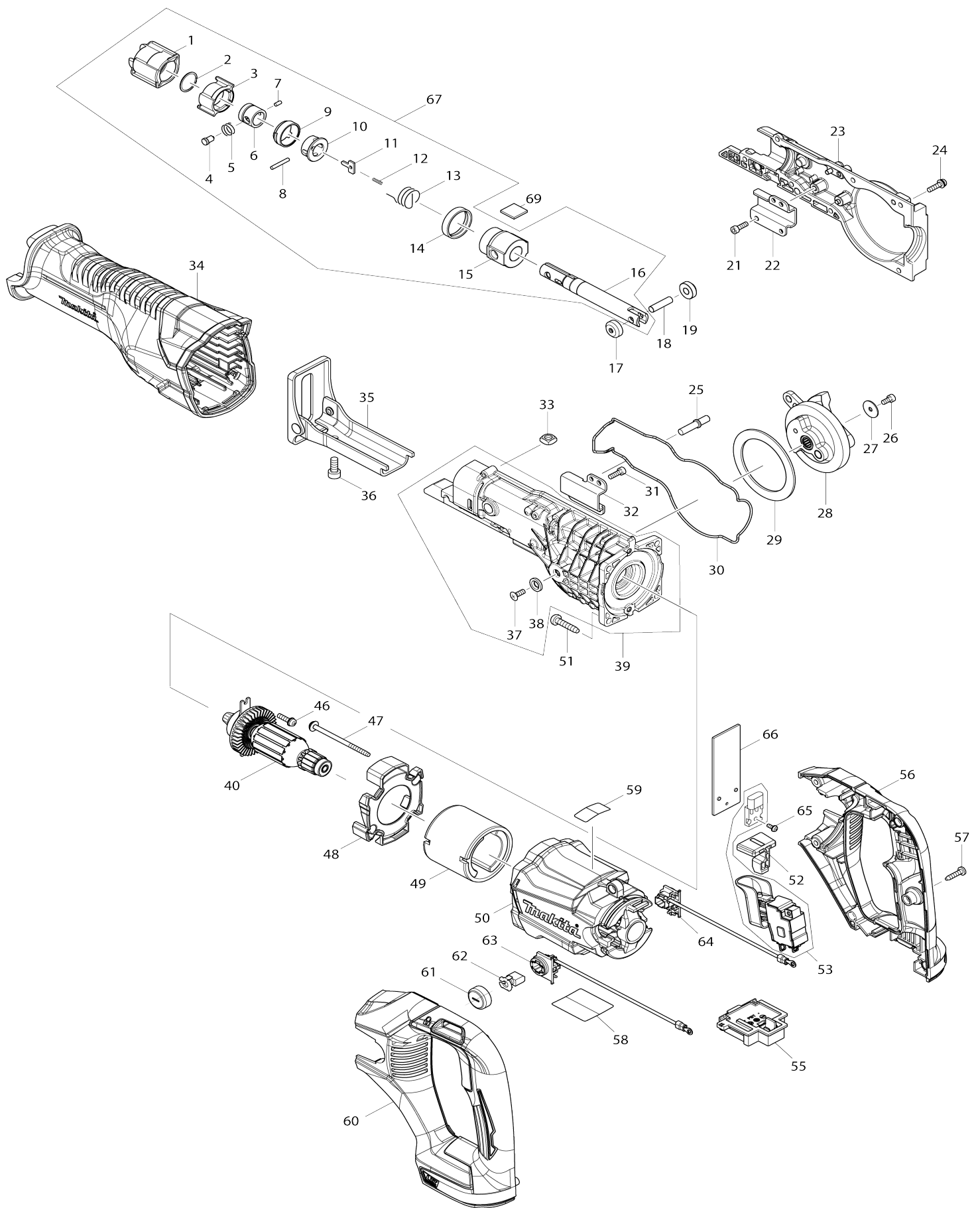


Model No. DJR186 CORDLESS RECIPRO SAW



Model No.DJR186 CORDLESS RECIPRO SAW

Item No.	Parts No.	Description	Interchangability	Q'ty	New/Old	Note1	Note2
001	424763-8	PROTECTOR		1			
002	257952-8	RETAINING RING (EXT) 18		1	*		
002-1	257430-8	RETAINING RING(EXT)18	S	1			
003	310662-9	DRIVING SLEEVE		1			
004	256569-4	SHOULDER PIN 5		1			
005	234381-2	COMPRESSION SPRING 6		1			
006	331720-8	GUIDE SLEEVE		1	*		
006-1	327043-0	GUIDE SLEEVE	S	1			
007	268094-3	PIN 3		1			
008	256158-5	PIN 3		1			
009	417791-0	DRIVING SLEEVE GUIDE		1			
010	418311-3	SLEEVE		1			
011	345214-7	PUSH PLATE		1			
012	233025-1	COMPRESSION SPRING 2		1			
013	231687-9	TORSION SPRING 17		1			
014	424762-0	RUBBER RING		1			
015	143365-8	SLIDER GUIDE COMPLETE		1			
C10	213151-2	OIL SEAL 14		1			
C20	213174-0	X RING 14		1			
016	161376-1	SLIDER		1			
017	310663-7	ROLLER		1			
018	268341-2	PIN 6		1			
019	310663-7	ROLLER		1			
021	922117-8	HEX. SOCKET HEAD BOLT M4X12		2	*		
021-1	265353-6	HEX. SOCKET HEAD BOLT M4X12	<	2			
022	346936-2	ROD GUIDE R		1			
023	143381-0	GEAR HOUSING R COMPLETE		1			
024	911128-8	P.H.SCREW M4X16 WITH WR		7			
025	256567-8	SHOULDER PIN 6-8		1			
026	922107-1	HEX. SOCKET HEAD BOLT M4X8		1	*		
026-1	265911-8	HEX. SOCKET HEAD BOLT M4X8	<	1			
027	267491-0	FLAT WASHER 4		1			
028	143377-1	GEAR COMPLETE		1	*		
028-1	141V68-0	GEAR COMPLETE	S	1			
029	267490-2	FLAT WASHER 54		1			
030	424764-6	SEAL RING		1			
031	922117-8	HEX. SOCKET HEAD BOLT M4X12		2	*		
031-1	265353-6	HEX. SOCKET HEAD BOLT M4X12	<	2			
032	346935-4	ROD GUIDE L		1			
033	252157-5	SQUARE NUT M6		1			
034	424768-8	INSULATION COVER		1			
035	161426-2	SHOE		1	*		
035-1	161812-7	SHOE	O	1	*		
035-2	161810-1	SHOE	O	1			
036	265531-8	HEX.SOCKET HEAD BOLT M6X14		1			
037	912112-6	COUNTERSUNK HEAD SCREW M4 X10		1	*		
037-1	265135-6	+ COUNTERSUNK HEAD SCREW	<	1			

		M4X10				
038	253825-3	FLAT WASHER 6		1		
039	123511-9	GEAR HOUSING L ASSEMBLY		1	*	
039		INC. 37,38			*	
039-1	126678-2	GEAR HOUSING L ASSEMBLY	<	1		
039-1		INC. 37,38				
040	519392-1	ARMATURE ASS'Y 18V		1	*	
C10	961055-9	RETAINING RING S-15		1	*	
C20	211247-3	BALL BEARING 6002DDW		1	*	
C30	227650-8	SPIRAL BEVEL GEAR 7		1	*	
C40	285740-3	BEARING RETAINER 66		1	*	
C50	210062-2	BALL BEARING 607ZZ		1	*	
040		INC. 41-45			*	
040-1	510597-6	ARMATURE ASS'Y 18V	S	1		
C10	961055-9	RETAINING RING S-15		1		
C20	211247-3	BALL BEARING 6002DDW		1		
C30	227A05-3	SPIRAL BEVEL GEAR 7		1		
C40	285740-3	BEARING RETAINER 66		1		
C50	210062-2	BALL BEARING 607ZZ		1		
041	961055-9	RETAINING RING S-15		1	*	
042	211247-3	BALL BEARING 6002DDW		1	*	
043	227650-8	SPIRAL BEVEL GEAR 7		1	*	
044	285740-3	BEARING RETAINER 66		1	*	
045	210062-2	BALL BEARING 607ZZ		1	*	
046	911128-8	P.H.SCREW M4X16 WITH WR		2		
047	266292-3	TAPPING SCREW 4X65		2		
048	456207-0	BAFFLE PLATE		1		
049	638571-3	YOKE UNIT		1		
050	456206-2	MOTOR HOUSING		1		
051	266041-8	TAPPING SCREW 5X25		4		
052	456208-8	LOCK OFF BUTTON		1		
053	650760-0	SWITCH TG573FSB-9V		1	*	
053-1	650760-0	SWITCH TG573FSB-9V	O	1		
053-1 G	650760-0	SWITCH TG573FSB-9V		1		
055	644808-8	TERMINAL		1	*	
055-1	644809-6	TERMINAL	S	1		
056	183C48-6	HANDLE SET		1	*	
C10	263005-3	RUBBER PIN 6		2	*	
056		INC. 60			*	
056-1	183C49-4	HANDLE SET	S	1		
C10	263005-3	RUBBER PIN 6		2		
056-1		INC. 60				
057	266326-2	TAPPING SCREW 4X18		6		
058	851R04-1	DJR186 NAME PLATE		1		
060	183C48-6	HANDLE SET		1	*	
C10	263005-3	RUBBER PIN 6		2	*	
060		INC. 56			*	
060-1	183C49-4	HANDLE SET	S	1		
C10	263005-3	RUBBER PIN 6		2		
060-1		INC. 56				
061	643829-7	HOLDER CAP		2		

062	194435-6	CARBON BRUSH CB-441		1	*		
062-1	195022-4	CARBON BRUSH SET CB-441	O	1			
063	643507-9	BRUSH HOLDER		1			
064	643508-7	BRUSH HOLDER		1			
065	911011-9	PAN HEAD SCREW M3X10		1			
066	689204-3	HEAT SINK		1			
067	123510-1	SLIDER ASSEMBLY		1	*		
067		INC. 1-16			*		
067-1	127397-3	SLIDER ASSEMBLY	<	1			
067-1		INC. 1-16					
068	688131-1	LINE FILTER		1	*		
068-1	688131-1	LINE FILTER	O	1			
069	424858-7	FELT 16X16		1			
A01	B-05169	RECIPROSAWBLADE FOR METAL		1			
A02	B-05175	RECIPROSAWBLADE FOR WOOD		1			
A03	821620-5	PLASTIC CARRYING CASE		1			
C10	162271-8	LATCH		2			
A04B	808A62-6	DJR186RME PLASTIC CASE LABEL		2			
A04C	808A67-6	DJR186RM PLASTIC CASE LABEL		2			
A04D	808A68-4	DJR186RFE PLASTIC CASE LABEL		2			
A04E	808A73-1	DJR186RTE PLASTIC CASE LABEL		2			
A04F	809F62-9	DJR186RT PLASTIC CASE LABEL		2			
A04G	808A59-5	DJR186ZK PLASTIC CASE LABEL		2			
A05	450128-8	BATTERY COVER		1			
A06	***DC18RC	DC18RC FAST CHARGER		1			
A06		COMPO-PARTS					
A07	197265-4	BATTERY BL1840B SET		1	*		
A07D	194204-5	BATTERY BL1830 SET		2	*		
A07	197280-8	BATTERY BL1850B SET		1	*		
A07-1	197265-4	BATTERY BL1840B SET	O	1			
A07-1 D	197600-6	BATTERY BL1830B SET	<	2	*		
A07-1	197280-8	BATTERY BL1850B SET	O	1			
A07-2 D	197600-6	BATTERY BL1830B SET	O	2			

Please state Parts No. when your order.

Print Date 01/27/2025