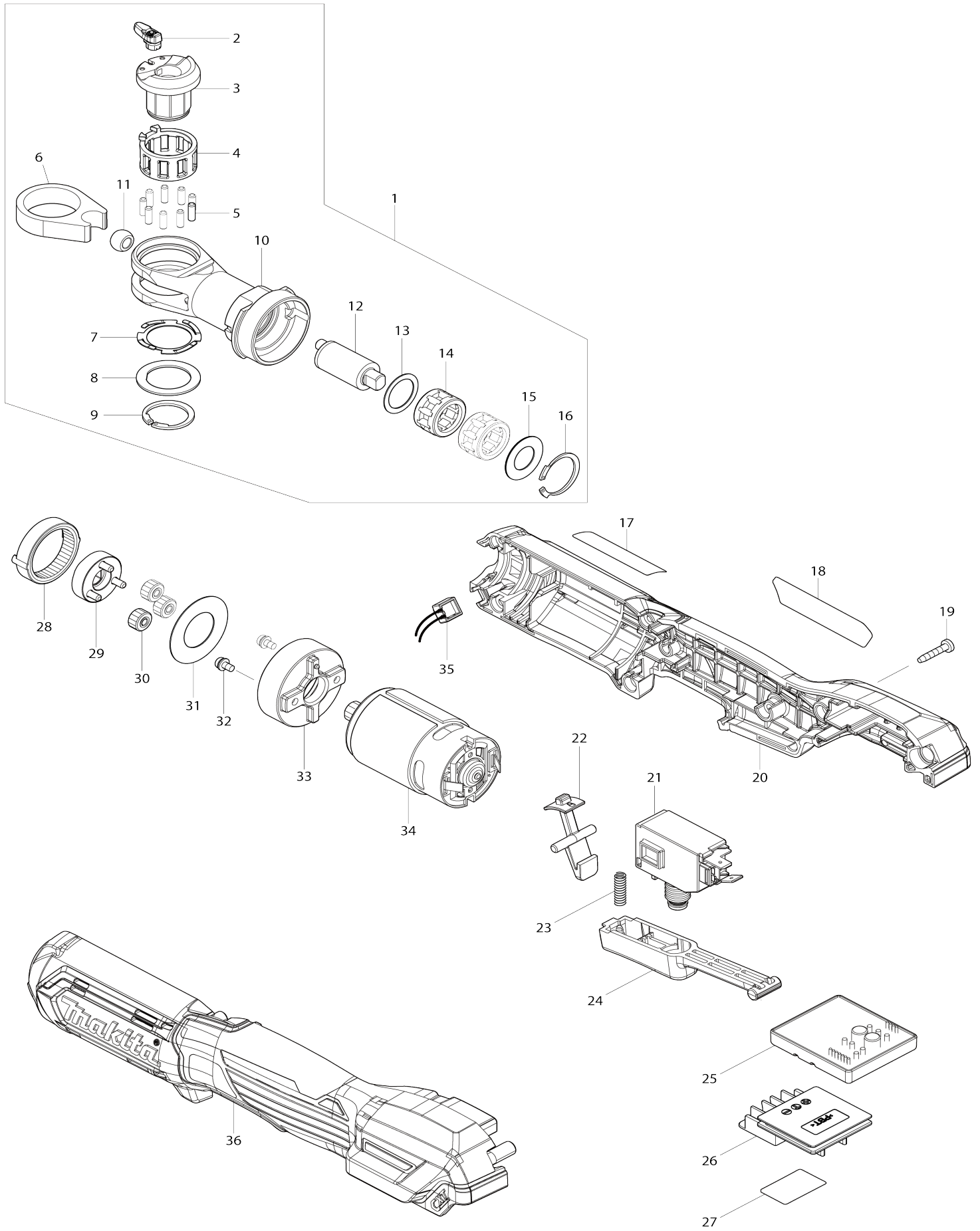


# Model No.WR100D CORDLESS RATCHET WRENCH



# Model No.WR100D CORDLESS RATCHET WRENCH

Item No.	Parts No.	Description	Interchangability	Q'ty	New/Old	Note1	Note2
001	127297-7	HEAD ASSEMBLY		1	*		
D10		INC. 2-16					
001-1	127297-7	HEAD ASSEMBLY	O	1	*		
001-2	127297-7	HEAD ASSEMBLY	O	1			
D11		INC.2, 7-9					
002	140K70-4	LEVER COMPLETE		1	*		
002-1	140K70-4	LEVER COMPLETE		1			
003	327360-8	ANVIL		1	*		
004	310954-6	RETAINER RING		1	*		
005	268301-4	PIN 3		9	*		
005-1	256963-0	PIN 3	O	9	*		
006	327357-7	RATCHET RING		1	*		
007	232531-3	LEAF SPRING		1	*		
007-1	232531-3	LEAF SPRING		1			
008	253440-3	FLAT WASHER 19		1	*		
008-1	253440-3	FLAT WASHER 19		1			
009	961078-7	RETAINING RING (EXT) S-18		1	*		
009-1	961078-7	RETAINING RING (EXT) S-18		1			
010	327356-9	RATCHET HEAD		1	*		
011	327359-3	BUSH		1	*		
012	327358-5	SPINDLE		1	*		
013	253147-1	FLAT WASHER 15		1	*		
013-1	253450-0	FLAT WASHER 15	O	1	*		
014	212228-0	NEEDLE CAGE 1412		2	*		
015	253084-9	FLAT WASHER 12		1	*		
015-1	253449-5	FLAT WASHER 12	O	1	*		
016	962112-6	RETAINING RING R-22		1	*		
018	855X38-2	WR100D NAME PLATE		1			
019	266429-2	TAPPING SCREW 3X16		7			
020	183L81-2	HOUSING SET		1			
D10		INC. 36					
021	651391-8	SWITCH C3JW-6BM-PN		1			
022	459422-5	LOCK LEVER		1			
023	232353-1	COMPRESSION SPRING 4		1			
024	459421-7	SWITCH LEVER		1			
025	620A96-7	CONTROLLER		1			
D10		INC. 35					
026	644813-5	TERMINAL		1			
027	855X44-7	WR100D SERIAL NO. LABEL		1			
028	226897-1	INTERNAL GEAR 41		1			
029	140K71-2	CARRIER COMPLETE		1			
030	226898-9	SPUR GEAR 14		3			
031	267235-8	FLAT WASHER 18		1			
032	265A38-0	P.H.SCREW M3X6 WITH WR		2			
033	310953-8	INTERNAL GEAR CASE		1			
034	629413-2	DC MOTOR		1			
035	620B10-9	LED CIRCUIT		1			

036	183L81-2	HOUSING SET		1		
D10		INC. 20				
A01	191A50-3	SOCKET ADAPTOR 9.5 SET		1		
C10	231952-6	RING SPRING 12		1	*	
A02	191A51-1	SOCKET ADAPTOR 6.35 SET		1		
C10	231952-6	RING SPRING 12		1	*	
A03	***DC10WD	DC10WD BATTERY CHARGER		1		
D10		COMPO-PARTS				
A04	197396-9	BATTERY BL1021B SET		1		
A09	832071-7	TOOL BAG		1		
A10	456128-6	BATTERY COVER		1		

Please state Parts No. when your order.

Print Date 05/24/2024