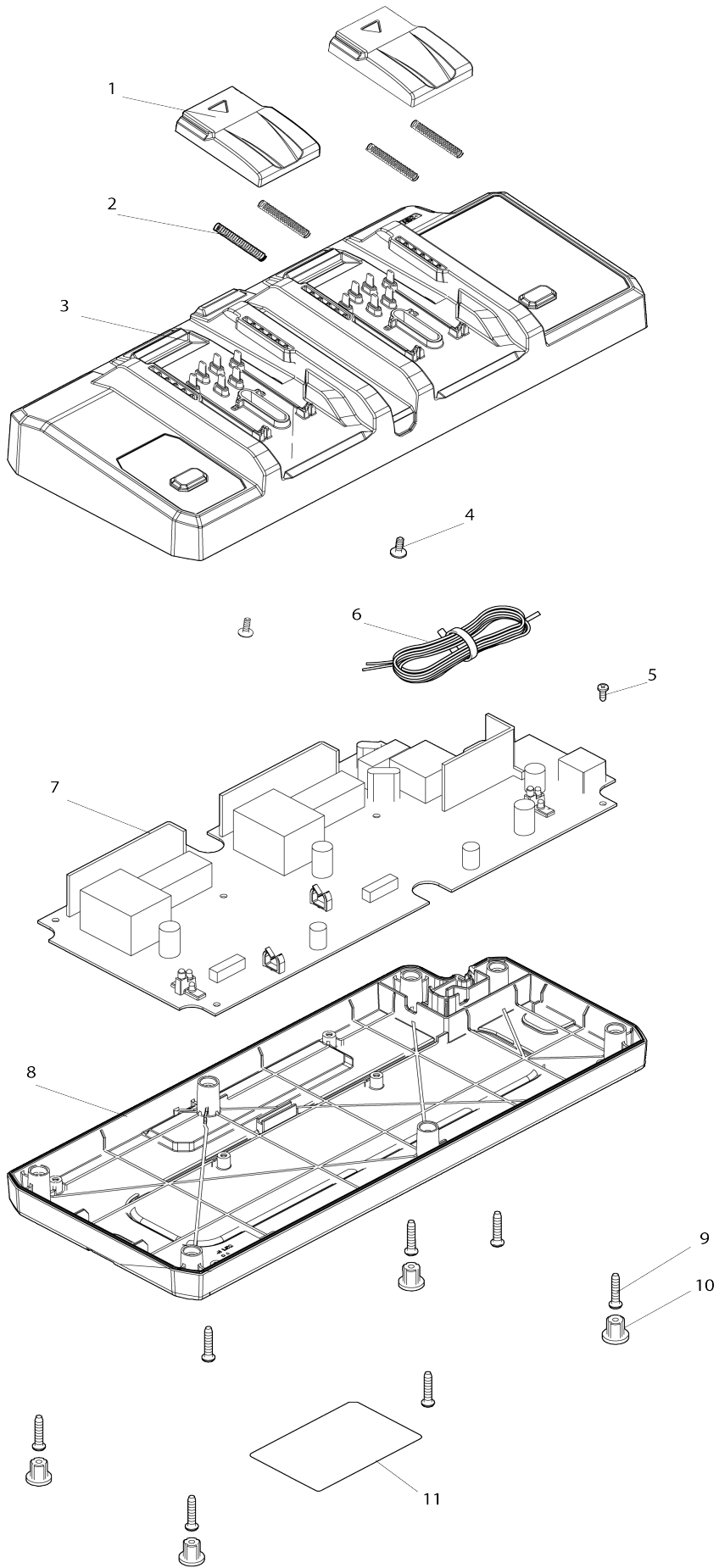


Model No.DC40WA TWO PORT MULTI CHARGER



Model No.DC40WA TWO PORT MULTI CHARGER

Item No.	Parts No.	Description	Interchangability	Q'ty	New/Old	Note1	Note2
001	413L17-0	TERMINAL COVER		2			
002	232777-1	COMPRESSION SPRING 4		4			
003	141M09-2	CHARGER CASE COMPLETE		1			
C10	8056Y0-4	CHARGING CONDITION LABEL 1		1			
C20	8056Y1-2	CHARGING CONDITION LABEL 2		1			
004	266278-7	TAPPING SCREW FLANGE BT3X10		2			
005	265B02-7	TAPPING SCREW 3X8		6			
006	667986-7	VINYL CORD 0.75-2-2.0		1			
007	620M55-3	CHARGING CIRCUIT		1			
C10	647306-1	VARISTOR		1			
C20	652797-3	FUSE		1			
008	413L16-2	CHARGER CASE COVER		1			
009	265B01-9	TAPPING SCREW PT 4X20		7			
010	286255-3	CAP 13		4			
011	8581W7-5	DC40WA NAME PLATE		1			
F01	1911M2-5	DC40WA CHARGER SET		1			

Please state Parts No. when your order.

Print Date 05/24/2024