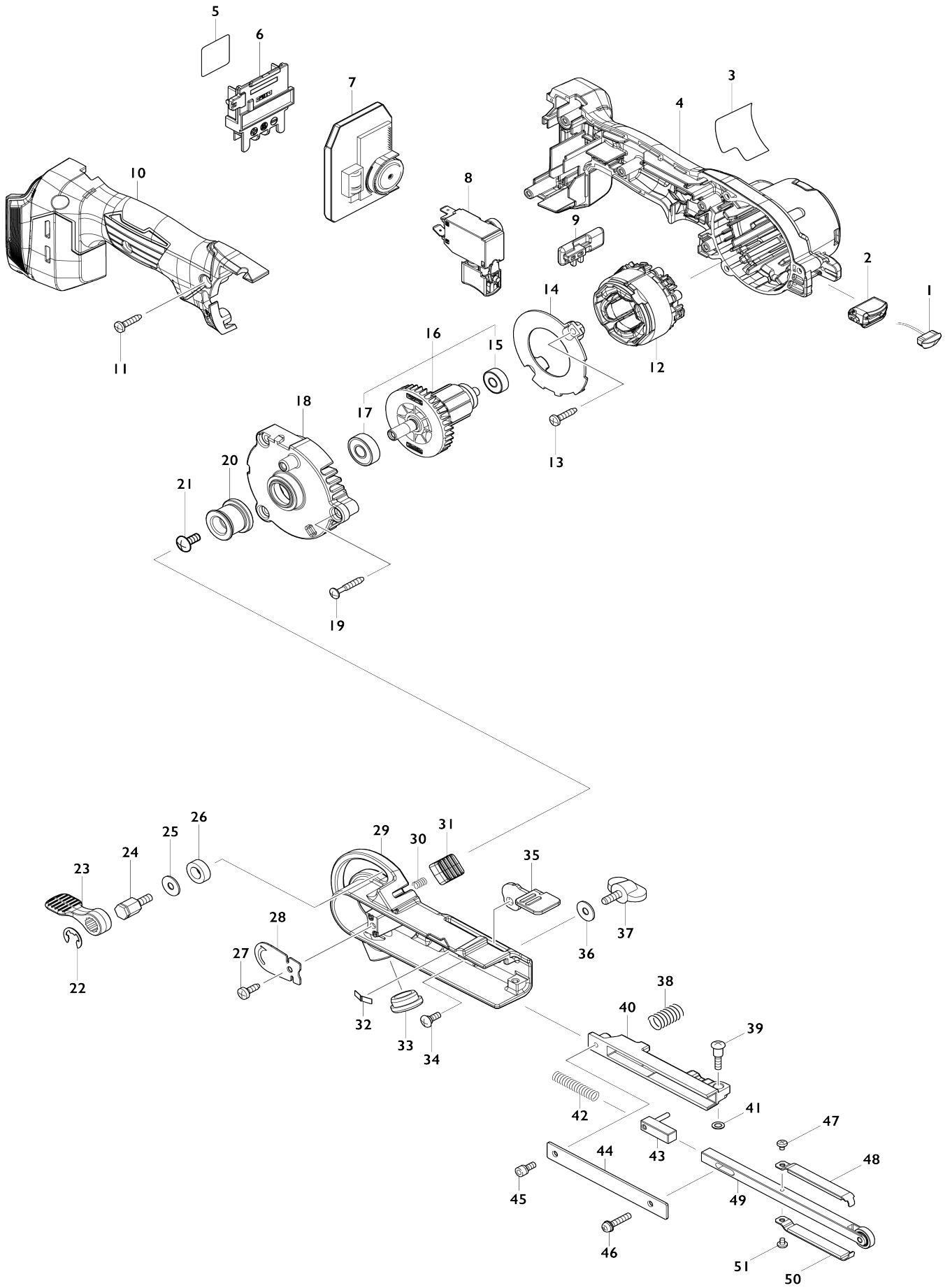


# Model No.DBS180 9MM CORDLESS BELT SANDER



**Model No.DBS180 9MM CORDLESS BELT SANDER**

Item No.	Parts No.	Description	Interchangeability	Q'ty	New/Old	Note1	Note2
001	620D54-1	LED CIRCUIT		1			
002	412719-3	LED HOUSING		1			
003	857S44-3	DBS180 NAME PLATE		1			
004	183R39-7	MOTOR HOUSING HANDLE COVER SET		1			
C10	263005-3	RUBBER PIN 6		2			
D10		INC. 10					
005	857S52-4	DBS180 SERIAL NO. LABEL		1			
006	643874-2	TERMINAL		1			
007	620D53-3	CONTROLLER		1			
008	651493-0	SWITCH C3JW-4CM-1L		1			
009	412720-8	CHANGE LEVER		1			
010	183R39-7	MOTOR HOUSING HANDLE COVER SET		1			
C10	263005-3	RUBBER PIN 6		2			
D10		INC. 4					
011	266326-2	TAPPING SCREW 4X18		5			
012	629A24-9	STATOR		1			
013	266326-2	TAPPING SCREW 4X18		2			
014	412718-5	BAFFLE PLATE		1			
015	210031-3	BALL BEARING 606DDW		1			
016	519645-8	ROTOR ASSY		1			
D10		INC. 15,17					
017	210005-4	BALL BEARING 608DDW		1			
018	312A10-4	BRACKET		1			
019	265999-8	TAPPING SCREW 4X25		3			
020	317522-6	DRIVING ROLLER		1			
021	265092-8	TRUSS HEAD SCREW M5X12		1			
022	961014-3	STOP RING E-8		1			
023	272229-0	LEVER 40		1			
024	265494-8	HEX. BOLT M5X13		1			
025	253807-5	FLAT WASHER 5		1			
026	257249-5	RING 9		1			
027	266026-4	TAPPING SCREW BIND CT 4X12		1			
028	345196-3	SAFETY COVER		1			
029	140U96-6	PULLEY COVER COMPLETE		1			
030	231026-3	COMPRESSION SPRING 4		1	*		
030-1	233054-4	COMPRESSION SPRING 4	<	1			
031	412721-6	KNOB		1			
032	232185-6	LEAF SPRING		1			
033	421198-4	CAP		1			
034	265028-7	+ PAN HEAD SCREW M4X11		1			
035	345197-1	CAM LEVER		1			
036	253807-5	FLAT WASHER 5		1	*		
036-1	253111-2	FLAT WASHER 6	<	1			
037	265720-5	THUMB SCREW M5X14		1			
038	233333-0	COMPRESSION SPRING 10		1			
039	265090-2	+ PAN HEAD SCREW M4X20		1			

040	317525-0	ARM HOLDER		1		
041	941052-1	FLAT WASHER 4		1		
042	233332-2	COMPRESSION SPRING 6		1		
043	153312-1	ARM TENSIONER COMPLETE		1		
044	345195-5	ARM COVER		1		
045	922111-0	HEX. SOCKET HEAD BOLT M4X10		1		
046	911138-5	P.H.SCREW M4X20 WITH WR		1		
047	265040-7	+ PAN HEAD SCREW M3X4		1		
048	153314-7	SHOE 9 COMPLETE		1		
049	153310-5	ARM 9 COMPLETE		1		
050	153314-7	SHOE 9 COMPLETE		1		
051	265040-7	+ PAN HEAD SCREW M3X4		1		
A01	A-34469	ABRASIVE BELT 9X533-AA80		1		
A02	122652-8	DUST NOZZLE ASS'Y		1		
A03	140W02-3	GRIP BASE COMPLETE		1		
A04	144163-3	GRIP 36 COMPLETE		1		
F09	192349-3	JOINT 25		1		
F37	191N60-8	DUST COVER SET		1		
A05	450128-8	BATTERY COVER		1		
A06	***DC18RC	DC18RC FAST CHARGER		1		
D10		COMPO-PARTS				
A07	197280-8	BATTERY BL1850B SET		2		
A08	8022Y1-9	DBS180RTJ INDICATION LABEL		1		
A09	8022Y2-7	DBS180RTJ PLASTIC CASE LABEL		2		
A10	821550-0	CONNECTOR PLASTIC CASE (TYP E2)		1		
C10	453974-8	LATCH		4		
A11	835P86-9	INNER TRAY		1		

Please state Parts No. when your order.

Print Date 05/24/2024