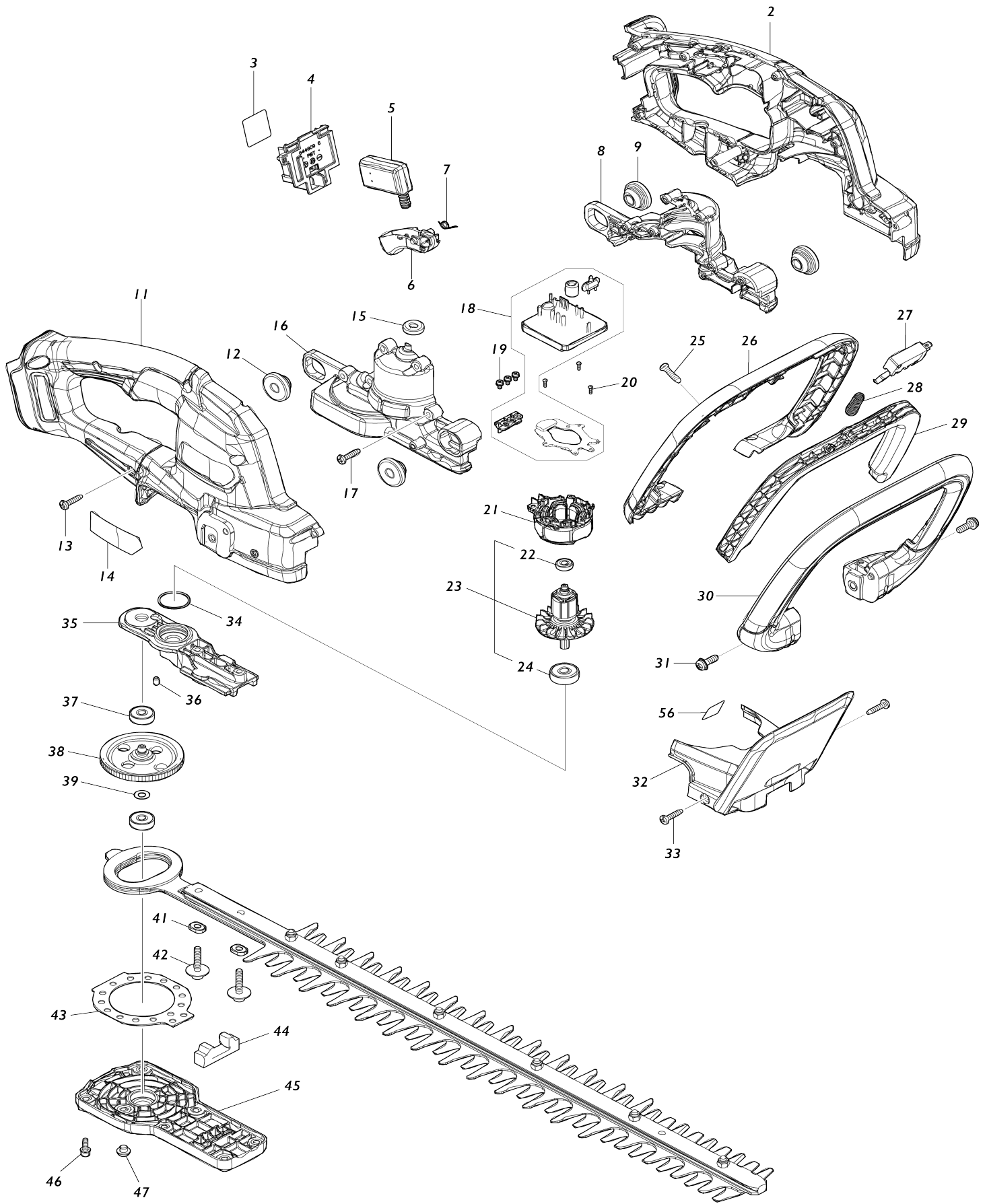
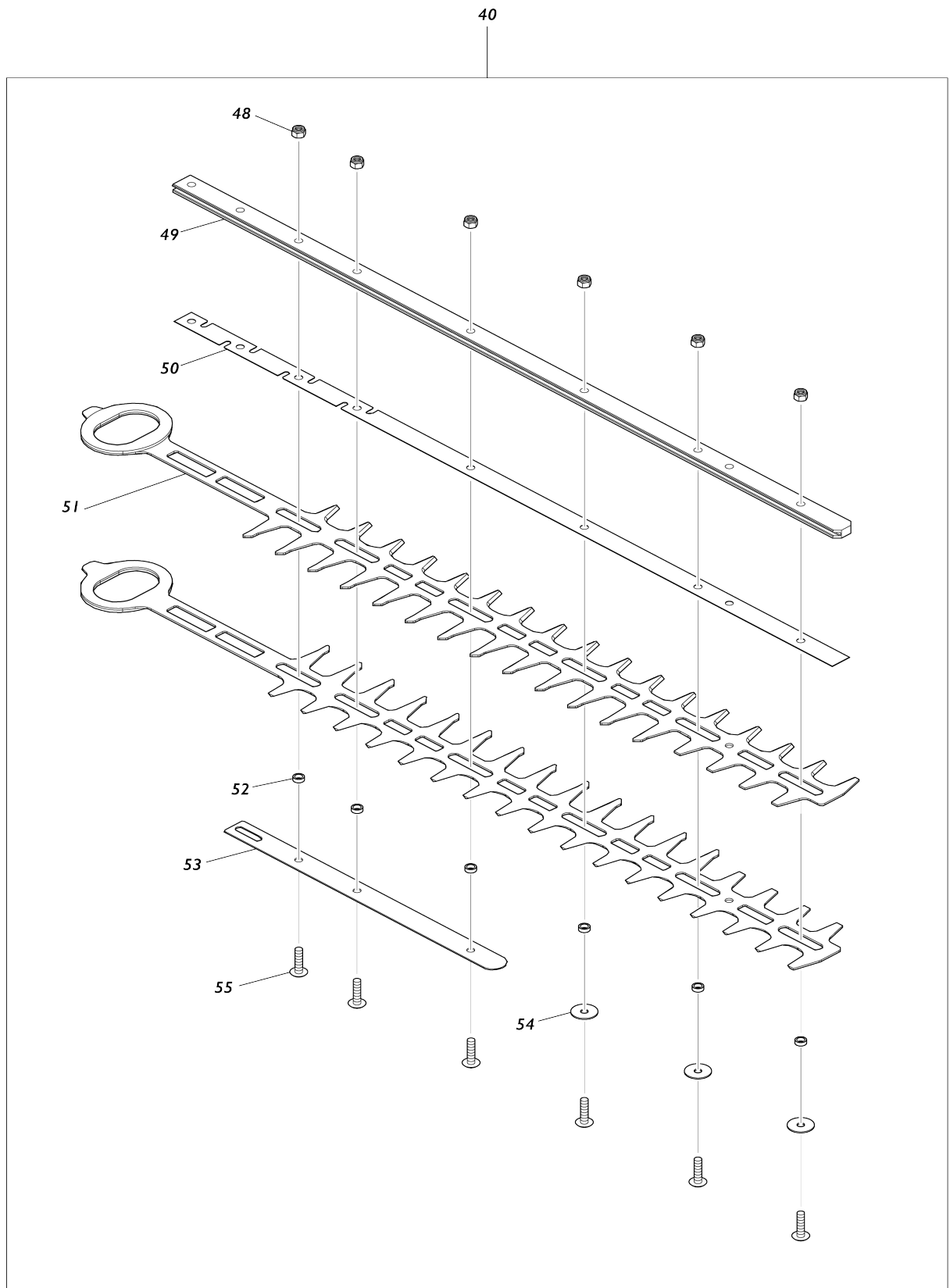


Model No.DUH506 500MM CORDLESS HEDGE TRIMMER



Model No.DUH506 500MM CORDLESS HEDGE TRIMMER



Model No.DUH506 500MM CORDLESS HEDGE TRIMMER

Item No.	Parts No.	Description	Interchangability	Q'ty	New/Old	Note1	Note2
002	183V39-1	HANDLE SET		1			
C10	263005-3	RUBBER PIN 6		2			
D10		INC. 11					
003	8580M8-7	DUH506 SERIAL NO. LABEL		1			
004	644809-6	TERMINAL		1			
005	650033-1	SWITCH C3XA-3PSPM-1		1			
006	413J41-1	SWITCH LEVER RE		1			
007	232770-5	TORSION SPRING 6		1			
008	183V95-1	MOTOR HOUSING SET		1			
D10		INC. 16					
009	424394-3	RUBBER RING 8		2			
011	183V39-1	HANDLE SET		1			
C10	263005-3	RUBBER PIN 6		2			
D10		INC. 2					
012	424394-3	RUBBER RING 8		2			
013	266326-2	TAPPING SCREW 4X18		7	*		
013-1	265B67-9	TAPPING SCREW 4X18	O	7			
014	8580M5-3	DUH506 NAME PLATE		1			
015	424195-9	RUBBER RING 6		1			
016	183V95-1	MOTOR HOUSING SET		1			
D10		INC. 8					
017	266326-2	TAPPING SCREW 4X18		6	*		
017-1	265B67-9	TAPPING SCREW 4X18	O	6			
018	620J54-7	CONTROLLER		1			
019	652069-6	FLAT HEAD SCREW M3X6		3			
020	266490-9	TAPPING SCREW PT 2X6		3	*		
020-1	265C47-1	TAPPING SCREW PT 2X6	O	3			
021	629B24-5	STATOR		1			
022	211157-4	BALL BEARING 695ZZ		1			
023	519764-0	ROTOR ASSY		1			
D10		INC. 22,24					
024	210023-2	BALL BEARING 627DDW		1			
025	266326-2	TAPPING SCREW 4X18		6	*		
025-1	265B67-9	TAPPING SCREW 4X18	O	6			
026	413J39-8	FRONT HANDLE COVER E		1			
027	650034-9	SWITCH D2VW-01L3-3HS		1			
028	231325-3	COMPRESSION SPRING 6		1			
029	413J40-3	SWITCH LEVER FE		1			
030	413J38-0	FRONT HANDLE E		1			
031	911223-4	PAN HEAD SCREW M5X16		2			
032	141K47-2	PROTECTOR COMPLETE		1	*		
C10	8059E3-6	CAUTION LABEL		1	*		
032-1	1410D5-0	PROTECTOR COMPLETE	O	1			
C11	8074L3-1	CAUTION LABEL	O	1			
033	266326-2	TAPPING SCREW 4X18		2	*		
033-1	265B67-9	TAPPING SCREW 4X18	O	2			
034	213961-7	O RING 22		1			

035	312D09-7	BEARING HOUSING E		1		
036	263002-9	RUBBER PIN 4		1		
037	211016-2	BALL BEARING 626LLB		2		
038	141K44-8	GEAR COMPLETE		1		
039	253715-0	FLAT WASHER 6		1		
040	1910H8-2	SHEAR BLADE 500E SET		1	*	
C10	199450-5	GREASE VESSEL SET		1	*	
C20	313436-7	SPACER		2	*	
D10		INC. 48-55				
040-1	1914G4-7	SHEAR BLADE 500E SET	O	1		
C10	199450-5	GREASE VESSEL SET		1		
C20	313436-7	SPACER		2		
D10		INC. 48-55				
041	313436-7	SPACER		2		
042	265A89-3	H.S.H.BOLT M5X25 WITH WR		2		
043	347A10-5	PLATE		1		
044	422904-0	DUST GUARD		1		
045	413J26-7	UNDER COVER		1		
046	922118-6	HEX. SOCKET HEAD BOLT M4X12		6		
047	266559-9	H.S.BUTTON HEAD BOLT M6X4		1		
048	264013-7	HEX. LOCK NUT M5-8		6		
049	327981-6	GUIDE BAR 500E		1		
050	347986-0	PLATE 500E		1		
051	725299-3	SHEAR BLADE 500E		2	*	
051-1	725328-2	SHEAR BLADE 500 E	O	2		
052	257876-8	RING 5		6		
053	347990-9	LOWER PLATE		1		
054	253571-8	FLAT WASHER 5		3		
055	265A40-3	+TRUSS HEAD SCREW M5X20		6		
056	802H58-1	SOUND 90DB LABEL		1		
A01	413L91-8	BLADE COVER 500		1		
F01	1910H8-2	SHEAR BLADE 500E SET		1	*	
F01-1	1914G4-7	SHEAR BLADE 500E SET	O	1		
F02	1910T1-0	CHIP RECEIVER 500 SET		1		
F03	199450-5	GREASE VESSEL SET		1		

Please state Parts No. when your order.

Print Date 08/28/2024