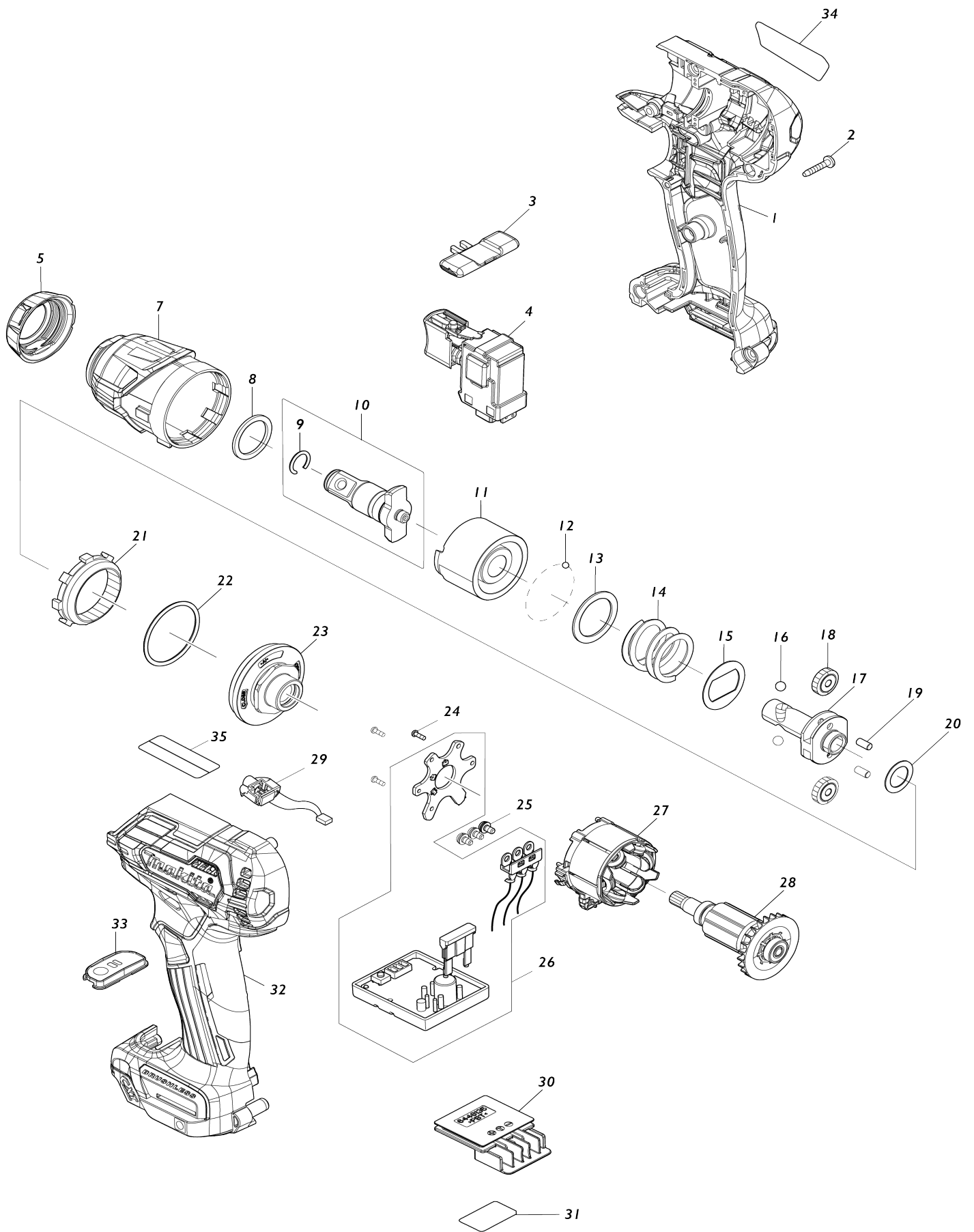


# Model No.TW161D CORDLESS IMPACT WRENCH



Model No.TW161D CORDLESS IMPACT WRENCH

Item No.	Parts No.	Description	Interchangability	Q'ty	New/Old	Note1	Note2
001	183L31-7	HOUSING SET		1			
C10	263002-9	RUBBER PIN 4		2			
C20	252126-6	HEX. LOCK NUT M4-7		2			
D10		INC. 32					
002	266429-2	TAPPING SCREW 3X16		9			
003	455053-8	F/R CHANGE LEVER		1			
004	143975-1	SWITCH COMPLETE		1			
C10	424890-1	SWITCH COVER		1			
005	422407-4	BUMPER		1			
007	140K41-1	HAMMER CASE COMPLETE		1			
C10	213882-3	O-RING 16		1			
008	261159-0	NYLON WASHER 19		1			
009	231907-1	RING SPRING 10		1			
010	136030-6	ANVIL E ASSY		1			
D10		INC. 9					
011	327200-0	HAMMER		1			
012	216019-1	STEEL BALL 3		24			
013	267352-4	FLAT WASHER 22		1			
014	232516-9	COMPRESSION SPRING 21		1			
015	267813-4	WASHER 21		1			
016	216002-8	STEEL BALL 4.8		2			
017	327046-4	SPINDLE		1			
018	227213-0	SPUR GEAR 17		2			
019	268217-3	PIN 3.5		2			
020	253052-2	FLAT WASHER 12		1			
021	227316-0	INTERNAL GEAR 43		1			
022	213479-8	O RING 33		1			
023	140G75-0	BEARING BOX COMPLETE		1			
C10	213845-9	O-RING 13		1			
024	266490-9	TAPPING SCREW PT 2X6		3			
025	652069-6	FLAT HEAD SCREW M3X6		3			
026	620998-1	CONTROLLER		1			
027	629398-2	STATOR		1			
028	619491-0	ROTOR		1	*		
028-1	619491-0	ROTOR	O	1			
029	620999-9	LED CIRCUIT		1			
030	644813-5	TERMINAL		1			
031	855S26-9	TW161D SERIAL NO. LABEL		1			
032	183L31-7	HOUSING SET		1			
C10	263002-9	RUBBER PIN 4		2			
C20	252126-6	HEX. LOCK NUT M4-7		2			
D10		INC. 1					
033	140G52-2	SWITCH PLATE COMPLETE		1			
C10	818X19-7	SWITCH LABEL		1			
034	855S19-6	TW161D NAME PLATE		1			
A01	266622-8	+ TRUSS HEAD SCREW M4X12		1			
A02	346909-5	HOOK		1			

F40	347C56-3	HOOK		1			
A03	821661-1	PLASTIC CARRYING CASE		1			
C10	417724-5	LATCH		2			
A04	***DC10SB	DC10SB BATTERY CHARGER		1			
D10		COMPO-PARTS					
A05	197396-9	BATTERY BL1021B SET		2	*		
A05-1	197396-9	BATTERY BL1021B SET	O	2			
A06	456128-6	BATTERY COVER		1			
A05	197406-2	BATTERY BL1041B SET		2	*		
A05-1	197406-2	BATTERY BL1041B SET	O	2			

Please state Parts No. when your order.

Print Date 05/24/2024