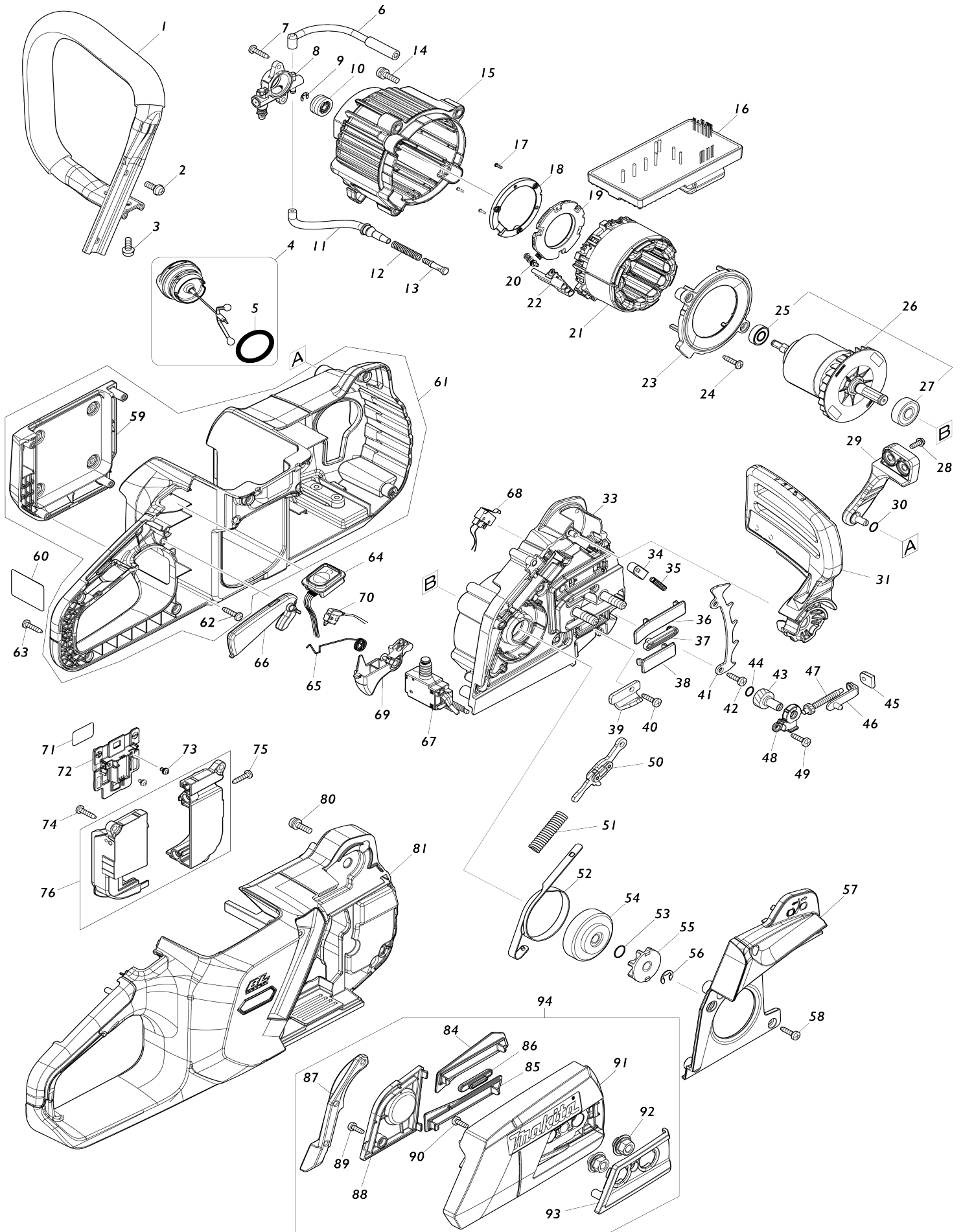


Model No. UC012G 400MM CORDLESS CHAIN SAW



Model No. UC012G 400MM CORDLESS CHAIN SAW

Item No.	Parts No.	Description	Interchangeability	Q'ty	New/Old	Note1	Note2
001	327932-9	FRONT HANDLE		1			
002	911218-7	PAN HEAD SCREW M5X14		2			
003	911218-7	PAN HEAD SCREW M5X14		2			
004	122A77-2	TANK CAP ASSEMBLY		1			
004		INC. 5					
005	213080-9	O RING 29.5		1			
006	422835-3	OIL TUBE 3-117		1			
007	266326-2	TAPPING SCREW 4X18		2			
008	142857-4	OIL PUMP COMPLETE		1			
009	961011-9	STOP RING E-4		1			
010	226884-0	WORM GEAR		1			
011	422836-1	OIL TUBE 3-108		1			
012	231975-4	SPRING		1			
013	452666-6	NIPPLE		1			
014	911228-4	PAN HEAD SCREW M5X18		3			
015	413C89-1	MOTOR HOUSING		1			
016	620H71-5	CONTROLLER		1	*		
016-1	620P46-2	CONTROLLER	S	1			
017	266490-9	TAPPING SCREW PT 2X6		3			
018	687B69-9	STOPPER		1			
019	620H75-7	CONTROLLER B		1			
020	652031-1	PAN HEAD SCREW M3X6		3			
021	629B00-9	STATOR		1			
022	632T19-7	LEAD UNIT		1			
023	413C90-6	BAFFLE PLATE		1			
024	266326-2	TAPPING SCREW 4X18		2			
025	210016-9	BALL BEARING 698ZZ		1			
026	519732-3	ROTOR ASSY		1	*		
026		INC. 25,27			*		
026-1	519732-3	ROTOR ASSY	O	1			
026-1		INC. 25,27					
027	210059-1	BALL BEARING 6000DDW		1			
028	911118-1	PAN HEAD SCREW M4X12		2			
029	413C92-2	FRONT HAND GUARD RETAINER		1			
030	213594-8	O RING 7		1			
031	141J69-6	FRONT HAND GUARD COMPLETE		1			
C10	8050E6-6	CAUTION LABEL		1			
033	136609-3	HOUSING BASE ASSEMBLY		1			
C10	263002-9	RUBBER PIN 4		1			
034	313398-9	HAND GUARD GUIDE		1			
035	234210-9	COMPRESSION SPRING 3		1			
036	413D07-5	GUARD A		1			
037	422834-5	GROMMET A		1			
038	413D08-3	GUARD B		1			
039	347924-2	CHAIN CATCHER		1			
040	266034-5	TAPPING SCREW CT 4X16		1			
041	347925-0	SPIKE BUMPER		1			

042	266034-5	TAPPING SCREW CT 4X16		1		
043	227744-9	HELICAL GEAR 18		1		
044	213594-8	O RING 7		1		
045	452668-2	CLAMP SCREW BEDDING		1		
046	347923-4	TENSION SLIDE		1		
047	227743-1	HELICAL GEAR 11		1		
048	413D06-7	GEAR COVER		1	*	
048-1	4130H2-7	GEAR COVER	<	1		
049	266034-5	TAPPING SCREW CT 4X16		1		
050	141E60-4	LINK PLATE COMPLETE		1		
051	232452-9	COMPRESSION SPRING 7		1		
052	347922-6	BRAKE BAND COMPLETE		1		
053	213060-5	O RING 10		1		
054	162979-4	BRAKE DRUM		1		
055	191V91-5	SPROCKET 7 SET		1		
056	961013-5	STOP RING E-7		1		
057	413C95-6	BRAKE COVER		1		
058	266034-5	TAPPING SCREW CT 4X16		6		
059	413C88-3	BATTERY COVER		1		
060	8117H1-9	UC012G NAME PLATE		1		
061	136689-9	HOUSING L ASSEMBLY		1	*	
061		INC. 59,62			*	
061-1	137024-4	HOUSING L ASSEMBLY	S	1		
061-1		INC. 59,62				
062	266326-2	TAPPING SCREW 4X18		4		
063	266326-2	TAPPING SCREW 4X18		9		
064	620J22-0	SWITCH CIRCUIT COMPLETE		1		
C10	810D46-0	SWITCH LABEL		1		
065	232733-1	TORSION SPRING 10		1	*	
065-1	232850-7	TORSION SPRING 10	S	1		
066	413C94-8	CATCH LEVER		1	*	
066-1	141V01-2	LOCK OFF LEVER COMPLETE	S	1		
067	650024-2	SWITCH C3JR-4B-PAND4-1		1		
068	632T50-3	SWITCH UNIT		1		
069	413C93-0	SWITCH LEVER		1		
070	632L49-0	SWITCH UNIT		1	*	
071	8117H6-9	UC012G SERIAL NO. LABEL		1		
072	632T07-4	TERMINAL UNIT		1		
073	652031-1	PAN HEAD SCREW M3X6		2		
074	266326-2	TAPPING SCREW 4X18		3		
075	266326-2	TAPPING SCREW 4X18		2		
076	183V16-3	TERMINAL BOX SET		1		
C10	263005-3	RUBBER PIN 6		2		
080	911228-4	PAN HEAD SCREW M5X18		4		
081	136674-2	HOUSING R ASSEMBLY		1	*	
C10	8025F3-0	XGT LOGO LABEL		1	*	
081-1	137216-5	HOUSING R ASS'Y	S	1		
C10	8025F3-0	XGT LOGO LABEL		1		
084	413D09-1	GUARD C		1		
085	413D10-6	GUARD D		1		
086	422833-7	GROMMET		1		
087	422832-9	CHIP GUIDE		1		

088	413C98-0	INNER COVER		1			
089	266427-6	TAPPING SCREW 4X12		1	*		
089-1	265C54-4	TAPPING SCREW 4X12	O	1			
090	266427-6	TAPPING SCREW 4X12		1	*		
090-1	265C54-4	TAPPING SCREW 4X12	O	1			
091	413C96-4	SPROCKET COVER		1			
092	162493-0	FLANGE NUT COMPLETE		2			
093	413C97-2	NUT COVER		1			
094	183V86-2	SPROCKET COVER SET		1			
094		INC. 84-93					
A01	191T88-2	GUIDE BAR 16 SET		1			
A02	419242-9	CHAIN COVER		1	*		
A02-1	419242-9	CHAIN COVER	O	1			
A04	191T92-1	SAW CHAIN 16 SET		1			
A05	782023-7	WRENCH 13-16		1			
A07	412393-7	BATTERY COVER		1	*		
A08	***DC40RA	DC40RA FAST CHARGER		1			
A08		COMPO-PARTS					
A09	191L47-8	BATTERY BL4050F SET		1			
E01	8050E9-0	SOUND LABEL		1			
F01	191G24-0	GUIDE BAR 14 SET		1			
F02	191G25-8	GUIDE BAR 16 SET		1			
F03	191G26-6	GUIDE BAR 18 SET		1			
F04	191H11-5	SAW CHAIN 14 SET		1			
F05	191H12-3	SAW CHAIN 16 SET		1			
F06	191H13-1	SAW CHAIN 18 SET		1			
F13	191V90-7	SPROCKET 6 SET		1			
F14	191V91-5	SPROCKET 7 SET		1			
F17	195093-1	CHAIN OIL SET		1			
F18	198457-8	CHAIN EDGER SET		1	*		
F18-1	D-70948	FILE HOLDER SET 4.0MM(5/32")	O	1			

Please state Parts No. when your order.

Print Date 11/27/2024