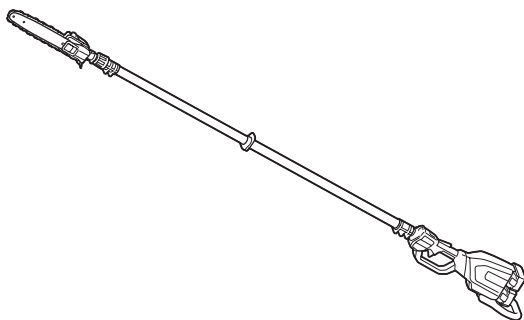




EN	Cordless Telescopic Pole Saw	INSTRUCTION MANUAL	11
FR	Tronçonneuse d'élagage sur perche télescopique sans fil	MANUEL D'INSTRUCTIONS	25
DE	Akku-Hochentaster teleskopierbar	BETRIEBSANLEITUNG	40
IT	Elettrosega telescopica a batteria	ISTRUZIONI PER L'USO	56
NL	Telescopische accustoksnoeizaag	GEBRUIKSAANWIJZING	72
ES	Sierra de Extensión Telescópica Inalámbrica	MANUAL DE INSTRUCCIONES	87
PT	Motopoda Telescópica a Bateria	MANUAL DE INSTRUÇÕES	102
EL	Φορητό τηλεσκοπικό κονταροπρίονο	ΕΓΧΕΙΡΙΔΙΟ ΟΔΗΓΙΩΝ	117
TR	Akülü Teleskopik Yüksek Dal Budama Testeresi	KULLANMA KILAVUZU	133

DUA301



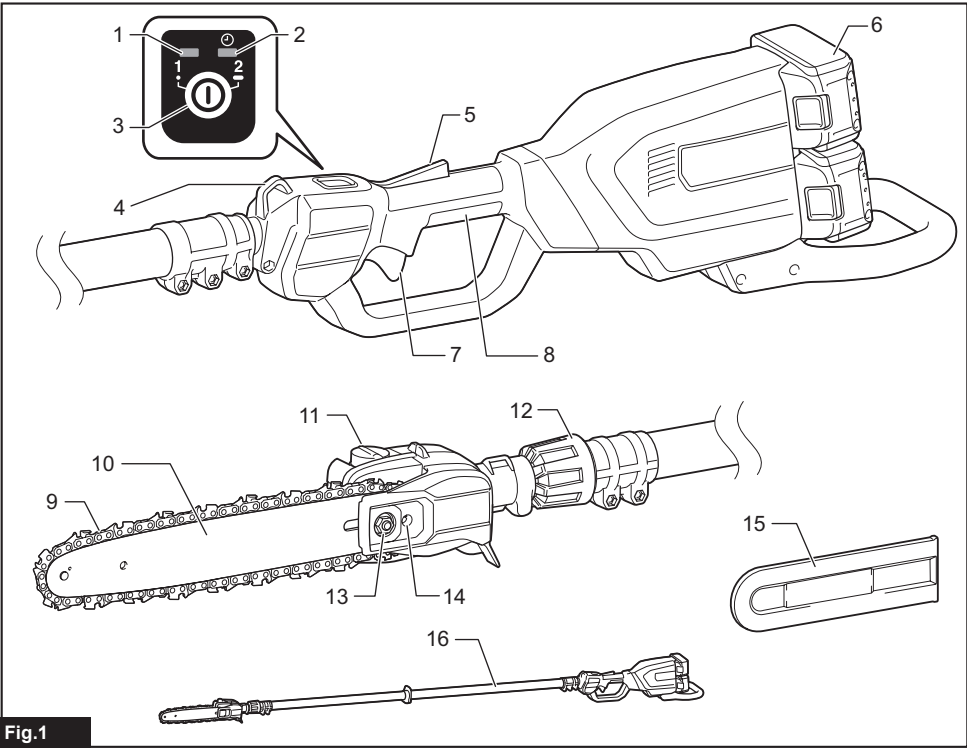


Fig.1

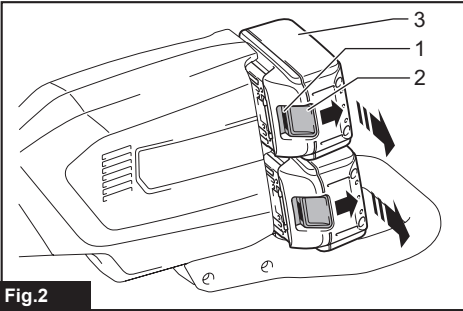


Fig.2

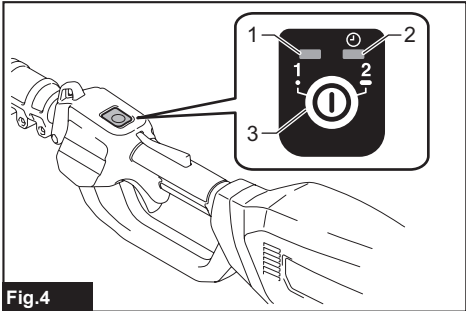


Fig.4

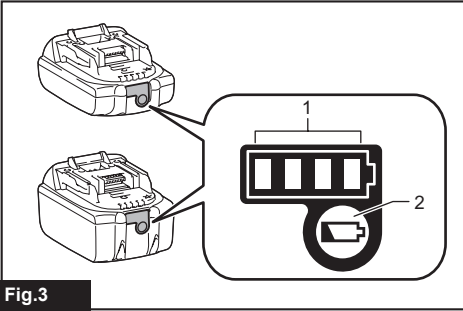


Fig.3

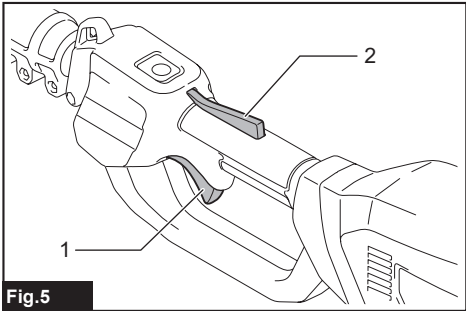
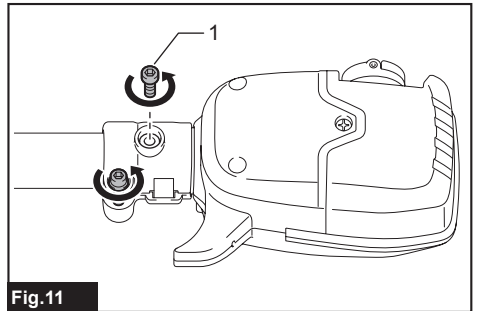
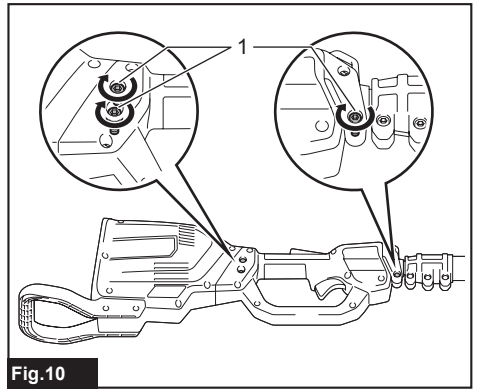
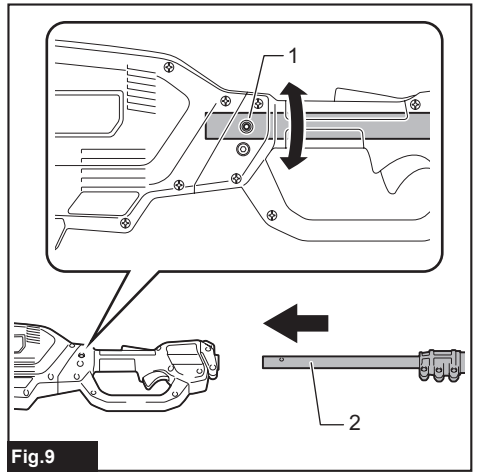
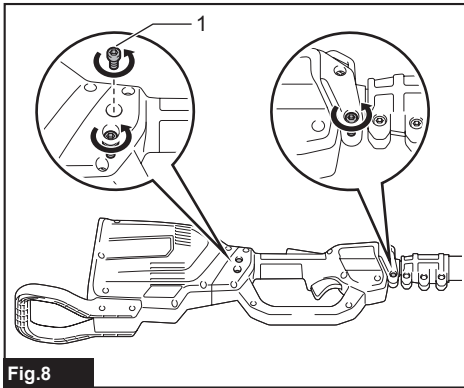
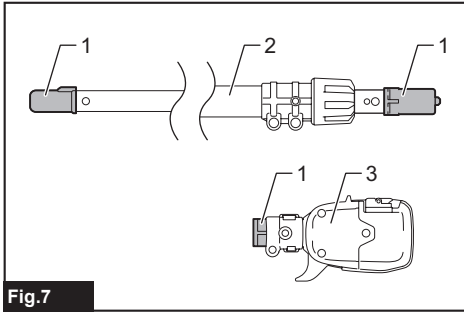
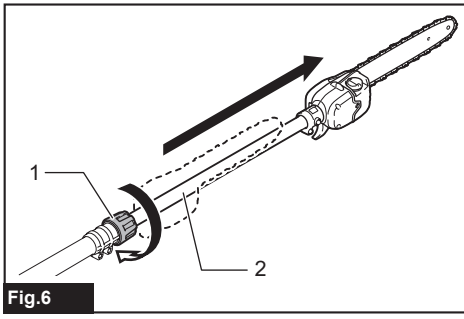


Fig.5



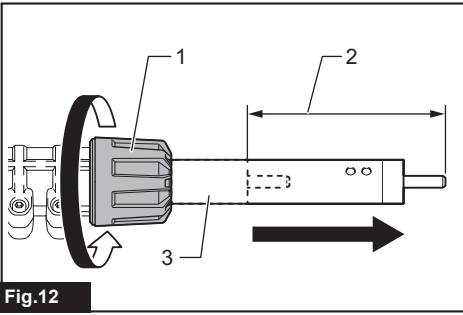


Fig.12

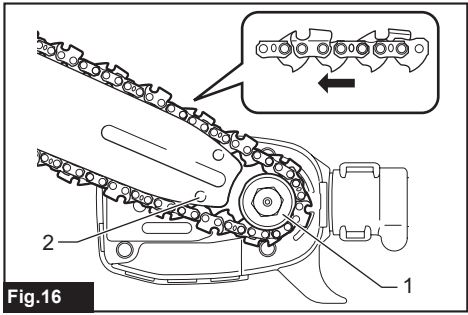


Fig.16

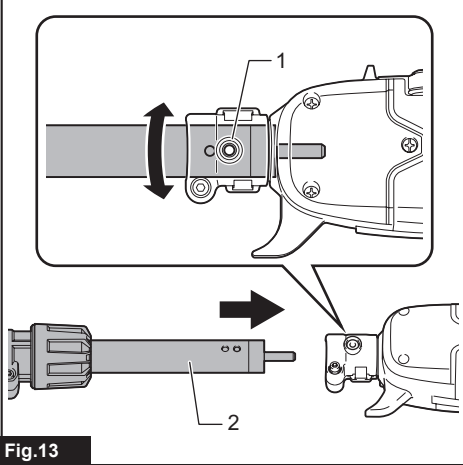


Fig.13

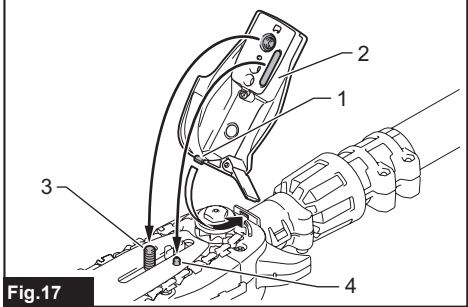


Fig.17

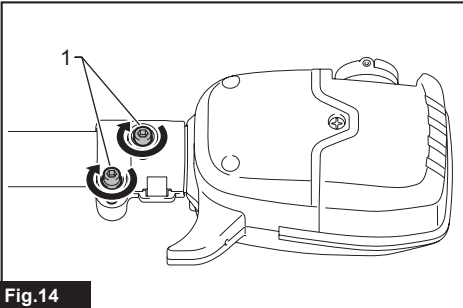


Fig.14

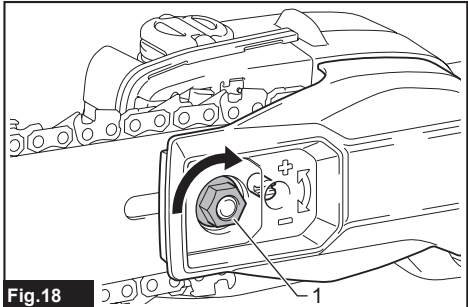


Fig.18

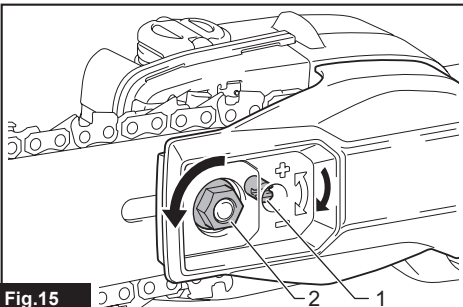


Fig.15

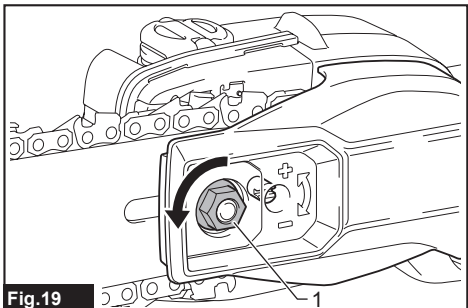


Fig.19

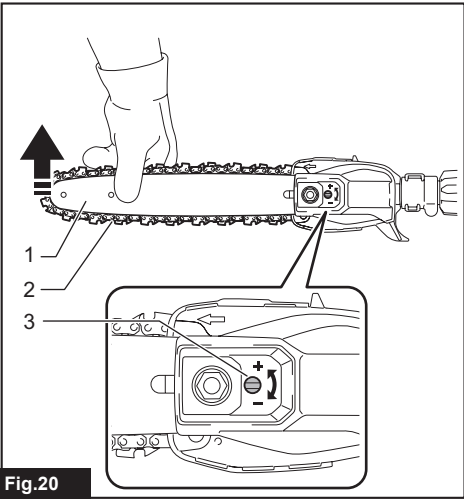


Fig.20

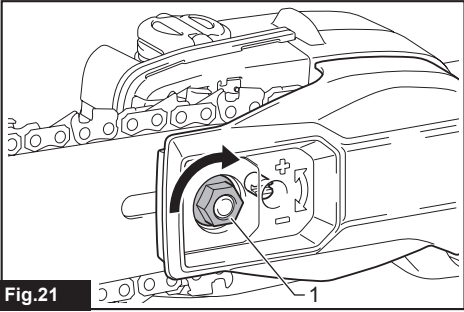


Fig.21

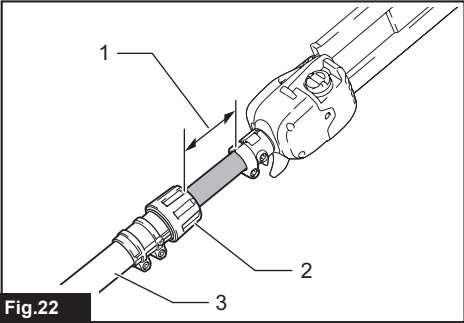


Fig.22

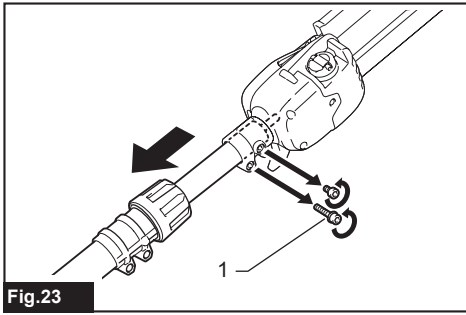


Fig.23

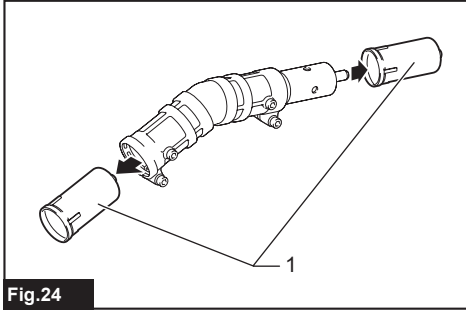


Fig.24

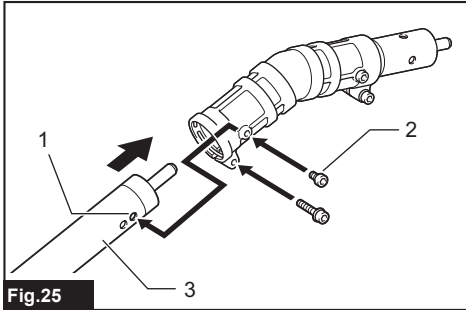


Fig.25

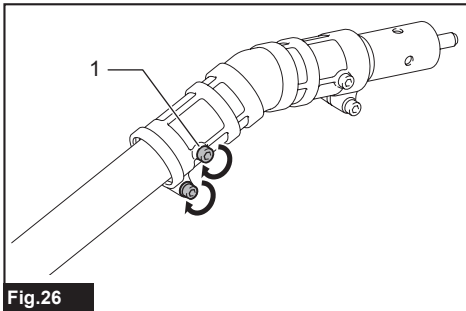
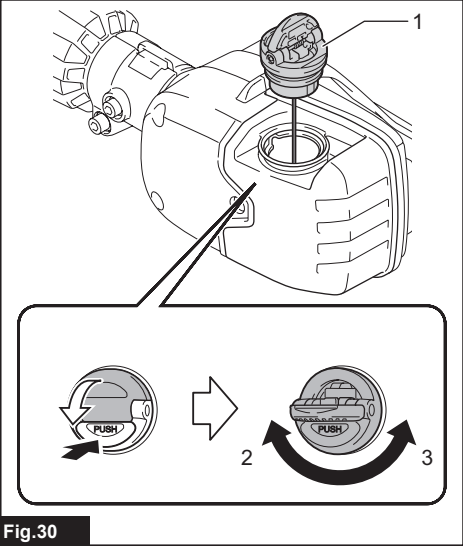
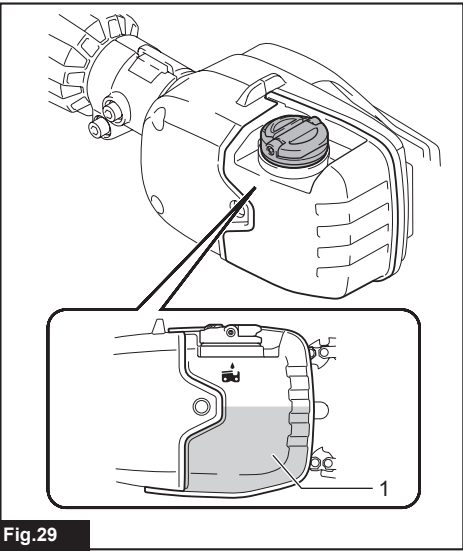
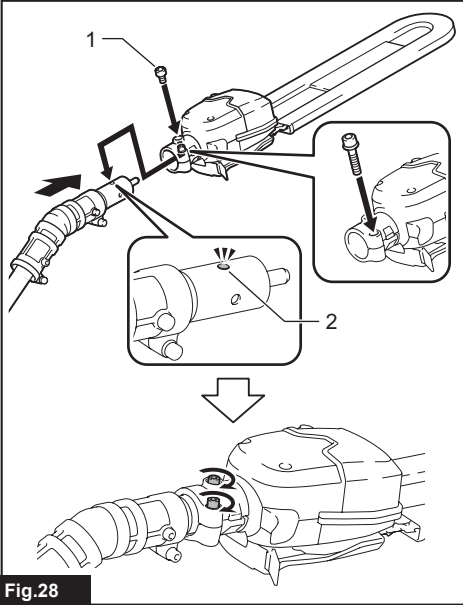
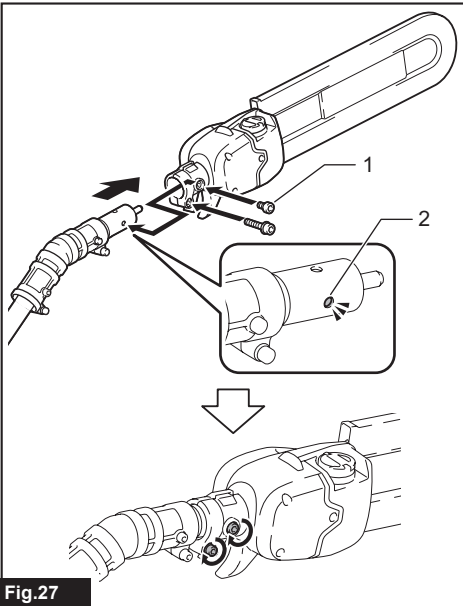


Fig.26



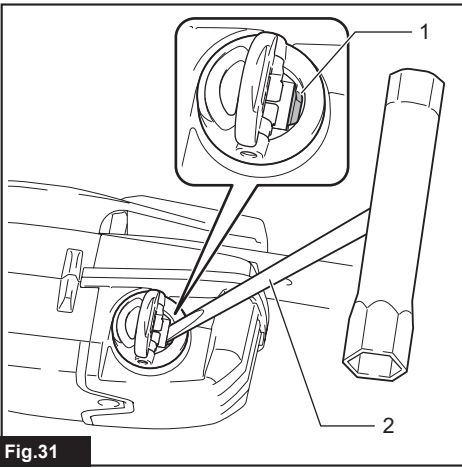


Fig.31

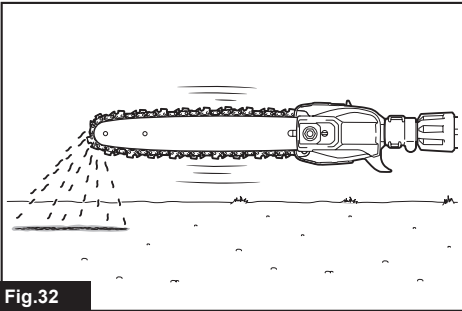


Fig.32

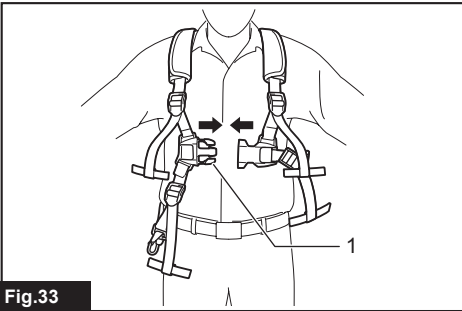


Fig.33

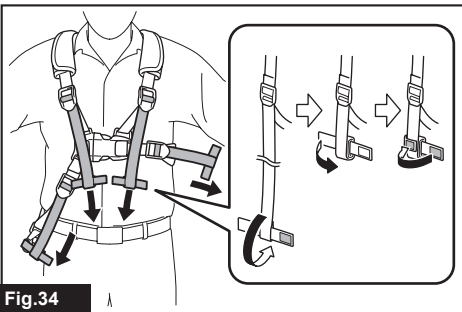


Fig.34

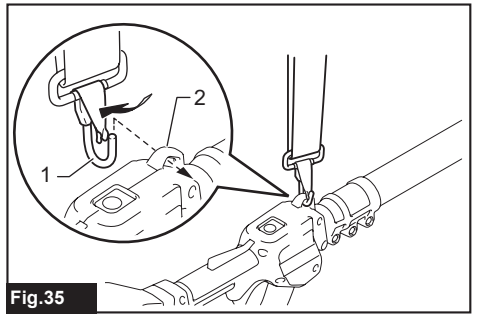


Fig.35

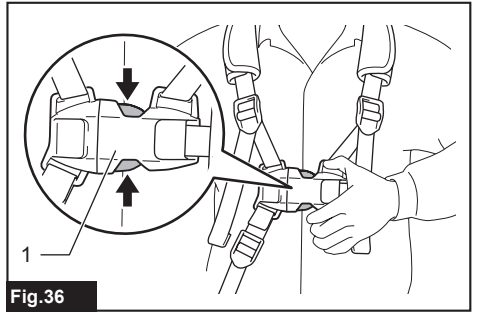


Fig.36

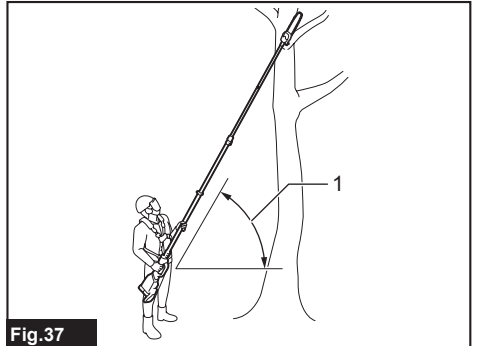


Fig.37

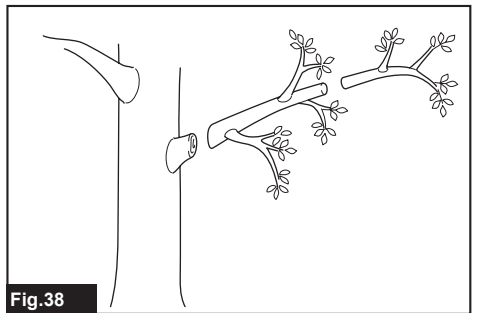


Fig.38

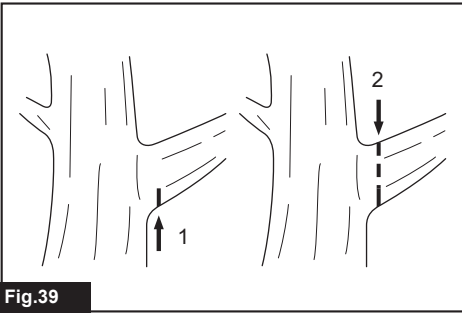


Fig.39

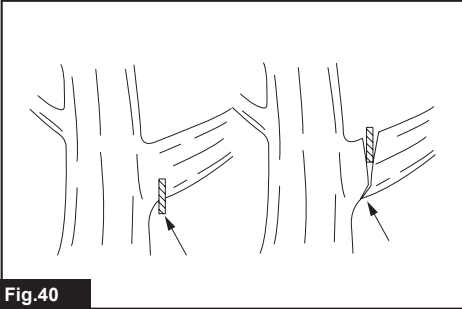


Fig.40

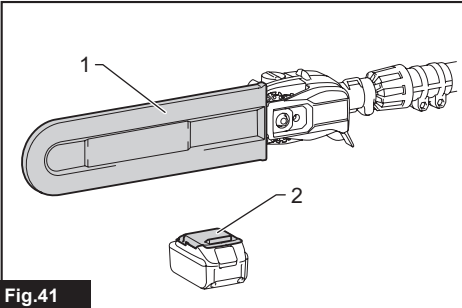


Fig.41

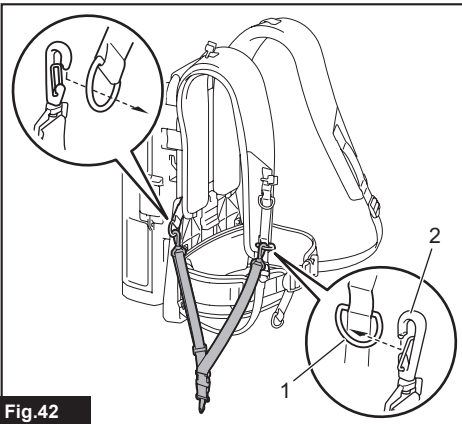


Fig.42

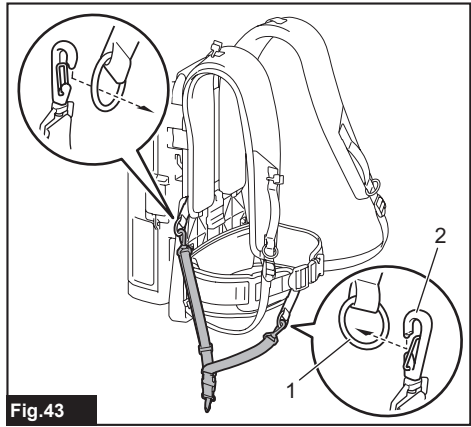


Fig.43

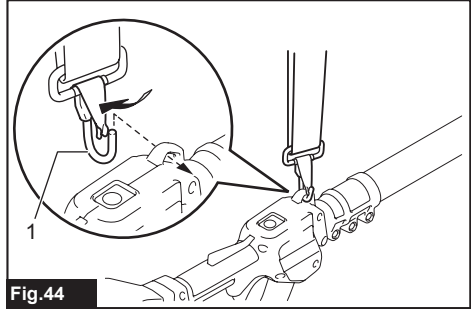


Fig.44

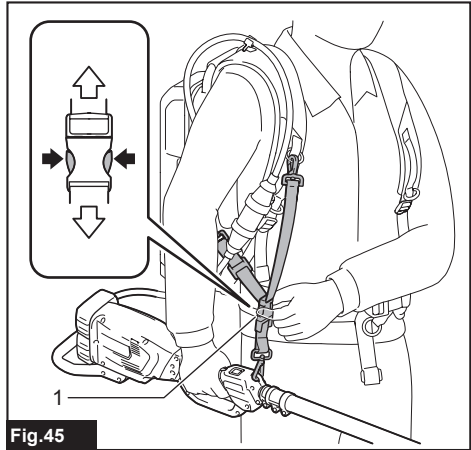
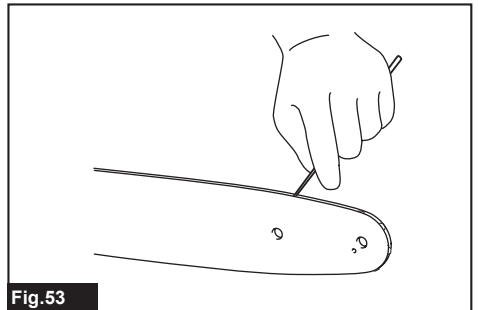
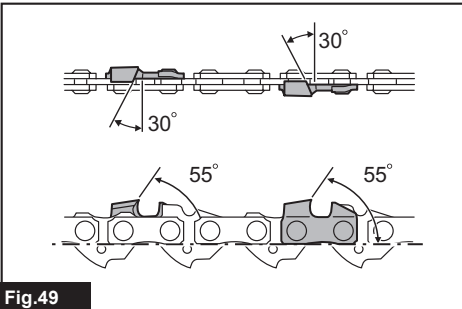
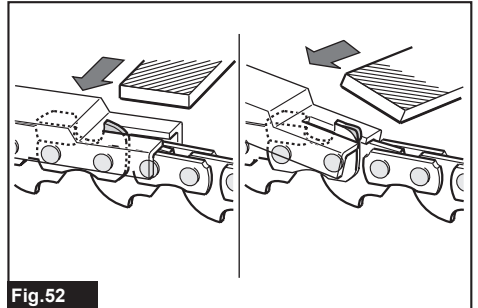
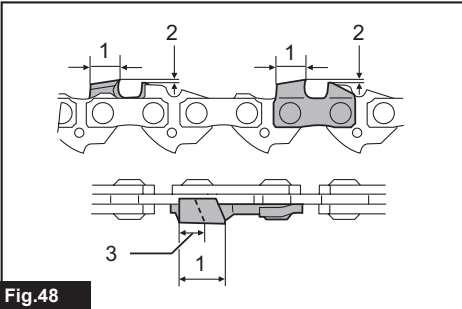
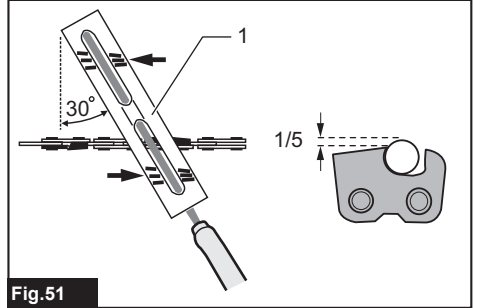
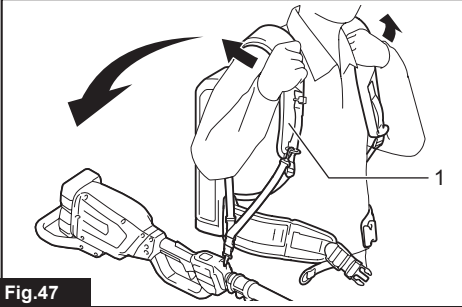
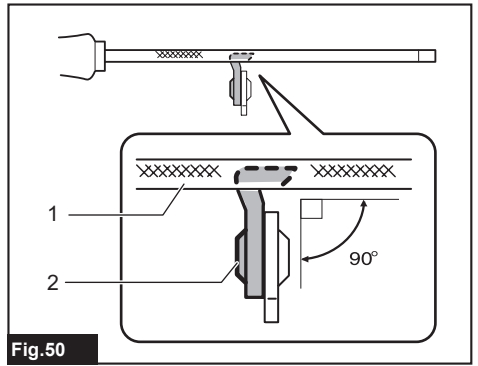
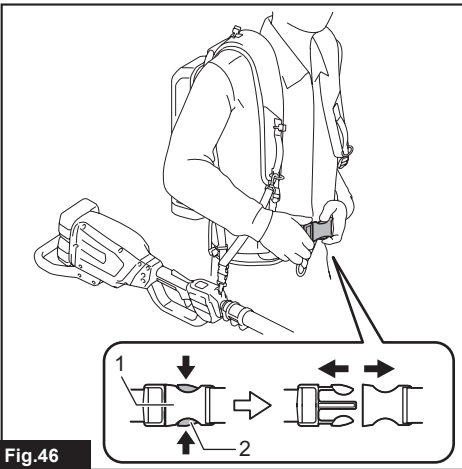


Fig.45



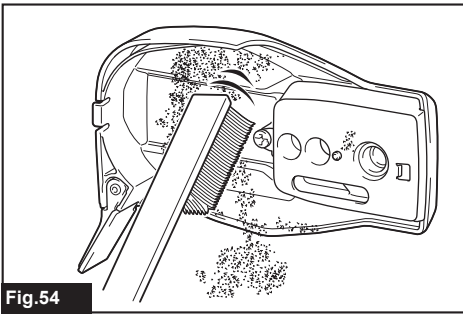


Fig.54

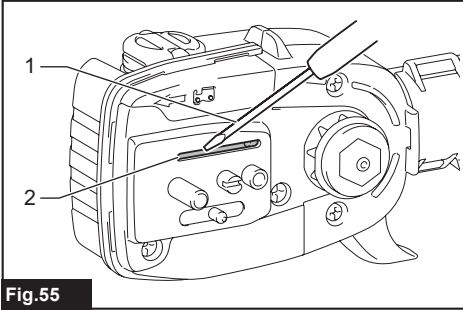


Fig.55

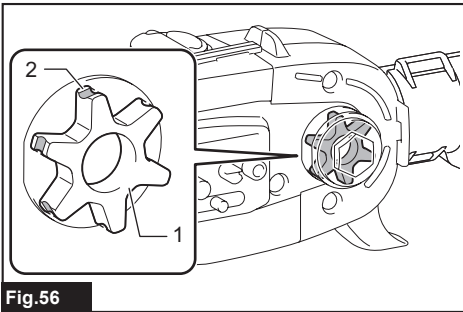


Fig.56

SPECIFICATIONS

Model:		DUA301
Overall length (without guide bar and attachment)		2,530 - 3,760 mm
Rated voltage		D.C. 36 V
Net weight	*1	7.8 kg
	*2	7.8 - 9.0 kg
Standard guide bar length		30 cm
Recommended guide bar length	with 90PX / 91PX / M41 / M43	25 - 30 cm
Applicable saw chain type (refer to the table below)		90PX / 91PX / M41 / M43
Chain speed		0 - 20 m/s (0 - 1,200 m/min)
Chain oil tank volume		160 cm ³

- Due to our continuing program of research and development, the specifications herein are subject to change without notice.
- Specifications may differ from country to country.

*1: Weight, with largest battery cartridge and empty oil tank, and without guide bar, chain, shoulder harness, and attachment, according to EN ISO11680-1.

*2: The lightest and heaviest combination of weight, according to EPTA-Procedure 01/2014. The weight may differ depending on the attachment(s), including the battery cartridge.

Applicable battery cartridge and charger

Battery cartridge	BL1820B / BL1830B / BL1840B / BL1850B / BL1860B
Charger	DC18RC / DC18RD / DC18RE / DC18SD / DC18SE / DC18SF / DC18SH / DC18WC

- Some of the battery cartridges and chargers listed above may not be available depending on your region of residence.

⚠ WARNING: Only use the battery cartridges and chargers listed above. Use of any other battery cartridges and chargers may cause injury and/or fire.

Recommended cord connected power source

Portable power pack	PDC01 / PDC1200 / PDC1500
---------------------	---------------------------

- The cord connected power source(s) listed above may not be available depending on your region of residence.
- Before using the cord connected power source, read instruction and cautionary markings on them.

Saw chain, guide bar, and sprocket combination

Saw chain type		90PX / M41	
Number of drive links		40	46
Guide bar	Guide bar length	25 cm	30 cm
	Cutting length	240 mm	296 mm
	Pitch	3/8"	
	Gauge	1.1 mm	
	Type	Sprocket nose bar	
Sprocket	Number of teeth	6	
	Pitch	3/8"	






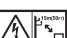





Saw chain type		91PX / M43	
Number of drive links		40	46

Saw chain type		91PX / M43	
Guide bar	Guide bar length	25 cm	30 cm
	Cutting length	240 mm	296 mm
	Pitch	3/8"	
	Gauge	1.3 mm	
	Type	Sprocket nose bar	
Sprocket	Number of teeth	6	
	Pitch	3/8"	

⚠ WARNING: Use appropriate combination of the guide bar and saw chain. Otherwise personal injury may result.

Symbols

The followings show the symbols which may be used for the equipment. Be sure that you understand their meaning before use.

	Do not expose to moisture.
	Read instruction manual.
	Wear a helmet, goggles and ear protection.
	Wear protective gloves.
	Wear sturdy boots with nonslip soles. Steeltod safety boots are recommended.
	Beware of electrical lines, risk of electrical shock.
	Keep distance at least 15 m.
	Maximum permissible cut length
	Direction of chain travel
	Chain oil tank
	Hot surfaces - Burns to fingers or hands.



Only for EU countries
Due to the presence of hazardous components in the equipment, waste electrical and electronic equipment, accumulators and batteries may have a negative impact on the environment and human health. Do not dispose of electrical and electronic appliances or batteries with household waste!

In accordance with the European Directive on waste electrical and electronic equipment and on accumulators and batteries and waste accumulators and batteries, as well as their adaptation to national law, waste electrical equipment, batteries and accumulators should be stored separately and delivered to a separate collection point for municipal waste, operating in accordance with the regulations on environmental protection.

This is indicated by the symbol of the crossed-out wheeled bin placed on the equipment.



Guaranteed sound power level according to EU Outdoor Noise Directive.



Sound power level according to Australia NSW Noise Control Regulation.

Intended use

The tool is intended for pruning branches and limbs.

Noise

The typical A-weighted noise level determined according to ISO22868(ISO11680-1):

Sound pressure level (L_{pA}) : 92 dB (A)

Sound power level (L_{WA}) : 103 dB (A)

Uncertainty (K) : 3 dB (A)

NOTE: The declared noise emission value(s) has been measured in accordance with a standard test method and may be used for comparing one tool with another.

NOTE: The declared noise emission value(s) may also be used in a preliminary assessment of exposure.

⚠️WARNING: Wear ear protection.

⚠️WARNING: The noise emission during actual use of the power tool can differ from the declared value(s) depending on the ways in which the tool is used especially what kind of workpiece is processed.

⚠️WARNING: Be sure to identify safety measures to protect the operator that are based on an estimation of exposure in the actual conditions of use (taking account of all parts of the operating cycle such as the times when the tool is switched off and when it is running idle in addition to the trigger time).

Vibration

Left handle (Front grip)		Right handle (Rear grip)		Applicable standard
ah (m/s ²)	Uncertainty K (m/s ²)	ah (m/s ²)	Uncertainty K (m/s ²)	
2.5 or less	1.5	2.8	1.5	ISO22867(ISO11680-1)

NOTE: The declared vibration total value(s) has been measured in accordance with a standard test method and may be used for comparing one tool with another.

NOTE: The declared vibration total value(s) may also be used in a preliminary assessment of exposure.

⚠️WARNING: The vibration emission during actual use of the power tool can differ from the declared value(s) depending on the ways in which the tool is used especially what kind of workpiece is processed.

⚠️WARNING: Be sure to identify safety measures to protect the operator that are based on an estimation of exposure in the actual conditions of use (taking account of all parts of the operating cycle such as the times when the tool is switched off and when it is running idle in addition to the trigger time).

Declarations of Conformity

For European countries only

The Declarations of conformity are included in Annex A to this instruction manual.

SAFETY WARNINGS

General power tool safety warnings

⚠️WARNING Read all safety warnings, instructions, illustrations and specifications provided with this power tool. Failure to follow all instructions listed below may result in electric shock, fire and/or serious injury.

Save all warnings and instructions for future reference.

The term "power tool" in the warnings refers to your mains-operated (corded) power tool or battery-operated (cordless) power tool.

Cordless pole saw safety warnings

General precautions

1. Before starting the tool, read this instruction manual to become familiar with the handling of the tool.
2. Do not lend the tool to a person with

insufficient experience or knowledge regarding handling of the tool.

3. When lending the tool, always attach this instruction manual.
4. Do not allow children or young persons under 18 years old to use the tool. Keep them away from the tool.
5. Handle the tool with the utmost care and attention.
6. Never use the tool after consuming alcohol or drugs, or if feeling tired or ill.
7. Never attempt to modify the tool.
8. Do not use the tool in bad weather conditions, especially when there is a risk of lightning. This decreases the risk of being struck by lightning.
9. National regulations may restrict of the use of the tool. Follow the regulations about handling of the tool in your country.

Personal protective equipment

1. Wear safety helmet, protective goggles and protective gloves to protect yourself from flying debris or falling objects.
2. Wear ear protection such as ear muffs to prevent hearing loss.
3. Wear proper clothing and shoes for safe operation, such as a work overall and sturdy, non-slip shoes. Do not wear loose clothing or jewelry. Loose clothes, jewelry or long hair can be caught in moving parts.
4. When handling the saw chain or adjusting the

chain tension, wear protective gloves. Saw chain can cut bare hands severely.

Work area safety

1. **Keep the tool at least 15 m away from electric lines and communication cables (including any branches contacting them). Touching or approaching high-voltage lines with the tool can result in death or serious injury. Watch power lines and electrical fences around the work area before starting operation.**
2. **Operate the tool under good visibility and daylight conditions only. Do not operate the tool in darkness or fog.**
3. **During operation, never stand on an unstable or slippery surface or a steep slope. During the cold season, beware of ice and snow and always ensure secure footing.**
4. **During operation, keep bystanders or animals at least 15 m away from the tool. Stop the tool as soon as someone approaches.**
5. **When working with two or more people, keep a distance of at least 15 m or more between each other, and put a supervisor.**
6. **Before operation, examine the work area for wire fences, walls, or other solid objects. They can damage the saw chain.**

Preparation

1. **Before assembling or adjusting the tool, switch off the tool and remove the battery cartridge.**
2. **Before handling the saw chain or adjusting the chain tension, wear protective gloves.**
3. **Before starting the tool, inspect the tool for damages, loose screws/nuts or improper assembly. Sharpen blunt saw chain. If the saw chain is bent or damaged, replace it. Check all control levers and switches for easy action. Clean and dry the grips.**
4. **Never attempt to start the tool if the tool is damaged or not fully assembled. Otherwise serious injury may result.**
5. **Adjust the shoulder harness to suit the operator's body size.**
6. **Adjust the chain tension properly. Refill the chain oil, if necessary.**

Starting the tool

1. **Wear the personal protective equipments before starting the tool.**
2. **Before starting the tool, make sure that there is no person or animal in the work area.**
3. **When installing the battery cartridge, keep the saw chain and guide bar clear of your body and other object, including the ground. The saw chain may move when starting and may cause serious injury or damage to the saw chain and/or property.**
4. **Place the tool on firm ground. Maintain good balance and secure footing.**

Operation

1. **In the event of an emergency, switch off the tool immediately.**
2. **If you notice any unusual condition (e.g. noise, vibration) during operation, switch off the tool.**

Do not use the tool until the cause is recognized and solved.

3. **The saw chain continues to move for a short period after switching off the tool. Don't rush to contact the saw chain.**
4. **During operation, use the shoulder harness. Keep the tool on your right side firmly.**
5. **Hold the front grip with your left hand and the rear grip with your right hand, no matter you are right-hander or left-hander. Wrap your fingers and thumbs around the grips.**
6. **Hold the tool by insulated gripping surfaces only, because the saw chain may contact hidden wiring. A saw chain contacting a "live" wire may make exposed metal parts of the extended-reach pruner "live" and could give the operator an electric shock.**
7. **Never attempt to operate the tool with one hand. Loss of control may result in serious or fatal injury. To reduce the risk of injury, keep your hands and feet away from the saw chain.**
8. **Do not overreach. Keep proper footing and balance at all times. Watch for hidden obstacles such as tree stumps, roots and ditches to avoid stumbling. Clear fallen branches and other objects away.**
9. **Never work on a ladder or tree to avoid loss of control.**
10. **If the tool gets heavy impact or fall, check the condition before continuing work. If there is any damage or doubt, ask Makita authorized service center for the inspection and repair.**
11. **Do not touch the head of the tool. The head of the tool becomes hot during operation.**
12. **Take a rest to prevent loss of control caused by fatigue. We recommend to take a 10 to 20-minute rest every hour.**
13. **When you leave the tool, even if it is a short time, always switch off the tool and remove the battery cartridge. The running and unattended tool may be used by unauthorized person and cause serious accident.**
14. **When operating the tool, do not raise your right hand above your shoulder height.**
15. **During operation, never hit the saw chain against hard obstacles such stones and nails. Take particular care when cutting branches next to walls, wire fences or the like.**
16. **If branches get caught in the tool, always stop the tool and remove the battery cartridge. Otherwise unintentional start may cause serious injury.**
17. **If the saw chain becomes clogged, always switch off the tool and remove the battery cartridge before cleaning.**
18. **Accelerating the tool with the saw chain blocked increases the load and will damage the tool.**
19. **Before cutting limbs, keep an escape area away from the falling limb. First, clear obstructs such as limbs and branches from the work area. Move all tools and goods from the escape area to another safe place.**
20. **Before cutting branches and limbs, check**

the falling direction of them, considering the condition of branches and limbs, adjoining trees, wind direction, etc. Pay full attention to the falling direction, and the rebound of the branch, which hit the ground.

21. Never hold the tool at an angle of more than 60°. Otherwise falling objects can hit the operator and cause serious injury. Never stand underneath the limb being cut.
22. Pay attention to broken or bent branches. They may bounce back in cutting, causing unexpected injury.
23. Before cutting limbs that you intend to cut, remove branches and leaves around them. Otherwise the saw chain may be caught by them.
24. To prevent the saw chain from being caught in the kerf, do not release the lever before pulling the saw chain out of the kerf.
25. If the saw chain is bound in the kerf, immediately stop the tool, carefully move the branch to open the kerf and release the saw chain.
26. Avoid kickback (rotational reactive force towards the operator). To prevent kickback, never use the guide bar nose or perform a penetrating cut. Always beware of the position of the guide bar nose.
27. Check the chain tension frequently. When checking or adjusting the chain tension, switch off the tool and remove the battery cartridge. If the tension is loose, tighten it.

Vibration

1. Exposing to excessive vibration injures blood vessels or nervous system of the operator and causes the following symptoms in the fingers, hands or wrists: "Falling asleep" (numbness), tingling, pain, stabbing sensation, or alteration of skin color or of the skin. If any of these symptoms occur, see a physician. To reduce the risk of "white finger disease", keep your hands warm during operation and well maintain the tool and accessories. For operating time, follow your local regulations or physician's advice.

Transport

1. Before transporting the tool, switch off the tool and remove the battery cartridge. Always fit the guide bar cover during transportation.
2. When transporting the tool, carry it in a horizontal position by holding the grip.

Maintenance

1. Have your equipment serviced by our authorized service center, always using only genuine replacement parts. Incorrect repair and poor maintenance can shorten the life of the tool and increase the risk of accidents.
2. Before doing any maintenance or repair work or cleaning the tool, always switch off the tool and remove the battery cartridge. Wait until the tool cools down.
3. Always wear protective gloves when handling the saw chain.
4. After each use, tighten all screws and nuts, except for adjustment screws.
5. Keep the saw chain sharp. If the saw chain

has become blunt and cutting performance is poor, ask Makita authorized service center to sharpen it or replace it with new one.

6. Do not attempt any maintenance or repair not described in this instruction manual. Ask Makita authorized service center for such work.
7. Always use Makita genuine spare parts and accessories only. Using parts or accessories supplied by a third party may result in the tool breakdown, property damage and/or serious injury.

Storage

1. Before storing the tool, perform full cleaning and maintenance. Fit the guide bar cover. Remove the battery cartridge. Drain the chain oil after the tool cools down.
2. Store the tool in a dry and high or locked location out of reach of children.
3. Do not prop the tool against something, such as a wall. Otherwise it may fall suddenly and cause an injury.

Electrical and battery safety

1. Do not dispose of the battery(ies) in a fire. The cell may explode. Check with local codes for possible special disposal instructions.
2. Do not open or mutilate the battery(ies). Released electrolyte is corrosive and may cause damage to the eyes or skin. It may be toxic if swallowed.
3. Do not charge battery in rain, or in wet locations.
4. Do not charge the battery outdoors.
5. Do not handle charger, including charger plug, and charger terminals with wet hands.
6. Avoid dangerous environment. Don't use the tool in damp or wet locations or expose it to rain. Water entering the tool will increase the risk of electric shock.

SAVE THESE INSTRUCTIONS.

⚠WARNING: DO NOT let comfort or familiarity with product (gained from repeated use) replace strict adherence to safety rules for the subject product. MISUSE or failure to follow the safety rules stated in this instruction manual may cause serious personal injury.

Important safety instructions for battery cartridge

1. Before using battery cartridge, read all instructions and cautionary markings on (1) battery charger, (2) battery, and (3) product using battery.
2. Do not disassemble or tamper with the battery cartridge. It may result in a fire, excessive heat, or explosion.
3. If operating time has become excessively shorter, stop operating immediately. It may result in a risk of overheating, possible burns and even an explosion.
4. If electrolyte gets into your eyes, rinse them

out with clear water and seek medical attention right away. It may result in loss of your eyesight.

5. Do not short the battery cartridge:
 - (1) Do not touch the terminals with any conductive material.
 - (2) Avoid storing battery cartridge in a container with other metal objects such as nails, coins, etc.
 - (3) Do not expose battery cartridge to water or rain.
- A battery short can cause a large current flow, overheating, possible burns and even a breakdown.
6. Do not store and use the tool and battery cartridge in locations where the temperature may reach or exceed 50 °C (122 °F).
7. Do not incinerate the battery cartridge even if it is severely damaged or is completely worn out. The battery cartridge can explode in a fire.
8. Do not nail, cut, crush, throw, drop the battery cartridge, or hit against a hard object to the battery cartridge. Such conduct may result in a fire, excessive heat, or explosion.
9. Do not use a damaged battery.
10. The contained lithium-ion batteries are subject to the Dangerous Goods Legislation requirements.

For commercial transports e.g. by third parties, forwarding agents, special requirement on packaging and labeling must be observed.

For preparation of the item being shipped, consulting an expert for hazardous material is required. Please also observe possibly more detailed national regulations.

Tape or mask off open contacts and pack up the battery in such a manner that it cannot move around in the packaging.

11. When disposing the battery cartridge, remove it from the tool and dispose of it in a safe place. Follow your local regulations relating to disposal of battery.
12. Use the batteries only with the products specified by Makita. Installing the batteries to non-compliant products may result in a fire, excessive heat, explosion, or leak of electrolyte.
13. If the tool is not used for a long period of time,

the battery must be removed from the tool.

14. During and after use, the battery cartridge may take on heat which can cause burns or low temperature burns. Pay attention to the handling of hot battery cartridges.
15. Do not touch the terminal of the tool immediately after use as it may get hot enough to cause burns.
16. Do not allow chips, dust, or soil stuck into the terminals, holes, and grooves of the battery cartridge. It may cause heating, catching fire, burst and malfunction of the tool or battery cartridge, resulting in burns or personal injury.
17. Unless the tool supports the use near high-voltage electrical power lines, do not use the battery cartridge near high-voltage electrical power lines. It may result in a malfunction or breakdown of the tool or battery cartridge.
18. Keep the battery away from children.

SAVE THESE INSTRUCTIONS.

⚠ CAUTION: Only use genuine Makita batteries. Use of non-genuine Makita batteries, or batteries that have been altered, may result in the battery bursting causing fires, personal injury and damage. It will also void the Makita warranty for the Makita tool and charger.

Tips for maintaining maximum battery life

1. Charge the battery cartridge before completely discharged. Always stop tool operation and charge the battery cartridge when you notice less tool power.
2. Never recharge a fully charged battery cartridge. Overcharging shortens the battery service life.
3. Charge the battery cartridge with room temperature at 10 °C - 40 °C (50 °F - 104 °F). Let a hot battery cartridge cool down before charging it.
4. When not using the battery cartridge, remove it from the tool or the charger.
5. Charge the battery cartridge if you do not use it for a long period (more than six months).

PARTS DESCRIPTION

► Fig.1

1	Main power lamp	2	Mode indicator	3	Main power switch
4	Hanger	5	Lock-off lever	6	Battery cartridge
7	Switch trigger	8	Rear grip	9	Saw chain
10	Guide bar	11	Oil tank cap	12	Lock ring
13	Retaining nut	14	Chain adjusting screw	15	Guide bar cover
16	Front grip	-	-	-	-

FUNCTIONAL DESCRIPTION

CAUTION: Always be sure that the tool is switched off and the battery cartridge is removed before adjusting or checking function on the tool.

Installing or removing battery cartridge

CAUTION: Always switch off the tool before installing or removing of the battery cartridge.

CAUTION: Hold the tool and the battery cartridge firmly when installing or removing battery cartridge. Failure to hold the tool and the battery cartridge firmly may cause them to slip off your hands and result in damage to the tool and battery cartridge and a personal injury.

To install the battery cartridge, align the tongue on the battery cartridge with the groove in the housing and slip it into place. Insert it all the way until it locks in place with a little click. If you can see the red indicator as shown in the figure, it is not locked completely.

To remove the battery cartridge, slide it from the tool while sliding the button on the front of the cartridge.

► **Fig.2:** 1. Red indicator 2. Button 3. Battery cartridge

CAUTION: Always install the battery cartridge fully until the red indicator cannot be seen. If not, it may accidentally fall out of the tool, causing injury to you or someone around you.

CAUTION: Do not install the battery cartridge forcibly. If the cartridge does not slide in easily, it is not being inserted correctly.

Indicating the remaining battery capacity

Only for battery cartridges with the indicator

Press the check button on the battery cartridge to indicate the remaining battery capacity. The indicator lamps light up for a few seconds.

► **Fig.3:** 1. Indicator lamps 2. Check button

Indicator lamps			Remaining capacity	
Lighted	Off	Blinking		
				75% to 100%
				50% to 75%
				25% to 50%
			0% to 25%	
			Charge the battery.	

Indicator lamps			Remaining capacity
Lighted	Off	Blinking	

NOTE: Depending on the conditions of use and the ambient temperature, the indication may differ slightly from the actual capacity.

NOTE: The first (far left) indicator lamp will blink when the battery protection system works.

Tool / battery protection system

The tool is equipped with a tool/battery protection system. This system automatically cuts off power to the motor to extend tool and battery life. The tool will automatically stop during operation if the tool or battery is placed under one of the following conditions:

Overload protection

When the battery is operated in a manner that causes it to draw an abnormally high current, the tool automatically stops and the main power lamp blinks in green. In this situation, turn the tool off and stop the application that caused the tool to become overloaded. Then turn the tool on to restart.

Overheat protection

When the tool or battery is overheated, the tool stops automatically and the main power lamp lights up in red. In this case, let the tool and battery cool before turning the tool on again.

NOTE: In high temperature environment, the overheat protection likely to work and the tool stops automatically.

Overdischarge protection

When the battery capacity is not enough, the tool stops automatically and the main power lamp blinks in red. In this case, remove the battery from the tool and charge the battery.

Main power switch

WARNING: Always turn off the main power switch when not in use.

To turn on the tool, press the main power switch until the main power lamp lights up in green. To turn off, press the main power switch again.

► **Fig.4:** 1. Main power lamp 2. Mode indicator 3. Main power switch

NOTE: The main power lamp blinks in green when you turn on the main power switch while holding down the lock-off lever and pulling the switch trigger. In this case, release the switch trigger and the lock-off lever, and then turn on the main power switch.

NOTE: This tool employs the auto power-off function. To avoid unintentional start up, the main power switch will automatically shut down when the switch trigger is not pulled for a certain period after the main power switch is turned on.

You can use the tool in the Torque Boost mode for cutting thick branches or hard branches. To use the tool in the Torque Boost mode, when the tool is turned off, press the main power switch for a few seconds until the mode indicator lights up in green.

NOTE: You can use the tool in the Torque Boost mode up to 60 seconds. Depending on the usage conditions, this mode shifts to the normal mode in less than 60 seconds.

NOTE: If the mode indicator blinks in green when you press the main power switch for a few seconds, the Torque Boost mode is not available. In this case, follow the steps below.

- The Torque Boost mode is not available right after the cutting operation. Wait for more than 10 seconds, and then press the main power switch for a few seconds again.
- If you use the Torque Boost mode several times, the use of the Torque Boost mode is restricted to protect the battery. If the Torque Boost mode is not available after waiting for more than 10 seconds, replace the battery cartridge with a fully charged one, or recharge the battery cartridge.

NOTE: If the main power lamp lights up in red or blinks in red or green, refer to the instructions for tool/battery protection system.

Switch action

⚠WARNING: For your safety, this tool is equipped with lock-off lever which prevents the tool from unintended starting. **NEVER use the tool if it runs when you simply pull the switch trigger without pressing the lock-off lever. Return the tool to our authorized service center for proper repairs BEFORE further usage.**

⚠WARNING: NEVER tape down or defeat purpose and function of lock-off lever.

⚠CAUTION: Before installing the battery cartridge into the tool, always check to see that the switch trigger actuates properly and returns to the "OFF" position when released.

NOTICE: Do not pull the switch trigger hard without pressing the lock-off lever. This can cause switch breakage.

To prevent the switch trigger from being accidentally pulled, a lock-off lever is provided. To start the tool, depress the lock-off lever and pull the switch trigger. The tool speed increases by increasing pressure on the switch trigger. Release the switch trigger to stop.

► **Fig.5:** 1. Switch trigger 2. Lock-off lever

Adjusting the pipe length

To extend or shorten the pipe, loosen the lock ring by turning the lock ring counterclockwise, then adjust the length of the pipe, and then tighten the ring by turning the lock ring clockwise.

► **Fig.6:** 1. Lock ring 2. Pipe

Electronic function

The tool is equipped with the electronic functions for easy operation.

- Constant speed control
The speed control function provides the constant rotation speed regardless of load conditions.

ASSEMBLY

⚠CAUTION: Always be sure that the tool is switched off and the battery cartridge is removed before carrying out any work on the tool.

⚠CAUTION: Do not touch the saw chain with bare hands. Always wear gloves when handling the saw chain.

Assembling the tool

1. Remove 2 caps from the pipe, and 1 cap from the head of the tool.

► **Fig.7:** 1. Cap 2. Pipe 3. Head of tool

2. Loosen 3 bolts, and then remove 1 bolt using the hex wrench.

► **Fig.8:** 1. Bolt

3. Insert the pipe into the tool body all the way, and then align the hole on the pipe with the hole on the tool body.

► **Fig.9:** 1. Hole 2. Pipe

4. Tighten 3 bolts using the hex wrench.

► **Fig.10:** 1. Bolt

5. Loosen 2 bolts, and then remove 1 bolt.

► **Fig.11:** 1. Bolt

6. Loosen the lock ring by turning the lock ring counterclockwise, then extend the pipe approximately 10 cm or more, and then tighten the lock ring by turning the lock ring clockwise.

► **Fig.12:** 1. Lock ring 2. 10 cm or more 3. Pipe

7. Insert the pipe into the head of the tool all the way, and then align the hole on the pipe with the hole on the head of the tool.

► **Fig.13:** 1. Hole 2. Pipe

8. Tighten 2 bolts using the hex wrench.

► **Fig.14:** 1. Bolt

Removing or installing saw chain

⚠ CAUTION: The saw chain and the guide bar are still hot just after the operation. Let them cool down enough before carrying out any work on the tool.

⚠ CAUTION: Carry out the procedure of installing or removing saw chain in a clean place free from sawdust and the like.

To remove the saw chain, perform the following steps:

1. Loosen the chain adjusting screw, then the retaining nut.

► Fig.15: 1. Chain adjusting screw 2. Retaining nut

2. Remove the sprocket cover, and then remove the saw chain and guide bar from the tool body.

To install the saw chain, perform the following steps:

1. Check the direction of the saw chain. Match the direction of the saw chain with that of the mark on the tool body.

2. Fit one end of the saw chain on the top of the guide bar. Fit the other end of the saw chain around the sprocket. Make sure that the saw chain is properly fitted on the sprocket and properly fitted in the groove of the guide bar.

3. Attach the guide bar to the tool body, aligning the hole on the guide bar with the pin on the tool body.

► Fig.16: 1. Sprocket 2. Hole

4. Insert the protrusion on the sprocket cover to the tool body, and then close the cover so that the bolt and pin on the tool body meet their counterparts on the cover.

► Fig.17: 1. Protrusion 2. Sprocket cover 3. Bolt 4. Pin

5. Tighten the retaining nut to secure the sprocket cover, then loosen it a bit for tension adjustment.

► Fig.18: 1. Retaining nut

Adjusting saw chain tension

⚠ CAUTION: Do not tighten the saw chain too much. Excessively high tension of saw chain may cause breakage of saw chain and wear of the guide bar.

⚠ CAUTION: A chain which is too loose can jump off the bar and it may cause an injury accident.

The saw chain may become loose after many hours of use. From time to time check the saw chain tension before use.

1. Loosen the retaining nut a bit to loosen the sprocket cover lightly.

► Fig.19: 1. Retaining nut

2. Lift up the guide bar tip slightly and adjust the chain tension. Turn the chain adjusting screw counterclockwise to tighten, turn it clockwise to loosen.

Tighten the saw chain until the lower side of the saw chain fits in the guide bar rail as illustrated.

► Fig.20: 1. Guide bar 2. Saw chain 3. Chain

adjusting screw

3. Keep holding the guide bar lightly and attach the sprocket cover.

Make sure that the saw chain does not loose at the lower side.

4. Tighten the retaining nut to secure the sprocket cover.

► Fig.21: 1. Retaining nut

Installing or removing the angled attachment

Optional accessory

⚠ CAUTION: Before installing or removing the angled attachment, be sure to attach the guide bar cover to the tool.

You can change the angle of the tool head by attaching the angled attachment to the tool.

1. Loosen the lock ring by turning the lock ring counterclockwise, then extend the pipe approximately 10 cm or more, and then tighten the lock ring by turning the lock ring clockwise.

► Fig.22: 1. 10 cm or more 2. Lock ring 3. Pipe

2. Loosen 2 bolts with the hex wrench, and then remove the pipe from the head of the tool.

► Fig.23: 1. Bolt

3. Remove the caps from the angled attachment.

► Fig.24: 1. Cap

4. Align the hole on the pipe with that on the attachment, and then insert the pipe into the attachment.

► Fig.25: 1. Hole 2. Bolt 3. Pipe

5. Tighten 2 bolts to fix the attachment.

► Fig.26: 1. Bolt

6. Attach the head of the tool to the attachment.

To fix the head of the tool vertically, fix the attachment by tightening the bolt to the hole on the attachment shown in the figure, and then tighten the other bolt.

► Fig.27: 1. Bolt 2. Hole

To fix the head of the tool horizontally, fix the attachment by tightening the bolt to the hole on the attachment shown in the figure, and then tighten the other bolt.

► Fig.28: 1. Bolt 2. Hole

To remove the angled attachment, perform the installation procedure in reverse.

OPERATION

Lubrication

NOTICE: When filling the chain oil for the first time, or refilling the tank after it has been completely emptied, add oil up to the bottom edge of the filler neck. The oil delivery may otherwise be impaired.

NOTICE: Use the saw chain oil exclusively for Makita chain saws or equivalent oil available in the market.

NOTICE: Never use oil including dust and particles or volatile oil.

NOTICE: When pruning trees, use botanical oil. Mineral oil may harm trees.

NOTICE: Before the cutting operation, make sure that the oil tank cap is tightened securely.

Saw chain is automatically lubricated when the tool is in operation. Check the amount of remaining oil in the oil tank periodically.

► **Fig.29:** 1. Oil tank

To refill the tank, place the tool on a flat surface, then push the button on the oil tank cap so that the button on the other side stands up, and then remove the oil tank cap by turning it.

The proper amount of oil is 160 ml. After refilling the tank, make sure that the oil tank cap is tightened securely.

► **Fig.30:** 1. Oil tank cap 2. Tighten 3. Loosen

NOTE: If it is difficult to remove the oil tank cap, insert the box wrench into the slot of the oil tank cap, and then remove the oil tank cap by turning it counterclockwise.

► **Fig.31:** 1. Slot 2. Box wrench

After refilling, hold the tool away from the tree. Start it and wait until lubrication on saw chain is adequate.

► **Fig.32**

Attaching the shoulder harness

CAUTION: When you use the tool in combination of the backpack-type power supply such as portable power pack, do not use the shoulder harness included in the tool package, but use the hanging band recommended by Makita.

If you put on the shoulder harness included in the tool package and the shoulder harness of the backpack-type power supply at the same time, removing the tool or backpack-type power supply is difficult in case of an emergency, and it may cause an accident or injury. For the recommended hanging band, ask Makita Authorized Service Centers.

CAUTION: Always use the shoulder harness attached to the tool. Before operation, adjust the shoulder harness according to the user size to prevent fatigue.

CAUTION: Before operation, make sure that the shoulder harness is properly attached to the hanger on the tool.

CAUTION: Before operation, make sure that the buckle of the shoulder harness is fastened firmly.

CAUTION: Always use the shoulder harness dedicated to this tool. Do not use other shoulder harnesses.

1. Put on the shoulder harness and fasten the buckle.

► **Fig.33:** 1. Buckle

NOTE: When removing the shoulder harness, unlock the buckle and remove the shoulder harness.

2. Adjust the shoulder harness to a comfortable working position.

► **Fig.34**

3. Clasp the hook on the shoulder harness to tool's hanger.

► **Fig.35:** 1. Hook 2. Hanger

The shoulder harness features a means of quick release. Simply squeeze the sides of the buckle to release the shoulder harness.

► **Fig.36:** 1. Buckle

Working with the tool

⚠ CAUTION: Keep all parts of the body away from the saw chain when the motor is operating.

⚠ CAUTION: Hold the tool firmly with both hands when the motor is running.

⚠ CAUTION: Do not overreach. Keep proper footing and balance at all times.

⚠ CAUTION: When cutting through branches, be careful not to lose your balance due to the weight of the tool head.

⚠ CAUTION: Always keep escape route in case a cut branch falls towards the operator.

⚠ CAUTION: Never use the tip of the guide bar for cutting. Otherwise, dangerous kickback may occur, and it may result in personal injury.

NOTICE: Never toss or drop the tool.

NOTICE: Do not cover the vents of the tool.

NOTICE: Do not force the tool. Otherwise, it may damage the tool.

Stand on a stable surface, and hold the tool away from the branches so that the angle of the tool becomes 60° or less against the horizontal ground.

▶ Fig.37: 1. 60° or less

Start the tool, and then press the saw chain onto the branch lightly.

When cutting long branches, in order to control the drop position of cut branches, divide the branch in sections and cut the branch from the tip. Pay attention to the falling branches since they may bounce in the direction of the operator after hitting the ground.

▶ Fig.38

When cutting thick branches, first make a shallow undercut and then make the finish cut from the top.

▶ Fig.39

If you try to cut off thick branches from the bottom, the branch may close in and pinch the saw chain in the cut. If you try to cut off thick branches from the top without a shallow undercut, the branch may splinter.

▶ Fig.40

Carrying tool

Before carrying the tool, always remove the battery cartridges from the tool, then attach the guide bar cover, and then shorten the pipe. Also, cover the battery cartridge with the battery cover.

▶ Fig.41: 1. Guide bar cover 2. Battery cover

Using the tool with portable power pack

Optional accessory

Use the hanging band when you use the tool with portable power pack.

Attaching the hanging band

1. Attach the hooks of the hanging band to the rings of the shoulder harness or waist belt as shown in the figure. Select the type of band and the connecting method appropriate for your usage.

▶ Fig.42: 1. Ring 2. Hook

▶ Fig.43: 1. Ring 2. Hook

2. Attach the hook to the tool.

▶ Fig.44: 1. Hook

Detaching the tool

When setting down the tool, unlock the buckle on the hanging band with one hand while holding the tool with the other hand.

▶ Fig.45: 1. Buckle

NOTE: The buckle is not equipped depending on the type of band.

If you need to release the tool quickly, follow the steps below.

1. Push the levers on the buckle of the waist belt to unlock the buckle.

▶ Fig.46: 1. Buckle 2. Lever

2. Take off the shoulder harness to release the tool and the unit.

▶ Fig.47: 1. Shoulder harness

MAINTENANCE

⚠ CAUTION: Always be sure that the tool is switched off and the battery cartridge is removed before attempting to perform inspection or maintenance.

⚠ CAUTION: Always wear gloves when performing any inspection or maintenance.

NOTICE: Never use gasoline, benzene, thinner, alcohol or the like. Discoloration, deformation or cracks may result.

To maintain product SAFETY and RELIABILITY, repairs, any other maintenance or adjustment should be performed by Makita Authorized or Factory Service Centers, always using Makita replacement parts.

Sharpening the saw chain

Sharpen the saw chain when:

- Mealy sawdust is produced when damp wood is cut;
- The chain penetrates the wood with difficulty, even when heavy pressure is applied;
- The cutting edge is obviously damaged;
- The saw pulls to the left or right in the wood. (caused by uneven sharpening of the saw chain or damage to one side only)

Sharpen the saw chain frequently but a little each time. Two or three strokes with a file are usually sufficient for

routine resharpening. When the saw chain has been resharpened several times, have it sharpened in our authorized service center.

Sharpening criteria:

⚠ WARNING: An excessive distance between the cutting edge and depth gauge increases the risk of kickback.

► **Fig.48:** 1. Cutter length 2. Distance between cutting edge and depth gauge 3. Minimum cutter length (3 mm)

- All cutter length must be equal. Different cutter lengths prevent the saw chain from running smoothly and may cause the saw chain to break.
- Do not sharpen the chain when the cutter length has reached 3 mm or shorter. The chain must be replaced with new one.
- The chip thickness is determined by the distance between the depth gauge (round nose) and the cutting edge.
- The best cutting results are obtained with following distance between cutting edge and depth gauge.
 - Chain blade 90PX / 91PX / M41 / M43 : 0.65 mm

► **Fig.49**

- The sharpening angle of 30° must be the same on all cutters. Different cutter angles cause the chain to run roughly and unevenly, accelerate wear, and lead to chain breaks.
- Use a suitable round file so that the proper sharpening angle is kept against the teeth.
 - Chain blade 90PX / 91PX / M41 / M43 : 55°

File and file guiding

- Use a special round file (optional accessory) for saw chains to sharpen the chain. Normal round files are not suitable.
- Diameter of the round file for each saw chain is as follows:
 - Chain blade 90PX : 4.5 mm
 - Chain blade 91PX / M41/ M43 : 4.0 mm
- The file should only engage the cutter on the forward stroke. Lift the file off the cutter on the return stroke.
- Sharpen the shortest cutter first. Then the length of this shortest cutter becomes the standard for all other cutters on the saw chain.
- Guide the file as shown in the figure.

► **Fig.50:** 1. File 2. Saw chain

- The file can be guided more easily if a file holder (optional accessory) is employed. The file holder has markings for the correct sharpening angle of 30° (align the markings parallel to the saw chain) and limits the depth of penetration (to 4/5 of the file diameter).

► **Fig.51:** 1. File holder

- After sharpening the chain, check the height of the depth gauge using the chain gauge tool (optional accessory).

► **Fig.52**

- Remove any projecting material, however small, with a special flat file (optional accessory).

- Round off the front of the depth gauge again.

Cleaning the guide bar

Chips and sawdust will build up in the guide bar groove. They may clog the bar groove and impair the oil flow. Clean out the chips and sawdust every time when you sharpen or replace the saw chain.

► **Fig.53**

Cleaning the sprocket cover

Chips and saw dust will accumulate inside of the sprocket cover. Remove the sprocket cover and saw chain from the tool then clean the chips and saw dust.

► **Fig.54**

Cleaning the oil discharge hole

Small dust or particles may be built up in the oil discharge hole during operation. These dust or particles may impair the oil to flow and cause an insufficient lubrication on the whole saw chain. When a poor chain oil delivery occurs at the top of guide bar, clean the oil discharge hole as follows.

1. Remove the sprocket cover and saw chain from the tool.
2. Remove the small dust or particles using a slotted screwdriver or the like.

► **Fig.55:** 1. Slotted screwdriver 2. Oil discharge hole

3. Insert the battery cartridge into the tool. Pull the switch trigger to flow built-up dust or particles off the oil discharge hole by discharging chain oil.

4. Remove the battery cartridge from the tool. Reinstall the sprocket cover and saw chain on the tool.

Replacing the sprocket

⚠ CAUTION: A worn sprocket will damage a new saw chain. Have the sprocket replaced in this case.

Before fitting a new saw chain, check the condition of the sprocket. If the sprocket is worn or damaged, ask Makita Authorized Service Centers for replacement.

► **Fig.56:** 1. Sprocket 2. Areas to be worn out

Storing the tool

1. Clean the tool before storing. Remove any chips and sawdust from the tool after removing the sprocket cover.
2. After cleaning the tool, run it under no load to lubricate the saw chain and guide bar.
3. Cover the guide bar with the guide bar cover, and then shorten the pipe.
4. Empty the oil tank.

Instructions for periodic maintenance

To ensure long life, prevent damage and ensure the full functioning of the safety features, the following maintenance must be performed regularly. Warranty claims can be recognized only if this work is performed regularly and properly. Failure to perform the prescribed maintenance work can lead to accidents! The user of the tool must not perform maintenance work which is not described in the instruction manual. All such work must be carried out by our authorized service center.

Check item / Operating time		Before operation	Everyday	Every week	Every 3 month	Annually	Before storage
Entire tool	Inspection.	✓	-	-	-	-	-
	Cleaning.	-	✓	-	-	-	-
	Check at authorized service center.	-	-	-	-	✓	✓
Saw chain	Inspection.	✓	-	-	-	-	-
	Sharpening if necessary.	-	-	-	-	-	✓
Guide bar	Inspection.	✓	✓	-	-	-	-
	Remove from the tool.	-	-	-	-	-	✓
Chain lubrication	Check the oil feed rate.	✓	-	-	-	-	-
Switch trigger	Inspection.	✓	-	-	-	-	-
Lock-off lever	Inspection.	✓	-	-	-	-	-
Oil tank cap	Check tightness.	✓	-	-	-	-	-
Screws and nuts	Inspection.	-	-	✓	-	-	-

TROUBLESHOOTING

Before asking for repairs, conduct your own inspection first. If you find a problem that is not explained in the manual, do not attempt to dismantle the tool. Instead, ask Makita Authorized Service Centers, always using Makita replacement parts for repairs.

Malfunction status	Cause	Action
The tool does not start.	Battery cartridge is not installed.	Install a charged battery cartridge.
	Battery problem (low voltage).	Recharge the battery cartridges. If recharging is not effective, replace the battery cartridge.
	Main power switch is off.	The tool is automatically turned off if it is un-operated for a certain period. Turn on the main power switch again.
The motor stops running after a little use.	Battery's charge level is low.	Recharge the battery cartridges. If recharging is not effective, replace the battery cartridge.
No oil on the chain.	Oil tank is empty.	Fill the oil tank.
	Oil guide groove is dirty.	Clean the groove.
	Poor oil delivery.	Adjust the amount of oil delivery with the adjusting screw.

Malfunction status	Cause	Action
The tool does not reach maximum RPM.	Battery cartridge is installed improperly.	Install the battery cartridges as described in this manual.
	Battery power is dropping.	Recharge the battery cartridge. If recharging is not effective, replace the battery cartridge.
	The drive system does not work correctly.	Ask the authorized service center in your region for repair.
The main power lamp is blinking in green.	Switch trigger is pulled under an unoperable condition.	Pull the switch trigger after the main power switch is turned on.
Abnormal vibration: Stop the tool immediately!	Loose guide bar or saw chain.	Adjust the guide bar and saw chain tension.
	Tool malfunction.	Ask the authorized service center in your region for repair.
The Torque Boost mode is not available after replacing the battery cartridge with a fully charged one.	Depending on the usage conditions, the Torque Boost mode is not available after replacing the battery cartridge.	Use the tool in the normal mode until the installed battery cartridge becomes empty, and then replace the battery cartridge with a fully charged one, or recharge the battery cartridge.
The saw chain cannot be installed.	The combination of saw chain and sprocket is not correct.	Use the correct combination of saw chain and sprocket by referring to the section for specifications.

OPTIONAL ACCESSORIES

⚠ CAUTION: These accessories or attachments are recommended for use with your Makita tool specified in this manual. The use of any other accessories or attachments might present a risk of injury to persons. Only use accessory or attachment for its stated purpose.

If you need any assistance for more details regarding these accessories, ask your local Makita Service Center.

- Saw chain
- Guide bar
- Guide bar cover
- Angled attachment
- File
- Makita genuine battery and charger

⚠ WARNING: If you purchase a guide bar of different length from the standard guide bar, also purchase a suitable guide bar cover together. It must fit and fully cover the guide bar on the tool.

NOTE: Some items in the list may be included in the tool package as standard accessories. They may differ from country to country.

SPÉCIFICATIONS

Modèle :		DUA301
Longueur totale (sans guide-chaîne ni accessoire)		2 530 - 3 760 mm
Tension nominale		36 V CC
Poids net	*1	7,8 kg
	*2	7,8 - 9,0 kg
Longueur du guide-chaîne standard		30 cm
Longueur de guide-chaîne recommandée	avec 90PX / 91PX / M41 / M43	25 - 30 cm
Type de chaîne applicable (reportez-vous au tableau ci-dessous.)		90PX / 91PX / M41 / M43
Vitesse de la chaîne		0 - 20 m/s (0 - 1 200 m/min)
Capacité du réservoir d'huile pour chaîne		160 cm ³

- Étant donné l'évolution constante de notre programme de recherche et de développement, les spécifications contenues dans ce manuel sont sujettes à modification sans préavis.
- Les spécifications peuvent varier suivant les pays.

*1 : Le poids, avec la batterie la plus grande et le réservoir d'huile vide, sans le guide-chaîne, la chaîne, la bandoulière et l'accessoire, selon la norme EN ISO11680-1.

*2 : Le poids combiné le plus léger et le plus lourd selon la procédure EPTA 01/2014. Le poids peut être différent selon les accessoires, notamment la batterie.

Batterie et chargeur applicables

Batterie	BL1820B / BL1830B / BL1840B / BL1850B / BL1860B
Chargeur	DC18RC / DC18RD / DC18RE / DC18SD / DC18SE / DC18SF / DC18SH / DC18WC

- Certains chargeurs et batteries répertoriés ci-dessus peuvent ne pas être disponibles selon la région où vous résidez.

⚠ AVERTISSEMENT : N'utilisez que les batteries et les chargeurs répertoriés ci-dessus. L'utilisation d'autres batteries et chargeurs peut provoquer des blessures et/ou un incendie.

Source d'alimentation connectée par cordon recommandée

Support d'alimentation portable	PDC01 / PDC1200 / PDC1500
---------------------------------	---------------------------

- La ou les sources d'alimentation connectées par cordon répertoriées ci-dessus peuvent ne pas être disponibles selon la région où vous résidez.
- Avant d'utiliser la source d'alimentation connectée par cordon, lisez les instructions et les avertissements inscrits dessus.

Combinaison de chaîne, guide-chaîne et pignon












Type de chaîne		90PX / M41	
Nombre de maillons d'entraînement		40	46
Guide-chaîne	Longueur du guide-chaîne	25 cm	30 cm
	Longueur de coupe	240 mm	296 mm
	Pas	3/8"	
	Jauge	1,1 mm	
	Type	Guide-chaîne à pignon de renvoi	
Pignon	Nombre de dents	6	
	Pas	3/8"	

Type de chaîne		91PX / M43	
Nombre de maillons d'entraînement		40	46
Guide-chaîne	Longueur du guide-chaîne	25 cm	30 cm
	Longueur de coupe	240 mm	296 mm
	Pas	3/8"	
	Jauge	1,3 mm	
	Type	Guide-chaîne à pignon de renvoi	
Pignon	Nombre de dents	6	
	Pas	3/8"	

AVERTISSEMENT : Associez correctement guide-chaîne et chaîne. Le non-respect de cette consigne peut entraîner des blessures.

Symboles

Vous trouverez ci-dessous les symboles susceptibles d'être utilisés pour l'appareil. Veuillez à comprendre leur signification avant toute utilisation.

	Ne pas exposer à l'eau.
	Lire le mode d'emploi.
	Portez un casque, des lunettes à coques et un serre-tête antibruit.
	Portez des gants de protection.
	Portez des bottes robustes à semelles antidérapantes. Il est conseillé de porter des chaussures avec embout de sécurité.
	Attention aux lignes électriques, risque d'électrocution.
	Maintenez une distance d'au moins 15 m.
	Longueur de coupe maximale admise
	Sens de déplacement de la chaîne
	Réservoir d'huile pour chaîne
	Surfaces chaudes - Risque de brûlures des doigts ou des mains.



Pour les pays de l'Union européenne uniquement

En raison de la présence de composants dangereux dans l'équipement, les déchets d'équipements électriques et électroniques, les accumulateurs et les batteries peuvent avoir un impact négatif sur l'environnement et la santé humaine.

Ne jetez pas les appareils électriques et électroniques ou les batteries avec les ordures ménagères !

Conformément à la directive européenne relative aux déchets d'équipements électriques et électroniques et aux déchets d'accumulateurs et de batteries, ainsi qu'à son adaptation à la législation nationale, les déchets d'équipements électriques, les batteries et les accumulateurs doivent être collectés séparément et déposés dans un point de collecte distinct pour déchets urbains, conformément aux réglementations en matière de protection de l'environnement.

Cela est indiqué par le symbole de la poubelle à roulettes barrée sur l'équipement.



Niveau de puissance sonore garanti selon la directive européenne sur le bruit dans l'environnement.



Niveau de puissance sonore selon la réglementation australienne NSW sur le contrôle du bruit

Utilisations

L'outil est conçu pour tailler de petites et grosses branches.

Bruit

Niveau de bruit pondéré A typique, déterminé selon ISO22868(ISO11680-1) :

Niveau de pression sonore (L_{pA}) : 92 dB (A)

Niveau de puissance sonore (L_{WA}) : 103 dB (A)

Incertitude (K) : 3 dB (A)

NOTE : La ou les valeurs d'émission de bruit déclarées ont été mesurées conformément à la méthode de test standard et peuvent être utilisées pour comparer les outils entre eux.

NOTE : La ou les valeurs d'émission de bruit déclarées peuvent aussi être utilisées pour l'évaluation préliminaire de l'exposition.

⚠️ AVERTISSEMENT : Portez un serre-tête antibruit.

⚠️ AVERTISSEMENT : L'émission de bruit lors de l'usage réel de l'outil électrique peut être différente de la ou des valeurs déclarées, suivant la façon dont l'outil est utilisé, particulièrement selon le type de pièce usinée.

⚠️ AVERTISSEMENT : Les mesures de sécurité à prendre pour protéger l'utilisateur doivent être basées sur une estimation de l'exposition dans des conditions réelles d'utilisation (en tenant compte de toutes les composantes du cycle d'utilisation, comme par exemple le moment de sa mise hors tension, lorsqu'il tourne à vide et le moment de son déclenchement).

Vibrations

Poignée gauche (prise avant)		Poignée droite (prise arrière)		Norme applicable
ah (m/s ²)	Incertitude K (m/s ²)	ah (m/s ²)	Incertitude K (m/s ²)	
2,5 ou moins	1,5	2,8	1,5	ISO22867(ISO11680-1)

NOTE : La ou les valeurs de vibration totales déclarées ont été mesurées conformément à la méthode de test standard et peuvent être utilisées pour comparer les outils entre eux.

NOTE : La ou les valeurs de vibration totales déclarées peuvent aussi être utilisées pour l'évaluation préliminaire de l'exposition.

⚠️ AVERTISSEMENT : L'émission de vibrations lors de l'usage réel de l'outil électrique peut être différente de la ou des valeurs déclarées, suivant la façon dont l'outil est utilisé, particulièrement selon le type de pièce usinée.

⚠️ AVERTISSEMENT : Les mesures de sécurité à prendre pour protéger l'utilisateur doivent être basées sur une estimation de l'exposition dans des conditions réelles d'utilisation (en tenant compte de toutes les composantes du cycle d'utilisation, comme par exemple le moment de sa mise hors tension, lorsqu'il tourne à vide et le moment de son déclenchement).

Déclarations de conformité

Pour les pays européens uniquement

Les déclarations de conformité sont fournies en Annexe A à ce mode d'emploi.

Le terme « outil électrique » dans les avertissements fait référence à l'outil électrique alimenté par le secteur (avec cordon d'alimentation) ou à l'outil électrique fonctionnant sur batterie (sans cordon d'alimentation).

Consignes de sécurité pour tronçonneuse d'élagage sur perche sans fil

CONSIGNES DE SÉCURITÉ

Consignes de sécurité générales pour outils électriques

⚠️ AVERTISSEMENT Veuillez lire toutes les consignes de sécurité, instructions, illustrations et spécifications qui accompagnent cet outil électrique. Le non-respect de toutes les instructions indiquées ci-dessous peut entraîner une électrocution, un incendie et/ou de graves blessures.

Conservez toutes les mises en garde et instructions pour référence ultérieure.

Précautions générales

1. Avant de démarrer l'outil, lisez ce manuel d'instructions pour vous familiariser avec le maniement de l'outil.
2. Ne prêtez pas l'outil à une personne ayant une expérience ou une expertise insuffisante en matière de maniement de l'outil.
3. Lorsque vous prêtez l'outil, joignez toujours ce manuel d'instructions.
4. Ne laissez pas les enfants ou les mineurs utiliser l'outil. Tenez-les à l'écart de l'outil.
5. Soyez toujours très prudent et attentif lorsque vous manipulez l'outil.
6. N'utilisez jamais l'outil sous l'emprise de l'alcool, de drogues ou de médicaments, ou si vous êtes fatigué ou malade.
7. N'essayez jamais de modifier l'outil.

8. **N'utilisez pas l'outil par mauvais temps, particulièrement en cas d'orage.** Vous éviterez ainsi d'être frappé par la foudre.
9. **Les réglementations nationales peuvent imposer des restrictions à l'utilisation de l'outil.** Respectez la réglementation applicable au maniement de l'outil dans votre pays.

Équipement de protection individuelle

1. **Portez un casque de sécurité, des lunettes à coques et des gants de protection pour vous protéger des projections de débris ou des chutes d'objets.**
2. **Portez des protections auditives comme des coquilles anti-bruit afin d'éviter une perte d'audition.**
3. **Portez des vêtements et des chaussures permettant une utilisation sécuritaire, comme une combinaison de travail et des chaussures robustes anti-dérapantes. Ne portez pas de vêtements amples ni de bijoux.** Les pièces en mouvement peuvent happer les vêtements amples, les bijoux ou les cheveux longs.
4. **Lors de la manipulation de la chaîne ou du réglage de la tension de la chaîne, portez des gants de protection.** La chaîne peut gravement couper les mains nues.

Sécurité de l'aire de travail

1. **Maintenez l'outil à au moins 15 m des lignes électriques et des câbles de communication (y compris les branches qui les touchent).** Le contact de l'outil ou la proximité avec des lignes haute tension peut provoquer des blessures graves, voire mortelles. Surveillez les lignes haute tension et les câbles électriques autour de l'aire de travail avant de mettre en marche l'outil.
2. **Utilisez uniquement l'outil si vous avez une bonne visibilité et à la lumière du jour.** N'utilisez pas l'outil dans l'obscurité ou le brouillard.
3. **Pendant le fonctionnement, ne vous tenez jamais sur une surface instable ou glissante ou sur une pente abrupte.** En hiver, faites attention au verglas et à la neige et assurez-vous toujours d'avoir un bon appui au sol.
4. **Pendant le fonctionnement, éloignez les badauds ou les animaux d'au moins 15 m de l'outil.** Arrêtez l'outil aussitôt que quelqu'un s'approche.
5. **Lorsque vous travaillez avec deux personnes ou plus, maintenez une distance d'au moins 15 m entre vous et prévoyez un superviseur.**
6. **Avant toute utilisation, examinez l'aire de travail pour vous assurer qu'elle ne présente pas de fils barbelés, de murs ou d'autres objets durs.** Ils peuvent endommager la chaîne.

Préparatifs

1. **Avant d'assembler ou de régler l'outil, éteignez l'outil et retirez la batterie.**
2. **Avant de manipuler la chaîne ou de régler la tension de la chaîne, portez des gants de protection.**
3. **Avant de démarrer l'outil, inspectez l'outil pour vous assurer qu'il n'est pas endommagé, mal**

assemblé ou que les vis/écrous sont desserrés. Affûtez la chaîne si elle est émoussée. Si la chaîne est tordue ou endommagée, remplacez-la. Vérifiez que tous les leviers de commande et les interrupteurs fonctionnent sans problème. Nettoyez et séchez les manches.

4. **N'essayez jamais de démarrer l'outil s'il est endommagé ou pas entièrement assemblé.** Sinon, vous pourriez gravement vous blesser.
5. **Réglez la bandoulière selon la corpulence de l'opérateur.**
6. **Réglez correctement la tension de la chaîne. Ajoutez de l'huile pour chaîne, au besoin.**

Démarrage de l'outil

1. **Mettez l'équipement de protection individuelle avant de démarrer l'outil.**
2. **Avant de démarrer l'outil, assurez-vous qu'il n'y a pas de personne ou d'animal dans l'aire de travail.**
3. **Lorsque vous mettez une batterie en place, éloignez la chaîne et le guide-chaîne de votre corps et d'autres objets, y compris le sol.** La chaîne pourrait bouger au démarrage et provoquer de graves blessures ou des dommages matériels et/ou à la chaîne.
4. **Placez l'outil sur un sol dur. Maintenez un bon équilibre et un bon appui au sol.**

Fonctionnement

1. **En cas d'urgence, éteignez immédiatement l'outil.**
2. **Si vous remarquez une anomalie (par exemple, bruit ou vibration) en cours de fonctionnement, éteignez l'outil. N'utilisez pas l'outil tant que la cause n'est pas connue et résolue.**
3. **La chaîne continue de bouger pendant une courte période après la mise hors tension de l'outil. Ne vous précipitez pas pour toucher la chaîne.**
4. **Pendant le fonctionnement, utilisez la bandoulière. Maintenez fermement l'outil contre vous du côté droit.**
5. **Tenez le manche avant de la main gauche et le manche arrière de la main droite que vous soyez droitier ou gaucher. Enveloppez les manches avec vos doigts et vos pouces.**
6. **Tenez l'outil uniquement par ses surfaces de prise isolées, car la chaîne pourrait entrer en contact avec le câblage caché.** Le contact de la chaîne avec un fil sous tension peut transmettre du courant dans les pièces métalliques exposées de l'élagueur télescopique et électrocuter l'opérateur.
7. **N'essayez jamais de faire fonctionner l'outil d'une main. Une perte de maîtrise peut entraîner des blessures graves, voire mortelles. Afin de réduire le risque de blessures, tenez vos mains et vos pieds à l'écart de la chaîne.**
8. **Ne vous penchez pas trop loin. Conservez un bon appui au sol et gardez votre équilibre en permanence. Soyez attentif aux obstacles cachés comme les souches d'arbre, racines ou fossés pour éviter de trébucher. Débarrassez-vous des branches tombées et autres objets.**
9. **Ne travaillez jamais depuis une échelle ou un**

arbre pour éviter de perdre le contrôle.

10. Si l'outil subit un choc violent ou tombe, vérifiez son état avant de poursuivre la tâche. En cas de dommage ou de doute, confiez l'inspection et la réparation à un centre de service après-vente Makita agréé.
11. Ne touchez pas la tête de l'outil. La tête de l'outil chauffe pendant l'utilisation.
12. Reposez-vous régulièrement pour empêcher la perte de contrôle due à la fatigue. Nous recommandons de faire une pause de 10 à 20 minutes toutes les heures.
13. Lorsque vous abandonnez l'outil, même pendant un court instant, éteignez toujours l'outil et retirez la batterie. Un outil en marche et sans surveillance peut être utilisé par une personne non autorisée et provoquer de graves accidents.
14. Lorsque vous utilisez l'outil, ne levez pas votre main droite au-dessus de vos épaules.
15. En cours de fonctionnement, ne cognez pas la chaîne contre des obstacles durs comme des pierres ou des clous. Soyez particulièrement prudent lorsque vous coupez des branches à proximité de murs, de fils barbelés ou autres.
16. Si des branches se coincent dans l'outil, éteignez toujours l'outil et retirez la batterie. Autrement, un démarrage intempestif peut provoquer de graves blessures.
17. Si la chaîne est bouchée, éteignez toujours l'outil et retirez la batterie avant de procéder au nettoyage.
18. Si vous accélérez l'outil avec la chaîne bloquée, la charge augmente, ce qui risque d'endommager l'outil.
19. Avant de couper de grosses branches, prévoyez une zone d'évacuation éloignée des branches qui tombent. Commencez par dégager les obstacles comme les petites et grosses branches de l'aire de travail. Déplacez tous les outils et les marchandises de la zone d'évacuation vers un lieu sûr.
20. Avant de couper de petites et grosses branches, vérifiez leur sens de chute en tenant compte de leur état, des arbres adjacents, de la direction du vent, etc. Portez toute votre attention au sens de chute et au rebond de la branche qui frappe le sol.
21. Ne tenez jamais l'outil à un angle supérieur à 60°. Autrement, les chutes d'objets peuvent frapper l'opérateur et provoquer de graves blessures. Ne vous tenez jamais la branche qui est coupée.
22. Faites attention aux branches cassées ou tordues. Elles peuvent rebondir lors de la coupe et provoquer des blessures inattendues.
23. Avant de couper les branches que vous prévoyez de couper, retirez les petites branches et les feuilles autour. Autrement, la chaîne pourrait se coincer dedans.
24. Pour éviter que la chaîne ne se coince dans le trait de scie, ne relâchez pas le levier avant d'avoir sorti la chaîne du trait de scie.
25. Si la chaîne est pincée par le trait de scie, arrêtez immédiatement l'outil, déplacez avec

précaution la branche pour ouvrir le trait de scie et dégager la chaîne.

26. Évitez les rebonds (force de réaction rotative en direction de l'opérateur). Pour éviter les rebonds, n'utilisez jamais le nez du guide-chaîne et n'effectuez jamais de coupe pénétrante. Soyez toujours vigilant à la position du nez du guide-chaîne.
27. Vérifiez fréquemment la tension de la chaîne. Lorsque vous vérifiez ou réglez la tension de la chaîne, éteignez l'outil et retirez la batterie. Si la tension est lâche, serrez-la.

Vibration

1. Une exposition à des vibrations excessives altère les vaisseaux sanguins ou le système nerveux de l'utilisateur et provoque les symptômes suivants dans les doigts, les mains ou les poignets : engourdissement, picotement, douleur, douleur lancinante, ou bien changement de couleur de la peau ou de la peau elle-même. Si un ou plusieurs de ces symptômes apparaissent, consultez un médecin. Pour réduire le risque du syndrome de Raynaud, gardez vos mains au chaud pendant l'utilisation et conservez en bon état l'outil et les accessoires. Pour le temps de fonctionnement, suivez vos réglementations locales ou le conseil d'un médecin.

Transport

1. Avant de transporter l'outil, éteignez l'outil et retirez la batterie. Fixez toujours le garde-chaîne pendant le transport.
2. Transportez l'outil à l'horizontale en le tenant par le manche.

Entretien

1. Confiez toujours votre équipement à notre centre de service après-vente agréé, qui n'utilise que des pièces de rechange d'origine. Une réparation incorrecte ou un mauvais entretien peuvent raccourcir la durée de service de l'outil et augmenter les risques d'accident.
2. Avant de réaliser une tâche d'entretien ou de réparation ou le nettoyage de l'outil, éteignez toujours l'outil et retirez la batterie. Patientez jusqu'à ce que l'outil refroidisse.
3. Portez toujours des gants de protection pour manipuler la chaîne.
4. Après chaque utilisation, serrez toutes les vis et tous les écrous, sauf les vis de réglage.
5. Conservez la chaîne aiguisée. Si la chaîne est émoussée et la performance de coupe médiocre, demandez à un centre de service après-vente Makita agréé de l'affûter ou de la remplacer par une neuve.
6. N'essayez pas de procéder à des tâches d'entretien ou de réparation qui ne sont pas décrites dans ce manuel d'instructions. Ces tâches doivent être effectuées par un centre de service après-vente Makita agréé.
7. Utilisez toujours des pièces de rechange et des accessoires de marque Makita uniquement. L'utilisation de pièces ou accessoires fournis par un tiers peut entraîner la panne de l'outil,

des dommages matériels et/ou corporels graves.

Rangement

1. **Avant de ranger l'outil, procédez à un nettoyage et un entretien complets. Posez le garde-chaîne. Retirez la batterie. Vidangez l'huile pour chaîne après le refroidissement de l'outil.**
2. **Rangez l'outil dans un endroit sec en hauteur ou verrouillé hors de la portée des enfants.**
3. **N'appuyez pas l'outil contre un mur, par exemple. Il risquerait de tomber brusquement et de provoquer des blessures.**

Sécurité électrique et sécurité des batteries

1. **Ne jetez pas la ou les batteries au feu.**
L'élément de la pile pourrait exploser. Consultez les codes locaux pour de possibles instructions de mise au rebut spéciales.
2. **N'ouvrez ni ne manipulez la ou les batteries.**
L'électrolyte qui s'échappe de la batterie est corrosif et peut irriter la peau ou les yeux. Il peut être toxique en cas d'ingestion.
3. **Ne chargez pas la batterie sous la pluie ou dans un endroit mouillé.**
4. **Ne pas charger la batterie à l'extérieur.**
5. **Ne manipulez pas le chargeur, y compris la fiche du chargeur et les bornes du chargeur avec les mains mouillées.**
6. **Évitez les environnements dangereux.**
N'utilisez pas l'outil dans un endroit humide, ni ne l'exposez à la pluie. Le risque d'électrocution augmente si de l'eau pénètre dans l'outil.

CONSERVEZ CES INSTRUCTIONS.

⚠ AVERTISSEMENT : NE vous laissez PAS tromper (au fil d'une utilisation répétée) par un sentiment d'aisance et de familiarité avec le produit, en négligeant le respect rigoureux des consignes de sécurité qui accompagnent le produit en question. La MAUVAISE UTILISATION de l'outil ou l'ignorance des consignes de sécurité indiquées dans ce mode d'emploi peut entraîner de graves blessures.

Consignes de sécurité importantes pour la batterie

1. **Avant d'utiliser la batterie, lisez toutes les instructions et précautions relatives (1) au chargeur de batterie, (2) à la batterie, et (3) au produit utilisant la batterie.**
2. **Ne désassemblez pas et ne modifiez pas la batterie.** Cela pourrait entraîner un incendie, une chaleur excessive ou une explosion.
3. **Cessez immédiatement l'utilisation si le temps de fonctionnement devient excessivement court. Il y a risque de surchauffe, de brûlures, voire d'explosion.**
4. **Si l'électrolyte pénètre dans vos yeux, rincez-les à l'eau claire et consultez immédiatement un médecin. Il y a risque de perte de la vue.**

5. Ne court-circuitez pas la batterie :

- (1) **Ne touchez les bornes avec aucun matériau conducteur.**
- (2) **Évitez de ranger la batterie dans un conteneur avec d'autres objets métalliques, par exemple des clous, des pièces de monnaie, etc.**
- (3) **N'exposez pas la batterie à l'eau ou à la pluie.**

Un court-circuit de la batterie peut provoquer une intensité de courant élevée, une surchauffe, parfois des brûlures et même une panne.

6. **Ne rangez ni n'utilisez l'outil et la batterie dans un endroit où la température risque d'atteindre ou de dépasser 50 °C.**
7. **Ne jetez pas la batterie au feu même si elle est sérieusement endommagée ou complètement épuisée. La batterie peut exploser au contact du feu.**
8. **Abstenez-vous de clouer, couper, écraser, jeter, laisser tomber la batterie, ou de la heurter contre un objet dur.** Cela pourrait entraîner un incendie, une chaleur excessive ou une explosion.
9. **N'utilisez pas la batterie si elle est endommagée.**
10. **Les batteries au lithium-ion contenues sont soumises aux exigences de la législation sur les marchandises dangereuses.**
Lors du transport commercial par des tierces parties ou des transitaires par exemple, des exigences spécifiques en matière d'étiquetage et d'emballage doivent être respectées. Pour la préparation de l'article expédié, il est nécessaire de consulter un expert en matériau dangereux. Veuillez également respecter les réglementations nationales susceptibles d'être plus détaillées.
Recouvrez les contacts exposés avec du ruban adhésif ou du ruban de masquage et emballez la batterie de telle sorte qu'elle ne puisse pas bouger dans l'emballage.
11. **Lors de la mise au rebut de la batterie, retirez-la de l'outil et jetez-la en lieu sûr. Suivez les réglementations locales en matière de mise au rebut des batteries.**
12. **Utilisez les batteries uniquement avec les produits spécifiés par Makita.** L'insertion de batteries dans des produits non conformes peut provoquer un incendie, une chaleur excessive, une explosion ou une fuite de l'électrolyte.
13. **Lorsque vous n'utilisez pas l'outil pendant une période prolongée, la batterie doit être retirée de l'outil.**
14. **Pendant et après l'utilisation, la batterie peut chauffer, ce qui peut entraîner des brûlures, y compris en cas de température relativement basse. Manipulez les batteries chaudes avec précaution.**
15. **Ne touchez pas la borne de l'outil immédiatement après utilisation car elle peut être assez chaude pour provoquer des brûlures.**
16. **Évitez que des copeaux, de la poussière ou du sol adhérent aux bornes, aux trous et aux**

rainures de la batterie. Cela peut provoquer un échauffement, un incendie, une explosion ou un dysfonctionnement de l'outil ou de la batterie, ce qui peut entraîner des brûlures ou des blessures.

- À moins que l'outil prenne en charge un tel usage, n'utilisez pas la batterie à proximité de lignes électriques haute tension. Cela pourrait entraîner un dysfonctionnement ou casser l'outil ou la batterie.
- Conservez la batterie hors de portée des enfants.

CONSERVEZ CES INSTRUCTIONS.

⚠ ATTENTION : N'utilisez que des batteries Makita d'origine. L'utilisation de batteries de marque autre que Makita ou de batteries modifiées peut provoquer l'explosion des batteries, ce qui présente un risque d'incendie, de dommages matériels et corporels. Cela annulera également la garantie Makita pour l'outil et le chargeur Makita.

Conseils pour assurer la durée de vie optimale de la batterie

- Chargez la batterie avant qu'elle ne soit complètement déchargée. Arrêtez toujours l'outil et rechargez la batterie quand vous remarquez que la puissance de l'outil diminue.
- Ne rechargez jamais une batterie complètement chargée. La surcharge réduit la durée de service de la batterie.
- Chargez la batterie à une température ambiante comprise entre 10 °C et 40 °C. Avant de charger une batterie chaude, laissez-la refroidir.
- Lorsque vous n'utilisez pas la batterie, retirez-la de l'outil ou du chargeur.
- Rechargez la batterie si elle est restée inutilisée pendant une période prolongée (plus de six mois).

DESCRIPTION DES PIÈCES

► Fig.1

1	Témoin d'alimentation	2	Témoin de mode	3	Interrupteur principal
4	Crochet de suspension	5	Levier de sécurité	6	Batterie
7	Gâchette	8	Manche arrière	9	Chaîne
10	Guide-chaîne	11	Bouchon du réservoir d'huile	12	Bague de retenue
13	Écrou de retenue	14	Vis de réglage de la chaîne	15	Garde-chaîne
16	Manche avant	-	-	-	-

DESCRIPTION DU FONCTIONNEMENT

⚠ ATTENTION : Assurez-vous toujours que l'outil est hors tension et que sa batterie est retirée avant de l'ajuster ou de vérifier son fonctionnement.

Insertion ou retrait de la batterie

⚠ ATTENTION : Éteignez toujours l'outil avant de mettre en place ou de retirer la batterie.

⚠ ATTENTION : Tenez fermement l'outil et la batterie lors de la mise en place ou du retrait de la batterie. Si vous ne tenez pas fermement l'outil et la batterie, ils peuvent vous glisser des mains, et s'abîmer ou vous blesser.

Pour mettre la batterie en place, alignez la languette de la batterie avec la rainure du compartiment puis insérez la batterie. Insérez-la entièrement jusqu'à entendre un léger déclic indiquant qu'elle est bien en place. Si vous pouvez voir l'indicateur rouge comme illustré sur la figure, c'est qu'elle n'est pas bien verrouillée.

Pour retirer la batterie, faites-la glisser hors de l'outil tout en faisant glisser le bouton à l'avant de la batterie.

► Fig.2: 1. Indicateur rouge 2. Bouton 3. Batterie

⚠ ATTENTION : Insérez toujours complètement la batterie jusqu'à ce que l'indicateur rouge ne soit plus visible. Sinon, elle pourrait tomber accidentellement de l'outil, au risque de vous blesser ou de blesser quelqu'un se trouvant près de vous.


















⚠ ATTENTION : N'insérez pas la batterie de force. Si elle ne glisse pas facilement, c'est que vous ne l'insérez pas correctement.

Indication de la charge restante de la batterie

Uniquement pour les batteries avec voyant lumineux

Appuyez sur le bouton de vérification sur la batterie pour indiquer la charge restante de la batterie. Les témoins s'allument pendant quelques secondes.

► Fig.3: 1. Témoins 2. Bouton de vérification

Témoins			Charge restante
Allumé	Éteint	Cignotant	
			75 % à 100 %
			
			50 % à 75 %
			25 % à 50 %
			0 % à 25 %
			Chargez la batterie.
			Anomalie possible de la batterie.
			

NOTE : Selon les conditions d'utilisation et la température ambiante, l'indication peut être légèrement différente de la capacité réelle.

NOTE : Le premier témoin (complètement à gauche) clignotera pendant le fonctionnement du système de protection de la batterie.

Système de protection de l'outil/la batterie

L'outil est équipé d'un système de protection de l'outil/la batterie. Ce système coupe automatiquement l'alimentation vers le moteur pour prolonger la durée de vie de l'outil et de la batterie. Si l'outil ou la batterie se trouve dans l'une des situations suivantes, l'outil cessera automatiquement de fonctionner.

Protection contre la surcharge

Lorsque le mode d'utilisation de la batterie entraîne un appel de courant anormalement élevé, l'outil s'arrête automatiquement et le témoin d'alimentation clignote en vert. Il faut alors mettre l'outil hors tension et arrêter la tâche qui a causé la surcharge. Remettez ensuite l'outil sous tension pour redémarrer.

Protection contre la surchauffe

En cas de surchauffe de l'outil ou de la batterie, l'outil s'arrête automatiquement et le témoin d'alimentation s'allume en rouge. Dans ce cas, laissez l'outil et la batterie refroidir avant de rallumer l'outil.

NOTE : Dans un environnement à température élevée, la protection contre la surchauffe risque de se déclencher et l'outil s'arrêtera automatiquement.

Protection contre la décharge totale de la batterie

Si la charge de la batterie est insuffisante, l'outil s'arrête automatiquement et le témoin d'alimentation s'allume en rouge. Dans ce cas, retirez la batterie de l'outil et chargez-la.

Interrupteur principal

⚠ AVERTISSEMENT : Mettez toujours l'interrupteur principal en position d'arrêt lorsque vous n'utilisez pas l'outil.

Pour mettre l'outil sous tension, appuyez sur l'interrupteur principal jusqu'à ce que le témoin d'alimentation s'allume en vert. Pour l'éteindre, appuyez de nouveau sur l'interrupteur principal.

► **Fig.4:** 1. Témoin d'alimentation 2. Témoin de mode 3. Interrupteur principal

NOTE : Le témoin d'alimentation clignote en vert lorsque vous mettez l'interrupteur principal en position de marche tout en maintenant le levier de sécurité et la gâchette enfoncés. Dans ce cas, relâchez la gâchette et le levier de sécurité, puis mettez l'interrupteur principal en position de marche.

NOTE : Cet outil dispose d'une fonction de mise hors tension automatique. Afin d'éviter tout démarrage involontaire, l'interrupteur principal est automatiquement mis en position d'arrêt lorsque vous n'appuyez pas sur la gâchette dans un certain délai après mise sous tension de l'outil.

Vous pouvez utiliser l'outil en mode de dopage du couple pour couper des branches épaisses ou des branches dures. Pour utiliser l'outil en mode de dopage du couple, avec l'outil éteint, appuyez sur l'interrupteur principal pendant quelques secondes jusqu'à ce que le témoin de mode s'allume en vert.

NOTE : Vous pouvez utiliser l'outil en mode de dopage du couple pendant 60 secondes maximum. Selon les conditions d'utilisation, ce mode bascule en mode normal en moins de 60 secondes.

NOTE : Si le témoin de mode clignote en vert lorsque vous appuyez sur l'interrupteur principal pendant quelques secondes, le mode de dopage du couple n'est pas disponible. Dans ce cas, suivez les étapes ci-dessous.

- Le mode de dopage du couple n'est pas disponible juste après la coupe. Patientez plus de 10 secondes, puis appuyez de nouveau sur l'interrupteur principal pendant quelques secondes.
- Si vous utilisez le mode de dopage du couple plusieurs fois, son usage est restreint pour protéger la batterie. Si le mode de dopage du couple n'est pas disponible après avoir patienté plus de 10 secondes, remplacez la batterie par une batterie complètement chargée ou rechargez-la.

NOTE : Si le témoin d'alimentation s'allume en rouge ou clignote en rouge ou en vert, consultez les instructions du système de protection de l'outil/de la batterie.

Fonctionnement de la gâchette

⚠️ AVERTISSEMENT : Pour votre sécurité, cet outil est équipé d'un levier de sécurité qui empêche tout démarrage involontaire. N'utilisez JAMAIS l'outil si vous pouvez le démarrer simplement en appuyant sur la gâchette sans appuyer sur le levier de sécurité. Demandez à un centre technique agréé de réaliser les réparations AVANT toute nouvelle utilisation.

⚠️ AVERTISSEMENT : Ne scotchez JAMAIS le levier de sécurité, ni n'ignorez son objectif et sa fonction.

⚠️ ATTENTION : Avant d'insérer la batterie dans l'outil, vérifiez toujours que la gâchette fonctionne bien et revient en position d'arrêt lorsque vous la relâchez.

REMARQUE : Évitez d'appuyer sur la gâchette avec force lorsque le levier de sécurité n'est pas enfoncé. Vous risqueriez de briser la gâchette.

Un levier de sécurité est prévu pour prévenir l'enclenchement accidentel de la gâchette. Pour démarrer l'outil, enfoncez le levier de sécurité puis enclenchez la gâchette. La vitesse de l'outil augmente à mesure que vous augmentez la pression sur la gâchette. Pour l'arrêter, relâchez la gâchette.

► Fig.5: 1. Gâchette 2. Levier de sécurité

Réglage de la longueur du tube

Pour allonger ou raccourcir le tube, desserrez la bague de retenue en la tournant dans le sens inverse des aiguilles d'une montre, puis réglez la longueur du tube et ensuite serrez la bague en la tournant dans le sens des aiguilles d'une montre.

► Fig.6: 1. Bague de retenue 2. Tube

Fonction électronique

L'outil est doté de fonctions électroniques pour faciliter le fonctionnement.

- Contrôle de vitesse constante
La fonction de contrôle de la vitesse offre une vitesse de rotation constante quelles que soient les conditions de charge.

ASSEMBLAGE

⚠️ ATTENTION : Assurez-vous toujours que l'outil est hors tension et que sa batterie est retirée avant d'effectuer toute tâche dessus.

⚠️ ATTENTION : Ne touchez pas la chaîne avec les mains nues. Portez toujours des gants lorsque vous manipulez la chaîne.

Assemblage de l'outil

1. Retirez 2 capuchons du tube et 1 capuchon de la tête de l'outil.

► Fig.7: 1. Capuchon 2. Tube 3. Tête de l'outil

2. Desserrez 3 boulons, puis déposez 1 boulon avec la clé hexagonale.

► Fig.8: 1. Boulon

3. Insérez à fond le tube dans le corps de l'outil, puis alignez l'orifice sur le tube avec l'orifice sur le corps de l'outil.

► Fig.9: 1. Orifice 2. Tube

4. Serrez 3 boulons avec la clé hexagonale.

► Fig.10: 1. Boulon

5. Desserrez 2 boulons, puis déposez 1 boulon.

► Fig.11: 1. Boulon

6. Desserrez la bague de retenue en la tournant dans le sens inverse des aiguilles d'une montre, puis allongez le tube d'environ 10 cm ou plus et ensuite serrez la bague de retenue en la tournant dans le sens des aiguilles d'une montre.

► Fig.12: 1. Bague de retenue 2. 10 cm ou plus 3. Tube

7. Insérez à fond le tube dans la tête de l'outil, puis alignez l'orifice sur le tube avec l'orifice sur la tête de l'outil.

► Fig.13: 1. Orifice 2. Tube

8. Serrez 2 boulons avec la clé hexagonale.

► Fig.14: 1. Boulon

Installation et retrait de la chaîne

⚠️ ATTENTION : La chaîne et le guide-chaîne sont très chauds juste après utilisation. Laissez-les refroidir suffisamment avant tout travail sur l'outil.

⚠️ ATTENTION : Procédez à l'installation ou au retrait de la chaîne dans un endroit propre, exempt de sciure et autres.

Pour enlever la chaîne, procédez comme suit :

1. Desserrez la vis de réglage de la chaîne, puis l'écrou de retenue.

► Fig.15: 1. Vis de réglage de la chaîne 2. Écrou de retenue

2. Retirez le couvre-pignon, puis retirez la chaîne et le guide-chaîne du corps de l'outil.

Pour installer la chaîne, procédez comme suit :

1. Vérifiez le sens de la chaîne. Faites correspondre le sens de la chaîne avec celui du repère sur le corps de l'outil.

2. Insérez une extrémité de la chaîne sur le dessus du guide-chaîne. Posez l'autre extrémité de la chaîne autour du pignon. Assurez-vous que la chaîne est correctement installée sur le pignon et dans la rainure du guide-chaîne.

3. Fixez le guide-chaîne au corps de l'outil en alignant l'orifice du guide-chaîne avec la goupille sur le

corps de l'outil.

► **Fig.16:** 1. Pignon 2. Orifice

4. Insérez la partie saillante sur le couvre-pignon dans le corps de l'outil, puis refermez le couvercle de sorte que le boulon et la goupille sur le corps de l'outil rencontrent leurs équivalents sur le couvercle.

► **Fig.17:** 1. Partie saillante 2. Couvre-pignon
3. Boulon 4. Goupille

5. Serrez l'écrou de retenue pour fixer en place le couvre-pignon, puis desserrez-le un peu pour ajuster la tension.

► **Fig.18:** 1. Écrou de retenue

Réglage de la tension de la chaîne

⚠ ATTENTION : Ne tendez pas trop la chaîne.
Une tension excessive de la chaîne peut entraîner la rupture de celle-ci et l'usure du guide-chaîne.

⚠ ATTENTION : Si la tension de la chaîne est insuffisante, celle-ci risque de sauter du guide-chaîne, ce qui peut entraîner un accident.

La chaîne peut se détendre au bout de plusieurs heures d'utilisation. Vérifiez de temps à autre la tension de la chaîne avant de l'utiliser.

1. Desserrez un peu l'écrou de retenue pour desserrer légèrement le couvre-pignon.

► **Fig.19:** 1. Écrou de retenue

2. Soulevez légèrement l'extrémité du guide-chaîne et ajustez la tension de la chaîne. Tournez la vis de réglage de la chaîne dans le sens inverse des aiguilles d'une montre pour la serrer et tournez-la dans le sens des aiguilles d'une montre pour la desserrer.

Tendez la chaîne jusqu'à ce que sa partie inférieure s'insère dans la rainure du guide-chaîne, comme illustré.

► **Fig.20:** 1. Guide-chaîne 2. Chaîne 3. Vis de réglage de la chaîne

3. Maintenez le guide-chaîne sans forcer et fixez en place le couvre-pignon.

Assurez-vous que la chaîne est bien tendue sur sa partie inférieure.

4. Serrez l'écrou de retenue pour fixer en place le couvre-pignon.

► **Fig.21:** 1. Écrou de retenue

Installation ou retrait de l'accessoire coudé

Accessoire en option

⚠ ATTENTION : Avant d'installer ou de retirer l'accessoire coudé, veillez à fixer le garde-chaîne sur l'outil.

Vous pouvez modifier l'angle de la tête de l'outil en fixant l'accessoire coudé sur l'outil.

1. Desserrez la bague de retenue en la tournant dans le sens inverse des aiguilles d'une montre, puis allongez le tube d'environ 10 cm ou plus et ensuite serrez la bague de retenue en la tournant dans le sens

des aiguilles d'une montre.

► **Fig.22:** 1. 10 cm ou plus 2. Bague de retenue
3. Tube

2. Desserrez 2 boulons avec la clé hexagonale, puis retirez le tube de la tête de l'outil.

► **Fig.23:** 1. Boulon

3. Retirez les capuchons de l'accessoire coudé.

► **Fig.24:** 1. Capuchon

4. Alignez l'orifice sur le tube avec celui sur l'accessoire, puis insérez le tube dans l'accessoire.

► **Fig.25:** 1. Orifice 2. Boulon 3. Tube

5. Serrez 2 boulons pour fixer l'accessoire.

► **Fig.26:** 1. Boulon

6. Fixez la tête de l'outil sur l'accessoire.

Pour fixer la tête de l'outil verticalement, fixez l'accessoire en serrant le boulon dans l'orifice sur l'accessoire illustré sur la figure, puis serrez l'autre boulon.

► **Fig.27:** 1. Boulon 2. Orifice

Pour fixer la tête de l'outil horizontalement, fixez l'accessoire en serrant le boulon dans l'orifice sur l'accessoire illustré sur la figure, puis serrez l'autre boulon.

► **Fig.28:** 1. Boulon 2. Orifice

Pour retirer l'accessoire coudé, effectuez la procédure de pose en sens inverse.

UTILISATION

Lubrification

REMARQUE : La première fois que vous faites le plein d'huile pour chaîne, ou lorsque vous refaites le plein après avoir complètement vidé le réservoir d'huile, ajoutez de l'huile jusqu'au bord inférieur du goulot de remplissage. Sinon, l'alimentation en huile risque de mal fonctionner.

REMARQUE : Utilisez uniquement l'huile pour chaîne destinée aux tronçonneuses Makita ou une huile du commerce équivalente.

REMARQUE : N'utilisez jamais une huile contaminée par des poussières ou des particules, ni une huile volatile.

REMARQUE : Lorsque vous élaguez des arbres, utilisez une huile végétale. Une huile minérale risque d'endommager les arbres.

REMARQUE : Avant de tronçonner, assurez-vous que le bouchon du réservoir d'huile est bien vissé en place.

La chaîne se lubrifie automatiquement pendant l'utilisation de l'outil. Vérifiez régulièrement la quantité d'huile restante dans le réservoir d'huile.

► **Fig.29:** 1. Réservoir d'huile

Pour remplir le réservoir, placez l'outil sur une surface plane, puis appuyez sur le bouton du bouchon du réservoir d'huile de sorte que le bouton de l'autre côté se relève, puis retirez le bouchon du réservoir d'huile en le tournant.

La quantité correcte d'huile est de 160 ml. Après avoir rempli le réservoir, vérifiez que le bouchon du réservoir d'huile est bien fermé.

- **Fig.30:** 1. Bouchon du réservoir d'huile 2. Serrer 3. Desserrer

NOTE : S'il est difficile de retirer le bouchon du réservoir d'huile, insérez la clé à œil dans la fente du bouchon du réservoir d'huile, puis retirez le bouchon du réservoir d'huile en le tournant dans le sens inverse des aiguilles d'une montre.

- **Fig.31:** 1. Fente 2. Clé à œil

Après avoir rempli le réservoir, éloignez l'outil de l'arbre. Démarrez-le et attendez que la chaîne soit bien lubrifiée.

- **Fig.32**

Fixation de la bandoulière

ATTENTION : Lorsque vous utilisez l'outil en combinaison avec une alimentation de type dorsal, comme un support d'alimentation portable, n'utilisez pas la bandoulière incluse dans l'emballage de l'outil, mais utilisez la lanière de suspension recommandée par Makita.

Si vous placez en même temps la bandoulière incluse dans l'emballage de l'outil et la bandoulière de l'alimentation de type dorsal, il est difficile de retirer l'outil ou l'alimentation de type dorsal en cas d'urgence, ce qui peut provoquer un accident ou des blessures. Pour connaître la lanière de suspension recommandée, adressez-vous aux centres de service après-vente Makita agréés.

ATTENTION : Utilisez toujours la bandoulière fixée sur l'outil. Avant utilisation, la bandoulière doit être ajustée selon la taille de l'utilisateur pour éviter la fatigue.

ATTENTION : Avant utilisation, assurez-vous que la bandoulière est correctement attachée au dispositif de suspension sur l'outil.

ATTENTION : Avant utilisation, assurez-vous que la boucle de la bandoulière est fermement serrée.

ATTENTION : Utilisez toujours la bandoulière dédiée à cet outil. N'utilisez pas d'autres bandoulières.

1. Enfilez la bandoulière et attachez la boucle.

- **Fig.33:** 1. Boucle

NOTE : Lorsque vous retirez la bandoulière, débloquez la boucle et retirez la bandoulière.

2. Ajustez la bandoulière sur une position confortable pour travailler.

- **Fig.34**

3. Refermez le crochet sur la bandoulière sur le dispositif de suspension de l'outil.

- **Fig.35:** 1. Crochet 2. Dispositif de suspension

La bandoulière est pourvue d'un système de desserrage rapide. Il suffit d'appuyer sur les côtés de la boucle pour libérer la bandoulière.

- **Fig.36:** 1. Boucle

Utilisation de l'outil

ATTENTION : Éloignez la chaîne de votre corps lorsque le moteur fonctionne.

ATTENTION : Tenez l'outil fermement avec les deux mains lorsque le moteur tourne.

ATTENTION : Ne vous penchez pas trop en avant. Conservez un bon appui au sol et gardez votre équilibre en permanence.

ATTENTION : Lorsque vous coupez à travers des branches, veillez à ne pas perdre votre équilibre en raison du poids de la tête de l'outil.

ATTENTION : Prévoyez toujours une voie d'évacuation si une branche coupée tombe dans la direction de l'opérateur.

ATTENTION : N'utilisez jamais l'extrémité du guide-chaîne pour couper. Autrement, un rebond dangereux peut survenir et provoquer des blessures.

REMARQUE : Ne jetez pas l'outil, ne le laissez pas tomber.

REMARQUE : Ne recouvrez pas les orifices d'aération de l'outil.

REMARQUE : Ne forcez pas l'outil. Autrement, vous risqueriez d'endommager l'outil.

Tenez-vous sur une surface stable et éloignez l'outil des branches de sorte que l'angle de l'outil soit inférieur ou égal à 60° par rapport au sol horizontal.

- **Fig.37:** 1. 60° ou moins

Démarrez l'outil, puis appuyez légèrement la chaîne sur la branche.

Lors de la coupe de longues branches, pour contrôler la position de chute des branches coupées, divisez la branche en sections et coupez la branche à partir de la pointe. Faites attention aux branches qui tombent, car elles peuvent rebondir dans la direction de l'opérateur après avoir heurté le sol.

- **Fig.38**

Lorsque vous coupez des branches épaisses, commencez par faire une entaille peu profonde, puis effectuez la coupe finale d'en haut.

- **Fig.39**

Si vous essayez de couper des branches épaisses d'en bas, la branche peut se rapprocher et pincer la chaîne dans la coupe. Si vous essayez de couper des branches épaisses d'en haut sans faire une entaille peu profonde, la branche peut se briser en éclats.

- **Fig.40**

Transport de l'outil

Avant de transporter l'outil, retirez toujours les batteries de l'outil, puis fixez le garde-chaîne et enfin raccourcissez le tube. Remettez également en place le couvercle de la batterie.

- **Fig.41:** 1. Garde-chaîne 2. Couvercle de batterie

Utilisation de l'outil avec le support d'alimentation portable

Accessoire en option

Utilisez la lanière de suspension lorsque vous utilisez l'outil avec le support d'alimentation portable.

Fixation de la lanière de suspension

1. Fixez les crochets de la lanière de suspension sur les anneaux de la bandoulière ou de la ceinture ventrale comme illustré sur la figure. Sélectionnez le type de lanière et la méthode de raccordement appropriés pour votre utilisation.

► Fig.42: 1. Anneau 2. Crochet

► Fig.43: 1. Anneau 2. Crochet

2. Fixez le crochet à l'outil.

► Fig.44: 1. Crochet

Retrait de l'outil

Lors du retrait de l'outil, débloquez la boucle sur la lanière de suspension avec une main tout en tenant l'outil de l'autre main.

► Fig.45: 1. Boucle

NOTE : La boucle n'est pas installée selon le type de lanière.

Si vous devez relâcher l'outil rapidement, suivez les étapes ci-dessous.

1. Enfoncez les leviers sur la boucle de la ceinture ventrale pour débloquer la boucle.

► Fig.46: 1. Boucle 2. Levier

2. Enlevez la bandoulière pour libérer l'outil et l'appareil.

► Fig.47: 1. Bandoulière

ENTRETIEN

ATTENTION : Assurez-vous toujours que l'outil est hors tension et que la batterie est retirée avant d'y effectuer tout travail d'inspection ou d'entretien.

ATTENTION : Portez toujours des gants pour effectuer toute opération d'inspection ou d'entretien.

REMARQUE : N'utilisez jamais d'essence, benzène, diluant, alcool ou autre produit similaire. Cela risquerait de provoquer la décoloration, la déformation ou la fissuration de l'outil.

Pour assurer la SÉCURITÉ et la FIABILITÉ du produit, toute réparation, tout travail d'entretien ou de réglage doivent être effectués par un centre d'entretien Makita agréé, avec des pièces de rechange Makita.

Affûtage de la chaîne

Affûtez la chaîne si :

- la coupe de bois humide produit de la sciure de bois granuleuse ;
- la chaîne pénètre difficilement dans le bois même si vous appliquez une forte pression ;
- le tranchant des gouges est nettement endommagé ;
- la tronçonneuse tire vers la gauche ou la droite dans le bois. (Cela est dû à un affûtage inégal de la chaîne ou au fait qu'elle est endommagée d'un côté seulement.)

Affûtez la chaîne régulièrement, mais légèrement. Deux ou trois coups de lime suffisent généralement pour l'affûtage de routine. Au bout de plusieurs affûtages réalisés par vos soins, faites affûter la chaîne par un centre technique agréé.

Critères d'affûtage :

AVERTISSEMENT : Une distance excessive entre le tranchant de la gouge et le limiteur de profondeur augmente le risque de choc en retour.

► Fig.48: 1. Longueur du tranchant de la gouge
2. Distance entre le tranchant de la gouge et le limiteur de profondeur. 3. Longueur minimale du tranchant de la gouge (3 mm)

- Tous les tranchants de gouge doivent être de la même longueur. Si les tranchants de gouge sont de longueur inégale, la chaîne tourne de manière irrégulière et risque de casser.
- N'affûtez pas la chaîne lorsque la longueur du tranchant de la gouge est inférieure ou égale à 3 mm. Remplacez la chaîne par une chaîne neuve.
- L'épaisseur du copeau est déterminée par la différence de hauteur entre le limiteur de profondeur (nez rond) et le tranchant de la gouge.
- Les meilleurs résultats de coupe sont obtenus pour les différences de hauteur suivantes entre le limiteur de profondeur et le tranchant de la gouge.
 - Chaîne 90PX / 91PX / M41 / M43 : 0,65 mm

► Fig.49

- L'angle d'affûtage de tous les tranchants de gouge doit être de 30°. Si les angles des tranchants sont inégaux, la chaîne tourne de manière irrégulière, s'use plus rapidement et risque de casser.
- Utilisez une lime ronde adaptée pour conserver le bon angle sur tous les tranchants.
 - Chaîne 90PX / 91PX / M41 / M43 : 55°

Lime et limage

- Utilisez une lime ronde spéciale (accessoire en option) pour affûter la chaîne. Les limes rondes ordinaires ne conviennent pas.
 - Le diamètre de la lime ronde varie en fonction du type de chaîne :
 - Chaîne 90PX : 4,5 mm
 - Chaîne 91PX / M41 / M43 : 4,0 mm
 - La lime ne doit mordre le tranchant de la gouge qu'en avançant. Relevez la lime au retour.
 - Affûtez d'abord le tranchant de gouge le plus court. La longueur du tranchant le plus court servira ensuite de référence pour toutes les autres tranchants de gouge de la chaîne.
 - Passez la lime comme illustré sur la figure.
- Fig.50: 1. Lime 2. Chaîne

- Le limage sera plus facile si vous utilisez un porte-lime (accessoire en option). Le porte-lime comporte des repères indiquant le bon angle d'affûtage (30°) ; placez les repères parallèlement à la chaîne. Il limite aussi la profondeur de pénétration (max. 4/5 du diamètre de la lime).

► **Fig.51: 1. Porte-lime**

- Une fois la chaîne affûtée, vérifiez la hauteur du limiteur de profondeur à l'aide du gabarit de la chaîne (accessoire en option).

► **Fig.52**

- Supprimez toute aspérité restante, aussi petite soit-elle, à l'aide d'une lime plate spéciale (accessoire en option).
- Arrondissez encore une fois l'avant du limiteur de profondeur.

Nettoyage du guide-chaîne

Des copeaux et de la sciure peuvent s'accumuler dans la rainure du guide-chaîne. Ils risquent de boucher la rainure, et d'affecter la lubrification. Enlevez les copeaux et la sciure chaque fois que vous affûtez ou remplacez la chaîne de la tronçonneuse.

► **Fig.53**

Nettoyage du couvre-pignon

Des copeaux et de la sciure peuvent s'accumuler à l'intérieur du couvre-pignon. Retirez le couvre-pignon et la chaîne de l'outil, puis enlevez les copeaux et la sciure.

► **Fig.54**

Nettoyage de l'orifice de sortie de l'huile

Des poussières ou particules peuvent s'accumuler dans l'orifice de sortie de l'huile pendant l'utilisation. Ces poussières et particules peuvent affecter l'écoulement de l'huile, ce qui entraînerait une mauvaise lubrification

Instructions d'entretien périodique

Pour assurer une bonne longévité, éviter les détériorations et garantir le bon fonctionnement des dispositifs de sécurité, réalisez régulièrement les tâches d'entretien suivantes. La garantie n'est accordée que si ces tâches sont réalisées régulièrement et correctement. Le non-respect des obligations relatives aux tâches d'entretien peut entraîner des accidents ! L'utilisateur de l'outil ne doit pas réaliser de tâches d'entretien non décrites dans le manuel d'instructions. Toutes ces tâches doivent être effectuées par notre centre de service après-vente agréé.

Élément à vérifier/Périodicité		Avant utilisation	Chaque jour	Chaque semaine	Tous les 3 mois	Tous les ans	Avant remisage
Outil entier	Inspection	✓	-	-	-	-	-
	Nettoyage	-	✓	-	-	-	-
	Vérification par un centre technique agréé	-	-	-	-	✓	✓
Chaîne	Inspection	✓	-	-	-	-	-
	Aiguisage si nécessaire	-	-	-	-	-	✓

de la totalité de la chaîne. Lorsque la partie supérieure du guide-chaîne n'est pas correctement alimentée en huile, nettoyez l'orifice de sortie de l'huile en procédant comme suit.

1. Retirez le couvre-pignon et la chaîne de l'outil.

2. Enlevez la poussière et les particules à l'aide d'un tournevis plat ou équivalent.

► **Fig.55: 1. Tournevis plat 2. Orifice de sortie de l'huile**

3. Insérez la batterie dans l'outil. Appuyez sur la gâchette pour que les poussières et particules accumulées dans l'orifice de sortie de l'huile soient évacuées par l'écoulement de l'huile.

4. Retirez la batterie de l'outil. Remettez en place le couvre-pignon et la chaîne sur l'outil.

Remplacement du pignon

ATTENTION : Si vous utilisez une chaîne neuve avec un pignon usé, vous risquez d'endommager la chaîne. Dans ce cas, remplacez le pignon.

Avant de poser une chaîne neuve, vérifiez l'état du pignon. Si le pignon est usé ou endommagé, demandez à un centre de service après-vente Makita agréé de le remplacer.

► **Fig.56: 1. Pignon 2. Zones d'usure**

Remisage de l'outil

1. Nettoyez l'outil avant de le ranger. Enlevez les copeaux et la sciure de bois de l'outil après avoir retiré le couvre-pignon.

2. Après avoir nettoyé l'outil, faites le tourner à vide pour lubrifier la chaîne et le guide-chaîne.

3. Remettez le garde-chaîne sur le guide-chaîne, puis raccourcissez le tube.

4. Videz le réservoir d'huile.

Élément à vérifier/Périodicité		Avant utilisation	Chaque jour	Chaque semaine	Tous les 3 mois	Tous les ans	Avant remisage
Guide-chaîne	Inspection	✓	✓	-	-	-	-
	Retirez de l'outil.	-	-	-	-	-	✓
Lubrification de la chaîne	Vérification du débit de l'alimentation en huile	✓	-	-	-	-	-
Gâchette	Inspection	✓	-	-	-	-	-
Levier de sécurité	Inspection	✓	-	-	-	-	-
Bouchon du réservoir d'huile	Vérification du serrage	✓	-	-	-	-	-
Vis et écrous	Inspection	-	-	✓	-	-	-

GUIDE DE DÉPANNAGE

Avant de faire une demande de réparation, effectuez d'abord vous-même une inspection. Si vous rencontrez un problème non documenté dans le mode d'emploi, n'essayez pas de démonter l'outil. Demandez plutôt à un centre de service après-vente Makita agréé d'effectuer la réparation au moyen de pièces de rechange Makita.

Dysfonctionnement	Cause	Remède
L'outil ne démarre pas.	La batterie n'est pas installée.	Installez une batterie chargée.
	Problème de batterie (sous tension)	Rechargez les batteries. Si vous n'arrivez pas à recharger les batteries, remplacez-les.
	Interrupteur principal en position d'arrêt.	L'outil s'éteint automatiquement s'il n'est pas utilisé pendant un certain temps. Mettez à nouveau l'interrupteur principal en position de marche.
Le moteur arrête de tourner après une courte utilisation.	Faible niveau de charge de la batterie	Rechargez les batteries. Si vous n'arrivez pas à recharger les batteries, remplacez-les.
Pas d'huile sur la chaîne.	Réservoir d'huile vide	Remplissez le réservoir d'huile.
	La rainure de lubrification est encrassée.	Nettoyez la rainure de lubrification.
	Mauvaise alimentation en huile.	Réglez le débit de l'alimentation en huile à l'aide de la vis de réglage.
L'outil ne tourne pas à plein régime.	La batterie est mal installée.	Installez les batteries comme décrit dans le présent manuel.
	La charge de la batterie baisse.	Rechargez la batterie. Si vous n'arrivez pas à recharger les batteries, remplacez-les.
	Le système d'entraînement ne fonctionne pas correctement.	Ces réparations doivent être effectuées par un centre technique agréé.
Le témoin d'alimentation clignote en vert.	Vous appuyez sur la gâchette dans des conditions ne permettant pas d'utiliser l'outil.	Une fois l'interrupteur principal en position de marche, enclenchez la gâchette.
Vibrations anormales : Arrêtez immédiatement l'outil !	Guide-chaîne ou chaîne desserrés	Réglez le guide-chaîne et la tension de la chaîne.
	Dysfonctionnement de l'outil	Ces réparations doivent être effectuées par un centre technique agréé.
Le mode de dopage du couple n'est pas disponible après avoir remplacé la batterie par une batterie complètement chargée.	Selon les conditions d'utilisation, le mode de dopage du couple n'est pas disponible après le remplacement de la batterie.	Utilisez l'outil en mode normal jusqu'à ce que la batterie installée se vide, puis remplacez la batterie par une batterie complètement chargée ou rechargez-la.
La chaîne ne peut pas être mise en place.	La combinaison de la chaîne et du pignon est incorrecte.	Utilisez la bonne combinaison de chaîne et de pignon en vous reportant à la section des spécifications.

ACCESSOIRES EN OPTION

⚠ ATTENTION : Ces accessoires ou pièces complémentaires sont recommandés pour l'utilisation avec l'outil Makita spécifié dans ce mode d'emploi. L'utilisation de tout autre accessoire ou pièce complémentaire peut comporter un risque de blessure. N'utilisez les accessoires ou pièces complémentaires qu'aux fins auxquelles ils ont été conçus.

Pour obtenir plus de détails sur ces accessoires, contactez votre centre d'entretien local Makita.

- Chaîne
- Guide-chaîne
- Garde-chaîne
- Accessoire coudé
- Lime
- Batterie et chargeur de marque Makita

⚠ AVERTISSEMENT : Si vous achetez un guide-chaîne dont la longueur est différente de celle du guide-chaîne standard, achetez aussi un garde-chaîne adapté. Il doit s'insérer et recouvrir entièrement le guide-chaîne sur l'outil.

NOTE : Il se peut que certains éléments de la liste soient compris dans l'emballage de l'outil en tant qu'accessoires standard. Ils peuvent varier d'un pays à l'autre.

TECHNISCHE DATEN

Modell:		DUA301
Gesamtlänge (ohne Schwert und Aufsatz)		2.530 - 3.760 mm
Nennspannung		36 V Gleichstrom
Nettogewicht	*1	7,8 kg
	*2	7,8 - 9,0 kg
Standard-Schwertlänge		30 cm
Empfohlene Schwertlänge	mit 90PX / 91PX / M41 / M43	25 - 30 cm
Zutreffender Sägekettentyp (siehe die nachstehende Tabelle)		90PX / 91PX / M41 / M43
Kettengeschwindigkeit		0 - 20 m/s (0 - 1.200 m/min)
Kettenöltank-Inhalt		160 cm ³

- Wir behalten uns vor, Änderungen der technischen Daten im Zuge der Entwicklung und des technischen Fortschritts ohne vorherige Ankündigung vorzunehmen.
- Die technischen Daten können von Land zu Land unterschiedlich sein.

*1: Gewicht mit größtem Akku und leerem Öltank, und ohne Schwert, Kette, Schultergurt und Aufsatz, gemäß EN ISO11680-1.

*2: Leichteste und schwerste Gewichtskombination, gemäß EPTA-Verfahren 01/2014. Das Gewicht kann abhängig von dem Aufsatz (den Aufsätzen), einschließlich des Akkus, unterschiedlich sein.

Zutreffende Akkus und Ladegeräte

Akku	BL1820B / BL1830B / BL1840B / BL1850B / BL1860B
Ladegerät	DC18RC / DC18RD / DC18RE / DC18SD / DC18SE / DC18SF / DC18SH / DC18WC

- Einige der oben aufgelisteten Akkus und Ladegeräte sind je nach Ihrem Wohngebiet eventuell nicht erhältlich.

⚠️ WARNUNG: Verwenden Sie nur die oben aufgeführten Akkus und Ladegeräte. Bei Verwendung irgendwelcher anderer Akkus und Ladegeräte besteht Verletzungs- und/oder Brandgefahr.

Empfohlene kabelgebundene Stromquelle

Rückentragbare Akku-Bank	PDC01 / PDC1200 / PDC1500
--------------------------	---------------------------

- Die oben aufgelisteten kabelgebundenen Stromquellen sind je nach Ihrem Wohngebiet eventuell nicht erhältlich.
- Lesen Sie vor Gebrauch der kabelgebundenen Stromquelle die daran angebrachten Anweisungen und Warmmarkierungen durch.

Sägeketten-, Schwert- und Kettenradkombination

Sägekettentyp		90PX / M41	
Anzahl der Antriebsglieder		40	46
Schwert	Schwertlänge	25 cm	30 cm
	Schnittlänge	240 mm	296 mm
	Teilung	3/8"	
	Treibgliedstärke	1,1 mm	
	Typ	Umlenksternschwert	
Kettenrad	Zähnezahl	6	
	Teilung	3/8"	

Sägekettentyp		91PX / M43	
Anzahl der Antriebsglieder		40	46
Schwert	Schwertlänge	25 cm	30 cm
	Schnittlänge	240 mm	296 mm
	Teilung	3/8"	
	Treibgliedstärke	1,3 mm	
	Typ	Umlenksternschwert	
Kettenrad	Zähnezahl	6	
	Teilung	3/8"	

⚠️ WARNUNG: Verwenden Sie eine geeignete Kombination von Schwert und Sägekette. Anderenfalls kann es zu Personenschaden kommen.

Symbole

Nachfolgend werden Symbole beschrieben, die für das Gerät verwendet werden können. Machen Sie sich unbedingt vor der Benutzung mit ihrer Bedeutung vertraut.

	Keiner Feuchtigkeit aussetzen.
	Betriebsanleitung lesen.
	Helm, Schutzbrille und Gehörschutz tragen.
	Schutzhandschuhe tragen.
	Festes Schuhwerk mit rutschfesten Sohlen tragen. Sicherheitsschuhe mit Stahl-Zehenkappen werden empfohlen.
	Vorsicht vor elektrischen Leitungen-Stromschlaggefahr.
	Mindestens 15 m Abstand halten.
	Höchstzulässige Schnittlänge
	Kettenumlaufrichtung
	Kettenöltank
	Heiße Oberflächen - Verbrennungen von Fingern oder Händen.



Nur für EU-Länder
Aufgrund des Vorhandenseins gefährlicher Komponenten in der Ausrüstung können Elektro- und Elektronik-Altgeräte, Akkumulatoren und Batterien sich negativ auf die Umwelt und die menschliche Gesundheit auswirken. Entsorgen Sie Elektro- und Elektronikgeräte oder Batterien nicht mit dem Hausmüll!
In Übereinstimmung mit der Europäischen Richtlinie über Elektro- und Elektronik-Altgeräte, Akkumulatoren und Batterien, verbrauchte Akkumulatoren und Batterien sowie ihrer Anpassung an nationales Recht sollten Elektro-Altgeräte, Batterien und Akkumulatoren gemäß den Umweltschutzbestimmungen getrennt gelagert und zu einer getrennten Sammelstelle für Siedlungsabfälle geliefert werden.
Dies wird durch das am Gerät angebrachte Symbol der durchgestrichenen Abfalltonne auf Rädern angezeigt.



Garantierter Schalleistungspegel gemäß der EU-Richtlinie über Außenlärm.



Schalleistungspegel gemäß der australischen NSW-Lärmschutzverordnung

Vorgesehene Verwendung

Das Werkzeug ist für das Abschneiden von Zweigen und Ästen vorgesehen.

Geräusch

Typischer A-bewerteter Geräuschpegel ermittelt gemäß ISO22868(ISO11680-1):
Schalldruckpegel (L_{pA}): 92 dB (A)
Schalleistungspegel (L_{WA}): 103 dB (A)
Messunsicherheit (K): 3 dB (A)

HINWEIS: Der (Die) angegebene(n) Schallemissionswert(e) wurde(n) im Einklang mit der Standardprüfmethode gemessen und kann (können) für den Vergleich zwischen Werkzeugen herangezogen werden.

HINWEIS: Der (Die) angegebene(n) Schallemissionswert(e) kann (können) auch für eine Vorbewertung des Gefährdungsgrads verwendet werden.

⚠️ WARNUNG: Einen Gehörschutz tragen.

⚠️ WARNUNG: Die Schallemission während der tatsächlichen Benutzung des Elektrowerkzeugs kann je nach der Benutzungsweise des Werkzeugs, und speziell je nach der Art des bearbeiteten Werkstücks, von dem (den) angegebenen Wert(en) abweichen.

⚠️ WARNUNG: Identifizieren Sie Sicherheitsmaßnahmen zum Schutz des Benutzers anhand einer Schätzung des Gefährdungsgrads unter den tatsächlichen Benutzungsbedingungen (unter Berücksichtigung aller Phasen des Arbeitszyklus, wie z. B. Ausschalt- und Leerlaufzeiten des Werkzeugs zusätzlich zur Betriebszeit).

Schwingungen

Linker Handgriff (Frontgriff)		Rechter Handgriff (hinterer Griff)		Zutreffender Standard
ah (m/s ²)	Messunsicherheit K (m/s ²)	ah (m/s ²)	Messunsicherheit K (m/s ²)	
2,5 oder weniger	1,5	2,8	1,5	ISO22867(ISO11680-1)

HINWEIS: Der (Die) angegebene(n) Vibrationsgesamtwert(e) wurde(n) im Einklang mit der Standardprüfmethode gemessen und kann (können) für den Vergleich zwischen Werkzeugen herangezogen werden.

HINWEIS: Der (Die) angegebene(n) Vibrationsgesamtwert(e) kann (können) auch für eine Vorbewertung des Gefährdungsgrads verwendet werden.

⚠️ WARNUNG: Die Vibrationsemission während der tatsächlichen Benutzung des Elektrowerkzeugs kann je nach der Benutzungsweise des Werkzeugs, und speziell je nach der Art des bearbeiteten Werkstücks, von dem (den) angegebenen Emissionswert(en) abweichen.

⚠️ WARNUNG: Identifizieren Sie Sicherheitsmaßnahmen zum Schutz des Benutzers anhand einer Schätzung des Gefährdungsgrads unter den tatsächlichen Benutzungsbedingungen (unter Berücksichtigung aller Phasen des Arbeitszyklus, wie z. B. Ausschalt- und Leerlaufzeiten des Werkzeugs zusätzlich zur Betriebszeit).

Konformitätserklärungen

Nur für europäische Länder

Die Konformitätserklärungen sind in Anhang A dieser Betriebsanleitung enthalten.

SICHERHEITSWARNUNGEN

Allgemeine Sicherheitswarnungen für Elektrowerkzeuge

⚠️ WARNUNG Lesen Sie alle Sicherheitshinweise, Anweisungen, Abbildungen und Spezifikationen, die diesem Elektrowerkzeug beiliegen. Eine Missachtung der unten aufgeführten Anweisungen kann zu einem elektrischen Schlag, Brand und/oder schweren Verletzungen führen.

Bewahren Sie alle Warnungen und Anweisungen für spätere

Bezugnahme auf.

Der Ausdruck „Elektrowerkzeug“ in den Warnhinweisen bezieht sich auf Ihr mit Netzstrom (mit Kabel) oder Akku (ohne Kabel) betriebenes Elektrowerkzeug.

Sicherheitswarnungen für Akku-Hochentaster

Allgemeine Vorsichtsmaßnahmen

1. **Bevor Sie das Werkzeug in Betrieb nehmen, sollten Sie diese Betriebsanleitung durchlesen, um sich mit der Handhabung des Werkzeugs vertraut zu machen.**
2. **Leihen Sie das Werkzeug keiner Person mit ungenügender Erfahrung oder Kenntnissen bezüglich der Handhabung des Werkzeugs.**
3. **Wenn Sie das Werkzeug verleihen, fügen Sie stets diese Betriebsanleitung bei.**
4. **Lassen Sie nicht zu, dass Kinder oder Jugendliche unter 18 Jahren das Werkzeug benutzen. Halten Sie solche Personen vom Werkzeug fern.**
5. **Behandeln Sie das Werkzeug mit äußerster Sorgfalt und Aufmerksamkeit.**
6. **Benutzen Sie das Werkzeug niemals nach der Einnahme von Alkohol oder Drogen, oder**

wenn Sie sich müde oder krank fühlen.

7. **Versuchen Sie niemals, das Werkzeug zu modifizieren.**
8. **Vermeiden Sie die Benutzung des Werkzeugs bei schlechten Witterungsverhältnissen, besonders bei Blitzschlaggefahr.** Dadurch wird die Gefahr, von einem Blitz getroffen zu werden, verringert.
9. **Der Gebrauch des Werkzeugs kann durch Vorschriften des jeweiligen Landes eingeschränkt sein. Befolgen Sie die Vorschriften über die Handhabung des Werkzeugs in Ihrem Land.**

Persönliche Schutzausrüstung

1. **Tragen Sie einen Schutzhelm, eine Schutzbrille und Schutzhandschuhe, um sich vor zersplitterndem Unrat oder fallenden Gegenständen zu schützen.**
2. **Tragen Sie einen Gehörschutz, wie z. B. Ohrenschützer, um eine Gehörschädigung zu verhindern.**
3. **Tragen Sie sachgerechte Kleidung und Schuhe für sicheren Betrieb, wie z. B. einen Arbeitsoverall und robustes, rutschfestes Schuhwerk. Tragen Sie keine lose Kleidung oder Schmuck. Lose Kleidung, Schmuck oder langes Haar können sich in beweglichen Teilen verfangen.**
4. **Tragen Sie Schutzhandschuhe bei der Handhabung der Sägekette oder beim Einstellen der Kettenspannung. Die Sägekette kann schwere Verletzungen an bloßen Händen verursachen.**

Sicherheit im Arbeitsbereich

1. **Halten Sie das Werkzeug mindestens 15 m von Stromleitungen und Kommunikationskabeln (einschließlich damit in Berührung befindlichen Ästen) entfernt. Eine Berührung von oder Annäherung an Hochspannungsleitungen mit dem Werkzeug kann zum Tod oder schweren Verletzungen führen. Achten Sie auf Starkstromleitungen und elektrische Zäune im Umfeld des Arbeitsbereichs, bevor Sie mit der Arbeit beginnen.**
2. **Betreiben Sie das Werkzeug nur bei Tageslicht unter guten Sichtverhältnissen. Betreiben Sie das Werkzeug nicht bei Dunkelheit oder Nebel.**
3. **Stellen Sie sich während der Arbeit niemals auf eine instabile oder schlüpfrige Fläche oder einen steilen Hang. Nehmen Sie sich während der kalten Jahreszeit vor Eis und Schnee in Acht, und achten Sie stets auf sicheren Stand.**
4. **Halten Sie Umstehende oder Tiere während der Arbeit mindestens 15 m vom Werkzeug entfernt. Halten Sie das Werkzeug an, sobald jemand sich nähert.**
5. **Wenn Sie mit zwei oder mehr Personen arbeiten, halten Sie einen Abstand von mindestens 15 m zwischeneinander ein, und beauftragen Sie eine Aufsichtsperson.**
6. **Untersuchen Sie den Arbeitsbereich vor Arbeitsbeginn auf Drahtzäune, Mauern oder andere feste Objekte. Diese können die Sägekette beschädigen.**

Vorbereitung

1. **Schalten Sie das Werkzeug aus, und nehmen Sie den Akku ab, bevor Sie das Werkzeug zusammenbauen oder einstellen.**
2. **Tragen Sie Schutzhandschuhe, bevor Sie die Sägekette handhaben oder die Kettenspannung einstellen.**
3. **Überprüfen Sie das Werkzeug auf Beschädigung, lose Schrauben/Muttern oder falschen Zusammenbau, bevor Sie das Werkzeug starten. Schärfen Sie eine stumpfe Sägekette. Falls die Sägekette verbogen oder beschädigt ist, tauschen Sie sie aus. Überprüfen Sie alle Bedienungshebel und Schalter auf Leichtgängigkeit. Säubern und trocknen Sie die Handgriffe.**
4. **Versuchen Sie niemals, das Werkzeug zu starten, wenn das Werkzeug beschädigt oder nicht vollständig zusammengebaut ist. Anderenfalls kann es zu ernsthaften Verletzungen kommen.**
5. **Stellen Sie den Schultergurt auf die Körpergröße des Bedieners ein.**
6. **Stellen Sie die Kettenspannung ordnungsgemäß ein. Füllen Sie bei Bedarf Kettenöl nach.**

Starten des Werkzeugs

1. **Ziehen Sie persönliche Schutzausrüstung an, bevor Sie das Werkzeug starten.**
2. **Vergewissern Sie sich vor dem Starten des Werkzeugs, dass sich keine Personen oder Tiere im Arbeitsbereich aufhalten.**
3. **Wenn Sie einen Akku einsetzen, halten Sie die Sägekette und das Schwert von Ihrem Körper und anderen Objekten, einschließlich des Bodens, fern. Die Sägekette kann sich beim Starten bewegen und schwere Verletzungen oder Sachschäden an der Sägekette und/oder an Eigentum verursachen.**
4. **Legen Sie das Werkzeug auf festen Boden. Behalten Sie gutes Gleichgewicht und sicheren Stand bei.**

Betrieb

1. **Schalten Sie das Werkzeug im Notfall unverzüglich aus.**
2. **Falls Sie während des Betriebs einen ungewöhnlichen Zustand (z. B. Geräusche, Vibrationen) feststellen, schalten Sie das Werkzeug aus. Benutzen Sie das Werkzeug erst wieder, nachdem die Ursache festgestellt und behoben worden ist.**
3. **Die Sägekette läuft nach dem Ausschalten des Werkzeugs noch kurz weiter. Berühren Sie daher die Sägekette nicht voreilig.**
4. **Benutzen Sie den Schultergurt während des Betriebs. Halten Sie das Werkzeug sicher auf Ihrer rechten Seite.**
5. **Halten Sie dabei den vorderen Handgriff mit der linken Hand und den hinteren Handgriff mit der rechten Hand, egal ob Sie Rechts- oder Linkshänder sind. Umschließen Sie die Griffe mit Ihren Fingern und Daumen.**
6. **Halten Sie das Werkzeug nur an den isolierten Griffflächen, weil die Sägekette verborgene Leitungen kontaktieren kann. Bei Kontakt der Sägekette mit einem Strom führenden**

Kabel können die freiliegenden Metallteile des Hochentasters mit verlängerter Reichweite ebenfalls Strom führend werden, so dass der Benutzer einen elektrischen Schlag erleiden kann.

7. **Versuchen Sie niemals, das Werkzeug mit nur einer Hand zu bedienen. Ein Verlust der Kontrolle kann zu schweren oder tödlichen Verletzungen führen. Um die Gefahr von Verletzungen zu verringern, halten Sie Ihre Hände und Füße von der Sägekette fern.**
8. **Beugen Sie sich bei der Arbeit nicht zu weit vor. Achten Sie stets auf sicheren Stand und Gleichgewicht. Achten Sie auf verborgene Hindernisse, wie z. B. Baumstümpfe, Wurzeln und Gräben, um Stolpern zu vermeiden. Räumen Sie heruntergefallene Äste und andere Gegenstände weg.**
9. **Arbeiten Sie niemals auf einer Leiter oder einem Baum, um Verlust der Kontrolle zu vermeiden.**
10. **Falls das Werkzeug einen schweren Aufprall oder Sturz erleidet, überprüfen Sie seinen Zustand, bevor Sie die Arbeit fortsetzen. Falls Sie einen Schaden feststellen oder Zweifel haben, wenden Sie sich bezüglich einer Inspektion und Reparatur an ein autorisiertes Makita-Service-Center.**
11. **Berühren Sie nicht den Werkzeugkopf. Der Werkzeugkopf wird während des Betriebs heiß.**
12. **Machen Sie eine Pause, um durch Müdigkeit verursachten Verlust der Kontrolle zu verhindern. Wir empfehlen, jede Stunde eine Pause von 10 bis 20 Minuten einzulegen.**
13. **Wenn Sie das Werkzeug unbeaufsichtigt lassen, auch nur für kurze Zeit, schalten Sie stets das Werkzeug aus, und entfernen Sie den Akku. Wenn Sie das unbeaufsichtigte Werkzeug laufen lassen, kann es von einer unbefugten Person benutzt werden und einen schweren Unfall verursachen.**
14. **Heben Sie Ihre rechte Hand während des Betriebs des Werkzeugs nicht über Ihre Schulterhöhe.**
15. **Stoßen Sie die Sägekette während des Betriebs niemals gegen harte Hindernisse, wie z. B. Steine und Nägel. Lassen Sie besondere Vorsicht walten, wenn Sie Äste in der Nähe von Mauern, Drahtzäunen oder dergleichen schneiden.**
16. **Falls Äste sich im Werkzeug verfangen, halten Sie stets das Werkzeug an, und nehmen Sie den Akku ab. Anderenfalls kann unbeabsichtigtes Anlaufen eine schwere Verletzung verursachen.**
17. **Falls die Sägekette zugesetzt wird, schalten Sie stets das Werkzeug aus, und nehmen Sie den Akku ab, bevor Sie mit der Reinigung beginnen.**
18. **Beschleunigen des Werkzeugs mit blockierter Sägekette erhöht die Belastung und führt zu einer Beschädigung des Werkzeugs.**
19. **Bevor Sie Äste abschneiden, halten Sie einen Fluchtbereich in sicherem Abstand von dem herunterfallenden Ast frei. Säubern Sie den Arbeitsbereich zunächst von Hindernissen, wie z. B. Ästen und Zweigen. Tragen Sie**

alle Werkzeuge und Gegenstände von dem Fluchtbereich zu einem anderen sicheren Platz.

20. **Bevor Sie Zweige und Äste abschneiden, überprüfen Sie ihre Fallrichtung unter Berücksichtigung ihres Zustands, angrenzender Bäume, Windrichtung usw. Schenken Sie der Fallrichtung und dem Rückprall der Äste, die auf den Boden auftreffen, Ihre volle Aufmerksamkeit.**
21. **Halten Sie das Werkzeug niemals in einem Winkel von mehr als 60°. Anderenfalls können herunterfallende Objekte den Bediener treffen und schwere Verletzungen verursachen. Stellen Sie sich niemals unter Ast, den Sie abschneiden.**
22. **Achten Sie auf gebrochene oder verbogene Äste. Sie können beim Schneiden zurückprallen und unerwartete Verletzungen verursachen.**
23. **Bevor Sie zum Abschneiden vorgesehene Äste abschneiden, entfernen Sie Zweige und Blätter in ihrem Umfeld. Anderenfalls kann die Sägekette von ihnen erfasst werden.**
24. **Um zu verhindern, dass die Sägekette in der Schnittfuge hängen bleibt, lassen Sie den Hebel nicht los, bevor Sie die Sägekette aus der Schnittfuge herausgezogen haben.**
25. **Falls die Sägekette in der Schnittfuge klemmt, halten Sie sofort das Werkzeug an, und bewegen Sie den Ast vorsichtig, um die Schnittfuge zu öffnen und die Sägekette zu befreien.**
26. **Vermeiden Sie Rückschlag (Reaktionsdrehkraft in Richtung des Bedieners). Um Rückschlag zu verhindern, benutzen Sie niemals die Schwertschneidspitze, und führen Sie auch keinen Einschnitt durch. Achten Sie stets auf die Position der Schwertschneidspitze.**
27. **Überprüfen Sie die Kettenspannung häufig. Um die Kettenspannung zu überprüfen oder die Kettenspannung einzustellen, schalten Sie das Werkzeug aus, und nehmen Sie den Akku ab. Falls die Sägekette zu locker ist, spannen Sie sie.**

Vibrationen

1. **Einwirkung von übermäßigen Vibrationen kann zu einer Verletzung der Blutgefäße oder des Nervensystems des Bedieners führen und kann die folgenden Symptome in den Fingern, Händen oder Handgelenken verursachen: „Einschlafen“ (Taubheit) von Körperteilen, Kribbeln, Schmerz, Stechen, Veränderung von Hautfarbe oder Haut. Falls eines dieser Symptome auftritt, suchen Sie einen Arzt auf. Um das Risiko der „Weißfingerkrankheit“ zu verringern, halten Sie Ihre Hände während der Arbeit warm, und warten und pflegen Sie das Werkzeug und Zubehörteile gut. Hinsichtlich der Betriebszeit befolgen Sie örtliche Bestimmungen oder ärztlichen Rat.**

Transport

1. **Bevor Sie das Werkzeug transportieren, schalten Sie das Werkzeug aus, und nehmen Sie den Akku ab. Bringen Sie während des Transports immer die Schwertschutzhülle an.**

2. Wenn Sie das Werkzeug transportieren, tragen Sie es in waagerechter Stellung, indem Sie den Griff halten.

Wartung

1. Lassen Sie Ihre Ausrüstung von unserem autorisierten Service-Center warten, und verwenden Sie immer nur Original-Ersatzteile. Falsche Reparatur und schlechte Wartung können die Lebensdauer des Werkzeugs verkürzen und die Unfallgefahr erhöhen.
2. Bevor Sie Wartungs- oder Reparaturarbeiten durchführen oder das Werkzeug reinigen, sollten Sie immer das Werkzeug ausschalten und den Akku abnehmen. Warten Sie, bis das Werkzeug abgekühlt ist.
3. Tragen Sie stets Schutzhandschuhe bei der Handhabung der Sägekette.
4. Ziehen Sie nach jedem Gebrauch alle Schrauben und Muttern mit Ausnahme der Einstellschrauben fest.
5. Halten Sie die Sägekette scharf. Falls die Sägekette stumpf geworden ist und die Schneidleistung nachlässt, lassen Sie sie von einem autorisierten Makita-Service-Center schärfen oder durch eine neue ersetzen.
6. Versuchen Sie nicht, Wartungs- oder Reparaturarbeiten durchzuführen, die nicht in der Betriebsanleitung beschrieben sind. Überlassen Sie solche Arbeiten einem autorisierten Makita-Service-Center.
7. Verwenden Sie immer nur Original-Makita-Ersatz- und Zubehörteile. Die Verwendung von Ersatz- oder Zubehörteilen von Drittherstellern kann zu einem Ausfall des Werkzeugs, Sachschäden und/oder ernsthaften Verletzungen führen.

Lagerung

1. Bevor Sie das Werkzeug lagern, führen Sie eine vollständige Reinigung und Wartung durch. Bringen Sie die Schwertschutzhülle an. Nehmen Sie den Akku ab. Lassen Sie das Kettenöl ab, nachdem das Werkzeug abgekühlt ist.
2. Lagern Sie das Werkzeug an einem trockenen und hohen oder abschließbaren Ort außer Reichweite von Kindern.
3. Lehnen Sie das Werkzeug nicht gegen eine Wand oder dergleichen. Anderenfalls kann es plötzlich umkippen und Verletzungen verursachen.

Sicherheit der Elektrik und des Akkus

1. Werfen Sie den (die) Akku(s) nicht ins Feuer. Die Zelle könnte explodieren. Prüfen Sie die örtlichen Vorschriften für mögliche spezielle Entsorgungsanweisungen.
2. Versuchen Sie nicht, den (die) Akku(s) zu öffnen oder zu verstümmeln. Freigesetzter Elektrolyt ist korrosiv und kann Schäden an Augen oder Haut verursachen. Falls er verschluckt wird, kann er giftig sein.
3. Laden Sie den Akku nicht im Regen oder an nassen Orten.
4. Laden Sie den Akku nicht im Freien.
5. Fassen Sie das Ladegerät, einschließlich des Ladegerätesteckers und der

Ladegeräteanschlüsse, nicht mit nassen Händen an.

6. Vermeiden Sie gefährliche Umgebungen. Benutzen Sie das Werkzeug nicht an feuchten oder nassen Orten, und setzen Sie es auch keinem Regen aus. Wasser, das in das Werkzeug eindringt, erhöht die Stromschlaggefahr.

DIESE ANWEISUNGEN AUFBEWAHREN.

⚠️ WARNUNG: Lassen Sie sich NICHT durch Bequemlichkeit oder Vertrautheit mit dem Produkt (durch wiederholten Gebrauch erworben) von der strikten Einhaltung der Sicherheitsregeln für das vorliegende Produkt abhalten. MISSBRAUCH oder Missachtung der Sicherheitsvorschriften in dieser Anleitung können schwere Verletzungen verursachen.

Wichtige Sicherheitsanweisungen für Akku

1. Lesen Sie vor der Benutzung des Akkus alle Anweisungen und Warnhinweise, die an (1) Ladegerät, (2) Akku und (3) Akkuwerkzeug angebracht sind.
2. Unterlassen Sie Zerlegen oder Manipulieren des Akkus. Es kann sonst zu einem Brand, übermäßiger Hitzeentwicklung oder einer Explosion kommen.
3. Falls die Betriebszeit beträchtlich kürzer geworden ist, stellen Sie den Betrieb sofort ein. Anderenfalls besteht die Gefahr von Überhitzung, möglichen Verbrennungen und sogar einer Explosion.
4. Falls Elektrolyt in Ihre Augen gelangt, waschen Sie sie mit sauberem Wasser aus, und begeben Sie sich unverzüglich in ärztliche Behandlung. Anderenfalls können Sie Ihre Sehkraft verlieren.
5. Der Akku darf nicht kurzgeschlossen werden:
 - (1) Die Kontakte dürfen nicht mit leitfähigem Material berührt werden.
 - (2) Lagern Sie den Akku nicht in einem Behälter zusammen mit anderen Metallgegenständen, wie z. B. Nägel, Münzen usw.
 - (3) Setzen Sie den Akku weder Wasser noch Regen aus.Ein Kurzschluss des Akkus verursacht starken Stromfluss, der Überhitzung, mögliche Verbrennungen und einen Defekt zur Folge haben kann.
6. Lagern und benutzen Sie das Werkzeug und den Akku nicht an Orten, an denen die Temperatur 50 °C erreichen oder überschreiten kann.
7. Versuchen Sie niemals, den Akku zu verbrennen, selbst wenn er stark beschädigt oder vollkommen verbraucht ist. Der Akku kann im Feuer explodieren.
8. Unterlassen Sie Nageln, Schneiden, Zerquetschen, Werfen, Fallenlassen des Akkus

oder Schlagen des Akkus mit einem harten Gegenstand. Eine solche Handlung kann zu einem Brand, übermäßiger Hitzeentwicklung oder einer Explosion führen.

9. **Benutzen Sie keine beschädigten Akkus.**
10. **Die enthaltenen Lithium-Ionen-Akkus unterliegen den Anforderungen der Gefahrgut-Gesetzgebung.**
Für kommerzielle Transporte, z. B. durch Dritte oder Spediteure, müssen besondere Anforderungen zu Verpackung und Etikettierung beachtet werden.
Zur Vorbereitung des zu transportierenden Artikels ist eine Beratung durch einen Experten für Gefahrgut erforderlich. Bitte beachten Sie möglicherweise ausführlichere nationale Vorschriften. Überkleben oder verdecken Sie offene Kontakte, und verpacken Sie den Akku so, dass er sich in der Verpackung nicht umher bewegen kann.
11. **Entfernen Sie den Akku zum Entsorgen vom Werkzeug, und entsorgen Sie ihn an einem sicheren Ort. Befolgen Sie die örtlichen Vorschriften bezüglich der Entsorgung von Akkus.**
12. **Verwenden Sie die Akkus nur mit den von Makita angegebenen Produkten.** Das Einsetzen der Akkus in nicht konforme Produkte kann zu einem Brand, übermäßiger Hitzebildung, einer Explosion oder Auslaufen von Elektrolyt führen.
13. **Soll das Werkzeug längere Zeit nicht benutzt werden, muss der Akku vom Werkzeug entfernt werden.**
14. **Bei und nach dem Gebrauch kann der Akku heiß werden, was Verbrennungen oder Niedertemperaturverbrennungen verursachen kann. Beachten Sie die Handhabung von heißen Akkus.**
15. **Berühren Sie nicht den Anschlusskontakt des Werkzeugs unmittelbar nach dem Gebrauch, da er heiß genug werden kann, um Verbrennungen zu verursachen.**
16. **Achten Sie darauf, dass sich keine Späne, Staub oder Schmutz in den Anschlusskontakten, Löchern und Nuten des Akkus absetzen.** Es könnte sonst zu Erhitzung,

Brandauslösung, Bersten und Funktionsstörungen des Werkzeugs oder des Akkus kommen, was zu Verbrennungen oder Personenschäden führen kann.

17. **Wenn das Werkzeug den Einsatz in der Nähe einer Hochspannungs-Stromleitung nicht unterstützt, benutzen Sie den Akku nicht in der Nähe einer Hochspannungs-Stromleitung.** Dies kann zu einer Funktionsstörung oder Betriebsstörung des Werkzeugs oder des Akkus führen.
18. **Halten Sie die Batterie von Kindern fern.**

DIESE ANWEISUNGEN AUFBEWAHREN.

⚠ VORSICHT: Verwenden Sie nur Original-Makita-Akkus. Die Verwendung von Nicht-Original-Makita-Akkus oder von Akkus, die abgeändert worden sind, kann zum Bersten des Akkus und daraus resultierenden Bränden, Personenschäden und Beschädigung führen. Außerdem wird dadurch die Makita-Garantie für das Makita-Werkzeug und -Ladegerät ungültig.

Hinweise zur Aufrechterhaltung der maximalen Akku-Nutzungsdauer

1. **Laden Sie den Akku, bevor er vollkommen erschöpft ist. Schalten Sie das Werkzeug stets aus, und laden Sie den Akku, wenn Sie ein Nachlassen der Werkzeugleistung feststellen.**
2. **Unterlassen Sie erneutes Laden eines voll aufgeladenen Akkus. Überladen führt zu einer Verkürzung der Nutzungsdauer des Akkus.**
3. **Laden Sie den Akku bei Raumtemperatur zwischen 10 – 40 °C. Lassen Sie einen heißen Akku abkühlen, bevor Sie ihn laden.**
4. **Wenn Sie den Akku nicht benutzen, nehmen Sie ihn vom Werkzeug oder Ladegerät ab.**
5. **Der Akku muss geladen werden, wenn er lange Zeit (länger als sechs Monate) nicht benutzt wird.**

BEZEICHNUNG DER TEILE

► Abb.1

1	Hauptbetriebslampe	2	Betriebsart-Anzeige	3	Hauptbetriebsschalter
4	Aufhänger	5	Einschaltsperrhebel	6	Akku
7	Auslöseschalter	8	Hinterer Handgriff	9	Sägekette
10	Schwert	11	Öltankverschluss	12	Klemmring
13	Sicherungsmutter	14	Ketten-Einstellschraube	15	Schwertschutzhülle
16	Vorderer Handgriff	-	-	-	-

FUNKTIONSBE-SCHREIBUNG

⚠ VORSICHT: Vergewissern Sie sich vor der Durchführung von Einstellungen oder Funktionsprüfungen des Werkzeugs stets, dass das Werkzeug ausgeschaltet und der Akku abgenommen ist.

Anbringen und Abnehmen des Akkus

⚠ VORSICHT: Schalten Sie das Werkzeug stets aus, bevor Sie den Akku anbringen oder abnehmen.

⚠ VORSICHT: Halten Sie das Werkzeug und den Akku beim Anbringen oder Abnehmen des Akkus sicher fest. Wenn Sie das Werkzeug und den Akku nicht sicher festhalten, können sie Ihnen aus der Hand rutschen, was zu einer Beschädigung des Werkzeugs und des Akkus und zu Körperverletzungen führen kann.

Richten Sie zum Anbringen des Akkus dessen Führungsfeder auf die Nut im Gehäuse aus, und schieben Sie den Akku hinein. Schieben Sie ihn vollständig ein, bis er mit einem leisen Klicken einrastet. Wenn Sie die rote Anzeige sehen können, wie in der Abbildung gezeigt, ist der Akku nicht vollständig verriegelt.

Ziehen Sie den Akku zum Abnehmen vom Werkzeug ab, während Sie den Knopf an der Vorderseite des Akkus verschieben.

► **Abb.2:** 1. Rote Anzeige 2. Knopf 3. Akku

⚠ VORSICHT: Schieben Sie den Akku stets bis zum Anschlag ein, bis die rote Anzeige nicht mehr sichtbar ist. Anderenfalls kann er aus dem Werkzeug herausfallen und Sie oder umstehende Personen verletzen.

⚠ VORSICHT: Unterlassen Sie Gewaltanwendung beim Anbringen des Akkus. Falls der Akku nicht reibungslos hineingleitet, ist er nicht richtig ausgerichtet.

Anzeigen der Akku-Restkapazität

Nur für Akkus mit Anzeige

Drücken Sie die Prüftaste am Akku, um die Akku-Restkapazität anzuzeigen. Die Anzeigelampen leuchten wenige Sekunden lang auf.

► **Abb.3:** 1. Anzeigelampen 2. Prüftaste

Anzeigelampen			Restkapazität
Erleuchtet	Aus	Blinkend	
■	□	◐	
■ ■ ■ ■			75% bis 100%
■ ■ ■ □			50% bis 75%

Anzeigelampen			Restkapazität
Erleuchtet	Aus	Blinkend	
■ ■	□ □		25% bis 50%
■	□ □ □		0% bis 25%
◐	□ □ □		Den Akku aufladen.
■ ■	□ □ □		Möglicherweise liegt eine Funktionsstörung im Akku vor.
□ □	■ ■		

HINWEIS: Abhängig von den Benutzungsbedingungen und der Umgebungstemperatur kann die Anzeige geringfügig von der tatsächlichen Kapazität abweichen.

HINWEIS: Die erste (äußerste linke) Anzeigelampe blinkt, wenn das Akku-Schutzsystem aktiv ist.

Werkzeug/Akku-Schutzsystem

Das Werkzeug ist mit einem Werkzeug/Akku-Schutzsystem ausgestattet. Dieses System schaltet die Stromversorgung des Motors automatisch ab, um die Lebensdauer von Werkzeug und Akku zu verlängern. Das Werkzeug bleibt während des Betriebs automatisch stehen, wenn das Werkzeug oder der Akku einer der folgenden Bedingungen unterliegt:

Überlastschutz

Wird der Akku auf eine Weise benutzt, die eine ungewöhnlich hohe Stromaufnahme bewirkt, bleibt das Werkzeug automatisch stehen, und die Hauptbetriebslampe blinkt in Grün. Schalten Sie in dieser Situation das Werkzeug aus, und brechen Sie die Arbeit ab, die eine Überlastung des Werkzeugs verursacht hat. Schalten Sie dann das Werkzeug wieder ein, um die Arbeit fortzusetzen.

Überhitzungsschutz

Wenn das Werkzeug oder der Akku überhitzt wird, bleibt das Werkzeug automatisch stehen, und die Hauptbetriebslampe leuchtet in Rot auf. Lassen Sie das Werkzeug und den Akku in diesem Fall abkühlen, bevor Sie das Werkzeug wieder einschalten.

HINWEIS: Bei hohen Umgebungstemperaturen neigt der Überhitzungsschutz zum Aktivieren, so dass das Werkzeug automatisch stehen bleibt.

Überentladungsschutz

Wenn die Akkukapazität nicht ausreicht, bleibt das Werkzeug automatisch stehen, und die Hauptbetriebslampe blinkt in Rot. Nehmen Sie in diesem Fall den Akku vom Werkzeug ab, und laden Sie ihn auf.

Hauptbetriebsschalter

⚠️ WARNUNG: Schalten Sie den Hauptbetriebsschalter stets aus, wenn das Werkzeug nicht benutzt wird.

Um das Werkzeug einzuschalten, drücken Sie den Hauptbetriebsschalter, bis die Hauptbetriebslampe in Grün aufleuchtet. Zum Ausschalten des Werkzeugs drücken Sie den Hauptbetriebsschalter erneut.

► **Abb.4:** 1. Hauptbetriebslampe 2. Betriebsart-Anzeige 3. Hauptbetriebsschalter

HINWEIS: Die Hauptbetriebslampe blinkt in Grün, wenn Sie den Hauptbetriebsschalter einschalten, während Sie den Auslöseschalter bei gedrücktem Einschaltsperrhebel betätigen. Lassen Sie in diesem Fall den Auslöseschalter und den Einschaltsperrhebel los, und schalten Sie dann den Hauptbetriebsschalter ein.

HINWEIS: Dieses Werkzeug verwendet die Abschaltautomatik. Um unbeabsichtigtes Anlaufen zu vermeiden, wird der Hauptbetriebsschalter automatisch abgeschaltet, wenn der Auslöseschalter eine bestimmte Zeitlang nach dem Einschalten des Hauptbetriebsschalters nicht betätigt wird.

Sie können das Werkzeug im Drehmoment-Verstärkungsmodus benutzen, um dicke oder harte Äste zu schneiden. Um das Werkzeug im Drehmoment-Verstärkungsmodus zu benutzen, drücken Sie den Hauptbetriebsschalter bei ausgeschaltetem Werkzeug ein paar Sekunden lang, bis die Betriebsart-Anzeige in Grün aufleuchtet.

HINWEIS: Sie können das Werkzeug bis zu 60 Sekunden lang im Drehmoment-Verstärkungsmodus benutzen. Abhängig von den Benutzungsbedingungen wechselt dieser Modus nach weniger als 60 Sekunden wieder in den Normalmodus.

HINWEIS: Falls die Betriebsart-Anzeige in Grün blinkt, wenn Sie den Hauptbetriebsschalter ein paar Sekunden lang drücken, ist der Drehmoment-Verstärkungsmodus nicht verfügbar. Befolgen Sie in diesem Fall die nachstehenden Schritte.

- Der Drehmoment-Verstärkungsmodus ist unmittelbar nach dem Schneidbetrieb nicht verfügbar. Warten Sie länger als 10 Sekunden, bevor Sie den Hauptbetriebsschalter erneut wenige Sekunden lang drücken.
- Falls Sie den Drehmoment-Verstärkungsmodus mehrmals benutzen, wird der Gebrauch des Drehmoment-Verstärkungsmodus zum Schutz des Akkus eingeschränkt. Falls der Drehmoment-Verstärkungsmodus nach einer Wartezeit von mehr als 10 Sekunden nicht verfügbar ist, ersetzen Sie den Akku durch einen voll aufgeladenen, oder laden Sie den Akku auf.

HINWEIS: Falls die Hauptbetriebslampe in Rot aufleuchtet oder in Rot oder Grün blinkt, nehmen Sie auf die Anweisungen für das Werkzeug/Akku-Schutzsystem Bezug.

Schalterfunktion

⚠️ WARNUNG: Aus Sicherheitsgründen ist dieses Werkzeug mit einem Einschaltsperrhebel ausgestattet, der versehentliches Einschalten des Werkzeugs verhütet. Benutzen Sie das Werkzeug NIEMALS, wenn es durch einfache Betätigung des Auslöseschalters eingeschaltet werden kann, ohne den Einschaltsperrhebel zu drücken. Lassen Sie das Werkzeug von einem unserer autorisierten Service-Center ordnungsgemäß reparieren, BEVOR Sie es weiter benutzen.

⚠️ WARNUNG: Der Einschaltsperrhebel darf NIEMALS festgeklebt oder funktionsunfähig gemacht werden.

⚠️ VORSICHT: Vergewissern Sie sich vor dem Einsetzen des Akkus in das Werkzeug stets, dass der Ein-Aus-Schalter ordnungsgemäß funktioniert und beim Loslassen in die AUS-Stellung zurückkehrt.

ANMERKUNG: Betätigen Sie den Ein-Aus-Schalter nicht gewaltsam, ohne den Einschaltsperrhebel zu drücken. Dies kann zu Beschädigung des Schalters führen.

Um versehentliche Betätigung des Auslöseschalters zu verhüten, ist das Werkzeug mit einem Einschaltsperrhebel ausgestattet. Zum Starten des Werkzeugs drücken Sie erst den Einschaltsperrhebel und betätigen dann den Auslöseschalter. Die Drehzahl erhöht sich durch verstärkte Druckausübung auf den Auslöseschalter. Zum Anhalten lassen Sie den Auslöseschalter los.

► **Abb.5:** 1. Auslöseschalter 2. Einschaltsperrhebel

Einstellen der Rohrlänge

Um das Rohr zu verlängern oder zu verkürzen, lösen Sie den Klemmring durch Drehen entgegen dem Uhrzeigersinn, stellen Sie dann die Länge des Rohrs ein, und ziehen Sie dann den Ring durch Drehen im Uhrzeigersinn fest.

► **Abb.6:** 1. Klemmring 2. Rohr

Elektronikfunktionen

Das Werkzeug ist für komfortablen Betrieb mit Elektronikfunktionen ausgestattet.

- Konstantdrehzahlregelung
Die Drehzahlregelfunktion liefert eine konstante Drehzahl ungeachtet der Lastbedingungen.

MONTAGE

⚠ VORSICHT: Vergewissern Sie sich vor der Ausführung von Arbeiten am Werkzeug stets, dass das Werkzeug ausgeschaltet und der Akku abgenommen ist.

⚠ VORSICHT: Berühren Sie die Sägekette nicht mit bloßen Händen. Tragen Sie stets Handschuhe bei der Handhabung der Sägekette.

Zusammenbauen des Werkzeugs

- Entfernen Sie 2 Kappen vom Rohr, und 1 Kappe vom Werkzeugkopf.
▶ **Abb.7:** 1. Kappe 2. Rohr 3. Werkzeugkopf
- Lösen Sie 3 Schrauben, und entfernen Sie dann 1 Schraube mit dem Inbusschlüssel.
▶ **Abb.8:** 1. Schraube
- Führen Sie das Rohr bis zum Anschlag in den Werkzeug-Hauptteil ein, und richten Sie dann das Loch im Rohr auf das Loch im Werkzeug-Hauptteil aus.
▶ **Abb.9:** 1. Loch 2. Rohr
- Ziehen Sie 3 Schrauben mit dem Inbusschlüssel an.
▶ **Abb.10:** 1. Schraube
- Lösen Sie 2 Schrauben, und entfernen Sie dann 1 Schraube.
▶ **Abb.11:** 1. Schraube
- Lösen Sie den Klemmring durch Drehen entgegen dem Uhrzeigersinn, ziehen Sie dann das Rohr um ca. 10 cm oder mehr aus, und ziehen Sie dann den Klemmring durch Drehen im Uhrzeigersinn fest.
▶ **Abb.12:** 1. Klemmring 2. 10 cm oder mehr 3. Rohr
- Führen Sie das Rohr bis zum Anschlag in den Werkzeugkopf ein, und richten Sie dann das Loch im Rohr auf das Loch im Werkzeugkopf aus.
▶ **Abb.13:** 1. Loch 2. Rohr
- Ziehen Sie 2 Schrauben mit dem Inbusschlüssel an.
▶ **Abb.14:** 1. Schraube

Demontieren oder Montieren der Sägekette

⚠ VORSICHT: Sägekette und Schwert sind unmittelbar nach dem Betrieb noch heiß. Lassen Sie die Teile ausreichend abkühlen, bevor Sie irgendwelche Arbeiten am Werkzeug ausführen.

⚠ VORSICHT: Führen Sie die Montage oder Demontage der Sägekette an einem sauberen Ort aus, der frei von Sägemehl und dergleichen ist.

Zum Abnehmen der Sägekette müssen die folgenden Schritte ausgeführt werden:

- Lösen Sie die Ketten-Einstellschraube, dann die Sicherungsmutter.
▶ **Abb.15:** 1. Ketten-Einstellschraube
2. Sicherungsmutter

- Entfernen Sie den Kettenraddeckel, und nehmen Sie dann die Sägekette und das Schwert vom Werkzeug-Hauptteil ab.

Zum Anbringen der Sägekette müssen die folgenden Schritte ausgeführt werden:

- Überprüfen Sie die Laufrichtung der Sägekette. Passen Sie die Laufrichtung der Sägekette an die Richtung der Markierung am Werkzeug-Hauptteil an.
- Legen Sie ein Ende der Sägekette auf die Oberseite des Schwerts. Legen Sie das andere Ende der Sägekette um das Kettenrad. Vergewissern Sie sich, dass die Sägekette ordnungsgemäß auf dem Kettenrad und einwandfrei in der Nut des Schwerts sitzt.
- Befestigen Sie das Schwert am Werkzeug-Hauptteil, indem Sie das Loch im Schwert auf den Stift am Werkzeug-Hauptteil ausrichten.
▶ **Abb.16:** 1. Kettenrad 2. Loch
- Führen Sie den Vorsprung am Kettenraddeckel in den Werkzeug-Hauptteil ein, und schließen Sie dann den Deckel, so dass die Schraube und der Stift am Werkzeug-Hauptteil auf ihre Gegenstücke am Deckel ausgerichtet sind.
▶ **Abb.17:** 1. Vorsprung 2. Kettenraddeckel
3. Schraube 4. Stift
- Ziehen Sie die Sicherungsmutter an, um den Kettenraddeckel zu sichern, und lösen Sie sie dann ein wenig für die Spannungseinstellung.
▶ **Abb.18:** 1. Sicherungsmutter

Einstellen der Sägekettenspannung

⚠ VORSICHT: Straffen Sie die Sägekette nicht zu sehr. Eine übermäßig hohe Spannung der Sägekette kann zu einem Bruch der Sägekette und Verschleiß des Schwerts führen.

⚠ VORSICHT: Eine zu lockere Kette kann vom Schwert springen und stellt somit eine Verletzungsgefahr dar.

Die Sägekette kann sich nach vielen Betriebsstunden lockern. Überprüfen Sie daher die Sägekettenspannung von Zeit zu Zeit vor dem Gebrauch.

- Lösen Sie die Sicherungsmutter ein wenig, um den Kettenraddeckel geringfügig zu lösen.
▶ **Abb.19:** 1. Sicherungsmutter
- Heben Sie die Schwertspitze leicht an, und stellen Sie die Kettenspannung ein. Drehen Sie die Ketten-Einstellschraube zum Anziehen entgegen dem Uhrzeigersinn, und zum Lösen im Uhrzeigersinn.
Straffen Sie die Sägekette, bis ihr unterer Abschnitt wie abgebildet in der Schwertschiene ruht.
▶ **Abb.20:** 1. Schwert 2. Sägekette
3. Ketten-Einstellschraube
- Halten Sie das Schwert leicht fest, und bringen Sie den Kettenraddeckel an.
Sicherstellen, dass sich der untere Abschnitt der Sägekette nicht lockert.
- Ziehen Sie die Sicherungsmutter an, um den Kettenraddeckel zu sichern.
▶ **Abb.21:** 1. Sicherungsmutter

Montieren und Demontieren des Winkelaufsatzes

Sonderzubehör

⚠ VORSICHT: Bevor Sie den Winkelaufsatz anbringen oder entfernen, müssen Sie die Schwertschutzhülle am Werkzeug anbringen.

Sie können den Winkel des Werkzeugkopfes ändern, indem Sie den Winkelaufsatz am Werkzeug befestigen.

1. Lösen Sie den Klemmring durch Drehen entgegen dem Uhrzeigersinn, ziehen Sie dann das Rohr um ca. 10 cm oder mehr aus, und ziehen Sie dann den Klemmring durch Drehen im Uhrzeigersinn fest.

► **Abb.22:** 1. 10 cm oder mehr 2. Klemmring 3. Rohr

2. Lösen Sie 2 Schrauben mit dem Inbusschlüssel, und entfernen Sie dann das Rohr vom Werkzeugkopf.

► **Abb.23:** 1. Schraube

3. Entfernen Sie die Kappen vom Winkelaufsatz.

► **Abb.24:** 1. Kappe

4. Richten Sie das Loch des Rohrs auf das Loch des Aufsatzes aus, und führen Sie dann das Rohr in den Aufsatz ein.

► **Abb.25:** 1. Loch 2. Schraube 3. Rohr

5. Ziehen Sie die 2 Schrauben an, um den Aufsatz zu befestigen.

► **Abb.26:** 1. Schraube

6. Befestigen Sie den Werkzeugkopf am Aufsatz.

Um den Werkzeugkopf vertikal zu fixieren, befestigen Sie den Aufsatz, indem Sie die Schraube in dem in der Abbildung gezeigten Loch des Aufsatzes anziehen, und ziehen Sie dann die andere Schraube an.

► **Abb.27:** 1. Schraube 2. Loch

Um den Werkzeugkopf horizontal zu fixieren, befestigen Sie den Aufsatz, indem Sie die Schraube in dem in der Abbildung gezeigten Loch des Aufsatzes anziehen, und ziehen Sie dann die andere Schraube an.

► **Abb.28:** 1. Schraube 2. Loch

Um den Winkelaufsatz zu entfernen, führen Sie das Installationsverfahren in umgekehrter Reihenfolge durch.

BETRIEB

Schmierung

ANMERKUNG: Wenn Sie das Kettenöl zum ersten Mal einfüllen oder den völlig leeren Öltank auffüllen, füllen Sie Öl bis zur Unterkante des Einfüllstutzens ein. Anderenfalls kann die Ölzuführung beeinträchtigt werden.

ANMERKUNG: Verwenden Sie exklusives Sägekettenöl für Makita-Kettensägen oder auf dem Markt erhältliches gleichwertiges Öl.

ANMERKUNG: Verwenden Sie keinesfalls Öl, das Staub und Fremdkörper enthält, oder leichtflüchtiges Öl.

ANMERKUNG: Verwenden Sie zum Beschneiden von Bäumen botanisches Öl. Mineralöl kann Bäume schädigen.

ANMERKUNG: Vergewissern Sie sich vor der Schneidarbeit, dass der mitgelieferte Öltankverschluss angebracht ist.

Die Sägekette wird während des Betriebs des Werkzeugs automatisch geschmiert. Überprüfen Sie die im Öltank verbleibende Ölmenge regelmäßig.

► **Abb.29:** 1. Öltank

Um den Tank aufzufüllen, legen Sie das Werkzeug auf eine ebene Oberfläche, drücken Sie dann den Knopf am Öltankverschluss, so dass der Knopf auf der anderen Seite vorsteht, und entfernen Sie dann den Öltankverschluss durch Drehen.

Die korrekte Ölmenge beträgt 160 ml. Vergewissern Sie sich nach dem Auffüllen des Tanks, dass der Öltankverschluss sicher festgezogen ist.

► **Abb.30:** 1. Öltankverschluss 2. Anziehen 3. Lösen

HINWEIS: Falls das Entfernen des Öltankverschlusses schwierig ist, führen Sie die Schraubendreher Spitze des Rohrschlüssels in den Schlitz des Öltankverschlusses ein, und entfernen Sie dann den Öltankverschluss durch Drehen entgegen dem Uhrzeigersinn.

► **Abb.31:** 1. Schlitz 2. Rohrschlüssel

Halten Sie das Werkzeug nach dem Auffüllen vom Baum abgewandt. Starten Sie das Werkzeug, und warten Sie, bis eine angemessene Schmierung der Sägekette erreicht ist.

► **Abb.32**

Anbringen des Schultergurts

⚠ VORSICHT: Wenn Sie das Werkzeug in Kombination mit einer rucksackartigen Stromquelle, wie z. B. einer rückentragbaren Akku-Bank, verwenden, benutzen Sie nicht den im Werkzeugpaket enthaltenen Schultergurt, sondern das von Makita empfohlene Aufhängeband.

Falls Sie den im Werkzeugpaket enthaltenen Schultergurt und den Schultergurt der rucksackartigen Stromquelle gleichzeitig anlegen, ist das Ablegen der rucksackartigen Stromquelle im Notfall schwierig, so dass es zu einem Unfall oder Verletzungen kommen kann. Wenden Sie sich bezüglich des empfohlenen Aufhängebands an ein autorisiertes Makita-Service-Center.

⚠ VORSICHT: Benutzen Sie immer den am Werkzeug angebrachten Schultergurt. Stellen Sie den Schultergurt vor der Arbeit auf die Benutzergröße ein, um Ermüdung zu verhüten.

⚠ VORSICHT: Vergewissern Sie sich vor dem Betrieb, dass der Schultergurt einwandfrei am Aufhänger des Werkzeugs angebracht ist.

⚠ VORSICHT: Vergewissern Sie sich vor der Inbetriebnahme, dass die Schnalle des Schultergurts fest verschlossen ist.

⚠ VORSICHT: Benutzen Sie immer den für dieses Werkzeug vorgesehenen Schultergurt. Benutzen Sie keine anderen Schultergurte.

1. Legen Sie den Schultergurt an, und schließen Sie die Schnalle.

► **Abb.33:** 1. Schnalle

HINWEIS: Lösen Sie zum Abnehmen des Schultergurts die Schnalle, und nehmen Sie den Schultergurt ab.

2. Stellen Sie den Schultergurt auf eine bequeme Arbeitsposition ein.

► **Abb.34**

3. Hängen Sie den Haken am Schultergurt in den Aufhänger des Werkzeugs ein.

► **Abb.35:** 1. Haken 2. Aufhänger

Der Schultergurt besitzt eine Schnellentriegelung. Drücken Sie einfach die Seiten der Schnalle zusammen, um den Schultergurt freizugeben.

► **Abb.36:** 1. Schnalle

Arbeiten mit dem Werkzeug

⚠ VORSICHT: Führen Sie die Kettensäge so, dass sich kein Körperteil im verlängerten Schwenkbereich der Sägekette befindet.

⚠ VORSICHT: Halten Sie das Werkzeug bei laufendem Motor mit beiden Händen fest.

⚠ VORSICHT: Beugen Sie sich beim Betrieb nicht zu weit vor. Achten Sie bei der Arbeit stets auf sicheren Stand.

⚠ VORSICHT: Wenn Sie Äste durchschneiden, achten Sie darauf, dass Sie aufgrund des Gewichts des Werkzeugkopfes nicht Ihr Gleichgewicht verlieren.

⚠ VORSICHT: Halten Sie immer einen Fluchtweg frei für den Fall, dass ein abgeschnittener Ast in Richtung des Bedieners fällt.

⚠ VORSICHT: Benutzen Sie niemals die Schwertschneide zum Schneiden. Anderenfalls kann ein gefährlicher Rückschlag auftreten, der zu Personenschäden führen kann.

ANMERKUNG: Hinwerfen oder Fallenlassen des Werkzeugs sind unbedingt zu vermeiden.

ANMERKUNG: Verdecken Sie nicht die Lüftungsöffnungen des Werkzeugs.

ANMERKUNG: Üben Sie keinen übermäßigen Druck auf das Werkzeug aus. Anderenfalls kann das Werkzeug beschädigt werden.

Stellen Sie sich auf eine stabile Oberfläche, und halten Sie das Werkzeug von den Ästen fern, so dass der Winkel des Werkzeugs zum horizontalen Boden 60° oder weniger beträgt.

► **Abb.37:** 1. 60° oder weniger

Starten Sie das Werkzeug, und drücken Sie dann die Sägekette leicht gegen den Ast.

Wenn Sie lange Äste schneiden, unterteilen Sie den Ast in Abschnitte, und schneiden Sie den Ast von der Spitze, um die Fallposition von abgeschnittenen Ästen zu kontrollieren. Achten Sie auf die herunterfallenden Äste, da sie nach dem Auftreffen auf den Boden in die Richtung des Bedieners springen können.

► **Abb.38**

Um dicke Äste zu schneiden, machen Sie zuerst einen flachen Unterschnitt und dann den Endschnitt von oben.

► **Abb.39**

Falls Sie versuchen, dicke Äste von unten abzuschneiden, kann sich der Ast senken und die Sägekette im Schnitt einklemmen. Falls Sie versuchen, dicke Äste ohne flachen Unterschnitt von oben abzuschneiden, kann der Ast splintern.

► **Abb.40**

Tragen des Werkzeugs

Nehmen Sie vor dem Tragen des Werkzeugs immer die Akkus vom Werkzeug ab, bringen Sie dann die Schwertschutzhülle an, und verkürzen Sie dann das Rohr. Decken Sie außerdem den Akku mit der Akkuabdeckung ab.

Verwendung des Werkzeugs mit einer rückentragbaren Akku-Bank

Sonderzubehör

Benutzen Sie das Aufhängeband, wenn Sie das Werkzeug mit einer rückentragbaren Akku-Bank verwenden.

Anbringen des Aufhängebands

1. Befestigen Sie die Haken des Aufhängebands an den Ringen des Schultergurts oder Hüftgurts, wie in der Abbildung gezeigt. Wählen Sie die für Ihren Gebrauch geeignete Art des Bands und die Verbindungsmethode aus.

► **Abb.42:** 1. Ring 2. Haken

► **Abb.43:** 1. Ring 2. Haken

2. Hängen Sie den Haken am Werkzeug ein.

► **Abb.44:** 1. Haken

Abnehmen des Werkzeugs

Um das Werkzeug abzulegen, entriegeln Sie die Schnalle am Aufhängeband mit einer Hand, während Sie das Werkzeug mit der anderen Hand halten.

► **Abb.45:** 1. Schnalle

HINWEIS: Bei manchen Bandtypen ist keine Schnalle vorhanden.

Falls Sie das Werkzeug schnell lösen müssen, führen Sie die folgenden Schritte aus.

1. Drücken Sie die Hebel an der Schnalle des Hüftgurts, um die Schnalle zu entriegeln.

► **Abb.46:** 1. Schnalle 2. Hebel

2. Nehmen Sie den Schultergurt ab, um das Werkzeug und das Gerät loszulösen.

► **Abb.47:** 1. Schultergurt

WARTUNG

⚠ VORSICHT: Vergewissern Sie sich vor der Durchführung von Inspektions- oder Wartungsarbeiten stets, dass das Werkzeug ausgeschaltet und der Akku abgenommen ist.

⚠ VORSICHT: Tragen Sie beim Ausführen von Überprüfungs- und Instandhaltungsarbeiten unbedingt Arbeitshandschuhe.

ANMERKUNG: Verwenden Sie auf keinen Fall Benzin, Waschbenzin, Verdünner, Alkohol oder dergleichen. Solche Mittel können Verfärbung, Verformung oder Rissbildung verursachen.

Um die SICHERHEIT und ZUVERLÄSSIGKEIT dieses Produkts zu gewährleisten, sollten Reparaturen und andere Wartungs- oder Einstellarbeiten nur von Makita-Vertragswerkstätten oder Makita-Kundendienstzentren unter ausschließlicher Verwendung von Makita-Originalersatzteilen ausgeführt werden.

Schärfen der Sägekette

Schärfen Sie die Sägekette, wenn:

- beim Schneiden von feuchtem Holz mehliges Sägemehl erzeugt wird;
- die Kette selbst bei Ausübung starken Drucks nur schwach in das Holz eindringt;
- die Schneidzahnkante sichtbar beschädigt ist;
- die Säge im Holz nach links oder rechts zieht. (Der Grund für dieses Verhalten ist ungleichmäßige Schärfung der Sägekette, oder einseitige Beschädigung.)

Schärfen Sie die Sägekette häufig, aber tragen Sie jedes Mal nur wenig Material ab. Zwei bis drei Hiebe mit einer Feile sind gewöhnlich für eine routinemäßige Nachschärfung ausreichend. Wenn die Sägekette mehrmals nachgeschärft worden ist, lassen Sie sie in unserem autorisierten Service-Center schärfen.

Schärfungskriterien:

⚠ WARNUNG: Ein übermäßig großer Abstand zwischen der Schneidzahnkante und dem Tiefenbegrenzer erhöht die Rückschlaggefahr.

► **Abb.48:** 1. Schneidzahnlänge 2. Abstand zwischen Schneidzahnkante und Tiefenbegrenzer 3. Minimale Schneidzahnlänge (3 mm)

- Alle Schneidzahnängen müssen gleich sein. Unterschiedliche Schneidzahnängen verhindern reibungslosen Lauf der Sägekette und können einen Bruch der Sägekette verursachen.
- Schärfen Sie die Kette nicht weiter, wenn eine Schneidzahnlänge von 3 mm oder weniger erreicht ist. Die Kette muss durch eine neue ersetzt werden.
- Die Spandicke wird durch den Abstand zwischen dem Tiefenbegrenzer (runde Nase) und der Schneidzahnkante bestimmt.
- Die besten Schneidergebnisse werden mit folgendem Abstand zwischen Schneidzahnkante und Tiefenbegrenzer erzielt.
 - Kettenblatt 90PX / 91PX / M41 / M43: 0,65 mm

► **Abb.49**

- Der Schärfungswinkel von 30° muss bei allen Schneidgliedern gleich sein. Unterschiedliche Schneidgliedwinkel verursachen rauen und ungleichmäßigen Kettenlauf, beschleunigen den Verschleiß und führen zu Kettenbruch.
- Verwenden Sie eine geeignete Rundfeile, so dass der korrekte Schärfungswinkel zu den Zähnen eingehalten wird.
 - Kettenblatt 90PX / 91PX / M41 / M43: 55°

Feile und Feilenführung

- Verwenden Sie eine spezielle Rundfeile (Sonderzubehör) für Sägeketten zum Schärfen der Kette. Normale Rundfeilen sind ungeeignet.
- Der Durchmesser der Rundfeile für die jeweilige Sägekette ist wie folgt:
 - Kettenblatt 90PX: 4,5 mm
 - Kettenblatt 91PX / M41 / M43: 4,0 mm
- Nur beim Vorwärtshub der Feile sollte Material abgetragen werden. Heben Sie die Feile beim

Rückwärtshub vom Schneidglied ab.

- Schärfen Sie das kürzeste Schneidglied zuerst. Die Länge dieses kürzesten Schneidglieds dient dann als Sollmaß für alle übrigen Schneidglieder der Sägekette.
- Führen Sie die Feile, wie in der Abbildung gezeigt.
▶ **Abb.50:** 1. Feile 2. Sägekette
- Die Feile kann leichter geführt werden, wenn ein Feilenhalter (Sonderzubehör) verwendet wird. Der Feilenhalter weist Markierungen für den korrekten Schärfungswinkel von 30° auf (die Markierungen parallel zur Sägekette ausrichten) und begrenzt die Eindringtiefe (auf 4/5 des Feilendurchmessers).
▶ **Abb.51:** 1. Feilenhalter
- Überprüfen Sie nach dem Schärfen der Kette die Höhe des Tiefenbegrenzers mithilfe der Kettenmesslehre (Sonderzubehör).
▶ **Abb.52**
- Entfernen Sie etwaige Rauigkeiten, wie klein auch immer, mit einer speziellen Flachfeile (Sonderzubehör).
- Runden Sie die Vorderkante des Tiefenbegrenzers erneut ab.

Reinigen des Schwerts

Späne und Sägemehl sammeln sich in der Führungsnut des Schwerts an. Der Führungsnut des Schwerts wird dadurch zugesetzt und der Ölfluss wird behindert. Entfernen Sie Späne und Sägemehl jedes Mal, wenn Sie die Sägekette schärfen oder auswechseln.

▶ **Abb.53**

Reinigen des Kettenraddeckels

Späne und Sägemehl sammeln sich im Kettenraddeckel an. Entfernen Sie den Kettenraddeckel und die Sägekette vom Werkzeug, und beseitigen Sie dann Späne und Sägemehl.

▶ **Abb.54**

Reinigen der Ölauslassöffnung

Kleine Staubpartikel oder Fremdkörper können sich während des Betriebs in der Ölauslassöffnung

Anweisungen für regelmäßige Wartung

Um eine lange Lebensdauer zu gewährleisten, Schäden zu verhüten und die volle Funktion der Sicherheitseinrichtungen sicherzustellen, müssen die folgenden Wartungsarbeiten regelmäßig durchgeführt werden. Garantieansprüche werden nur dann anerkannt, wenn diese Arbeiten regelmäßig und ordnungsgemäß ausgeführt werden. Eine Vernachlässigung der vorgeschriebenen Wartungsarbeiten kann zu Unfällen führen! Der Benutzer des Werkzeugs darf keine Wartungsarbeiten durchführen, die nicht in dieser Bedienungsanleitung beschrieben sind. Darüber hinausgehende Arbeiten müssen von unserem autorisierten Service-Center ausgeführt werden.

ansammeln. Diese können den Ölfluss behindern und unzureichende Schmierung auf der ganzen Sägekette verursachen. Wenn schlechte Ölzufuhr an der Oberseite des Schwerts auftritt, reinigen Sie die Ölauslassöffnung wie folgt.

1. Entfernen Sie den Kettenraddeckel und die Sägekette vom Werkzeug.
2. Entfernen Sie kleine Staubkörner oder Partikel mit einem Schlitzschraubendreher oder dergleichen.
▶ **Abb.55:** 1. Schlitzschraubendreher
2. Ölauslassöffnung
3. Setzen Sie den Akku in das Werkzeug ein. Betätigen Sie den Auslöseschalter, um abgelagerte Staubpartikel oder Fremdkörper durch Ablassen des Kettenöls aus der Ölauslassöffnung auszuschwemmen.
4. Nehmen Sie den Akku vom Werkzeug ab. Montieren Sie den Kettenraddeckel und die Sägekette wieder am Werkzeug.

Auswechseln des Kettenrads

⚠ VORSICHT: Ein verschlissenes Kettenrad beschädigt eine neue Sägekette. Wechseln Sie in diesem Fall das Kettenrad aus.

Bevor Sie eine neue Sägekette anbringen, überprüfen Sie den Zustand des Kettenrads. Falls das Kettenrad verschlissen oder beschädigt ist, wenden Sie sich bezüglich eines Austauschs an ein autorisiertes Makita-Service-Center.

▶ **Abb.56:** 1. Kettenrad 2. Abnutzungsbereiche

Lagern des Werkzeugs

1. Reinigen Sie das Werkzeug vor der Lagerung. Entfernen Sie etwaige Späne und Sägemehl vom Werkzeug, nachdem Sie den Kettenraddeckel abmontiert haben.
2. Lassen Sie das Werkzeug nach der Reinigung unter Nulllast laufen, um die Sägekette und das Schwert zu schmieren.
3. Decken Sie das Schwert mit der Schwertschutzhülle ab, und verkürzen Sie dann das Rohr.
4. Entleeren Sie den Öltank.

Prüfpunkt/Betriebszeit		Vor dem Betrieb	Täglich	Wöchentlich	Alle 3 Monate	Jährlich	Vor der Lagerung
Gesamtes Werkzeug	Überprüfung.	✓	-	-	-	-	-
	Reinigung.	-	✓	-	-	-	-
	Von autorisiertem Service-Center prüfen lassen.	-	-	-	-	✓	✓
Sägekette	Überprüfung.	✓	-	-	-	-	-
	Nötigenfalls schärfen.	-	-	-	-	-	✓
Schwert	Überprüfung.	✓	✓	-	-	-	-
	Vom Werkzeug abnehmen.	-	-	-	-	-	✓
Kettenschmierung	Ölfördermenge überprüfen.	✓	-	-	-	-	-
Auslöseschalter	Überprüfung.	✓	-	-	-	-	-
Einschaltperrehebel	Überprüfung.	✓	-	-	-	-	-
Öltankverschluss	Festigkeit überprüfen.	✓	-	-	-	-	-
Schrauben und Muttern	Überprüfung.	-	-	✓	-	-	-

FEHLERSUCHE

Bevor Sie den Reparaturdienst anrufen, führen Sie zunächst Ihre eigene Inspektion durch. Falls Sie ein Problem finden, das nicht in der Anleitung erläutert wird, versuchen Sie nicht, das Werkzeug zu zerlegen. Wenden Sie sich stattdessen an autorisierte Makita-Kundendienstzentren, und achten Sie darauf, dass stets Makita-Ersatzteile für Reparaturen verwendet werden.

Störungszustand	Ursache	Abhilfemaßnahme
Das Werkzeug startet nicht.	Der Akku ist nicht eingesetzt.	Setzen Sie einen geladenen Akku ein.
	Akkustörung (niedrige Spannung).	Laden Sie die Akkus auf. Falls Laden unwirksam ist, tauschen Sie den Akku aus.
	Hauptbetriebsschalter ist ausgeschaltet.	Das Werkzeug schaltet sich automatisch aus, wenn es eine bestimmte Zeitlang unbenutzt bleibt. Schalten Sie den Hauptbetriebsschalter wieder ein.
Der Motor bleibt nach kurzer Zeit stehen.	Der Ladestand des Akkus ist niedrig.	Laden Sie die Akkus auf. Falls Laden unwirksam ist, tauschen Sie den Akku aus.
Kein Öl auf der Kette.	Der Öltank ist leer.	Öltank füllen.
	Die Ölführungsnut ist verschmutzt.	Nut reinigen.
	Schlechte Ölförderung.	Stellen Sie die Ölfördermenge mit der Einstellschraube ein.
Das Werkzeug erreicht nicht die Maximaldrehzahl.	Der Akku ist falsch eingesetzt.	Setzen Sie die Akkus gemäß der Beschreibung in dieser Anleitung ein.
	Die Akkuleistung lässt nach.	Laden Sie den Akku auf. Falls Laden unwirksam ist, tauschen Sie den Akku aus.
	Das Antriebssystem funktioniert nicht korrekt.	Wenden Sie sich bezüglich einer Reparatur an ein autorisiertes Service-Center in Ihrer Region.
Die Hauptbetriebslampe blinkt in Grün.	Der Auslöseschalter wird unter einer betriebsunfähigen Bedingung betätigt.	Betätigen Sie den Auslöseschalter erst, nachdem Sie den Hauptbetriebsschalter eingeschaltet haben.

Störungszustand	Ursache	Abhilfemaßnahme
Ungewöhnliche Vibration: Halten Sie das Werkzeug unverzüglich an!	Schwert oder Sägekette ist locker.	Schwert und Sägekettenspannung einstellen.
	Fehlfunktion des Werkzeugs.	Wenden Sie sich bezüglich einer Reparatur an ein autorisiertes Service-Center in Ihrer Region.
Der Drehmoment-Verstärkungsmodus ist nicht verfügbar, nachdem der Akku durch einen voll aufgeladenen ersetzt worden ist.	Abhängig von den Benutzungsbedingungen ist der Drehmoment-Verstärkungsmodus nach dem Austauschen des Akkus nicht verfügbar.	Benutzen Sie das Werkzeug im Normalmodus, bis der eingesetzte Akku leer wird, und ersetzen Sie dann den Akku durch einen voll aufgeladenen, oder laden Sie den Akku auf.
Die Sägekette kann nicht montiert werden.	Die Kombination von Sägekette und Kettenrad ist nicht korrekt.	Verwenden Sie die korrekte Kombination von Sägekette und Kettenrad, indem Sie auf den Abschnitt für Spezifikationen Bezug nehmen.

SONDERZUBEHÖR

⚠ VORSICHT: Die folgenden Zubehörteile oder Vorrichtungen werden für den Einsatz mit dem in dieser Anleitung beschriebenen Makita-Werkzeug empfohlen. Die Verwendung anderer Zubehörteile oder Vorrichtungen kann eine Verletzungsgefahr darstellen. Verwenden Sie Zubehörteile oder Vorrichtungen nur für ihren vorgesehenen Zweck.

Wenn Sie weitere Einzelheiten bezüglich dieser Zubehörteile benötigen, wenden Sie sich bitte an Ihre Makita-Kundendienststelle.

- Sägekette
- Schwert
- Schwertschutzhülle
- Winkelaufsatz
- Feile
- Original-Makita-Akku und -Ladegerät

⚠ WARNUNG: Wenn Sie ein Schwert kaufen, dessen Länge von der des Standardschwerts abweicht, kaufen Sie gleichzeitig auch eine passende Schwertschutzhülle. Die Schwertschutzhülle muss passen und das Schwert am Werkzeug vollständig abdecken.

HINWEIS: Manche Teile in der Liste können als Standardzubehör im Werkzeugsatz enthalten sein. Sie können von Land zu Land unterschiedlich sein.

DATI TECNICI

Modello:		DUA301
Lunghezza complessiva (senza barra guida e accessorio)		2.530 - 3.760 mm
Tensione nominale		36 V C.C.
Peso netto	*1	7,8 kg
	*2	Da 7,8 a 9,0 kg
Lunghezza barra guida standard		30 cm
Lunghezza consigliata barra guida	con il modello 90PX / 91PX / M41 / M43	25 - 30 cm
Tipo di catena della sega applicabile (fare riferimento alla tabella seguente)		90PX / 91PX / M41 / M43
Velocità catena		Da 0 a 20 m/s (Da 0 a 1.200 m/min)
Volume serbatoio olio catena		160 cm ³

- A causa del nostro programma continuativo di ricerca e sviluppo, i dati tecnici sono soggetti a modifiche senza preavviso.
- Le caratteristiche tecniche possono variare da una nazione all'altra.

*1: peso, inclusa la cartuccia della batteria con capacità più ampia e con il serbatoio dell'olio vuoto, senza barra guida, catena, imbracatura e accessorio, in base allo standard EN ISO11680-1.

*2: La combinazione più leggera e più pesante di peso, in base alla EPTA-Procedure 01/2014. Il peso può variare a seconda dell'accessorio o degli accessori, inclusa la cartuccia della batteria.

Cartuccia della batteria e caricabatterie applicabili

Cartuccia della batteria	BL1820B / BL1830B / BL1840B / BL1850B / BL1860B
Caricabatterie	DC18RC / DC18RD / DC18RE / DC18SD / DC18SE / DC18SF / DC18SH / DC18WC

- Alcune cartucce delle batterie e alcuni caricabatterie elencati sopra potrebbero non essere disponibili a seconda della propria area geografica di residenza.

⚠ AVVERTIMENTO: Utilizzare solo le cartucce delle batterie e i caricabatterie elencati sopra. L'utilizzo di altre cartucce delle batterie e di altri caricabatterie potrebbe causare lesioni personali e/o un incendio.

Fonte di alimentazione collegata via cavo consigliata

Gruppo di alimentazione portatile	PDC01 / PDC1200 / PDC1500
-----------------------------------	---------------------------

- La fonte o le fonti di alimentazione collegate via cavo elencate sopra potrebbero non essere disponibili, a seconda della propria area geografica di residenza.
- Prima di utilizzare la fonte di alimentazione collegata via cavo, leggere le istruzioni e le indicazioni delle avvertenze riportate su quest'ultima.

Combinazione di catena della sega, barra guida e rocchetto





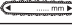

Tipo di catena della sega		90PX / M41	
Numero di maglie motrici		40	46
Barra guida	Lunghezza barra guida	25 cm	30 cm
	Lunghezza di taglio	240 mm	296 mm
	Passo	3/8"	
	Spessore	1,1 mm	
	Tipo	Barra con estremità a rocchetto	
Rocchetto	Numero di denti	6	
	Passo	3/8"	

Tipo di catena della sega		91PX / M43	
Numero di maglie motrici		40	46
Barra guida	Lunghezza barra guida	25 cm	30 cm
	Lunghezza di taglio	240 mm	296 mm
	Passo	3/8"	
	Spessore	1,3 mm	
	Tipo	Barra con estremità a rocchetto	
Rocchetto	Numero di denti	6	
	Passo	3/8"	

AVVERTIMENTO: Utilizzare una combinazione appropriata di barra di guida e catena della sega. In caso contrario, si potrebbero causare lesioni personali.

Simboli

Le figure seguenti mostrano i simboli utilizzati per l'apparecchio. Accertarsi di comprenderne il significato prima dell'uso.

	Non esporre all'umidità.
	Leggere il manuale d'uso.
	Indossare un elmetto, occhiali protettivi e protezioni acustiche.
	Indossare guanti protettivi.
	Indossare stivali robusti con soles antiscivolo. Si consiglia l'utilizzo di stivali antinfortunistici con puntale in acciaio.
	Fare attenzione alle linee elettriche, rischio di scosse elettriche.
	Mantenere una distanza di almeno 15 m.
	Lunghezza di taglio massima consentita
	Direzione di corsa della catena
	Serbatoio dell'olio catena
	Superfici estremamente calde - Pericolo di ustioni alle dita o alle mani.



Solo per le nazioni dell'EU
A causa della presenza di componenti pericolosi nelle apparecchiature, i rifiuti di apparecchiature elettriche ed elettroniche, accumulatori e batterie potrebbero produrre un impatto negativo sull'ambiente e sulla salute umana.

Non smaltire elettrodomestici elettrici ed elettronici o batterie insieme ai rifiuti domestici!

In conformità alla direttiva europea sui rifiuti di apparecchiature elettriche ed elettroniche (RAEE), sugli accumulatori e le batterie, nonché sui rifiuti di accumulatori e batterie, e al suo adattamento alle normative nazionali, i rifiuti di apparecchiature elettriche ed elettroniche, batterie e accumulatori vanno conservati separatamente e conferiti a un punto di raccolta separato per i rifiuti comunali, operando in conformità alle normative per la protezione dell'ambiente.

Tale requisito viene indicato mediante il simbolo del bidone della spazzatura con ruote barrato apposto sull'apparecchio.



Livello di potenza sonora garantita in base alla Direttiva rumore macchine all'aperto UE.



Livello di potenza sonora in base alla normativa sul controllo del rumore NSW australiana

Utilizzo previsto

L'utensile è destinato alla potatura di rami normali e di grandi dimensioni.

Rumore

Livello tipico di rumore pesato A determinato in base allo standard ISO22868(ISO11680-1):

Livello di pressione sonora (L_{pA}): 92 dB (A)

Livello di potenza sonora (L_{WA}): 103 dB (A)

Incertezza (K): 3 dB (A)

NOTA: Il valore o i valori dichiarati delle emissioni di rumori sono stati misurati in conformità a un metodo standard di verifica, e possono essere utilizzati per confrontare un utensile con un altro.

NOTA: Il valore o i valori dichiarati delle emissioni di rumori possono venire utilizzati anche per una valutazione preliminare dell'esposizione.

⚠AVVERTIMENTO: Indossare protezioni per le orecchie.

⚠AVVERTIMENTO: L'emissione di rumori durante l'utilizzo effettivo dell'utensile elettrico può variare rispetto al valore o ai valori dichiarati, a seconda dei modi in cui viene utilizzato l'utensile e specialmente a seconda di che tipo di pezzo venga lavorato.

⚠AVVERTIMENTO: Accertarsi di identificare misure di sicurezza per la protezione dell'operatore che siano basate su una stima dell'esposizione nelle condizioni effettive di utilizzo (tenendo conto di tutte le parti del ciclo operativo, ad esempio del numero di spegnimenti dell'utensile e di quando giri a vuoto, oltre al tempo di attivazione).

Vibrazioni

Maniglia sinistra (impugnatura anteriore)		Maniglia destra (impugnatura posteriore)		Standard applicabile
ah (m/s ²)	Incertezza K (m/s ²)	ah (m/s ²)	Incertezza K (m/s ²)	
2,5 o meno	1,5	2,8	1,5	ISO22867(ISO11680-1)

NOTA: Il valore o i valori complessivi delle vibrazioni dichiarati sono stati misurati in conformità a un metodo standard di verifica, e possono essere utilizzati per confrontare un utensile con un altro.

NOTA: Il valore o i valori complessivi delle vibrazioni dichiarati possono venire utilizzati anche per una valutazione preliminare dell'esposizione.

⚠AVVERTIMENTO: L'emissione delle vibrazioni durante l'utilizzo effettivo dell'utensile elettrico può variare rispetto al valore o ai valori dichiarati, a seconda dei modi in cui viene utilizzato l'utensile, specialmente a seconda di che tipo di pezzo venga lavorato.

⚠AVVERTIMENTO: Accertarsi di identificare misure di sicurezza per la protezione dell'operatore che siano basate su una stima dell'esposizione nelle condizioni effettive di utilizzo (tenendo conto di tutte le parti del ciclo operativo, ad esempio del numero di spegnimenti dell'utensile e di quando giri a vuoto, oltre al tempo di attivazione).

Dichiarazioni di conformità

Solo per i paesi europei

Le Dichiarazioni di conformità sono incluse nell'Allegato A al presente manuale d'uso.

Il termine "utensile elettrico" nelle avvertenze si riferisce sia all'utensile elettrico (cablato) nel funzionamento alimentato da rete elettrica che all'utensile elettrico (a batteria) nel funzionamento alimentato a batteria.

Avvertenze di sicurezza relative all'elettrosega telescopica a batteria

AVVERTENZE DI SICUREZZA

Avvertenze generali relative alla sicurezza dell'utensile elettrico

⚠AVVERTIMENTO Leggere tutte le avvertenze di sicurezza, le istruzioni, le illustrazioni e i dati tecnici forniti insieme a questo utensile elettrico. La mancata osservanza di tutte le istruzioni seguenti potrebbe risultare in scosse elettriche, incendi e/o gravi lesioni personali.

Conservare tutte le avvertenze e le istruzioni come riferimento futuro.

Precauzioni generali

1. Prima di avviare l'utensile, leggere il presente manuale d'uso per familiarizzare con l'utilizzo dell'utensile.
2. Non prestare l'utensile a persone dotate di esperienza o nozioni insufficienti relative all'utilizzo dell'utensile.
3. Quando si intende prestare l'utensile, allegarvi sempre il presente manuale d'uso.
4. Non consentire a bambini o a giovani al di sotto dei 18 anni di utilizzare l'utensile. Tenerli lontani dall'utensile.
5. Maneggiare l'utensile con la massima cura e attenzione.
6. Non utilizzare mai l'utensile dopo aver fatto uso di alcool o droghe, o in condizioni fisiche di stanchezza o malattia.
7. Non tentare mai di modificare l'utensile.
8. Non utilizzare l'utensile in condizioni

meteorologiche avverse, specialmente quando sussiste il rischio di fulmini. In tal modo si riduce il rischio di venire colpiti da un fulmine.

9. **Le normative nazionali potrebbero limitare l'utilizzo dell'utensile. Attenersi alle normative relative all'uso dell'utensile nella propria nazione.**

Attrezzatura di protezione personale

1. **Indossare un casco di sicurezza, occhiali protettivi e guanti protettivi per proteggersi da detriti volanti oppure oggetti che cadano.**
2. **Indossare protezioni per l'udito, ad esempio cuffie antirumore, per evitare perdite dell'udito.**
3. **Indossare indumenti e calzature appropriati per un utilizzo sicuro, ad esempio una tuta da lavoro e scarpe robuste e antiscivolo. Non indossare indumenti abbondanti o gioielli. Indumenti troppo larghi, gioielli o capelli lunghi possono restare impigliati nelle parti in movimento.**
4. **Quando si intende maneggiare la catena della sega o regolare la tensione della catena, indossare guanti protettivi. La catena della sega può tagliare gravemente le mani nude.**

Sicurezza dell'area di lavoro

1. **Tenere l'utensile ad almeno 15 m di distanza da linee elettriche e cavi di comunicazione (inclusi eventuali rami con cui siano in contatto). Il contatto con linee ad alta tensione o l'avvicinamento a queste ultime dell'utensile potrebbe causare la morte o gravi lesioni personali. Osservare le linee elettriche e le recinzioni elettrificate intorno all'area di lavoro, prima di iniziare l'uso.**
2. **Utilizzare l'utensile esclusivamente in condizioni di buona visibilità e sotto luce diurna. Non utilizzare l'utensile al buio o nella nebbia.**
3. **Durante l'uso, non stare mai in piedi su superfici instabili o scivolose o su pendii ripidi. Durante la stagione fredda, fare attenzione al ghiaccio e alla neve e assicurare sempre un saldo equilibrio sui piedi.**
4. **Durante l'uso, tenere astanti o animali a una distanza di almeno 15 m dall'utensile. Arrestare l'utensile non appena si avvicina qualcuno.**
5. **Quando si intende lavorare con due o più persone, mantenere una distanza reciproca di almeno 15 m, e utilizzare un supervisore.**
6. **Prima dell'uso, esaminare l'eventuale presenza nell'area di lavoro di recinzioni metalliche, pareti o altri oggetti solidi. Tali oggetti possono danneggiare la catena della sega.**

Preparazione

1. **Prima di assemblare o regolare l'utensile, spegnerlo e rimuovere la cartuccia della batteria.**
2. **Quando si intende maneggiare la catena della sega o regolare la tensione della catena, indossare guanti protettivi.**
3. **Prima di avviare l'utensile, ispezionarlo alla ricerca di eventuali danni, viti/dadi allentati o montaggio errato. Affilare una catena della sega smussata. Qualora la catena della sega sia piegata o danneggiata, sostituirla.**

Verificare che tutte le leve e gli interruttori di controllo funzionino agevolmente. Pulire e asciugare le impugnature.

4. **Non tentare mai di avviare l'utensile qualora sia danneggiato o non sia stato completamente assemblato. In caso contrario, si potrebbero causare gravi lesioni personali.**
5. **Regolare l'imbracatura per adattarla alla taglia del corpo dell'operatore.**
6. **Regolare correttamente la tensione della catena. Se necessario, rabboccare l'olio catena.**

Avvio dell'utensile

1. **Prima di avviare l'utensile, indossare le attrezzature di protezione personale.**
2. **Prima di avviare l'utensile, accertarsi che non vi siano persone o animali nell'area di lavoro.**
3. **Quando si intende installare la cartuccia della batteria, tenere la catena della sega e la barra guida lontane dal proprio corpo e da altri oggetti, incluso il suolo. La catena della sega potrebbe muoversi durante l'avvio, e potrebbe causare gravi lesioni personali o danni alla catena della sega stessa e/o alle cose.**
4. **Posizionare l'utensile su suolo stabile. Mantenere un buon equilibrio e un appoggio saldo sui piedi.**

Funzionamento

1. **In caso di emergenza, spegnere immediatamente l'utensile.**
2. **Qualora si noti una qualsiasi condizione anomala (ad esempio rumori o vibrazioni) durante l'uso, spegnere l'utensile. Non utilizzare l'utensile fino all'identificazione e alla risoluzione della causa.**
3. **La catena della sega continua a muoversi per un breve periodo di tempo, dopo lo spegnimento dell'utensile. Non affrettare il contatto con la catena della sega.**
4. **Durante l'uso, utilizzare l'imbracatura. Mantenere l'utensile saldamente sul proprio lato destro.**
5. **Tenere l'impugnatura anteriore con la mano sinistra e l'impugnatura posteriore con la mano destra, indipendentemente dal fatto che l'operatore sia destrorso o mancino. Avvolgere le dita e i pollici intorno alle impugnature.**
6. **Mantenere l'utensile solo per le superfici di impugnatura isolate, in quanto la catena della sega potrebbe entrare in contatto con fili elettrici nascosti. Una catena della sega che entri in contatto con un filo elettrico sotto tensione potrebbe mettere sotto tensione le parti metalliche esposte del potatore telescopico e dare una scossa elettrica all'operatore.**
7. **Non tentare mai di far funzionare l'utensile con una sola mano. La perdita di controllo potrebbe risultare in lesioni personali gravi o letali. Per ridurre il rischio di lesioni personali, tenere mani e piedi lontani dalla catena della sega.**
8. **Non allungarsi eccessivamente. Mantenere sempre un appoggio sui piedi e un equilibrio appropriati. Fare attenzione a ostacoli**

nascosti, quali ceppi d'albero, radici e fossi, per evitare di inciampare. Rimuovere rami caduti e altri oggetti.

9. **Per evitare la perdita di controllo, non lavorare mai su una scala a pioli o su un albero.**
10. **Qualora l'utensile subisca un forte impatto o una forte caduta, controllarne le condizioni prima di continuare il lavoro. In caso di eventuali danni o dubbi, rivolgersi a un centro di assistenza autorizzato Makita per l'ispezione e le riparazioni.**
11. **Non toccare la testa dell'utensile.** La testa dell'utensile diventa estremamente calda durante il funzionamento.
12. **Fare delle pause per evitare la perdita di controllo causata dall'affaticamento.** Si consiglia di fare una pausa di lunghezza compresa tra 10 e 20 minuti ogni ora.
13. **Quando si lascia la macchina, anche se per un breve periodo di tempo, spegnere sempre l'utensile e rimuovere la cartuccia della batteria.** L'utensile lasciato in funzione e incustodito potrebbe venire utilizzato da persone non autorizzate e causare un grave incidente.
14. **Quando si utilizza l'utensile, non sollevare la mano destra al di sopra dell'altezza della spalla.**
15. **Durante l'uso, non colpire mai con la catena della sega oggetti duri quali pietre e chiodi. Fare particolarmente attenzione quando si intende tagliare rami in prossimità di muri, recinzioni metalliche o simili.**
16. **Qualora dei rami restino incagliati nell'utensile, arrestare sempre l'utensile e rimuovere la cartuccia della batteria.** In caso contrario, un avvio accidentale potrebbe causare gravi lesioni personali.
17. **Qualora la catena della sega si intasi, spegnere sempre l'utensile e rimuovere la cartuccia della batteria, prima di effettuare la pulizia.**
18. **L'accelerazione dell'utensile con la catena della sega bloccata incrementa il carico e danneggia l'utensile.**
19. **Prima di tagliare rami di grandi dimensioni, mantenere un'area di fuga lontana dal ramo di grandi dimensioni in caduta. Innanzitutto, eliminare ostruzioni quali rami di grandi dimensioni o rami normali dall'area di lavoro. Spostare tutti gli utensili e le proprietà dall'area di fuga a un altro luogo sicuro.**
20. **Prima di tagliare rami normali e di grandi dimensioni, controllare la loro direzione di caduta, tenendo in considerazione le condizioni dei rami normali e dei rami di grandi dimensioni, alberi adiacenti, la direzione del vento, e così via. Fare la massima attenzione alla direzione di caduta e al rimbalzo del ramo che colpisce il suolo.**
21. **Non mantenere mai l'utensile a un'angolazione superiore ai 60°. In caso contrario, oggetti in caduta possono colpire l'operatore e causare gravi lesioni personali. Non stare mai al di sotto del grosso ramo che si sta tagliando.**
22. **Fare attenzione a rami rotti o piegati.** Potrebbero rimbalzare all'indietro durante il taglio,

causando lesioni personali improvvise.

23. **Prima di tagliare i grossi rami che si intende tagliare, rimuovere i rami normali e le foglie che li circondano.** In caso contrario, la catena della sega potrebbe restarvi impigliata.
24. **Per evitare che la catena della sega resti impigliata nel taglio, non rilasciare la leva prima di estrarre la catena della sega dal taglio.**
25. **Qualora la catena della sega resti inceppata nel taglio, arrestare immediatamente l'utensile, spostare con cautela il ramo per aprire il taglio e liberare la catena della sega.**
26. **Evitare il contraccolpo (forza di reazione rotazionale verso l'operatore). Per evitare il contraccolpo, non utilizzare mai la punta della barra guida né eseguire un taglio che penetri in profondità. Fare sempre attenzione alla posizione della punta della barra guida.**
27. **Controllare spesso la tensione della catena. Quando si intende controllare o regolare la tensione della catena, spegnere l'utensile e rimuovere la cartuccia della batteria. Se la tensione si è allentata, serrarla.**

Vibrazioni

1. **L'esposizione a vibrazioni eccessive causa danni ai vasi sanguigni o al sistema nervoso dell'operatore, e causa i sintomi seguenti nelle dita, nelle mani o nei polsi: Sensazioni di "addormentamento" (intorpidimento), formicolii, dolori, fitte, o alterazione del colore della pelle o della pelle stessa. Qualora si verifichi un qualsiasi sintomo tra questi, consultare un medico.**
Per ridurre il rischio della cosiddetta "sindrome del dito bianco", tenere calde le mani durante l'uso e mantenere in buone condizioni l'utensile e gli accessori.
Per il tempo di utilizzo, attenersi alle normative locali o al consiglio del medico.

Trasporto

1. **Prima di trasportare l'utensile, spegnerlo e rimuovere la cartuccia della batteria. Applicare sempre il copribarra durante il trasporto.**
2. **Quando si intende trasportare l'utensile, trasportarlo in posizione orizzontale mantenendolo per l'impugnatura.**

Manutenzione

1. **Far sottoporre a manutenzione l'apparecchio dal nostro centro di assistenza autorizzato, utilizzando sempre esclusivamente pezzi di ricambio originali.** Riparazioni errate e manutenzione inadeguata possono ridurre la vita utile dell'utensile e incrementare il rischio di incidenti.
2. **Prima di effettuare qualsiasi intervento di manutenzione o di riparazione, o prima di pulire l'utensile, spegnere sempre quest'ultimo e rimuovere la cartuccia della batteria. Attendere che l'utensile si raffreddi.**
3. **Indossare sempre guanti protettivi quando si intende maneggiare la catena della sega.**
4. **Dopo ciascun utilizzo, serrare tutte le viti e i dadi, eccettuate le viti di regolazione.**
5. **Mantenere la catena della sega affilata. Qualora la catena della sega sia diventata**

smussata e le prestazioni di taglio siano scadenti, rivolgersi a un centro di assistenza autorizzato Makita per affilarla o sostituirla con una nuova.

6. **Non tentare alcun intervento di manutenzione o riparazione non descritto nel presente manuale d'uso.** Rivolgersi a un centro di assistenza autorizzato Makita per tale tipo di lavoro.
7. **Utilizzare sempre esclusivamente pezzi di ricambio e accessori originali Makita.** L'utilizzo di pezzi o accessori forniti da terze parti potrebbe risultare in rottura dell'utensile, danni alle cose e/o gravi lesioni personali.

Conservazione

1. **Prima di riporre l'utensile, effettuare la pulizia e la manutenzione complete.** Applicare il copri-barra. Rimuovere la cartuccia della batteria. Scaricare l'olio catena dopo che l'utensile si è raffreddato.
2. **Riporre l'utensile in un'ubicazione asciutta e in posizione elevata, o chiusa a chiave, fuori dalla portata dei bambini.**
3. **Non appoggiare l'utensile contro qualcosa, ad esempio una parete.** In caso contrario, potrebbe cadere improvvisamente e causare lesioni personali.

Sicurezza elettrica e della batteria

1. **Non smaltire le batterie nel fuoco.** La cella potrebbe esplodere. Controllare le normative locali per eventuali istruzioni speciali relative allo smaltimento.
2. **Non aprire né fare a pezzi le batterie.** L'elettrolita rilasciato è corrosivo, e potrebbe causare danni agli occhi o alla pelle. Inoltre, potrebbe essere tossico, se inghiottito.
3. **Non caricare la batteria sotto la pioggia o in condizioni di bagnato.**
4. **Non caricare la batteria all'aperto.**
5. **Non maneggiare con le mani bagnate il carica-batterie, inclusa la spina dei caricabatterie e i terminali di quest'ultimo.**
6. **Evitare gli ambienti pericolosi.** Non utilizzare l'utensile in luoghi umidi o bagnati né esporlo alla pioggia. La penetrazione di acqua nell'utensile incrementa il rischio di scosse elettriche.

CONSERVARE LE PRESENTI ISTRUZIONI.

AVVERTIMENTO: NON lasciare che la comodità o la familiarità d'uso con il prodotto (acquisita con l'uso ripetuto) sostituiscano la stretta osservanza delle norme di sicurezza. L'USO IMPROPRIO o la mancata osservanza delle norme di sicurezza riportate nel presente manuale manuale di istruzioni potrebbero causare lesioni personali gravi.

Istruzioni di sicurezza importanti per la cartuccia della batteria

1. **Prima di utilizzare la cartuccia della batteria, leggere tutte le istruzioni e le avvertenze riportate (1) sul caricabatteria, (2) sulla batteria e (3) sul prodotto che utilizza la batteria.**
 2. **Non smantellare né manomettere la cartuccia della batteria.** In caso contrario, si potrebbe causare un incendio, calore eccessivo o un'esplosione.
 3. **Qualora il tempo di utilizzo si riduca eccessivamente, interrompere immediatamente l'utilizzo dell'utensile.** In caso contrario, si può incorrere nel rischio di surriscaldamento, possibili ustioni e persino un'esplosione.
 4. **Qualora l'elettrolita entri in contatto con gli occhi, sciacquarli con acqua pulita e richiedere immediatamente assistenza medica.** Questa eventualità può risultare nella perdita della vista.
 5. **Non cortocircuitare la cartuccia della batteria:**
 - (1) **Non toccare i terminali con alcun materiale conduttivo.**
 - (2) **Evitare di conservare la cartuccia della batteria in un contenitore insieme ad altri oggetti metallici quali chiodi, monete, e così via.**
 - (3) **Non esporre la cartuccia della batteria all'acqua o alla pioggia.**
- Un cortocircuito della batteria può causare un grande flusso di corrente, un surriscaldamento, possibili ustioni e persino un guasto.**
6. **Non conservare e utilizzare l'utensile e la cartuccia della batteria in ubicazioni in cui la temperatura possa raggiungere o superare i 50°C.**
 7. **Non incenerire la cartuccia della batteria anche qualora sia gravemente danneggiata o completamente esaurita.** La cartuccia della batteria può esplodere se a contatto con il fuoco.
 8. **Non inchiodare, tagliare, schiacciare, lanciare o far cadere la cartuccia della batteria, né farla urtare con forza contro un oggetto duro.** Questi comportamenti potrebbero risultare in un incendio, calore eccessivo o un'esplosione.
 9. **Non utilizzare una batteria danneggiata.**
 10. **Le batterie a ioni di litio contenute sono soggette ai requisiti del regolamento sul trasporto di merci pericolose (Dangerous Goods Legislation).**

Per trasporti commerciali, ad esempio da parte di terzi o spedizionieri, è necessario osservare dei requisiti speciali sull'imballaggio e sull'etichetta. Per la preparazione dell'articolo da spedire, è richiesta la consulenza di un esperto in materiali pericolosi. Attenersi anche alle normative nazionali, che potrebbero essere più dettagliate. Nastre o coprire i contatti aperti e imballare la batteria in modo tale che non si possa muovere liberamente all'interno dell'imballaggio.
 11. **Quando si intende smaltire la cartuccia della batteria, rimuoverla dall'utensile e smaltirla in un luogo sicuro.** Attenersi alle normative locali

relative allo smaltimento della batteria.

12. **Utilizzare le batterie esclusivamente con i prodotti specificati da Makita.** L'installazione delle batterie in prodotti non compatibili potrebbe risultare in incendi, calore eccessivo, esplosioni o perdite di liquido elettrolitico.
13. **Se l'utensile non viene utilizzato per un periodo di tempo prolungato, la batteria deve essere rimossa dall'utensile.**
14. **Durante e dopo l'uso, la cartuccia della batteria potrebbe assorbire calore, che può causare ustioni o ustioni a bassa temperatura. Fare attenzione a come si maneggiano le cartucce delle batterie estremamente calde.**
15. **Non toccare i terminali dell'utensile subito dopo l'uso, in quanto potrebbero diventare estremamente caldi al punto da causare ustioni.**
16. **Evitare di far incastrare schegge, polveri o terreno nei terminali, nei fori e nelle scanalature della cartuccia della batteria.** In caso contrario, l'utensile o la cartuccia della batteria potrebbero riscaldarsi, prendere fuoco, scoppiare o guastarsi, causando ustioni o lesioni personali.
17. **A meno che l'utensile supporti l'uso in prossimità di linee elettriche ad alta tensione, non utilizzare la cartuccia della batteria in prossimità di linee elettriche ad alta tensione.** In caso contrario, si potrebbe causare un malfunzionamento o la rottura dell'utensile o della cartuccia della batteria.
18. **Tenere la batteria lontana dai bambini.**

CONSERVARE LE PRESENTI ISTRUZIONI.

⚠ATTENZIONE: Utilizzare solo batterie originali Makita. L'utilizzo di batterie Makita non originali, o di batterie che siano state alterate, potrebbe risultare nello scoppio della batteria, causando incendi, lesioni personali e danni. Inoltre, ciò potrebbe invalidare la garanzia Makita per l'utensile e il caricabatterie Makita.

Suggerimenti per preservare la durata massima della batteria

1. **Caricare la cartuccia della batteria prima che si scarichi completamente. Smettere sempre di utilizzare l'utensile e caricare la cartuccia della batteria quando si nota che la potenza dell'utensile è diminuita.**
2. **Non ricaricare mai una cartuccia della batteria completamente carica. La sovraccarica riduce la vita utile della batteria.**
3. **Caricare la cartuccia della batteria a una temperatura ambiente compresa tra 10 °C e 40 °C. Lasciar raffreddare una cartuccia della batteria prima di caricarla.**
4. **Quando non si utilizza la cartuccia della batteria, rimuoverla dall'utensile o dal caricabatterie.**
5. **Caricare la cartuccia della batteria se non la si è utilizzata per un periodo di tempo prolungato (più di sei mesi).**

DESCRIZIONE DELLE PARTI

► Fig.1

1	Indicatore luminoso di accensione principale	2	Indicatore della modalità	3	Interruttore di accensione principale
4	Anello di aggancio	5	Leva di sblocco	6	Cartuccia della batteria
7	Interruttore a grilletto	8	Impugnatura posteriore	9	Catena della sega
10	Barra guida	11	Tappo del serbatoio dell'olio	12	Anello di blocco
13	Dado di fissaggio	14	Vite di regolazione della catena	15	Copribarra
16	Impugnatura anteriore	-	-	-	-

DESCRIZIONE DELLE FUNZIONI

⚠ATTENZIONE: Accertarsi sempre che l'utensile sia spento e che la cartuccia della batteria sia stata rimossa prima di regolare o di controllare il funzionamento dell'utensile.

Installazione o rimozione della cartuccia della batteria

ATTENZIONE: Spegnerne sempre l'utensile prima di installare o rimuovere la cartuccia della batteria.

ATTENZIONE: Mantenere saldamente lo strumento e la batteria quando si intende installare o rimuovere la cartuccia della batteria. Qualora non si mantengono saldamente lo strumento e la cartuccia della batteria, questi ultimi potrebbero scivolare dalle mani, con la possibilità di causare un danneggiamento dello strumento e della cartuccia della batteria, nonché una lesione personale.

Per installare la cartuccia della batteria, allineare la linguetta sulla cartuccia della batteria con la scanalatura nell'alloggiamento e farla scivolare in sede. Inserirli completamente fino al suo blocco in sede con un leggero scatto. Se è possibile vedere l'indicatore rosso, come indicato nella figura, non è bloccata completamente.

Per rimuovere la cartuccia della batteria, farla scorrere via dall'utensile mentre si fa scorrere allo stesso tempo il pulsante sulla parte anteriore della cartuccia.

► **Fig.2:** 1. Indicatore rosso 2. Pulsante 3. Cartuccia della batteria

ATTENZIONE: Installare sempre fino in fondo la cartuccia della batteria, fino a quando l'indicatore rosso non è più visibile. In caso contrario, la batteria potrebbe cadere accidentalmente dall'utensile, causando lesioni personali all'operatore o a chi gli è vicino.

ATTENZIONE: Non installare forzatamente la cartuccia della batteria. Qualora la batteria non si inserisca scorrendo agevolmente, vuol dire che non viene inserita correttamente.

Indicazione della carica residua della batteria

Solo per cartucce delle batterie dotate di indicatore

Premere il pulsante di controllo sulla cartuccia della batteria per indicare la carica residua della batteria. Gli indicatori luminosi si illuminano per alcuni secondi.

► **Fig.3:** 1. Indicatori luminosi 2. Pulsante di controllo

Indicatori luminosi			Carica residua
■ Illuminato	□ Spento	▬ Lampeggiante	
■	□	▬	
■ ■ ■ ■			Dal 75% al 100%
■ ■ ■ □			Dal 50% al 75%
■ ■ □ □			Dal 25% al 50%
■ □ □ □			Dallo 0% al 25%

Indicatori luminosi			Carica residua
■ Illuminato	□ Spento	▬ Lampeggiante	
▬	□ □ □		Caricare la batteria.
■ ■ □ □	↑ ↓	■ ■	La batteria potrebbe essersi guastata.

NOTA: A seconda delle condizioni d'uso e della temperatura ambiente, l'indicazione potrebbe variare leggermente rispetto alla carica effettiva.

NOTA: Il primo indicatore luminoso (all'estremità sinistra) lampeggia quando il sistema di protezione della batteria è in funzione.

Sistema di protezione strumento/batteria

L'utensile è dotato di un sistema di protezione dell'utensile stesso e della batteria. Tale sistema interrompe automaticamente l'alimentazione al motore per prolungare la vita utile dell'utensile e della batteria. L'utensile si arresta automaticamente durante il funzionamento, qualora l'utensile o la batteria vengano a trovarsi in una delle condizioni seguenti:

Protezione dal sovraccarico

Quando la batteria viene utilizzata in un modo che causi un assorbimento di corrente elevato in modo anomalo, l'utensile si arresta automaticamente e l'indicatore luminoso di accensione principale lampeggia in verde. In tal caso, spegnere l'utensile e interrompere l'applicazione che ha causato il sovraccarico. Quindi, riaccendere l'utensile per riavviarlo.

Protezione dal surriscaldamento

Quando l'utensile o la batteria sono surriscaldati, l'utensile si arresta automaticamente, e l'indicatore luminoso di accensione principale si illumina in rosso. In tal caso, lasciare che l'utensile e la batteria si raffreddino prima di riaccendere l'utensile.

NOTA: In un ambiente dalla temperatura elevata, è probabile che la protezione dal surriscaldamento entri in funzione e che l'utensile si arresti automaticamente.

Protezione dalla sovrascarica

Quando la carica della batteria non è sufficiente, l'utensile si arresta automaticamente, e l'indicatore luminoso di accensione principale lampeggia in rosso. In tal caso, rimuovere la batteria dall'utensile e caricare la batteria.

Interruttore di accensione principale

AVVERTIMENTO: Disattivare sempre l'interruttore di accensione principale quando l'utensile non è in uso.

Per accendere l'utensile, premere l'interruttore di accensione principale fino a quando l'indicatore luminoso di accensione principale si illumina in verde. Per spegnerlo, premere di nuovo l'interruttore di accensione principale.

- **Fig.4:** 1. Indicatore luminoso di accensione principale 2. Indicatore della modalità 3. Interruttore di accensione principale

NOTA: L'indicatore luminoso di accensione principale lampeggia in verde quando si attiva l'interruttore di accensione principale mentre si tiene premuta la leva di sblocco e si preme l'interruttore a grilletto. In questo caso, rilasciare l'interruttore a grilletto e la leva di sblocco, quindi attivare l'interruttore di accensione principale.

NOTA: Questo utensile utilizza una funzione di spegnimento automatico. Per evitare un avvio accidentale, l'interruttore di accensione principale si disattiva automaticamente quando l'interruttore a grilletto non viene premuto per un determinato periodo di tempo dopo che l'interruttore di accensione principale è stato attivato.

È possibile utilizzare l'utensile in modalità Incremento coppia per tagliare i rami spessi o duri. Per utilizzare l'utensile in modalità Incremento coppia, quando l'utensile è spento, premere l'interruttore di accensione principale per qualche secondo, fino a quando l'indicatore della modalità si illumina in verde.

NOTA: È possibile utilizzare l'utensile in modalità Incremento coppia per un massimo di 60 secondi. A seconda delle condizioni di utilizzo, questa modalità passa alla modalità normale in meno di 60 secondi.

NOTA: Qualora l'indicatore della modalità lampeggi in verde quando si preme l'interruttore di accensione principale per qualche secondo, la modalità Incremento coppia non è disponibile. In questo caso, attenersi alla procedura seguente.

- La modalità Incremento coppia non è disponibile subito dopo l'operazione di taglio. Attendere per più di 10 secondi, quindi premere di nuovo l'interruttore di accensione principale per qualche secondo.
- Qualora si utilizzi la modalità Incremento coppia svariate volte, l'utilizzo della modalità Incremento coppia viene limitato per proteggere la batteria. Qualora la modalità Incremento coppia non sia disponibile dopo aver atteso per più di 10 secondi, sostituire la cartuccia della batteria con una completamente carica, oppure ricaricare la cartuccia della batteria.

NOTA: Qualora l'indicatore luminoso di accensione principale si illumina in rosso o lampeggi in rosso o in verde, consultare le istruzioni del sistema di protezione dell'utensile o della batteria.

Funzionamento dell'interruttore

AVVERTIMENTO: Per la sicurezza dell'utente, questo utensile è dotato di leva di sblocco che evita l'avvio accidentale dell'utensile stesso. Non utilizzare MAI l'utensile qualora entri in funzione semplicemente premendo l'interruttore a grilletto senza tenere premuta la leva di sblocco. Portare l'utensile a un nostro centro di assistenza autorizzato per le riparazioni del caso PRIMA di utilizzarlo ulteriormente.

AVVERTIMENTO: Non bloccare MAI con del nastro adesivo né rendere inefficace lo scopo e il funzionamento della leva di sblocco.

ATTENZIONE: Prima di inserire la cartuccia della batteria nell'utensile, controllare sempre che l'interruttore a grilletto funzioni correttamente e torni sulla posizione "OFF" quando viene rilasciato.

AVVISO: Non premere con forza l'interruttore a grilletto senza tenere premuta la leva di sblocco. In caso contrario, si potrebbe causare la rottura dell'interruttore.

Per evitare che l'interruttore a grilletto venga premuto accidentalmente, è fornita una leva di sblocco. Per avviare l'utensile, tenere premuta la leva di sblocco e premere l'interruttore a grilletto. La velocità dell'utensile aumenta incrementando la pressione sull'interruttore a grilletto. Per arrestare l'utensile, rilasciare l'interruttore a grilletto.

- **Fig.5:** 1. Interruttore a grilletto 2. Leva di sblocco

Regolazione della lunghezza del tubo

Per allungare o accorciare il tubo, allentare l'anello di blocco ruotandolo in senso antiorario, quindi regolare la lunghezza del tubo e infine serrare l'anello ruotando l'anello di blocco in senso orario.

- **Fig.6:** 1. Anello di blocco 2. Tubo

Funzione elettronica

L'utensile è dotato di funzioni elettroniche, per un facile utilizzo.

- Controllo costante della velocità
La funzione di controllo della velocità fornisce una velocità di rotazione costante, indipendentemente dalle condizioni di carico.

MONTAGGIO

⚠ATTENZIONE: Accertarsi sempre che l'utensile sia spento e che la cartuccia della batteria sia stata rimossa, prima di effettuare qualsiasi intervento sull'utensile.

⚠ATTENZIONE: Non toccare la catena della sega con le mani nude. Indossare sempre i guanti quando si intende maneggiare la catena della sega.

Montaggio dell'utensile

1. Rimuovere 2 cappucci dal tubo e 1 cappuccio dalla testa dell'utensile.
▶ Fig.7: 1. Cappuccio 2. Tubo 3. Testa dell'utensile
2. Allentare 3 bulloni, quindi rimuovere 1 bullone utilizzando la chiave esagonale.
▶ Fig.8: 1. Bullone
3. Inserire il tubo nel corpo dell'utensile fino in fondo, quindi allineare il foro sul tubo con il foro sul corpo dell'utensile.
▶ Fig.9: 1. Foro 2. Tubo
4. Serrare i 3 bulloni utilizzando la chiave esagonale.
▶ Fig.10: 1. Bullone
5. Allentare 2 bulloni, quindi rimuovere 1 bullone.
▶ Fig.11: 1. Bullone
6. Allentare l'anello di blocco ruotandolo in senso antiorario, allungare il tubo di circa 10 cm o più, quindi serrare l'anello di blocco ruotandolo in senso orario.
▶ Fig.12: 1. Anello di blocco 2. Almeno 10 cm 3. Tubo
7. Inserire il tubo nella testa dell'utensile fino in fondo, quindi allineare il foro sul tubo con il foro sulla testa dell'utensile.
▶ Fig.13: 1. Foro 2. Tubo
8. Serrare i 2 bulloni utilizzando la chiave esagonale.
▶ Fig.14: 1. Bullone

Rimozione o installazione della catena della sega

⚠ATTENZIONE: La catena della sega e la barra guida sono ancora estremamente calde subito dopo l'uso. Lasciarle raffreddare a sufficienza prima di eseguire qualsiasi operazione sull'utensile.

⚠ATTENZIONE: Eseguire la procedura di installazione o rimozione della catena della sega in un'ubicazione pulita, priva di segatura e simili.

Per rimuovere la catena della sega, attenersi alla procedura seguente:

1. Allentare la vite di regolazione della catena e quindi il dado di fissaggio.
▶ Fig.15: 1. Vite di regolazione della catena 2. Dado di fissaggio
2. Rimuovere il coperchio del rocchetto, quindi

rimuovere la catena della sega e la barra guida dal corpo dell'utensile.

Per installare la catena della sega, attenersi alla procedura seguente:

1. Controllare la direzione della catena della sega. Far corrispondere la direzione della catena della sega con quella del simbolo sul corpo dell'utensile.
2. Disporre un'estremità della catena della sega sopra la barra guida. Disporre l'altra estremità della catena della sega intorno al rocchetto. Accertarsi che la catena della sega sia inserita correttamente sul rocchetto e nella scanalatura della barra guida.
3. Montare la barra guida sul corpo dell'utensile, allineando il foro sulla barra guida con il perno sul corpo dell'utensile.
▶ Fig.16: 1. Rocchetto 2. Foro
4. Inserire nel corpo dell'utensile la sporgenza presente sul coperchio del rocchetto, quindi chiudere il coperchio in modo che il bullone e il perno sul corpo nell'utensile si inseriscano nelle relative controparti sul coperchio.
▶ Fig.17: 1. Sporgenza 2. Coperchio del rocchetto 3. Bullone 4. Perno
5. Serrare il dado di fissaggio per fissare il coperchio del rocchetto, quindi allentarlo leggermente per la regolazione della tensione.
▶ Fig.18: 1. Dado di fissaggio

Regolazione della tensione della catena della sega

⚠ATTENZIONE: Non serrare eccessivamente la catena della sega. Una tensione eccessiva della catena della sega potrebbe causare la rottura della catena della sega e l'usura della barra guida.

⚠ATTENZIONE: Una catena troppo allentata può saltare fuori dalla barra, e potrebbe causare lesioni personali.

La catena della sega potrebbe allentarsi, dopo molte ore d'uso. Di tanto in tanto, prima dell'uso, verificare la tensione della catena della sega.

1. Allentare di poco il dado di fissaggio per allentare leggermente il coperchio del rocchetto.
▶ Fig.19: 1. Dado di fissaggio
2. Sollevare leggermente la punta della barra guida e regolare la tensione della catena. Ruotare la vite di regolazione della catena in senso antiorario per serrare la catena, e in senso orario per allentare la catena. Serrare la catena della sega fino a quando il lato inferiore della catena della sega entra nel binario della barra guida, come illustrato nella figura.
▶ Fig.20: 1. Barra guida 2. Catena della sega 3. Vite di regolazione della catena

3. Continuare a mantenere delicatamente la barra guida e montare il coperchio del rocchetto. Accertarsi che la catena della sega non si allenti sul lato inferiore.
4. Serrare il dado di fissaggio per fissare il coperchio del rocchetto.

► Fig.21: 1. Dado di fissaggio

Installazione o rimozione dell'accessorio angolato

Accessorio opzionale

⚠ATTENZIONE: Prima di installare o rimuovere l'accessorio angolato, accertarsi di applicare il copribarra sull'utensile.

È possibile cambiare l'angolazione della testa dell'utensile montando l'accessorio angolato sull'utensile.

1. Allentare l'anello di blocco ruotandolo in senso antiorario, allungare il tubo di circa 10 cm o più, quindi serrare l'anello di blocco ruotandolo in senso orario.

► Fig.22: 1. Almeno 10 cm 2. Anello di blocco 3. Tubo

2. Allentare i 2 bulloni con la chiave esagonale, quindi rimuovere il tubo dalla testa dell'utensile.

► Fig.23: 1. Bullone

3. Rimuovere i cappucci dall'accessorio angolato.

► Fig.24: 1. Cappuccio

4. Allineare il foro sul tubo con quello sull'accessorio, quindi inserire il tubo nell'accessorio.

► Fig.25: 1. Foro 2. Bullone 3. Tubo

5. Serrare i 2 bulloni per fissare l'accessorio.

► Fig.26: 1. Bullone

6. Montare la testa dell'utensile sull'accessorio.

Per fissare la testa dell'utensile verticalmente, fissare l'accessorio serrando il bullone sul foro dell'accessorio mostrato nella figura, quindi serrare l'altro bullone.

► Fig.27: 1. Bullone 2. Foro

Per fissare la testa dell'utensile orizzontalmente, fissare l'accessorio serrando il bullone sul foro dell'accessorio mostrato nella figura, quindi serrare l'altro bullone.

► Fig.28: 1. Bullone 2. Foro

Per rimuovere l'accessorio angolato, eseguire la procedura di installazione al contrario.

FUNZIONAMENTO

Lubrificazione

AVVISO: Quando si rabbocca l'olio catena per la prima volta, oppure quando si intende riempire il serbatoio dopo che si è svuotato completamente, aggiungere l'olio fino al bordo inferiore del bocchettone. In caso contrario, l'erogazione dell'olio potrebbe venire ostacolata.

AVVISO: Utilizzare olio per catene motosega esclusivo Makita o un olio equivalente disponibile in commercio.

AVVISO: Non utilizzare mai oli contenenti polveri e particelle, oppure oli volatili.

AVVISO: Per la potatura degli alberi, utilizzare oli biologici. Gli oli minerali potrebbero essere nocivi per gli alberi.

AVVISO: Prima dell'operazione di taglio, accertarsi che il tappo del serbatoio dell'olio in dotazione sia avvitato in sede.

La catena della sega viene lubrificata automaticamente quando l'utensile è in uso. Controllare a intervalli regolari la quantità d'olio restante nel serbatoio dell'olio.

► Fig.29: 1. Serbatoio dell'olio

Per rabboccare il serbatoio, collocare l'utensile su una superficie piana, premere il pulsante sul tappo del serbatoio dell'olio in modo che il pulsante sull'altro lato si sollevi, quindi rimuovere il tappo del serbatoio dell'olio ruotandolo.

La quantità d'olio corretta è 160 ml. Dopo il rabbocco del serbatoio, accertarsi che il tappo del serbatoio dell'olio sia serrato saldamente.

► Fig.30: 1. Tappo del serbatoio dell'olio 2. Per serrare 3. Per allentare

NOTA: Qualora risulti difficile rimuovere il tappo del serbatoio dell'olio, inserire la chiave a tubo nell'alloggiamento del tappo del serbatoio dell'olio, quindi rimuovere il tappo del serbatoio dell'olio ruotandolo in senso antiorario.

► Fig.31: 1. Alloggiamento 2. Chiave a tubo

Dopo il rabbocco, tenere l'utensile lontano dall'albero. Avviarlo e attendere che la lubrificazione sulla catena della sega sia adeguata.

► Fig.32

Fissaggio della tracolla

⚠ATTENZIONE: Quando si utilizza l'utensile in combinazione con un alimentatore di tipo a zaino, ad esempio un gruppo di alimentazione portatile, non utilizzare l'imbracatura inclusa nella confezione dell'utensile, ma utilizzare la fascia di sospensione consigliata da Makita.

Qualora si indossino contemporaneamente l'imbracatura inclusa nella confezione dell'utensile e l'imbracatura di un alimentatore di tipo a zaino, la rimozione dell'utensile o dell'alimentatore di tipo a zaino risulta difficoltosa, in caso di emergenza, e potrebbe causare un incidente o lesioni personali. Per informazioni sulla fascia di sospensione consigliata, rivolgersi ai centri di assistenza autorizzati Makita.

⚠ATTENZIONE: Utilizzare sempre la tracolla montata sull'utensile. Prima dell'uso, regolare la tracolla in base alla taglia dell'utente, per evitare l'affaticamento.

⚠ATTENZIONE: Prima dell'uso, accertarsi che la tracolla sia fissata correttamente all'anello di aggancio presente sull'utensile.

⚠ATTENZIONE: Prima dell'uso, accertarsi che la fibbia dell'imbracatura sia allacciata saldamente.

⚠ATTENZIONE: Utilizzare sempre l'imbracatura dedicata per questo utensile. Non utilizzare altre imbracature.

1. Indossare la tracolla e allacciare la fibbia.

► Fig.33: 1. Fibbia

NOTA: Quando si intende rimuovere l'imbracatura, sbloccare la fibbia e rimuovere l'imbracatura.

2. Regolare la tracolla su una posizione di lavoro comoda.

► Fig.34

3. Fissare il gancio presente sulla tracolla all'anello di aggancio dell'utensile.

► Fig.35: 1. Gancio 2. Anello di aggancio

L'imbracatura è dotata di un sistema di sgancio rapido. È sufficiente premere i lati della fibbia per sganciare l'imbracatura.

► Fig.36: 1. Fibbia

Uso dell'utensile

⚠ATTENZIONE: Tenere tutte le parti del corpo lontane dalla catena della sega quando il motore è in funzione.

⚠ATTENZIONE: Mantenere saldamente l'utensile con entrambe le mani mentre il motore è in funzione.

⚠ATTENZIONE: Non sporgersi eccessivamente. Mantenere sempre un appoggio corretto sui piedi e l'equilibrio.

⚠ATTENZIONE: Quando si intende tagliare attraverso i rami, fare attenzione a non perdere l'equilibrio a causa del peso della testa dell'utensile.

⚠ATTENZIONE: Mantenere sempre una via di fuga, in caso di caduta di un ramo tagliato verso l'operatore.

⚠ATTENZIONE: Non utilizzare mai la punta della barra guida per il taglio. In caso contrario si potrebbe verificare un pericoloso contraccolpo, che potrebbe risultare in lesioni personali.

AVVISO: Non lanciare né far cadere mai l'utensile.

AVVISO: Non coprire le aperture di ventilazione dell'utensile.

AVVISO: Non forzare l'utensile. In caso, contrario, si potrebbe danneggiare l'utensile.

Posizionarsi su una superficie stabile e mantenere l'utensile lontano dai rami, in modo che l'angolazione dell'utensile diventi pari o inferiore a 60° rispetto al suolo orizzontale.

► Fig.37: 1. Pari o inferiore a 60°

Avviare l'utensile, quindi premere leggermente la catena della sega sul ramo.

Quando si intende tagliare rami lunghi, al fine di controllare la posizione di caduta dei rami tagliati, dividere il ramo in sezioni e tagliarlo dalla punta. Fare attenzione ai rami che cadono, poiché potrebbero rimbalzare nella direzione dell'operatore dopo aver colpito il suolo.

► Fig.38

Quando si intende tagliare rami spessi, incidere innanzitutto una tacca poco profonda dal basso, quindi effettuare il taglio finale a partire dall'alto.

► Fig.39

Qualora si provi a tagliare completamente rami spessi dal basso, il ramo potrebbe calare e far incastrare la catena della sega nel taglio. Qualora si provi a tagliare rami spessi dall'alto senza un taglio poco profondo dal basso, il ramo potrebbe spaccarsi.

► Fig.40

Trasporto dell'utensile

Prima di trasportare l'utensile, rimuovere sempre le cartucce delle batterie dall'utensile, applicare il copribarra, quindi accorciare il tubo. Coprire anche la cartuccia della batteria con il coperchio della batteria.

► Fig.41: 1. Copribarra 2. Coperchio della batteria

Uso dell'utensile con il gruppo di alimentazione portatile

Accessorio opzionale

Utilizzare la fascia di sospensione quando si utilizza l'utensile con il gruppo di alimentazione portatile.

Montaggio della fascia di sospensione

1. Fissare i ganci della fascia di sospensione agli anelli dell'imbracatura o alla cintura, come indicato nella figura. Selezionare il tipo di fascia e il metodo di collegamento adeguati al proprio utilizzo.

► **Fig.42:** 1. Anello 2. Gancio

► **Fig.43:** 1. Anello 2. Gancio

2. Montare il gancio sull'utensile.

► **Fig.44:** 1. Gancio

Distacco dell'utensile

Quando si intende appoggiare a terra l'utensile, sbloccare la fibbia sulla fascia di sospensione con una mano mentre si mantiene l'utensile con l'altra mano.

► **Fig.45:** 1. Fibbia

NOTA: La fibbia potrebbe non essere in dotazione, a seconda del tipo di fascia.

Qualora sia necessario sganciare rapidamente l'utensile, attenersi alla procedura seguente.

1. Premere le leve sulla fibbia della cintura per sbloccare la fibbia.

► **Fig.46:** 1. Fibbia 2. Leva

2. Rimuovere l'imbracatura per sganciare l'utensile e l'unità.

► **Fig.47:** 1. Imbracatura

MANUTENZIONE

ATTENZIONE: Accertarsi sempre che l'utensile sia spento e che la cartuccia della batteria sia stata rimossa prima di tentare di eseguire interventi di ispezione o manutenzione.

ATTENZIONE: Indossare sempre i guanti prima di eseguire qualsiasi ispezione o manutenzione.

AVVISO: Non utilizzare mai benzina, benzene, solventi, alcol o altre sostanze simili. In caso contrario, si potrebbero causare scolorimenti, deformazioni o crepe.

Per preservare la SICUREZZA e l'AFFIDABILITÀ del prodotto, le riparazioni e qualsiasi altro intervento di manutenzione e di regolazione devono essere eseguiti da un centro di assistenza autorizzato Makita, utilizzando sempre ricambi Makita.

Affilatura della catena della sega

Affilare la catena della sega quando:

- Si produce una segatura farinosa quando si taglia il legno umido;
- La catena penetra nel legno con difficoltà, anche quando si applica una forte pressione;
- Il tagliente è visibilmente danneggiato;
- La motosega tira verso sinistra o destra nel legno. (Ciò è causato da un'affilatura non uniforme della catena della sega oppure dal danneggiamento di un solo lato).

Affilare spesso la catena della sega, ma poco alla volta. Per la normale riaffilatura sono generalmente sufficienti due o tre colpi di lima. Quando la catena della sega è stata riaffilata diverse volte, farla affilare in un nostro centro di assistenza autorizzato.

Criteri di affilatura:

AVVERTIMENTO: Una distanza eccessiva tra il tagliente e il limitatore di profondità aumenta il rischio di contraccolpi.

► **Fig.48:** 1. Lunghezza della lama 2. Distanza tra il tagliente e il limitatore di profondità 3. Lunghezza minima della lama (3 mm)

- Tutte le lame devono avere la stessa lunghezza. Le lame con lunghezze diverse impediscono alla catena della sega di scorrere normalmente, e potrebbero causare la rottura della catena della sega.
- Non affilare la catena quando le lame hanno raggiunto la lunghezza minima di 3 mm o inferiore. La catena deve essere sostituita con una nuova.
- Lo spessore delle schegge viene determinato dalla distanza tra il limitatore di profondità (punta rotonda) e il tagliente.
- I risultati di taglio migliori si ottengono con la seguente distanza tra il tagliente e il limitatore di profondità.
 - Lama catena 90PX / 91PX / M41 / M43: 0,65 mm

► **Fig.49**

- L'angolo di affilatura di 30° deve essere identico su tutte le lame. Angoli diversi tra le lame causano uno scorrimento disordinato e irregolare della catena, accelerano l'usura e portano a rotture delle catene.
- Utilizzare una lima tonda appropriata in modo da conservare l'angolo di affilatura corretta contro i denti.
 - Lama catena 90PX / 91PX / M41 / M43: 55°

Lima e guida della lima

- Per affilare la catena utilizzare una speciale lima tonda (accessorio opzionale) per catene per motosega. Le comuni lime tonde non sono adatte.
- Il diametro della lima tonda per ciascuna catena della sega è il seguente:
 - Lama catena 90PX: 4,5 mm
 - Lama catena 91PX / M41 / M43: 4,0 mm
- La lima deve toccare la lama solo nel colpo in avanti. Sollevare la lima dalla lama nel percorso di ritorno.

- Affilare sempre la lama più corta per prima. La lunghezza di questa lama più corta diventa, quindi, il riferimento per tutte le altre lame della catena della sega.
 - Guidare la lima come indicato nella figura.
- **Fig.50:** 1. Lima 2. Catena della sega
- La lima può essere guidata più facilmente se si utilizza un portailima (accessorio opzionale). Sul portailima sono presenti dei segni per l'angolo corretto di affilatura di 30° (allineare i segni parallelamente alla catena della sega) e limita la profondità di penetrazione (a 4/5 del diametro della lima).
- **Fig.51:** 1. Portailima
- Dopo aver affilato la catena, controllare l'altezza del limitatore di profondità utilizzando il calibro per catena (accessorio opzionale).
- **Fig.52**
- Rimuovere eventuale materiale sporgente, benché di minima entità, con una speciale lima piatta (accessorio opzionale).
 - Arrotondare di nuovo la parte anteriore del limitatore di profondità.

Pulizia della barra guida

Le schegge e la segatura si accumulano nella scanalatura della barra guida; potrebbero intasarla e ostacolare il flusso dell'olio. Rimuovere sempre le schegge e la segatura ogni volta che si affila o si rimonta la catena della sega.

► **Fig.53**

Pulizia del coperchio del rocchetto

Le schegge e la segatura si accumulano all'interno del coperchio del rocchetto. Rimuovere il coperchio del rocchetto e la catena della sega dall'utensile, quindi pulire le schegge e la segatura.

► **Fig.54**

Pulizia del foro di scarico dell'olio

Durante l'utilizzo, nel foro di scarico dell'olio si potrebbero accumulare polveri fini o particelle. Queste ultime

potrebbero ostacolare il flusso dell'olio e causare una lubrificazione insufficiente dell'intera catena della sega. Quando si verifica una scarsa erogazione dell'olio catena nella parte superiore della barra guida, pulire il foro di scarico dell'olio nel modo seguente.

1. Rimuovere dall'utensile il coperchio del rocchetto e la catena della sega.

2. Rimuovere le polveri fini o le particelle utilizzando un cacciavite a punta piatta o un attrezzo simile.

► **Fig.55:** 1. Cacciavite a punta piatta 2. Foro di scarico dell'olio

3. Inserire la cartuccia della batteria nell'utensile. Premere l'interruttore a grilletto per far defluire le polveri o le particelle accumulate dal foro di scarico olio scaricando l'olio catena.

4. Rimuovere la cartuccia della batteria dall'utensile. Reinstallare sull'utensile il coperchio del rocchetto e la catena della sega.

Sostituzione del rocchetto

ATTENZIONE: Un rocchetto usurato danneggia una nuova catena della sega. In tal caso, far sostituire il rocchetto.

Prima di montare una nuova catena della sega, controllare le condizioni del rocchetto. Qualora il rocchetto sia usurato o danneggiato, rivolgersi ai centri di assistenza autorizzati Makita per la sostituzione.

► **Fig.56:** 1. Rocchetto 2. Aree usurate

Conservazione dell'utensile

1. Pulire l'utensile prima di riporlo. Rimuovere dall'utensile tutte le schegge e la segatura dopo aver rimosso il coperchio del rocchetto.

2. Dopo aver pulito l'utensile, farlo girare a vuoto per lubrificare la catena della sega e la barra guida.

3. Coprire la barra guida con il copribarra, quindi accorciare il tubo.

4. Svuotare il serbatoio dell'olio.

Istruzioni per la manutenzione periodica

Per assicurare una lunga vita utile dell'utensile, evitare danni e assicurare la piena operatività delle funzioni di sicurezza, è necessario eseguire a intervalli regolari la manutenzione seguente. Le clausole della garanzia sono valide solo se tale lavoro viene eseguito regolarmente e correttamente. La mancata esecuzione del lavoro di manutenzione prescritto può causare incidenti. L'utilizzatore dell'utensile non deve eseguire lavori di manutenzione non descritti nel presente manuale d'uso. Tali lavori devono essere eseguiti da un nostro centro di assistenza autorizzato.

Voce da controllare/tempo di utilizzo		Prima dell'uso	Ogni giorno	Ogni settimana	Ogni 3 mesi	Ogni anno	Prima di riporre l'utensile
Intero utensile	Ispezione.	✓	-	-	-	-	-
	Pulizia.	-	✓	-	-	-	-
	Controllo presso un centro di assistenza autorizzato.	-	-	-	-	✓	✓

Voce da controllare/tempo di utilizzo		Prima dell'uso	Ogni giorno	Ogni settimana	Ogni 3 mesi	Ogni anno	Prima di riporre l'utensile
Catena della sega	Ispezione.	✓	-	-	-	-	-
	Affilatura, se necessario.	-	-	-	-	-	✓
Barra guida	Ispezione.	✓	✓	-	-	-	-
	Rimuovere dall'utensile.	-	-	-	-	-	✓
Lubrificazione della catena	Controllare la velocità di erogazione dell'olio.	✓	-	-	-	-	-
Interruttore a grilletto	Ispezione.	✓	-	-	-	-	-
Leva di sblocco	Ispezione.	✓	-	-	-	-	-
Tappo del serbatoio dell'olio	Controllare il serraggio.	✓	-	-	-	-	-
Viti e dadi	Ispezione.	-	-	✓	-	-	-

RISOLUZIONE DEI PROBLEMI

Prima di richiedere riparazioni, eseguire un'ispezione personalmente. Qualora si rilevi un problema che non è illustrato nel manuale, non tentare di smontare l'utensile. Rivolgersi, invece, a un centro di assistenza autorizzato Makita, utilizzando sempre pezzi di ricambio Makita per le riparazioni.

Condizione di malfunzionamento	Causa	Misura correttiva
L'utensile non si avvia.	La cartuccia della batteria non è installata.	Installare una cartuccia della batteria carica.
	Problema con le batterie (tensione bassa).	Ricaricare le cartucce delle batterie. Qualora la ricarica non abbia effetto, sostituire la cartuccia della batteria.
	L'interruttore di accensione principale è disattivato.	L'utensile si spegne automaticamente se non viene utilizzato per un determinato periodo di tempo. Riattivare l'interruttore di accensione principale.
Il motore smette di girare dopo un breve utilizzo.	Il livello di carica della batteria è basso.	Ricaricare le cartucce delle batterie. Qualora la ricarica non abbia effetto, sostituire la cartuccia della batteria.
Olio assente sulla catena.	Il serbatoio dell'olio è vuoto.	Riempire il serbatoio dell'olio.
	La scanalatura della guida olio è sporca.	Pulire la scanalatura.
	Erogazione insufficiente dell'olio.	Regolare la quantità d'olio erogata mediante la vite di regolazione.
L'utensile non raggiunge il numero massimo di giri al minuto.	La cartuccia della batteria non è installata correttamente.	Installare le cartucce delle batterie come descritto nel presente manuale.
	La carica della batteria sta calando.	Ricaricare la cartuccia della batteria. Qualora la ricarica non abbia effetto, sostituire la cartuccia della batteria.
	Il sistema di trasmissione non funziona correttamente.	Richiedere la riparazione a un centro di assistenza autorizzato nella propria zona.
L'indicatore luminoso di accensione principale lampeggia in verde.	L'interruttore a grilletto è stato premuto in condizioni di impossibilità d'uso.	Premere l'interruttore a grilletto dopo che l'interruttore di accensione principale è stato attivato.
Vibrazione anomala: Arrestare immediatamente l'utensile.	La barra guida o la catena della sega è allentata.	Regolare la barra guida e la tensione della catena della sega.
	Malfunzionamento dell'utensile.	Richiedere la riparazione a un centro di assistenza autorizzato nella propria zona.

Condizione di malfunzionamento	Causa	Misura correttiva
La modalità Incremento coppia non è disponibile dopo aver sostituito la cartuccia della batteria con una completamente carica.	A seconda delle condizioni di utilizzo, la modalità Incremento coppia non è disponibile dopo la sostituzione della cartuccia della batteria.	Utilizzare l'utensile in modalità normale fino a quando la cartuccia della batteria installata si scarica completamente, quindi sostituire la cartuccia della batteria con una completamente carica, oppure ricaricare la cartuccia della batteria.
Non si riesce a installare la catena della sega.	La combinazione di catena della sega e rocchetto non è corretta.	Utilizzare la combinazione corretta di catena della sega e rocchetto facendo riferimento alla sezione dei dati tecnici.

ACCESSORI OPZIONALI

⚠ATTENZIONE: Questi accessori o componenti aggiuntivi sono consigliati per l'uso con l'utensile Makita specificato nel presente manuale. L'impiego di altri accessori o componenti aggiuntivi può costituire un rischio di lesioni alle persone. Utilizzare gli accessori o i componenti aggiuntivi solo per il loro scopo prefissato.

Per ottenere ulteriori dettagli relativamente a questi accessori, rivolgersi a un centro di assistenza Makita.

- Catena della sega
- Barra guida
- Copribarra
- Accessorio angolato
- Lima
- Batteria e caricabatterie originali Makita

⚠AVVERTIMENTO: Qualora si acquisti una barra guida di lunghezza diversa rispetto alla barra guida standard, acquistare allo stesso tempo anche un copribarra idoneo. Quest'ultimo deve poter essere inserito e coprire completamente la barra guida sull'utensile.

NOTA: Alcuni articoli nell'elenco potrebbero essere inclusi nell'imballaggio dell'utensile come accessori standard. Tali articoli potrebbero variare da nazione a nazione.

TECHNISCHE GEGEVENS

Model:		DUA301
Totale lengte (zonder zaagblad en hulpstuk)		2.530 - 3.760 mm
Nominale spanning		36 V gelijkspanning
Nettogewicht	*1	7,8 kg
	*2	7,8 - 9,0 kg
Standaard zaagbladlengte		30 cm
Aanbevolen zaagbladlengte	met 90PX / 91PX / M41 / M43	25 - 30 cm
Toepasselijk type zaagketting (raadpleeg de onderstaande tabel)		90PX / 91PX / M41 / M43
Kettingsnelheid		0 - 20 m/s (0 - 1.200 m/min)
Volume kettingolietank		160 cm ³

- In verband met ononderbroken research en ontwikkeling, behouden wij ons het recht voor de bovenstaande technische gegevens zonder voorafgaande kennisgeving te wijzigen.
- De technische gegevens kunnen van land tot land verschillen.

*1: Gewicht, met de grootste accu en een lege olietank, en zonder zaagblad, zaagketting, schouderdraagstel en hulpstuk, volgens EN ISO11680-1.

*2: De lichtste en zwaarste combinatie in gewicht volgens de EPTA-procedure 01/2014. Het gewicht kan verschillen afhankelijk van de hulpstukken, waaronder de accu.

Toepasselijke accu's en laders

Accu	BL1820B / BL1830B / BL1840B / BL1850B / BL1860B
Lader	DC18RC / DC18RD / DC18RE / DC18SD / DC18SE / DC18SF / DC18SH / DC18WC

- Sommige van de hierboven vermelde accu's en laders zijn mogelijk niet leverbaar afhankelijk van waar u woont.

⚠ WAARSCHUWING: Gebruik uitsluitend de accu's en laders die hierboven worden genoemd. Gebruik van enige andere accu of lader kan leiden tot letsel en/of brand.

Aanbevolen bekabelde voedingsbron

Draagbare voedingseenheid	PDC01 / PDC1200 / PDC1500
---------------------------	---------------------------

- De hierboven vermelde bekabelde voedingsbron(nen) is/zijn mogelijk niet leverbaar afhankelijk van waar u woont.
- Alvorens de bekabelde voedingsbron te gebruiken, leest u de instructies en waarschuwingsopdrachten erop.

Combinatie van zaagketting, zaagblad en kettingwiel






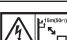





Type zaagketting		90PX / M41	
Aantal kettingschakels		40	46
Zaagblad	Lengte zaagblad	25 cm	30 cm
	Zaaglengte	240 mm	296 mm
	Steek	3/8"	
	Maat	1,1 mm	
	Type	Tandwielzaagblad	
Kettingwiel	Aantal tanden	6	
	Steek	3/8"	

Type zaagketting		91PX / M43	
Aantal kettingschakels		40	46
Zaagblad	Lengte zaagblad	25 cm	30 cm
	Zaaglengte	240 mm	296 mm
	Steek	3/8"	
	Maat	1,3 mm	
	Type	Tandwielzaagblad	
Kettingwiel	Aantal tanden	6	
	Steek	3/8"	

⚠ WAARSCHUWING: Gebruik de juiste combinatie van zaagblad en zaagketting. Anders loopt u de kans op lichamelijk letsel.

Symbolen

Hieronder staan de symbolen die voor het gereedschap kunnen worden gebruikt. Zorg ervoor dat u de betekenis ervan kent voordat u het gereedschap gaat gebruiken.

	Stel niet bloot aan vuur.
	Lees de gebruiksaanwijzing.
	Draag een veiligheidshelm, veiligheidsbril en gehoorbescherming.
	Draag veiligheidshandschoenen.
	Draag stevige schoenen met antislipzolen. Veiligheidsschoenen met stalen neuzen worden aanbevolen.
	Let goed op elektriciteitskabels: gevaar van elektrische schok.
	Houd minstens 15 meter afstand.
	Maximaal toegestane zaaglengte
	Draairichting van de ketting
	Kettingolietank
	Hete delen - brandgevaar voor vingers en handen.



Alleen voor EU-landen
Als gevolg van de aanwezigheid van schadelijke componenten in het apparaat, kunnen oude elektrische en elektronische apparaten, accu's en batterijen negatieve gevolgen hebben voor het milieu en de gezondheid van mensen.

Gooi elektrische en elektronische apparaten en accu's niet met het huisvuil weg! In overeenstemming met de Europese richtlijn inzake oude elektrische en elektronische apparaten en inzake accu's en batterijen en oude accu's en batterijen, alsmede de toepassing daarvan binnen de nationale wetgeving, dienen oude elektrische apparaten, accu's en batterijen gescheiden te worden opgeslagen en te worden ingeleverd bij een apart inzamelingspunt voor huishoudelijk afval dat de milieubeschermingsvoorschriften in acht neemt.

Dit wordt op het apparaat aangegeven door het symbool van een doorgekruste afvalcontainer.



Gegarandeerd geluidsvermogeniveau conform EU-richtlijn inzake geluidsemisatie buitenhuis.



Geluidsvermogeniveau conform de Regelgeving Geluidsregeling van NSW, Australië

Gebruiksdoeleinden

Het gereedschap is bedoeld voor het snoeien van kleine en grote takken.

Geluidsniveau

De typische, A-gewogen geluidsniveaus zijn gemeten volgens ISO22868(ISO11680-1):

Geluidsdrukniveau (L_{pA}): 92 dB (A)

Geluidsvermogeniveau (L_{WA}): 103 dB (A)

Onzekerheid (K): 3 dB (A)

OPMERKING: De opgegeven geluidsemisiewaarde(n) is/zijn gemeten volgens een standaardtestmethode en kan/kunnen worden gebruikt om dit gereedschap te vergelijken met andere gereedschappen.

OPMERKING: De opgegeven geluidsemisiewaarde(n) kan/kunnen ook worden gebruikt voor een beoordeling vooraf van de blootstelling.

⚠WAARSCHUWING: Draag gehoorbescherming.

⚠WAARSCHUWING: De geluidsemissie tijdens het gebruik van het elektrisch gereedschap in de praktijk kan verschillen van de opgegeven waarde(n) afhankelijk van de manier waarop het gereedschap wordt gebruikt, met name van het soort werkstuk waarmee wordt gewerkt.

⚠WAARSCHUWING: Zorg ervoor dat veiligheidsmaatregelen worden getroffen ter bescherming van de gebruiker die zijn gebaseerd op een schatting van de blootstelling onder praktijkomstandigheden (rekening houdend met alle fasen van de bedrijfscyclus, zoals de tijdsduur gedurende welke het gereedschap is uitgeschakeld en stationair draait, naast de ingeschakelde tijdsduur).

Trilling

Linkerhandgreep (voorhandgreep)		Rechterhandgreep (achterhandgreep)		Toepasselijke norm
ah (m/s ²)	Onzekerheid K (m/s ²)	ah (m/s ²)	Onzekerheid K (m/s ²)	
2,5 of minder	1,5	2,8	1,5	ISO22867(ISO11680-1)

OPMERKING: De totale trillingswaarde(n) is/zijn gemeten volgens een standaardtestmethode en kan/kunnen worden gebruikt om dit gereedschap te vergelijken met andere gereedschappen.

OPMERKING: De opgegeven totale trillingswaarde(n) kan/kunnen ook worden gebruikt voor een beoordeling vooraf van de blootstelling.

⚠WAARSCHUWING: De trillingsemissie tijdens het gebruik van het elektrisch gereedschap in de praktijk kan verschillen van de opgegeven waarde(n) afhankelijk van de manier waarop het gereedschap wordt gebruikt, met name van het soort werkstuk waarmee wordt gewerkt.

⚠WAARSCHUWING: Zorg ervoor dat veiligheidsmaatregelen worden getroffen ter bescherming van de gebruiker die zijn gebaseerd op een schatting van de blootstelling onder praktijkomstandigheden (rekening houdend met alle fasen van de bedrijfscyclus, zoals de tijdsduur gedurende welke het gereedschap is uitgeschakeld en stationair draait, naast de ingeschakelde tijdsduur).

Verklaringen van conformiteit

Alleen voor Europese landen

De verklaringen van conformiteit zijn bijgevoegd in Bijlage A bij deze gebruiksaanwijzing.

VEILIGHEIDSWAARSCHUWINGEN

Algemene veiligheidswaarschuwingen voor elektrisch gereedschap

⚠WAARSCHUWING Lees alle veiligheidswaarschuwingen, instructies, afbeeldingen en technische gegevens die bij dit elektrisch gereedschap worden geleverd. Als niet alle onderstaande instructies worden opgevolgd, kan dat leiden tot een elektrische schok, brand en/of ernstig letsel.

Bewaar alle waarschuwingen en

instructies om in de toekomst te kunnen raadplegen.

De term "elektrisch gereedschap" in de veiligheidsvoorschriften duidt op gereedschappen die op stroom van het lichtnet werken (met snoer) of gereedschappen met een accu (snoerloos).

Veiligheidswaarschuwingen voor een accustoksnoeizaag

Algemene voorzorgsmaatregelen

1. Lees alvorens het gereedschap te starten deze gebruiksaanwijzing om u bekend te maken met de juiste manier van omgaan met het gereedschap.
2. Leen het gereedschap niet uit aan een persoon met onvoldoende ervaring met of kennis van het omgaan met gereedschap.
3. Wanneer u het gereedschap uitleent, geeft u altijd deze gebruiksaanwijzing erbij.
4. Sta niet toe dat kinderen of jonge mensen onder de 18 jaar het gereedschap gebruiken. Houd hen uit de buurt van het gereedschap.
5. Hanteer het gereedschap met de

- hoogstmogelijke zorg en aandacht.
6. Gebruik het gereedschap nooit na het gebruik van alcohol of drugs, of wanneer u zich moe of ziek voelt.
 7. Probeer nooit het gereedschap te wijzigen.
 8. Gebruik het gereedschap niet bij slechte weersomstandigheden, met name wanneer de kans op bliksem bestaat. Dit verkleint de kans om door de bliksem getroffen te worden.
 9. Het gebruik van het gereedschap kan landelijk gereguleerd zijn. Houd u aan de regelgeving zoals die in uw land geldt voor het hantieren van het gereedschap.

Persoonlijke-beschermingsmiddelen

1. Draag een veiligheidshelm, een veiligheidsbril en veiligheidshandschoenen om uzelf te beschermen tegen rondvliegend afval en vallende voorwerpen.
2. Draag gehoorbescherming, zoals oorkappen, om gehoorschade te voorkomen.
3. Draag geschikte kleding en schoenen waarmee veilig kan worden gewerkt, zoals een werkoverall en stevige schoenen met antislipzolen. Draag geen loshangende kleding of sieraden. Loshangende kleding, sieraden en lang haar kunnen verstrikt raken in bewegende delen.
4. Draag altijd veiligheidshandschoenen wanneer u de zaagketting hanteert of de kettingspanning instelt. De zaagketting kan flinke snijwonden veroorzaken in blote handen.

Veiligheid op de werkplek

1. Houd het gereedschap ten minste 15 meter uit de buurt van hoogspanningsleidingen en communicatiekabels (inclusief de boomtakken die ze aanraken). Als u een hoogspanningsleiding nadert of aanraakt met het gereedschap, kan dat leiden tot de dood of ernstig letsel. Kijk of er hoogspanningsleidingen of schrikdraadafasteringen in de buurt van het werkgebied zijn voordat u met de werkzaamheden begint.
2. Bedien het gereedschap alleen bij goed zicht en daglicht. Bedien het gereedschap niet in het donker of in mist.
3. Tijdens het gebruik mag u nooit op een instabiele of gladde ondergrond of op een steile helling staan. Let in de winter op ijs en sneeuw, en zorg er altijd voor dat u stevig staat.
4. Houd tijdens het gebruik omstanders en dieren ten minste 15 meter uit de buurt van het gereedschap. Zet het gereedschap uit zodra iemand dichterbij komt.
5. Als u met twee of meer mensen werkt, houdt u ten minste 15 meter of meer afstand tussen elkaar, en zorg dat een leidinggevende aanwezig is.
6. Onderzoek het werkgebied op draadafasteringen, muren en andere massieve voorwerpen voordat u met de werkzaamheden begint. Zij kunnen de zaagketting beschadigen.

Vorbereidingen

1. Alvorens het gereedschap te monteren of af te stellen, schakelt u het gereedschap uit en verwijdert u de accu.

2. Trek altijd veiligheidshandschoenen aan voordat u de zaagketting hanteert of de kettingspanning instelt.
3. Voordat u het gereedschap start, inspecteert u het gereedschap op beschadigingen, losse bouten/moeren en verkeerde montage. Als de zaagketting bot is, slijpt u hem. Als de zaagketting verbogen of beschadigd is, vervangt u hem. Controleer of alle bedieningshendels en -schakelaars gemakkelijk kunnen worden bediend. Maak de handgrepen schoon en droog.
4. Probeer nooit het gereedschap te starten als het gereedschap beschadigd of niet volledig gemonteerd is. Anders kan ernstig letsel ontstaan.
5. Stel het schouderdraagstel af op de lichaamsgrootte van de gebruiker.
6. Stel de kettingspanning correct in. Vul zo nodig kettingolie bij.

Het gereedschap starten

1. Draag de persoonlijke-beschermingsmiddelen voordat u het gereedschap start.
2. Voordat u het gereedschap start, verzekert u zich ervan dat zich geen personen of dieren binnen het werkgebied bevinden.
3. Wanneer u een accu aanbrengt, houdt u de zaagketting en het zaagblad uit de buurt van uw lichaam en andere voorwerpen, inclusief de grond. De zaagketting kan gaan bewegen bij het starten en kan ernstig letsel of schade aan de zaagketting en/of eigendommen veroorzaken.
4. Plaats het gereedschap op een stevige ondergrond. Zorg ervoor dat u een goede balans hebt en dat u stevig staat.

Bediening

1. In geval van nood zet u het gereedschap onmiddellijk uit.
2. Als u tijdens het gebruik een ongebruikelijke situatie opmerkt (bijvoorbeeld geluid of trillingen), schakelt u het gereedschap uit. Gebruik het gereedschap niet meer totdat de oorzaak is opgespoord en verholpen.
3. De zaagketting blijft gedurende een korte tijd doordraaien nadat het gereedschap is uitgeschakeld. Raak de zaagketting niet onmiddellijk aan.
4. Gebruik tijdens het werk het schouderdraagstel. Houd het gereedschap stevig tegen uw rechterzij.
5. Houd de voorhandgreep met uw linkerhand vast, en houd de achterhandgreep met uw rechterhand vast, ongeacht of u links- of rechtshandig bent. Vouw uw vingers en duimen om de handgrepen.
6. Houd het gereedschap alleen vast aan de geïsoleerde vlakken omdat de zaagketting met verborgen bedrading in aanraking kan komen. Wanneer de zaagketting in aanraking komt met onder spanning staande draden, zullen de niet-geïsoleerde metalen delen van snoeischaar met verlengd bereik onder spanning komen te staan zodat de gebruiker een elektrische schok kan krijgen.

7. **Probeer nooit het apparaat met één hand te bedienen.** Als u de controle over het gereedschap verliest, kan dat leiden tot ernstig of fataal letsel. Om de kans op letsel te verkleinen, houdt u uw handen en voeten uit de buurt van de zaagketting.
 8. **Reik niet te ver.** Zorg altijd voor een stevige stand en goede lichaamsbalans. Kijk uit voor verborgen obstakels, zoals boomstronken, boomwortels en greppels, om te voorkomen dat u valt. Ruim afgevalen takken en andere voorwerpen op.
 9. **Werk nooit op een ladder of in een boom om te voorkomen dat u de controle over het gereedschap verliest.**
 10. **Nadat hard tegen het gereedschap is gestoten of het is gevallen, controleert u de staat ervan voordat u de werkzaamheden hervat.** Als enige beschadiging zichtbaar is of als u twijfelt, vraagt u een erkend Makita-servicecentrum om inspectie en reparatie.
 11. **Raak de kop van het gereedschap niet aan.** De kop van het gereedschap wordt heet tijdens gebruik.
 12. **Neem een pauze om te voorkomen dat u door vermoeidheid de controle over het gereedschap verliest.** Wij adviseren u ieder uur 10 tot 20 minuten te rusten.
 13. **Wanneer u het apparaat achterlaat, al is het maar even, schakelt u altijd het gereedschap uit en verwijdert u de accu.** Het draaiende en onbeheerd gereedschap kan door onbevoegden worden gebruikt en tot een ernstig ongeval leiden.
 14. **Hef tijdens het gebruik van het gereedschap uw rechterhand niet boven schouderhoogte.**
 15. **Stoot tijdens het gebruik de zaagketting nooit tegen harde obstakels, zoals stenen of spijkers.** Wees met name voorzichtig wanneer u takken langs een muur, draadafrastering en dergelijke, afzaagt.
 16. **Als takken verstrikt raken in het gereedschap, schakelt u altijd het gereedschap uit en verwijdert u de accu.** Anders kan door onbedoeld starten ernstig letsel ontstaan.
 17. **Als de zaagketting verstopt raakt, schakelt u altijd het gereedschap uit en verwijdert u de accu voordat u schoonmaakt.**
 18. **Door het toerental van het gereedschap te verhogen terwijl de zaagketting verstopt zit, wordt de belasting hoger en wordt het gereedschap beschadigd.**
 19. **Zorg ervoor dat u een vluchtroute hebt, weg van de vallende tak, voordat u de tak afzaagt.** Ruim eerst alle obstakels op, zoals grote en kleine takken, uit het werkgebied. Verplaats alle gereedschappen en voorwerpen op de vluchtroute naar een veilige plaats.
 20. **Alvorens kleine en grote takken af te zagen, controleert u de valrichting ervan, rekening houdend met de toestand van de kleine en grote takken, naastgelegen bomen, de windrichting, enz.** Let goed op de valrichting en het terug omhoog springen van de tak nadat deze op de grond is gevallen.
 21. **Houd het gereedschap nooit vast onder een**
 - hoek groter dan 60°. Anders kunnen vallende voorwerpen de gebruiker raken en ernstig letsel veroorzaken. Ga nooit onder de tak staan die wordt afgezaagd.
 22. **Let goed op geknakte of gebogen takken.** Zij kunnen terugspringen tijdens het zagen en onverwacht letsel veroorzaken.
 23. **Voordat u de beoogde tak doorzaagt, verwijderd u de takjes en bladeren eromheen.** Als u dat niet doet, kunnen deze in de zaagketting klem komen te zitten.
 24. **Om te voorkomen dat de zaagketting vastloopt in de zaagsnede, mag u de hendel niet loslaten voordat u het gereedschap uit de zaagsnede hebt getrokken.**
 25. **Als de zaagketting in de zaagsnede is vastgelopen, schakelt u onmiddellijk het gereedschap uit, beweegt u voorzichtig de tak om de zaagsnede te openen en bevrijdt u het gereedschap eruit.**
 26. **Vorkom terugslag (roterende reactiekracht in de richting van de gebruiker).** Om terugslag te voorkomen, mag u nooit de punt van het zaagblad gebruiken om een zaagsnede te beginnen. Let altijd goed op de positie van de punt van het zaagblad.
 27. **Controleer de kettingspanning vaak.** Alvorens de kettingspanning te controleren of in te stellen, schakelt u het gereedschap uit en verwijdert u de accu. Als de ketting te los staat, spant u hem.
- ### Trillingen
1. **Blootstelling aan buitensporige trillingen beschadigt de bloedvaten of het zenuwstelsel van de gebruiker en veroorzaakt de volgende symptomen in de vingers, handen of polsen: "Slapen" (gevoelloosheid), tintelen, pijn, stekend gevoel of verandering van huidskleur of de huid.** Als een van deze symptomen zich voordoet, raadpleegt u uw huisarts. Om de kans op "witte-vingerziekte" te verkleinen, houdt u uw handen warm tijdens het werk en onderhoudt u het gereedschap en de accessoires goed. Houd u aan de plaatselijke regelgeving en volg uw dokters advies op voor wat betreft de gebruiksduur.
- ### Vervoeren
1. **Alvorens het gereedschap te vervoeren, zet u het gereedschap uit en verwijdert u de accu.** Plaats altijd de zaagbladschede over het zaagblad wanneer u het gereedschap gaat vervoeren.
 2. **Wanneer u het gereedschap vervoert, draagt u het horizontaal door de handgreep vast te pakken.**
- ### Onderhoud
1. **Laat uw gereedschap onderhouden door ons erkende servicecentrum met gebruikmaking van uitsluitend originele vervangingsonderdelen.** Een verkeerde reparatie of slecht onderhoud kan de levensduur van het gereedschap verkorten en de kans op ongelukken vergroten.
 2. **Alvorens enige onderhouds-, reparatie- of**

reinigingswerkzaamheden uit te voeren aan het gereedschap, schakelt u het gereedschap altijd uit en verwijdert u de accu. Wacht totdat het gereedschap is afgekoeld.

3. Draag altijd veiligheidshandschoenen wanneer u de zaagketting hanteert.
4. Draai na ieder gebruik alle schroeven, bouten en moeren vast, uitgezonderd de stelschroeven.
5. Houd de zaagketting scherp. Als de zaagketting bot is geworden en hij slecht zaagt, vraagt u een erkend Makita-servicecentrum om hem te slijpen of te vervangen door een nieuwe.
6. Probeer geen onderhouds- of reparatiewerkzaamheden uit te voeren die niet in deze gebruiksaanwijzing worden beschreven. Vraag een erkend Makita-servicecentrum om dergelijke werkzaamheden uit te voeren.
7. Gebruik altijd uitsluitend originele vervangingsonderdelen en accessoires van Makita. Als u onderdelen of accessoires van derden gebruikt, kan het gereedschap defect raken, eigendommen worden beschadigd en/of ernstig letsel worden veroorzaakt.

Opbergen

1. Alvorens het gereedschap op te bergen, voert u alle reinigings- en onderhoudswerkzaamheden uit. Plaats de zaagbladschede over het zaagblad. Verwijder de accu. Tap de kettingolie af nadat het gereedschap is afgekoeld.
2. Berg het gereedschap op een droge en hoge of afgesloten plaats op, buiten het bereik van kinderen.
3. Laat het gereedschap nooit ergens tegenaan leunen, zoals tegen een muur. Als u dit doet, kan het plotseling vallen en letsel veroorzaken.

Elektrische veiligheid en accu

1. **Werp de accu('s) niet in een vuur.** De accu kan exploderen. Raadpleeg de lokale regelgeving voor mogelijke speciale verwerkingsvereisten.
2. **Open of vervorm de accu('s) niet.** Het elektrolyt is agressief en kan letsel toebrengen aan de ogen en huid. Het kan giftig zijn bij inslikken.
3. **Laad de accu niet op in de regen of op een natte plaats.**
4. **Laad de accu niet buitenshuis op.**
5. **Raak de lader, inclusief de stekker en de contacten van de lader, niet met natte handen aan.**
6. **Vermijd gevaarlijke omgevingen.** Gebruik het gereedschap niet op vochtige of natte plaatsen en stel het niet bloot aan regen. Als water binnendringt in het gereedschap, wordt de kans op een elektrische schok groter.

BEWAAR DEZE VOORSCHRIFTEN.

⚠WAARSCHUWING: Laat u NIET misleiden door een vals gevoel van comfort en bekendheid met het gereedschap (na veelvuldig gebruik) en neem alle veiligheidsvoorschriften van het betreffende gereedschap altijd strikt in acht. **VERKEERD GEBRUIK** of het niet naleven van de veiligheidsvoorschriften in deze gebruiksaanwijzing kan leiden tot ernstig letsel.

Belangrijke veiligheidsinstructies voor een accu

1. Lees alle voorschriften en waarschuwingen op (1) de acculader, (2) de accu, en (3) het product waarvoor de accu wordt gebruikt, alvorens de accu in gebruik te nemen.
2. Haal de accu niet uit elkaar en saboteer hem niet. Dit kan leiden tot brand, buitensporige hitte of een explosie.
3. **Als de gebruikstijd van een opgeladen accu aanzienlijk korter is geworden, moet u het gebruik ervan onmiddellijk stopzetten.** Voortgezet gebruik kan oververhitting, brandwonden en zelfs een ontploffing veroorzaken.
4. **Als elektrolyt in uw ogen is terechtgekomen, spoelt u uw ogen met schoon water en roept u onmiddellijk de hulp van een dokter in.** Elektrolyt in de ogen kan blindheid veroorzaken.
5. **Vorkom kortsluiting van de accu:**
 - (1) Raak de accuklemmen nooit aan met een geleidend materiaal.
 - (2) Bewaar de accu niet in een bak waarin andere metalen voorwerpen zoals spijkers, munten e.d. worden bewaard.
 - (3) Stel de accu niet bloot aan water of regen. Kortsluiting van de accu kan oorzaak zijn van een grote stroomafgifte, oververhitting, brandwonden, en zelfs defecten.
6. **Bewaar en gebruik het gereedschap en de accu niet op plaatsen waar de temperatuur kan oplopen tot 50 °C of hoger.**
7. **Werp de accu nooit in het vuur, ook niet wanneer hij zwaar beschadigd of volledig versleten is. De accu kan ontploffen in het vuur.**
8. **Laat de accu niet vallen, sla er geen spijker in, snijd er niet in, gooi er niet mee en stoot hem niet tegen een hard voorwerp.** Dergelijke handelingen kunnen leiden tot brand, buitensporige hitte of een explosie.
9. **Gebruik nooit een beschadigde accu.**
10. **De bijgeleverde lithium-ionbatterijen zijn onderhevig aan de vereisten in de wetgeving omtrent gevaarlijke stoffen.**

Voor commercieel transport en dergelijke door derden en transporteurs moeten speciale vereisten ten aanzien van verpakking en etikettering worden nageleefd.

Als voorbereiding van het artikel dat wordt getransporteerd is het noodzakelijk een expert op het gebied van gevaarlijke stoffen te raadplegen. Houd u tevens aan mogelijk strengere nationale regelgeving.

Blootliggende contactpunten moeten worden

afgedekt met tape en de accu moet zodanig worden verpakt dat deze niet kan bewegen in de verpakking.

11. **Wanneer u de accu wilt weggooien, verwijdert u de accu vanaf het gereedschap en gooit u hem op een veilige manier weg. Volg bij het weggooien van de accu de plaatselijke voorschriften.**
12. **Gebruik de accu's uitsluitend met de gereedschappen die door Makita zijn aanbevolen.** Als de accu's worden aangebracht in niet-compatibele gereedschappen, kan dat leiden tot brand, buitensporige warmteontwikkeling, een explosie of lekkage van elektrolyt.
13. **Als u het gereedschap gedurende een lange tijd niet denkt te gaan gebruiken, moet de accu vanaf het gereedschap worden verwijderd.**
14. **Tijdens en na gebruik, kan de accu heet worden waardoor brandwonden of koude brandwonden kunnen worden veroorzaakt. Wees voorzichtig bij het hanteren van een hete accu.**
15. **Raak de aansluitpunten van het gereedschap niet onmiddellijk na gebruik aan omdat deze heet genoeg kunnen zijn om brandwonden te veroorzaken.**
16. **Zorg ervoor dat geen steenslag, stof of grond vast komt te zitten op/in de aansluitpunten, openingen en groeven van de accu.** Hierdoor kan oververhitting, brand, een barst en een storing in het gereedschap of de accu ontstaan waardoor brandwonden of persoonlijk letsel kunnen ontstaan.
17. **Behalve indien gebruik van het gereedschap is toegestaan in de buurt van**

hoogspanningsleidingen, mag u de accu niet gebruiken in de buurt van een hoogspanningsleiding. Dit kan leiden tot een storing of een defect van het gereedschap of de accu.

18. **Houd de accu uit de buurt van kinderen.**

BEWAAR DEZE INSTRUCTIES.

⚠ LET OP: Gebruik uitsluitend originele Makita accu's. Het gebruik van niet-originele accu's, of accu's die zijn gewijzigd, kan ertoe leiden dat de accu ontploft en brand, persoonlijk letsel en schade veroorzaakt. Ook vervalt daarmee de garantie van Makita op het gereedschap en de lader van Makita.

Tips voor een maximale levensduur van de accu

1. **Laad de accu op voordat hij volledig ontladen is. Stop het gebruik van het gereedschap en laad de accu op telkens wanneer u vaststelt dat het vermogen van het gereedschap is afgenomen.**
2. **Laad een volledig opgeladen accu nooit opnieuw op. Te lang opladen verkort de levensduur van de accu.**
3. **Laad de accu op bij een omgevingstemperatuur tussen 10 °C en 40 °C. Laat een warme accu afkoelen alvorens hem op te laden.**
4. **Als de accu niet wordt gebruikt, verwijdert u hem vanaf het gereedschap of de lader.**
5. **Laad de accu op als u deze gedurende een lange tijd (meer dan zes maanden) niet gaat gebruiken.**

BESCHRIJVING VAN DE ONDERDELEN

► Fig.1

1	Bedrijfslampje	2	Functie-indicator	3	Hoofdschakelaar
4	Bevestigingsoog	5	Uit-vergrendelknop	6	Accu
7	Trekkerschakelaar	8	Achterhandgreep	9	Zaagketting
10	Zaagblad	11	Olietankdop	12	Vergrendelring
13	Bevestigingsmoer	14	Stelschroef voor de zaagketting	15	Zaagbladschede
16	Voorhandgreep	-	-	-	-

BESCHRIJVING VAN DE FUNCTIES

⚠ LET OP: Zorg altijd dat het gereedschap is uitgeschakeld en de accu ervan is verwijderd alvorens de functies op het gereedschap af te stellen of te controleren.

De accu aanbrengen en verwijderen

⚠ LET OP: Schakel het gereedschap altijd uit voordat u de accu aanbrengt of verwijdert.

⚠ LET OP: Houd het gereedschap en de accu stevig vast tijdens het aanbrengen of verwijderen van de accu. Als u het gereedschap en de accu niet stevig vasthoudt, kunnen deze uit uw handen glijpen en het gereedschap of de accu beschadigen, of kan persoonlijk letsel worden veroorzaakt.

Om de accu aan te brengen lijnt u de lip op de accu uit met de groef in de behuizing en duwt u de accu op zijn plaats. Steek de accu zo ver mogelijk in het

gereedschap tot u een klikgeluid hoort. Wanneer het rode deel zichtbaar is, zoals aangegeven in de afbeelding, is de accu niet geheel vergrendeld.

Om de accu te verwijderen verschuift u de knop aan de voorkant van de accu en schuift u tegelijkertijd de accu uit het gereedschap.

► **Fig.2:** 1. Rood deel 2. Knop 3. Accu

⚠ LET OP: Breng de accu altijd helemaal aan totdat het rode deel niet meer zichtbaar is. Als u dit niet doet, kan de accu per ongeluk uit het gereedschap vallen en u of anderen in uw omgeving verwonden.

⚠ LET OP: Breng de accu niet met kracht aan. Als de accu niet gemakkelijk in het gereedschap kan worden geschoven, wordt deze niet goed aangebracht.

De resterende acculading controleren

Alleen voor accu's met indicatorlampjes

Druk op de testknop op de accu om de resterende acculading te zien. De indicatorlampjes branden gedurende enkele seconden.

► **Fig.3:** 1. Indicatorlampjes 2. Testknop

Indicatorlampjes			Resterende acculading
Brandt	Uit	Knippert	
■	□	▧	75% tot 100%
■	■	■	50% tot 75%
■	■	□	25% tot 50%
■	□	□	0% tot 25%
▧	□	□	Laad de accu op.
■	■	□	Er kan een storing zijn opgetreden in de accu.
□	□	■	

OPMERKING: Afhankelijk van de gebruiksomstandigheden en de omgevingstemperatuur, is het mogelijk dat de aangegeven acculading verschilt van de werkelijke acculading.

OPMERKING: Het eerste (meest linker) indicatorlampje knippert wanneer het accubeveiligingssysteem in werking is getreden.

Gereedschap-/accubeveiligingssysteem

Het gereedschap is voorzien van een gereedschap-/accubeveiligingssysteem. Dit systeem schakelt automatisch de voeding naar de motor uit om de levensduur van het gereedschap en de accu te verlengen. Het

gereedschap kan tijdens het gebruik automatisch stoppen als het gereedschap of de accu aan één van de volgende omstandigheden wordt blootgesteld:

Overbelastingsbeveiliging

Als de accu wordt gebruikt op een manier waardoor een abnormaal hoge stroom wordt getrokken, stopt het gereedschap automatisch en knippert het bedrijfslampje groen. In dat geval schakelt u het gereedschap uit en stopt u met het gebruik waardoor het gereedschap overbelast raakte. Schakel daarna het gereedschap in om verder te gaan.

Oververhittingsbeveiliging

Wanneer het gereedschap of de accu oververhit is, stopt het gereedschap automatisch en gaat het bedrijfslampje rood branden. In dat geval laat u het gereedschap en de accu afkoelen voordat u het gereedschap opnieuw inschakelt.

OPMERKING: In een omgeving met een hoge temperatuur treedt de oververhittingsbeveiliging sneller in werking waardoor het gereedschap automatisch stopt.

Beveiliging tegen te ver ontladen

Als de acculading onvoldoende is, stopt het gereedschap automatisch en knippert het bedrijfslampje rood. In dat geval verwijdert u de accu vanaf het gereedschap en laadt u de accu op.

Hoofdschakelaar

⚠ WAARSCHUWING: Zet altijd de hoofdschakelaar uit indien niet in gebruik.

Om het gereedschap in te schakelen, drukt u op de hoofdschakelaar totdat het bedrijfslampje groen brandt. Om uit te schakelen, drukt u opnieuw op de hoofdschakelaar.

► **Fig.4:** 1. Bedrijfslampje 2. Functie-indicator 3. Hoofdschakelaar

OPMERKING: Het bedrijfslampje knippert groen wanneer u de hoofdschakelaar inschakelt terwijl u de uit-vergrendelknop ingedrukt en de trekkerschakelaar ingeknepen houdt. Laat in dit geval de trekkerschakelaar en de uit-vergrendelknop los, en schakel daarna de hoofdschakelaar in.

OPMERKING: Dit gereedschap maakt gebruik van de automatische uitschakelfunctie. Om onbedoeld starten te voorkomen, wordt de hoofdschakelaar automatisch uitgeschakeld wanneer de trekkerschakelaar niet is ingeknepen gedurende een bepaalde tijdsduur nadat de hoofdschakelaar is ingeschakeld.

U kunt het gereedschap gebruiken in de koppelboostfunctie voor het zagen van dikke of harde takken. Om het gereedschap in de koppelboostfunctie te gebruiken, drukt u, terwijl het gereedschap is uitgeschakeld, gedurende enkele seconden op de hoofdschakelaar totdat de functie-indicator groen brandt.

OPMERKING: In de koppelboostfunctie kunt u het gereedschap gedurende 60 seconden gebruiken. Afhankelijk van de gebruiksomstandigheden, kan deze functie omschakelen naar de normale functie in minder dan 60 seconden.

OPMERKING: Als de functie-indicator groen knippert wanneer u gedurende enkele seconden op de hoofdschakelaar drukt, is de koppelboostfunctie niet beschikbaar. Volg in dat geval de onderstaande stappen.

- De koppelboostfunctie is niet beschikbaar onmiddellijk na het zagen. Wacht langer dan 10 seconden en druk daarna opnieuw gedurende enkele seconden op de hoofdschakelaar.
- Als u de koppelboostfunctie meerdere keren gebruikt, wordt het gebruik van de koppelboostfunctie beperkt om de accu te beschermen. Als de koppelboostfunctie niet beschikbaar is nadat u langer dan 10 seconden hebt gewacht, vervangt u de accu door een volledig opgeladen accu, of laadt u de accu op.

OPMERKING: Als het bedrijfslampje rood brandt, of rood of groen knippert, raadpleegt u de instructies voor het gereedschap-/accu beveiligingssysteem.

De trekkerschakelaar gebruiken

⚠ WAARSCHUWING: Voor uw veiligheid is dit gereedschap uitgerust met een uit-vergrendelknop die voorkomt dat het gereedschap onbedoeld start. Gebruik het gereedschap NOOIT wanneer het start door alleen de trekkerschakelaar in te knippen zonder de uit-vergrendelknop in te drukken. Stuur het gereedschap naar ons erkende servicecentrum voor deugdelijke reparatie ZONDER het verder te gebruiken.

⚠ WAARSCHUWING: U mag NOOIT het doel of de werking van de uit-vergrendelknop teniet doen of deze vastplakken.

⚠ LET OP: Alvorens de accu in het gereedschap te plaatsen, moet u altijd controleren of de trekkerschakelaar goed werkt en bij het loslaten terugkeert naar de stand "OFF".

KENNISGEVING: Knijp de trekkerschakelaar niet hard in zonder de uit-vergrendelknop in te drukken. Hierdoor kan de schakelaar kapot gaan.

Om te voorkomen dat de trekkerschakelaar per ongeluk wordt bediend, is een uit-vergrendelknop aangebracht. Om het gereedschap te starten, houdt u de uit-vergrendelknop ingedrukt en knijpt u de trekkerschakelaar in. De snelheid van het gereedschap neemt toe naarmate u meer druk uitoefent op de trekkerschakelaar. Laat de trekkerschakelaar los om te stoppen.

► **Fig.5:** 1. Trekkerschakelaar 2. Uit-vergrendelknop

De buislengte afstellen

Om de buis in of uit te schuiven, draait u de vergrendeling los door hem linksom te draaien, stelt u de lengte van de buis af, en draait u de vergrendeling weer vast door hem rechtsom te draaien.

► **Fig.6:** 1. Vergrendeling 2. Buis

Elektronische functies

Het gereedschap is uitgerust met elektronische functies voor een eenvoudige bediening.

- Constant-toerentalregeling
De toerentalregelfunctie zorgt voor een constant toerental ongeacht de belastingsomstandigheden.

MONTAGE

⚠ LET OP: Zorg altijd dat het gereedschap is uitgeschakeld en de accu ervan is verwijderd alvorens enig werk aan het gereedschap uit te voeren.

⚠ LET OP: Raak de zaagketting niet met blote handen aan. Draag altijd handschoenen wanneer u de zaagketting hanteert.

Het gereedschap monteren

1. Verwijder 2 doppen vanaf de buis en 1 dop vanaf de kop van het gereedschap.
► **Fig.7:** 1. Dop 2. Buis 3. Kop van het gereedschap
2. Draai 3 bouten los en verwijder daarna 1 bout met behulp van de inbus sleutel.
► **Fig.8:** 1. Bout
3. Steek de buis zo ver mogelijk in het gereedschapshuis en lijn het gat in de buis uit met het gat in het gereedschapshuis.
► **Fig.9:** 1. Gat 2. Buis
4. Draai 3 bouten vast met behulp van de inbus sleutel.
► **Fig.10:** 1. Bout
5. Draai 2 bouten los en verwijder daarna 1 bout.
► **Fig.11:** 1. Bout
6. Draai de vergrendeling los door hem linksom te draaien, schuif de buis ongeveer 10 cm of meer uit, en draai de vergrendeling weer vast door hem rechtsom te draaien.
► **Fig.12:** 1. Vergrendeling 2. 10 cm of meer 3. Buis
7. Steek de buis zo ver mogelijk in de kop van het gereedschap en lijn het gat in de buis uit met het gat in de kop van het gereedschap.
► **Fig.13:** 1. Gat 2. Buis
8. Draai 2 bouten vast met behulp van de inbus sleutel.
► **Fig.14:** 1. Bout

De zaagketting aanbrengen of verwijderen

⚠ LET OP: De zaagketting en het zaagblad zijn kort na gebruik nog heet. Laat ze eerst afkoelen, voordat u enige werkzaamheden aan het gereedschap uitvoert.

⚠ LET OP: Voer de procedure voor het aanbrengen of verwijderen van de zaagketting uit in een schone omgeving, vrij van zaagsel en dergelijke.

Om de zaagketting te verwijderen, gaat u als volgt te werk:

1. Draai de stelschroef voor de zaagketting los en draai daarna de bevestigingsmoer los.

► **Fig.15:** 1. Stelschroef voor de zaagketting
2. Bevestigingsmoer

2. Verwijder de afdekking van het kettingwiel en verwijder daarna de zaagketting en het zaagblad vanaf het gereedschapshuis.

Om de zaagketting aan te brengen, gaat u als volgt te werk:

1. Controleer de richting van de zaagketting. Zorg ervoor dat de richting van de zaagketting hetzelfde is als die van de markering op het gereedschapshuis.

2. Leg één kant van de zaagketting op de bovenkant van het zaagblad. Leg het andere uiteinde van de zaagketting rond het kettingwiel. Verzeker u ervan dat de zaagketting goed om het kettingwiel ligt en goed in de groef van het zaagblad ligt.

3. Bevestig het zaagblad aan het gereedschapshuis, lijn het gat in het zaagblad uit met de pen op het gereedschapshuis.

► **Fig.16:** 1. Kettingwiel 2. Gat

4. Steek het uitsteeksel op de afdekking van het kettingwiel in het gereedschapshuis, en sluit daarna de afdekking zodat de bout en pen op het gereedschapshuis op hun plaats in de afdekking vallen.

► **Fig.17:** 1. Uitsteeksel 2. Afdekking van het kettingwiel 3. Bout 4. Pen

5. Draai de bevestigingsmoer vast om de afdekking van het kettingwiel vast te zetten, en draai hem daarna iets los om de spanning te kunnen afstellen.

► **Fig.18:** 1. Bevestigingsmoer

De kettingspanning afstellen

⚠ LET OP: Span de zaagketting niet te strak. Bij een buitensporig hoge spanning op de zaagketting kan de zaagketting breken en het zaagblad slijten.

⚠ LET OP: Een zaagketting die te los zit kan van het zaagblad af springen en een ongeluk met letsel veroorzaken.

De zaagketting kan na vele gebruiksuren los gaan zitten. Controleer regelmatig de kettingspanning vóór gebruik.

1. Draai de bevestigingsmoer iets los om de afdekking van het kettingwiel iets los te maken.

► **Fig.19:** 1. Bevestigingsmoer

2. Til het uiteinde van het zaagblad iets omhoog en stel de kettingspanning af. Draai de stelschroef voor de zaagketting linksom om de zaagketting strakker te zetten en rechtsom om hem losser te zetten.

Zet de zaagketting strakker totdat de onderkant van de zaagketting in de zaagbladrail past zoals afgebeeld.

► **Fig.20:** 1. Zaagblad 2. Zaagketting 3. Stelschroef voor de zaagketting

3. Houd het zaagblad licht vast en bevestig de afdekking van het kettingwiel.

Zorg ervoor dat de zaagketting aan de onderrand van het zaagblad niet los hangt.

4. Draai de bevestigingsmoer vast om de afdekking van het kettingwiel vast te maken.

► **Fig.21:** 1. Bevestigingsmoer

Het gebogen hulpstuk aanbrengen en verwijderen

Optioneel accessoire

⚠ LET OP: Voordat u het gebogen hulpstuk aanbrengt of verwijdert, brengt u eerst de zaagbladschede aan op het gereedschap.

U kunt de hoek van de gereedschapskop veranderen door het gebogen hulpstuk op het gereedschap te bevestigen.

1. Draai de vergrendelring los door hem linksom te draaien, schuif de buis ongeveer 10 cm of meer uit, en draai de vergrendelring weer vast door hem rechtsom te draaien.

► **Fig.22:** 1. 10 cm of meer 2. Vergrendelring 3. Buis

2. Draai de 2 bouten los met de inbussleutel en verwijder de pijp vanaf de gereedschapskop.

► **Fig.23:** 1. Bout

3. Verwijder de doppen vanaf het gebogen hulpstuk.

► **Fig.24:** 1. Dop

4. Lijn het gat in de pijp uit met dat in het hulpstuk en steek vervolgens de pijp in het hulpstuk.

► **Fig.25:** 1. Gat 2. Bout 3. Buis

5. Draai 2 bouten erin om het hulpstuk te bevestigen.

► **Fig.26:** 1. Bout

6. Bevestig de gereedschapskop aan het hulpstuk.

Om de gereedschapskop verticaal te bevestigen, bevestigt u het hulpstuk door de bout in het gat van het hulpstuk vast te draaien zoals aangegeven in de afbeelding, en vervolgens de andere bout vast te draaien.

► **Fig.27:** 1. Bout 2. Gat

Om de gereedschapskop horizontaal te bevestigen, bevestigt u het hulpstuk door de bout in het gat van het hulpstuk vast te draaien zoals aangegeven in de afbeelding, en vervolgens de andere bout vast te draaien.

► **Fig.28:** 1. Bout 2. Gat

Om het gebogen hulpstuk te verwijderen, volgt u de procedure voor het aanbrengen in de omgekeerde volgorde.

BEDIENING

Smering

KENNISGEVING: Wanneer u voor het eerst kettingolie bijvult, of de olietank bijvult nadat deze geheel leeg is geraakt, vult u olie bij tot aan de onderrand van de vulnek. Anders kan de olietoevoer gehinderd worden.

KENNISGEVING: Gebruik zaagkettingolie exclusief voor Makita-kettingzagen of een in de winkel verkrijgbare gelijkwaardige kettingolie.

KENNISGEVING: Gebruik nooit olie die is verontreinigd met vuil- en stofdeeltjes of vluchtige olie.

KENNISGEVING: Gebruik botanische olie voor het snoeien van bomen. Minerale olie kan schadelijk zijn voor bomen.

KENNISGEVING: Voordat u begint te zagen, controleert u of de bijgeleverde olietankdop erop is gedraaid.

De zaagketting wordt automatisch gesmeerd tijdens het gebruik van het gereedschap. Controleer regelmatig hoeveel olie er nog in de olietank zit.

► **Fig.29:** 1. Olietank

Om de tank weer te vullen, legt u het gereedschap op een horizontale ondergrond, duwt u op de knop van de olietankdop zodat de knop aan de ander kant omhoog gaat staan, en verwijdert u de olietankdop door deze te draaien.

De correcte hoeveelheid olie is 160 ml. Draai na het bijvullen van de olietank altijd de olietankdop stevig erop.

► **Fig.30:** 1. Olietankdop 2. Vastdraaien 3. Losdraaien

OPMERKING: Als het moeilijk is om de olietankdop te verwijderen, steekt u de pijpsleutel in de gleuf van de olietankdop en verwijdert u de olietankdop door hem linksom te draaien.

► **Fig.31:** 1. Gleuf 2. Pijpsleutel

Houd na het bijvullen het gereedschap uit de buurt van de boom. Start hem en wacht tot de zaagketting voldoende gesmeerd is.

► **Fig.32**

Het schouderdraagstel bevestigen

⚠️ LET OP: Wanneer u het gereedschap in combinatie met de ruggedragen voeding, zoals de draagbare voedingseenheid, gebruikt, gebruikt u het schouderdraagstel dat bij het gereedschap werd geleverd niet, maar gebruikt u de draagband die wordt aanbevolen door Makita.

Als u het schouderdraagstel dat bij het gereedschap werd geleverd en het schouderdraagstel van de ruggedragen voedingseenheid tegelijkertijd aantrekt, is het lastig om het gereedschap of de ruggedragen voedingseenheid te verwijderen in geval van nood, waardoor een ongeval of letsel kan ontstaan. Vraag een erkend Makita-servicecentrum naar de aanbevolen draagband.

⚠️ LET OP: Gebruik altijd het schouderdraagstel bevestigd aan het gereedschap. Stel voor gebruik het schouderdraagstel af op de lichaamsgrootte van de gebruiker om vermoeidheid te voorkomen.

⚠️ LET OP: Verzeker u er voor gebruik van dat het schouderdraagstel goed is bevestigd aan het bevestigingssoog van het gereedschap.

⚠️ LET OP: Verzeker u er vóór het gebruik van dat de gesp van het schouderdraagstel stevig is vergrendeld.

⚠️ LET OP: Gebruik altijd het schouderdraagstel dat bij dit gereedschap hoort. Gebruik geen ander schouderdraagstel.

1. Trek het schouderdraagstel aan en maak de gesp vast.

► **Fig.33:** 1. Gesp

OPMERKING: Als u het schouderdraagstel af wilt doen, ontgrendelt u de gesp en verwijdert u het schouderdraagstel.

2. Stel het schouderdraagstel af op een comfortabele werkhouding.

► **Fig.34**

3. Maak de haak van het schouderdraagstel vast aan het bevestigingssoog van het gereedschap.

► **Fig.35:** 1. Haak 2. Bevestigingssoog

Het schouderdraagstel is voorzien van een snelontgrendelingsmethode. Knijp eenvoudigweg de zijkant van de gesp in om het schouderdraagstel los te maken.

► **Fig.36:** 1. Gesp

Werken met het gereedschap

⚠ LET OP: Houd alle delen van uw lichaam uit de buurt van de zaagketting wanneer de motor draait.

⚠ LET OP: Houd het gereedschap stevig vast met beide handen wanneer de motor draait.

⚠ LET OP: Reik niet te ver. Zorg ervoor dat u altijd stevige steun voor de voeten hebt en uw evenwicht behoudt.

⚠ LET OP: Wees voorzichtig wanneer u takken doorzaagt dat u niet uw evenwicht verliest als gevolg van het gewicht van de gereedschapshoofd.

⚠ LET OP: Zorg altijd voor een vluchtroute voor het geval een afgezaagde tak in de richting van de gebruiker valt.

⚠ LET OP: Gebruik nooit de punt van het zaagblad voor het zagen. Anders kan gevaarlijke terugslag optreden, en kan dat leiden tot persoonlijk letsel.

KENNISGEVING: Gooi nooit met het gereedschap en laat het niet vallen.

KENNISGEVING: Dek de luchtuitstroomopeningen van het gereedschap niet af.

KENNISGEVING: Forceer het gereedschap niet. Anders kan het gereedschap worden beschadigd.

Sta op een stabiele ondergrond en houd het gereedschap uit de buurt van de takken zodat de hoek van het gereedschap 60° of minder is ten opzichte van de horizontale grond.

► **Fig.37:** 1. 60° of minder

Start het gereedschap en duw zaagketting zachtjes in de tak.

Als u lange takken afzaagt, kunt u de valplek van de afgezaagde tak controleren door de tak op te delen in stukken en vanaf het uiteinde in delen af te zagen. Let op de vallende takken aangezien deze kunnen terugspringen in de richting van de gebruiker nadat ze de grond hebben geraakt.

► **Fig.38**

Als u dikke takken doorzaagt, maakt u eerst een ondiepe zaagsnede aan de onderkant en maakt u vervolgens de definitieve zaagsnede vanaf de bovenkant.

► **Fig.39**

Als u een dikke tak vanaf de onderkant probeert door te zagen, kan de tak tijdens het zagen doorbuigen en de zaagketting beknellen. Als u een dikke tak vanaf de bovenkant probeert door te zagen zonder een ondiepe snede aan de onderkant, kan de tak splinteren.

► **Fig.40**

Het gereedschap dragen

Alvorens het gereedschap te dragen, verwijdert u de accu's vanaf het gereedschap, brengt u de zaagbladschede aan en schuift u de buis in. Plaats ook het accudeksel op de accu.

► **Fig.41:** 1. Zaagbladschede 2. Accudeksel

Het gereedschap gebruiken met een draagbare voedingseenheid

Optioneel accessoire

Gebruik de draagband wanneer u het gereedschap gebruikt met een draagbare voedingseenheid.

De draagriem bevestigen

1. Bevestig de haken van de draagriem aan de ringen van het schouderdraagstel of de heupgordel, zoals aangegeven in de afbeelding. Selecteer het type riem en de bevestigingsmethode die geschikt is voor uw toepassing.

► **Fig.42:** 1. Ring 2. Haak

► **Fig.43:** 1. Ring 2. Haak

2. Bevestig de haak aan het gereedschap.

► **Fig.44:** 1. Haak

Het gereedschap loskoppelen

Wanneer u het gereedschap neerlegt, ontgrendelt u de gesp van de draagband met één hand terwijl u het gereedschap vasthoudt met de andere hand.

► **Fig.45:** 1. Gesp

OPMERKING: De gesp wordt mogelijk niet bijgeleverd, afhankelijk van het type riem.

Als u het gereedschap snel wilt loskoppelen, volgt u de onderstaande stappen.

1. Knijp de hendels van de gesp van de heupgordel in om de gesp los te koppelen.

► **Fig.46:** 1. Gesp 2. Hendel

2. Trek het schouderdraagstel uit om het gereedschap en de eenheid te verwijderen.

► **Fig.47:** 1. Schouderdraagstel

ONDERHOUD

⚠ LET OP: Zorg altijd dat het gereedschap is uitgeschakeld en de accu ervan is verwijderd alvorens te beginnen met onderhoud of inspectie.

⚠ LET OP: Draag bij inspectie- of onderhoudswerkzaamheden altijd handschoenen.

KENNISGEVING: Gebruik nooit benzine, wasbenzine, thinner, alcohol en dergelijke. Hierdoor kunnen verkleuring, vervormingen en barsten worden veroorzaakt.

Om de VEILIGHEID en BETROUWBAARHEID van het gereedschap te handhaven, dienen alle reparaties, onderhoud of afstellingen te worden uitgevoerd bij een erkend Makita-servicecentrum of de Makita-fabriek, en altijd met gebruik van Makita-ervangingsonderdelen.

De zaagketting slijpen

Slijp de zaagketting als:

- Poederachtig zaagsel wordt geproduceerd tijdens

het zagen van vochtig hout;

- De zaagketting moeizaam in het hout binnendringt, zelfs wanneer hoge druk wordt uitgeoefend;
- De zaagsnijrand duidelijk beschadigd is;
- De kettingzaag naar links of rechts trekt in het hout. (veroorzaakt door een ongelijkmatige scherpte van de zaagketting, of een beschadiging aan slechts een kant)

Slijp de zaagketting veelvuldig, maar iedere keer slechts weinig. Twee of drie bewegingen met een vijl zijn doorgaans voldoende voor regelmatig bijslijpen. Als de zaagketting meerdere malen is bijgeslepen, laat u deze een keer slijpen door een in ons erkende servicecentrum.

Criteria bij het slijpen:

⚠ WAARSCHUWING: Een buitensporige afstand tussen de zaagsnijrand en de dieptevoeler vergroot de kans op terugslag.

- **Fig.48:** 1. Lengte van het mes 2. Afstand tussen de zaagsnijrand en de dieptevoeler 3. Minimumlengte van het mes (3 mm)
- Alle messen moeten gelijk van lengte zijn. Door een verschillende lengten van messen kan de zaagketting niet gelijkmatig lopen en kan de zaagketting breken.
 - Slijp de zaagketting niet verder als de lengte van de messen 3 mm of korter is. De zaagketting moet worden vervangen door een nieuwe.
 - De dikte van spaanders wordt bepaald door de afstand tussen de zaagsnijrand en de dieptevoeler (ronde neus).
 - De beste zaagresultaten verkrijgt u met de volgende afstand tussen de zaagsnijrand en de dieptevoeler.
 - Kettingmes 90PX / 91PX / M41 / M43: 0,65 mm
- **Fig.49**
- De slijphoek van 30° moet voor alle messen gelijk zijn. Bij verschillende slijphoeken zal de zaagketting ruw en ongelijkmatig lopen, de slijtage toemenen en de zaagketting kunnen breken.
 - Gebruik een geschikte ronde vijl tegen de tanden zodat een correcte slijphoek behouden blijft.
 - Kettingmes 90PX / 91PX / M41 / M43: 55°
- #### Vijl en vijlbeweging
- Gebruik een speciale ronde zaagkettingvijl (optioneel accessoire) voor het slijpen van de ketting. Een gewone ronde vijl is niet geschikt.
 - De doorsnede van de ronde vijl voor elke zaagketting is als volgt:
 - Kettingmes 90PX: 4,5 mm
 - Kettingmes 91PX / M41/ M43: 4,0 mm
 - De vijl mag het mes alleen in voorwaartse richting raken. Haal de vijl van het mes voor de terugwaartse beweging.
 - Slijp eerst het kortste mes. De lengte van dit mes wordt dan de maatstaf voor alle andere messen op de zaagketting.
 - Beweeg de vijl zoals aangegeven in de afbeelding.

► Fig.50: 1. Vijl 2. Zaagketting

- De vijl kan gemakkelijker worden bewogen als een vijlhouder (optioneel accessoire) wordt gebruikt. Op de vijlhouder staan merktekens voor de juiste slijphoek van 30° (lijn de merktekens parallel uit met de zaagketting) en beperkt de diepte waartoe de vijl doordringt (tot 4/5 van de vijldiameter).

► Fig.51: 1. Vijlhouder

- Nadat de zaagketting is geslepen, controleert u de hoogte van de dieptevoeler met behulp van het kettingmeetgereedschap (optioneel accessoire).

► Fig.52

- Verwijder eventueel uitstekend materiaal, ongeacht hoe klein, met een speciale vlakke vijl (optioneel accessoire).
- Maak de voorkant van de dieptevoeler weer rond.

Het zaagblad schoonmaken

Spaanders en zaagsel zullen zich in de groef van het zaagblad ophopen. Deze kunnen de groef verstoppen en de oliestroom belemmeren. Verwijder de spaanders en het zaagsel elke keer wanneer u de zaagketting slijpt of vervangt.

► Fig.53

De afdekking van het kettingwiel schoonmaken

Spaanders en zaagsel zullen zich binnenin de afdekking van het kettingwiel ophopen. Verwijder de afdekking van het kettingwiel en de zaagketting vanaf het gereedschap, en verwijder vervolgens de spaanders en het zaagsel.

► Fig.54

De olie-uitstroomopening schoonmaken

Kleine vuil- of stofdeeltjes kunnen zich tijdens gebruik ophopen in de olie-uitstroomopening. Deze vuil- of stofdeeltjes kunnen het uitstromen van de olie belemmeren waardoor de hele zaagketting onvoldoende wordt gesmeerd. Wanneer onvoldoende toevoer van kettinolie optreedt aan het uiteinde van het zaagblad, maakt u de olie-uitstroomopening als volgt schoon.

1. Verwijder de afdekking van het kettingwiel en de zaagketting vanaf het gereedschap.

2. Verwijder de kleine vuil- of stofdeeltjes met een platkopschroevendraaier of iets dergelijks.

► **Fig.55:** 1. Platkopschroevendraaier
2. Olie-uitstroomopening

3. Plaats de accu in het gereedschap. Knijp de trekverschakelaar in om opgehoopte vuil- en stofdeeltjes uit de olie-uitstroomopening te persen door kettinolie eruit te laten stromen.

4. Verwijder de accu van het gereedschap. Monteer de afdekking van het kettingwiel en de zaagketting weer op het gereedschap.

Het kettingwiel vervangen

⚠ LET OP: Een versleten kettingwiel zal de nieuwe zaagketting beschadigen. Laat in dat geval het kettingwiel vervangen.

Controleer de staat van het kettingwiel voordat u een nieuwe zaagketting monteert. Als het kettingwiel versleten of beschadigd is, vraagt u een erkend Makita-servicecentrum hem te vervangen.

► **Fig.56:** 1. Kettingwiel 2. Plaatsen die slijten

Het gereedschap opbergen

1. Maak het gereedschap schoon voordat u het opbergt. Haal de afdekking van het kettingwiel eraf en verwijder alle spaanders en zaagsel vanaf het gereedschap.
2. Laat na het schoonmaken het gereedschap onbelast draaien om de zaagketting en het zaagblad te smeren.
3. Plaats de zaagbladschede over het zaagblad en schuif daarna de buis in.
4. Maak de olietank leeg.

Instructies voor periodiek onderhoud

Om zeker te zijn van een lange levensduur, om schade te voorkomen en om zeker te zijn van de volledige werking van de veiligheidsvoorzieningen, moet het volgende onderhoud regelmatig worden uitgevoerd. Garantieclaims kunnen alleen worden geaccepteerd als deze werkzaamheden regelmatig en correct worden uitgevoerd. Als deze voorgeschreven onderhoudswerkzaamheden niet worden uitgevoerd, kan dat ongelukken veroorzaken! De gebruiker van het gereedschap mag echter geen werkzaamheden uitvoeren die niet worden beschreven in de gebruiksaanwijzing. Dergelijke werkzaamheden moeten worden uitgevoerd door ons erkende servicecentrum.

Controlepunt / Bedrijfstijd		Vóór het gebruik	Elke dag	Elke week	Elke 3 maanden	Jaarlijks	Vóór opbergen
Gehele gereedschap	Inspecteren.	✓	-	-	-	-	-
	Schoonmaken.	-	✓	-	-	-	-
	Laten controleren door een erkend servicecentrum.	-	-	-	-	✓	✓
Zaagketting	Inspecteren.	✓	-	-	-	-	-
	Slijpen indien nodig.	-	-	-	-	-	✓
Zaagblad	Inspecteren.	✓	✓	-	-	-	-
	Verwijderen vanaf het gereedschap.	-	-	-	-	-	✓
Kettingsmering	Controleren van de olietoevoersnelheid.	✓	-	-	-	-	-
Trekkerschakelaar	Inspecteren.	✓	-	-	-	-	-
Uit-vergrendelknop	Inspecteren.	✓	-	-	-	-	-
Olietankdop	Controleren op vastzitten.	✓	-	-	-	-	-
Bouten en moeren	Inspecteren.	-	-	✓	-	-	-

PROBLEEMEN OPLOSSEN

Alvorens u verzoekt om reparatie, kunt u zelf als volgt het probleem opsporen en oplossen. Als u met een probleem kampt dat in deze handleiding niet wordt beschreven, probeer dan niet het gereedschap te demonteren. Laat reparaties over aan een erkend Makita-servicecentrum, uitsluitend met gebruik van originele Makita-vervangingsonderdelen.

Symptoom of storing	Oorzaak	Handeling
Het gereedschap start niet.	De accu is niet geplaatst.	Plaats een opgeladen accu.
	Probleem met de accu (onvoldoende spanning).	Laad de accu's op. Als het opladen geen verbetering brengt, vervangt u de accu door een nieuwe.
	De hoofdschakelaar staat uit.	Het gereedschap wordt automatisch uitgeschakeld wanneer deze gedurende een bepaalde tijdsduur niet wordt bediend. Schakel de hoofdschakelaar weer in.
De motor slaat al na korte tijd af.	De lading van de accu is bijna op.	Laad de accu's op. Als het opladen geen verbetering brengt, vervangt u de accu door een nieuwe.
Geen olie op de zaagketting.	De olietank is leeg.	Vul de olietank.
	De olietoevoergroef is verstopt.	Maak de groef schoon.
	Slechte olietoevoer.	Stel de hoeveelheid toegevoerde olie af met behulp van de stelschroef.
Het gereedschap bereikt niet zijn maximumtoerental.	De accu is verkeerd aangebracht.	Plaats de accu zoals beschreven in deze gebruiksaanwijzing.
	De accuspanning wordt minder.	Laad de accu op. Als het opladen geen verbetering brengt, vervangt u de accu door een nieuwe.
	Het aandrijfsysteem werkt niet goed.	Vraag een erkend servicecentrum in uw regio het gereedschap te repareren.
Het bedrijfslampje knippert groen.	De trekkerschakelaar wordt ingeknepen bij omstandigheden waaronder bediening onmogelijk is.	Knijp de trekkerschakelaar in nadat de hoofdschakelaar is ingeschakeld.
Abnormale trillingen: Schakel onmiddellijk het gereedschap uit!	Losgeraakt zaagblad of zaagketting.	Stel het zaagblad en de kettingspanning af.
	Het gereedschap is defect.	Vraag een erkend servicecentrum in uw regio het gereedschap te repareren.
De koppelboostfunctie is niet beschikbaar nadat de accu is vervangen door een volledig opgeladen accu.	Afhankelijk van de gebruiksomstandigheden is de koppelboostfunctie niet beschikbaar nadat de accu is vervangen.	Gebruik het gereedschap in de normale functie totdat de geplaatste accu leeg is en vervang daarna de accu door een volledig opgeladen accu, of laad de accu op.
De zaagketting kan niet worden aangebracht.	De combinatie van zaagketting en kettingwiel is niet juist.	Gebruik de juiste combinatie van zaagketting en kettingwiel door het hoofdstuk met technische gegevens te raadplegen.

OPTIONELE ACCESSOIRES

⚠ LET OP: Deze accessoires of hulpstukken worden aanbevolen voor gebruik met het Makita gereedschap dat in deze gebruiksaanwijzing is beschreven. Bij gebruik van andere accessoires of hulpstukken bestaat het gevaar van persoonlijke letsel. Gebruik de accessoires of hulpstukken uitsluitend voor hun bestemde doel.

Wenst u meer bijzonderheden over deze accessoires, neem dan contact op met het plaatselijke Makita-servicecentrum.

- Zaagketting
- Zaagblad
- Zaagbladschede
- Gebogen hulpstuk
- Vijn
- Originele Makita-accu en -acculader

⚠ WAARSCHUWING: Als u een zaagblad van een andere lengte dan het standaardzaagblad aanschaft, koopt u tevens een bijbehorende zaagbladschede. Deze moet passen en het zaagblad van de kettingzaag volledig bedekken.

OPMERKING: Sommige items op de lijst kunnen zijn inbegrepen in de doos van het gereedschap als standaard toebehoren. Deze kunnen van land tot land verschillen.

ESPECIFICACIONES

Modelo:		DUA301
Longitud total (sin la placa de guía ni accesorio)		2.530 - 3.760 mm
Tensión nominal		CC 36 V
Peso neto	*1	7,8 kg
	*2	7,8 - 9,0 kg
Longitud de la placa de guía estándar		30 cm
Longitud recomendada de la placa de guía	con 90PX / 91PX / M41 / M43	25 - 30 cm
Tipo de cadena de sierra aplicable (consulte la tabla de abajo)		90PX / 91PX / M41 / M43
Velocidad de la cadena		0 - 20 m/s (0 - 1.200 m/min)
Volumen del depósito de aceite de la cadena		160 cm ³

- Debido a nuestro continuado programa de investigación y desarrollo, las especificaciones aquí dadas están sujetas a cambios sin previo aviso.
- Las especificaciones pueden variar de un país a otro.

*1: Peso, con el cartucho de batería más grande y el depósito de aceite vacío, y sin placa de guía, cadena, arnés de hombro, ni accesorio, de acuerdo con EN ISO11680-1.

*2: La combinación de peso más ligera y la más pesada de acuerdo con el procedimiento EPTA 01/2014. El peso puede variar dependiendo del accesorio o los accesorios, incluyendo el cartucho de batería.

Cartucho de batería y cargador aplicables

Cartucho de batería	BL1820B / BL1830B / BL1840B / BL1850B / BL1860B
Cargador	DC18RC / DC18RD / DC18RE / DC18SD / DC18SE / DC18SF / DC18SH / DC18WC

- Algunos de los cartuchos de batería y cargadores indicados arriba puede que no estén disponibles dependiendo de su región de residencia.

⚠ ADVERTENCIA: Utilice solamente los cartuchos de batería y cargadores listados arriba. La utilización de cualquier otro cartucho de batería y cargador puede ocasionar heridas y/o un incendio.

Fuente de alimentación conectada por cable recomendada

Unidad portátil de alimentación eléctrica	PDC01 / PDC1200 / PDC1500
---	---------------------------

- La fuente o fuentes de alimentación conectadas por cable indicadas arriba puede que no estén disponibles dependiendo de su región de residencia.
- Antes de utilizar la fuente de alimentación conectada por cable, lea las instrucciones e indicaciones de precaución sobre ella.

Combinación de cadena de sierra, placa de guía, y piñón






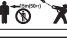
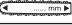



Tipo de cadena de sierra		90PX / M41	
Número de eslabones de arrastre		40	46
Placa de guía	Longitud de la placa de guía	25 cm	30 cm
	Longitud de corte	240 mm	296 mm
	Paso	3/8"	
	Calibre	1,1 mm	
	Tipo	Placa de morro de piñón	
Piñón	Número de dientes	6	
	Paso	3/8"	

Tipo de cadena de sierra		91PX / M43	
Número de eslabones de arrastre		40	46
Placa de guía	Longitud de la placa de guía	25 cm	30 cm
	Longitud de corte	240 mm	296 mm
	Paso	3/8"	
	Calibre	1,3 mm	
	Tipo	Placa de morro de piñón	
Piñón	Número de dientes	6	
	Paso	3/8"	

⚠ ADVERTENCIA: Utilice la combinación apropiada de placa de guía y cadena de sierra. De lo contrario podrá resultar en heridas personales.

Símbolos

A continuación se muestran los símbolos que pueden ser utilizados para el equipo. Asegúrese de que entienda su significado antes de utilizar.

	No exponga a la humedad.
	Lea el manual de instrucciones.
	Póngase un casco, gafas de seguridad y protección para los oídos.
	Póngase guantes de protección.
	Utilice botas robustas con suelas antideslizantes. Se recomienda utilizar botas de seguridad con puntera de acero.
	Tenga cuidado con las líneas eléctricas, riesgo de descarga eléctrica.
	Mantenga una distancia de 15 m por lo menos.
	Longitud de corte permitida máxima
	Dirección de desplazamiento de la cadena
	Depósito de aceite de cadena
	Superficies calientes - Quemarán sus dedos o manos.



Sólo para países de la Unión Europea
Debido a la presencia de componentes peligrosos en el equipo, el equipo eléctrico y electrónico, los acumuladores y las baterías desechados pueden tener un impacto negativo para el medioambiente y la salud humana.

¡No tire los aparatos eléctricos y electrónicos ni las baterías junto con los residuos domésticos!

De conformidad con las Directivas Europeas sobre residuos de aparatos eléctricos y electrónicos y sobre acumuladores y baterías, así como la adaptación de las mismas a la ley nacional, el equipo eléctrico, las baterías y los acumuladores desechados deberán ser almacenados por separado y trasladados a un punto distinto de recogida de desechos municipales, que cumpla con los reglamentos sobre protección medioambiental.

Esto se indica mediante el símbolo de cubo de basura tachado colocado en el equipo.



Nivel de potencia del sonido garantizado de acuerdo con la Directiva UE sobre ruido ambiental.



Nivel de potencia del sonido de acuerdo con el reglamento para el control de ruido en NSW, Australia

Uso previsto

La herramienta ha sido prevista para podar ramas de árboles.

Ruido

El nivel de ruido A-ponderado típico determinado de acuerdo con la norma ISO22868(ISO11680-1):

Nivel de presión sonora (L_{pA}) : 92 dB (A)

Nivel de potencia sonora (L_{WA}) : 103 dB (A)

Error (K) : 3 dB (A)

NOTA: El valor (o los valores) de emisión de ruido declarado ha sido medido de acuerdo con un método de prueba estándar y se puede utilizar para comparar una herramienta con otra.

NOTA: El valor (o valores) de emisión de ruido declarado también se puede utilizar en una valoración preliminar de exposición.

⚠ADVERTENCIA: Póngase protectores para oídos.

⚠ADVERTENCIA: La emisión de ruido durante la utilización real de la herramienta eléctrica puede variar del valor (o los valores) de emisión declarado dependiendo de las formas en las que la herramienta sea utilizada, especialmente qué tipo de pieza de trabajo se procesa.

⚠ADVERTENCIA: Asegúrese de identificar medidas de seguridad para proteger al operario que estén basadas en una estimación de la exposición en las condiciones reales de utilización (teniendo en cuenta todas las partes del ciclo operativo como las veces cuando la herramienta está apagada y cuando está funcionando en vacío además del tiempo de gatillo).

Vibración

Mango izquierdo (Empuñadura delantera)		Mango derecho (Empuñadura trasera)		Estándar aplicable
ah (m/s ²)	Incertidumbre K (m/s ²)	ah (m/s ²)	Incertidumbre K (m/s ²)	
2,5 o menos	1,5	2,8	1,5	ISO22867(ISO11680-1)

NOTA: El valor (o los valores) total de emisión de vibración declarado ha sido medido de acuerdo con un método de prueba estándar y se puede utilizar para comparar una herramienta con otra.

NOTA: El valor (o los valores) total de emisión de vibración declarado también se puede utilizar en una valoración preliminar de exposición.

⚠ADVERTENCIA: La emisión de vibración durante la utilización real de la herramienta eléctrica puede variar del valor (o los valores) de emisión declarado dependiendo de las formas en las que la herramienta sea utilizada, especialmente qué tipo de pieza de trabajo se procesa.

⚠ADVERTENCIA: Asegúrese de identificar medidas de seguridad para proteger al operario que estén basadas en una estimación de la exposición en las condiciones reales de utilización (teniendo en cuenta todas las partes del ciclo operativo como las veces cuando la herramienta está apagada y cuando está funcionando en vacío además del tiempo de gatillo).

Declaraciones de conformidad

Para países europeos solamente

Las declaraciones de conformidad están incluidas como Anexo A de este manual de instrucciones.

ADVERTENCIAS DE SEGURIDAD

Advertencias de seguridad para herramientas eléctricas en general

⚠ADVERTENCIA Lea todas las advertencias de seguridad, instrucciones, ilustraciones y especificaciones provistas con esta herramienta eléctrica. Si no sigue todas las instrucciones indicadas abajo, podrá resultar en una descarga eléctrica, un incendio y/o heridas graves.

Guarde todas las advertencias e instrucciones para futuras

referencias.

El término "herramienta eléctrica" en las advertencias se refiere a su herramienta eléctrica de funcionamiento con conexión a la red eléctrica (con cable) o herramienta eléctrica de funcionamiento a batería (sin cable).

Advertencias de seguridad para la sierra de extensión inalámbrica

Precauciones generales

1. Antes de poner en marcha la herramienta, lea este manual de instrucciones para familiarizarse con el manejo de la herramienta.
2. No preste la herramienta a una persona con insuficiente experiencia o conocimiento acerca del manejo de la herramienta.
3. Cuando preste la herramienta, incluya siempre este manual de instrucciones.
4. No permita que niños o personas jóvenes de menos de 18 años de edad utilicen la herramienta. Manténgalos alejados de la herramienta.
5. Maneje la herramienta con sumo cuidado y atención.

6. No utilice nunca la herramienta después de consumir alcohol o drogas, o si se siente cansado o enfermo.
7. No intente nunca modificar la herramienta.
8. No utilice la herramienta en malas condiciones meteorológicas, especialmente cuando haya riesgo de relámpagos. Esto disminuirá el riesgo de sufrir el impacto de un rayo.
9. Los reglamentos nacionales pueden restringir el uso de la herramienta. Siga los reglamentos de su país sobre el manejo de la herramienta.

Equipo de protección personal

1. Póngase casco de seguridad, gafas de protección y guantes de protección para protegerse de los restos que salen volando u objetos que caigan.
2. Póngase protección para los oídos como orejeras para evitar pérdida auditiva.
3. Póngase ropa y zapatos apropiados, como un mono de trabajo y zapatos robustos con suela antideslizante, para realizar la operación con seguridad. No se ponga ropa holgada ni joyas. Las ropas holgadas, las joyas y el cabello largo se pueden enganchar en las partes móviles.
4. Cuando maneje la cadena de sierra o ajuste la tensión de la cadena, póngase guantes de protección. La cadena de sierra puede cortar las manos desnudas gravemente.

Seguridad en el área de trabajo

1. Mantenga la herramienta alejada al menos 15 m de cables eléctricos y cables de comunicación (incluyendo cualquier rama que haga contacto con ellos). Tocar o acercarse a cables de alta tensión con la herramienta puede resultar en la muerte o heridas graves. Observe si hay cables eléctricos y vallas eléctricas alrededor del área de trabajo antes de comenzar la operación.
2. Utilice la herramienta en buenas condiciones de visibilidad y a la luz del día solamente. No utilice la herramienta en la oscuridad ni con niebla.
3. Durante la operación, no se ponga nunca sobre una superficie inestable o resbaladiza ni en una pendiente empinada. Durante la estación fría, tenga cuidado con el hielo y la nieve y asegúrese siempre de pisar suelo firme.
4. Durante la operación, mantenga a los transeúntes o animales alejados al menos 15 m de la herramienta. Pare la herramienta en cuanto alguien se acerque.
5. Cuando trabaje con dos o más personas, mantenga una distancia de al menos 15 m o más entre cada una y ponga un supervisor.
6. Antes de la operación, examine el área de trabajo por si hay cercas alambradas, paredes u otros objetos sólidos. Ellos pueden dañar la cadena de sierra.

Preparación

1. Antes de ensamblar o ajustar la herramienta, apague la herramienta y retire el cartucho de batería.
2. Antes de manejar la cadena de sierra o ajustar la tensión de la cadena, póngase guantes de

protección.

3. Antes de poner en marcha la herramienta, inspeccione la herramienta por si hay daños, tornillos/tuercas flojos o un ensamblaje incorrecto. Afíle la cadena de sierra desafilada. Si la cadena de sierra está torcida o dañada, reemplácela. Compruebe todas las palancas de control e interruptores para ver que se accionan con facilidad. Limpie y seque las empuñaduras.
4. No intente nunca poner en marcha la herramienta si está dañada o sin ensamblar completamente. De lo contrario, podrá resultar en heridas graves.
5. Ajuste el arnés de hombro para acomodarlo al tamaño del cuerpo del operario.
6. Ajuste la tensión de la correa correctamente. Rellene el aceite de cadena, si es necesario.

Puesta en marcha de la herramienta

1. Póngase equipo de protección personal antes de poner en marcha la herramienta.
2. Antes de poner en marcha la herramienta, asegúrese de que no hay ninguna persona o animal en el área de trabajo.
3. Cuando instale el cartucho de batería, mantenga la cadena de sierra y la placa de guía alejadas de su cuerpo y otros objetos, incluido el suelo. La cadena de sierra se puede mover al principio y ocasionar heridas graves o daños a la cadena de sierra y/o a la propiedad.
4. Coloque la herramienta sobre suelo firme. Mantenga un buen equilibrio y los pies sobre suelo firme.

Operación

1. En el caso de una emergencia, apague la herramienta inmediatamente.
2. Si nota cualquier condición inusual (por ejemplo, ruido, vibración) durante la operación, apague la herramienta. No utilice la herramienta hasta haber reconocido y resuelto la causa.
3. La cadena de sierra continúa moviéndose un corto periodo de tiempo después de apagar la herramienta. No se precipite a tocar la cadena de sierra.
4. Durante la operación, utilice el arnés de hombro. Mantenga la herramienta en su costado derecho firmemente.
5. Sujete la empuñadura delantera con la mano izquierda y la empuñadura trasera con la mano derecha, independientemente de si usted es diestro o zurdo. Pliegue sus dedos y pulgares alrededor de las empuñaduras.
6. Sujete la herramienta por las superficies de asimiento aisladas solamente, porque la cadena de sierra puede entrar en contacto con cableado oculto. El contacto de la cadena de sierra con un cable con corriente podrá hacer que la corriente circule por las partes metálicas expuestas de la podadora de alcance ampliado y podrá soltar una descarga eléctrica al operario.
7. No intente nunca utilizar la herramienta con una sola mano. La pérdida de control puede resultar en heridas graves o fatales. Para

reducir el riesgo de sufrir heridas, mantenga las manos y los pies alejados de la cadena de sierra.

8. No trabaje donde no alcance. Mantenga los pies sobre suelo firme y el equilibrio en todo momento. Observe por si hay obstáculos ocultos como troncos de árboles cortados, raíces y zanjas para evitar tropezar. Retire las ramas caídas y otros objetos.
9. No trabaje nunca subido en una escalera o un árbol para evitar perder el control.
10. Si la herramienta sufre un impacto fuerte o se cae, compruebe la condición antes de continuar trabajando. Si hay cualquier daño o tiene dudas, pida al centro de servicio autorizado de Makita que hagan la inspección y reparación.
11. No toque el cabezal de la herramienta. El cabezal de la herramienta se vuelve caliente durante la operación.
12. Descanse para evitar la pérdida del control a causa de la fatiga. Recomendamos descansar de 10 a 20 minutos cada hora.
13. Cuando deje la herramienta, aunque solo sea durante un tiempo corto, apague siempre la herramienta y retire el cartucho de batería. La herramienta en marcha y sin atender puede ser utilizada por una persona no autorizada y ocasionar un accidente grave.
14. Cuando utilice la herramienta, no levante la mano derecha por encima de la altura de su hombro.
15. Durante la operación, no golpee nunca la cadena de sierra contra obstáculos duros como piedras y clavos. Tenga cuidado especial cuando corte ramas junto a paredes, cercas alambradas o similares.
16. Si se enganchan ramas en la herramienta, detenga siempre la herramienta y retire el cartucho de batería. De lo contrario, una puesta en marcha no intencionada podrá ocasionar heridas graves.
17. Si la cadena de sierra se atasca, apague siempre la herramienta y retire el cartucho de batería antes de limpiar.
18. Acelerar el motor con la cadena de sierra bloqueada aumentará la carga y dañará la herramienta.
19. Antes de cortar ramas, mantenga un área de escape alejada de la rama que va a caer. Primero, retire obstrucciones tales como ramas del área de trabajo. Mueva todas las herramientas y enseres del área de escape a otro lugar seguro.
20. Antes de cortar ramas, compruebe la dirección en la que van a caer, considerando la condición de las ramas, árboles adyacentes, dirección del viento, etc. Preste completa atención a la dirección de caída, y al rebote de la rama, que golpea el suelo.
21. No sujete nunca la herramienta en un ángulo de más de 60°. De lo contrario, los objetos que caen pueden golpear al operario y ocasionar heridas graves. No se ponga nunca debajo de la rama que está siendo cortada.
22. Preste atención a las ramas rotas o torcidas.

Podrán rebotar al cortarlas, ocasionando heridas inesperadas.

23. Antes de cortar las ramas que piensa cortar, retire las ramas y hojas alrededor de ellas. De lo contrario, la cadena de sierra podrá engancharse en ellas.
24. Para evitar que la cadena de sierra se enganche en la hendidura, no suelte la palanca antes de extraer la cadena de sierra de la hendidura.
25. Si la cadena de sierra se traba en la hendidura, detenga inmediatamente la herramienta, mueva la rama con cuidado para abrir la hendidura y libere la cadena de sierra.
26. Evite un contragolpe (fuerza reactiva giratoria hacia el operario). Para evitar un contragolpe, no utilice nunca la punta de la placa de guía ni realice un corte por penetración. Esté siempre al tanto de la posición de la punta de la placa de guía.
27. Compruebe la tensión de la cadena con frecuencia. Cuando compruebe o ajuste la tensión de la cadena, apague la herramienta y retire el cartucho de batería. Si la tensión está floja, apriétela.

Vibración

1. La exposición a una vibración excesiva herirá los vasos sanguíneos o el sistema nervioso del operario y ocasionará los síntomas siguientes en los dedos, manos o muñecas: "adormecimiento" (entumecimiento), hormigueo, dolor, sensación de pinchazos, o alteración del color de la piel o alteración de la piel. Si aparece cualquiera de estos síntomas, consulte a un médico.
Para reducir el riesgo del "mal de dedos blancos", mantenga calientes las manos durante la operación y realice correctamente el mantenimiento de la herramienta y los accesorios. Para el tiempo de operación, siga los reglamentos locales o el consejo de su médico.

Transporte

1. Antes de transportar la herramienta, apague la herramienta y retire el cartucho de batería. Coloque siempre la cubierta de la placa de guía durante el transporte.
2. Cuando transporte la herramienta, llévela siempre en posición horizontal cogiéndola por la empuñadura.

Mantenimiento

1. Haga que el equipo sea servido por nuestro centro de servicio autorizado, utilizando siempre únicamente piezas de repuesto genuinas. Una reparación incorrecta o un mal mantenimiento puede acortar la vida de servicio de la herramienta y aumentar el riesgo de accidentes.
2. Antes de hacer cualquier trabajo de mantenimiento o reparación o limpiar la herramienta, apague siempre la herramienta y retire el cartucho de batería. Espere hasta que la herramienta se enfríe.
3. Póngase siempre guantes de protección cuando maneje la cadena de sierra.
4. Después de cada utilización, apriete todos los tornillos y tuercas, excepto los tornillos de

ajuste.

5. Mantenga la cadena de sierra afilada. Si la cadena de sierra se ha desafilado y el rendimiento de corte no es bueno, pida al centro de servicio autorizado de Makita que se la afilen o reemplacen con una nueva.
6. No intente realizar ningún mantenimiento o reparación no descrito en este manual de instrucciones. Pida al centro de servicio autorizado de Makita que hagan ese trabajo.
7. Utilice siempre piezas de repuesto y accesorios genuinos de Makita solamente. Utilizar piezas o accesorios suministrados por un tercero puede resultar en una rotura de la herramienta, daños a la propiedad y/o heridas graves.

Almacenamiento

1. Antes de almacenar la herramienta, realice una limpieza y mantenimiento completos. Coloque la cubierta de la placa de guía. Retire el cartucho de batería. Drene el aceite de cadena después de que la herramienta se enfríe.
2. Almacene la herramienta en un lugar seco y alto o cerrado con llave fuera del alcance de los niños.
3. No apoye la herramienta contra algo, como una pared. De lo contrario, podrá caerse de repente y ocasionar heridas.

Seguridad eléctrica y de la batería

1. No deseche la batería(s) arrojándola al fuego. La célula puede explotar. Compruebe los códigos locales por si hay instrucciones para el posible desecho especial.
2. No abra o mutile la batería(s). El electrolito liberado es corrosivo y puede ocasionar daño a los ojos o la piel. Puede ser tóxico si se traga.
3. No cargue la batería bajo la lluvia, o en lugares mojados.
4. No cargue la batería en exteriores.
5. No maneje el cargador, incluida la clavija del cargador, y los terminales del cargador con las manos mojadas.
6. Evite los entornos peligrosos. No utilice la herramienta en lugares húmedos o mojados ni la esponja a la lluvia. La entrada de agua en la herramienta aumentará el riesgo de que se produzca una descarga eléctrica.

GUARDE ESTAS INSTRUCCIONES.

⚠ ADVERTENCIA: NO deje que la comodidad o familiaridad con el producto (a base de utilizarlo repetidamente) sustituya la estricta observancia de las normas de seguridad para el producto en cuestión. El MAL USO o el no seguir las normas de seguridad establecidas en este manual de instrucciones podrá ocasionar heridas personales graves.

Instrucciones de seguridad importantes para el cartucho de batería

1. Antes de utilizar el cartucho de batería, lea todas las instrucciones e indicaciones de precaución sobre (1) el cargador de baterías, (2) la batería, y (3) el producto con el que se utiliza la batería.
2. No desensamble ni manipule el cartucho de batería. Podrá resultar en un incendio, calor excesivo, o una explosión.
3. Si el tiempo de uso se acorta demasiado, cese la operación inmediatamente. Podría resultar en un riesgo de recalentamiento, posibles quemaduras e incluso una explosión.
4. Si entra electrólito en sus ojos, aclárelos con agua limpia y acuda a un médico inmediatamente. Existe el riesgo de poder perder la vista.
5. No cortocircuite el cartucho de batería:
 - (1) No toque los terminales con ningún material conductor.
 - (2) Evite guardar el cartucho de batería en un cajón junto con otros objetos metálicos, como clavos, monedas, etc.
 - (3) No exponga el cartucho de batería al agua ni a la lluvia.

Un cortocircuito en la batería puede producir una gran circulación de corriente, un recalentamiento, posibles quemaduras e incluso una rotura de la misma.

6. No guarde ni utilice la herramienta y el cartucho de batería en lugares donde la temperatura pueda alcanzar o exceder los 50 °C.
7. Nunca incinere el cartucho de batería incluso en el caso de que esté dañado seriamente o ya no sirva en absoluto. El cartucho de batería puede explotar si se tira al fuego.
8. No clave, corte, aplaste, lance, deje caer el cartucho de batería, ni golpee contra un objeto duro el cartucho de batería. Tal conducta podrá resultar en un incendio, calor excesivo, o una explosión.
9. No utilice una batería dañada.
10. Las baterías de litio-ion contenidas están sujetas a los requisitos de la Legislación para Materiales Peligrosos.

Para transportes comerciales, p.ej., por terceras personas y agentes de transportes, se deberán observar requisitos especiales para el empaquetado y etiquetado.

Para la preparación del artículo que se va a enviar, se requiere consultar con un experto en materiales peligrosos. Por favor, observe también la posibilidad de reglamentos nacionales más detallados.

Cubra con cinta aislante o enmascare los contactos expuestos y empaquete la batería de tal manera que no se pueda mover alrededor dentro del embalaje.

11. Para desechar el cartucho de batería, retirelo de la herramienta y deséchelo en un lugar seguro. Siga los reglamentos locales

referentes al desecho de la batería.

12. **Utilice las baterías solamente con los productos especificados por Makita.** La instalación de las baterías en productos no compatibles puede resultar en un incendio, calor excesivo, explosión, o fuga de electrolito.
13. **Si la herramienta no va a ser utilizada durante un periodo de tiempo largo, la batería deberá ser retirada de la herramienta.**
14. **Durante y después de la utilización, el cartucho de batería podrá acumular calor, lo cual puede ocasionar quemaduras o quemaduras de baja temperatura.** Preste atención al manejo de cartuchos de batería calientes.
15. **No toque el terminal de la herramienta inmediatamente después de utilizar, dado que puede calentarse lo suficiente como para ocasionar quemaduras.**
16. **No permita que virutas, polvo, o tierra se adhieran dentro de los terminales, orificios, y ranuras del cartucho de batería.** Esto podría ocasionar calentamiento, que coja fuego, reviente y un mal funcionamiento de la herramienta o el cartucho de batería, resultando en quemaduras o heridas personales.
17. **A menos que la herramienta pueda utilizarse cerca de cables eléctricos de alta tensión, no utilice el cartucho de batería cerca de cables eléctricos de alta tensión.** Podrá resultar en un mal funcionamiento o rotura de la herramienta o el cartucho de batería.
18. **Mantenga la batería alejada de los niños.**

GUARDE ESTAS INSTRUCCIONES.

⚠PRECAUCIÓN: Utilice solamente baterías genuinas de Makita. La utilización de baterías no genuinas de Makita, o baterías que han sido alteradas, puede resultar en una explosión de la batería ocasionando incendios, heridas personales y daños. También anulará la garantía de Makita para la herramienta y el cargador de Makita.

Consejos para alargar al máximo la vida de servicio de la batería

1. **Cargue el cartucho de batería antes de que se descargue completamente.** Detenga siempre la operación y cargue el cartucho de batería cuando note menos potencia en la herramienta.
2. **No cargue nunca un cartucho de batería que esté completamente cargado.** La sobrecarga acortará la vida de servicio de la batería.
3. **Cargue el cartucho de batería a temperatura ambiente de 10 °C - 40 °C.** Si un cartucho de batería está caliente, déjelo enfriar antes de cargarlo.
4. **Cuando no esté utilizando el cartucho de batería, retírelo de la herramienta o del cargador.**
5. **Cargue el cartucho de batería si no lo utiliza durante un periodo de tiempo prolongado (más de seis meses).**

DESCRIPCIÓN DE LAS PARTES

► Fig.1

1	Lámpara de alimentación principal	2	Indicador de modo	3	Interruptor de alimentación principal
4	Colgador	5	Palanca de desbloqueo	6	Cartucho de batería
7	Gatillo interruptor	8	Empuñadura trasera	9	Cadena de sierra
10	Placa de guía	11	Tapón del depósito de aceite	12	Anillo de bloqueo
13	Tuerca de retención	14	Tornillo de ajuste de la cadena	15	Cubierta de la placa de guía
16	Empuñadura delantera	-	-	-	-

DESCRIPCIÓN DEL FUNCIONAMIENTO

⚠PRECAUCIÓN: Asegúrese siempre de que la herramienta está apagada y el cartucho de batería retirado antes de realizar cualquier ajuste o comprobación en la herramienta.

Instalación o extracción del cartucho de batería

⚠PRECAUCIÓN: Apague siempre la herramienta antes de instalar o retirar el cartucho de batería.

⚠PRECAUCIÓN: Sujete la herramienta y el cartucho de batería firmemente cuando instale o retire el cartucho de batería. Si no sujeta la herramienta y el cartucho de batería firmemente podrán caérsele de las manos y resultar en daños a la herramienta y al cartucho de batería y heridas personales.

Para instalar el cartucho de batería, alinee la lengüeta del cartucho de batería con la ranura del alojamiento y

deslícelo al interior hasta encajarlo en su sitio. Insértelo por completo hasta que se bloquee en su sitio con un pequeño chasquido. Si puede ver el indicador rojo como se muestra en la figura, no estará bloqueado completamente.

Para retirar el cartucho de batería, deslícelo de la herramienta mientras desliza el botón de la parte frontal del cartucho.

► **Fig.2:** 1. Indicador rojo 2. Botón 3. Cartucho de batería

⚠PRECAUCIÓN: Instale siempre el cartucho de batería completamente hasta que no pueda verse el indicador rojo. En caso contrario, podrá caerse accidentalmente de la herramienta y ocasionarle heridas a usted o a alguien que esté cerca de usted.

⚠PRECAUCIÓN: No instale el cartucho de batería empleando fuerza. Si el cartucho no se desliza al interior fácilmente, será porque no está siendo insertado correctamente.

Modo de indicar la capacidad de batería restante

Solamente para cartuchos de batería con el indicador

Presione el botón de comprobación en el cartucho de batería para indicar la capacidad de batería restante. Las lámparas indicadoras se iluminan durante unos pocos segundos.

► **Fig.3:** 1. Lámparas indicadoras 2. Botón de comprobación

Lámparas indicadoras			Capacidad restante
Iluminada	Apagada	Parpadeando	
■	□	◐	75% a 100%
■	■	■	
■	■	□	
■	■	□	
■	□	□	50% a 75%
■	□	□	25% a 50%
■	□	□	0% a 25%
◐	□	□	Cargue la batería.
■	■	□	Puede que la batería no esté funcionando bien.
□	□	■	

NOTA: Dependiendo de las condiciones de utilización y de la temperatura ambiente, la indicación podrá variar ligeramente de la capacidad real.

NOTA: La primera lámpara indicadora (extremo izquierdo) parpadeará cuando el sistema de protección de la batería esté funcionando.

Sistema de protección de la herramienta / batería

La herramienta está equipada con un sistema de protección de la herramienta/batería. Este sistema corta automáticamente la alimentación al motor para alargar la vida de servicio de la herramienta y la batería. La herramienta se detendrá automáticamente durante la operación si la herramienta o la batería es puesta en una de las condiciones siguientes:

Protección contra sobrecarga

Cuando la batería sea utilizada de una manera que dé lugar a que tenga que absorber una corriente anormalmente alta, la herramienta se detendrá automáticamente y la lámpara de alimentación principal parpadeará en verde. En esta situación, apague la herramienta y detenga la tarea que ocasiona la sobrecarga de la herramienta. Después encienda la herramienta para volver a empezar.

Protección contra el recalentamiento

Cuando la herramienta o la batería se recalienta, la herramienta se detiene automáticamente y la lámpara de alimentación principal se ilumina en rojo. En este caso, deje que la herramienta y la batería se enfríen antes de encender la herramienta otra vez.

NOTA: En un entorno de alta temperatura, la protección contra recalentamiento probablemente se accione y la herramienta se detendrá automáticamente.

Protección contra descarga excesiva

Cuando la capacidad de batería no sea suficiente, la herramienta se detendrá automáticamente y lámpara de alimentación principal parpadeará en rojo. En este caso, retire la batería de la herramienta y cargue la batería.

Interruptor de alimentación principal

⚠ADVERTENCIA: Desactive siempre el interruptor de alimentación principal cuando la herramienta no esté siendo utilizada.

Para encender la herramienta, presione el interruptor de alimentación principal hasta que la lámpara de alimentación principal se ilumine en verde. Para apagar, presione el interruptor de alimentación principal otra vez.

► **Fig.4:** 1. Lámpara de alimentación principal 2. Indicador de modo 3. Interruptor de alimentación principal

NOTA: La lámpara de alimentación principal parpadeará en verde cuando active el interruptor de alimentación principal mientras mantiene presionada la palanca de desbloqueo y aprieta el gatillo interruptor. En este caso, libere el gatillo interruptor y la palanca de desbloqueo, y después active el interruptor de alimentación principal.

NOTA: Esta herramienta emplea la función de desconexión automática de la alimentación. Para evitar una puesta en marcha involuntaria, el interruptor de alimentación principal se desconectará automáticamente cuando el gatillo interruptor no sea apretado durante un cierto periodo de tiempo después de haber activado el interruptor de alimentación principal.

Puede utilizar la herramienta en el modo Servopar para cortar ramas gruesas o ramas duras. Para utilizar la herramienta en el modo Servopar, cuando la herramienta esté apagada, presione el interruptor de alimentación principal durante unos pocos segundos hasta que el indicador de modo se ilumine en verde.

NOTA: Puede utilizar la herramienta en el modo Servopar hasta 60 segundos. Dependiendo de las condiciones de utilización, este modo cambiará a modo normal en menos de 60 segundos.

NOTA: Si el indicador de modo parpadea en verde cuando presiona el interruptor de alimentación principal durante unos pocos segundos, el modo Servopar no estará disponible. En este caso, siga los pasos de abajo.

- El modo Servopar no está disponible justo después de la operación de corte. Espere más de 10 segundos, y después presione el interruptor de alimentación principal durante unos pocos segundos otra vez.
- Si utiliza el modo Servopar varias veces, la utilización del modo Servopar se restringirá para proteger la batería. Si el modo Servopar no está disponible después de esperar más de 10 segundos, reemplace el cartucho de batería con uno cargado completamente, o recargue el cartucho de batería.

NOTA: Si la lámpara de alimentación principal se ilumina en rojo o parpadea en rojo o verde, consulte las instrucciones para el sistema de protección de la herramienta/batería.

Accionamiento del interruptor

⚠ADVERTENCIA: Por su propia seguridad, esta herramienta está equipada con la palanca de desbloqueo que evita que la herramienta sea puesta en marcha involuntariamente. No utilice **NUNCA** la herramienta si se pone en marcha cuando usted simplemente aprieta el gatillo interruptor sin presionar la palanca de desbloqueo. Lleve la herramienta a nuestro centro de servicio autorizado para que le hagan las reparaciones apropiadas **ANTES** de seguir utilizándola.

⚠ADVERTENCIA: **NUNCA** sujete con cinta adhesiva o anule el propósito o la función de la palanca de desbloqueo.

⚠PRECAUCIÓN: Antes de insertar el cartucho de batería en la herramienta, compruebe siempre para cerciorarse de que el gatillo interruptor se acciona debidamente y que vuelve a la posición "OFF" cuando lo suelta.

⚠AVISO: No apriete con fuerza el gatillo interruptor sin presionar la palanca de desbloqueo. Esto puede ocasionar la rotura del interruptor.

Para evitar que el gatillo interruptor pueda ser apretado accidentalmente, se ha provisto una palanca de desbloqueo. Para poner en marcha la herramienta, presione hacia dentro la palanca de desbloqueo y apriete el gatillo interruptor. La velocidad de la herramienta incrementa aumentando la presión en el gatillo interruptor. Suelte el gatillo interruptor para parar.

► **Fig.5:** 1. Gatillo interruptor 2. Palanca de desbloqueo

Ajuste de la longitud del tubo

Para alargar o acortar el tubo, afloje el anillo de bloqueo girándolo hacia la izquierda, después ajuste la longitud del tubo, y después apriete el anillo de bloqueo girándolo hacia la derecha.

► **Fig.6:** 1. Anillo de bloqueo 2. Tubo

Función electrónica

La herramienta está equipada con funciones electrónicas para facilitar su funcionamiento.

- Control de velocidad constante
La función de control de velocidad brinda la velocidad de rotación constante independientemente de las condiciones de carga.

MONTAJE

⚠PRECAUCIÓN: Asegúrese siempre de que la herramienta está apagada y el cartucho de batería retirado antes de realizar cualquier trabajo en la herramienta.

⚠PRECAUCIÓN: No toque la cadena de sierra con las manos desnudas. Póngase siempre guantes cuando maneje la cadena de sierra.

Ensamblaje de la herramienta

1. Retire 2 tapones del tubo, y 1 tapón del cabezal de la herramienta.

► **Fig.7:** 1. Tapón 2. Tubo 3. Cabezal de la herramienta

2. Afloje 3 pernos, y después retire 1 perno utilizando la llave hexagonal.

► **Fig.8:** 1. Perno

3. Inserte el tubo en el cuerpo de la herramienta a fondo, y después alinee el agujero del tubo con el agujero del cuerpo de la herramienta.

► **Fig.9:** 1. Agujero 2. Tubo

4. Apriete 3 pernos utilizando la llave hexagonal.

► **Fig.10:** 1. Perno

5. Afloje 2 pernos, y después retire 1 perno.

► **Fig.11:** 1. Perno

6. Afloje el anillo de bloqueo girándolo hacia la

izquierda, después alargue el tubo aproximadamente 10 cm o más, y después apriete el anillo de bloqueo girándolo hacia la derecha.

► **Fig.12:** 1. Anillo de bloqueo 2. 10 cm o más 3. Tubo

7. Inserte el tubo en el cabezal de la herramienta a fondo, y después alinee el agujero del tubo con el agujero del cabezal de la herramienta.

► **Fig.13:** 1. Agujero 2. Tubo

8. Apriete 2 pernos utilizando la llave hexagonal.

► **Fig.14:** 1. Perno

Desinstalación o instalación de la cadena de sierra

⚠PRECAUCIÓN: La cadena de sierra y la placa de guía estarán todavía calientes justo después de la operación. Déjelas enfriar suficientemente antes de llevar a cabo cualquier trabajo en la herramienta.

⚠PRECAUCIÓN: Realice el procedimiento de instalación o desmontaje de la cadena de sierra en un lugar limpio y libre de serrín y similares.

Para quitar la cadena de sierra, realice los pasos siguientes:

1. Afloje el tornillo de ajuste de la cadena, después la tuerca de retención.

► **Fig.15:** 1. Tornillo de ajuste de la cadena 2. Tuerca de retención

2. Retire la cubierta del piñón, y después retire la cadena de sierra y la placa de guía del cuerpo de la herramienta.

Para instalar la cadena de sierra, realice los pasos siguientes:

1. Compruebe la dirección de la cadena de sierra. Haga coincidir la dirección de la cadena de sierra con la de la marca del cuerpo de la herramienta.

2. Encaje un extremo de la cadena de sierra encima de la placa de guía. Encaje el otro extremo de la cadena de sierra alrededor del piñón. Asegúrese de que la cadena de sierra está colocada debidamente en el piñón y debidamente colocada en la ranura de la placa de guía.

3. Coloque la placa de guía en el cuerpo de la herramienta, alineando el agujero de la placa de guía con el pasador del cuerpo de la herramienta.

► **Fig.16:** 1. Piñón 2. Agujero

4. Inserte el saliente de la cubierta del piñón en el cuerpo de la herramienta, y después cierre la cubierta de manera que el perno y el pasador del cuerpo de la herramienta encajen en sus equivalentes de la cubierta.

► **Fig.17:** 1. Saliente 2. Cubierta del piñón 3. Perno 4. Pasador

5. Apriete la tuerca de retención para sujetar la cubierta del piñón, después aflójela un poco para el ajuste de tensión.

► **Fig.18:** 1. Tuerca de retención

Ajuste de la tensión de la cadena de sierra

⚠PRECAUCIÓN: No apriete demasiado la cadena de sierra. Una tensión excesiva de la cadena de sierra puede ocasionar la rotura de la cadena de sierra y el desgaste de la placa de guía.

⚠PRECAUCIÓN: Una cadena muy floja puede saltar de la placa y causar un accidente con heridas.

La cadena de sierra se podrá aflojar después de muchas horas de utilización. De vez en cuando compruebe la tensión de la cadena de sierra antes de utilizarla.

1. Afloje la tuerca de retención un poco para aflojar ligeramente la cubierta del piñón.

► **Fig.19:** 1. Tuerca de retención

2. Levante la punta de la placa de guía ligeramente y ajuste la tensión de la cadena. Gire el tornillo de ajuste de la cadena hacia la izquierda para apretar, gírelo hacia la derecha para aflojar.

Apriete la cadena de sierra hasta que el lado inferior de la cadena de sierra encaje en el riel de la placa de guía como se muestra en la figura.

► **Fig.20:** 1. Placa de guía 2. Cadena de sierra 3. Tornillo de ajuste de la cadena

3. Siga sujetando la placa de guía ligeramente y coloque la cubierta del piñón.

Asegúrese de que la cadena de sierra no se afloja en el lado inferior.

4. Apriete la tuerca de retención para sujetar la cubierta del piñón.

► **Fig.21:** 1. Tuerca de retención

Instalación o desmontaje del accesorio acodado

Accesorio opcional

⚠PRECAUCIÓN: Antes de instalar o retirar el accesorio acodado, asegúrese de colocar la cubierta de la placa de guía en la herramienta.

Puede cambiar el ángulo del cabezal de la herramienta colocando el accesorio acodado en la herramienta.

1. Afloje el anillo de bloqueo girándolo hacia la izquierda, después alargue el tubo aproximadamente 10 cm o más, y después apriete el anillo de bloqueo girándolo hacia la derecha.

► **Fig.22:** 1. 10 cm o más 2. Anillo de bloqueo 3. Tubo

2. Afloje los 2 pernos con la llave hexagonal, y después retire el tubo del cabezal de la herramienta.

► **Fig.23:** 1. Perno

3. Retire las tapas del accesorio acodado.

► **Fig.24:** 1. Tapón

4. Alinee el agujero del tubo con el del accesorio, y después inserte el tubo en el accesorio.

► **Fig.25:** 1. Agujero 2. Perno 3. Tubo

5. Apriete los 2 pernos para sujetar el accesorio.

► **Fig.26:** 1. Perno

6. Coloque el cabezal de la herramienta en el accesorio.

Para fijar el cabezal de la herramienta verticalmente, fije el accesorio apretando el perno en el agujero del accesorio mostrado en la figura, y después apriete el otro perno.

► **Fig.27:** 1. Perno 2. Agujero

Para fijar el cabezal de la herramienta horizontalmente, fije el accesorio apretando el perno en el agujero del accesorio mostrado en la figura, y después apriete el otro perno.

► **Fig.28:** 1. Perno 2. Agujero

Para retirar el accesorio acodado, realice el procedimiento de instalación a la inversa.

OPERACIÓN

Lubricación

AVISO: Cuando llene con aceite de cadena por primera vez, o rellene el depósito después de haber sido vaciado completamente, añada aceite hasta el borde inferior de la boca de llenado. De lo contrario el suministro de aceite se podrá obstaculizar.

AVISO: Utilice el aceite de cadena de sierra exclusivamente para electrosierras Makita o aceite equivalente disponible en el comercio.

AVISO: No utilice nunca aceite que contenga polvo y partículas o aceite volátil.

AVISO: Cuando pade árboles, utilice aceite botánico. El aceite mineral puede dañar los árboles.

AVISO: Antes de realizar la operación de corte, asegúrese de que el tapón del depósito de aceite suministrado está roscado en su sitio.

La cadena de sierra se lubrica automáticamente cuando la herramienta está funcionando. Compruebe la cantidad restante de aceite en el depósito de aceite periódicamente.

► **Fig.29:** 1. Depósito de aceite

Para rellenar el depósito, coloque la herramienta sobre una superficie plana, después presione el botón del tapón del depósito de aceite de manera que el botón del otro lado se levante, y después retire el tapón del depósito de aceite girándolo.

La cantidad apropiada de aceite es de 160 ml. Después de rellenar el depósito, asegúrese de que el tapón del depósito de aceite está apretado firmemente.

► **Fig.30:** 1. Tapón del depósito de aceite 2. Apretar 3. Aflojar

NOTA: Si resulta difícil retirar el tapón del depósito de aceite, inserte la llave de tubo en la ranura del tapón del depósito de aceite, y después retire el tapón del depósito de aceite girándolo hacia la izquierda.

► **Fig.31:** 1. Ranura 2. Llave de tubo

Después de rellenar, sujete la herramienta alejada del árbol. Póngala en marcha y espere hasta que la lubricación de la cadena de sierra sea apropiada.

► **Fig.32**

Colocación del arnés de hombro

PRECAUCIÓN: Cuando utilice la herramienta en combinación con el suministro de alimentación tipo mochila tal como una unidad portátil de alimentación eléctrica, no utilice el arnés de hombro incluido en el paquete de la herramienta, sino que utilice la cinta para colgar recomendada por Makita.

Si se pone el arnés de hombro incluido en el paquete de la herramienta y el arnés de hombro del suministro de alimentación tipo mochila al mismo tiempo, le resultará difícil quitarse la herramienta o el suministro de alimentación tipo mochila en caso de una emergencia, y esto podrá ocasionar un accidente o heridas. Para la cinta para colgar recomendada, pregunte en centros de servicio autorizados de Makita.

PRECAUCIÓN: Utilice siempre el arnés de hombro fijado en la herramienta. Antes de la operación, ajuste el arnés de hombro de acuerdo con la talla del usuario para evitar la fatiga.

PRECAUCIÓN: Antes de la operación, asegúrese de que el arnés de hombro está colocado debidamente en el colgador de la herramienta.

PRECAUCIÓN: Antes de la operación, asegúrese de que la hebilla del arnés de hombro está bloqueada firmemente.

PRECAUCIÓN: Utilice siempre el arnés de hombro exclusivo para esta herramienta. No utilice otros arneses de hombro.

1. Póngase el arnés de hombro y abroche la hebilla.

► **Fig.33:** 1. Hebilla

NOTA: Cuando retire el arnés de hombro, desbloquee la hebilla y retire el arnés de hombro.

2. Ajuste el arnés de hombro en una posición de trabajo cómoda.

► **Fig.34**

3. Prenda el gancho del arnés de hombro en el colgador de la herramienta.

► **Fig.35:** 1. Gancho 2. Colgador

El arnés de hombro cuenta con un medio de desenganche rápido. Simplemente apriete los costados de la hebilla para liberar el arnés de hombro.

► **Fig.36:** 1. Hebilla

Para trabajar con la herramienta

⚠ PRECAUCIÓN: Mantenga todas las partes del cuerpo alejadas de la cadena de sierra cuando el motor esté en marcha.

⚠ PRECAUCIÓN: Sujete la herramienta firmemente con ambas manos cuando el motor esté en marcha.

⚠ PRECAUCIÓN: No trabaje donde no alcance. Mantenga los pies sobre suelo firme y el equilibrio en todo momento.

⚠ PRECAUCIÓN: Cuando corte a través de ramas, tenga cuidado de no perder el equilibrio a causa del peso del cabezal de la herramienta.

⚠ PRECAUCIÓN: Mantenga siempre una ruta de escape en caso de que una rama cortada caiga hacia el operario.

⚠ PRECAUCIÓN: No utilice nunca la punta de la placa de guía para cortar. De lo contrario, podrá producirse un contragolpe peligroso, y podrá resultar en heridas personales.

AVISO: Nunca arroje o deje caer la herramienta.

AVISO: No cubra las aberturas de ventilación de la herramienta.

AVISO: No fuerce la herramienta. De lo contrario, podrá dañar la herramienta.

Póngase sobre una superficie estable, y mantenga la herramienta alejada de ramas de manera que el ángulo de la herramienta sea de 60° o menos respecto al suelo horizontal.

► **Fig.37:** 1. 60° o menos

Ponga en marcha la herramienta, y después presione ligeramente la cadena de sierra contra la rama.

Cuando corte ramas largas, para poder controlar la posición de caída de las ramas cortadas, divida la rama en secciones y corte la rama comenzando por la punta. Preste atención a las ramas que caen porque pueden rebotar en la dirección del operario después de golpear el suelo.

► **Fig.38**

Cuando corte ramas gruesas, primero haga un corte poco profundo por debajo y después haga el corte final desde la parte superior.

► **Fig.39**

Si intenta cortar ramas gruesas desde la parte inferior, la rama podrá cerrarse y pinzar la cadena de sierra dentro del corte. Si intenta cortar ramas gruesas desde la parte superior sin un corte poco profundo por debajo, la rama se podrá astillar.

► **Fig.40**

Transporte de la herramienta

Antes de transportar la herramienta, retire siempre los cartuchos de batería de la herramienta, después coloque la cubierta de la placa de guía, y después acorte el tubo. Cubra también el cartucho de batería con la cubierta de la batería.

► **Fig.41:** 1. Cubierta de la placa de guía 2. Cubierta

de la batería

Utilización de la herramienta con la unidad portátil de alimentación eléctrica

Accesorio opcional

Utilice la cinta para colgar cuando utilice la herramienta con la unidad portátil de alimentación eléctrica.

Colocación de la cinta colgante

1. Coloque los ganchos de cinta colgante en los anillos del arnés de hombro o correa de cintura como se muestra en la figura. Seleccione el tipo de cinta y el método de conexión apropiados para lo que vaya a hacer.

► **Fig.42:** 1. Anillo 2. Gancho

► **Fig.43:** 1. Anillo 2. Gancho

2. Coloque el gancho en la herramienta.

► **Fig.44:** 1. Gancho

Para desprender la herramienta

Cuando vaya a poner la herramienta en el suelo, desbloquee la hebilla de la cinta para colgar con una mano mientras sujeta la herramienta con la otra mano.

► **Fig.45:** 1. Hebilla

NOTA: La hebilla no estará incluida dependiendo del tipo de cinta.

Si necesita soltar la herramienta rápidamente, siga los pasos de abajo.

1. Presione las palancas de la hebilla de la correa de cintura para desbloquear la hebilla.

► **Fig.46:** 1. Hebilla 2. Palanca

2. Quítese el arnés de hombro para liberar la herramienta y la unidad.

► **Fig.47:** 1. Arnés de hombro

MANTENIMIENTO

⚠ PRECAUCIÓN: Asegúrese siempre de que la herramienta está apagada y de que el cartucho de batería está retirado antes de intentar hacer una inspección o mantenimiento.

⚠ PRECAUCIÓN: Póngase guantes siempre que vaya a realizar cualquier trabajo de inspección o mantenimiento.

AVISO: No utilice nunca gasolina, bencina, disolvente, alcohol o similares. Podría producir descoloración, deformación o grietas.

Para mantener la SEGURIDAD y FIABILIDAD del producto, las reparaciones, y cualquier otra tarea de mantenimiento o ajuste deberán ser realizadas en centros de servicio o de fábrica autorizados por Makita, empleando siempre repuestos Makita.

Afilado de la cadena de sierra

Afile la cadena de sierra cuando:

- Se produzca serrín granuloso al cortar madera húmeda;
- La cadena penetre la madera con dificultad, aun cuando se aplica fuerte presión;
- El borde cortante esté obviamente dañado;
- La sierra tire hacia la izquierda o hacia la derecha en la madera. (causado por un afilado desigual de la cadena de sierra o daño en un solo lado)

Afile la cadena de sierra con frecuencia pero un poco cada vez. Dos o tres pasadas con una lima son generalmente suficientes para un nuevo afilado rutinario. Cuando la cadena de sierra haya sido nuevamente afilada varias veces, haga que se la afilen nuevamente en nuestro centro de servicio autorizado.

Criterios para afilar:

⚠ ADVERTENCIA: Una distancia excesiva entre el borde cortante y el calibre de profundidad aumentará el riesgo de un retroceso brusco.

► **Fig.48:** 1. Longitud de la cuchilla 2. Distancia entre el borde cortante y el calibre de profundidad 3. Longitud mínima de la cuchilla (3 mm)

- La longitud de todas las cuchillas debe ser igual. Las longitudes de cuchilla diferentes evitan que la cadena de sierra gire suavemente y pueden ocasionar que la cadena de sierra se rompa.
- No afile la cadena cuando la longitud de la cuchilla haya quedado en 3 mm o más corta. La cadena debe ser reemplazada con una nueva.
- El espesor de la viruta se determina mediante la distancia entre el calibre de profundidad (morro redondeado) y el borde cortante.
- Los mejores resultados de corte se obtienen con la distancia siguiente entre el borde cortante y el calibre de profundidad.
 - Hoja de la cadena 90PX / 91PX / M41 / M43: 0,65 mm

► Fig.49

- El ángulo de afilado de 30° deberá ser igual en todas las cuchillas. Los ángulos diferentes de las cuchillas ocasionan que la cadena se desplace brusca y desigualmente, aceleran el desgaste, y acarrear roturas de cadena.
- Utilice una lima redonda apropiada de forma que se mantenga el ángulo de afilado apropiado contra los dientes.
 - Hoja de la cadena 90PX / 91PX / M41 / M43: 55°

Lima y guía de limado

- Utilice una lima redonda especial (accesorio opcional) para cadenas de sierra para afilar la cadena. Las limas redondas normales no son apropiadas.
- El diámetro de la lima redonda para cada cadena de sierra es como sigue:
 - Hoja de la cadena 90PX: 4,5 mm
 - Hoja de la cadena 91PX / M41 / M43: 4,0 mm
- La lima solamente deberá tocar la cuchilla en el movimiento de avance. Levante la lima de la

cuchilla en el movimiento de retroceso.

- Afile primero la cuchilla más corta. Después la longitud de esta cuchilla más corta pasa a ser la longitud estándar para todas las cuchillas de la cadena de sierra.
- Guíe la lima como se muestra en la figura.
► **Fig.50:** 1. Lima 2. Cadena de sierra
- La lima podrá ser guiada más fácilmente si se emplea un soporte de lima (accesorio opcional). El soporte de lima tiene marcas para el ángulo de afilado correcto de 30° (alinee las marcas paralelas a la cadena de sierra) y limita la profundidad de penetración (a 4/5 del diámetro de la lima).
► **Fig.51:** 1. Soporte de lima
- Después de afilar la cadena, compruebe la altura del calibre de profundidad utilizando la herramienta de calibración de cadena (accesorio opcional).
► **Fig.52**
- Quite cualquier material que sobresalga, por pequeño que sea, con una lima plana especial (accesorio opcional).
- Redondee la parte frontal del calibre de profundidad otra vez.

Limpieza de la placa de guía

En la acanaladura de la placa de guía se acumularán virutas y serrín. Estos podrán atascar la acanaladura de la placa y obstaculizar el flujo de aceite. Limpie las virutas y el serrín cada vez cuando afile o reemplace la cadena de sierra.

► **Fig.53**

Limpieza de la cubierta del piñón

Dentro de la cubierta del piñón se acumularán virutas y serrín. Retire la cubierta del piñón y la cadena de sierra de la herramienta y después limpie las virutas y el serrín.

► **Fig.54**

Limpieza del agujero de vaciado de aceite

Durante la operación se pueden acumular polvo fino o partículas en el agujero de vaciado de aceite. Este polvo o partículas pueden obstaculizar el flujo de aceite y ocasionar una lubricación insuficiente en toda la cadena de sierra. Cuando se produzca un deficiente suministro de aceite de cadena en la parte superior de la placa de guía, limpie el agujero de vaciado de aceite de la forma siguiente.

1. Quite la cubierta del piñón y la cadena de sierra de la herramienta.

2. Retire el polvo fino o las partículas utilizando un destornillador de punta plana o similar.

► **Fig.55:** 1. Destornillador de punta plana 2. Agujero de vaciado de aceite

3. Inserte el cartucho de batería en la herramienta. Apriete el gatillo interruptor para que el polvo o las partículas acumulados fluya del agujero de vaciado de aceite vaciando aceite de cadena.

- Retire el cartucho de batería de la herramienta. Vuelva a instalar la cubierta del piñón y la cadena de sierra en la herramienta.

► Fig.56: 1. Piñón 2. Áreas que se van a desgastar

Reemplazo del piñón

⚠PRECAUCIÓN: Un piñón desgastado dañará una cadena de sierra nueva. En este caso pida que le reemplacen el piñón.

Antes de colocar una cadena de sierra nueva, compruebe la condición del piñón. Si el piñón está desgastado o dañado, pida al centro de servicio autorizado de Makita que se lo reemplacen.

Almacenamiento de la herramienta

- Limpie la herramienta antes de almacenarla. Quite todas las virutas y serrín de la herramienta después de retirar la cubierta del piñón.
- Después de limpiar la herramienta, póngala en marcha sin carga para lubricar la cadena de sierra y la placa de guía.
- Cubra la placa de guía con la cubierta de la placa de guía, y después acorte el tubo.
- Vacíe el depósito de aceite.

Instrucciones para el mantenimiento periódico

Para asegurar una larga vida de servicio, evitar daños y garantizar el completo funcionamiento de las características de seguridad, el mantenimiento siguiente deberá ser realizado regularmente. La reclamación de la garantía solamente será reconocida si este trabajo es realizado regular y debidamente. ¡No realizar el trabajo de mantenimiento prescrito puede acarrear accidentes! El usuario de la herramienta no deberá realizar trabajo de mantenimiento que no esté descrito en el manual de instrucciones. Todos esos trabajos deberán ser realizados por nuestro centro de servicio autorizado.

Elemento a comprobar / Tiempo de operación		Antes de la operación	Cada día	Cada semana	Cada 3 meses	Anualmente	Antes del almacenamiento
Toda la herramienta	Inspección	✓	-	-	-	-	-
	Limpieza	-	✓	-	-	-	-
	Compruebe en el centro de servicio autorizado.	-	-	-	-	✓	✓
Cadena de sierra	Inspección	✓	-	-	-	-	-
	Afilarse si es necesario.	-	-	-	-	-	✓
Placa de guía	Inspección	✓	✓	-	-	-	-
	Retírela de la herramienta.	-	-	-	-	-	✓
Lubricación de la cadena	Compruebe la frecuencia del suministro de aceite.	✓	-	-	-	-	-
Gatillo interruptor	Inspección	✓	-	-	-	-	-
Palanca de desbloqueo	Inspección	✓	-	-	-	-	-
Tapón del depósito de aceite	Compruebe el apriete.	✓	-	-	-	-	-
Tornillos y tuercas	Inspección	-	-	✓	-	-	-

SOLUCIÓN DE PROBLEMAS

Antes de solicitar reparaciones, realice su propia inspección en primer lugar. Si encuentra un problema que no está explicado en el manual, no intente desmontar la herramienta. En su lugar, pregunte en los centros de servicio autorizados Makita, utilizando siempre piezas de recambio Makita para las reparaciones.

Estado de mal funcionamiento	Causa	Acción
La herramienta no se pone en marcha.	El cartucho de batería no está instalado.	Instale un cartucho de batería cargado.
	Problema de batería (poca tensión).	Recargue los cartuchos de batería. Si la recarga no se realiza efectivamente, reemplace el cartucho de batería.
	El interruptor de alimentación principal está desactivado.	La herramienta se apaga automáticamente si se deja sin operar durante un cierto periodo de tiempo. Active el interruptor de alimentación principal otra vez.
El motor se para después de usarlo un poco.	El nivel de carga de la batería es bajo.	Recargue los cartuchos de batería. Si la recarga no se realiza efectivamente, reemplace el cartucho de batería.
No hay aceite en la cadena.	El depósito de aceite está vacío.	Llene el depósito de aceite.
	La ranura de guía del aceite está sucia.	Limpie la ranura.
	Poco suministro de aceite.	Ajuste la cantidad de suministro de aceite con el tornillo de ajuste.
La herramienta no alcanza el máximo de RPM.	El cartucho de batería está instalado incorrectamente.	Instale los cartuchos de batería como se describe en este manual.
	La potencia de la batería está cayendo.	Recargue el cartucho de batería. Si la recarga no se realiza efectivamente, reemplace el cartucho de batería.
	El sistema de accionamiento no responde correctamente.	Pida al centro de servicio autorizado en su región que le hagan la reparación.
La lámpara de alimentación principal está parpadeando en verde.	El gatillo interruptor ha sido apretado en una condición no operable.	Apriete el gatillo interruptor después de activar el interruptor de alimentación principal.
Vibración anormal: ¡Detenga la herramienta inmediatamente!	Placa de guía o cadena de sierra floja.	Ajuste la placa de guía y la tensión de la cadena de sierra.
	Mal funcionamiento de la herramienta.	Pida al centro de servicio autorizado en su región que le hagan la reparación.
El modo Servopar no está disponible después de reemplazar el cartucho de batería con uno cargado completamente.	Dependiendo de las condiciones de utilización, el modo Servopar no estará disponible después de reemplazar el cartucho de batería.	Utilice la herramienta en el modo normal hasta que el cartucho de batería instalado se agote, y después reemplace el cartucho de batería con uno cargado completamente, o recargue el cartucho de batería.
La cadena de sierra no se puede instalar.	La combinación de cadena de sierra y piñón no es correcta.	Utilice la combinación correcta de cadena de sierra y piñón consultando la sección para especificaciones.

ACCESORIOS OPCIONALES

⚠PRECAUCIÓN: Estos accesorios o aditamentos están recomendados para su uso con la herramienta Makita especificada en este manual. El uso de cualquier otro accesorio o aditamento puede suponer un riesgo de heridas personales. Utilice el accesorio o aditamento solamente con la finalidad indicada para el mismo.

Si necesita cualquier ayuda para más detalles en relación con estos accesorios, pregunte al centro de servicio Makita local.

- Cadena de sierra
- Placa de guía
- Cubierta de la placa de guía
- Accesorio acodado
- Lima
- Batería y cargador genuinos de Makita

⚠ADVERTENCIA: Si compra una placa de guía de una longitud diferente de la de la placa de guía estándar, compre también junto con ella una cubierta de la placa de guía apropiada. Esta deberá encajar y cubrir completamente la placa de guía de la herramienta.

NOTA: Algunos elementos de la lista podrán estar incluidos en el paquete de la herramienta como accesorios estándar. Pueden variar de un país a otro.

ESPECIFICAÇÕES

Modelo:		DUA301
Comprimento total (sem barra de guia e acessório)		2.530 - 3.760 mm
Tensão nominal		CC 36 V
Peso líquido	*1	7,8 kg
	*2	7,8 - 9,0 kg
Comprimento da barra de guia padrão		30 cm
Comprimento da barra de guia recomendado	com 90PX / 91PX / M41 / M43	25 - 30 cm
Tipo de corrente de serra aplicável (consulte a tabela seguinte)		90PX / 91PX / M41 / M43
Velocidade da corrente		0 - 20 m/s (0 - 1.200 m/min)
Volume do depósito de óleo da corrente		160 cm ³

- Devido a um programa contínuo de pesquisa e desenvolvimento, estas especificações estão sujeitas a alteração sem aviso prévio.
- As especificações podem diferir de país para país.

*1: Peso, com a bateria maior e depósito de óleo vazio, e sem barra de guia, corrente, arnês para o ombro e acessório, de acordo com a EN ISO11680-1.

*2: A combinação de peso mais leve e mais pesada, de acordo com o Procedimento EPTA 01/2014. O peso poderá diferir em função do(s) acessório(s), incluindo a bateria.

Bateria e carregador aplicável

Bateria	BL1820B / BL1830B / BL1840B / BL1850B / BL1860B
Carregador	DC18RC / DC18RD / DC18RE / DC18SD / DC18SE / DC18SF / DC18SH / DC18WC

- Algumas das baterias e carregadores listados acima poderão não estar disponíveis, dependendo da sua região de residência.

⚠AVISO: Utilize apenas as baterias e carregadores listados acima. A utilização de quaisquer outras baterias e carregadores pode causar ferimentos e/ou um incêndio.

Fonte de alimentação ligada por fio recomendada

Adaptador de baterias tipo mochila	PDC01 / PDC1200 / PDC1500
------------------------------------	---------------------------

- A(s) fonte(s) de alimentação ligada(s) por fio listada(s) acima pode(m) não estar disponível(eis) dependendo da sua região de residência.
- Antes de utilizar a fonte de alimentação ligada por fio, leia as instruções e etiquetas de precaução na mesma.

Combinação de corrente de serra, barra de guia e roda de corrente

Tipo de corrente de serra		90PX / M41	
Número de elos de ligação		40	46
Barra de guia	Comprimento da barra de guia	25 cm	30 cm
	Comprimento de corte	240 mm	296 mm
	Passo	3/8"	
	Calibre	1,1 mm	
	Tipo	Barra do nariz da roda de corrente	
Roda de corrente	Número de dentes	6	
	Passo	3/8"	

Tipo de corrente de serra		91PX / M43	
Número de elos de ligação		40	46
Barra de guia	Comprimento da barra de guia	25 cm	30 cm
	Comprimento de corte	240 mm	296 mm
	Passo	3/8"	
	Calibre	1,3 mm	
	Tipo	Barra do nariz da roda de corrente	
Roda de corrente	Número de dentes	6	
	Passo	3/8"	

AVISO: Utilize a combinação adequada da barra de guia e da corrente de serra. Caso contrário, pode resultar em ferimentos pessoais.

Símbolos

A seguir são apresentados os símbolos que podem ser utilizados para o equipamento. Certifique-se de que compreende o seu significado antes da utilização.

	Não exponha à humidade.
	Leia o manual de instruções.
	Use capacetes, óculos de proteção e proteção auricular.
	Use luvas de proteção.
	Use botas robustas com solas antideslizantes. Recomendamos botas com biqueira de aço.
	Tenha cuidado com as linhas elétricas, risco de choque elétrico.
	Mantenha uma distância de, pelo menos, 15 m.
	Comprimento máximo de corte admissível
	Sentido de movimento da corrente
	Depósito de óleo de corrente
	Superfícies quentes - queimaduras nos dedos ou mãos.



Apenas para países da UE
Devido à presença de componentes perigosos no equipamento, os resíduos de equipamentos elétricos e eletrónicos, acumuladores e baterias podem ter um impacto negativo no meio ambiente e na saúde humana.

Não elimine aparelhos elétricos e eletrónicos ou baterias juntamente com resíduos domésticos!

De acordo com a Diretiva europeia relativa aos resíduos de equipamentos elétricos e eletrónicos, acumuladores e baterias, bem como a respetiva adaptação à legislação nacional, os resíduos de equipamentos elétricos e eletrónicos, acumuladores e baterias devem ser armazenados separadamente e entregues num ponto de recolha separado para resíduos municipais, que opere de acordo com os regulamentos de proteção ambiental.

Tal é indicado pelo símbolo de contentor de lixo com rodas barrado com uma cruz colocado no equipamento.



Nível de potência sonora garantido de acordo com a Diretiva de ruído ambiente da UE.



Nível de potência sonora de acordo com o Regulamento de controlo do ruído de NSW da Austrália

Utilização a que se destina

A ferramenta tem como função podar ramos e galhos.

Ruído

A característica do nível de ruído A determinado de acordo com a ISO22868(ISO11680-1):

Nível de pressão acústica (L_{pA}) : 92 dB (A)

Nível de potência acústica (L_{WA}) : 103 dB (A)

Variabilidade (K): 3 dB (A)

NOTA: O(s) valor(es) da emissão de ruído indicado(s) foi medido de acordo com um método de teste padrão e pode ser utilizado para comparar duas ferramentas.

NOTA: O(s) valor(es) da emissão de ruído indicado(s) pode também ser utilizado na avaliação preliminar da exposição.

⚠️ AVISO: Utilize protetores auriculares.

⚠️ AVISO: A emissão de ruído durante a utilização real da ferramenta elétrica pode diferir do(s) valor(es) indicado(s), dependendo das formas como a ferramenta é utilizada, especialmente o tipo de peça de trabalho que é processada.

⚠️ AVISO: Certifique-se de identificar as medidas de segurança para proteção do operador que sejam baseadas em uma estimativa de exposição em condições reais de utilização (considerando todas as partes do ciclo de operação, tal como quando a ferramenta está desligada e quando está a funcionar em marcha lenta além do tempo de acionamento).

Vibração

Pega esquerda (punho frontal)		Pega direita (punho traseiro)		Padrão aplicável
ah (m/s ²)	K de incerteza (m/s ²)	ah (m/s ²)	K de incerteza (m/s ²)	
2,5 ou menos	1,5	2,8	1,5	ISO22867(ISO11680-1)

NOTA: O(s) valor(es) total(ais) de vibração indicado(s) foi medido de acordo com um método de teste padrão e pode ser utilizado para comparar duas ferramentas.

NOTA: O(s) valor(es) total(ais) de vibração indicado(s) pode também ser utilizado na avaliação preliminar da exposição.

⚠️ AVISO: A emissão de vibração durante a utilização real da ferramenta elétrica pode diferir do(s) valor(es) indicado(s), dependendo das formas como a ferramenta é utilizada, especialmente o tipo de peça de trabalho que é processada.

⚠️ AVISO: Certifique-se de identificar as medidas de segurança para proteção do operador que sejam baseadas em uma estimativa de exposição em condições reais de utilização (considerando todas as partes do ciclo de operação, tal como quando a ferramenta está desligada e quando está a funcionar em marcha lenta além do tempo de acionamento).

Declarações de conformidade

Apenas para os países europeus

As Declarações de conformidade estão incluídas no Anexo A deste manual de instruções.

AVISOS DE SEGURANÇA

Avisos gerais de segurança para ferramentas elétricas

⚠️ AVISO Leia todos os avisos de segurança, instruções, ilustrações e especificações fornecidos com esta ferramenta elétrica. O incumprimento de todas as instruções abaixo enumeradas pode resultar em choque elétrico, incêndio e/ou ferimentos graves.

Guarde todos os avisos e instruções para futuras referências.

O termo "ferramenta elétrica" nos avisos refere-se às ferramentas elétricas ligadas à corrente elétrica (com cabo) ou às ferramentas elétricas operadas por meio de bateria (sem cabo).

Avisos de segurança da motopoda a bateria

Precauções gerais

1. Antes de efetuar o arranque da ferramenta, leia este manual de instruções para se familiarizar com o manuseamento da ferramenta.
2. Não empreste a ferramenta a uma pessoa com experiência ou conhecimentos insuficientes no que se refere ao manuseamento da ferramenta.
3. Quando emprestar a ferramenta, anexe sempre este manual de instruções.
4. Não permita que crianças ou jovens com menos de 18 anos utilizem a ferramenta. Mantenha-os afastados da ferramenta.
5. Manuseie a ferramenta com o máximo de cuidado e atenção.
6. Nunca utilize a ferramenta depois de consumir álcool ou drogas ou se se sentir cansado ou doente.
7. Nunca tente modificar a ferramenta.
8. Não utilize a ferramenta em más condições atmosféricas, especialmente quando existe o risco de relâmpagos. Isto reduz o risco de ser atingido por um relâmpago.
9. Os regulamentos nacionais podem limitar a

utilização da ferramenta. Siga os regulamentos referentes ao manuseamento da ferramenta no seu país.

Equipamento de proteção pessoal

1. Utilize capacete de proteção, óculos de proteção e luvas de proteção para se proteger contra detritos projetados ou queda de objetos.
2. Utilize proteção auditiva, tais como tampões para os ouvidos, para evitar a perda de audição.
3. Utilize vestuário e calçado adequados para o funcionamento seguro, tais como uniforme de trabalho e calçado resistente antideslizante. Não utilize vestuário solto nem joias. O vestuário solto, as joias ou o cabelo comprido podem ficar presos nas peças móveis.
4. Quando manusear a corrente de serra ou ajustar a tensão da corrente, utilize luvas de proteção. A corrente de serra pode cortar as mãos desprotegidas gravemente.

Segurança da área de trabalho

1. Mantenha a ferramenta a, pelo menos, 15 m de distância de linhas elétricas e cabos de comunicação (incluindo quaisquer ramos que entrem em contacto com os mesmos). Tocor ou aproximar-se de linhas de alta tensão com a ferramenta pode resultar em morte ou ferimentos graves. Observe onde estão as linhas elétricas e as cercas eletrificadas em volta da área de trabalho antes de iniciar a operação.
2. Opere a ferramenta apenas em condições de boa visibilidade e durante o dia. Não opere a ferramenta em ambiente escuro ou de nevoeiro.
3. Durante a operação, nunca permaneça numa superfície instável ou escorregadia, nem numa encosta íngreme. Durante a época fria, tenha cuidado com o gelo e a neve e garanta sempre uma base segura.
4. Durante a operação, mantenha os espetadores ou animais a, pelo menos, 15 m de distância da ferramenta. Pare a ferramenta assim que alguém se aproximar.
5. Quando trabalhar com duas ou mais pessoas, mantenha uma distância de, pelo menos, 15 m ou mais entre si e designe um supervisor.
6. Antes da operação, examine a área de trabalho para ver se há cercas de arame, paredes ou outros objetos sólidos. Estes podem danificar a corrente de serra.

Preparação

1. Antes de montar ou ajustar a ferramenta, desligue a ferramenta e remova a bateria.
2. Antes de manusear a corrente de serra ou ajustar a tensão da corrente, utilize luvas de proteção.
3. Antes de efetuar o arranque da ferramenta, inspecione a ferramenta quanto a danos, parafusos/porcas soltos ou montagem inadequada. Afie a corrente de serra romba. Se a corrente de serra estiver curva ou danificada, substitua-a. Verifique todas as alavancas de controlo e interruptores quanto a um funcionamento fácil. Limpe e seque os punhos.

4. Nunca tente ligar a ferramenta se a ferramenta estiver danificada ou não estiver completamente montada. Caso contrário, pode resultar em ferimentos graves.
5. Ajuste o arnês para o ombro de modo a adequar-se ao tamanho do corpo do operador.
6. Ajuste corretamente a tensão da corrente. Reabasteça o óleo de corrente, se necessário.

Arrancar a ferramenta

1. Utilize os equipamentos de proteção pessoal antes de efetuar o arranque da ferramenta.
2. Antes de efetuar o arranque da ferramenta, certifique-se de que não existem pessoas ou animais na área de trabalho.
3. Quando instalar a bateria, mantenha a corrente de serra e a barra de guia afastadas do seu corpo e de outros objetos, incluindo o solo. A corrente de serra pode mover-se quando efetuar o arranque e pode provocar ferimentos graves ou danos na corrente de serra e/ou à propriedade.
4. Coloque a ferramenta em solo firme. Mantenha um bom equilíbrio e uma base segura.

Operação

1. Caso ocorra uma emergência, desligue imediatamente a ferramenta.
2. Se notar alguma condição fora do comum (por exemplo, ruído, vibração) durante a operação, desligue a ferramenta. Não utilize a ferramenta até a causa ser reconhecida e solucionada.
3. A corrente de serra continua a mover-se durante um curto período após desligar a ferramenta. Não tenha pressa em tocar na corrente de serra.
4. Durante a operação, utilize o arnês para o ombro. Mantenha a ferramenta firmemente no seu lado direito.
5. Segure o punho dianteiro com a mão esquerda e o punho traseiro com a mão direita independentemente de ser canhoto ou destro. Enrole os dedos e os polegares em volta dos punhos.
6. Segure a ferramenta apenas pelas superfícies de agarrar isoladas, porque a corrente de serra pode entrar em contacto com fios ocultos. O contacto de uma corrente de serra com um fio sob tensão pode colocar sob tensão as peças metálicas expostas da podadeira de maior alcance e pode provocar um choque elétrico no operador.
7. Nunca tente operar a ferramenta com uma mão. A perda de controlo pode resultar em ferimentos graves ou fatais. Para reduzir o risco de ferimentos, mantenha as mãos e os pés afastados da corrente de serra.
8. Não se estique demasiado. Mantenha sempre os pés firmes e em equilíbrio. Cuidado com os obstáculos ocultos como tocos de árvores, raízes e valas para evitar tropeçar. Remova ramos caídos e outros objetos.
9. Nunca trabalhe em cima de uma escada ou árvore para evitar a perda de controlo.
10. Se a ferramenta receber um impacto forte ou cair, verifique o estado antes de continuar a trabalhar. Se detetar danos ou suspeitar da existência destes, solicite a respetiva inspeção e reparação ao centro de assistência

autorizado da Makita.

11. **Não toque na cabeça da ferramenta.** A cabeça da ferramenta fica quente durante a operação.
12. **Descanse para evitar a perda de controle provocada pela fadiga.** Recomendamos que faça uma pausa de 10 a 20 minutos por hora.
13. **Quando deixar a ferramenta, mesmo que seja por um curto espaço de tempo, desligue sempre a ferramenta e remova a bateria.** A ferramenta sem supervisão com o motor a funcionar pode ser utilizada por pessoas não autorizadas e provocar acidentes graves.
14. **Quando operar a ferramenta, não levante a sua mão direita acima da altura do ombro.**
15. **Durante a operação, nunca bata com a corrente de serra contra obstáculos duros como pedras e pregos. Tenha especial cuidado quando cortar ramos junto a paredes, cercas de arame ou algo do género.**
16. **Se os ramos ficarem presos na ferramenta, pare sempre a ferramenta e remova a bateria.** Caso contrário, o arranque involuntário pode causar ferimentos graves.
17. **Se a corrente de serra ficar obstruída, desligue sempre a ferramenta e remova a bateria antes da limpeza.**
18. **Acelerar a ferramenta com a corrente de serra bloqueada aumenta a carga e irá danificar a ferramenta.**
19. **Antes de cortar galhos, mantenha uma área de evacuação afastada do galho a cair. Primeiro, limpe as obstruções como galhos e ramos da área de trabalho. Mova todas as ferramentas e bens da área de evacuação para outro local seguro.**
20. **Antes de cortar ramos e galhos, verifique a respetiva direção de queda tendo em consideração o estado dos ramos e galhos, as árvores adjacentes, a direção do vento, etc. Preste total atenção à direção de queda e ao ressalto do ramo que bate no solo.**
21. **Nunca segure a ferramenta num ângulo superior a 60°. Caso contrário, os objetos em queda podem bater no operador e provocar ferimentos graves. Nunca permaneça por baixo do galho a ser cortado.**
22. **Preste atenção a ramos partidos ou curvados.** Estes podem saltar para trás ao cortar, provocando ferimentos inesperados.
23. **Antes de cortar os galhos que pretende cortar, remova os ramos e as folhas à volta dos mesmos.** Caso contrário, a corrente de serra pode ficar presa nos mesmos.
24. **Para evitar que a corrente de serra fique presa no corte, não solte a alavanca antes de retirar a corrente de serra do corte.**
25. **Se a corrente de serra estiver torta no corte, pare imediatamente a ferramenta, mova cuidadosamente o ramo para abrir o corte e solte a corrente de serra.**
26. **Evite o ressalto (força reativa de rotação na direção do operador). Para evitar o ressalto, nunca utilize o nariz da barra de guia nem efetue um corte penetrante. Tenha sempre**

cuidado com a posição do nariz da barra de guia.

27. **Verifique frequentemente a tensão da corrente.** Quando verificar ou ajustar a tensão da corrente, desligue a ferramenta e remova a bateria. Se a tensão estiver frouxa, aperte-a.

Vibração

1. **A exposição a vibração excessiva lesiona os vasos sanguíneos ou o sistema nervoso do operador e provoca os seguintes sintomas (dormência), formigueliro, dor, sensação aguda, ou alteração da cor da pele ou alteração da pele. Se ocorrer qualquer um destes sintomas, consulte um médico.** Para reduzir o risco de “doença do dedo branco”, mantenha as mãos quentes durante o funcionamento, e efetue a manutenção adequada da ferramenta e dos acessórios. Relativamente ao tempo de funcionamento, siga os regulamentos locais ou o aconselhamento do médico.

Transporte

1. **Antes de transportar a ferramenta, desligue a ferramenta e remova a bateria. Coloque sempre a cobertura da barra de guia durante o transporte.**
2. **Quando transportar a ferramenta, faça-o numa posição horizontal segurando-a pelo punho.**

Manutenção

1. **Solicite a manutenção do seu equipamento por parte do nosso centro de assistência autorizado utilizando sempre somente peças de substituição genuínas.** Uma reparação incorreta e uma má manutenção podem reduzir a vida útil da ferramenta e aumentar o risco de acidentes.
2. **Antes de realizar quaisquer trabalhos de manutenção ou reparação ou de limpar a ferramenta, desligue sempre a ferramenta e remova a bateria. Guarde até a ferramenta arrefecer.**
3. **Utilize sempre luvas de proteção quando manusear a corrente de serra.**
4. **Após cada utilização, aperte todos os parafusos e porcas, exceto os parafusos de ajuste.**
5. **Mantenha a corrente de serra afiada. Se a corrente de serra tiver ficado romba e o desempenho de corte for fraco, solicite ao centro de assistência autorizado da Makita para a afiar ou substituir por uma nova.**
6. **Não tente realizar qualquer manutenção ou reparação que não estejam descritas neste manual de instruções. Peça ao centro de assistência autorizado da Makita para realizar esse trabalho.**
7. **Utilize sempre somente peças sobressalentes e acessórios genuínos da Makita.** A utilização de peças ou acessórios fornecidos por terceiros pode resultar na avaria da ferramenta, em danos à propriedade e/ou em ferimentos graves.

Armazenamento

1. **Antes de armazenar a ferramenta, realize uma limpeza e manutenção totais. Coloque a cobertura da barra de guia. Remova a bateria. Drene o óleo de corrente após a ferramenta arrefecer.**

2. **Armazene a ferramenta num local seco e alto ou trancado, longe do alcance das crianças.**
3. **Não deixe a ferramenta encostada a nada, como uma parede.** Caso contrário, pode cair repentinamente e provocar ferimentos.
7. **Não queime a bateria mesmo que esteja estragada ou completamente gasta. A bateria pode explodir no fogo.**
8. **Não pregue, corte, esmague, atire, deixe cair a bateria, nem bata a bateria contra um objeto rijo.** Esta conduta pode resultar num incêndio, em calor excessivo ou numa explosão.

Segurança elétrica e da bateria

1. **Não elimine a(s) bateria(s) no fogo.** A célula pode explodir. Verifique com os códigos locais as possíveis instruções de eliminação especiais.
2. **Não abra nem mutile a(s) bateria(s).** O eletrólito libertado é corrosivo e pode provocar danos nos olhos ou na pele. Pode ser tóxico se for engolido.
3. **Não carregue a bateria sob chuva ou em locais húmidos.**
4. **Não carregue a bateria ao ar livre.**
5. **Não toque no carregador, incluindo a ficha do carregador e os terminais do carregador, com as mãos molhadas.**
6. **Evite ambientes perigosos. Não utilize a ferramenta em locais húmidos ou molhados, nem a exponha à chuva. A água que entra na ferramenta aumenta o risco de choque elétrico.**

GUARDE ESTAS INSTRUÇÕES.

⚠️ AVISO: NÃO permita que conforto ou familiaridade com o produto (adquirido com o uso repetido) substitua a aderência estrita às regras de segurança da ferramenta. **MÁ INTERPRETAÇÃO** ou não seguimento das regras de segurança estabelecidas neste manual de instruções pode causar danos pessoais sérios.

Instruções de segurança importantes para a bateria

1. **Antes de utilizar a bateria, leia todas as instruções e etiquetas de precaução no (1) carregador de bateria (2) bateria e (3) produto que utiliza a bateria.**
2. **Não desmonte ou manipule a bateria.** Pode resultar num incêndio, em calor excessivo ou numa explosão.
3. **Se o tempo de funcionamento se tornar excessivamente curto, pare o funcionamento imediatamente. Pode resultar em sobreaquecimento, possíveis queimaduras e mesmo explosão.**
4. **Se entrar eletrólito nos seus olhos, lave-os com água e consulte imediatamente um médico. Pode resultar em perda de visão.**
5. **Não coloque a bateria em curto-circuito:**
 - (1) **Não toque nos terminais com qualquer material condutor.**
 - (2) **Evite guardar a bateria juntamente com outros objetos metálicos tais como pregos, moedas, etc.**
 - (3) **Não exponha a bateria à água ou chuva. Um curto-circuito pode ocasionar um enorme fluxo de corrente, sobreaquecimento, possíveis queimaduras e mesmo estragar-se.**
6. **Não guarde nem utilize a ferramenta e a bateria em locais onde a temperatura pode atingir ou exceder 50 °C.**
9. **Não utilize uma bateria danificada.**
10. **As baterias de iões de lítio contidas na ferramenta são sujeitas aos requisitos da DGL (Dangerous Goods Legislation - Legislação de bens perigosos).**

Para o transporte comercial, por exemplo, por terceiros ou agentes de expedição, têm de ser observados os requisitos referentes à embalagem e etiquetagem.

Para preparação do artigo a ser expedido, é necessário consultar um perito em materiais perigosos. Tenha ainda em conta a possibilidade de existirem regulamentos nacionais mais detalhados.

Coloque fita-cola ou tape os contactos abertos e embale a bateria de tal forma que não possa mover-se dentro da embalagem.
11. **Quando eliminar a bateria, remova-a da ferramenta e elimine-a num local seguro. Siga os regulamentos locais relacionados com a eliminação de baterias.**
12. **Utilize as baterias apenas com os produtos especificados pela Makita.** Instalar as baterias em produtos não-conformes poderá resultar num incêndio, calor excessivo, explosão ou fuga de eletrólito.
13. **Se a ferramenta não for utilizada durante um período de tempo prolongado, a bateria deve ser removida da ferramenta.**
14. **Durante e após a utilização, a bateria pode aquecer, o que pode provocar queimaduras ou queimaduras a baixa temperatura. Preste atenção ao manuseamento de baterias quentes.**
15. **Não toque no terminal da ferramenta imediatamente após a utilização, pois pode ficar suficientemente quente para provocar queimaduras.**
16. **Não permita a adesão de aparas, pó ou sujidade nos terminais, nos orifícios e nas ranhuras da bateria.** Poderá fazer com que a ferramenta ou a bateria aqueça, incendeie, rebente e avarie, resultando em queimaduras ou ferimentos corporais.
17. **A menos que a ferramenta suporte a utilização perto de linhas elétricas de alta tensão, não utilize a bateria perto de linhas elétricas de alta tensão.** Pode resultar no mau funcionamento ou na avaria da ferramenta ou bateria.
18. **Mantenha a bateria afastada das crianças.**

GUARDE ESTAS INSTRUÇÕES.

⚠️ PRECAUÇÃO: Utilize apenas baterias genuínas da Makita. A utilização de baterias não genuínas da Makita ou de baterias que foram alteradas, pode resultar no rebentamento da bateria provocando incêndios, ferimentos pessoais e danos. Além disso, anulará a garantia da Makita no que se refere à ferramenta e ao carregador Makita.

Conselhos para manter a máxima vida útil da bateria

1. Carregue a bateria antes que esteja completamente descarregada. Pare sempre o funcionamento da ferramenta e carregue a bateria quando notar menos poder na ferramenta.
2. Nunca carregue uma bateria completamente carregada. Carregamento excessivo diminui a

vida útil da bateria.

3. Carregue a bateria à temperatura ambiente de 10 °C – 40 °C. Deixe que uma bateria quente arrefeça antes de a carregar.
4. Quando não utilizar a bateria, remova-a da ferramenta ou do carregador.
5. Carregue a bateria se não a utilizar durante um longo período de tempo (mais de seis meses).

DESCRIÇÃO DAS PEÇAS

► Fig.1

1	Lâmpada de alimentação principal	2	Indicador de modo	3	Interruptor de alimentação principal
4	Anexo	5	Alavanca de segurança	6	Bateria
7	Gatilho do interruptor	8	Punho traseiro	9	Corrente de serra
10	Barra de guia	11	Tampão do depósito de óleo	12	Anel de bloqueio
13	Porca de retenção	14	Parafuso de ajuste da corrente	15	Cobertura da barra de guia
16	Punho dianteiro	-	-	-	-

DESCRIÇÃO FUNCIONAL

⚠PRECAUÇÃO: Certifique-se sempre de que a ferramenta está desligada e a bateria foi retirada antes de regular ou verificar qualquer função na ferramenta.

Instalação ou remoção da bateria

⚠PRECAUÇÃO: Desligue sempre a ferramenta antes de colocar ou retirar a bateria.

⚠PRECAUÇÃO: Segure firmemente a ferramenta e a bateria quando instalar ou remover a bateria. Se não segurar firmemente a ferramenta e a bateria pode fazer com que escorreguem das suas mãos resultando em danos na ferramenta e na bateria e ferimentos pessoais.

Para instalar a bateria, alinhe a lingueta na bateria com a ranhura na caixa e deslize-a para a posição correta. Insira-a por completo até bloquear na posição correta com um pequeno clique. Se conseguir ver o indicador vermelho conforme apresentado na figura, não está completamente bloqueada.

Para retirar a bateria, deslize-a para fora da ferramenta enquanto desliza o botão na frente da bateria.

► Fig.2: 1. Indicador vermelho 2. Botão 3. Bateria

⚠PRECAUÇÃO: Instale sempre a bateria até ao fim, até deixar de ver o indicador vermelho.

Caso contrário, a bateria poderá cair da ferramenta acidentalmente e provocar ferimentos em si mesmo ou em alguém próximo.

⚠PRECAUÇÃO: Não instale a bateria à força. Se a bateria não deslizar facilmente é porque não foi colocada corretamente.

Indicação da capacidade restante da bateria

Apenas para baterias com indicador

Prima o botão de verificação na bateria para indicar a capacidade restante da bateria. As luzes indicadoras acendem durante alguns segundos.

► Fig.3: 1. Luzes indicadoras 2. Botão de verificação

Luzes indicadoras			Capacidade restante
Aceso	Apagado	A piscar	
■	□	▧	75% a 100%
■ ■ ■ ■	□ □ □ □		50% a 75%
■ ■ □ □	□ □ □ □		25% a 50%
■ □ □ □	□ □ □ □		0% a 25%
▧ □ □ □	□ □ □ □		Carregar a bateria.
■ ■ □ □	□ □ □ □		A bateria pode estar avariada.
□ □ ■ ■	□ □ □ □	↑ ↓	

NOTA: Dependendo das condições de utilização e da temperatura ambiente, a indicação pode ser ligeiramente diferente da capacidade real.

NOTA: A primeira luz indicadora (extremo esquerdo) pisca quando o sistema de proteção da bateria funciona.

Sistema de proteção da ferramenta/bateria

A ferramenta está equipada com um sistema de proteção da ferramenta/bateria. Este sistema corta automaticamente a corrente para o motor para aumentar a vida da ferramenta e da bateria. A ferramenta para automaticamente durante o funcionamento se a ferramenta ou bateria for colocada mediante uma das seguintes condições:

Proteção contra sobrecarga

Quando a bateria é utilizada de tal forma que provoque uma corrente anormalmente elevada, a ferramenta para automaticamente e a lâmpada de alimentação principal pisca a verde. Nesta situação, desligue a ferramenta e pare a aplicação que provocou a sobrecarga na ferramenta. Depois, volte a ligar a ferramenta para reiniciar.

Proteção contra sobreaquecimento

Quando a ferramenta ou bateria estiver sobreaquecida, a ferramenta para automaticamente e a lâmpada de alimentação principal acende a vermelho. Neste caso, deixe a ferramenta e a bateria arrefecerem antes de voltar a ligar a ferramenta.

NOTA: Num ambiente de alta temperatura, a proteção contra sobreaquecimento provavelmente funciona e a ferramenta para automaticamente.

Proteção contra descarga excessiva

Quando a capacidade da bateria não for suficiente, a ferramenta para automaticamente e a lâmpada de alimentação principal pisca a vermelho. Neste caso, remova a bateria da ferramenta e carregue a bateria.

Interruptor de alimentação principal

AVISO: Desligue sempre o interruptor de alimentação principal quando não estiver a ser utilizado.

Para ligar a ferramenta, prima o interruptor de alimentação principal até a lâmpada de alimentação principal acender a verde. Para desligar, prima novamente o interruptor de alimentação principal.

- **Fig. 4:**
1. Lâmpada de alimentação principal
 2. Indicador de modo
 3. Interruptor de alimentação principal

NOTA: A lâmpada de alimentação principal pisca a verde quando liga o interruptor de alimentação principal ao mesmo tempo que mantém a alavanca de segurança em baixo e puxa o gatilho do interruptor. Neste caso, solte o gatilho do interruptor e a alavanca de segurança e, em seguida, ligue o interruptor de alimentação principal.

NOTA: Esta ferramenta utiliza a função de desconexão automática. De modo a evitar o arranque accidental, o interruptor de alimentação principal desliga automaticamente quando o gatilho do interruptor não é premido por um determinado período após o interruptor de alimentação principal ser ligado.

Pode utilizar a ferramenta no modo de Impulso do Binário para cortar ramos espessos ou duros. Para utilizar a ferramenta no modo de Impulso do Binário, quando a ferramenta estiver desligada, prima o interruptor de alimentação principal durante alguns segundos até o indicador de modo acender a verde.

NOTA: Pode utilizar a ferramenta no modo de Impulso do Binário até 60 segundos. Dependendo das condições de utilização, este modo muda para o modo normal em menos de 60 segundos.

NOTA: Se o indicador de modo piscar a verde quando premir o interruptor de alimentação principal durante alguns segundos, o modo de Impulso do Binário não está disponível. Neste caso, siga os procedimentos seguintes.

- O modo de Impulso do Binário não está disponível logo após a operação de corte. Aguarde mais de 10 segundos e, em seguida, prima novamente o interruptor de alimentação principal durante alguns segundos.
- Se utilizar o modo de Impulso do Binário várias vezes, a utilização deste modo fica limitada para proteger a bateria. Se o modo de Impulso do Binário não estiver disponível após aguardar durante mais de 10 segundos, substitua a bateria por uma bateria totalmente carregada ou recarregue a bateria.

NOTA: Se a lâmpada de alimentação principal acender a vermelho ou piscar a vermelho ou a verde, consulte as instruções relativas ao sistema de proteção da ferramenta/bateria.

Ação do interruptor

AVISO: Para sua segurança, esta ferramenta está equipada com uma alavanca de segurança que impede o arranque accidental da ferramenta. **NUNCA** utilize a ferramenta se funcionar quando simplesmente prime o gatilho do interruptor sem premir a alavanca de segurança. Devolva a ferramenta ao nosso centro de assistência autorizado para proceder a reparações adequadas ANTES de continuar a utilizá-la.

AVISO: **NUNCA** utilize fita-cola nem tente anular a finalidade e funcionamento da alavanca de desbloqueio.

PRECAUÇÃO: Antes de colocar a bateria na ferramenta, verifique sempre se o gatilho do interruptor funciona corretamente e volta para a posição "OFF" quando libertado.

OBSERVAÇÃO: Não puxe o gatilho com força sem premir a alavanca de desbloqueio. Pode partir o gatilho.

De modo a impedir que o gatilho do interruptor seja

pressionado acidentalmente, é disponibilizada uma alavanca de segurança. Para efetuar o arranque da ferramenta, pressione a alavanca de segurança e prima o gatilho do interruptor. A velocidade da ferramenta aumenta ao aumentar a pressão no gatilho do interruptor. Solte o gatilho do interruptor para parar.

► **Fig.5:** 1. Gatilho do interruptor 2. Alavanca de segurança

Ajustar o comprimento do tubo

Para estender ou encurtar o tubo, solte o anel de bloqueio rodando o anel de bloqueio para a esquerda e, em seguida, ajuste o comprimento do tubo e depois aperte o anel rodando o anel de bloqueio para a direita.

► **Fig.6:** 1. Anel de bloqueio 2. Tubo

Função eletrônica

A ferramenta está equipada com as funções eletrônicas para fácil operação.

- Controlo constante da velocidade
A função de controlo da velocidade assegura a velocidade constante da rotação independentemente das condições de carga.

MONTAGEM

⚠PRECAUÇÃO: Certifique-se sempre de que a ferramenta está desligada e a bateria retirada antes de executar qualquer trabalho na ferramenta.

⚠PRECAUÇÃO: Não toque na corrente de serra com as mãos desprotegidas. Use sempre luvas quando manusear a corrente de serra.

Montar a ferramenta

1. Remova 2 tampas do tubo e 1 tampa da cabeça da ferramenta.

► **Fig.7:** 1. Tampa 2. Tubo 3. Cabeça da ferramenta

2. Solte 3 parafusos e, em seguida, remova 1 parafuso com a chave hexagonal.

► **Fig.8:** 1. Perno

3. Insira completamente o tubo no corpo da ferramenta e, em seguida, alinhe o orifício no tubo com o orifício no corpo da ferramenta.

► **Fig.9:** 1. Orifício 2. Tubo

4. Aperte 3 parafusos com a chave hexagonal.

► **Fig.10:** 1. Perno

5. Solte 2 parafusos e, em seguida, remova 1 parafuso.

► **Fig.11:** 1. Perno

6. Solte o anel de bloqueio rodando o anel de bloqueio para a esquerda e, em seguida, estenda o tubo aproximadamente 10 cm ou mais e depois aperte o anel de bloqueio rodando o anel de bloqueio para a direita.

► **Fig.12:** 1. Anel de bloqueio 2. 10 cm ou mais 3. Tubo

7. Insira completamente o tubo na cabeça da ferramenta e, em seguida, alinhe o orifício no tubo com o orifício na cabeça da ferramenta.

► **Fig.13:** 1. Orifício 2. Tubo

8. Aperte 2 parafusos com a chave hexagonal.

► **Fig.14:** 1. Perno

Extração ou instalação da corrente de serra

⚠PRECAUÇÃO: A corrente de serra e a barra de guia ainda estão quentes logo após o funcionamento. Deixe-as arrefecer o suficiente antes de efetuar qualquer trabalho na ferramenta.

⚠PRECAUÇÃO: Continue a executar o procedimento de instalação ou remoção da corrente de serra num local limpo, sem serradura e outro tipo de sujidade.

Para remover a corrente de serra, realize as seguintes etapas:

1. Solte o parafuso de ajuste da corrente e, em seguida, a porca de retenção.

► **Fig.15:** 1. Parafuso de ajuste da corrente 2. Porca de retenção

2. Retire a cobertura da roda de corrente e, em seguida, remova a corrente de serra e a barra de guia do corpo da ferramenta.

Para instalar a corrente de serra, realize as seguintes etapas:

1. Verifique a direção da corrente de serra.

Corresponda a direção da corrente de serra com a direção da marca no corpo da ferramenta.

2. Encaixe uma extremidade da corrente de serra na parte de cima da barra de guia. Encaixe a outra extremidade da corrente de serra em torno da roda de corrente. Certifique-se de que a corrente de serra está corretamente encaixada na roda de corrente e corretamente encaixada na ranhura da barra de guia.

3. Prenda a barra de guia no corpo da ferramenta, alinhando o orifício na barra de guia com o pino no corpo da ferramenta.

► **Fig.16:** 1. Roda de corrente 2. Orifício

4. Insira a saliência da cobertura da roda de corrente no corpo da ferramenta e, em seguida, feche a cobertura de modo que o parafuso e o pino no corpo da ferramenta encostem nas respetivas contrapartes na cobertura.

► **Fig.17:** 1. Saliência 2. Cobertura da roda de corrente 3. Perno 4. Pino

5. Aperte a porca de retenção para fixar a cobertura da roda de corrente e, em seguida, solte-a um pouco para ajustar a tensão.

► **Fig.18:** 1. Porca de retenção

Ajustar a tensão da corrente de serra

⚠️ PRECAUÇÃO: Não aperte demasiado a corrente de serra. Uma tensão excessivamente alta da corrente de serra pode parti-la e provocar desgaste da barra de guia.

⚠️ PRECAUÇÃO: Uma corrente demasiado solta pode saltar para fora da barra e, deste modo, apresentar riscos de acidente.

A corrente de serra pode ficar frouxa após muitas horas de utilização. Verifique de vez em quando a tensão da corrente de serra antes de utilizar a serra.

1. Solte a porca de retenção ligeiramente para soltar minimamente a cobertura da roda de corrente.

▶ **Fig.19:** 1. Porca de retenção

2. Levante ligeiramente a ponta da barra de guia e ajuste a tensão da corrente. Rode o parafuso de ajuste da corrente para a esquerda para apertar, rode-o para a direita para soltar.

Aperte a corrente de serra até o lado inferior da mesma encaixar na calha da barra de guia, conforme ilustrado.

▶ **Fig.20:** 1. Barra de guia 2. Corrente de serra
3. Parafuso de ajuste da corrente

3. Continue a segurar a barra de guia ao de leve e prenda a cobertura da roda de corrente.

Certifique-se de que a corrente de serra não fica solta na parte de baixo.

4. Aperte a porca de retenção para fixar a cobertura da roda de corrente.

▶ **Fig.21:** 1. Porca de retenção

Instalar ou remover o acessório angular

Acessório opcional

⚠️ PRECAUÇÃO: Antes de instalar ou remover o acessório angular, certifique-se de que prende a cobertura da barra de guia na ferramenta.

Pode alterar o ângulo da cabeça da ferramenta prendendo o acessório angular na ferramenta.

1. Solte o anel de bloqueio rodando o anel de bloqueio para a esquerda e, em seguida, estenda o tubo aproximadamente 10 cm ou mais e depois aperte o anel de bloqueio rodando o anel de bloqueio para a direita.

▶ **Fig.22:** 1. 10 cm ou mais 2. Anel de bloqueio
3. Tubo

2. Solte 2 pernos com a chave sextavada e, em seguida, remova o tubo da cabeça da ferramenta.

▶ **Fig.23:** 1. Perno

3. Remova as tampas do acessório angular.

▶ **Fig.24:** 1. Tampa

4. Alinhe o orifício no tubo com o orifício no acessório e, em seguida, insira o tubo no acessório.

▶ **Fig.25:** 1. Orifício 2. Perno 3. Tubo

5. Aperte 2 pernos para fixar o acessório.

▶ **Fig.26:** 1. Perno

6. Prenda a cabeça da ferramenta no acessório.

Para fixar a cabeça da ferramenta verticalmente, fixe o acessório apertando o perno no orifício existente no acessório apresentado na figura e, em seguida, aperte o outro perno.

▶ **Fig.27:** 1. Perno 2. Orifício

Para fixar a cabeça da ferramenta horizontalmente, fixe o acessório apertando o perno no orifício existente no acessório apresentado na figura e, em seguida, aperte o outro perno.

▶ **Fig.28:** 1. Perno 2. Orifício

Para remover o acessório angular, efetue o procedimento de instalação pela ordem inversa.

OPERAÇÃO

Lubrificação

OBSERVAÇÃO: Ao abastecer de óleo de corrente pela primeira vez ou quando reabastecer o tanque após o mesmo estar completamente vazio, adicione o óleo até à borda inferior do gargalo de enchimento. Caso contrário, o fornecimento de óleo pode ser prejudicado.

OBSERVAÇÃO: Utilize óleo exclusivo para correntes de serra para serras de corrente Makita ou óleos equivalentes disponíveis no mercado.

OBSERVAÇÃO: Nunca utilize óleo com poeira ou partículas nem óleo volátil.

OBSERVAÇÃO: Utilize sempre óleo vegetal quando podar árvores. O óleo mineral pode danificar as árvores.

OBSERVAÇÃO: Antes da operação de corte, certifique-se de que o tampão do depósito de óleo está aparafusado na posição correta.

A corrente de serra é lubrificada automaticamente quando a ferramenta está em operação. Verifique periodicamente a quantidade de óleo restante no depósito de óleo.

▶ **Fig.29:** 1. Depósito de óleo

Para reabastecer o depósito, coloque a ferramenta numa superfície plana e, em seguida, prima o botão no tampão do depósito de óleo de modo que o botão no outro lado se levante e depois remova o tampão do depósito de óleo rodando-o.

A quantidade apropriada de óleo é de 160 ml. Após reabastecer o depósito, certifique-se de que o tampão do depósito de óleo está bem apertado.

▶ **Fig.30:** 1. Tampão do depósito de óleo 2. Apertar
3. Desapertar

NOTA: Se for difícil remover o tampão do depósito de óleo, insira a chave de caixa na ranhura do tampão do depósito de óleo e, em seguida, remova o tampão do depósito de óleo rodando-o para a esquerda.

▶ **Fig.31:** 1. Ranhura 2. Chave de caixa

Após o reabastecimento, segure a ferramenta afastada da árvore. Ligue-a e aguarde até que a lubrificação na corrente de serra seja adequada.

► Fig.32

Prender o arnês para o ombro

⚠PRECAUÇÃO: Quando utilizar a ferramenta em combinação com a fonte de alimentação tipo mochila como o adaptador de baterias tipo mochila, não utilize o arnês para o ombro incluído na embalagem da ferramenta, mas utilize a fita para pendurar recomendada pela Makita.

Se colocar o arnês para o ombro incluído na embalagem da ferramenta e o arnês para o ombro da fonte de alimentação tipo mochila ao mesmo tempo, a remoção da ferramenta ou da fonte de alimentação tipo mochila é difícil em caso de emergência e pode causar um acidente ou ferimentos. Para obter a fita para pendurar recomendada, solicite-a nos centros de assistência autorizados da Makita.

⚠PRECAUÇÃO: Utilize sempre o arnês para o ombro preso à ferramenta. Antes da operação, ajuste o arnês para o ombro de acordo com o tamanho do utilizador para impedir a fadiga.

⚠PRECAUÇÃO: Antes do funcionamento, certifique-se de que o arnês para o ombro está devidamente preso ao anexo na ferramenta.

⚠PRECAUÇÃO: Antes do funcionamento, certifique-se de que a fivela do arnês para o ombro está bem presa.

⚠PRECAUÇÃO: Utilize sempre o arnês para o ombro destinado a esta ferramenta. Não utilize outros arneses para o ombro.

1. Coloque o arnês para o ombro e aperte a fivela.

► Fig.33: 1. Fivela

NOTA: Quando remover o arnês para o ombro, abra a fivela e remova o arnês para o ombro.

2. Ajuste o arnês para o ombro a uma posição de trabalho confortável.

► Fig.34

3. Feche o gancho do arnês para o ombro ao anexo da ferramenta.

► Fig.35: 1. Gancho 2. Anexo

O arnês para o ombro dispõe de um meio de libertação rápida. Basta apertar as laterais da fivela para soltar o arnês para o ombro.

► Fig.36: 1. Fivela

Trabalhar com a ferramenta

⚠PRECAUÇÃO: Mantenha todo o seu corpo afastado da corrente de serra quando o motor estiver a funcionar.

⚠PRECAUÇÃO: Segure a ferramenta firmemente com as duas mãos quando o motor estiver a funcionar.

⚠PRECAUÇÃO: Não se incline. Mantenha sempre os pés firmes e em equilíbrio.

⚠PRECAUÇÃO: Quando cortar por entre ramos, tenha cuidado para não perder o equilíbrio devido ao peso da cabeça da ferramenta.

⚠PRECAUÇÃO: Mantenha sempre uma via de evacuação no caso de um ramo cortado cair na direção do operador.

⚠PRECAUÇÃO: Nunca utilize a ponta da barra de guia para cortar. Caso contrário, pode ocorrer um ressalto perigoso e este pode resultar em ferimentos pessoais.

OBSERVAÇÃO: Nunca atire ou deixe cair a ferramenta.

OBSERVAÇÃO: Não cubra as aberturas de ventilação da ferramenta.

OBSERVAÇÃO: Não force a ferramenta. Caso contrário, pode danificar a ferramenta.

Permaneça numa superfície estável e segure a ferramenta afastada dos ramos de modo que o ângulo da ferramenta seja de 60° ou menos contra o solo horizontal.

► Fig.37: 1. 60° ou menos

Ligue a ferramenta e, em seguida, pressione ligeiramente a corrente de serra no ramo.

Quando cortar ramos compridos, para controlar a posição de queda dos ramos cortados, divida o ramo em secções e corte o ramo a partir da ponta. Preste atenção à queda de ramos uma vez que estes podem ressaltar na direção do operador após bater no solo.

► Fig.38

Quando cortar ramos espessos, realize primeiramente um corte inferior superficial e, em seguida, realize o corte final a partir de cima.

► Fig.39

Se tentar cortar ramos espessos a partir de baixo, o ramo pode ficar mais curto e prender a corrente de serra no corte. Se tentar cortar ramos espessos a partir de cima sem realizar um corte inferior superficial, o ramo pode lascar.

► Fig.40

Transportar a ferramenta

Antes de transportar a ferramenta, remova sempre as baterias da ferramenta e, em seguida, prenda a cobertura da barra de guia e depois encurte o tubo. Cubra igualmente a bateria com a cobertura da bateria.

► Fig.41: 1. Cobertura da barra de guia 2. Cobertura da bateria

Utilizar a ferramenta com adaptador de baterias tipo mochila

Acessório opcional

Utilize a fita para pendurar quando utiliza a ferramenta com adaptador de baterias tipo mochila.

Prender a fita para pendurar

1. Prenda os ganchos da fita para pendurar nos anéis do arnês para o ombro ou do cinto da cintura, conforme apresentado na figura. Selecione o tipo de fita e o método de ligação apropriado para a sua utilização.

► **Fig.42:** 1. Anel 2. Gancho

► **Fig.43:** 1. Anel 2. Gancho

2. Prenda o gancho à ferramenta.

► **Fig.44:** 1. Gancho

Desprender a ferramenta

Quando colocar a ferramenta de lado, abra a fivela na fita para pendurar com uma mão enquanto segura a ferramenta com a outra mão.

► **Fig.45:** 1. Fivela

NOTA: A fivela não está equipada em função do tipo de fita.

Se precisar de soltar a ferramenta rapidamente, siga os passos abaixo.

1. Empurre as alavancas na fivela do cinto da cintura para desbloquear a fivela.

► **Fig.46:** 1. Fivela 2. Alavanca

2. Retire o arnês para o ombro para soltar a ferramenta e a unidade.

► **Fig.47:** 1. Arnês para o ombro

MANUTENÇÃO

⚠PRECAUÇÃO: Certifique-se sempre de que a ferramenta se encontra desligada e de que a bateria foi retirada antes de executar qualquer inspeção ou manutenção.

⚠PRECAUÇÃO: Use sempre luvas quando executar qualquer inspeção ou manutenção.

OBSERVAÇÃO: Nunca utilize gasolina, benzina, diluente, álcool ou produtos semelhantes. Pode ocorrer a descoloração, deformação ou rachaduras.

Para manter a SEGURANÇA e a FIABILIDADE do produto, as reparações e qualquer outra manutenção ou ajuste devem ser levados a cabo pelos centros de assistência Makita autorizados ou pelos centros de assistência de fábrica, utilizando sempre peças de substituição Makita.

Afiar a corrente de serra

Afie a corrente de serra quando:

- O pó de serragem produzido ao serrar madeira húmida parece farinha;
- A corrente penetra na madeira com dificuldade, mesmo que exerça bastante pressão;
- A extremidade de corte está obviamente danificada;
- A serra puxa para a esquerda ou direita ao serrar a madeira. (isto é devido à afiação irregular da corrente de serra ou danos em apenas um dos lados)

Afie a corrente de serra frequentemente, mas apenas um pouco de cada vez. Normalmente, duas ou três passadas da lima será o suficiente para afiação regular. Leve a corrente de serra para ser afiada no nosso centro de assistência autorizado se já a afiou várias vezes.

Critérios para afiar:

⚠AVISO: A distância excessiva entre a extremidade de corte e o limitador de profundidade aumenta o risco de recuo.

► **Fig.48:** 1. Comprimento da lâmina 2. Distância entre a extremidade de corte e o limitador de profundidade 3. Comprimento mínimo da lâmina (3 mm)

- Todo o comprimento da lâmina tem de ser igual. Diferentes comprimentos da lâmina impedem a corrente de serra de funcionar normalmente e podem fazer com que a corrente de serra parta.
- Não afie mais a corrente a partir do momento em que a lâmina atinge um comprimento de 3 mm ou inferior. A corrente tem de ser substituída por uma nova.
- A espessura da aparta é determinada pela distância entre o limitador de profundidade (ponta redonda) e a extremidade de corte.
- Os melhores resultados de corte são obtidos com a seguinte distância entre a extremidade de corte e o limitador de profundidade.
 - Lâmina da serra 90PX / 91PX / M41 / M43: 0,65 mm

► **Fig.49**

- Um ângulo de afiação de 30° terá de ser o mesmo para todos as lâminas. As diferenças de ângulo fazem com que o funcionamento da serra seja mais difícil e irregular, aceleram o desgaste e fazem com que a serra parta.
- Utilize uma lima circular adequada para que o ângulo de afiação apropriado seja mantido contra os dentes.
 - Lâmina da serra 90PX / 91PX / M41 / M43: 55°

Limas e como trabalhar com elas

- Utilize uma lima circular especial (acessório opcional) para correntes de serra para afiar a serra. As limas circulares normais não são adequadas.
- O diâmetro da lima circular para cada corrente de serra é o seguinte:
 - Lâmina da serra 90PX: 4,5 mm
 - Lâmina da serra 91PX / M41 / M43: 4,0 mm
- A lima só deve engatar nos dentes no curso para a frente. Levante a lima para a retirar do dente no curso de retorno.

— Afie primeiro os dentes mais curtos. Em seguida, o comprimento destes dentes mais curtos passa a ser o padrão para os restantes na corrente de serra.

— Movimento a lima como indicado na ilustração.

► **Fig.50:** 1. Lima 2. Corrente de serra

— O movimento da lima torna-se mais fácil se utilizar um porta-limas (acessório opcional). O porta-limas é marcado com o ângulo de afiação correto de 30° (alinhar as marcas paralelas com a corrente da serra) e limita a profundidade de penetração (para 4/5 do diâmetro da lima).

► **Fig.51:** 1. Porta-limas

— Depois de afiar a corrente, verifique a altura do limitador de profundidade utilizando um calibrador de corrente (acessório opcional).

► **Fig.52**

— Retire qualquer material saliente, por menor que seja, com uma lima plana especial (acessório opcional).

— Arredonde novamente a frente do limitador de profundidade.

Limpar a barra de guia

As partículas e serragem acumulam-se na ranhura da barra de guia. Estas podem obstruir a ranhura da barra e afetar o fluxo de óleo. Retire sempre as partículas e a serragem quando afiar ou substituir a corrente de serra.

► **Fig.53**

Limpar a cobertura da roda de corrente

As partículas e serragem acumulam-se no interior da cobertura da roda de corrente. Retire a cobertura da roda de corrente e a corrente de serra da ferramenta e, de seguida, limpe as partículas e a serragem.

► **Fig.54**

Limpar o orifício de saída de óleo

Pó fino ou partículas podem acumular-se no orifício de saída de óleo durante o funcionamento. Este pó ou

Instruções para manutenção periódica

Para garantir uma vida útil longa, evite danificar e garanta o funcionamento total das funcionalidades de segurança. A manutenção seguinte tem de ser realizada regularmente. Os pedidos de garantia só podem ser aceites se este trabalho for realizado regular e adequadamente. O incumprimento dos trabalhos de manutenção indicados pode levar a acidentes! O utilizador da ferramenta não deve realizar os trabalhos de manutenção que não estejam descritos no manual de instruções. Esses trabalhos devem ser realizados pelo nosso centro de assistência autorizado.

Verificar item / tempo de funcionamento		Antes do funcionamento	Todos os dias	Todas as semanas	A cada 3 meses	Anualmente	Antes de armazenar
Ferramenta completa	Inspeção.	✓	-	-	-	-	-
	Limpeza.	-	✓	-	-	-	-
	Verifique no centro de assistência autorizado.	-	-	-	-	✓	✓

partículas podem prejudicar o fluxo de óleo e resultar em lubrificação insuficiente de toda a corrente de serra. Se ocorrer a dispensa insuficiente de óleo da corrente no topo da barra de guia, limpe o orifício de saída de óleo como indicado a seguir.

1. Retire a cobertura da roda de corrente e a corrente de serra da ferramenta.

2. Remova as pequenas partículas de poeira ou outras utilizando uma chave de fendas de ponta achatada ou um dispositivo semelhante.

► **Fig.55:** 1. Chave de fendas de ponta achatada 2. Orifício de saída de óleo

3. Insira a bateria na ferramenta. Aperte o gatilho do interruptor para expelir óleo a fim de remover a poeira e partículas acumuladas no orifício de saída de óleo.

4. Retire a bateria da ferramenta. Reinstale a cobertura da roda de corrente e a corrente de serra na ferramenta.

Substituir a roda de corrente

⚠PRECAUÇÃO: Uma roda de corrente gasta danificará a corrente de serra nova. Substitua a roda de corrente quando estiver gasta.

Antes de instalar uma corrente de serra nova, verifique o estado da roda de corrente. Se a roda de corrente estiver desgastada ou danificada, solicite a substituição nos centros de assistência autorizados da Makita.

► **Fig.56:** 1. Roda de corrente 2. Áreas com desgaste

Armazenar a ferramenta

1. Limpe a ferramenta antes de armazenar. Limpe as partículas e a serragem da ferramenta depois de retirar a cobertura da roda de corrente.

2. Depois de limpar, opere a ferramenta em vazio para lubrificar a corrente de serra e a barra de guia.

3. Cubra a barra de guia com a cobertura da barra de guia e, em seguida, encurte o tubo.

4. Esvazie o depósito de óleo.

Verificar item / tempo de funcionamento		Antes do funcionamento	Todos os dias	Todas as semanas	A cada 3 meses	Anualmente	Antes de armazenar
Corrente de serra	Inspeção.	✓	-	-	-	-	-
	Afiar, se necessário.	-	-	-	-	-	✓
Barra de guia	Inspeção.	✓	✓	-	-	-	-
	Remover da ferramenta.	-	-	-	-	-	✓
Lubrificação da corrente	Verificar a taxa de alimentação de óleo.	✓	-	-	-	-	-
Gatilho do interruptor	Inspeção.	✓	-	-	-	-	-
Alavanca de segurança	Inspeção.	✓	-	-	-	-	-
Tampão do depósito de óleo	Verificar a estanquidade.	✓	-	-	-	-	-
Parafusos e porcas	Inspeção.	-	-	✓	-	-	-

RESOLUÇÃO DE PROBLEMAS

Antes de pedir uma reparação, realize primeiro a sua própria inspeção. Se encontrar um problema que não esteja explicado no manual, não tente desmontar a ferramenta. Em vez disso, peça as reparações nos centros de assistência técnica autorizados da Makita, usando sempre peças de substituição da Makita.

Problema	Causa	Ação
A ferramenta não arranca.	A bateria não está instalada.	Instale uma bateria carregada.
	Problema com a bateria (tensão baixa).	Recarregue as baterias. Se recarregar a bateria não solucionar o problema, substitua a bateria.
	O interruptor de alimentação principal está desligado.	A ferramenta é automaticamente desligada caso não seja operada por um determinado período. Ligue novamente o interruptor de alimentação principal.
O motor para de funcionar depois de pouco tempo de utilização.	O nível de carga da bateria está baixo.	Recarregue as baterias. Se recarregar a bateria não solucionar o problema, substitua a bateria.
Não há óleo na corrente.	O depósito de óleo está vazio.	Encha o depósito de óleo.
	A ranhura da guia do óleo está suja.	Limpe a ranhura.
	Fraca distribuição de óleo.	Regule a quantidade de óleo com o parafuso de ajuste.
A ferramenta não atinge as RPM máximas.	A bateria está instalada de forma incorreta.	Instale as baterias como descrito neste manual.
	A potência da bateria está a diminuir.	Recarregue a bateria. Se recarregar a bateria não solucionar o problema, substitua a bateria.
	O sistema de acionamento não funciona corretamente.	Solicite a reparação no centro de assistência autorizado da sua região.
A lâmpada de alimentação principal está a piscar a verde.	O gatilho do interruptor é premido em condições não-operacionais.	Puxe o gatilho do interruptor após o interruptor de alimentação principal ser ligado.
Vibração anormal: Pare a ferramenta imediatamente!	A barra de guia ou a corrente de serra está solta.	Ajuste a barra de guia e a tensão da corrente de serra.
	Falha de funcionamento da ferramenta.	Solicite a reparação no centro de assistência autorizado da sua região.

Problema	Causa	Ação
O modo de Impulso do Binário não está disponível após a substituição da bateria por uma bateria totalmente carregada.	Dependendo das condições de utilização, o modo de Impulso do Binário não está disponível após a substituição da bateria.	Utilize a ferramenta no modo de funcionamento normal até a bateria instalada ficar vazia e, em seguida, substitua a bateria por uma bateria totalmente carregada ou recarregue a bateria.
A corrente de serra não pode ser instalada.	A combinação da corrente de serra e roda de corrente não está correta.	Utilize a combinação correta da corrente de serra e roda de corrente consultando a secção relativa às especificações.

ACESSÓRIOS OPCIONAIS

⚠️PRECAUÇÃO: Estes acessórios ou peças são recomendados para utilização com a ferramenta Makita especificada neste manual. A utilização de outros acessórios ou peças pode ser perigosa para as pessoas. Utilize apenas acessórios ou peças para os fins indicados.

Se necessitar de informações adicionais relativas a estes acessórios, solicite-as ao seu centro de assistência Makita.

- Corrente de serra
- Barra de guia
- Cobertura da barra de guia
- Acessório angular
- Lima
- Bateria e carregador genuínos da Makita

⚠️AVISO: Se adquirir uma barra de guia de comprimento diferente do comprimento da barra de guia padrão, adquira também uma cobertura da barra de guia adequada. Esta tem de encaixar e cobrir totalmente a barra de guia na ferramenta.

NOTA: Alguns itens da lista podem estar incluídos na embalagem da ferramenta como acessórios padrão. Eles podem variar de país para país.

ΠΡΟΔΙΑΓΡΑΦΕΣ

Μοντέλο:		DUA301
Συνολικό μήκος (χωρίς κατευθυντήρια λάμα και προσάρτημα)		2.530 - 3.760 mm
Ονομαστική τάση		D.C. 36 V
Καθαρό βάρος	*1	7,8 kg
	*2	7,8 - 9,0 kg
Μήκος στάνταρ κατευθυντήριας λάμας		30 cm
Συνιστώμενο μήκος κατευθυντήριας λάμας	με 90PX / 91PX / M41 / M43	25 - 30 cm
Εφαρμόσιμος τύπος αλυσίδας πριονιού (ανατρέξτε στον παρακάτω πίνακα)		90PX / 91PX / M41 / M43
Ταχύτητα αλυσίδας		0 - 20 m/s (0 - 1.200 m/min)
Όγκος δοχείου λαδιού αλυσίδας		160 cm ³

- Λόγω του συνεχιζόμενου προγράμματος έρευνας και ανάπτυξης, οι προδιαγραφές αυτές υπόκεινται σε αλλαγές χωρίς προειδοποίηση.
- Οι προδιαγραφές μπορεί να διαφέρουν ανάλογα με τη χώρα.

*1: Βάρος, με τη μεγαλύτερη κασέτα μπαταριών και άδειο δοχείο λαδιού, χωρίς κατευθυντήρια λάμα, αλυσίδα, ιμάντα ώμου και προσάρτημα, σύμφωνα με το πρότυπο EN ISO11680-1.

*2: Ο μικρότερος και μεγαλύτερος συνδυασμός βάρους, σύμφωνα με τη διαδικασία EPTA 01/2014. Το βάρος μπορεί να διαφέρει ανάλογα με τα προσάρτηματα, συμπεριλαμβάνοντας την κασέτα μπαταριών.

Ισχύουσα κασέτα μπαταριών και φορτιστής

Κασέτα μπαταρίας	BL1820B / BL1830B / BL1840B / BL1850B / BL1860B
Φορτιστής	DC18RC / DC18RD / DC18RE / DC18SD / DC18SE / DC18SF / DC18SH / DC18WC

- Ορισμένες από τις κασέτες και τους φορτιστές μπαταριών που αναγράφονται παραπάνω ίσως να μην είναι διαθέσιμοι, ανάλογα με την τοποθεσία κατοικίας σας.

⚠ ΠΡΟΕΙΔΟΠΟΙΗΣΗ: Να χρησιμοποιείτε μόνο τις κασέτες μπαταριών και τους φορτιστές που παρατίθενται ανωτέρω. Η χρήση οποιασδήποτε άλλης κασέτας μπαταριών ή φορτιστή μπορεί να προκαλέσει τραυματισμό ή/και πυρκαγιά.

Συνιστώμενη ενσύρματη πηγή τροφοδοσίας

Φορητή ηλεκτρική τροφοδότηση	PDC01 / PDC1200 / PDC1500
------------------------------	---------------------------

- Οι ενσύρματες πηγές τροφοδοσίας που αναγράφονται παραπάνω μπορεί να μην είναι διαθέσιμες, ανάλογα με την περιοχή της κατοικίας σας.
- Πριν χρησιμοποιήσετε την ενσύρματη πηγή τροφοδοσίας, διαβάστε τις οδηγίες και τις ενδείξεις προφυλάξεων που αναγράφονται σε αυτή.

Συνδυασμός αλυσίδας πριονιού, κατευθυντήριας λάμας και αλυσοτροχού






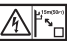





Τύπος αλυσίδας πριονιού		90PX / M41	
Αριθμός κινητήριων συνδέσμων		40	46
Κατευθυντήρια λάμα	Μήκος κατευθυντήριας λάμας	25 cm	30 cm
	Μήκος κοπής	240 mm	296 mm
	Βήμα	3/8"	
	Πάχος κινητήριων συνδέσμων	1,1 mm	
	Τύπος	Ράβδος πίεσης αλυσοτροχού	
Αλυσοτροχός	Αριθμός δοντιών	6	
	Βήμα	3/8"	

Τύπος αλυσίδας πριονιού		91PX / M43	
Αριθμός κινητήριων συνδέσμων		40	46
Κατευθυντήρια λάμα	Μήκος κατευθυντήριας λάμας	25 cm	30 cm
	Μήκος κοπής	240 mm	296 mm
	Βήμα	3/8"	
	Πάχος κινητήριων συνδέσμων	1,3 mm	
	Τύπος	Ράβδος πίεσης αλυσοτροχού	
Αλυσοτροχός	Αριθμός δοντιών	6	
	Βήμα	3/8"	

ΠΡΟΕΙΔΟΠΟΙΗΣΗ: Χρησιμοποιήστε τον κατάλληλο συνδυασμό της κατευθυντήριας λάμας και αλυσίδας πριονιού. Διαφορετικά, μπορεί να προκύψει προσωπικός τραυματισμός.

Σύμβολα

Παρακάτω παρουσιάζονται τα σύμβολα που μπορούν να χρησιμοποιηθούν για τον εξοπλισμό. Βεβαιωθείτε ότι κατανοείτε τη σημασία τους πριν από τη χρήση.

	Μην εκθέτετε σε υγρασία.
	Διαβάστε το εγχειρίδιο οδηγιών.
	Να φοράτε κράνος ασφαλείας, προστατευτικά γυαλιά και ωτοασπίδες.
	Να φοράτε προστατευτικά γάντια.
	Να φοράτε ανθεκτικές μπότες με αντολισθητικές σόλες. Συνιστώνται μπότες ασφαλείας με ασφάλινα προστατευτικά για τα δάκτυλα των ποδιών.
	Προσέχετε τις ηλεκτρικές γραμμές, κίνδυνος ηλεκτροπληξίας.
	Κρατήστε απόσταση τουλάχιστον 15 m.
	Μέγιστο επιτρεπόμενο μήκος κοπής
	Κατεύθυνση διαδρομής αλυσίδας
	Δοχείο λαδιού αλυσίδας
	Ζεστές επιφάνειες - Εγκαύματα δακτύλων ή χεριών.



Μόνο για τις χώρες της ΕΕ
Λόγω της παρουσίας των επικίνδυνων συστατικών μερών στον εξοπλισμό, ο απόβλητος ηλεκτρικός και ηλεκτρονικός εξοπλισμός, οι συσσωρευτές και οι μπαταρίες μπορεί να έχουν αρνητική επίδραση στο περιβάλλον και την ανθρώπινη υγεία. Μην απορρίπτετε τις ηλεκτρικές και ηλεκτρονικές συσκευές ή μπαταρίες μαζί με τα οικιακά απορρίμματα!

Σύμφωνα με την Ευρωπαϊκή Οδηγία για τον απόβλητο ηλεκτρικό και ηλεκτρονικό εξοπλισμό και για τους συσσωρευτές και μπαταρίες και τους απόβλητους συσσωρευτές και μπαταρίες, καθώς και την προσαρμογή τους στην εθνική νομοθεσία, ο απόβλητος ηλεκτρικός εξοπλισμός, οι μπαταρίες και οι συσσωρευτές θα πρέπει να αποθηκεύονται ξεχωριστά και να παραδίδονται σε ξεχωριστό σημείο συλλογής για δημοτικά απόβλητα, το οποίο λειτουργεί σύμφωνα με τους κανονισμούς για την προστασία του περιβάλλοντος. Αυτό υποδεικνύεται από το σύμβολο του διαγραμμένου τροχοφόρου κάδου που βρίσκεται αναρτημένο επάνω στον εξοπλισμό.



Εγγυημένη στάθμη ηχητικής ισχύος σύμφωνα με την Οδηγία της ΕΕ για την εκπομπή θορύβου σε εξωτερικούς χώρους.



Στάθμη ηχητικής ισχύος σύμφωνα με τον Κανονισμό ελέγχου θορύβου της Νέας Νότιας Ουαλίας της Αυστραλίας

Προοριζόμενη χρήση

Το εργαλείο προορίζεται για το κλάδεμα μικρών και μεγάλων κλαδιών.

Θόρυβος

Το τυπικό A επίπεδο καταμετρημένου θορύβου καθορίζεται σύμφωνα με το ISO22868(ISO11680-1):
Στάθμη ηχητικής πίεσης (L_{pA}): 92 dB (A)
Στάθμη ηχητικής ισχύος (L_{WA}): 103 dB (A)
Αβεβαιότητα (K): 3 dB (A)

ΠΑΡΑΤΗΡΗΣΗ: Η δηλωμένη τιμή(ές) εκπομπής θορύβου έχει μετρηθεί σύμφωνα με την πρότυπη μέθοδο δοκιμής και μπορεί να χρησιμοποιηθεί για τη σύγκριση ενός εργαλείου με κάποιο άλλο.

ΠΑΡΑΤΗΡΗΣΗ: Η δηλωμένη τιμή(ές) εκπομπής θορύβου μπορεί να χρησιμοποιηθεί και στην προκαταρκτική αξιολόγηση της έκθεσης.

⚠ ΠΡΟΕΙΔΟΠΟΙΗΣΗ: Να φοράτε ωτοασπίδες.

⚠ ΠΡΟΕΙΔΟΠΟΙΗΣΗ: Η εκπομπή θορύβου κατά τη χρήση του ηλεκτρικού εργαλείου σε πραγματικές συνθήκες μπορεί να διαφέρει από τη δηλωμένη τιμή(ές) ανάλογα με τους τρόπους χρήσης του εργαλείου, ιδιαίτερα το είδος του τεμαχίου εργασίας που υπόκειται επεξεργασία.

⚠ ΠΡΟΕΙΔΟΠΟΙΗΣΗ: Φροντίστε να λάβετε τα κατάλληλα μέτρα προστασίας του χειριστή βάσει ενός υπολογισμού της έκθεσης σε πραγματικές συνθήκες χρήσης (λαμβάνοντας υπόψη όλες τις συνιστώσες του κύκλου λειτουργίας όπως τους χρόνους που το εργαλείο είναι εκτός λειτουργίας και όταν βρίσκεται σε αδρανή λειτουργία πέραν του χρόνου ενεργοποίησης).

Κραδασμός

Αριστερή χειρολαβή (μπροστινή λαβή)		Δεξιά χειρολαβή (πίσω λαβή)		Ισχύον πρότυπο
ah (m/s ²)	Αβεβαιότητα K (m/s ²)	ah (m/s ²)	Αβεβαιότητα K (m/s ²)	
2,5 ή λιγότερο	1,5	2,8	1,5	ISO22867(ISO11680-1)

ΠΑΡΑΤΗΡΗΣΗ: Η δηλωμένη τιμή(ές) συνολικών κραδασμών έχει μετρηθεί σύμφωνα με την πρότυπη μέθοδο δοκιμής και μπορεί να χρησιμοποιηθεί για τη σύγκριση ενός εργαλείου με κάποιο άλλο.

ΠΑΡΑΤΗΡΗΣΗ: Η δηλωμένη τιμή(ές) συνολικών κραδασμών μπορεί να χρησιμοποιηθεί και στην προκαταρκτική αξιολόγηση της έκθεσης.

⚠ ΠΡΟΕΙΔΟΠΟΙΗΣΗ: Η εκπομπή κραδασμών κατά τη χρήση του ηλεκτρικού εργαλείου σε πραγματικές συνθήκες μπορεί να διαφέρει από τη δηλωμένη τιμή(ές) εκπομπής ανάλογα με τους τρόπους χρήσης του εργαλείου, ιδιαίτερα το είδος του τεμαχίου εργασίας που υπόκειται επεξεργασία.

⚠ ΠΡΟΕΙΔΟΠΟΙΗΣΗ: Φροντίστε να λάβετε τα κατάλληλα μέτρα προστασίας του χειριστή βάσει ενός υπολογισμού της έκθεσης σε πραγματικές συνθήκες χρήσης (λαμβάνοντας υπόψη όλες τις συνιστώσες του κύκλου λειτουργίας όπως τους χρόνους που το εργαλείο είναι εκτός λειτουργίας και όταν βρίσκεται σε αδρανή λειτουργία πέραν του χρόνου ενεργοποίησης).

Δήλωση Συμμόρφωσης

Μόνο για χώρες της Ευρώπης

Οι Δηλώσεις Συμμόρφωσης περιλαμβάνονται στο Παράρτημα Α στο παρόν εγχειρίδιο οδηγιών.

ΠΡΟΕΙΔΟΠΟΙΗΣΕΙΣ ΑΣΦΑΛΕΙΑΣ

Γενικές προειδοποιήσεις ασφαλείας για το ηλεκτρικό εργαλείο

⚠ ΠΡΟΕΙΔΟΠΟΙΗΣΗ Διαβάστε όλες τις προειδοποιήσεις ασφαλείας, οδηγίες, εικονογραφίες και προδιαγραφές που παρέχονται με αυτό το ηλεκτρικό εργαλείο. Η μη τήρηση όλων των οδηγιών που αναγράφονται κατωτέρω μπορεί να καταλήξει σε ηλεκτροπληξία, πυρκαγιά ή/και σοβαρό τραυματισμό.

Φυλάξτε όλες τις προειδοποιήσεις και τις οδηγίες για μελλοντική παραπομπή.

Στις προειδοποιήσεις, ο όρος «ηλεκτρικό εργαλείο» αναφέρεται σε ηλεκτρικό εργαλείο που τροφοδοτείται από την κύρια παροχή ηλεκτρικού ρεύματος (με ηλεκτρικό καλώδιο) ή σε ηλεκτρικό εργαλείο που τροφοδοτείται από μπαταρία (χωρίς ηλεκτρικό καλώδιο).

Προειδοποιήσεις ασφαλείας για το φορητό κονταροπρίνο

Γενικές προφυλάξεις

1. Πριν ξεκινήσετε τη λειτουργία του εργαλείου, διαβάστε αυτό το εγχειρίδιο οδηγιών για να εξοικειωθείτε με το χειρισμό του εργαλείου.
2. Μην δανείσετε το εργαλείο σε άτομο με ανεπαρκή πείρα ή γνώσεις για το χειρισμό του εργαλείου.
3. Όταν δανείτε σε κάποιον το εργαλείο, πάντα να προσαρτάτε αυτό το εγχειρίδιο οδηγιών.
4. Μην αφήνετε παιδιά ή νεαρά άτομα, κάτω των 18 ετών, να χρησιμοποιούν το εργαλείο. Κρατήστε τα μακριά από το εργαλείο.
5. Να χειρίζεστε το εργαλείο με τη μεγαλύτερη φροντίδα και προσοχή.
6. Μην χρησιμοποιείτε ποτέ το εργαλείο μετά την κατανάλωση αλκοόλ ή φαρμάκων, ή αν αισθάνεστε κουρασμένοι ή αδιάθετοι.
7. Μην επιχειρήσετε ποτέ να τροποποιήσετε το

εργαλείο.

- Μην χρησιμοποιείτε το εργαλείο σε κακές καιρικές συνθήκες, ιδιαίτερα όταν υπάρχει κίνδυνος για εμφάνιση κεραυνών. Αυτό μειώνει τον κίνδυνο να χτυπηθείτε από κεραυνό.
- Οι εθνικοί κανονισμοί μπορεί να περιορίζουν τη χρήση του εργαλείου. Ακολουθήστε τους κανονισμούς για το χειρισμό του εργαλείου στη χώρα σας.

Προσωπικός προστατευτικός εξοπλισμός

- Φοράτε κράνος ασφαλείας, προστατευτικά γυαλιά και να προστατεύσετε τον εαυτό σας από τα αντικείμενα που εκτοξεύονται ή πέφτουν.
- Φοράτε προστατευτικά αυτιών, όπως ωτοασπίδες, για να αποτρέψετε την απώλεια της ακοής σας.
- Φοράτε σωστό ρουχισμό και παπούτσια για την ασφαλή λειτουργία, όπως ολόσωμη φόρμα εργασίας και σταθερά, αντιολισθητικά παπούτσια. Μην φοράτε φαρδιά ρούχα ή κοσμήματα. Υπάρχει κίνδυνος να εμπλακούν τα φαρδιά ρούχα, τα κοσμήματα ή τα μακριά μαλλιά σε κινούμενα μέρη.
- Όταν χειρίζετε την αλυσίδα πριονιού ή ρυθμίζετε το τέντωμα αλυσίδας, να φοράτε προστατευτικά γάντια. Η αλυσίδα πριονιού μπορεί να κόψει σοβαρά τα γυμνά χέρια.

Ασφάλεια στο χώρο εργασίας

- Κρατήστε το εργαλείο τουλάχιστον 15 m μακριά από ηλεκτρικές γραμμές και καλώδια τηλεπικοινωνίας (συμπεριλαμβανομένων οποιωνδήποτε διακλαδώσεων που έρχονται σε επαφή με αυτά). Αν αγγίξετε ή πλησιάσετε τις γραμμές υψηλής τάσης με το εργαλείο, μπορεί να προκληθεί θάνατος ή σοβαρός τραυματισμός. Παρακολουθήστε τις ηλεκτρικές γραμμές και τους ηλεκτρικούς φράκτες γύρω από την περιοχή εργασίας πριν αρχίσετε την εργασία.
- Να χειρίζεστε το εργαλείο μόνο κάτω από συνθήκες καλής ορατότητας και όταν έχει ακόμα φως έξω. Μην χειρίζεστε το εργαλείο στο σκοτάδι ή όταν υπάρχει ομίχλη.
- Κατά τη διάρκεια της λειτουργίας, μην στέκεστε ποτέ σε ασταθή ή ολισθηρή επιφάνεια ή σε κατηφόρα. Κατά τις κρίσιμες εποχές, να προσέχετε τον πάγο και το χιόνι και να φροντίζετε πάντα ώστε να πατάτε καλά.
- Κατά τη διάρκεια της λειτουργίας, οι παρευρισκόμενοι ή τα ζώα πρέπει να παραμένουν τουλάχιστον 15 m μακριά από το εργαλείο. Να διακοπτετε τη λειτουργία του εργαλείου μόλις κάποιος πλησιάζει.
- Όταν εργάζεστε με δύο ή περισσότερα άτομα, κρατήστε απόσταση τουλάχιστον 15 m ή περισσότερο μεταξύ αυτών, και αναθεώστε σε κάποιον τον ρόλο του επόπτη.
- Πριν τη λειτουργία, εξετάστε αν υπάρχουν συρμάτινοι φράκτες, τοιχώματα ή άλλα στερεά αντικείμενα στην περιοχή εργασίας. Μπορεί να προκαλέσουν ζημιά στην αλυσίδα πριονιού.

Προετοιμασία

- Πριν τη συναρμολόγηση ή τη ρύθμιση του

εργαλείου, απενεργοποιήστε το εργαλείο και αφαιρέστε την κασέτα μπαταριών.

- Πριν χειριστείτε την αλυσίδα πριονιού ή ρυθμίσετε το τέντωμα αλυσίδας, φορέστε προστατευτικά γάντια.
- Πριν εκκινήσετε το εργαλείο, επιθεωρήστε το εργαλείο για ζημιές, χαλαρές βίδες/παξιμάδια ή λανθασμένη συναρμολόγηση. Ακονίστε μια μη αιχμηρή αλυσίδα πριονιού. Αν η αλυσίδα πριονιού είναι λυγισμένη ή κατεστραμμένη, αντικαταστήστε την. Ελέγξτε όλους τους μοχλούς ελέγχου και διακόπτες για εύκολη δράση. Καθαρίστε και στεγνώστε τις λαβές.
- Μην επιχειρήσετε ποτέ να εκκινήσετε το εργαλείο αν το εργαλείο είναι κατεστραμμένο ή δεν είναι πλήρως συναρμολογημένο. Διαφορετικά, μπορεί να προκληθεί σοβαρός τραυματισμός.
- Ρυθμίστε τον ιμάντα ώμου για να ταιριάζει με το μέγεθος του σώματος του χειριστή.
- Ρυθμίστε σωστά το τέντωμα της αλυσίδας. Συμπληρώστε με λάδι αλυσίδας, αν απαιτείται.

Εκκίνηση του εργαλείου

- Να φοράτε προσωπικό προστατευτικό εξοπλισμό πριν ξεκινήσετε το εργαλείο.
- Πριν εκκινήσετε το εργαλείο, βεβαιωθείτε ότι δεν υπάρχει κανένα άτομο ή ζώο στην περιοχή εργασίας.
- Κατά την εγκατάσταση της κασέτας μπαταριών, κρατήστε την αλυσίδα πριονιού και την κατευθυντήρια λάμα μακριά από το σώμα σας και άλλα αντικείμενα, συμπεριλαμβανομένου του εδάφους. Η αλυσίδα πριονιού μπορεί να μετακινήσει κατά την εκκίνηση και μπορεί να προκαλέσει σοβαρό τραυματισμό ή ζημιά στην αλυσίδα πριονιού ή/και ιδιοκτησία.
- Τοποθετήστε το εργαλείο σε σταθερό έδαφος. Διατηρήστε καλή ισορροπία και σταθερό πάτημα.

Λειτουργία

- Σε περίπτωση επείγουσας ανάγκης, απενεργοποιήστε αμέσως το εργαλείο.
- Αν παρατηρήσετε οποιαδήποτε ασυνήθιστη κατάσταση (π.χ. θόρυβος, δόνηση) κατά τη διάρκεια της λειτουργίας, απενεργοποιήστε το εργαλείο. Μην χρησιμοποιήσετε το εργαλείο μέχρι να αναγνωριστεί και να επιλυθεί η αιτία.
- Η αλυσίδα πριονιού συνεχίζει να μετακινείται για μια σύντομη χρονική περίοδο αφού απενεργοποιήσετε το εργαλείο. Μην βιστείτε να ακουμπήσετε την αλυσίδα πριονιού.
- Κατά τη διάρκεια της λειτουργίας, να χρησιμοποιείτε τον ιμάντα ώμου. Κρατήστε το εργαλείο σταθερά στη δεξιά πλευρά σας.
- Κρατήστε την μπροστινή λαβή με το αριστερό χέρι και την πίσω λαβή με το δεξί χέρι, ανεξάρτητα αν είστε δεξιόχειρας ή αριστερόχειρας. Τυλίξτε τα δάκτυλα και τους αντίχειρές σας γύρω από τις λαβές.
- Κρατήστε το εργαλείο μόνο από τις μονωμένες επιφάνειες συγκράτησης, επειδή η αλυσίδα πριονιού μπορεί να έρθει σε επαφή με κρυφές καλωδιώσεις. Σε περίπτωση επαφής της αλυσίδας πριονιού με ηλεκτροφόρο καλώδιο, τα εκτεθειμένα μεταλλικά εξαρτήματα του εκτεταμένου

κλαδευτή μπορεί να καταστούν τα ίδια ηλεκτροφόρα και να προκαλέσουν ηλεκτροπληξία στον χειριστή.

7. Μην επιχειρήσετε ποτέ να θέσετε το εργαλείο σε λειτουργία με το ένα χέρι. Η απώλεια του ελέγχου μπορεί να έχει ως αποτέλεσμα σοβαρό ή θανατηφόρο τραυματισμό. Για να μειώσετε τον κίνδυνο τραυματισμού, να κρατάτε τα χέρια και τα πόδια σας μακριά από την αλυσίδα πριονιού.
8. Μην τεντώνετε υπερβολικά. Κρατάτε πάντα σταθερό πάτημα και την ισορροπία σας. Προσέχετε για κρυμμένα εμπόδια, όπως κούτσουρα, ρίζες και χαντάκια, για να αποφύγετε να σκοταψείτε. Απομακρύνετε τα κλαδιά που έχουν πέσει και τα άλλα αντικείμενα.
9. Μην εργάζεστε ποτέ επάνω σε σκάλα ή δέντρο, προκειμένου να αποφύγετε την απώλεια ελέγχου.
10. Αν το εργαλείο χτυπήσει δυνατά κατά την πτώση, ελέγξτε την κατάσταση πριν συνεχίσετε την εργασία. Αν υπάρχει οποιαδήποτε ζημιά ή αν έχετε αμφιβολίες, επικοινωνήστε με το εξουσιοδοτημένο κέντρο σέρβις της Makita για επιθεώρηση και επισκευή.
11. Μην αγγίζετε την κεφαλή του εργαλείου. Η κεφαλή του εργαλείου θερμαίνεται κατά τη λειτουργία.
12. Κάντε ένα διάλειμμα για να αποφύγετε την απώλεια του ελέγχου που προκαλείται από την κόπωση. Σας συνιστούμε να κάνετε 10 έως 20 λεπτά διάλειμμα κάθε ώρα.
13. Όταν αφήσετε το εργαλείο, ακόμη κι αν είναι για σύντομο χρόνο, να σβήνετε πάντα το εργαλείο και να αφαιρείτε την κασέτα μπαταριών. Αν το εργαλείο λειτουργεί και δεν επιτηρείται, μπορεί να χρησιμοποιηθεί από μη εξουσιοδοτημένο άτομο και να προκληθεί σοβαρό ατύχημα.
14. Όταν χρησιμοποιείτε το εργαλείο, μην σηκώνετε το δεξί χέρι σας πάνω από το ύψος του ώμου.
15. Κατά τη λειτουργία, μην χτυπάτε την αλυσίδα πριονιού επάνω σε σκληρά εμπόδια, όπως πέτρες και καρφιά. Προσέχετε ιδιαίτερα όταν κόβετε κλαδιά δίπλα από τοίχους, συρμάτινους φράχτες ή παρόμοια.
16. Αν τα κλαδιά μπλεχτούν στο εργαλείο, πάντα να διακόπτετε τη λειτουργία του εργαλείου και να αφαιρείτε την κασέτα μπαταριών. Διαφορετικά, η ακούσια εκκίνηση μπορεί να προκαλέσει σοβαρό τραυματισμό.
17. Αν η αλυσίδα πριονιού φράξει, να απενεργοποιείτε πάντα το εργαλείο και να αφαιρείτε την κασέτα μπαταριών πριν τον καθαρισμό.
18. Η επιτάχυνση του εργαλείου με φραγμένη αλυσίδα πριονιού αυξάνει το φόρτο και θα προκαλέσει ζημιά στο εργαλείο.
19. Πριν κόψετε μεγάλα κλαδιά, προετοιμάστε μια περιοχή διαφυγής μακριά από το κλαδί που πέφτει. Πρώτα, απομακρύνετε εμπόδια, όπως μεγάλα και μικρά κλαδιά, από την περιοχή εργασίας. Μετακινήστε όλα τα εργαλεία και τα αντικείμενα από την περιοχή διαφυγής σε κάποιο άλλο ασφαλές χώρο.
20. Πριν κόψετε κλαδιά, ελέγξτε την κατεύθυνση

πτώσης τους, λαμβάνοντας υπόψη την κατάσταση των κλαδιών, τα διπλάνα δέντρα, την κατεύθυνση του ανέμου, κτλ. Προσέχετε ιδιαίτερα την κατεύθυνση πτώσης, καθώς και την αναπήδηση του κλαδιού που θα χτυπήσει στο έδαφος.

21. Μην κρατάτε ποτέ το εργαλείο με γωνία μεγαλύτερη από 60°. Διαφορετικά, τα αντικείμενα που πέφτουν μπορεί να χτυπήσουν τον χειριστή και να προκαλέσουν σοβαρό τραυματισμό. Μην στέκεστε ποτέ κάτω από ένα κλαδί που κόβεται.
22. Προσέχετε τα σπασμένα ή λυγισμένα κλαδιά. Μπορεί να αναπηδήσουν κατά την κοπή, προκαλώντας ανεπάντευχο τραυματισμό.
23. Πριν κόψετε τα κλαδιά που επιθυμείτε, αφαιρέστε τα μικρότερα κλαδιά και φύλλα γύρω τους. Διαφορετικά, η αλυσίδα πριονιού μπορεί να μπλεχτεί σε αυτά.
24. Για να εμποδίσετε την εμπλοκή της αλυσίδας πριονιού στην εγκοπή κοπής, μην αφήνετε τον μοχλό πριν τραβήξετε την αλυσίδα πριονιού από την εγκοπή κοπής.
25. Αν η αλυσίδα πριονιού πιαστεί στην εγκοπή κοπής, διακόψτε αμέσως τη λειτουργία του εργαλείου, μετακινήστε προσεκτικά το κλαδί για να ανοίξετε την εγκοπή και απελευθερώστε την αλυσίδα πριονιού.
26. Αποφύγετε το κλότσημα (περιστροφική αντιδραστική δύναμη προς τη μεριά του χειριστή). Για να αποφευχθεί το κλότσημα, μην χρησιμοποιείτε ποτέ τη μύτη της κατευθυντήριας λάμας ούτε να εκτελείτε διεισδυτική κοπή. Να γνωρίζετε πάντα τη θέση της μύτης της κατευθυντήριας λάμας.
27. Να ελέγχετε συχνά το τέντωμα της αλυσίδας. Όταν γίνεται έλεγχος ή ρύθμιση του τεντώματος αλυσίδας, απενεργοποιήστε το εργαλείο και αφαιρέστε την κασέτα μπαταριών. Αν το τέντωμα είναι χαλαρό, σφίξτε το.

Κραδασμός

1. Η έκθεση σε υπερβολικούς κραδασμούς μπορεί να τραυματίσει τα αιμοφόρα αγγεία ή το νευρικό σύστημα του χειριστή και να προκαλέσει τα ακόλουθα συμπτώματα στα δάκτυλα, στα χέρια ή στους καρπούς: «Κοίμηση» (μούδιασμα), μυρμήγκιασμα, πόνος, αίσθηση μαχαιρώματος ή αλλαγής χρώματος ή παραμόρφωση του δέρματος. Αν έχετε οποιαδήποτε από αυτά τα συμπτώματα, επισκεφτείτε ένα γιατρό. Για να μειώσετε τον κίνδυνο του «συνδρόμου λευκού δακτύλου», να διατηρείτε τα χέρια σας ζεστά κατά τη λειτουργία και να συντηρείτε σωστά το εργαλείο και τα εξαρτήματα. Για τον χρόνο λειτουργίας, τηρήστε τους κανονισμούς του τύπου σας ή τη συμβουλή ιατρού.

Μεταφορά

1. Πριν τη μεταφορά του εργαλείου, απενεργοποιήστε το εργαλείο και αφαιρέστε την κασέτα μπαταριών. Να προσαρμόζετε πάντα το κάλυμμα κατευθυντήριας λάμας κατά τη μεταφορά.
2. Όταν μεταφέρετε το εργαλείο, να το μεταφέρετε σε οριζόντια θέση ενώ κρατάτε τη λαβή.

Συντήρηση

1. Φροντίστε για το σέρβις του εξοπλισμού σας από εξουσιοδοτημένο κέντρο σέρβις, χρησιμοποιώντας πάντα μόνο γνήσια ανταλλακτικά εξαρτήματα. Η λανθασμένη επισκευή και η κακή συντήρηση μπορεί να μειώσουν τη διάρκεια ζωής του εργαλείου και να αυξήσουν τον κίνδυνο ατυχημάτων.
2. Πριν την εκτέλεση οποιασδήποτε εργασίας συντήρησης και επισκευής ή τον καθαρισμό του εργαλείου, να απενεργοποιείτε πάντα το εργαλείο και αφαιρέστε την κασέτα μπαταριών. Περιμένετε μέχρι το εργαλείο να κρυώσει.
3. Να φοράτε πάντα προστατευτικά γάντια κατά τον χειρισμό της αλυσίδας πριονιού.
4. Μετά από κάθε χρήση, σφίξτε όλες τις βίδες και παξιμάδια, εκτός από τις βίδες ρύθμισης.
5. Να διατηρείτε την αλυσίδα πριονιού αιχμηρή. Αν η αλυσίδα πριονιού δεν είναι αιχμηρή και η απόδοση κοπής είναι κακή, απευθυνθείτε σε εξουσιοδοτημένο κέντρο σέρβις της Makita για να την ακονίσει ή αντικαταστήσει την με μια καινούρια.
6. Μην επιχειρήσετε οποιαδήποτε εργασία συντήρησης ή επισκευής που δεν περιγράφεται σε αυτό το εγχειρίδιο οδηγιών. Ζητήστε από ένα εξουσιοδοτημένο κέντρο σέρβις της Makita για μια τέτοια εργασία.
7. Να χρησιμοποιείτε πάντα τα γνήσια ανταλλακτικά και αξεσουάρ της μόνο. Η χρήση εξαρτημάτων ή αξεσουάρ που παρέχονται από άλλον κατασκευαστή μπορεί να έχουν ως αποτέλεσμα το σπάσιμο του εργαλείου, την πρόκληση ζημιάς σε ιδιοκτησία ή/και σοβαρό τραυματισμό.

Φύλαξη

1. Πριν τη φύλαξη του εργαλείου, εκτελέστε πλήρη καθαρισμό και συντήρηση. Προσαρμόστε το κάλυμμα κατευθυντήριας λάμας. Αφαιρέστε την κασέτα μπαταριών. Αποστραγγίστε το λάδι αλυσίδας αφού το εργαλείο κρυώσει.
2. Φυλάξτε το εργαλείο σε ένα ψηλό ή κλειδωμένο μέρος χωρίς υγρασία, μακριά από παιδιά.
3. Μην ακουμπάτε το εργαλείο επάνω σε κάτι, όπως σε έναν τοίχο. Διαφορετικά, μπορεί να πέσει ξαφνικά και να προκληθεί τραυματισμός.

Ηλεκτρική ασφάλεια και ασφάλεια μπαταρίας

1. Μην απορρίπτετε την μπαταρία(ίες) στη φωτιά. Το κελί μπορεί να εκραγεί. Συμβουλευτείτε τους τοπικούς κώδικες για πιθανές ειδικές οδηγίες απόρριψης.
2. Μην απορρίπτετε και μην καταστρέψετε την μπαταρία(ίες). Ο ηλεκτρολύτης που εκλύεται είναι διαβρωτικός και μπορεί να προκαλέσει ζημιά στα μάτια ή στο δέρμα. Σε περίπτωση κατάποσης, μπορεί να είναι τοξικό.
3. Μην φορτίζετε την μπαταρία στη βροχή, αλλά ούτε σε υγρές τοποθεσίες.
4. Μην φορτίζετε τη μπαταρία σε εξωτερικό χώρο.
5. Μην χειρίζεστε τον φορτιστή, συμπεριλαμβανομένου του φος φορτιστή, και τους ακροδέκτες φορτιστή με βρεγμένα χέρια.

6. Να αποφεύγετε τα επικίνδυνα περιβάλλοντα. Μην χρησιμοποιείτε το εργαλείο σε υγραμένο ή υγρό χώρο ούτε να το εκθέτετε στη βροχή. Η είσοδος νερού στο εργαλείο μπορεί να αυξήσει τον κίνδυνο πρόκλησης ηλεκτροπληξίας.

ΦΥΛΑΞΤΕ ΤΙΣ ΟΔΗΓΙΕΣ ΑΥΤΕΣ.

▲ΠΡΟΕΙΔΟΠΟΙΗΣΗ: ΜΗΝ επιτρέψετε το βαθμό άνεσης ή εξοικείωσης με το προϊόν (λόγω επανειλημμένης χρήσης) να αντικαταστήσει την αυστηρή τήρηση των κανόνων ασφαλείας του παρόντος εργαλείου. Η ΛΑΝΘΑΣΜΕΝΗ ΧΡΗΣΗ ή η αμέλεια να ακολουθήσετε τους κανόνες ασφαλείας που διατυπώνονται στο παρόν εγχειρίδιο οδηγιών μπορεί να προκαλέσει σοβαρό προσωπικό τραυματισμό.

Σημαντικές οδηγίες ασφάλειας για κασέτα μπαταριών

1. Πριν χρησιμοποιήσετε την κασέτα μπαταριών, διαβάστε όλες τις οδηγίες και σημειώσεις προφύλαξης (1) στον φορτιστή μπαταριών, (2) στην μπαταρία και (3) στο προϊόν που χρησιμοποιεί την μπαταρία.
2. Μην αποσυρμαρολογήσετε ή παραβιάσετε την κασέτα μπαταριών. Μπορεί να έχει ως αποτέλεσμα πυρκαγιά, υπερθέρμανση ή έκρηξη.
3. Εάν ο χρόνος λειτουργίας έχει γίνει υπερβολικά βραχύς, σταματήστε τη λειτουργία αμέσως. Αλλιώς, μπορεί να έχει ως αποτέλεσμα κίνδυνο υπερθέρμανσης, πιθανά εγκαύματα ή ακόμη και έκρηξη.
4. Εάν ηλεκτρολύτης μην στα μάτια σας, ξεπλύνετε τα με καθαρό νερό και ζητήστε ιατρική φροντίδα αμέσως. Αλλιώς, μπορεί να έχει ως αποτέλεσμα απώλεια της όρασης σας.
5. Μην βραχυκυκλώνετε την κασέτα μπαταριών:
 - (1) Μην αγγίζετε τους πόλους με οτιδήποτε αγώγιμο υλικό.
 - (2) Αποφεύγετε να αποθηκεύετε την κασέτα μπαταριών μέσα σε ένα δοχείο μαζί με άλλα μεταλλικά αντικείμενα όπως καρφιά, νομίσματα, κλπ.
 - (3) Μην εκθέτετε την κασέτα μπαταριών στο νερό ή στη βροχή.Ένα βραχυκύκλωμα μπαταρίας μπορεί να προκαλέσει μεγάλη ροή ρεύματος, υπερθέρμανση, πιθανά εγκαύματα ακόμη και σοβαρή βλάβη.
6. Μην αποθηκεύετε και μην χρησιμοποιείτε το εργαλείο και την κασέτα μπαταριών σε τοποθεσίες όπου η θερμοκρασία μπορεί να φτάσει ή να ξεπεράσει τους 50°C.
7. Μην καίτε την κασέτα μπαταριών ακόμη και εάν έχει σοβαρή ζημιά ή είναι εντελώς φθαρμένη. Η κασέτα μπαταριών μπορεί να εκραγεί στη φωτιά.
8. Μην καρφώσετε, κόψετε, συνθλίψετε, πετάξετε ή ρίξετε κάτω την κασέτα μπαταριών, ούτε να χτυπήσετε ένα σκληρό αντικείμενο επάνω στην κασέτα μπαταριών. Τέτοια συμπεριφορά μπορεί να έχει ως αποτέλεσμα πυρκαγιά, υπερθέρμανση ή έκρηξη.

9. **Μη χρησιμοποιείτε μπαταρία που έχει υποστεί ζημία.**
10. **Οι μπαταρίες ιόντων λιθίου που περιέχονται υπόκεινται στις απαιτήσεις της νομοθεσίας για επικίνδυνα αγαθά.**
Για εμπορικές μεταφορές, για παράδειγμα από τρίτα μέρη, πρέπει να τηρούνται οι διαμεταφορές, οι ειδικές απαιτήσεις στη συσκευασία και η επισήμανση.
Για προετοιμασία του στοιχείου που αποστέλλεται, είναι απαραίτητο να συμβουλευτείτε έναν ειδικό για επικίνδυνα υλικά. Επίσης, τηρήστε τους πιθα- νούς, πιο αναλυτικούς εθνικούς κανονισμούς. Καλύψτε με αυτοκόλλητη ταινία ή κρύψτε τις ανοικτές επαφές και συσκευάστε την μπαταρία με τρόπο που να μην μπορεί να μετακινείται μέσα στη συσκευασία.
11. **Όταν απορρίψετε την κασέτα μπαταριών, αφαιρέστε την από το εργαλείο και διαθέστε την σε ένα ασφαλές μέρος. Τηρήστε τους τοπικούς κανονισμούς που σχετίζονται με τη διάθεση της μπαταρίας.**
12. **Χρησιμοποιήστε τις μπαταρίες μόνο με τα προϊόντα που καθορίζει η Makita.** Αν τοποθετή- σετε τις μπαταρίες σε μη συμβατά προϊόντα μπο- ρεί να έχει ως αποτέλεσμα πυρκαγιά, υπερβολική θερμότητα, έκρηξη ή διαρροή ηλεκτρολύτη.
13. **Αν δεν χρησιμοποιείτε το εργαλείο για μεγάλο χρονικό διάστημα, πρέπει να βγάλετε την μπαταρία από το εργαλείο.**
14. **Κατά τη διάρκεια και μετά τη χρήση, η κασέτα μπαταριών μπορεί να θερμανθεί, γεγονός που μπορεί να προκαλέσει εγκαύματα ή εγκαύματα από χαμηλή θερμοκρασία. Προσέχετε το χειρι- σμό των ζεστών κασετών μπαταριών.**
15. **Μην αγγίζετε τον ακροδέκτη του εργαλείου αμέσως μετά τη χρήση επειδή μπορεί να έχει ζεσταθεί αρκετά για να προκαλέσει εγκαύματα.**
16. **Μην αφήνετε θραύσματα, σκόνη ή βρομιά να κολλήσει στους ακροδέκτες, τις οπές και τις εγχοπές της κασέτας μπαταριών. Μπορεί να προκαλέσει θέρμανση, φωτιά, έκρηξη και**
δυσλειτουργία του εργαλείου ή της κασέτας μπα- ταριών, έχοντας ως αποτέλεσμα εγκαύματα ή προσωπικό τραυματισμό.
17. **Εκτός αν το εργαλείο υποστηρίζει τη χρήση κοντά σε ηλεκτρικές γραμμές υψηλής τάσης, μην χρησιμοποιείτε την κασέτα μπαταριών κοντά σε ηλεκτρικές γραμμές υψηλής τάσης.** Μπορεί να έχει ως αποτέλεσμα δυσλειτουργία ή σπάζσιμο του εργαλείου ή της κασέτας μπαταριών.
18. **ΚρΦυλάζτε την μπαταρία μακριά από παιδιά.**

ΦΥΛΑΞΤΕ ΤΙΣ ΟΔΗΓΙΕΣ ΑΥΤΕΣ.

▲ ΠΡΟΣΟΧΗ: Να χρησιμοποιείτε μόνο γνήσιες μπαταρίες της Makita. Η χρήση μη γνήσιων μπατα- ριών Makita, ή μπαταριών που έχουν τροποποιηθεί, μπορεί να έχει ως αποτέλεσμα τη ρήξη της μπατα- ρίας, προκαλώντας πυρκαγιά, προσωπικό τραυματι- σμό και βλάβη. Επίσης, θα ακυρωθεί η εγγύηση της Makita για το εργαλείο και φορτιστή Makita.

Συμβουλές για τη διατήρηση της μέγιστης ζωής μπαταρίας

1. **Φορτίζετε την κασέτα μπαταριών πριν από την πλήρη αποφόρτιση της. Πάντοτε να σταματάτε τη λειτουργία του εργαλείου και να φορτίζετε την κασέτα μπαταριών όταν παρατηρείτε μειω- μένη ισχύ εργαλείου.**
2. **Ποτέ μην επαναφορτίζετε μια πλήρως φορ- τισμένη κασέτα μπαταριών. Η υπερφόρτιση μειώνει την ωφέλιμη ζωή της μπαταρίας.**
3. **Να φορτίζετε την κασέτα μπαταριών σε θερμο- κρασία δωματίου, δηλαδή στους 10 °C έως 40 °C. Αφήστε μια θερμή κασέτα μπαταριών να κρυώσει πριν την φορτίσετε.**
4. **Όταν δεν χρησιμοποιείτε την κασέτα μπατα- ριών, αφαιρέστε την από το εργαλείο ή τον φορτιστή.**
5. **Να φορτίζετε την κασέτα μπαταριών εάν δεν τη χρησιμοποιείτε για μεγάλη χρονική περίοδο (περισσότερο από έξι μήνες).**

ΠΕΡΙΓΡΑΦΗ ΕΞΑΡΤΗΜΑΤΩΝ

► Εικ.1

1	Λυχνία κύριας λειτουργίας	2	Ένδειξη τρόπου λειτουργίας	3	Διακόπτης κύριας λειτουργίας
4	Αναρτήρας	5	Μοχλός ασφάλισης	6	Κασέτα μπαταριών
7	Σκανδάλη διακόπτης	8	Πίσω λαβή	9	Αλυσίδα πριονιού
10	Κατευθυντήρια λάμα	11	Καπάκι δοχείου λαδιού	12	Ασφαλιστικός δακτύλιος
13	Παξιμάδι συγκράτησης	14	Βίδα ρύθμισης αλυσίδας	15	Κάλυμμα κατευθυντήριας λάμας
16	Μπροστινή λαβή	-	-	-	-

ΠΕΡΙΓΡΑΦΗ ΛΕΙΤΟΥΡΓΙΑΣ

▲ ΠΡΟΣΟΧΗ: Να φροντίζετε πάντα για την απεργοποίηση του εργαλείου και την αφαίρεση της κασέτας μπαταρίας, πριν από οποιαδήποτε ρύθμιση ή έλεγχο της λειτουργίας του.

Τοποθέτηση ή αφαίρεση της κασέτας μπαταριών

▲ ΠΡΟΣΟΧΗ: Να σβήνετε πάντα το εργαλείο πριν τοποθετήσετε ή αφαιρέσετε την κασέτα μπαταριών.

▲ ΠΡΟΣΟΧΗ: Κρατήστε το εργαλείο και την κασέτα μπαταριών σταθερά κατά την τοποθέτηση ή αφαίρεση της κασέτας μπαταριών. Εάν δεν κρατάτε το εργαλείο και την κασέτα μπαταριών σταθερά μπορεί να γλιστρήσουν από τα χέρια σας και να προκληθεί βλάβη στο εργαλείο και την κασέτα μπαταριών και προσωπικός τραυματισμός.

Για να τοποθετήσετε την κασέτα μπαταριών, ευθυγραμμίστε τη γλώσσα στην κασέτα μπαταριών με την εγκοπή στο περίβλημα και ολισθήστε τη στη θέση της. Τοποθετήστε την μέχρι τέρμα μέχρι να ασφαλίσει στη θέση της, γεγονός που υποδεικνύεται με ένα χαρακτηριστικό ήχο. Αν μπορείτε να δείτε τον κόκκινο δείκτη όπως απεικονίζεται στην εικόνα, δεν έχει κλειδώσει τελείως.

Για να αφαιρέσετε την κασέτα μπαταριών, ολισθήστε την από το εργαλείο ενώ σύρετε το κουμπί στο μπροστινό μέρος της κασέτας.

► **Εικ.2:** 1. Κόκκινος δείκτης 2. Κουμπί 3. Κασέτα μπαταριών

▲ ΠΡΟΣΟΧΗ: Να τοποθετείτε πάντα την κασέτα μπαταριών πλήρως μέχρι να μη βλέπετε τον κόκκινο δείκτη. Εάν δεν ασφαλιστεί, μπορεί να πέσει από το εργαλείο τυχαία, προκαλώντας σωματική βλάβη σε εσάς ή κάποιον άλλο γύρω σας.

▲ ΠΡΟΣΟΧΗ: Μην τοποθετείτε την κασέτα μπαταριών με βία. Εάν η κασέτα δεν ολισθαίνει με ευκολία, τότε δεν έχει τοποθετηθεί κατάλληλα.

Εμφάνιση υπολειπόμενης χωρητικότητας μπαταρίας

Μόνο για κασέτες μπαταρίας με την ενδεικτική λυχνία

Πιέστε το κουμπί ελέγχου στην κασέτα μπαταριών για να υποδείξετε την υπολειπόμενη χωρητικότητα μπαταρίας. Οι ενδεικτικές λυχνίες ανάβουν για λίγα δευτερόλεπτα.

► **Εικ.3:** 1. Ενδεικτικές λυχνίες 2. Κουμπί ελέγχου

Ενδεικτικές λυχνίες			Υπολειπόμενη χωρητικότητα
Αναμμένες	Σβηστές	Αναβοσβήνουν	
■ ■ ■ ■			75% έως 100%
■ ■ ■ □			50% έως 75%
■ ■ □ □			25% έως 50%
■ □ □ □			0% έως 25%
▲ □ □ □			Φορτίστε την μπαταρία.
■ ■ □ □		↑ ↓	Μπορεί να προέκυψε δυσλειτουργία στην μπαταρία.

ΠΑΡΑΤΗΡΗΣΗ: Ανάλογα με τις συνθήκες χρήσης και τη θερμοκρασία περιβάλλοντος, η ένδειξη μπορεί να διαφέρει λίγο από την πραγματική χωρητικότητα.

ΠΑΡΑΤΗΡΗΣΗ: Η πρώτη (τέρμα αριστερά) ενδεικτική λυχνία θα αναβοσβήνει όταν λειτουργεί το σύστημα προστασίας μπαταρίας.

Σύστημα προστασίας εργαλείου/ μπαταρίας

Το εργαλείο είναι εξοπλισμένο με σύστημα προστασίας εργαλείου/μπαταρίας. Αυτό το σύστημα αποκόπτει αυτόματα την ισχύ προς το μοτέρ για να παραταθεί η διάρκεια λειτουργίας του εργαλείου και της μπαταρίας. Το εργαλείο σταματά αυτόματα κατά τη διάρκεια της λειτουργίας εάν το εργαλείο ή η μπαταρία βρεθούν κάτω από τις παρακάτω συνθήκες:

Προστασία υπερφόρτωσης

Όταν η μπαταρία λειτουργεί με τρόπο που προκαλεί την κατανάλωση ενός ασυνήθιστα υψηλού ηλεκτρικού ρεύματος, το εργαλείο σταματάει αυτόματα και η λυχνία κύριας λειτουργίας αναβοσβήνει με πράσινο χρώμα. Σε αυτή την περίπτωση, απενεργοποιήστε το εργαλείο και διακόψτε την εφαρμογή που προκάλεσε την υπερφόρτωση του εργαλείου. Μετά ενεργοποιήστε το εργαλείο για επανεκκίνηση.

Προστασία υπερθέρμανσης

Όταν το εργαλείο ή η μπαταρία υπερθερμανθεί, η λειτουργία του εργαλείου σταματάει αυτόματα και η λυχνία κύριας λειτουργίας ανάβει με κόκκινο χρώμα. Σε αυτή την περίπτωση, αφήστε το εργαλείο και την μπαταρία να ψυχθούν πριν ενεργοποιήσετε ξανά το εργαλείο.

ΠΑΡΑΤΗΡΗΣΗ: Σε περιβάλλον υψηλών θερμοκρασιών, είναι πιθανό να θεθεί σε λειτουργία η προστασία υπερθέρμανσης και να σταματήσει αυτόματα η λειτουργία του εργαλείου.

Προστασία υπερβολικής αποφόρτισης

Όταν η χωρητικότητα μπαταρίας δεν είναι αρκετή, η λειτουργία του εργαλείου σταματάει αυτόματα και η λυχνία κύριας λειτουργίας αναβοσβήνει με κόκκινο χρώμα. Σε αυτή την περίπτωση, βγάλτε την μπαταρία από το εργαλείο και φορτίστε την μπαταρία.

Διακόπτης κύριας λειτουργίας

▲ ΠΡΟΕΙΔΟΠΟΙΗΣΗ: Να απενεργοποιείτε πάντα το διακόπτη κύριας λειτουργίας όταν δεν χρησιμοποιείτε το εργαλείο.

Για να ανάψετε το εργαλείο, πατήστε το διακόπτη κύριας λειτουργίας μέχρι να ανάψει η λυχνία κύριας λειτουργίας με πράσινο χρώμα. Για απενεργοποίηση, πατήστε ξανά το διακόπτη κύριας λειτουργίας.

► **Εικ.4:** 1. Λυχνία κύριας λειτουργίας 2. Ένδειξη τρόπου λειτουργίας 3. Διακόπτης κύριας λειτουργίας

ΠΑΡΑΤΗΡΗΣΗ: Η λυχνία κύριας λειτουργίας αναβοσβήνει με πράσινο χρώμα αν ενεργοποιήσετε τον διακόπτη κύριας λειτουργίας ενώ κρατάτε πατημένο τον μοχλό ασφάλισης και τη σκανδάλη διακόπτη. Σε αυτή την περίπτωση, αφήστε τη σκανδάλη διακόπτη και τον μοχλό ασφάλισης και μετά ενεργοποιήστε τον διακόπτη κύριας λειτουργίας.

ΠΑΡΑΤΗΡΗΣΗ: Το εργαλείο αυτό χρησιμοποιεί τη λειτουργία αυτόματης απενεργοποίησης. Για να αποφευχθεί η αθέλητη εκκίνηση, ο διακόπτης κύριας λειτουργίας κλείνει αυτόματα εάν δεν τραβήξετε τη σκανδάλη διακόπτη για κάποια καθορισμένη περίοδο μετά την ενεργοποίηση του διακόπτη κύριας λειτουργίας.

Μπορείτε να χρησιμοποιήσετε τον τρόπο λειτουργίας ενίσχυσης ροπής για την κοπή χονδρών κλαδιών ή σκληρών κλαδιών. Για να χρησιμοποιήσετε το εργαλείο σε τρόπο λειτουργίας ενίσχυσης ροπής, όταν το εργαλείο είναι απενεργοποιημένο, πατήστε το διακόπτη κύριας λειτουργίας για λίγα δευτερόλεπτα μέχρι να ανάψει η ένδειξη τρόπου λειτουργίας με πράσινο χρώμα.

ΠΑΡΑΤΗΡΗΣΗ: Μπορείτε να χρησιμοποιήσετε το εργαλείο σε τρόπο λειτουργίας ενίσχυσης ροπής για μέχρι 60 δευτερόλεπτα. Ανάλογα με τις συνθήκες χρήσης, αυτός ο τρόπος λειτουργίας μετατοπίζει τον κανονικό τρόπο λειτουργίας σε λιγότερα από 60 δευτερόλεπτα.

ΠΑΡΑΤΗΡΗΣΗ: Αν η ένδειξη τρόπου λειτουργίας αναβοσβήνει με πράσινο χρώμα όταν πατήσετε το διακόπτη κύριας λειτουργίας για λίγα δευτερόλεπτα, ο τρόπος λειτουργίας ενίσχυσης ροπής δεν είναι διαθέσιμος. Σε αυτή την περίπτωση, ακολουθήστε τα παρακάτω βήματα.

- Ο τρόπος λειτουργίας ενίσχυσης ροπής δεν είναι διαθέσιμος αμέσως μετά τη λειτουργία κοπής. Περιμένετε περισσότερα από 10 δευτερόλεπτα και μετά πατήστε ξανά το διακόπτη κύριας λειτουργίας για λίγα δευτερόλεπτα.
- Αν χρησιμοποιήσετε τον τρόπο λειτουργίας ενίσχυσης ροπής αρκετές φορές, περιορίζεται η χρήση του τρόπου λειτουργίας ενίσχυσης ροπής για να προστατευτεί η μπαταρία. Αν ο τρόπος λειτουργίας ενίσχυσης ροπής δεν διατίθεται αφού περιμένατε για περισσότερα από 10 δευτερόλεπτα, αντικαταστήστε την κασέτα μπαταριών με μια πλήρως φορτισμένη, ή επαναφορτίστε την κασέτα μπαταριών.

ΠΑΡΑΤΗΡΗΣΗ: Αν η λυχνία κύριας λειτουργίας ανάψει με κόκκινο χρώμα ή αναβοσβήνει με κόκκινο ή πράσινο χρώμα, ανατρέξτε στις οδηγίες για το σύστημα προστασίας του εργαλείου/μπαταρίας.

Δράση διακόπτη

▲ ΠΡΟΕΙΔΟΠΟΙΗΣΗ: Για την ασφάλεια σας, το εργαλείο αυτό παρέχεται με μοχλό ασφάλισης το οποίο αποτρέπει την εκκίνηση του εργαλείου κατά λάθος. Μη χρησιμοποιείτε ΠΟΤΕ το εργαλείο εάν μπορείτε να το θέσετε σε λειτουργία πιέζοντας απλά τη σκανδάλη διακόπτη, χωρίς να τραβάτε και το μοχλό ασφάλισης. Στείλτε το εργαλείο σε εξουσιοδοτημένο κέντρο σέρβις για να το επισκευάσουν σωστά ΠΡΙΝ το χρησιμοποιήσετε ξανά.

▲ ΠΡΟΕΙΔΟΠΟΙΗΣΗ: ΠΟΤΕ μην κολλάτε το μοχλό ασφάλισης στην πατημένη θέση του και ΠΟΤΕ μην παρακάμπετε το σκοπό του μοχλού ασφάλισης.

▲ ΠΡΟΣΟΧΗ: Πριν βάλετε την κασέτα μπαταρίας μέσα στο εργαλείο, να ελέγχετε πάντα να δείτε αν η σκανδάλη διακόπτης ενεργοποιείται κανονικά και επιστρέφει στη θέση «OFF» όταν ελευθερώνεται.

ΕΙΔΟΠΟΙΗΣΗ: Μην τραβάτε τη σκανδάλη διακόπτη με βία χωρίς να πατάτε το μοχλό ασφάλισης. Μπορεί να σπάσει ο διακόπτης.

Για να μην τραβιέται η σκανδάλη διακόπτης κατά λάθος, παρέχεται ένας μοχλός ασφάλισης. Για να ξεκινήσετε τη λειτουργία του εργαλείου, πατήστε το μοχλό ασφάλισης και τραβήξτε τη σκανδάλη διακόπτη. Η ταχύτητα του εργαλείου αυξάνεται όσο αυξάνετε την πίεση στη σκανδάλη διακόπτη. Ελευθερώστε τη σκανδάλη διακόπτη για

να σταματήσει.

► **Εικ.5:** 1. Σκανδάλη διακόπτης 2. Μοχλός ασφάλισης

Ρύθμιση του μήκους σωλήνα

Για να επεκτείνετε ή να κοντύνετε τον σωλήνα, χαλαρώστε τον ασφαλιστικό δακτύλιο περιστρέφοντας τον ασφαλιστικό δακτύλιο αριστερόστροφα, μετά ρυθμίστε το μήκος του σωλήνα και σφίξτε τον δακτύλιο περιστρέφοντας τον ασφαλιστικό δακτύλιο δεξιόστροφα.

► **Εικ.6:** 1. Ασφαλιστικός δακτύλιος 2. Σωλήνας

Ηλεκτρονική λειτουργία

Το εργαλείο είναι εξοπλισμένο με ηλεκτρονικές λειτουργίες για εύκολη λειτουργία.

- Έλεγχος σταθερής ταχύτητας
Η λειτουργία ελέγχου ταχύτητας παρέχει σταθερή ταχύτητα περιστροφής, ανεξάρτητα από τις συνθήκες φόρτου.

ΣΥΝΑΡΜΟΛΟΓΗΣΗ

▲ΠΡΟΣΟΧΗ: Να βεβαιώνετε πάντα ότι το εργαλείο είναι σβηστό και η κασέτα μπαταρίας έχει αφαιρεθεί πριν εκτελέσετε κάποια εργασία στο εργαλείο.

▲ΠΡΟΣΟΧΗ: Μην αγγίζετε την αλυσίδα πριονιού με γυμνά χέρια. Να φοράτε πάντα γάντια κατά το χειρισμό της αλυσίδας πριονιού.

Συναρμολόγηση του εργαλείου

1. Αφαιρέστε 2 καπάκια από τον σωλήνα και 1 καπάκι από την κεφαλή του εργαλείου.
► **Εικ.7:** 1. Καπάκι 2. Σωλήνας 3. Κεφαλή εργαλείου
2. Χαλαρώστε τα 3 μπουλόνια και μετά αφαιρέστε 1 μπουλόνι χρησιμοποιώντας το εξαγωνικό κλειδί.
► **Εικ.8:** 1. Μπουλόνι
3. Εισαγάγετε τον σωλήνα στο κύριο τμήμα του εργαλείου μέχρι τέρμα και μετά ευθυγραμμίστε την οπή στον σωλήνα με την οπή στο κύριο τμήμα του εργαλείου.
► **Εικ.9:** 1. Οπή 2. Σωλήνας
4. Σφίξτε τα 3 μπουλόνια χρησιμοποιώντας το εξαγωνικό κλειδί.
► **Εικ.10:** 1. Μπουλόνι
5. Χαλαρώστε τα 2 μπουλόνια και μετά αφαιρέστε 1 μπουλόνι.
► **Εικ.11:** 1. Μπουλόνι
6. Χαλαρώστε τον ασφαλιστικό δακτύλιο περιστρέφοντας τον ασφαλιστικό δακτύλιο αριστερόστροφα, μετά επεκτείνετε τον σωλήνα περίπου 10 cm ή περισσότερο και σφίξτε τον ασφαλιστικό δακτύλιο περιστρέφοντας τον ασφαλιστικό δακτύλιο δεξιόστροφα.
► **Εικ.12:** 1. Ασφαλιστικός δακτύλιος 2. 10 cm ή περισσότερο 3. Σωλήνας
7. Εισαγάγετε τον σωλήνα στην κεφαλή του εργαλείου μέχρι τέρμα και μετά ευθυγραμμίστε την οπή στον σωλήνα με την οπή στην κεφαλή του εργαλείου.

► **Εικ.13:** 1. Οπή 2. Σωλήνας

8. Σφίξτε 2 μπουλόνια χρησιμοποιώντας το εξαγωνικό κλειδί.

► **Εικ.14:** 1. Μπουλόνι

Αφαίρεση ή τοποθέτηση της αλυσίδας πριονιού

▲ΠΡΟΣΟΧΗ: Η αλυσίδα πριονιού και η κατευθυντήρια λάμα είναι ακόμα ζεστές μετά τη λειτουργία. Αφήστε τις να ψυχθούν αρκετά πριν εκτελέσετε οποιαδήποτε εργασία στο εργαλείο.

▲ΠΡΟΣΟΧΗ: Η διαδικασία της τοποθέτησης ή αφαίρεσης της αλυσίδας πριονιού θα πρέπει να εκτελείται σε καθαρό μέρος χωρίς πριονίδια και παρόμοια υλικά.

Για να αφαιρέσετε την αλυσίδα πριονιού, εκτελέστε τα ακόλουθα βήματα:

1. Χαλαρώστε τη βίδα ρύθμισης αλυσίδας και μετά το παξιμάδι συγκράτησης.
► **Εικ.15:** 1. Βίδα ρύθμισης αλυσίδας 2. Παξιμάδι συγκράτησης

2. Βγάλτε το κάλυμμα αλυσοτροχού και κατόπιν βγάλτε την αλυσίδα πριονιού και την κατευθυντήρια λάμα από το κύριο τμήμα του εργαλείου.

Για να τοποθετήσετε την αλυσίδα πριονιού, εκτελέστε τα ακόλουθα βήματα:

1. Ελέγξτε την κατεύθυνση της αλυσίδας πριονιού. Αντιστοιχήστε την κατεύθυνση της αλυσίδας πριονιού με αυτή του σημαδιού στο κύριο τμήμα του εργαλείου.
2. Προσαρμόστε το ένα άκρο της αλυσίδας πριονιού στο επάνω μέρος της κατευθυντήριας λάμας. Προσαρμόστε το άλλο άκρο της αλυσίδας πριονιού γύρω από τον αλυσοτροχό. Βεβαιωθείτε ότι η αλυσίδα πριονιού έχει τοποθετηθεί σωστά στο αλυσοτροχό και ότι έχει τοποθετηθεί σωστά στην εγκοπή της κατευθυντήριας λάμας.
3. Προσαρτήστε την κατευθυντήρια λάμα στο κύριο τμήμα του εργαλείου, ευθυγραμμίζοντας την οπή στην κατευθυντήρια λάμα με τον πείρο στο κύριο τμήμα του εργαλείου.
► **Εικ.16:** 1. Αλυσοτροχός 2. Οπή
4. Εισαγάγετε την προεξοχή στο κάλυμμα αλυσοτροχού μέσα στο κύριο τμήμα του εργαλείου και μετά κλείστε το κάλυμμα ώστε το μπουλόνι και ο πείρος στο κύριο τμήμα του εργαλείου να ταιριάζουν με τα αντίστοιχα μέρη τους στο κάλυμμα.
► **Εικ.17:** 1. Προεξοχή 2. Κάλυμμα αλυσοτροχού 3. Μπουλόνι 4. Πείρος

5. Σφίξτε το παξιμάδι συγκράτησης για να στερεώσετε το κάλυμμα αλυσοτροχού, έπειτα χαλαρώστε το λίγο για τη ρύθμιση της τάσης.
► **Εικ.18:** 1. Παξιμάδι συγκράτησης

Ρύθμιση τέντωματος της αλυσίδας πριονιού

⚠ ΠΡΟΣΟΧΗ: Μην σφίξετε την αλυσίδα πριονιού υπερβολικά. Το υπερβολικό τέντωμα της αλυσίδας πριονιού μπορεί να προκαλέσει το σπάσιμο της αλυσίδας πριονιού και τη φθορά της κατευθυντήριας λάμας.

⚠ ΠΡΟΣΟΧΗ: Εάν η αλυσίδα είναι πολύ χαλαρή, μπορεί να αναπηδήσει από τη λάμα και να προκαλέσει ατύχημα με τραυματισμό.

Μετά από πολλές ώρες εργασίας, η αλυσίδα πριονιού μπορεί να χαλαρώσει. Περιστασιακά, να ελέγχετε το τέντωμα της αλυσίδας πριονιού πριν από τη χρήση.

1. Χαλαρώστε λίγο το παξιμάδι συγκράτησης για να χαλαρώσετε ελαφρά το κάλυμμα αλυσοτροχού.

▶ **Εικ.19:** 1. Παξιμάδι συγκράτησης

2. Σηκώστε τη μύτη της κατευθυντήριας λάμας λίγο προς τα πάνω και ρυθμίστε το τέντωμα αλυσίδας. Περιστρέψτε τη βίδα ρύθμισης αλυσίδας αριστερόστροφα για σφίξιμο, περιστρέψτε τη δεξιόστροφα για χαλάρωση.

Σφίξτε την αλυσίδα πριονιού μέχρι η κάτω πλευρά της αλυσίδας πριονιού να ταιριάζει στη ράγα της κατευθυντήριας λάμας όπως απεικονίζεται.

▶ **Εικ.20:** 1. Κατευθυντήρια λάμα 2. Αλυσίδα πριονιού 3. Βίδα ρύθμισης αλυσίδας

3. Συνεχίστε να κρατάτε την κατευθυντήρια λάμα ελαφρά και προσαρτήστε το κάλυμμα αλυσοτροχού.

Βεβαιωθείτε ότι η αλυσίδα πριονιού δεν χαλαρώνει στην κάτω πλευρά.

4. Σφίξτε το παξιμάδι συγκράτησης για να ασφαλίσετε το κάλυμμα αλυσοτροχού.

▶ **Εικ.21:** 1. Παξιμάδι συγκράτησης

Τοποθέτηση ή αφαίρεση του γωνιακού προσαρτήματος

Προαιρετικό εξάρτημα

⚠ ΠΡΟΣΟΧΗ: Πριν την τοποθέτηση ή αφαίρεση του γωνιακού προσαρτήματος, βεβαιωθείτε να προσαρτήσετε το κάλυμμα κατευθυντήριας λάμας στο εργαλείο.

Μπορείτε να αλλάξετε τη γωνία της κεφαλής εργαλείου αν προσαρτήσετε το γωνιακό προσάρτημα στο εργαλείο.

1. Χαλαρώστε τον ασφαλιστικό δακτύλιο περιστρέφοντας τον ασφαλιστικό δακτύλιο αριστερόστροφα, μετά επεκτείνετε τον σωλήνα περίπου 10 cm ή περισσότερο και σφίξτε τον ασφαλιστικό δακτύλιο περιστρέφοντας τον ασφαλιστικό δακτύλιο δεξιόστροφα.

▶ **Εικ.22:** 1. 10 cm ή περισσότερο 2. Ασφαλιστικός δακτύλιος 3. Σωλήνας

2. Χαλαρώστε 2 μπουλόνια με το εξαγωνικό κλειδί και, στη συνέχεια, αφαιρέστε τον σωλήνα από την κεφαλή του εργαλείου.

▶ **Εικ.23:** 1. Μπουλόνι

3. Αφαιρέστε τα καπάκια από το γωνιακό

προσάρτημα.

▶ **Εικ.24:** 1. Καπάκι

4. Ευθυγραμμίστε την οπή στον σωλήνα με αυτή στο προσάρτημα και, στη συνέχεια, εισαγάγετε τον σωλήνα μέσα στο προσάρτημα.

▶ **Εικ.25:** 1. Οπή 2. Μπουλόνι 3. Σωλήνας

5. Σφίξτε 2 μπουλόνια για να στερεώσετε το προσάρτημα.

▶ **Εικ.26:** 1. Μπουλόνι

6. Προσαρτήστε την κεφαλή του εργαλείου στο προσάρτημα.

Για να στερεώσετε την κεφαλή του εργαλείου κατακόρυφα, στερεώστε το προσάρτημα σφίγγοντας το μπουλόνι στην οπή στο προσάρτημα που απεικονίζεται στην εικόνα και, στη συνέχεια, σφίξτε το άλλο μπουλόνι.

▶ **Εικ.27:** 1. Μπουλόνι 2. Οπή

Για να στερεώσετε την κεφαλή του εργαλείου οριζόντια, στερεώστε το προσάρτημα σφίγγοντας το μπουλόνι στην οπή στο προσάρτημα που απεικονίζεται στην εικόνα και, στη συνέχεια, σφίξτε το άλλο μπουλόνι.

▶ **Εικ.28:** 1. Μπουλόνι 2. Οπή

Για να αφαιρέσετε το γωνιακό προσάρτημα, ακολουθήστε τη διαδικασία τοποθέτησης με αντίστροφη σειρά.

ΛΕΙΤΟΥΡΓΙΑ

Λίπανση

ΕΙΔΟΠΟΙΗΣΗ: Όταν γεμίσετε με λάδι αλυσίδας για πρώτη φορά, ή σε επακόλουθη πλήρωση του δοχείου όταν αυτό έχει αδειάσει εντελώς, προσθέστε λάδι μέχρι το κάτω μέρος του στομίου πλήρωσης. Διαφορετικά, μπορεί να παρεμποδίζεται η παροχή λαδιού.

ΕΙΔΟΠΟΙΗΣΗ: Χρησιμοποιήστε το λάδι αλυσίδας πριονιού αποκλειστικά για αλυσοπρίονα Makita ή ισοδύναμο λάδι που διατίθεται στην αγορά.

ΕΙΔΟΠΟΙΗΣΗ: Να μη χρησιμοποιείτε ποτέ λάδι που περιέχει ίχνη σκόνης και σωματίδια ή πηκτικό λάδι.

ΕΙΔΟΠΟΙΗΣΗ: Στο κλάδεμα δέντρων, να χρησιμοποιείτε βοτανικό λάδι. Το ορυκτέλαιο μπορεί να βλάψει τα δέντρα.

ΕΙΔΟΠΟΙΗΣΗ: Πριν από τη λειτουργία κοπής, βεβαιωθείτε ότι βιδώσατε το καπάκι δοχείου λαδιού που παρέχεται.

Όταν το εργαλείο βρίσκεται σε λειτουργία γίνεται αυτόματη λίπανση της αλυσίδας πριονιού. Ελέγξτε περιοδικά την ποσότητα του υπολειπόμενου λαδιού εντός του δοχείου λαδιού.

▶ **Εικ.29:** 1. Δοχείο λαδιού

Για να επαναπληρώσετε το δοχείο, τοποθετήστε το εργαλείο σε μια επίπεδη επιφάνεια, κατόπιν πατήστε το κουμπί στο καπάκι δοχείου λαδιού ώστε το κουμπί στην άλλη πλευρά να σηκωθεί. Μετά, βγάλτε το καπάκι δοχείου λαδιού περιστρέφοντάς το.

Η σωστή ποσότητα λαδιού είναι 160 ml. Αφού επαναπληρώσετε το δοχείο, βεβαιωθείτε ότι το καπάκι δοχείου λαδιού είναι καλά σφισμένο.

- **Εικ.30:** 1. Καπάκι δοχείου λαδιού 2. Σφίξτε
3. Ξεσφίξτε

ΠΑΡΑΤΗΡΗΣΗ: Αν είναι δύσκολο να αφαιρέσετε το καπάκι δοχείου λαδιού, εισαγάγετε το σωληνωτό κλειδί στη σχισμή του καπακιού δοχείου λαδιού και μετά βγάλτε το καπάκι δοχείου λαδιού περιστρέφοντάς το αριστερόστροφα.

- **Εικ.31:** 1. Σχισμή 2. Σωληνωτό κλειδί

Μετά την επαναπλήρωση, κρατήστε το εργαλείο μακριά από το δέντρο. Θέστε το σε λειτουργία και περιμένετε, έως ότου η αλυσίδα πριονιού λιπανθεί επαρκώς.

- **Εικ.32**

Σύνδεση του ιμάντα ώμου

▲ΠΡΟΣΟΧΗ: Όταν χρησιμοποιείτε το εργαλείο σε συνδυασμό με ηλεκτρική παροχή τύπου σακιδίου, όπως τη φορητή ηλεκτρική τροφοδότηση, μην χρησιμοποιείτε τον ιμάντα ώμου που περιλαμβάνεται στη συσκευασία του εργαλείου, αλλά να χρησιμοποιείτε τον κρεμάμενο ιμάντα που συνιστά η Makita.

Αν φορέσετε τον ιμάντα ώμου που περιλαμβάνεται στη συσκευασία του εργαλείου και τον ιμάντα ώμου της ηλεκτρικής παροχής τύπου σακιδίου ταυτόχρονα, η αφαίρεση του εργαλείου ή της ηλεκτρικής παροχής τύπου σακιδίου είναι δύσκολη στην περίπτωση έκτακτης ανάγκης, και μπορεί να προκληθεί ατύχημα ή τραυματισμός. Για τον συνιστώμενο κρεμάμενο ιμάντα, ρωτήστε στα εξουσιοδοτημένα κέντρο σέρβις της Makita.

▲ΠΡΟΣΟΧΗ: Να χρησιμοποιείτε πάντα τον ιμάντα ώμου που είναι προσαρτημένος στο εργαλείο. Πριν τη λειτουργία, προσαρμόστε τον ιμάντα ώμου ανάλογα με το σωματικό μέγεθος του χρήστη για να αποφευχθεί η κόπωση.

▲ΠΡΟΣΟΧΗ: Πριν από τη λειτουργία, βεβαιωθείτε ότι ο ιμάντας ώμου είναι σωστά προσαρτημένος στον αναρτήρα στο εργαλείο.

▲ΠΡΟΣΟΧΗ: Πριν τη λειτουργία, βεβαιωθείτε ότι η πόρπη του ιμάντα ώμου είναι δεμένη καλά.

▲ΠΡΟΣΟΧΗ: Να χρησιμοποιείτε πάντα τον ιμάντα ώμου που είναι αποκλειστικός για αυτό το εργαλείο. Μην χρησιμοποιείτε άλλους ιμάντες ώμου.

1. Τοποθετήστε τον ιμάντα ώμου και δέστε την πόρπη.

- **Εικ.33:** 1. Πόρπη

ΠΑΡΑΤΗΡΗΣΗ: Όταν αφαιρείτε τον ιμάντα ώμου, απασφαλίστε την πόρπη και αφαιρέστε τον ιμάντα ώμου.

2. Ρυθμίστε τον ιμάντα ώμου σε μια άνετη θέση εργασίας.

- **Εικ.34**

3. Πιάστε το γάντζο του ιμάντα ώμου στον αναρτήρα του εργαλείου.

- **Εικ.35:** 1. Γάντζος 2. Αναρτήρας

Ο ιμάντας ώμου διαθέτει εξάρτημα ταχείας αποσύνδεσης. Απλώς πιέστε τα πλαινά της πόρπης για να αποδεσμεύσετε τον ιμάντα ώμου.

- **Εικ.36:** 1. Πόρπη

Εργασία με το εργαλείο

▲ΠΡΟΣΟΧΗ: Κρατάτε όλα τα μέρη του σώματός σας μακριά από την αλυσίδα πριονιού όταν το μοτέρ λειτουργεί.

▲ΠΡΟΣΟΧΗ: Κρατάτε το εργαλείο γερά με τα δύο σας χέρια όταν το μοτέρ λειτουργεί.

▲ΠΡΟΣΟΧΗ: Μην υποβάλλετε σε υπερπροσπάθεια. Κρατάτε πάντα σταθερό πάτημα και την ισορροπία σας.

▲ΠΡΟΣΟΧΗ: Όταν κόβετε μέσα από κλαδιά, προσέχετε να μην χάσετε την ισορροπία σας λόγω του βάρους της κεφαλής του εργαλείου.

▲ΠΡΟΣΟΧΗ: Να έχετε πάντα μια διαδρομή διαφυγής στην περίπτωση που ένα κομμένο κλαδί πέσει προς τη μεριά του χειριστή.

▲ΠΡΟΣΟΧΗ: Μην χρησιμοποιείτε ποτέ τη μύτη της κατευθυντήριας λάμας για κοπή. Διαφορετικά, μπορεί να συμβεί επικίνδυνο κόσμημα και να έχει ως αποτέλεσμα προσωπικό τραυματισμό.

ΕΙΔΟΠΟΙΗΣΗ: Ποτέ μην πετάτε και μην ρίχνετε κάτω το εργαλείο.

ΕΙΔΟΠΟΙΗΣΗ: Μην καλύπτετε τις οπές αερισμού του εργαλείου.

ΕΙΔΟΠΟΙΗΣΗ: Μην ασκείτε δύναμη στο εργαλείο. Διαφορετικά, μπορεί να προκληθεί ζημιά στο εργαλείο.

Σταθείτε σε μια σταθερή επιφάνεια και κρατήστε το εργαλείο μακριά από τα κλαδιά, ώστε η κλίση του εργαλείου να γίνει 60° ή λιγότερο σε σχέση με το οριζόντιο έδαφος.

- **Εικ.37:** 1. 60° ή λιγότερο

Ξεκινήστε τη λειτουργία του εργαλείου και μετά πιέστε ελαφρά την αλυσίδα πριονιού επάνω στο κλαδί.

Όταν κόβετε μακριά κλαδιά, για να διατηρείτε τον έλεγχο της θέσης πτώσης των κομμένων κλαδιών, χωρίστε το κλαδί σε τμήματα και κόψτε το κλαδί από το άκρο. Προσέχετε τα κομμένα κλαδιά επειδή μπορεί να αναπηδήσουν προς τη μεριά του χειριστή αφού χτυπήσουν στο έδαφος.

- **Εικ.38**

Όταν κόβετε χονδρά κλαδιά, δημιουργήστε πρώτα μια ρηχή υποτομή και μετά προχωρήστε με την τελική κοπή από το πάνω μέρος.

- **Εικ.39**

Αν προσπαθείτε να κόψετε τα χονδρά κλαδιά από το κάτω μέρος, το κλαδί μπορεί να γείρει προς τα κάτω και να πιέσει την αλυσίδα πριονιού κατά την κοπή. Αν προσπαθείτε να κόψετε τα χονδρά κλαδιά από το πάνω μέρος χωρίς να δημιουργήσετε πρώτα μια ρηχή υποτομή, το κλαδί μπορεί να σκιστεί.

- **Εικ.40**

Μεταφορά εργαλείου

Πριν μεταφέρετε το εργαλείο, να αφαιρείτε πάντα τις κασέτες μπαταριών από το εργαλείο, μετά να συνδέετε το κάλυμμα κατευθυντήριας λάμας και να κονταίνετε τον σωλήνα. Επίσης, καλύψτε την κασέτα μπαταριών με το κάλυμμα μπαταριών.

- **Εικ.41:** 1. Κάλυμμα κατευθυντήριας λάμας
2. Κάλυμμα μπαταρίας

Χρήση του εργαλείου με φορητή ηλεκτρική τροφοδότηση

Προαιρετικό εξάρτημα

Χρησιμοποιήστε τον κρεμάμενο ιμάντα όταν χρησιμοποιείτε το εργαλείο με φορητή ηλεκτρική τροφοδότηση.

Προσάρτηση του κρεμάμενου ιμάντα

1. Συνδέστε τους γάντζους του κρεμάμενου ιμάντα στους δακτυλίους του ιμάντα ώμου ή της ζώνης μέσης, όπως απεικονίζεται στην εικόνα. Επιλέξτε τον τύπο ιμάντα και τη μέθοδο σύνδεσης που είναι κατάλληλα για τη χρήση σας.

► **Εικ.42:** 1. Δακτύλιος 2. Γάντζος

► **Εικ.43:** 1. Δακτύλιος 2. Γάντζος

2. Προσαρτήστε το γάντζο στο εργαλείο.

► **Εικ.44:** 1. Γάντζος

Αποσύνδεση του εργαλείου

Όταν αφήνετε κάτω το εργαλείο, απασφαλίστε την πόρπη στον κρεμάμενο ιμάντα με το ένα χέρι ενώ κρατάτε το εργαλείο με το άλλο χέρι.

► **Εικ.45:** 1. Πόρπη

ΠΑΡΑΤΗΡΗΣΗ: Η πόρπη μπορεί να μην υπάρχει, ανάλογα με τον τύπο ιμάντα.

Αν πρέπει να απελευθερώσετε το εργαλείο γρήγορα, ακολουθήστε τα παρακάτω βήματα.

1. Σπρώξτε τους μοχλούς στην πόρπη της ζώνης μέσης για να απασφαλίσετε την πόρπη.

► **Εικ.46:** 1. Πόρπη 2. Μοχλός

2. Βγάλτε τον ιμάντα ώμου για να απελευθερώσετε το εργαλείο και τη μονάδα.

► **Εικ.47:** 1. Ιμάντας ώμου

ΣΥΝΤΗΡΗΣΗ

▲ ΠΡΟΣΟΧΗ: Πριν την εκτέλεση εργασιών επιθεώρησης ή συντήρησης, πάντοτε να βεβαιώνετε ότι η συσκευή απενεργοποιήθηκε και η κασέτα μπαταριών έχει αφαιρεθεί.

▲ ΠΡΟΣΟΧΗ: Να φοράτε πάντα γάντια όταν εκτελείτε έλεγχο ή συντήρηση.

ΕΙΔΟΠΟΙΗΣΗ: Μην χρησιμοποιείτε ποτέ βενζίνη, πετρελαϊκό αιθέρα, διαλυτικό, αλκοόλη ή παρόμοιες ουσίες. Μπορεί να προκληθεί αποχρωματισμός, παραμόρφωση ή ρωγμές.

Για τη διατήρηση της ΑΣΦΑΛΕΙΑΣ και ΑΞΙΟΠΙΣΤΙΑΣ του προϊόντος, οι επισκευές και οποιαδήποτε άλλη εργασία συντήρησης ή ρύθμισης πρέπει να εκτελούνται από εξουσιοδοτημένα ή εργοστασιακά κέντρα εξυπηρέτησης της Makita, χρησιμοποιώντας πάντοτε ανταλλακτικά της Makita.

Ακόνισμα της αλυσίδας πριονιού

Να τροχίζετε την αλυσίδα πριονιού όταν:

- Παράγεται αλευρώδες πριονίδι κατά την κοπή υγρού ξύλου,
- Η αλυσίδα διαπερνά το ξύλο με δυσκολία, ακόμη και όταν ασκείται μεγάλη πίεση,
- Είναι προφανές ότι η ακμή κοπής έχει υποστεί ζημία,
- Το πριόνι ωθείται αριστερά ή δεξιά εντός του ξύλου. (προκαλείται από ακανόνιστο ακόνισμα της αλυσίδας πριονιού ή βλάβη μόνο στη μία πλευρά)

Να ακονίζετε την αλυσίδα πριονιού συχνά, αλλά λίγο κάθε φορά. Δύο ή τρία περάσματα με τη λίμα επαρκούν συνήθως για λόγους τροχίσματος ρουτίνας. Όταν έχετε επαναλάβει το ακόνισμα της αλυσίδας πριονιού αρκετές φορές, ζητήστε να ακονιστεί σε ένα εξουσιοδοτημένο κέντρο σέρβις μας.

Κριτήρια ακονίσματος:

▲ ΠΡΟΕΙΔΟΠΟΙΗΣΗ: Μια μεγάλη απόσταση μεταξύ του άκρου κοπής και του ρυθμιστή βάθους αυξάνει τον κίνδυνο κλοστήματος.

► **Εικ.48:** 1. Μήκος κόπτη 2. Απόσταση μεταξύ άκρου κοπής και ρυθμιστή βάθους 3. Ελάχιστο μήκος κόπτη (3 mm)

- Όλο το μήκος κόπτη πρέπει να είναι ίσο. Τα διαφορετικά μήκη κοπών εμποδίζουν την ομαλή λειτουργία της αλυσίδας πριονιού και μπορεί να προκαλέσουν το σπάσιμο της αλυσίδας πριονιού.
- Μην ακονίζετε την αλυσίδα όταν το ελάχιστο μήκος κοπών έχει φτάσει στα 3 mm ή λιγότερο. Η αλυσίδα πρέπει να αντικατασταθεί με μια καινούρια.
- Το πάχος θραυσμάτων καθορίζεται από την απόσταση μεταξύ του ρυθμιστή βάθους (στρογγυλή μύτη) και του άκρου κοπής.
- Θα έχετε τα καλύτερα αποτελέσματα κοπής με την ακόλουθη απόσταση μεταξύ του άκρου κοπής και του ρυθμιστή βάθους.
 - Λεπίδα αλυσίδας 90PX / 91PX / M41 / M43: 0,65 mm

► **Εικ.49**

- Όλοι οι κόπτες θα πρέπει να έχουν την ίδια γωνία ακονίσματος των 30°. Οι διαφορετικές γωνίες κόπτη αναγκάζουν την αλυσίδα να κινείται δύσκολα και ανομοιόμορφα, επιταχύνουν η φθορά και προκαλούν σπάσιμο της αλυσίδας.
- Χρησιμοποιήστε μια κατάλληλη στρογγυλή λίμα ώστε να διατηρείται η σωστή γωνία ακονίσματος σε σχέση με τα δόντια.
 - Λεπίδα αλυσίδας 90PX / 91PX / M41 / M43:

Λίμα και καθοδήγηση λίμας

- Να χρησιμοποιείτε ειδική στρογγυλή λίμα (προαιρετικό εξάρτημα) για αλυσίδες πριονιού για να ακονίσετε την αλυσίδα. Οι συνηθισμένες στρογγυλές λίμες δεν είναι κατάλληλες.
- Η διάμετρος της στρογγυλής λίμας για κάθε αλυσίδα πριονιού είναι η εξής:
 - Λεπίδα αλυσίδας 90PX: 4,5 mm
 - Λεπίδα αλυσίδας 91PX / M41/ M43 : 4,0 mm
- Η λίμα θα πρέπει να έρχεται σε επαφή με τον κόπτη μόνο κατά την εμπρόσθια κίνηση. Ανασηκώστε τη λίμα από τον κόπτη κατά τη διαδρομή επιστροφής.
- Ακονίστε πρώτα τον πιο κοντό κόπτη. Μετά, το μήκος αυτού του πιο κοντού κόπτη γίνεται το πρότυπο για όλους τους άλλους κόπτες στην αλυσίδα πριονιού.
- Να οδηγείτε τη λίμα όπως υποδεικνύεται στην εικόνα.

► **Εικ.50:** 1. Λίμα 2. Αλυσίδα πριονιού

- Η οδήγηση της λίμας καθίσταται πιο εύκολη, εάν χρησιμοποιείτε συγκρατητήρα λίμας (προαιρετικό εξάρτημα). Ο συγκρατητήρας λίμας διαθέτει ενδείξεις για την κατάλληλη γωνία τροχίσματος 30° (ευθυγραμμίστε τις ενδείξεις παράλληλα με την αλυσίδα πριονιού) και περιορίζει το βάθος διείδυσης (σε 4/5 της διαμέτρου της λίμας).

► **Εικ.51:** 1. Συγκρατητήρας λίμας

- Μετά από το τρόχισμα της αλυσίδας, ελέγξτε το ύψος του ρυθμιστή βάθους κοπής χρησιμοποιώντας το εργαλείο μέτρησης αλυσίδας (προαιρετικό εξάρτημα).

► **Εικ.52**

- Αφαιρέστε τυχόν προεξέχον υλικό, όσο μικρό και εάν είναι, με ειδική επίπεδη λίμα (προαιρετικό εξάρτημα).
- Αποτελειώστε το μπροστινό μέρος του ρυθμιστή βάθους κοπής ξανά.

Καθαρισμός της κατευθυντήριας λάμας

Ρινίσματα και πριονόσκονη θα συσσωρευτούν στην εγκοπή της κατευθυντήριας λάμας. Μπορεί να βουλώσουν την εγκοπή της λάμας και να ελαττώσουν τη ροή του λαδιού. Να καθαρίζετε τα ρινίσματα και την πριονόσκονη κάθε φορά που ακονίζετε ή αντικαθιστάτε την αλυσίδα πριονιού.

► **Εικ.53**

Καθαρισμός του καλύμματος αλυστροχού

Στο εσωτερικό του καλύμματος αλυστροχού θα συσσωρευτούν ρινίσματα και πριονόσκονη. Αφαιρέστε το

Οδηγίες για περιοδική συντήρηση

Για τη διασφάλιση της μακράς ζωής λειτουργίας, την αποφυγή της ζημιάς και τη διασφάλιση της πλήρους λειτουργικότητας των δυνατοτήτων ασφάλειας, πρέπει να εκτελείτε τις ακόλουθες εργασίες συντήρησης σε τακτά χρονικά διαστήματα. Η εγγύηση θα αναγνωριστεί μόνο εάν εκτελείτε σωστά τις εργασίες αυτές σε τακτά χρονικά διαστήματα. Εάν δεν εκτελέσετε τις συνιστώμενες εργασίες συντήρησης, μπορεί να προκληθούν ατυχήματα! Ο χρήστης του

κάλυμμα αλυστροχού και την αλυσίδα πριονιού από το εργαλείο και μετά καθαρίστε τα ρινίσματα και την πριονόσκονη.

► **Εικ.54**

Καθαρισμός οπής παροχής λαδιού

Μπορεί να παρουσιαστεί συσσώρευση σκόνης και σωματιδίων εντός της οπής παροχής λαδιού στη διάρκεια της λειτουργίας. Αυτή η σκόνη ή σωματίδια μπορεί να παρεμποδίζει τη ροή λαδιού και να προκαλέσει ανεπαρκή λίπανση ολόκληρης της αλυσίδας πριονιού. Όταν παρατηρηθεί κακή παροχή λαδιού λίπανσης στο πάνω μέρος της κατευθυντήριας λάμας, καθαρίστε την οπή παροχής λαδιού ως ακολούθως.

1. Αφαιρέστε το κάλυμμα αλυστροχού και την αλυσίδα πριονιού από το εργαλείο.

2. Αφαιρέστε τη σκόνη ή τα μικρά σωματίδια χρησιμοποιώντας ένα καταβίδι με επίπεδη μύτη ή κάποιο παρόμοιο εργαλείο.

► **Εικ.55:** 1. Καταβίδι με επίπεδη μύτη 2. Οπή παροχής λαδιού

3. Τοποθετήστε την κασέτα μπαταριών στο εργαλείο. Τραβήξτε τη σκανδάλη διακόπτη ώστε η συσσωρευμένη σκόνη και τα σωματίδια να αποβληθούν από την οπή παροχής λαδιού μέσω της ροής λαδιού.

4. Αφαιρέστε την κασέτα μπαταριών από το εργαλείο. Τοποθετήστε εκ νέου την αλυσίδα πριονιού και το κάλυμμα αλυστροχού στο εργαλείο.

Αντικατάσταση του αλυστροχού

▲ ΠΡΟΣΟΧΗ: Ένας φθαρμένος αλυστροχός θα προκαλέσει φθορά στη νέα αλυσίδα πριονιού. Σε αυτή την περίπτωση αντικαταστήστε τον αλυστροχό.

Πριν από την τοποθέτηση μιας νέας αλυσίδας πριονιού, ελέγξτε την κατάσταση του αλυστροχού. Αν ο αλυστροχός είναι φθαρμένος ή έχει ζημιά, απευθυνθείτε σε εξουσιοδοτημένα κέντρα σέρβις της Makita για αντικατάσταση.

► **Εικ.56:** 1. Αλυστροχός 2. Φθαρμένες περιοχές

Αποθήκευση του εργαλείου

1. Καθαρίστε το εργαλείο πριν από τη φύλαξη. Αφαιρέστε τυχόν ροκανίδια και πριονίδι από το εργαλείο μετά από την αφαίρεση του καλύμματος αλυστροχού.

2. Μετά από τον καθαρισμό του εργαλείου, αφήστε το σε λειτουργία χωρίς φορτίο ώστε να λιπανθεί η αλυσίδα πριονιού και η κατευθυντήρια λάμα.

3. Καλύψτε την κατευθυντήρια λάμα με το κάλυμμα κατευθυντήριας λάμας και μετά κοντύνετε τον σωλήνα.

4. Αδειάστε το δοχείο λαδιού.

εργαλείο δεν πρέπει να εκτελεί εργασίες συντήρησης που δεν περιγράφονται στο εγχειρίδιο οδηγιών. Όλες αυτές οι εργασίες πρέπει να εκτελούνται από εξουσιοδοτημένο κέντρο σέρβις.

Στοιχείο ελέγχου / Χρόνος λειτουργίας		Πριν από τη λειτουργία	Κάθε ημέρα	Κάθε εβδομάδα	Κάθε 3 μήνες	Κάθε χρόνο	Πριν από την αποθήκευση
Ολόκληρο το εργαλείο	Επιθεωρήστε.	✓	-	-	-	-	-
	Καθαρίστε.	-	✓	-	-	-	-
	Ελέγξτε σε εξουσιοδοτημένο κέντρο σέρβις.	-	-	-	-	✓	✓
Αλυσίδα πριονιού	Επιθεωρήστε.	✓	-	-	-	-	-
	Ακονίστε εάν απαιτείται.	-	-	-	-	-	✓
Κατευθυντήρια λάμα	Επιθεωρήστε.	✓	✓	-	-	-	-
	Αφαιρέστε από το εργαλείο.	-	-	-	-	-	✓
Λίπανση αλυσίδας	Ελέγξτε την παροχή τροφοδοσίας λαδιού.	✓	-	-	-	-	-
Σκανδάλη διακόπτης	Επιθεωρήστε.	✓	-	-	-	-	-
Μοχλός ασφάλισης	Επιθεωρήστε.	✓	-	-	-	-	-
Καπάκι δοχείου λαδιού	Ελέγξτε ότι είναι σφικμένο.	✓	-	-	-	-	-
Βίδες και παξιμάδια	Επιθεωρήστε.	-	-	✓	-	-	-

ΑΝΤΙΜΕΤΩΠΙΣΗ ΠΡΟΒΛΗΜΑΤΩΝ

Πριν ζητήσετε επισκευές, εκτελέστε αρχικά τη δική σας επιθεώρηση. Αν εντοπίσετε πρόβλημα που δεν επεξηγείται στο εγχειρίδιο, μην επιχειρήσετε να αποσυναρμολογήσετε το εργαλείο. Αντ' αυτού, ζητήστε βοήθεια από εξουσιοδοτημένα κέντρα εξυπηρέτησης της Makita και πάντοτε να χρησιμοποιείτε γνήσια ανταλλακτικά της Makita.

Κατάσταση δυσλειτουργίας	Αιτία	Ενέργεια
Το εργαλείο δεν ξεκινά.	Δεν είναι τοποθετημένη η κασέτα μπαταριών.	Τοποθετήστε μια φορτισμένη κασέτα μπαταριών.
	Πρόβλημα μπαταρίας (χαμηλή τάση).	Επαναφορτίστε τις κασέτες μπαταριών. Εάν η επαναφόρτιση δεν είναι αποτελεσματική, αντικαταστήστε την κασέτα μπαταριών.
	Ο διακόπτης κύριας λειτουργίας είναι ανενεργός.	Το εργαλείο απενεργοποιείται αυτόματα αν δεν λειτουργεί για μια καθορισμένη χρονική περίοδο. Ενεργοποιήστε ξανά τον διακόπτη κύριας λειτουργίας.
Το μοτέρ σταματά να λειτουργεί μετά από μικρή χρήση.	Το επίπεδο φόρτισης μπαταρίας είναι χαμηλό.	Επαναφορτίστε τις κασέτες μπαταριών. Εάν η επαναφόρτιση δεν είναι αποτελεσματική, αντικαταστήστε την κασέτα μπαταριών.
Δεν υπάρχει λάδι στην αλυσίδα.	Το δοχείο λαδιού είναι άδειο.	Γεμίστε το δοχείο λαδιού.
	Η εγκοπή οδηγού λαδιού είναι βρόμικη.	Καθαρίστε την εγκοπή.
	Κακή παροχή λαδιού.	Ρυθμίστε την ποσότητα της παροχής λαδιού με τη βίδα ρύθμισης.

Κατάσταση δυσλειτουργίας	Αιτία	Ενέργεια
Το εργαλείο δεν φτάνει τις μέγιστες ΣΑΛ.	Η κασέτα μπαταριών δεν είναι σωστά τοποθετημένη.	Τοποθετήστε τις κασέτες μπαταριών όπως περιγράφεται σε αυτό το εγχειρίδιο.
	Η ισχύς της μπαταρίας μειώνεται.	Επαναφορτίστε την κασέτα μπαταριών. Εάν η επαναφόρτιση δεν είναι αποτελεσματική, αντικαταστήστε την κασέτα μπαταριών.
	Το σύστημα μετάδοσης κίνησης δεν λειτουργεί σωστά.	Απευθυνθείτε στο εξουσιοδοτημένο κέντρο σέρβις της περιοχής σας για επίσκευή.
Η λυχνία κύριας λειτουργίας αναβοσβήνει με πράσινο χρώμα.	Τραβήξτε τη σκανδάλη διακόπτη κάτω από μη λειτουργικές συνθήκες.	Τραβήξτε τη σκανδάλη διακόπτη αφού ενεργοποιήσετε το διακόπτη κύριας λειτουργίας.
Ασυνήθιστοι κραδασμοί: Διακόψτε αμέσως τη λειτουργία του εργαλείου!	Η κατευθυντήρια λάμα ή η αλυσίδα πριονιού είναι χαλαρή.	Ρυθμίστε την κατευθυντήρια λάμα και το τέντωμα της αλυσίδας πριονιού.
	Δυσλειτουργία εργαλείου.	Απευθυνθείτε στο εξουσιοδοτημένο κέντρο σέρβις της περιοχής σας για επίσκευή.
Ο τρόπος λειτουργίας ενίσχυσης ροπής δεν είναι διαθέσιμος μετά την αντικατάσταση της κασέτας μπαταριών με μια πλήρως φορτισμένη κασέτα μπαταριών.	Ανάλογα με τις συνθήκες χρήσης, ο τρόπος λειτουργίας ενίσχυσης ροπής δεν είναι διαθέσιμος μετά την αντικατάσταση της κασέτας μπαταριών.	Χρησιμοποιήστε το εργαλείο στον κανονικό τρόπο λειτουργίας μέχρι η τοποθετημένη κασέτα μπαταριών να αδειάσει και μετά αντικαταστήστε την κασέτα μπαταριών με μια πλήρως φορτισμένη κασέτα μπαταριών, ή επαναφορτίστε την κασέτα μπαταριών.
Η αλυσίδα πριονιού δεν μπορεί να εγκατασταθεί.	Ο συνδυασμός της αλυσίδας πριονιού και του αλυσοτροχού δεν είναι σωστό.	Χρησιμοποιήστε το σωστό συνδυασμό της αλυσίδας πριονιού και του αλυσοτροχού αναφερόμενοι στην ενότητα με τις προδιαγραφές.

ΠΡΟΑΙΡΕΤΙΚΑ ΕΞΑΡΤΗΜΑΤΑ

⚠ ΠΡΟΣΟΧΗ: Αυτά τα εξαρτήματα ή προσαρτήματα συνιστώνται για χρήση με το εργαλείο Makita που περιγράφηκε στις οδηγίες αυτές. Η χρήση οποιωνδήποτε άλλων εξαρτημάτων ή προσαρτημάτων μπορεί να προκαλέσει κίνδυνο τραυματισμού σε άτομα. Να χρησιμοποιείτε τα εξαρτήματα ή προσαρτήματα μόνο για την χρήση που προορίζονται.

Εάν χρειάζεστε οποιαδήποτε βοήθεια για περισσότερες πληροφορίες σε σχέση με αυτά τα εξαρτήματα, απαντήστε στο τοπικό σας κέντρο εξυπηρέτησης Makita.

- Αλυσίδα πριονιού
- Κατευθυντήρια λάμα
- Κάλυμμα κατευθυντήριας λάμας
- Γωνιακό προσάρτημα
- Λίμα
- Γνήσια μπαταρία και φορτιστής της Makita

⚠ ΠΡΟΕΙΔΟΠΟΙΗΣΗ: Αν αγοράσετε μια κατευθυντήρια λάμα με μήκος διαφορετικό από αυτό της τυπικής κατευθυντήριας λάμας, αγοράστε επίσης ένα κατάλληλο κάλυμμα κατευθυντήριας λάμας. Πρέπει να ταιριάζει και να καλύπτει πλήρως την κατευθυντήρια λάμα στο εργαλείο.

ΠΑΡΑΤΗΡΗΣΗ: Μερικά στοιχεία στη λίστα μπορεί να συμπεριλαμβάνονται στη συσκευασία εργαλείου ως στάνταρ εξαρτήματα. Μπορεί να διαφέρουν ανάλογα με τη χώρα.

TEKNİK ÖZELLİKLER

Model:		DUA301
Toplam uzunluk (kılavuz çubuk ve ek parça olmadan)		2.530 - 3.760 mm
Nominal voltaj		D.C. 36 V
Net ağırlık	*1	7,8 kg
	*2	7,8 - 9,0 kg
Standart kılavuz çubuk uzunluğu		30 cm
Önerilen kılavuz çubuk uzunluğu	90PX / 91PX / M41 / M43 ile	25 - 30 cm
Kullanılabilir testere zinciri türü (aşağıdaki tabloya bakın)		90PX / 91PX / M41 / M43
Zincir hızı		0 - 20 m/s (0 - 1.200 m/min)
Zincir yağı tank hacmi		160 cm ³

- Sürekli yapılan araştırma ve geliştirmelerden dolayı, burada belirtilen özellikler önceden bildirilmeksizin değiştirilebilir.
- Teknik özellikler ülkeden ülkeye farklılık gösterebilir.

*1: Ağırlık, en büyük batarya kartuşu ve boş yağ tankı ile, kılavuz çubuk, zincir, omuz askısı ve ek parça olmadan, EN ISO11680-1 standardına göredir.

*2: EPTA Prosedürü 01/2014 uyarınca en hafif ve en ağır ağırlık kombinasyonu. Ağırlık, ekli aksesuar/aksesuarlara ve batarya kartuşuna bağlı olarak farklılık gösterebilir.

Geçerli batarya kartuşu ve şarj aleti

Batarya kartuşu	BL1820B / BL1830B / BL1840B / BL1850B / BL1860B
Şarj aleti	DC18RC / DC18RD / DC18RE / DC18SD / DC18SE / DC18SF / DC18SH / DC18WC

- Yukarıda listelenen batarya kartuşlarının ve şarj aletlerinin bazıları yaşadığınız bölgeye bağlı olarak mevcut olmayabilir.

⚠UYARI: Sadece yukarıda listelenen batarya kartuşlarını ve şarj aletlerini kullanın. Başka batarya kartuşlarının ve şarj aletlerinin kullanılması yaralanma ve/veya yangına neden olabilir.

Önerilen kablo bağlantılı güç kaynağı

Taşınabilir güç ünitesi	PDC01 / PDC1200 / PDC1500
-------------------------	---------------------------

- Yukarıda listelenen kablo bağlantılı güç kaynakları yaşadığınız bölgeye bağlı olarak mevcut olmayabilir.
- Kablo bağlantılı güç kaynağını kullanmadan önce, üzerindeki uyarı işaretlerini ve talimatı okuyun.

Testere zinciri, kılavuz çubuk ve zincir dişlisi kombinasyonu

Testere zinciri türü		90PX / M41	
Zincir bağlantılarının sayısı		40	46
Kılavuz çubuk	Kılavuz çubuk uzunluğu	25 cm	30 cm
	Kesme uzunluğu	240 mm	296 mm
	Diş aralığı	3/8"	
	Zincir kalınlığı	1,1 mm	
	Tip	Zincir dişlisi pala burnu	
Zincir dişlisi	Diş sayısı	6	
	Diş aralığı	3/8"	






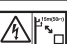






Testere zinciri türü		91PX / M43	
Zincir bağlantılarının sayısı		40	46

Testere zinciri türü		91PX / M43	
Kılavuz çubuk	Kılavuz çubuk uzunluğu	25 cm	30 cm
	Kesme uzunluğu	240 mm	296 mm
	Diş aralığı	3/8"	
	Zincir kalınlığı	1,3 mm	
	Tip	Zincir dişlisi pala burnu	
Zincir dişlisi	Diş sayısı	6	
	Diş aralığı	3/8"	

UYARI: Kılavuz çubuk ile testere zincirinin uygun bir kombinasyonunu kullanın. Aksi takdirde kişisel yaralanmalar meydana gelebilir.

Semboller

Ekipmanı için kullanılacak semboller aşağıda gösterilmiştir. Kullanmadan önce anlamlarını anladığınızdan emin olun.

	Neme maruz bırakmayın.
	Kullanma kılavuzunu okuyun.
	Kask, koruyucu gözlük ve kulak koruyucu takın.
	Koruyucu eldiven giyin.
	Altı kaymayan sağlam ayakkabılar giyin. Çelik burunlu güvenlik ayakkabıları önerilir.
	Elektrik hatlarına karşı dikkatli olun, elektrik çarpması riski.
	En az 15 m uzakta durun.
	İzin verilen maksimum kesme uzunluğu
	Zincir hareketinin yönü
	Zincir yağı tankı
	Sıcak yüzeyler - Parmaklar veya ellerde yanıklara neden olabilir.
	Sadece AB ülkeleri için Ekipmanda tehlikeli bileşenler bulunduğundan dolayı atık elektrikli ve elektronik ekipmanlar, aküler ve bataryalar çevre ve insan sağlığı üzerinde olumsuz etkiye yol açabilir. Elektrikli ve elektronik cihazları veya bataryaları evsel atıklarla birlikte atmayın! Atık elektrikli ve elektronik ekipmanlar ile akümülatörler ve bataryalar hakkındaki Avrupa Direktifi ve söz konusu direktifin ulusal yasalara uyarlanması gereğince atık elektrikli ekipmanlar, bataryalar ve akümülatörler ayrı olarak depolanmalı ve çevre koruma hakkındaki mevzuata uygun olarak faaliyet gösteren ayrı bir kentsel atık toplama noktasına teslim edilmelidir. Bu husus, ekipmanın üzerine yerleştirilmiş üzerinde çarpı işareti bulunan tekerlekli çöp kovası simgesi ile belirtilmiştir.



AB Diş Mekan Gürültü Direktifi uyarınca garanti edilen ses gücü seviyesi.



Avustralya NSW Gürültü Kontrol Mevzuatı uyarınca ses gücü seviyesi

Kullanım amacı

Bu alet dalları budamak için tasarlanmıştır.

Gürültü

Tipik A-ağırlıklı gürültü düzeyi (ISO22868(ISO11680-1) standardına göre belirlenen):

Ses basınç seviyesi (L_{pA}): 92 dB (A)

Ses gücü düzeyi (L_{WA}): 103 dB (A)

Belirsizlik (K): 3 dB (A)

NOT: Beyan edilen gürültü emisyonu değer(ler)i bir standart test yöntemine uygun şekilde ölçülmüştür ve bir aleti bir başkasıyla karşılaştırmak için kullanılabilir.

NOT: Beyan edilen gürültü emisyonu değer(ler)i bir ön maruz kalma değerlendirmesi olarak da kullanılabilir.

UYARI: Kulak koruyucuları takın.

UYARI: Elektrikli aletin gerçek kullanımı sırasındaki gürültü emisyonu, aletin kullanım biçimlerine, özellikle işlenen iş parçasının türüne bağlı olarak beyan edilen değer(ler)den farklı olabilir.

UYARI: Gerçek kullanım koşullarındaki tahmini maruziyeti baz alan, operatörü koruyacak güvenlik önlemlerini mutlaka belirleyin (çalışma döngüsü içerisinde aletin kapalı olduğu ve aktif durumda olmasının yanı sıra boşta çalıştığı zamanlar gibi, bütün zaman dilimleri göz önünde bulundurarak).

Titreşim

Sol kol (Ön sap)		Sağ kol (Arka sap)		Geçerli standart
ah (m/s ²)	Belirsizlik K (m/s ²)	ah (m/s ²)	Belirsizlik K (m/s ²)	
2,5 veya daha az	1,5	2,8	1,5	ISO22867(ISO11680-1)

NOT: Beyan edilen titreşim toplam değer(ler)i bir standart test yöntemine uygun şekilde ölçülmüştür ve bir aleti bir başkasıyla karşılaştırmak için kullanılabilir.

NOT: Beyan edilen titreşim toplam değer(ler)i bir ön maruz kalma değerlendirmesi olarak da kullanılabilir.

⚠UYARI: Elektrikli aletin gerçek kullanımı sırasındaki titreşim emisyonu, aletin kullanım biçimlerine, özellikle işlenen iş parçasının türüne bağlı olarak beyan edilen değer(ler)den farklı olabilir.

⚠UYARI: Gerçek kullanım koşullarındaki tahmini maruziyeti baz alan, operatörü koruyacak güvenlik önlemlerini mutlaka belirleyin (çalışma döngüsü içerisinde aletin kapalı olduğu ve aktif durumda olmasının yanı sıra boşta çalıştığı zamanlar gibi, bütün zaman dilimleri göz önünde bulundurarak).

Uygunluk Beyanları

Sadece Avrupa ülkeleri için

Uygunluk beyanları bu kullanma kılavuzuna Ek A olarak eklenmiştir.

GÜVENLİK UYARILARI

Genel elektrikli alet güvenliği uyarıları

⚠UYARI Bu elektrikli aletle birlikte verilen tüm güvenlik uyarılarını, talimatları, resimli açıklamaları ve teknik özellikleri okuyun. Aşağıda listelenen talimatların herhangi birine uyulmaması elektrik çarpması, yangın ve/veya ciddi yaralanma ile sonuçlanabilir.

Tüm uyarıları ve talimatları ile-ride başvurmak için saklayın.

Uyarılardaki "elektrikli alet" terimi ile ya prizden çalışan (kordonlu) elektrikli aletiniz ya da kendi aküsü ile çalışan (kordonsuz) elektrikli aletiniz kastedilmektedir.

Akülü Yüksek Dal Budama Testeresi Güvenlik Uyarıları

Genel önlemler

1. Aleti çalıştırmadan önce aletin kullanımına aşina olmak için bu kullanma kılavuzunu okuyun.
2. Aleti, aletin kullanımı hakkında yeterli deneyim veya bilgisi olmayan kişilere ödünç vermeyin.
3. Aleti ödünç verirken bu kullanma kılavuzunu mutlaka iştirin.
4. Çocukların ve 18 yaş altındaki gençlerin aleti kullanmalarına izin vermeyin. Onları aletten uzak tutun.
5. Aleti azami özen ve dikkatle kullanın.
6. Alkol veya ilaç aldıktan sonra ya da yorgun veya hasta hissettiğinizde aleti kesinlikle kullanmayın.
7. Alet üzerinde asla değişiklik yapmaya kalkışmayın.

8. Özellikle yıldırım düşmesi riski olan kötü hava koşullarında aleti kullanmayın. Bu şekilde yıldırım çarpması riskini azaltabilirsiniz.
9. Ulusal mevzuat, aletin kullanımını kısıtlayabilir. Aletin kullanımıyla ilgili kendi ülkenizdeki düzenlemeleri takip edin.

Kişisel koruyucu ekipman

1. Uçuşan çer çöp veya düşen nesnelere kendinizi korumak için güvenlik kaskı, koruyucu gözlük ve koruyucu eldiven takın.
2. İşitme kaybını engellemek için kulak tıkacı gibi kulak koruyucu takın.
3. Güvenli çalışma için iş tutumu ve sağlam, kaymaz ayakkabı gibi uygun giysi ve ayakkabı giyin. Bol kıyafet giymeyin veya takı takmayın. Bol kıyafet, takı veya uzun saç hareketli parçalara kaptrınabilir.
4. Testere zinciri ile işlem yaparken veya zincir gerginliğini ayarlarken koruyucu eldiven takın. Testere zinciri çıplak elleri ciddi biçimde kesebilir.

Çalışma alanı güvenliği

1. Aleti elektrik hatları ve iletişim kablolarından (bunlara temas eden tüm dallar dahil) en az 15 m uzaktan tutun. Yüksek gerilim hatlarına aletle dokunulması ya da yaklaşılmaması ölüme ya da ciddi yaralanmalara neden olabilir. Çalışmaya başlamadan önce, çalışma alanının etrafındaki elektrik hatlarına ve elektrikli çitlere dikkat edin.
2. Aleti sadece aydınlık bir ortamda ve gün ışığında kullanın. Aleti karanlıkta ya da sisli havada kullanmayın.
3. Kullanım sırasında, asla sabit olmayan ya da kaygan bir yüzeyde veya dik meyilli bir yerde durmayın. Soğuk mevsimlerde, buz ve kara karşı dikkatli olun ve her zaman yere sağlam bastığınızdan emin olun.
4. Kullanım sırasında, etrafınızdaki kişileri ya da hayvanları aletten en az 15 m uzakta tutun. Biri yaklaştığı anda aleti durdurun.
5. İki veya daha fazla kişi ile çalışırken aranızda en az 15 m veya daha fazla mesafe bırakın ve bir gözlemci bulundurun.
6. Çalıştırmadan önce, çalışma alanında tel örgü, duvar ya da başka katı nesnelere olup olmadığına bakın. Bunlar testere zincirine zarar verebilir.

Hazırlık

1. Aleti monte etmeden veya ayarlamadan önce aleti kapatın ve batarya kartuşunu çıkarın.
2. Testere zinciri ile işlem yapmadan veya zincir gerginliğini ayarlamadan önce koruyucu eldiven takın.
3. Aleti çalıştırmadan önce aleti hasarlara, gevşek vidalara/somunlara veya hatalı montaja karşı kontrol edin. Kör testere zincirini bileyin. Testere zinciri eğilir veya hasar görürse değiştirin. Tüm kontrol kollarını ve anahtarları kontrol ederek rahat çalıştıklarını görün. Sapları temizleyin ve kurulaşın.
4. Alet hasarlı veya tamamen monte edilmemiş ise aleti çalıştırmaya asla kalkışmayın. Aksi takdirde ciddi yaralanmaya neden olabilir.
5. Omuz askısını kullanıcının vücut ölçüsüne uyacak şekilde ayarlayın.
6. Zincir gerginliğini düzgün bir şekilde ayarlayın. Gerekirse zincir yağını doldurun.

Aletin çalıştırılması

1. Aleti çalıştırmadan önce kişisel koruyucu ekipman giyin.
2. Aleti çalıştırmadan önce, çalışma alanında insan veya hayvan olmadığından emin olun.
3. Batarya kartuşunu takarken testere zincirini ve kılavuz çubuğu vücudunuzdan ve yer dahil diğer nesnelere uzak tutun. Çalıştırırken testere zinciri hareket edebilir ve ciddi yaralanmaya veya testere zincirine ve/veya maddi zarara neden olabilir.
4. Aleti sağlam bir zemine koyun. Dengenizi koruyun ve yere sağlam basın.

Kullanım

1. Acil bir durumda, aleti derhal kapatın.
2. İşlem sırasında herhangi bir olağan dışı koşul fark ederseniz (örneğin gürültü, titreşim) aleti kapatın. Durumun nedeni anlaşılıp çözülene kadar aleti kullanmayın.
3. Alet kapatıldıktan sonra kısa bir süre testere zinciri hareket etmeye devam eder. Testere zincirine dokunmak için acele etmeyin.
4. Çalışma sırasında, omuz askısını kullanın. Aleti sağ tarafınızda sıkı bir şekilde tutun.
5. İster sağlak, ister solak olun; ön sapı sol elinizle, arka sapı sağ elinizle tutun. Parmaklarınızı baş parmaklarınızla birlikte sapların etrafına kenetleyin.
6. Bu aleti sadece yalıtımlı kavrama yüzeyinden tutun çünkü testere zinciri görmeyen elektrik kablolarına temas edebilir. Testere zincirinin "akımlı" bir telle temas etmesi uzun erişimli budama aletinin yalıtımsız metal kısımlarını "akımlı" hale getirebilir ve kullanıcıyı elektrik şokuna maruz bırakabilir.
7. Aleti asla tek elle kullanmaya çalışmayın. Kontrolün kaybedilmesi ciddi ya da ölümcül yaralanmalarla sonuçlanabilir. Yaralanma riskini azaltmak için, ellerinizi ve ayaklarınızı testere zincirinden uzak tutun.
8. Fazla ileriye uzanmaya çalışmayın. Her zaman yere sağlam basın ve dengeyi koruyun. Tökezlememek için, ağaç kütükleri, kökler

9. ve çukur alanlar gibi gizli engellere dikkat edin. Düşen dalları ve diğer nesnelere ortadan kaldırın.
9. Kontrol kaybindan sakınmak için asla bir merdivenin üzerinde veya ağaçta çalışmayın.
10. Alet ağır bir darbe alırsa ya da düşerse, çalışmaya devam etmeden önce durumunu kontrol edin. Herhangi bir hasar veya tereddüt durumunda kontrol ve onarım için Makita yetkili servis merkezimize başvurun.
11. Aletin başlığına dokunmayın. Aletin başlığı çalışma sırasında ısınır.
12. Yorgunluk nedeniyle kontrol kaybı oluşmasını önlemek için dinlenin. Saatte bir 10 ila 20 dakika dinlenmeniz önerilir.
13. Aleti kısa bir süreliğine bile olsa bıraktığınızda, daima aleti kapatın ve batarya kartuşunu çıkarın. Çalışır haldeyken gözetimsiz bir şekilde bırakılan alet yetkisiz bir kişi tarafından kullanılabilir ve ciddi kazalara sebep olabilir.
14. Aleti kullanırken sağ elinizi omuz yüksekliğini üzerine kaldırmayın.
15. Kullanım sırasında testere zincirini asla taş ve çivi gibi sert nesnelere vurmeyin. Duvar, tel çit veya benzerlerine yakın dalları keserken daha dikkatli olun.
16. Dallar alete takılırsa mutlaka aleti durdurun ve batarya kartuşunu çıkarın. Aksi takdirde yanlışlıkla çalıştırmak ciddi yaralanmaya sebep olabilir.
17. Testere zinciri tıkanırca temizlemeden önce mutlaka aleti kapatın ve batarya kartuşunu çıkarın.
18. Testere zinciri tıkanmış haldeyken aletin hızlandırılması yükü artırır ve alete zarar verir.
19. Dalları kesmeden önce düşen daldan kaçacak bir alan bırakın. Önce dallar gibi engelleri çalışma alanından kaldırın. Tüm alet ve eşyaları kaçış alanından başka güvenli bir yere taşıyın.
20. Dalları kesmeden önce dalların durumunu, bitişikteki ağaçları, rüzgar yönünü, vb. dikkate alarak dalların düşme yönünü kontrol edin. Dalın düşme yönüne ve yere vuran dalın geri sekmesine azami dikkat edin.
21. Aleti asla 60° den daha fazla bir açıda tutmayın. Aksi takdirde düşen nesnelere kullanıcıya çarparak ciddi yaralanmaya neden olabilir. Asla kesilmekte olan dalın altında durmayın.
22. Kırık veya eğik dallara dikkat edin. Bunlar kesim sırasında sekerek beklenmedik yaralanmaya neden olabilir.
23. Kesmeyi planladığınız dalları kesmeden önce bunların etrafındaki dalları ve yaprakları temizleyin. Aksi takdirde testere zinciri bunlara takılabilir.
24. Testere zincirinin kesim kanalına takılmasını önlemek için testere zincirini kesim kanalından çekmeden kolu bırakmayın.
25. Testere zinciri kesim kanalında sıkışırsa derhal aleti durdurun, kesim kanalını açmak için dalı dikkatlice oynatın ve ardından testere zincirini bırakın.
26. Geri tepmeden (kullanıcıya doğru döner tepkisel güç) sakının. Geri tepmeyi önlemek için

asla kılavuz çubuk burnunu kullanmayın veya delici kesim yapmayın. Kılavuz çubuk burnunun konumuna her zaman dikkat edin.

27. Zincir gerginliğini sık sık kontrol edin. Zincir gerginliğini kontrol ederken veya ayarlarken aleti kapatın ve batarya kartuşunu çıkarın. Gerginlik gevşekse gerdirin.

Titreşim

1. Aşırı titreşime maruz kalmak kullanıcının kan damarlarına veya sinir sistemine zarar verir ve parmaklarda, ellerde veya bileklerde aşağıdaki belirtilere neden olur: “Uyuklama” (uyuşma), karıncalanma, ağrı, bıçak saplanıyor hissi veya cilt renginde ya da ciltte değişme. Bu belirtilerden herhangi biri olursa bir doktora görünün. “Beyaz parmak hastalığı” riskini azaltmak için çalışma sırasında ellerinizi sıcak tutun ve alet ile aksesuarlara iyi bakın. Çalışma süresi için yerel düzenlemelere veya doktorunuzun tavsiyesine uyun.

Taşıma

1. Aleti taşımadan önce aleti kapatın ve batarya kartuşunu çıkarın. Taşıma sırasında kılavuz çubuk kılıfını mutlaka takın.
2. Aleti taşırken, sapı tutarak yatay konumda taşıyın.

Bakım

1. Ekipmanınıza yetkili servis merkezimizce, daima yalnızca orijinal yedek parçalar kullanılarak servis yaptırın. Yanlış onarım ve kötü bakım aletin ömrünü kısaltabilir ve kaza riskini artırabilir.
2. Herhangi bir bakım veya tamir işlemi yapmadan ya da aleti temizlemeden önce daima aleti kapatın ve batarya kartuşunu çıkarın. Aletin soğumasını bekleyin.
3. Testere zinciri ile uğraşırken daima koruyucu eldiven kullanın.
4. Her kullanımdan sonra, ayar vidaları hariç tüm vidaları ve somunları sıkın.
5. Testere zincirini keskin tutun. Testere zinciri körelir ve kesim performansını düşerse Makita yetkili servis merkezinden bilemelerini veya yenisiyle değiştirmelerini isteyin.
6. Bu kullanma kılavuzunda anlatılmayan hiçbir bakım veya onarım işi yapmaya kalkışmayın. Bu tür işler için Makita yetkili servis merkezine başvurun.
7. Sadece orijinal Makita yedek parça ve aksesuarlarını kullanın. Üçüncü taraflarca sağlanan parça veya aksesuarların kullanımı aletin arızalanması, maddi hasara ve/veya ciddi yaralanmaya neden olabilir.

Saklama

1. Aleti saklamadan önce, tam bir temizlik ve bakım yapın. Kılavuz çubuk kılıfını takın. Batarya kartuşunu çıkarın. Alet soğuduktan sonra zincir yağını boşaltın.
2. Aleti, çocukların ulaşamayacağı, kuru ve yüksek ya da kilitli bir yerde saklayın.
3. Aleti herhangi bir yere, örneğin duvara, dayamayın. Aksi takdirde aniden düşebilir ve yaralanmaya neden olabilir.

Elektrik ve batarya güvenliği

1. **Bataryayı/bataryaları ateşe atmayın.** Batarya hücresi patlayabilir. Bertaraf etmeye ilişkin olası özel talimatlar için yerel yönetmelikleri kontrol edin.
2. **Batarya/bataryaları açmayın ya da batarya(lar) üzerinde değişiklik yapmayın.** Ortaya çıkan elektrolit aşındırıcıdır ve gözlere ya da cilde zarar verebilir. Yutulduğu takdirde zehirli olabilir.
3. **Bataryayı yağmurda veya ıslak yerlerde şarj etmeyin.**
4. **Bataryayı açık alanda şarj etmeyin.**
5. **Şarj aleti fişi ve şarj aleti terminalleri dahil şarj aletine ıslak ellerle dokunmayın.**
6. **Tehlikeli ortamlardan kaçının. Aleti nemli ya da ıslak yerlerde kullanmayın ve yağmura maruz bırakmayın. Makinenin içine su girmesi elektrik çarpması riskini arttıracaktır.**

BU TALİMATLARI SAKLAYIN.

⚠UYARI: Ürünü kullanırken (defalarca kullanınca kazanılan) rahatlık ve tanıdıklık duygusunun ilgili ürünün güvenlik kurallarına sıkı sıkıya bağlı kalmanın yerine geçmesine İZİN VERMEYİN. **YANLIŞ KULLANIM** veya bu kullanma kılavuzunda belirtilen emniyet kurallarına uymama ciddi yaralanmaya neden olabilir.

Batarya kartuşu hakkında önemli güvenlik talimatları

1. **Batarya kartuşunu kullanmadan önce, tüm talimatları ve (1) batarya kartuşu, (2) batarya ve (3) ürün üzerindeki tüm uyarı işaretlerini okuyun.**
2. **Batarya kartuşunu parçalarına ayırmayın veya kurcalamayın.** Yangın, aşırı ısı veya patlamaya neden olabilir.
3. **Çalışma süresi aşırı derecede kısalırsa kullanmayı derhal bırakın. Aşırı ısınma, yanma riski hatta patlamaya neden olabilir.**
4. **Gözünüze elektrolit kaçarsa, gözlerinizi temiz suyla durulayın ve hemen tıbbi yardım alın. Görmeye kaybına yol açabilir.**
5. **Batarya kartuşuna kısa devre yaptırmayın:**
- (1) **Terminallere herhangi bir iletken madde deydirmeyin.**
- (2) **Batarya kartuşunu çiviler, madeni paralar, vb. gibi başka metal nesnelere aynı kaba koymaktan kaçının.**
- (3) **Batarya kartuşunu yağmura ya da suya maruz bırakmayın.**
- Kısa devre, büyük bir akım akışına, aşırı ısınmaya, olası yanıklara hatta bataryanın bozulmasına yol açabilir.**
6. **Aleti ve batarya kartuşunu sıcaklığın 50°C ya da daha yükseğe ulaştığı yerlerde saklamayın ve kullanmayın.**
7. **Aşırı derecede hasar görmüş ya da tamamen kullanılamaz durumda olsa bile batarya kartuşunu yakmayın. Batarya kartuşu ateşe atılırsa patlayabilir.**
8. **Batarya kartuşunu çivilemeyin, kesmeyin, ezmeyin, fırlatmayın, düşürmeyin ya da**

batarya kartuşuna sert bir nesne ile vurmayın. Bu eylemler yangın, aşırı ısı veya patlamaya neden olabilir.

9. **Hasarlı bataryayı kullanmayın.**
10. **Aletin içerdği lityum-iyon bataryalar Tehlikeli Eşyalar Yönetmeliğinin gereksinimlerine tabidir.**

Ticari nakliye işlemleri için, örneğin üçüncü taraflar, nakliye acenteleri tarafından yapılan nakliyelerde, paketleme ve etiketleme gereksinimlerine uyulmalıdır.

Nakliyesi yapılacak ürünün hazırlanması için, tehlikeli maddeler konusunda uzman bir kişiye danışın. Lütfen muhtemelen daha ayrıntılı olan ulusal yönetmeliklere de uyun.

Açık kontakları bantlayın ya da maskeleyin ve bataryayı paketin içinde hareket etmeyecek şekilde paketlenin.
11. **Batarya kartuşunu bertaraf ederken aletten çıkarın ve güvenli bir yerde bertaraf edin. Bataryanın bertaraf edilmesi ile ilgili yerel düzenlemelere uyunuz.**
12. **Bataryaları sadece Makita tarafından belirtilen ürünlerle kullanın.** Bataryaların uyumsuz ürünlere takılması; yangın, aşırı ısınma, patlama ya da elektrolit sızıntısına neden olabilir.
13. **Alet uzun süre kullanılmıyacaksa batarya aletten çıkarılmalıdır.**
14. **Kullanma sırasında ve sonrasında batarya kartuşu ısınarak yanıklara veya düşük sıcaklık yanıklarına yol açabilir. Sıcak batarya kartuşları ile işlem yaparken dikkat edin.**
15. **Yanıklara neden olabilecek kadar sıcak olabileceğinden kullandıktan hemen sonra aletin terminaline dokunmayın.**
16. **Batarya kartuşunun terminallerine, deliklerine ve kanallarına mıcır, toz veya toprak girmesine izin vermeyin.** Aletin veya batarya kartuşunun ısınmasına, alev almasına, patlamasına ve

arızalanmasına neden olarak yanıklara veya yaralanmaya yol açabilir.

17. **Alet yüksek gerilim elektrik güç hatları yakınında kullanımı desteklemediği sürece batarya kartuşunu yüksek gerilim elektrik güç hatlarının yakınında kullanmayın.** Aletin veya batarya kartuşunun arızalanmasına veya bozulmasına neden olabilir.
18. **Bataryayı çocuklardan uzak tutun.**

BU TALİMATLARI MUHAFAZA EDİNİZ.

⚠DİKKAT: Sadece orijinal Makita bataryalarını kullanın. Orijinal olmayan Makita bataryaları ya da üzerine değişiklik yapılmış bataryaların kullanımı bataryanın patlamasına ve sonuç olarak yangın, kişisel yaralanma ve hasara neden olabilir. Ayrıca Makita aleti ve şarj aletinin Makita tarafından sunulan garantisini geçersiz olur.

Maksimum batarya ömrü için ipuçları

1. **Batarya kartuşunu tamamen boşalmadan önce şarj edin.** Aletin gücünün zayıflamaya başladığını fark ettiğinizde aleti durdurun ve batarya kartuşunu şarj edin.
2. **Tam dolu bir batarya kartuşunu asla yeniden şarj etmeyin.** Aşırı şarj etme bataryanın hizmet ömrünü kısaltır.
3. **Batarya kartuşunu 10 °C - 40 °C oda sıcaklığında şarj edin.** Sıcak bir batarya kartuşunu şarj etmeden önce soğumasını bekleyin.
4. **Batarya kartuşunu kullanmıyorsanız aletten veya şarj aletinden çıkarın.**
5. **Uzun bir süre (altı aydan daha fazla) kullanmadığınız durumlarda batarya kartuşunu şarj edin.**

PARÇALARIN TANIMI

► Şek.1

1	Ana güç lambası	2	Mod göstergesi	3	Ana güç anahtarı
4	Askı	5	Güvenlik kilidi kolu	6	Batarya kartuşu
7	Anahtar tetik	8	Arka sap	9	Testere zinciri
10	Kılavuz çubuk	11	Yağ tankı kapağı	12	Kilitleme bileziği
13	Tespit somunu	14	Zincir ayar vidası	15	Kılavuz çubuk kılıfı
16	Ön sap	-	-	-	-

İŞLEVSEL NİTELİKLER

⚠DİKKAT: Alet üzerinde ayarlama veya işleyiş kontrolü yapmadan önce aletin kapalı ve batarya kartuşunun ayrılmış olduğundan daima emin olun.

Batarya kartuşunun takılması ve çıkarılması

⚠️ DİKKAT: Batarya kartuşunu takmadan ya da çıkarmadan önce aleti daima kapatın.

⚠️ DİKKAT: Batarya kartuşunu takarken veya çıkarırken aleti ve batarya kartuşunu sıkıca tutun. Aletin ve batarya kartuşunun sıkıca tutulmaması bunların düşürülmesine sebep olabilir ve alet ve batarya kartuşunun zarar görmesine ya da ciddi yaralanmasına yol açabilir.

Batarya kartuşunu takmak için, batarya kartuşu üzerindeki dili yuvanın oluşu ile hizalayın ve kartuşu yerine oturtun. Kartuşu, küçük bir tık sesi ile yerine sabitlenene dek sonuna kadar itin. Şekilde gösterildiği gibi kırmızı göstergeleri görebiliyorsanız tam olarak kilitlememiş demektir.

Batarya kartuşunu çıkarmak için, kartuşun ön tarafındaki düğmeyi kaydırarak kartuşu aletten çıkarın.

▶ **Şek.2:** 1. Kırmızı göstergesi 2. Düğme 3. Batarya kartuşu

⚠️ DİKKAT: Batarya kartuşunu daima kırmızı göstergesi görünmeyecek şekilde tam olarak takın. Yerine tam oturmazsa, aletten yanlışlıkla düşebilir, sizin ya da çevrenizdeki kişilerin yaralanmasına neden olabilir.

⚠️ DİKKAT: Batarya kartuşunu zorlayarak takmayın. Kartuş kolay bir şekilde kaymıyorsa doğru yerleştirilmiş demektir.

Kalan batarya kapasitesinin gösterilmesi

Sadece göstergeli batarya kartuşları için

Kalan batarya kapasitesini göstermesi için batarya kartuşu üzerindeki kontrol düğmesine basın. Göstergelambaları birkaç saniye yanar.

▶ **Şek.3:** 1. Göstergelambaları 2. Kontrol düğmesi

Göstergelambaları			Kalan kapasite
Yanıyor	Kapalı	Yanıp sönlüyor	
■	□	▣	
■ ■ ■ ■			%75 ila %100
■ ■ ■ □			%50 ila %75
■ ■ □ □			%25 ila %50
■ □ □ □			%0 ila %25
▣ □ □ □			Bataryayı şarj edin.
■ ■ □ □			Batarya arızalanmış olabilir.
□ □ ■ ■			

NOT: Kullanım koşullarına ve ortam sıcaklığına bağlı olarak, gösterilen değer gerçek kapasiteden biraz farklılık gösterebilir.

NOT: İlk (en soldaki) göstergelambası, batarya koruma sistemi çalıştığından yanıp söner.

Alet/batarya koruma sistemi

Bu alet bir alet/batarya koruma sistemi ile donatılmıştır. Bu sistem motora giden gücü otomatik olarak keserek uzun alet ve batarya ömrü sağlar. Alet veya batarya için aşağıdaki durumlardan biri söz konusu olduğunda aletin işleyişi otomatik olarak durur:

Aşırı yük koruması

Batarya, anormal derecede yüksek akım çekmesine neden olacak şekilde kullanıldığında, alet otomatik olarak durur ve ana güç lambası yeşil yanıp söner. Bu durumda, aleti kapatın ve aletin aşırı yüklenmesine neden olan uygulamayı durdurun. Ardından yeniden başlatmak için aleti çalıştırın.

Aşırı ısınma koruması

Alet veya batarya aşırı ısındığında alet otomatik olarak durur ve ana güç lambası kırmızı yanar. Bu durumda, aleti yeniden çalıştırmadan önce aletin ve bataryanın soğumasını bekleyin.

NOT: Yüksek sıcaklık ortamında aşırı ısınma korumasının çalışması muhtemeldir ve alet otomatik olarak durur.

Aşırı deşarj koruması

Batarya kapasitesi yeterli değilse alet otomatik olarak durur ve ana güç lambası kırmızı yanıp söner. Bu durumda, bataryayı aletten çıkarın ve bataryayı şarj edin.

Ana güç anahtarı

⚠️ UYARI: Kullanımda değilken ana güç anahtarını daima kapatın.

Aleti çalıştırmak için ana güç lambası yeşil yanana kadar ana güç anahtarına basın. Kapatmak için, ana güç anahtarına bir kez daha basın.

▶ **Şek.4:** 1. Ana güç lambası 2. Mod göstergesi 3. Ana güç anahtarı

NOT: Güvenlik kilidi kolunu basılı tutarken ve anahtar tetiği çekerken ana güç anahtarını açarsanız ana güç lambası yeşil yanıp söner. Bu durumda anahtar tetiği ve güvenlik kilidi kolunu bırakın ve ardından ana güç anahtarını açın.

NOT: Bu alet otomatik güç kapama fonksiyonu kullanır. İstenmeyen başlatmaları önlemek için, ana güç anahtarı açıldıktan sonra belli bir süre boyunca anahtar tetik çekilmezse ana güç anahtarı otomatik olarak kapanacaktır.

Kalın dalları veya sert dalları kesmek için aleti Tork Takviyesi modunda kullanabilirsiniz. Alet Tork Takviyesi modunda kullanmak için, alet kapalıyken, mod göstergesi yeşil yanana kadar ana güç anahtarına birkaç

saniye basın.

NOT: Aleti Tork Takviyesi modunda 60 saniyeye kadar kullanabilirsiniz. Kullanım koşullarına bağlı olarak bu mod, 60 saniyeden daha kısa sürede normal moda geçebilir.

NOT: Ana güç anahtarına birkaç saniye bastığınızda mod göstergesi yeşil yanıp sönerse Tork Takviyesi modu kullanılamaz. Bu durumda aşağıdaki adımları izleyin.

- Tork Takviyesi modu, kesim işleminden hemen sonra kullanılamaz. En az 10 saniye bekleyin ve ardından ana güç anahtarına tekrar birkaç saniye basın.
- Tork Takviyesi modunu birkaç kez kullandığınızda bataryayı korumak için Tork Takviyesi modu kullanımı kısıtlanır. En az 10 saniye bekledikten sonra Tork Takviyesi modu kullanılamazsa batarya kartuşunu tam dolu bir kartuşla değiştirin veya batarya kartuşunu şarj edin.

NOT: Ana güç lambası kırmızı yanar veya kırmızı ya da yeşil yanıp sönerse alet/batarya koruma sistemi için talimatlara bakın.

Anahtar işlemi

⚠UYARI: Güvenliğiniz için, bu alet istem dışı başlatmayı önlemek için bir güvenlik kilidi kolu ile donatılmıştır. Güvenlik kilidi koluna basmadan sadece anahtar tetik çekildiğinde çalışan bir aleti ASLA kullanmayın. Daha fazla kullanmadan ÖNCE doğru bir şekilde tamir ettirmek için aleti yetkili servis merkezimize götürün.

⚠UYARI: Güvenlik kilidi kolunu ASLA bantlamayın veya amacını ve işlevini engelleyecek şekilde devre dışı bırakmayın.

⚠DİKKAT: Batarya kartuşunu alete takmadan önce anahtar tetiğin doğru çalıştığından ve bırakıldığında “OFF” (kapalı) konumuna döndüğünden emin olun.

ÖNEMLİ NOT: Güvenlik kilidi koluna bastırmandan anahtar tetiği zorlayarak çekmeyin. Bu, anahtarın kırılmasına neden olabilir.

Anahtar tetiğin kaza sonucu çekilmesini önlemek için, bir güvenlik kilidi kolu sunulmuştur. Aleti başlatmak için, güvenlik kilidi koluna bastırın ve anahtar tetiği çekin. Aletin hızı, anahtar tetiğe uygulanan baskı artırılarak artar. Durdurmak için anahtar tetiği bırakın.

► **Şek.5:** 1. Anahtar tetik 2. Güvenlik kilidi kolu

Boru uzunluğunun ayarlanması

Boruyu uzatmak veya kısaltmak için kilitleme bileziğini saatin aksi yönünde çevirerek kilitleme bileziğini gevşetin, ardından borunun uzunluğunu ayarlayın ve ardından kilitleme bileziğini saat yönünde çevirerek bileziği sıkın.

► **Şek.6:** 1. Kilitleme bileziği 2. Boru

Elektronik fonksiyonu

Alet kolay kullanım için elektronik fonksiyonlarla donatılmıştır.

- Sabit hız kontrolü
Hız kontrol fonksiyonu, yük koşullarından bağımsız olarak sabit devir hızı sağlar.

MONTAJ

⚠DİKKAT: Alet üzerinde herhangi bir iş yapmadan önce aletin kapalı ve batarya kartuşunun ayrılmış olduğundan daima emin olun.

⚠DİKKAT: Testere zincirine çıplak elle dokunmayın. Testere zincirini tutarken daima eldiven kullanın.

Aletin birleştirilmesi

1. Borudan 2 kapağı ve aletin başlığından 1 kapağı çıkarın.

► **Şek.7:** 1. Kapak 2. Boru 3. Aletin başlığı

2. 3 civatayı gevşetin ve ardından alyan anahtarını kullanarak 1 civatayı çıkarın.

► **Şek.8:** 1. Civata

3. Boruyu aletin gövdesine sonuna kadar sokun ve ardından borunun üzerindeki deliği aletin gövdesinin üzerindeki delikle hizalayın.

► **Şek.9:** 1. Delik 2. Boru

4. 3 civatayı alyan anahtar ile sıkın.

► **Şek.10:** 1. Civata

5. 2 civatayı gevşetin ve ardından 1 civatayı çıkarın.

► **Şek.11:** 1. Civata

6. Kilitleme bileziğini saatin aksi yönünde çevirerek kilitleme bileziğini gevşetin, ardından boruyu yaklaşık 10 cm veya daha fazla uzatın ve ardından kilitleme bileziğini saat yönünde çevirerek kilitleme bileziğini sıkın.

► **Şek.12:** 1. Kilitleme bileziği 2. 10 cm veya daha fazla 3. Boru

7. Boruyu aletin başlığına sonuna kadar sokun ve ardından borunun üzerindeki deliği aletin başlığının üzerindeki delikle hizalayın.

► **Şek.13:** 1. Delik 2. Boru

8. 2 civatayı alyan anahtar ile sıkın.

► **Şek.14:** 1. Civata

Testere zincirinin takılması veya çıkarılması

⚠️ DİKKAT: Testere zinciri ve kılavuz çubuk kullanımının hemen ardından hala sıcaktır. Alet üzerinde herhangi bir çalışma yapmadan önce yeterince soğumalarını bekleyin.

⚠️ DİKKAT: Testere zincirinin takılması ve çıkarılması prosedürünü testereden çıkan tozların vb. maddelerin olmadığı temiz bir yerde gerçekleştirin.

Testere zincirini çıkarmak için aşağıdaki adımları gerçekleştirin:

1. Zincir ayar vidasını, ardından tespit somununu gevşetin.

► **Şek.15:** 1. Zincir ayar vidası 2. Tespit somunu

2. Zincir dişlisi kapağını ve ardından testere zincirini ve kılavuz çubuğu aletin gövdesinden ayırın.

Testere zincirini takmak için aşağıdaki adımları gerçekleştirin:

1. Testere zincirinin yönünü kontrol edin. Testere zincirinin yönünü aletin gövdesi üzerindeki işaretin yönüyle eşleştirin.

2. Testere zincirinin bir ucunu kılavuz çubuğun üst kısmına takın. Testere zincirinin diğer ucunu zincir dişlisinin etrafına geçirin. Testere zincirinin zincir dişlisine düzgün bir şekilde geçirildiğinden ve kılavuz çubuğun kanalına düzgün bir şekilde oturduğundan emin olun.

3. Kılavuz çubuk üzerindeki deliği aletin gövdesi üzerindeki pimle hizalayarak kılavuz çubuğu aletin gövdesine takın.

► **Şek.16:** 1. Zincir dişlisi 2. Delik

4. Zincir dişlisi kapağının üzerindeki çıkıntıyı aletin gövdesine sokun ve ardından aletin gövdesi üzerindeki civata ve pim kapak üzerindeki karşılıklarına denk gelecek şekilde kapağı kapatın.

► **Şek.17:** 1. Çıkıntı 2. Zincir dişlisi kapağı 3. Civata 4. Pim

5. Tespit somununu sıkarak zincir dişlisi kapağını sabitleyin, ardından gerginlik ayarı için somunu azıcık gevşetin.

► **Şek.18:** 1. Tespit somunu

Testere zinciri geriliminin ayarlanması

⚠️ DİKKAT: Testere zincirini fazla sıkılmayın. Testere zincirinin aşırı yüksek bir gerilime sahip olması testere zincirinin kırılmasına ve kılavuz çubuğun aşınmasına neden olabilir.

⚠️ DİKKAT: Zincir çok gevşek olursa kılavuz çubuktan fırlayıp çıkabilir ve kaza riski oluşturabilir.

Testere zinciri saatlerce kullanıldıktan sonra gevşeyebilir. Zaman zaman kullanmadan önce testere zincirini kontrol edin.

1. Zincir dişlisi kapağını hafifçe gevşetmek için tespit somununu azıcık gevşetin.

► **Şek.19:** 1. Tespit somunu

2. Kılavuz çubuğun ucunu hafifçe yukarı kaldırın ve zincir gerginliğini ayarlayın. Zincir ayar vidasını sıkamak için saatin aksi yönünde, gevşetmek için saat yönünde çevirin.

Testere zincirinin alt tarafı kılavuz çubuk rayına oturana kadar testere zincirini sıkılayın.

► **Şek.20:** 1. Kılavuz çubuk 2. Testere zinciri 3. Zincir ayar vidası

3. Kılavuz çubuğu hafifçe tutmaya devam edin ve zincir dişlisi kapağını takın.

Testere zincirinin alt tarafında gevşeklik kalmadığından emin olun.

4. Tespit somununu sıkarak zincir dişlisi kapağını sabitleyin.

► **Şek.21:** 1. Tespit somunu

Açılı ek parçasının takılması veya çıkarılması

İsteğe bağlı aksesuarlar

⚠️ DİKKAT: Açılı ek parçayı takmadan veya çıkarmadan önce kılavuz çubuk kılıfını alete taktığınızdan emin olun.

Alete açılı ek parçayı takarak alet kafasının açısını değiştirebilirsiniz.

1. Kilitleme bileziğini saatin aksi yönünde çevirerek kilitleme bileziğini gevşetin, ardından boruyu yaklaşık 10 cm veya daha fazla uzatın ve ardından kilitleme bileziğini saat yönünde çevirerek kilitleme bileziğini sıkın.

► **Şek.22:** 1. 10 cm veya daha fazla 2. Kilitleme bileziği 3. Boru

2. 2 civatayı altıgen anahtarla gevşetin ve ardından boruyu aletin kafasından çıkarın.

► **Şek.23:** 1. Cıvata

3. Kapakları açılı ek parçadan çıkarın.

► **Şek.24:** 1. Kapak

4. Boru üzerindeki deliği ek parça üzerindeki ile hizalayın ve ardından boruyu ek parçanın içine sokun.

► **Şek.25:** 1. Delik 2. Cıvata 3. Boru

5. 2 civatayı sıkarak ek parçayı sabitleyin.

► **Şek.26:** 1. Cıvata

6. Aletin kafasını ek parçaya takın.

Aletin kafasını dikey olarak sabitlemek için civatayı şekilde gösterilen ek parça üzerindeki deliğe sıkarak ek parçayı sabitleyin ve ardından diğer civatayı sıkın.

► **Şek.27:** 1. Cıvata 2. Delik

Aletin kafasını yatay olarak sabitlemek için civatayı şekilde gösterilen ek parça üzerindeki deliğe sıkarak ek parçayı sabitleyin ve ardından diğer civatayı sıkın.

► **Şek.28:** 1. Cıvata 2. Delik

Açılı ek parçayı çıkarmak için, takma işlemini tersinden uygulayın.

KULLANIM

Yağlama

ÖNEMLİ NOT: İlk kez zincir yağı doldurduğunuz zaman veya tankı tamamen boşaldıktan sonra tekrar doldururken, yakıt deposu boynunun alt kenarına kadar yağ doldurun. Aksi takdirde yağ dağıtımı bozulabilir.

ÖNEMLİ NOT: Zincir yağı olarak, özellikle Makita zincir testereleri için olan veya piyasada bulunan eş değer yağları kullanın.

ÖNEMLİ NOT: Asla içinde toz ve parçacık veya uçucu yağ bulunan yağları kullanmayın.

ÖNEMLİ NOT: Ağaç budarken, botanik yağ kullanın. Mineral yağlar ağaçlara zarar verebilir.

ÖNEMLİ NOT: Kesim işleminden önce, verilen yağ tankı kapağının yerine takılmış olduğundan emin olun.

Alet çalışırken testere zinciri otomatik olarak yağlanır. Yağ tankında kalan yağ miktarını periyodik olarak kontrol edin.

► **Şek.29:** 1. Yağ tankı

Tankı doldurmak için aleti düz bir yüzeye yerleştirin, ardından yağ tankı kapağındaki düğmeye, diğer taraftaki düğme yukarı çıkacak şekilde basın ve ardından yağ tankı kapağını çevirerek çıkarın.

Uygun yağ miktarı 160 ml'dir. Tankı doldurduktan sonra yağ tankı kapağının sıkı bir şekilde kapatıldığından emin olun.

► **Şek.30:** 1. Yağ tankı kapağı 2. Sıkın 3. Gevşetin

NOT: Yağ tankı kapağını çıkarmakta zorlanırsanız yağ tankı kapağının deliğine lokma anahtarını sokun ve ardından saatin aksi yönünde çevirerek yağ tankı kapağını çıkarın.

► **Şek.31:** 1. Delik 2. Lokma anahtarı

Doldurduktan sonra, aleti ağaçtan uzakta tutun. Çalıştırın ve testere zincirinin yeterince yağlanması bekleyin.

► **Şek.32**

Omuz askısının takılması

⚠DİKKAT: Aleti taşınabilir güç ünitesi gibi sırt çantası tipi bir güç kaynağı ile birlikte kullanırken aletin paketinde gelen omuz askısını kullanmayın; Makita tarafından önerilen askı kayışını kullanın.

Aletin paketinde gelen omuz askısını ve sırt çantası tipi güç kaynağının omuz askısını aynı anda takarsanız acil bir durumda aletin veya sırt çantası tipi güç kaynağının çıkarılması zor olur ve kaza veya yaralanmaya yol açabilir. Önerilen askı kayışı için Makita Yetkili Servis Merkezlerine sorun.

⚠DİKKAT: Omuz askısı daima alete takılı kullanın. Kullanmadan önce, yorgunluğu önlemek için omuz askısını kullanıcının boyutlarına göre ayarlayın.

⚠DİKKAT: Çalıştırmadan önce omuz askısının aletin üzerindeki askıya düzgün bir şekilde takıldığından emin olun.

⚠DİKKAT: Kullanmadan önce omuz askısının tokasının sıkıca bağlandığından emin olun.

⚠DİKKAT: Her zaman bu alete özel omuz askısını kullanın. Başka omuz askılarını kullanmayın.

1. Omuz askısını giyin ve tokayı bağlayın.

► **Şek.33:** 1. Toka

NOT: Omuz askısını çıkarırken tokayı açın ve omuz askısını çıkarın.

2. Omuz askısını rahat bir çalışma konumuna ayarlayın.

► **Şek.34**

3. Omuz askısı üzerindeki kancayı aletin askısına takın.

► **Şek.35:** 1. Kanca 2. Askı

Omuz askısı hızlı açılma özelliğine sahiptir. Omuz askısını çıkarmak için tokanın yan kısımlarına bastırmanız yeterlidir.

► **Şek.36:** 1. Toka

Aletle çalışma

⚠DİKKAT: Motor çalışırken vücudunuzun her kısmını testere zincirden uzak tutun.

⚠DİKKAT: Motor çalışırken aleti iki elinizle sıkıca tutun.

⚠DİKKAT: Fazla ileriye uzanmaya çalışmayın. Her zaman yere sağlam basın ve dengenizi koruyun.

⚠DİKKAT: Dalları keserken alet başlığının ağırlığından dolayı dengenizi kaybetmemeye dikkat edin.

⚠DİKKAT: Kesilen bir dalın kullanıcıya doğru düşmesi durumuna karşı mutlaka kaçış rotası bırakın.

⚠DİKKAT: Kesme için asla kılavuz çubuğun ucunu kullanmayın. Aksi takdirde tehlikeli geri tepme oluşabilir ve yaralanmaya yol açabilir.

ÖNEMLİ NOT: Aleti bir yere çarpmayın ve düşürmeyin.

ÖNEMLİ NOT: Aletin havalandırma deliklerini örtmeyin.

ÖNEMLİ NOT: Aleti zorlamayın. Aksi takdirde alete zarar verebilir.

Dengeli bir yüzeyde durun ve aletin açısı yatay zeminle en fazla 60° yapacak şekilde aleti dallardan uzak tutun.
► **Şek.37:** 1. 60° veya daha az

Aleti çalıştırın ve ardından testere zincirini dala hafifçe bastırın.

Uzun dalları keserken kesilen dalların düşme konumunu kontrol etmek için dalı kısımlara ayırın ve dalı ucundan başlayarak kesin. Yere çarptıktan sonra kullanıcıya doğru sekebileceklerinden düşen dallara dikkat edin.

► **Şek.38**

Kalın dalları keserken önce alttan derin olmayan bir kesim yapın ve ardından üstten bitirme kesimini yapın.
► **Şek.39**

Kalın dalları alttan kesmeye çalışırsanız dal sarkarak testere zincirini kesilen yerde sıkıştırabilir. Kalın dalları alttan derin olmayan kesim yapmadan üstten kesmeye çalışırsanız dal parçalanabilir.

► **Şek.40**

Aletin taşınması

Aleti taşımadan önce mutlaka batarya kartuşlarını aletten çıkarın, ardından kılavuz çubuk kılıfını takın ve ardından boruyu kısaltın. Ayrıca batarya kartuşunu da batarya kapağı ile kapatın.

► **Şek.41:** 1. Kılavuz çubuk kılıfı 2. Batarya kapağı

Aleti taşınabilir güç ünitesi ile kullanma

İsteğe bağlı aksesuarlar

Aleti taşınabilir güç ünitesi ile kullanırken askı kayışını kullanın.

Askı kayışının takılması

1. Askı kayışının kancalarını omuz askısının veya bel kemerinin halkalarına şekilde gösterildiği gibi takın. Kullanımınıza uygun kayış türünü ve bağlama yöntemini seçin.

► **Şek.42:** 1. Halka 2. Kanca

► **Şek.43:** 1. Halka 2. Kanca

2. Kancayı alete takın.

► **Şek.44:** 1. Kanca

Aletin ayrılması

Aleti yere bırakırken aleti bir elinizle tutun ve diğer elinizle askı kayışı üzerindeki tokayı açın.

► **Şek.45:** 1. Toka

NOT: Kayış türüne bağlı olarak toka bulunmayabilir.

Aleti hızlıca bırakmanız gerekirse aşağıdaki adımları izleyin.

1. Bel kemerinin tokası üzerindeki mandallara bastırarak tokayı açın.

► **Şek.46:** 1. Toka 2. Mandal

2. Aleti ve üniteyi bırakmak için omuz askısını çıkarın.

► **Şek.47:** 1. Omuz askısı

BAKIM

⚠DİKKAT: Muayene ya da bakım yapmadan önce aletin kapalı ve batarya kartuşunun çıkartılmış olduğundan daima emin olun.

⚠DİKKAT: Herhangi bir muayene ya da bakım yaparken daima eldiven giyin.

ÖNEMLİ NOT: Benzin, tiner, alkol ve benzeri maddeleri kesinlikle kullanmayın. Renk değişimi, deformasyon veya çatlaklar oluşabilir.

Aleti EMNİYETLİ ve ÇALIŞMAYA HAZIR durumda tutmak için onarımlar, başka her türlü bakım ve ayarlamalar daima Makita yedek parçaları kullanılarak Makita yetkili servis merkezleri veya Fabrikanın Servis Merkezleri tarafından yapılmalıdır.

Testere zincirinin bilenmesi

Aşağıdaki durumlarda testere zincirini bileyin:

- Islak ağaç kesildiğinde un gibi testere tozu oluştuğu zaman;
- Ağır basınç uygulansa bile zincir ağaca zor girdiği zaman;
- Kesme kenarında gözle görülen hasar olduğu zaman;
- Testere ağacın içinde sola veya sağa çekme yaptığı zaman. (Bu davranışın nedeni testere zincirinin düzgün bilenmemiş veya sadece bir tarafının hasarlı olmasıdır.)

Testere zincirini sık sık ama her defasında sadece çok az miktarda bileyin. Rutin bileme için ege ile iki veya üç sürme genellikle yeterlidir. Testere zinciri birçok defa bilendiği zaman, onu yetkili servis merkezimizde bilettirin.

Bileme kriterleri:

⚠UYARI: Kesme kenarı ile derinlik ölçeği arasında fazla mesafe bırakılması geri tepme riskini artırır.

► **Şek.48:** 1. Kesici uzunluğu 2. Kesme kenarı ile derinlik ölçeği arasındaki mesafe 3. Minimum kesici uzunluğu (3 mm)

- Tüm kesici uzunlukları eşit olmalıdır. Farklı uzunluklardaki kesiciler testere zincirinin düzgün bir şekilde çalışmasını önler ve testere zincirinin kırılmasına neden olabilir.
- Kesici uzunluğu 3 mm'ye ya da daha kısa bir uzunluğa ulaştıktan sonra zinciri tekrar bilemeyin. Zincir yenisiyle değiştirilmelidir.
- Talaş kalınlığı derinlik ölçeği (yuvarlak burun) ile kesim kenarı arasındaki mesafe ile belirlenir.
- En iyi kesim sonuçları kesim kenarı ile derinlik

ölçeği arasında aşağıdaki mesafe korunarak elde edilir.

- Zincir bıçak 90PX / 91PX / M41 / M43: 0,65 mm

► Şek.49

- 30°'lik bileme açısı tüm kesiciler üzerinde aynı olmalıdır. Kesici uçlarındaki farklılıklar zincirin sert ve dengesiz bir biçimde çalışmasına, aşınmanın hızlanmasına neden olabilir ve zincirin kırılmasına yol açabilir.
- Dişlere karşı doğru bir bileme açısının korunması için uygun bir yuvarlak eğe kullanın.
 - Zincir bıçak 90PX / 91PX / M41 / M43: 55°

Eğ ve eğeleme

- Testere zincirlerinde zinciri bilemek için özel bir yuvarlak eğe kullanın (isteğe bağlı aksesuar). Normal yuvarlak eğelere uygun değildir.
- Her testere zinciri için yuvarlak eğe çapı aşağıdaki gibidir:
 - Zincir bıçak 90PX: 4,5 mm
 - Zincir bıçak 91PX / M41/ M43 : 4,0 mm
- Eğe sadece ileri doğru sürtmede kesiciyi sıyırmalıdır. Geri çekerken eğeyi kesiciden kaldırın.
- Önce en kısa kesiciyi bileyin. Bu en kısa kesicinin uzunluğu böylece testere zincirinin tüm diğer kesicileri için standart olur.
- Eğeyi şekilde gösterildiği gibi sürtün.

► Şek.50: 1. Eğe 2. Testere zinciri

- Eğer bir eğe tutucu (isteğe bağlı aksesuar) kullanılırsa eğe daha kolay sürtülebilir. Eğe tutucuda doğru bileme açısı olan 30° işaretleri (bu işaretleri testere zincirine paralel olarak hizalayın) vardır ve nüfuz etme derinliğini (eğ çapının 4/5 ile) sınırlar.

► Şek.51: 1. Eğe tutucu

- Zinciri biledikten sonra, zincir kalınlık masterını (isteğe bağlı aksesuar) kullanarak derinlik ölçeği yüksekliğini kontrol edin.

► Şek.52

- Özel bir yassı eğeyle (isteğe bağlı aksesuar), ne kadar küçük olursa olsun, çıkıntı yapan malzemeleri temizleyin.
- Derinlik ölçeğinin önünü tekrar yuvarlayın.

Kılavuz çubuğun temizlenmesi

Talaşlar ve testere tozları kılavuz çubuğun oluğunda birikir. Bu birikintiler çubuğun oluğunu tıkayabilir ve yağ akışını engelleyebilir. Testere zincirini bilerken ya da değiştirdiğiniz her seferde talaşları ve testere tozlarını temizleyin.

Periyodik bakım talimatları

Alet ömrünün uzun olmasını sağlamak için, alete hasar gelmesini önleyin ve güvenlik özelliklerinin tam olarak işlemediğinden emin olun. Aşağıdaki bakım işlemleri de düzenli olarak yapılmalıdır. Garanti talepleri ancak bu işlemler düzenli olarak ve doğru bir şekilde yapılmışsa dikkate alınacaktır. Tarif edilen bakım işlemlerinin yapılmaması kazalara yol açabilir! Aletin kullanıcısı, bu kullanım kılavuzunda açıklanmayan bir bakım işlemi yapmamalıdır. Tüm bu işlemler yetkili servis merkezimiz tarafından gerçekleştirilmelidir.

► Şek.53

Zincir dişlisi kapağının temizlenmesi

Zincir dişlisi kapağının içinde talaşlar ve testere tozları birikebilir. Zincir dişlisi kapağını ve testere zincirini aletten çıkarın ve ardından talaşları ve testere tozlarını temizleyin.

► Şek.54

Yağ çıkış deliğinin temizlenmesi

Çalışma sırasında yağ çıkış deliğinde küçük tozlar ve parçacıklar birikebilir. Yağ filtresinde biriken bu tozlar ve parçacıklar yağ akışını engelleyebilir ve testere zincirinin tamamına yeterli yağlama yapılamamasına neden olabilir. Kılavuz çubuğun tepesinde yetersiz zincir yağı iletimi olduğu görülürse yağ çıkış deliğini aşağıdaki gibi temizleyin.

1. Zincir dişlisi kapağını ve testere zincirini aletten çıkarın.

2. Düz uçlu bir tornavida veya benzeri bir alet kullanarak küçük tozları ve parçacıkları temizleyin.

► Şek.55: 1. Düz uçlu tornavida 2. Yağ çıkış deliği

3. Batarya kartuşunu alete takın. Zincir yağını boşaltarak birikmiş tozları ve parçacıkları yağ çıkış deliğinden dışarı akıtmak için anahtar tetiği çekin.

4. Aletten batarya kartuşunu çıkarın. Zincir dişlisi kapağını ve testere zincirini tekrar alete takın.

Zincir dişlisinin değiştirilmesi

⚠DİKKAT: Eskimiş bir zincir dişlisi yeni testere zincirine zarar verir. Bu durumda zincir dişlisini yeniyle değiştirin.

Yeni bir testere zinciri takmadan önce, zincir dişlisinin durumunu kontrol edin. Zincir dişlisi aşınmış veya hasar görmüşse Makita Yetkili Servis Merkezlerine değiştirin.

► Şek.56: 1. Zincir dişlisi 2. Aşınan alanlar

Aletin saklanması

1. Saklamadan önce aleti temizleyin. Zincir dişlisi kapağını çıkardıktan sonra talaşları ve testere tozlarını aletten temizleyin.

2. Aleti temizledikten sonra, testere zincirini ve kılavuz çubuğu yağlamak için yüksüz çalıştırın.

3. Kılavuz çubuğu, kılavuz çubuk kılıfıyla örtün ve ardından boruyu kısaltın.

4. Yağ tankını boşaltın.

Ögeyi kontrol edin / Çalışma süresi		Kullanımdan önce	Her gün	Her hafta	3 ayda bir	Yılda bir	Saklamadan önce
Tüm alet	İnceleme.	✓	-	-	-	-	-
	Temizleme.	-	✓	-	-	-	-
	Yetkili servis merkezinde kontrol ettirin.	-	-	-	-	✓	✓
Testere zinciri	İnceleme.	✓	-	-	-	-	-
	Gerekirse bileyin.	-	-	-	-	-	✓
Kılavuz çubuk	İnceleme.	✓	✓	-	-	-	-
	Aletten çıkarın.	-	-	-	-	-	✓
Zincir yağı	Yağ besleme hızını kontrol edin.	✓	-	-	-	-	-
Anahtar tetik	İnceleme.	✓	-	-	-	-	-
Güvenlik kilidi kolu	İnceleme.	✓	-	-	-	-	-
Yağ tankı kapağı	Sıklığına kontrol edin.	✓	-	-	-	-	-
Vida ve somunlar	İnceleme.	-	-	✓	-	-	-

SORUN GİDERME

Anarım için servise gitmeden önce kontrolleri yapın. Kılavuzda açıklanmayan bir problemle karşılaşırsanız aleti demonte etmeyin. Bunun yerine, Makita Yetkili Servis Merkezlerine başvurun ve daima orijinal Makita yedek parçaları kullanın.

Arıza durumu	Neden	Çözüm
Alet çalışmıyor.	Batarya kartuşu takılı değil.	Şarjlı bir batarya kartuşu takın.
	Batarya problemi (düşük voltaj).	Batarya kartuşlarını şarj edin. Şarj etmek işe yaramıyorsa, batarya kartuşunu değiştirin.
	Ana güç anahtarı kapalı.	Belli bir süre kullanılmadığında alet otomatik olarak kapanır. Ana güç anahtarını tekrar açın.
Kısa bir kullanımdan sonra motor duruyor.	Bataryanın şarj seviyesi düşük.	Batarya kartuşlarını şarj edin. Şarj etmek işe yaramıyorsa, batarya kartuşunu değiştirin.
Zincirde hiç yağ yok.	Yağ tankı boş.	Yağ tankını doldurun.
	Yağ kılavuzu oluğu kirli.	Oluğu temizleyin.
	Yetersiz yağ iletimi.	Ayar vidası ile yağ iletim miktarını ayarlayın.
Alet maksimum dev/dak oranına ulaşmıyor.	Batarya kartuşu düzgün takılmamış.	Batarya kartuşlarını bu kılavuzda açıkladığı gibi takın.
	Bataryanın gücü düşüyor.	Batarya kartuşunu şarj edin. Şarj etmek işe yaramıyorsa, batarya kartuşunu değiştirin.
	Sürüş sistemi doğru işlemiyor.	Bölgenizdeki yetkili servis merkezinden tamir etmesini isteyin.
Ana güç lambası yeşil yanıp sönüyor.	Kullanımın mümkün olmadığı bir durumda anahtar tetik çekilmiş.	Ana güç anahtarını açtıktan sonra anahtar tetiği çekin.
Anormal titreşim: Aleti hemen durdurun!	Kılavuz çubuğu veya testere zinciri gevşek.	Kılavuz çubuğu ve testere zinciri gerilimini ayarlayın.
	Alet arızası.	Bölgenizdeki yetkili servis merkezinden tamir etmesini isteyin.

Arıza durumu	Neden	Çözüm
Batarya kartuşu tam dolu bir kartuşla değiştirdikten sonra Tork Takviyesi modu kullanılmıyor.	Kullanım koşullarına bağlı olarak batarya kartuşu değiştirildikten sonra Tork Takviyesi modu kullanılamaz.	Takılı batarya kartuşu boşalana kadar aleti normal modda kullanın ve ardından batarya kartuşunu tam dolu bir kartuşla değiştirin veya batarya kartuşunu şarj edin.
Testere zinciri takılmıyor.	Testere zinciri ve zincir dişlisi kombinasyonu hatalı.	Teknik özellikler kısmına bakarak doğru testere zinciri ve zincir dişlisi kombinasyonunu kullanın.

İSTEĞE BAĞLI AKSESUARLAR

⚠ DİKKAT: Bu aksesuarlar ve ek parçalar bu el kitabında belirtilen Makita aletiniz ile kullanılmak için tavsiye edilmektedir. Herhangi başka bir aksesuar ya da ek parça kullanılması insanlar için bir yaralanma riski getirebilir. Aksesuarları ya da ek parçaları yalnızca belirtilmiş olan kullanım amaçlarına uygun olarak kullanın.

Bu aksesuarlarla ilgili daha fazla bilgiye ihtiyaç duyar-sanız bulunduğunuz yerdeki yetkili Makita servisine başvurun.

- Testere zinciri
- Kılavuz çubuk
- Kılavuz çubuk kılıfı
- Açılı ek parça
- Eğge
- Orijinal Makita batarya ve şarj aleti

⚠ UYARI: Standart kılavuz çubuktan farklı uzunlukta bir kılavuz çubuk satın aldıysanız, onunla birlikte uygun bir kılavuz çubuk kılıfı da satın alın. Kılıf, aletin üzerindeki kılavuz çubuğa uymalı ve onu tamamen örtmelidir.

NOT: Listedeki parçaların bazıları alet paketi içerisinde standart aksesuar olarak dahil edilmiş olabilir. Bunlar ülkeden ülkeye farklılık gösterebilir.

Makita Europe N.V.

Jan-Baptist Vinkstraat 2, 3070 Kortenberg, Belgium

Makita Corporation

3-11-8, Sumiyoshi-cho, Anjo, Aichi 446-8502 Japan

www.makita.com



885798C995
EN, FR, DE, IT, NL,
ES, PT, EL, TR
20240704