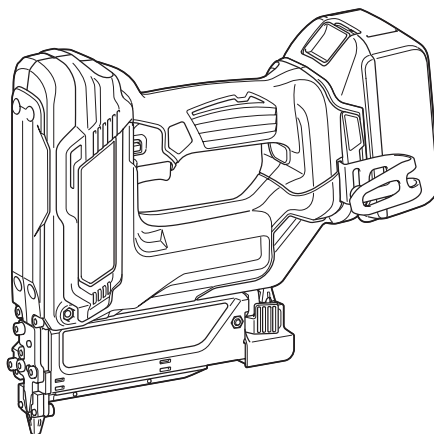
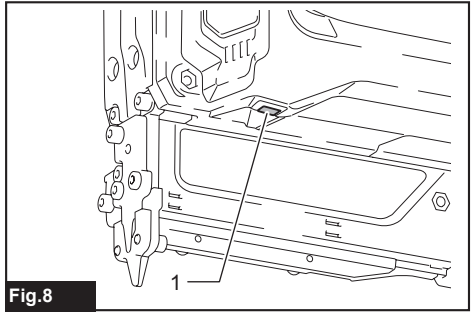
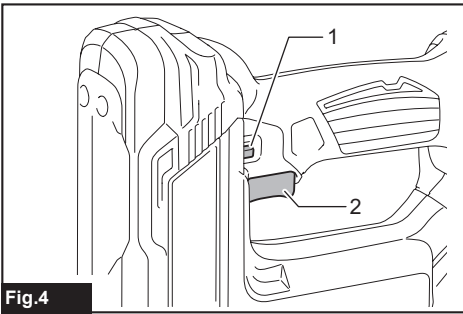
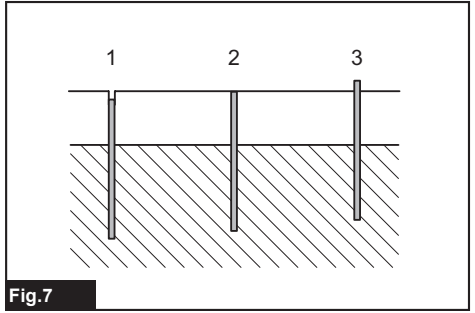
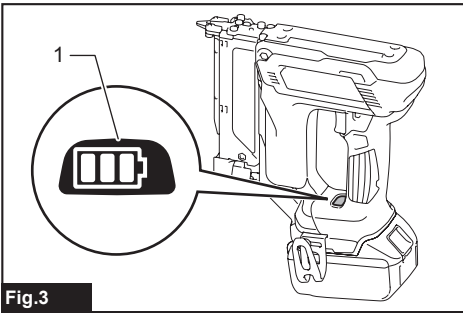
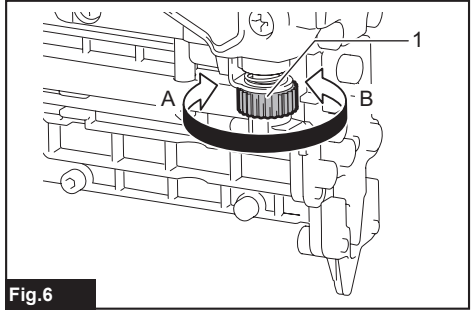
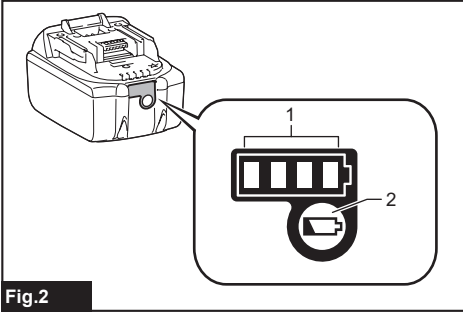
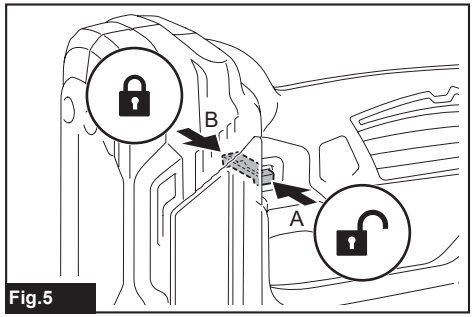
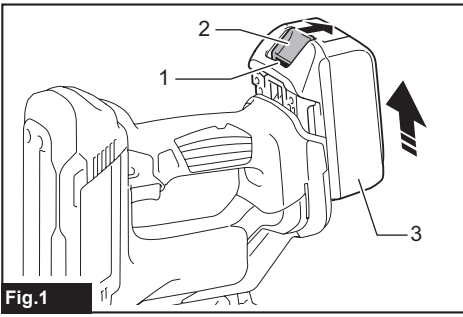




EN	Cordless Pin Nailer	INSTRUCTION MANUAL	5
FR	Cloueur sans fil	MANUEL D'INSTRUCTIONS	11
DE	Akku-Pintacker	BETRIEBSANLEITUNG	17
IT	Chiodatrice per chiodi a spillo a batteria	ISTRUZIONI PER L'USO	24
NL	Accunagelpistool	GEBRUIKSAANWIJZING	30
ES	Clavadora Inalámbrica	MANUAL DE INSTRUCCIONES	36
PT	Pinador a Bateria	MANUAL DE INSTRUÇÕES	43
DA	Akku-stiftepistol	BRUGSANVISNING	49
EL	Φορητό καρφωτικό βελονιών	ΕΓΧΕΙΡΙΔΙΟ ΟΔΗΓΙΩΝ	55
TR	Akülü Başıız Çivi Çakma Tabancası	KULLANMA KILAVUZU	62

DPT353





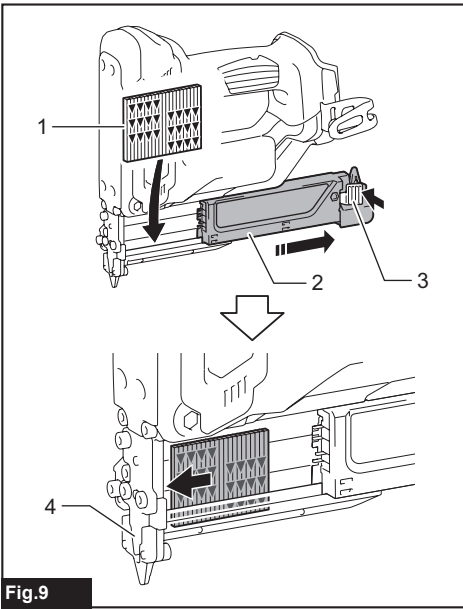


Fig.9

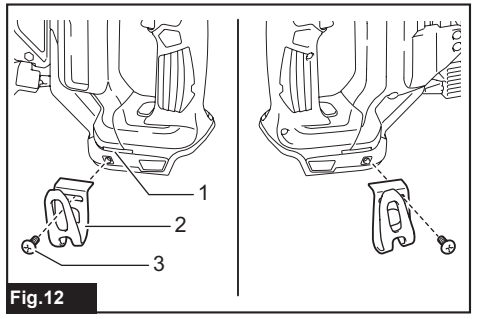


Fig.12

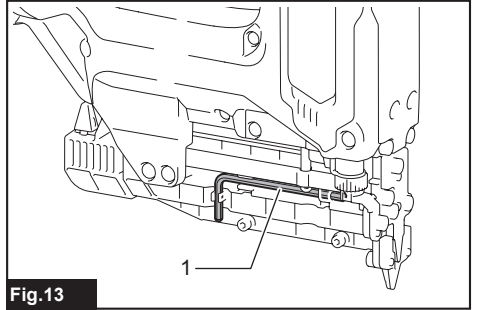


Fig.13

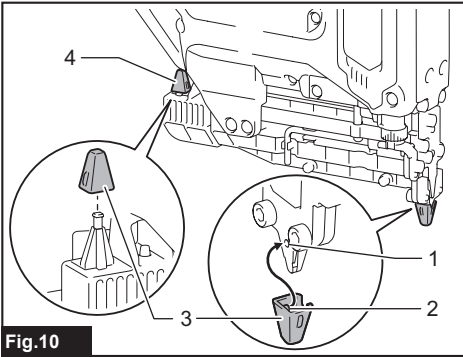


Fig.10

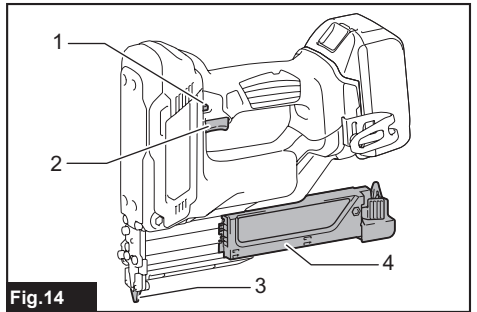


Fig.14

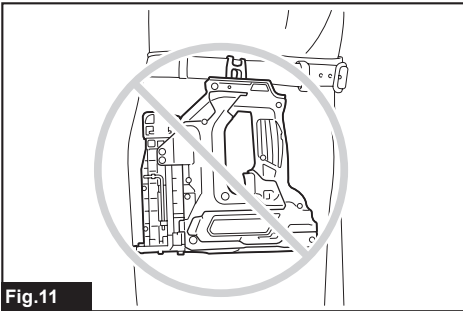


Fig.11

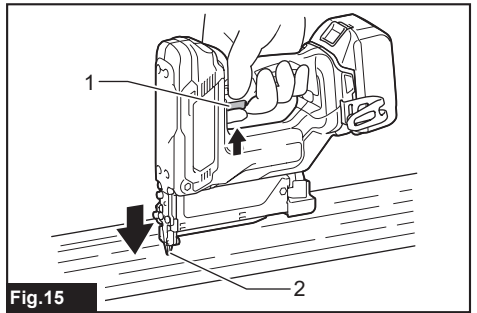


Fig.15

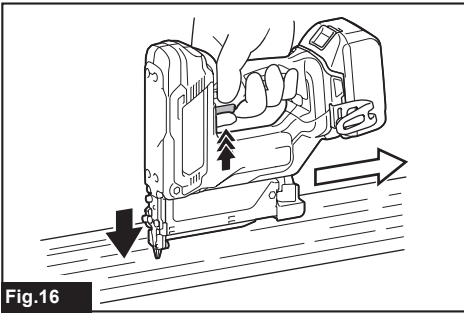


Fig.16

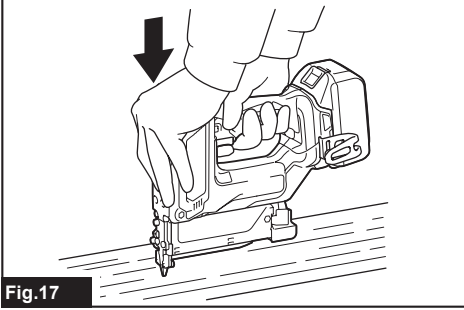


Fig.17

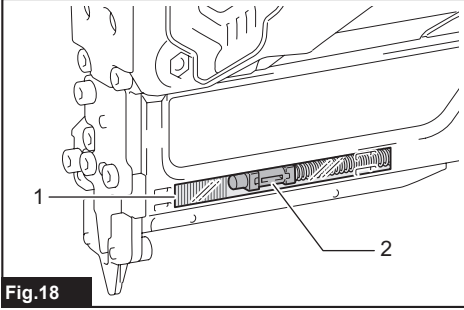


Fig.18

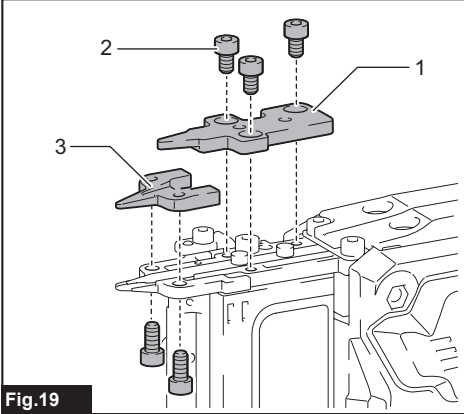


Fig.19

SPECIFICATIONS

Model:	DPT353	
Pin nail size	ø0.6 mm x 15, 18, 25, 30, 35 mm	
Pin nail magazine capacity	100 pcs.	
Dimensions without hook (L x W x H)	257 mm x 79 mm x 226 mm	
Rated voltage	D.C. 18 V	
Battery cartridge	BL 1815, BL 1815N, BL 1820, BL 1820B	BL 1830, BL 1830B, BL 1840, BL 1840B, BL 1850, BL 1850B, BL 1860B
Net weight	2.0 kg	2.2 kg

- Due to our continuing program of research and development, the specifications herein are subject to change without notice.
- Specifications and battery cartridge may differ from country to country.
- Weight, with battery cartridge, according to EPTA-Procedure 01/2003

Intended use

The tool is intended for pressing pin nails into construction materials such as timbers.

Noise

The typical A-weighted noise level determined according to EN60745:

Sound pressure level (L_{pA}) : 76 dB(A)

Uncertainty (K) : 3 dB(A)

The noise level under working may exceed 80 dB (A).

⚠WARNING: Wear ear protection.

Vibration

The vibration total value determined according to EN60745:

Vibration emission (a_w) : 2.5 m/s² or less

Uncertainty (K) : 1.5 m/s²

NOTE: The declared vibration emission value has been measured in accordance with the standard test method and may be used for comparing one tool with another.

NOTE: The declared vibration emission value may also be used in a preliminary assessment of exposure.

⚠WARNING: The vibration emission during actual use of the power tool can differ from the declared emission value depending on the ways in which the tool is used.

⚠WARNING: Be sure to identify safety measures to protect the operator that are based on an estimation of exposure in the actual conditions of use (taking account of all parts of the operating cycle such as the times when the tool is switched off and when it is running idle in addition to the trigger time).

EC Declaration of Conformity

For European countries only

The EC declaration of conformity is included as Annex A to this instruction manual.

SAFETY WARNINGS

General power tool safety warnings

⚠WARNING: Read all safety warnings, instructions, illustrations and specifications provided with this power tool. Failure to follow all instructions listed below may result in electric shock, fire and/or serious injury.

Save all warnings and instructions for future reference.

The term "power tool" in the warnings refers to your mains-operated (corded) power tool or battery-operated (cordless) power tool.

Cordless nailer safety warnings

1. **Always assume that the tool contains fasteners.** Careless handling of the nailer can result in unexpected firing of fasteners and personal injury.
2. **Do not point the tool towards yourself or anyone nearby.** Unexpected triggering will discharge the fastener causing an injury.
3. **Do not actuate the tool unless the tool is placed firmly against the workpiece.** If the tool is not in contact with the workpiece, the fastener may be deflected away from your target.
4. **Disconnect the tool from the power source when the fastener jams in the tool.** While removing a jammed fastener, the nailer may be accidentally activated if it is plugged in.
5. **Use caution while removing a jammed fastener.** The mechanism may be under compression and the fastener may be forcefully discharged while attempting to free a jammed condition.
6. **Do not use this nailer for fastening electrical cables.** It is not designed for electric cable installation and may damage the insulation of electric cables thereby causing electric shock or fire hazards.

7. Always wear safety glasses to protect your eyes from dust or fastener injury.
⚠WARNING: It is an employer's responsibility to enforce the use of safety eye protection equipment by the tool operators and by other persons in the immediate working area.
8. Keep hands and feet away from the ejection port area.
9. Follow instruction for lubricating and changing accessories.
10. Always remove the battery cartridge before loading the fasteners, adjustment, inspection, maintenance or after operation is over.
11. Make sure no one is nearby before operation. Never attempt to drive fasteners from both the inside and outside of wall at the same time. Fasteners may rip through and/or fly off, presenting a grave danger.
12. Watch your footing and maintain your balance with the tool. Make sure there is no one below when working in high locations.
13. Never use fastener driving tools marked with the symbol "Do not use on scaffoldings, ladders" for specific application for example:
 - when changing one driving location to another involves the use of scaffoldings, stairs, ladders, or ladder alike constructions, e.g. roof laths;
 - closing boxes or crates;
 - fitting transportation safety systems e.g. on vehicles and wagons.
14. Check walls, ceilings, floors, roofing and the like carefully to avoid possible electrical shock, gas leakage, explosions, etc. caused by stapling into live wires, conduits or gas pipes.
15. Use only fasteners specified in this manual. The use of any other fasteners may cause malfunction of the tool.
16. Do not tamper with the tool or attempt to use it for other than driving fasteners.
17. Do not operate the tool without fasteners. It shortens the service life of the tool.
18. Stop driving operations immediately if you notice something wrong or out of the ordinary with the tool.
19. Never fasten into any materials which may allow the fastener to puncture and fly through as a projectile.
20. Never actuate the switch trigger and contact element at the same time until you are prepared to fasten workpieces. Allow the workpiece to depress the contact element. Never defeat its purpose by securing the contact element back or by depressing it by hand.
21. Never tamper with the contact element. Check the contact element frequently for proper operations.
22. Always remove fasteners from the tool when not in use.

SAVE THESE INSTRUCTIONS.

⚠WARNING: DO NOT let comfort or familiarity with product (gained from repeated use) replace strict adherence to safety rules for the subject product. MISUSE or failure to follow the safety rules stated in this instruction manual may cause serious personal injury.

Important safety instructions for battery cartridge

1. Before using battery cartridge, read all instructions and cautionary markings on (1) battery charger, (2) battery, and (3) product using battery.
2. Do not disassemble battery cartridge.
3. If operating time has become excessively shorter, stop operating immediately. It may result in a risk of overheating, possible burns and even an explosion.
4. If electrolyte gets into your eyes, rinse them out with clear water and seek medical attention right away. It may result in loss of your eyesight.
5. Do not short the battery cartridge:
 - (1) Do not touch the terminals with any conductive material.
 - (2) Avoid storing battery cartridge in a container with other metal objects such as nails, coins, etc.
 - (3) Do not expose battery cartridge to water or rain. A battery short can cause a large current flow, overheating, possible burns and even a breakdown.
6. Do not store the tool and battery cartridge in locations where the temperature may reach or exceed 50 °C (122 °F).
7. Do not incinerate the battery cartridge even if it is severely damaged or is completely worn out. The battery cartridge can explode in a fire.
8. Be careful not to drop or strike battery.
9. Do not use a damaged battery.
10. The contained lithium-ion batteries are subject to the Dangerous Goods Legislation requirements. For commercial transports e.g. by third parties, forwarding agents, special requirement on packaging and labeling must be observed. For preparation of the item being shipped, consulting an expert for hazardous material is required. Please also observe possibly more detailed national regulations. Tape or mask off open contacts and pack up the battery in such a manner that it cannot move around in the packaging.
11. Follow your local regulations relating to disposal of battery.

SAVE THESE INSTRUCTIONS.

⚠CAUTION: Only use genuine Makita batteries. Use of non-genuine Makita batteries, or batteries that have been altered, may result in the battery bursting causing fires, personal injury and damage. It will also void the Makita warranty for the Makita tool and charger.

Tips for maintaining maximum battery life

1. Charge the battery cartridge before completely discharged. Always stop tool operation and charge the battery cartridge when you notice less tool power.
2. Never recharge a fully charged battery cartridge. Overcharging shortens the battery service life.
3. Charge the battery cartridge with room temperature at 10 °C - 40 °C (50 °F - 104 °F). Let a hot battery cartridge cool down before charging it.
4. Charge the battery cartridge if you do not use it for a long period (more than six months).

FUNCTIONAL DESCRIPTION

CAUTION: Always be sure that the tool is switched off and the battery cartridge is removed before adjusting or checking function on the tool.

Installing or removing battery cartridge

CAUTION: Always switch off the tool before installing or removing of the battery cartridge.

CAUTION: Hold the tool and the battery cartridge firmly when installing or removing battery cartridge. Failure to hold the tool and the battery cartridge firmly may cause them to slip off your hands and result in damage to the tool and battery cartridge and a personal injury.

► **Fig.1:** 1. Red indicator 2. Button 3. Battery cartridge

To remove the battery cartridge, slide it from the tool while sliding the button on the front of the cartridge.

To install the battery cartridge, align the tongue on the battery cartridge with the groove in the housing and slip it into place. Insert it all the way until it locks in place with a little click. If you can see the red indicator on the upper side of the button, it is not locked completely.

CAUTION: Always install the battery cartridge fully until the red indicator cannot be seen. If not, it may accidentally fall out of the tool, causing injury to you or someone around you.

CAUTION: Do not install the battery cartridge forcibly. If the cartridge does not slide in easily, it is not being inserted correctly.

Tool / battery protection system

The tool is equipped with a tool/battery protection system. This system automatically cuts off power to the motor to extend tool and battery life. The tool will automatically stop during operation if the tool or battery is placed under one of the following conditions:

Overload protection

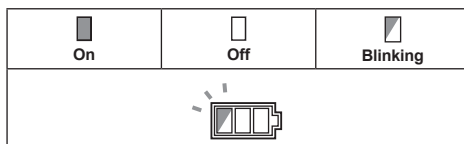
When the tool/battery is operated in a manner that causes it to draw an abnormally high current, the tool automatically stops without any indication. In this situation, turn the tool off and stop the application that caused the tool to become overloaded. Then turn the tool on to restart.

Overheat protection

When the tool/battery is overheated, the tool stops automatically. In this situation, let the tool/battery cool before turning the tool on again.

Overdischarge protection

When the battery capacity is not enough, the tool stops automatically and the battery indicator shows following state. In this case, remove the battery from the tool and charge the battery.



Indicating the remaining battery capacity

Only for battery cartridges with the indicator

► **Fig.2:** 1. Indicator lamps 2. Check button

Press the check button on the battery cartridge to indicate the remaining battery capacity. The indicator lamps light up for few seconds.

Indicator lamps			Remaining capacity
Lighted	Off	Blinking	
■ ■ ■ ■			75% to 100%
■ ■ ■ □			50% to 75%
■ ■ □ □			25% to 50%
■ □ □ □			0% to 25%
▤ □ □ □			Charge the battery.
■ □ □ □	↑ ↓	■	The battery may have malfunctioned.

NOTE: Depending on the conditions of use and the ambient temperature, the indication may differ slightly from the actual capacity.


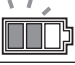
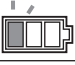


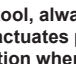
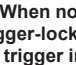
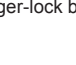
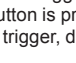
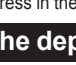
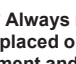
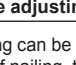
Indicating the remaining battery capacity

Country specific

When you either pull the switch trigger or push the contact element, the battery indicator shows the remaining battery capacity.

► **Fig.3:** 1. Battery indicator

The remaining battery capacity is shown as the following table.

Battery indicator status			Remaining battery capacity
On	Off	Blinking	
			50% to 100%
			20% to 50%
			0% to 20%
			Charge the battery

Trigger-lock button

CAUTION: Before installing the battery cartridge into the tool, always check to see that the switch trigger actuates properly and returns to the "OFF" position when released.

CAUTION: When not operating the tool, depress the trigger-lock button from B side to lock the switch trigger in the OFF position.

- ▶ Fig.4: 1. Trigger-lock button 2. Switch trigger
- ▶ Fig.5

To prevent the switch trigger from accidentally pulled, the trigger-lock button is provided.

To pull the switch trigger, depress the trigger-lock button from A side.

After use, always press in the trigger-lock button from B side.

Adjusting the depth of pin-nailing

WARNING: Always make sure that your fingers are not placed on the switch trigger or the contact element and the battery cartridge is removed before adjusting the depth of nailing.

Depth of pin-nailing can be adjusted on this pin nailer. To adjust the depth of nailing, turn the adjuster. The depth of nailing is the deepest when the adjuster is turned fully in the A direction shown in the figure. It will become shallower as the adjuster is turned in the B direction. Depth can be adjusted 1.5 mm to the maximum.

- ▶ Fig.6: 1. Adjuster
- ▶ Fig.7: 1. Too deep 2. Flush 3. Too shallow

Lighting up the lamp

CAUTION: Do not look in the light or see the source of light directly.

Pull the switch trigger or actuate the contact element to light up the lamp. The lamp keeps on lighting while pulling the switch trigger or actuating the contact element. The lamp goes out approximately 10 seconds after releasing the switch trigger and the contact element.

- ▶ Fig.8: 1. Lamp

NOTE: Use a dry cloth to wipe the dirt off the lens of the lamp. Be careful not to scratch the lens of lamp, or it may lower the illumination.

NOTE: Even in the lamp lights up when the battery power residual gets small, pin nailer may not fire pin nails. In this case, charge the battery cartridge.

ASSEMBLY

CAUTION: Always make sure that your fingers are not placed on the switch trigger or the contact element and the battery cartridge is removed before carrying out any work on the pin nailer.

Loading the pin nailer

CAUTION: Always make sure that the battery cartridge is removed before loading the pin nailer. Unintentional firing may cause personal injuries and property damage.

CAUTION: Do not abruptly slide the magazine of the pin nailer loaded with pin nails. Accidentally dropping pin nails especially when working in high places may cause personal injuries.

CAUTION: Load pin nails in the correct direction. Loading in wrong direction may cause premature wear and tear of the driver and damage of the other parts.

CAUTION: Do not use deformed connected pin nails. Use pin nails specified in this manual. Using pin nails other than those specified may cause pin nail jamming and breakage of the pin nailer.

1. Remove the battery cartridge.
2. Press the locking lever and slide the magazine backward.
3. Align the tip of pin nails with the grooves at the bottom of the magazine and push the whole part of pin nails toward the driver guide. (Be careful to place pin nails in the right direction.)
- ▶ Fig.9: 1. Pin nails 2. Magazine 3. Locking lever 4. Driver guide
4. After loading pin nails, push back the magazine in place until it clicks.

To remove pin nails, follow the installation procedures in reverse.

Nose adapter

CAUTION: Always make sure that your fingers are not placed on the switch trigger or the contact element and the battery cartridge is removed before installing the nose adapter.

When firing pin nails on the material with easily-marred surfaces, use the nose adapter. To install the nose adapter, place it over the driver guide cover so that the protrusion inside the nose adapter fits to the dent in the driver guide cover. You can store the nose adapter on the holder on the back end of the magazine to keep it from being lost.

- **Fig.10:** 1. Dent 2. Protrusion 3. Nose adapter
4. Holder

Hook

⚠ CAUTION: Do not hang the hook from the waist belt. Dropping the pin nailer, which is caused by the hook accidentally coming out of place, may cause unintentional firing and result in personal injuries.

- **Fig.11**

The hook is convenient for temporarily hanging the tool. This can be installed on either side of the tool. To install the hook, insert it into a groove in the tool housing on either side and then secure it with a screw. To remove, loosen the screw and then take it out.

- **Fig.12:** 1. Groove 2. Hook 3. Screw

Hex wrench storage

When not in use, store the hex wrench as shown in the figure to keep it from being lost.

- **Fig.13:** 1. Hex wrench

OPERATION

Testing the safety system

⚠ WARNING: Make sure all safety systems are in working order before operation. Failure to do so may cause personal injuries.

- **Fig.14:** 1. Trigger-lock button 2. Switch trigger
3. Contact element 4. Magazine

Test safety systems for possible fault before operation as follows.

1. Unload pin nails from the tool and keep the magazine opened.
2. Install the battery cartridge and release the trigger lock.
3. Only pull the switch trigger without touching the contact element against the material.
4. Only touch the contact element against the material without pulling the switch trigger.

If the tool operates in the case of 3 and 4 above, the safety systems are faulty. Stop using the tool immediately and ask your local service center.

Driving pin nails

⚠ WARNING: Continue to place the contact element firmly on the material until the pin nail is driven completely. Unintentional firing may cause personal injuries.

1. Release the trigger lock.
2. Place flat the contact element on the material.
3. Pull the switch trigger fully to drive a pin nail.

4. To drive the next pin nail, release your finger from the switch trigger once, and then repeat the step 2 and 3 above.

- **Fig.15:** 1. Switch trigger 2. Contact element

You can also drive the pin nails when dragging the tool to the next area with the contact element pressed against the material and pulling the switch trigger.

- **Fig.16**

If the head of the pin nail remains above the workpiece surface, drive the pin nail while holding the pin nailer head firmly against the workpiece.

- **Fig.17**

NOTE: If the head of the pin nail still remains above the workpiece even you hold the pin nail head, the material may not be suitable for the pin nailer. Continuing to use the pin nailer on such material may result in a damage to the driver of the pin nailer and/or pin nailer jamming.

Anti dry fire mechanism

⚠ WARNING: Always make sure that your fingers are not placed on the switch trigger or the contact element and the battery cartridge is removed before loading the pin nailer.

When the number of remaining pin nails in the magazine are 0 - 3 pieces, the switch trigger can no longer be pulled. At this time, insert a new strip of pin nails in the magazine and the switch trigger can be pulled again.

NOTE: When firing a different length of pin nails shortly after the anti-dry firing device has actuated, insert a new strip of pin nails into the magazine and fire away all the prior pin nails that have remained on junk material.

Checking remaining pin nails

You can check the amount of remaining pin nails through the sight window.

The red indicator moves toward fastening opening with the amount of remaining pin nails become smaller.

- **Fig.18:** 1. Sight window 2. Indicator

Removing jammed pin nails

⚠ WARNING: Always make sure that the battery cartridge is removed before removing jammed pin nails.

Take out pin nails that remain inside the magazine. Remove three screws with the hex wrench that are securing the driver guide cover.

Take the jammed nails from the nail guide groove that has appeared.

When it is difficult to take out the jammed nails, further remove two screws with the hex wrench that are securing the contact top cover. Then take them out.

- **Fig.19:** 1. Driver guide cover 2. Screw 3. Contact top cover

MAINTENANCE

⚠ CAUTION: Always be sure that the tool is switched off and the battery cartridge is removed before attempting to perform inspection or maintenance.

NOTICE: Never use gasoline, benzine, thinner, alcohol or the like. Discoloration, deformation or cracks may result.

To maintain product SAFETY and RELIABILITY, repairs, any other maintenance or adjustment should be performed by Makita Authorized or Factory Service Centers, always using Makita replacement parts.

OPTIONAL ACCESSORIES

⚠ CAUTION: These accessories or attachments are recommended for use with your Makita tool specified in this manual. The use of any other accessories or attachments might present a risk of injury to persons. Only use accessory or attachment for its stated purpose.

If you need any assistance for more details regarding these accessories, ask your local Makita Service Center.

- Pin nails
- Makita genuine battery and charger
- Safety goggles

NOTE: Some items in the list may be included in the tool package as standard accessories. They may differ from country to country.

SPÉCIFICATIONS

Modèle :	DPT353	
Taille des clous sans tête	ø0,6 mm x 15, 18, 25, 30, 35 mm	
Capacité du magasin à clous sans tête	100 pièces	
Dimensions sans le crochet (L x l x H)	257 mm x 79 mm x 226 mm	
Tension nominale	18 V c.c.	
Batterie	BL 1815, BL 1815N, BL 1820, BL 1820B	BL 1830, BL 1830B, BL 1840, BL 1840B, BL 1850, BL 1850B, BL 1860B
Poids net	2,0 kg	2,2 kg

- Étant donné l'évolution constante de notre programme de recherche et de développement, les spécifications contenues dans ce manuel sont sujettes à modification sans préavis.
- Les spécifications et la batterie peuvent être différentes suivant les pays.
- Poids, avec la batterie, conformément à la procédure EPTA-01/2003

Utilisations

L'outil est conçu pour enfoncer des clous sans tête dans des matériaux de construction comme du bois d'œuvre.

Bruit

Niveau de bruit pondéré A typique, déterminé selon EN60745 :

Niveau de pression sonore (L_{pA}) : 76 dB (A)

Incertitude (K) : 3 dB (A)

Le niveau de bruit en fonctionnement peut dépasser 80 dB (A).

AVERTISSEMENT : Portez un serre-tête antibruit.

Vibrations

Valeur totale de vibration déterminée selon EN60745 :

Émission de vibrations (a_h) : 2,5 m/s² ou moins

Incertitude (K) : 1,5 m/s²

NOTE : La valeur d'émission de vibrations déclarée a été mesurée conformément à la méthode de test standard et peut être utilisée pour comparer les outils entre eux.

NOTE : La valeur d'émission de vibrations déclarée peut aussi être utilisée pour l'évaluation préliminaire de l'exposition.

AVERTISSEMENT : L'émission de vibrations lors de l'usage réel de l'outil électrique peut être différente de la valeur d'émission déclarée, suivant la façon dont l'outil est utilisé.

AVERTISSEMENT : Les mesures de sécurité à prendre pour protéger l'utilisateur doivent être basées sur une estimation de l'exposition dans des conditions réelles d'utilisation (en tenant compte de toutes les composantes du cycle d'utilisation, comme par exemple le moment de sa mise hors tension, lorsqu'il tourne à vide et le moment de son déclenchement).

Déclaration de conformité CE

Pour les pays européens uniquement

La déclaration de conformité CE est fournie en Annexe A à ce mode d'emploi.

CONSIGNES DE SÉCURITÉ

Consignes de sécurité générales pour outils électriques

AVERTISSEMENT : Veuillez lire les consignes de sécurité, instructions, illustrations et spécifications qui accompagnent cet outil électrique. Le non-respect de toutes les instructions indiquées ci-dessous peut entraîner une électrocution, un incendie et/ou de graves blessures.

Conservez toutes les mises en garde et instructions pour référence ultérieure.

Le terme « outil électrique » dans les avertissements fait référence à l'outil électrique alimenté par le secteur (avec cordon d'alimentation) ou à l'outil électrique fonctionnant sur batterie (sans cordon d'alimentation).

Consignes de sécurité pour clouer sans fil

1. **Prenez toujours pour acquis que l'outil contient des éléments de fixation.** Une manipulation imprudente du cloueur peut provoquer une projection inattendue des éléments de fixation et des blessures corporelles.
2. **Ne dirigez pas l'outil vers vous-même ou vers quiconque se trouvant à proximité.** Un déclenchement inattendu de la gâchette expulsera un élément de fixation entraînant des blessures.

3. **N'enclenchez l'outil qu'après l'avoir appuyé fermement contre la pièce.** Si l'outil n'est pas en contact avec la pièce, le élément de fixation peut être dévié de sa cible.
4. **Débranchez toujours l'outil de sa source d'alimentation lorsqu'un élément de fixation est coincé dans l'outil.** Lorsque vous retirez un élément de fixation coincé, vous risquez de déclencher accidentellement le cloueur si celui-ci est branché.
5. **Prenez garde lorsque vous retirez un élément de fixation coincé.** Le mécanisme peut être comprimé et le élément de fixation peut être propulsé énergiquement pendant que vous essayez de le décoincer.
6. **N'utilisez pas ce cloueur pour fixer des câbles électriques.** Il n'est pas conçu pour la pose de câbles électriques et peut endommager leur gaine isolante, ce qui comporte un risque d'électrocution et d'incendie.
7. **Portez toujours des lunettes de sécurité pour protéger vos yeux contre toute blessure au contact de la poussière ou d'une vis.**
⚠️ AVERTISSEMENT : L'employeur a la responsabilité d'imposer le port d'un dispositif de protection oculaire aux utilisateurs des outils et à toute autre personne présente dans la zone immédiate de travail.
8. **Gardez les mains et les pieds à l'écart de la zone de sortie d'éjection.**
9. **Suivez les instructions de lubrification et de changement des accessoires.**
10. **Retirez toujours la batterie avant de charger des éléments de fixation, de procéder à un réglage, une inspection ou l'entretien, ou après utilisation.**
11. **Assurez-vous que personne ne se trouve à proximité avant utilisation. N'essayez jamais d'enfoncer des éléments de fixation des côtés intérieur et extérieur du mur en même temps. Cela est très dangereux, puisque les éléments de fixation risquent alors de passer à travers et/ou d'être projetés.**
12. **Regardez où vous posez les pieds et maintenez un bon équilibre pendant l'utilisation de l'outil. Assurez-vous que personne ne se trouve dessous lorsque vous utilisez l'outil en hauteur.**
13. **N'utilisez jamais des outils destinés à enfoncer des éléments de fixation portant la mention « Ne pas utiliser sur un échafaudage ou une échelle » dans les cas suivants :**
 - Lorsque le passage d'un lieu d'utilisation à un autre implique l'utilisation d'échafaudages, d'escaliers ou d'échelles ou de structures similaires, par exemple des lattes de toiture ;
 - Pour fermer des boîtes ou des caisses ;
 - Pour installer des systèmes assurant la sécurité lors du transport, par exemple sur des véhicules ou des wagons.
14. **Vérifiez soigneusement le mur, plafond, plancher, toit ou autre structure pour éviter les risques d'électrocution, de fuite de gaz, d'explosion, etc., en agrafant des fils dénudés, des conduites ou des tuyaux de gaz.**
15. **Utilisez exclusivement les éléments de fixation spécifiés dans le présent manuel. L'utilisation d'autres éléments de fixation peut causer le dysfonctionnement de l'outil.**
16. **Ne modifiez pas l'outil ni n'essayez de l'utiliser pour une autre tâche qu'enfoncer des éléments de fixation.**
17. **N'utilisez pas l'outil sans éléments de fixation. Cela réduit la durée de vie de l'outil.**
18. **Cessez immédiatement l'utilisation si vous constatez un dysfonctionnement ou une anomalie sur l'outil.**
19. **N'enfoncez jamais de éléments de fixation dans des matériaux qu'ils peuvent percer et traverser comme des projectiles.**
20. **N'actionnez jamais simultanément la gâchette et l'élément de contact avant d'être prêt à fixer les pièces. Le contact avec la pièce doit enfoncer l'élément de contact. N'ignorez pas le rôle de l'élément de contact en le bloquant ou en l'enfonçant manuellement.**
21. **Ne modifiez jamais l'élément de contact. Inspectez régulièrement le bon fonctionnement de l'élément de contact.**
22. **Retirez toujours les éléments de fixation de l'outil lorsque vous ne l'utilisez pas.**

CONSERVEZ CES INSTRUCTIONS.

⚠️ AVERTISSEMENT : NE vous laissez PAS tromper (au fil d'une utilisation répétée) par un sentiment d'aisance et de familiarité avec le produit, en négligeant le respect rigoureux des consignes de sécurité qui accompagnent le produit en question. La MAUVAISE UTILISATION de l'outil ou l'ignorance des consignes de sécurité indiquées dans ce mode d'emploi peut entraîner de graves blessures.

Consignes de sécurité importantes pour la batterie

1. **Avant d'utiliser la batterie, lisez toutes les instructions et précautions relatives (1) au chargeur de batterie, (2) à la batterie, et (3) au produit utilisant la batterie.**
2. **Ne démontez pas la batterie.**
3. **Cessez immédiatement l'utilisation si le temps de fonctionnement devient excessivement court. Il y a risque de surchauffe, de brûlures, voire d'explosion.**
4. **Si l'électrolyte pénètre dans vos yeux, rincez-les à l'eau claire et consultez immédiatement un médecin. Il y a risque de perte de la vue.**
5. **Ne court-circuitez pas la batterie :**
 - (1) **Ne touchez les bornes avec aucun matériau conducteur.**
 - (2) **Évitez de ranger la batterie dans un conteneur avec d'autres objets métalliques, par exemple des clous, des pièces de monnaie, etc.**
 - (3) **N'exposez pas la batterie à l'eau ou à la pluie.**

Un court-circuit de la batterie peut provoquer une intensité de courant élevée, une surchauffe, parfois des brûlures et même une panne.

6. Ne rangez pas l'outil et la batterie dans un endroit où la température risque d'atteindre ou de dépasser 50 °C.
7. Ne jetez pas la batterie au feu même si elle est sérieusement endommagée ou complètement épuisée. La batterie peut exploser au contact du feu.
8. Évitez de laisser tomber ou de cogner la batterie.
9. N'utilisez pas la batterie si elle est endommagée.
10. Les batteries au lithium-ion contenues sont soumises aux exigences de la législation sur les marchandises dangereuses. Lors du transport commercial par des tierces parties ou des transitaires par exemple, des exigences spécifiques en matière d'étiquetage et d'emballage doivent être respectées. Pour la préparation de l'article expédié, il est nécessaire de consulter un expert en matériau dangereux. Veuillez également respecter les réglementations nationales susceptibles d'être plus détaillées. Recouvrez les contacts exposés avec du ruban adhésif ou du ruban de masquage et emballez la batterie de telle sorte qu'elle ne puisse pas bouger dans l'emballage.
11. Suivez les réglementations locales en matière de mise au rebut des batteries.

CONSERVEZ CES INSTRUCTIONS.

ATTENTION : N'utilisez que des batteries Makita d'origine. L'utilisation de batteries de marque autre que Makita ou de batteries modifiées peut provoquer l'explosion des batteries, ce qui présente un risque d'incendie, de dommages matériels et corporels. Cela annulera également la garantie Makita pour l'outil et le chargeur Makita.

Conseils pour assurer la durée de vie optimale de la batterie

1. Chargez la batterie avant qu'elle ne soit complètement déchargée. Arrêtez toujours l'outil et rechargez la batterie quand vous remarquez que la puissance de l'outil diminue.
2. Ne rechargez jamais une batterie complètement chargée. La surcharge réduit la durée de service de la batterie.
3. Chargez la batterie à une température ambiante comprise entre 10 °C et 40 °C. Avant de charger une batterie chaude, laissez-la refroidir.
4. Rechargez la batterie si elle est restée inutilisée pendant une période prolongée (plus de six mois).

DESCRIPTION DU FONCTIONNEMENT

ATTENTION : Assurez-vous toujours que l'outil est hors tension et que sa batterie est retirée avant de l'ajuster ou de vérifier son fonctionnement.

Insertion ou retrait de la batterie

ATTENTION : Éteignez toujours l'outil avant de mettre en place ou de retirer la batterie.

ATTENTION : Tenez fermement l'outil et la batterie lors de la mise en place ou du retrait de la batterie. Si vous ne tenez pas fermement l'outil et la batterie, ils peuvent vous glisser des mains, et s'abîmer ou vous blesser.

► Fig.1: 1. Voyant rouge 2. Bouton 3. Batterie

Pour retirer la batterie, faites-la glisser hors de l'outil tout en faisant glisser le bouton à l'avant de la batterie.

Pour mettre en place la batterie, alignez la languette sur la batterie avec la rainure sur le compartiment et insérez-la. Insérez-la à fond jusqu'à ce qu'un léger déclic se fasse entendre. Si le voyant rouge sur le dessus du bouton est visible, cela signifie qu'elle n'est pas bien verrouillée.

ATTENTION : Insérez toujours complètement la batterie jusqu'à ce que le voyant rouge ne soit plus visible. Sinon, elle pourrait tomber accidentellement de l'outil, au risque de vous blesser ou de blesser quelqu'un se trouvant près de vous.

ATTENTION : N'insérez pas la batterie de force. Si elle ne glisse pas facilement, c'est que vous ne l'insérez pas correctement.

Système de protection de l'outil/la batterie

L'outil est équipé d'un système de protection de l'outil/la batterie. Ce système coupe automatiquement l'alimentation vers le moteur pour prolonger la durée de vie de l'outil et de la batterie. Si l'outil ou la batterie se trouve dans l'une des situations suivantes, l'outil cessera automatiquement de fonctionner.

Protection contre la surcharge





Lorsque l'outil ou la batterie est utilisé d'une manière provoquant un appel de courant anormalement élevé, l'outil s'arrête automatiquement sans indication. Dans ce cas, éteignez l'outil et arrêtez la tâche ayant provoqué la surcharge de l'outil. Puis rallumez l'outil pour reprendre la tâche.

Protection contre la surchauffe

En cas de surchauffe de l'outil ou de la batterie, l'outil s'arrête automatiquement. Dans ce cas, laissez l'outil ou la batterie refroidir avant de rallumer l'outil.

Protection contre la décharge totale de la batterie

Si la charge de la batterie est insuffisante, l'outil s'arrête automatiquement et le témoin de la batterie indique l'état suivant. Dans ce cas, retirez la batterie de l'outil et chargez-la.










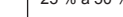

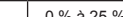




 Allumé	 Éteint	 Clignotant
		

Indication de la charge restante de la batterie

Uniquement pour les batteries avec voyant lumineux

► **Fig.2:** 1. Témoins 2. Bouton de vérification

Appuyez sur le bouton de vérification sur la batterie pour indiquer la charge restante de la batterie. Les témoins s'allument pendant quelques secondes.

Témoins			Charge restante
 Allumé	 Éteint	 Clignotant	
			75 % à 100 %
			50 % à 75 %
			25 % à 50 %
			0 % à 25 %
			Chargez la batterie.
			Anomalie possible de la batterie.
			

NOTE : Selon les conditions d'utilisation et la température ambiante, l'indication peut être légèrement différente de la capacité réelle.








Indication de la charge restante de la batterie

Propre au pays

Lorsque vous enclenchez la gâchette ou enfoncez l'élément de contact, le témoin de la batterie indique la charge restante de la batterie.

► **Fig.3:** 1. Témoin de la batterie

La charge restante de la batterie est indiquée conformément au tableau ci-dessous.

Statut du témoin de la batterie			Charge restante de la batterie
 Allumé	 Éteint	 Clignotant	
			50 % à 100 %
			20 % à 50 %
			0 % à 20 %
			Chargez la batterie

Bouton de verrouillage de la gâchette

ATTENTION : Avant d'insérer la batterie dans l'outil, vérifiez toujours que la gâchette fonctionne bien et revient en position d'arrêt lorsque vous la relâchez.

ATTENTION : Lorsque vous n'utilisez pas l'outil, appuyez sur le côté B du bouton de verrouillage de la gâchette pour verrouiller la gâchette en position d'arrêt.

► **Fig.4:** 1. Bouton de verrouillage de la gâchette
2. Gâchette

► **Fig.5**

Pour éviter tout déclenchement accidentel de la gâchette, l'outil est muni d'un bouton de verrouillage de la gâchette. Pour enclencher la gâchette, appuyez sur le côté A du bouton de verrouillage de la gâchette. Après utilisation, appuyez toujours sur le côté B du bouton de verrouillage de la gâchette.

Réglage de la profondeur d'enfoncement des clous sans tête

AVERTISSEMENT : Vérifiez toujours que vos doigts ne se trouvent pas sur la gâchette ou sur l'élément de contact et que la batterie a été retirée avant d'ajuster la profondeur d'enfoncement des clous.

Il est possible d'ajuster la profondeur d'enfoncement des clous sans tête de ce cloueur. Pour ajuster la profondeur d'enfoncement, tournez le dispositif de réglage. La profondeur d'enfoncement des clous est maximale lorsque le dispositif de réglage est tourné à fond dans le sens A indiqué sur la figure. Tournez le dispositif de réglage dans le sens B pour la réduire. La plage de réglage de la profondeur est de 1,5 mm maximum.

► **Fig.6:** 1. Dispositif de réglage

► **Fig.7:** 1. Trop profond 2. Affleurant 3. Pas assez profond

Allumage de la lampe

ATTENTION : Évitez de regarder directement le faisceau lumineux ou sa source.

Enclenchez la gâchette ou actionnez l'élément de contact pour allumer la lampe. La lampe reste allumée tant que la gâchette est enclenchée ou l'élément de contact actionné. La lampe s'éteint environ 10 secondes après avoir relâché la gâchette et l'élément de contact.

► **Fig.8:** 1. Lampe

NOTE : Retirez la saleté sur la lentille de la lampe avec un chiffon sec. Prenez soin de ne pas érafler la lentille de la lampe sous peine de diminuer son éclairage.

NOTE : Lorsque la charge restante de la batterie est faible, il se peut que la lampe s'allume, mais que le cloueur ne projette pas de clou. Il faut alors charger la batterie.

ASSEMBLAGE

⚠ATTENTION : Vérifiez toujours que vos doigts ne se trouvent pas sur la gâchette ou sur l'élément de contact et que la batterie a été retirée avant toute intervention sur le cloueur.

Chargement des clous dans le cloueur

⚠ATTENTION : Vérifiez toujours que la batterie a été retirée avant de charger des clous dans le cloueur. Un déclenchement accidentel peut entraîner des dommages corporels ou matériels.

⚠ATTENTION : Ne faites pas glisser brusquement le magasin du cloueur lorsque celui-ci est chargé de clous. La chute accidentelle de clous sans tête peut entraîner des blessures, en particulier lorsque vous travaillez en hauteur.

⚠ATTENTION : Chargez les clous sans tête dans le bon sens. Un chargement dans le mauvais sens risque de provoquer une usure rapide du mécanisme d'entraînement et d'endommager les autres composants.

⚠ATTENTION : N'utilisez pas des clous sans tête déformés et collés ensemble. Utilisez exclusivement les clous sans tête spécifiés dans le présent manuel. Si vous utilisez d'autres clous sans tête que ceux spécifiés, vous risquez de coincer les clous et d'endommager le cloueur.

1. Retirez la batterie.
2. Appuyez sur le levier de verrouillage et faites glisser le magasin vers l'arrière.
3. Alignez l'extrémité du bloc de clous sans tête avec les rainures situées en bas du magasin et poussez la bande de clous vers le guide d'entraînement. (Veillez à charger les clous sans tête dans le bon sens.)
► **Fig.9:** 1. Clous sans tête 2. Magasin 3. Levier de verrouillage 4. Guide d'entraînement

4. Après avoir chargé les clous sans tête, remettez le magasin en place en le poussant jusqu'au clic.

Pour retirer les clous sans tête, inversez les étapes de la procédure d'installation.

Adaptateur de bec

⚠ATTENTION : Vérifiez toujours que vos doigts ne se trouvent pas sur la gâchette ou sur l'élément de contact et que la batterie a été retirée avant d'installer l'adaptateur de bec.

Lorsque vous enfoncez des clous dans des matériaux dont la surface marque facilement, utilisez l'adaptateur de bec. Pour installer l'adaptateur de bec, placez-le sur la protection du mécanisme d'entraînement de sorte que la partie saillante à l'intérieur de l'adaptateur de bec s'insère dans la partie femelle de la protection du mécanisme d'entraînement. Vous pouvez ranger l'adaptateur de bec sur le support situé à l'arrière du magasin pour éviter de l'égarer.

- **Fig.10:** 1. Partie femelle 2. Partie saillante
3. Adaptateur de bec 4. Support

Crochet

⚠ATTENTION : Ne suspendez pas le crochet à votre ceinture. Si le crochet se détache, le cloueur tombera, ce qui risque de provoquer un déclenchement involontaire et d'entraîner des blessures.

► **Fig.11**

Le crochet est pratique pour suspendre provisoirement l'outil. Il s'installe d'un côté comme de l'autre de l'outil. Pour installer le crochet, insérez-le dans une rainure du carter de l'outil sur l'un des deux côtés, puis fixez-le avec une vis. Pour le retirer, desserrez la vis et enlevez-le.

- **Fig.12:** 1. Rainure 2. Crochet 3. Vis

Rangement de la clé hexagonale

Après utilisation, rangez la clé hexagonale comme indiqué sur la figure pour éviter de l'égarer.

- **Fig.13:** 1. Clé hexagonale

UTILISATION

Vérification du système de sécurité

⚠AVERTISSEMENT : Assurez-vous que tous les systèmes de sécurité sont en état de fonctionner avant d'utiliser l'outil. Vous risquez autrement de vous blesser.

- **Fig.14:** 1. Bouton de verrouillage de la gâchette
2. Gâchette 3. Élément de contact
4. Magasin

Vérifiez l'absence de défaillance des systèmes de sécurité avant utilisation comme suit.

1. Retirez les clous sans tête de l'outil et laissez le magasin ouvert.
2. Installez la batterie et déverrouillez la gâchette.
3. Enclenchez uniquement la gâchette sans appuyer l'élément de contact contre le matériau.
4. Appuyez uniquement l'élément de contact contre le matériau sans enclencher la gâchette.

Si l'outil fonctionne dans les cas 3 et 4 ci-dessus, les systèmes de sécurité sont défaillants. Cessez immédiatement d'utiliser l'outil et confiez-le à votre SAV local.

Enfoncer les clous sans tête

⚠ AVERTISSEMENT : Maintenez fermement l'élément de contact contre le matériau jusqu'à ce que le clou sans tête soit complètement enfoncé. Un déclenchement accidentel peut entraîner des blessures corporelles.

1. Déverrouillez la gâchette.
 2. Posez à plat l'élément de contact sur le matériau.
 3. Appuyez à fond sur la gâchette pour enfoncer un clou sans tête.
 4. Pour enfoncer le clou sans tête suivant, relâchez la gâchette puis répétez les étapes 2 et 3 ci-dessus.
- **Fig.15:** 1. Gâchette 2. Élément de contact

Vous pouvez aussi enfoncer les clous sans tête lorsque vous déplacez l'outil vers l'endroit suivant en maintenant l'élément de contact sur le matériau et en appuyant sur la gâchette.

► **Fig.16**

Si l'extrémité des clous sans tête dépasse de la surface de la pièce, enfoncez les clous en maintenant fermement la tête du cloueur contre la pièce.

► **Fig.17**

NOTE : Si l'extrémité des clous sans tête dépasse de la surface de la pièce même lorsque vous maintenez la tête du cloueur, il se peut que le matériau ne soit pas adapté à l'utilisation d'un cloueur. Si vous continuez à utiliser le cloueur sur un tel matériau, vous risquez d'endommager le mécanisme d'entraînement du cloueur et/ou de coincer le cloueur.

Mécanisme anti-démarrage à vide

⚠ AVERTISSEMENT : Vérifiez toujours que vos doigts ne se trouvent pas sur la gâchette ou sur l'élément de contact et que la batterie a été retirée avant de charger le cloueur.

Lorsque le nombre de clous sans tête restant dans le magasin est compris entre 0 et 3, vous ne pouvez plus actionner la gâchette. Dans ce cas, insérez une nouvelle bande de clous sans tête dans le magasin. Vous pourrez ensuite actionner de nouveau la gâchette.

NOTE : Lorsque vous utilisez des clous sans tête de longueur différente peu de temps après que le mécanisme de prévention du déclenchement à vide a été actionné, insérez une nouvelle bande de clous dans le magasin et enfoncez tous les clous restants de la bande précédente sur un matériau destiné au rebut.

Vérification de la quantité de clous restants

Vous pouvez vérifier la quantité de clous sans tête restants grâce à la fenêtre de contrôle. Le témoin rouge se déplace vers l'orifice de projection à mesure que le nombre de clous sans tête restants diminue.

► **Fig.18:** 1. Fenêtre de contrôle 2. Témoin

Retrait des clous sans tête coincés

⚠ AVERTISSEMENT : Vérifiez toujours que la batterie a été retirée avant de retirer les clous sans tête coincés.

Retirez les clous sans tête restants dans le magasin. À l'aide de la clé hexagonale, enlevez les trois vis fixant la protection du mécanisme d'entraînement.

Retirez les clous sans tête coincés de la rainure du guide-clou que vous avez fait apparaître.

S'il est difficile de retirer les clous coincés, enlevez aussi à l'aide de la clé hexagonale les deux vis fixant la partie supérieure de l'élément de contact. Retirez ensuite les clous.

► **Fig.19:** 1. Protection du mécanisme d'entraînement
2. Vis 3. Partie supérieure de l'élément de contact

ENTRETIEN

⚠ ATTENTION : Assurez-vous toujours que l'outil est hors tension et que la batterie est retirée avant d'y effectuer tout travail d'inspection ou d'entretien.

REMARQUE : N'utilisez jamais d'essence, benzine, diluant, alcool ou autre produit similaire. Cela risquerait de provoquer la décoloration, la déformation ou la fissuration de l'outil.

Pour assurer la SÉCURITÉ et la FIABILITÉ du produit, toute réparation, tout travail d'entretien ou de réglage doivent être effectués par un centre d'entretien Makita agréé, avec des pièces de rechange Makita.

ACCESSOIRES EN OPTION

⚠ ATTENTION : Ces accessoires ou pièces complémentaires sont recommandés pour l'utilisation avec l'outil Makita spécifié dans ce mode d'emploi. L'utilisation de tout autre accessoire ou pièce complémentaire peut comporter un risque de blessure. N'utilisez les accessoires ou pièces complémentaires qu'aux fins auxquelles ils ont été conçus.

Pour obtenir plus de détails sur ces accessoires, contactez votre centre d'entretien local Makita.

- Clous sans tête
- Batterie et chargeur Makita d'origine
- Lunettes de sécurité

NOTE : Il se peut que certains éléments de la liste soient compris dans l'emballage de l'outil en tant qu'accessoires standard. Ils peuvent varier d'un pays à l'autre.

TECHNISCHE DATEN

Modell:	DPT353	
Stiftnagelgröße	ø0,6 mm x 15, 18, 25, 30, 35 mm	
Stiftnagelmagazin-Fassungsvermögen	100 Stück	
Abmessungen ohne Aufhänger (L x B x H)	257 mm x 79 mm x 226 mm	
Nennspannung	18 V Gleichstrom	
Akku	BL 1815, BL 1815N, BL 1820, BL 1820B	BL 1830, BL 1830B, BL 1840, BL 1840B, BL 1850, BL 1850B, BL 1860B
Nettogewicht	2,0 kg	2,2 kg

- Wir behalten uns vor, Änderungen der technischen Daten im Zuge der Entwicklung und des technischen Fortschritts ohne vorherige Ankündigung vorzunehmen.
- Die technischen Daten und der Akku können von Land zu Land unterschiedlich sein.
- Gewicht mit Akku nach EPTA-Verfahren 01/2003

Vorgesehene Verwendung

Das Werkzeug ist für das Einpressen von Stiftnägeln in Baumaterial, wie z. B. Bauholz, vorgesehen.

Geräusch

Typischer A-bewerteter Geräuschpegel ermittelt gemäß EN60745:

Schalldruckpegel (L_{pA}): 76 dB (A)

Messunsicherheit (K): 3 dB (A)

Der Geräuschpegel kann während des Betriebs 80 dB (A) überschreiten.

⚠️ WARNUNG: Einen Gehörschutz tragen.

Schwingungen

Der Schwingungsgesamtwert wurde gemäß EN60745 ermittelt:

Schwingungsemission (a_{hV}): 2,5 m/s² oder weniger
Messunsicherheit (K): 1,5 m/s²

HINWEIS: Der angegebene Schwingungsemissionswert wurde im Einklang mit der Standardprüfmethode gemessen und kann für den Vergleich zwischen Werkzeugen herangezogen werden.

HINWEIS: Der angegebene Schwingungsemissionswert kann auch für eine Vorbewertung des Gefährdungsgrads verwendet werden.

⚠️ WARNUNG: Die Schwingungsemission während der tatsächlichen Benutzung des Elektrowerkzeugs kann je nach der Benutzungsweise des Werkzeugs vom angegebenen Emissionswert abweichen.

⚠️ WARNUNG: Identifizieren Sie Sicherheitsmaßnahmen zum Schutz des Benutzers anhand einer Schätzung des Gefährdungsgrads unter den tatsächlichen Benutzungsbedingungen (unter Berücksichtigung aller Phasen des Arbeitszyklus, wie z. B. Ausschalt- und Leerlaufzeiten des Werkzeugs zusätzlich zur Betriebszeit).

EG-Konformitätserklärung

Nur für europäische Länder

Die EG-Konformitätserklärung ist als Anhang A in dieser Bedienungsanleitung enthalten.

SICHERHEITSWARNUNGEN

Allgemeine Sicherheitswarnungen für Elektrowerkzeuge

⚠️ WARNUNG: Lesen Sie alle mit diesem Elektrowerkzeug gelieferten Sicherheitswarnungen, Anweisungen, Abbildungen und technischen Daten durch. Eine Missachtung der unten aufgeführten Anweisungen kann zu einem elektrischen Schlag, Brand und/oder schweren Verletzungen führen.

Bewahren Sie alle Warnungen und Anweisungen für spätere Bezugnahme auf.

Der Ausdruck „Elektrowerkzeug“ in den Warnhinweisen bezieht sich auf Ihr mit Netzstrom (mit Kabel) oder Akku (ohne Kabel) betriebenes Elektrowerkzeug.

Sicherheitswarnungen für Akku-Tacker

1. **Gehen Sie stets von der Annahme aus, dass das Werkzeug Befestigungselemente enthält.** Achtlose Handhabung des Tackers kann zu unerwartetem Abschuss von Befestigungselementen und daraus resultierenden Personenschäden führen.
2. **Richten Sie das Werkzeug nicht auf sich oder umstehende Personen.** Unerwartete Auslösung bewirkt Abschuss des Befestigungselements und verursacht eine Verletzung.

3. **Betätigen Sie das Werkzeug nur, wenn es fest auf das Werkstück aufgesetzt ist.** Ist das Werkzeug nicht mit dem Werkstück in Kontakt, kann das Befestigungselement von Ihrem beabsichtigten Ziel abgelenkt werden.
4. **Trennen Sie das Werkzeug von der Stromquelle, wenn ein Befestigungselement im Werkzeug klemmt.** Ist der Akku eingesetzt, kann der Tacker beim Entfernen eines klemmenden Befestigungselements versehentlich betätigt werden.
5. **Lassen Sie beim Entfernen eines klemmenden Befestigungselements Vorsicht walten.** Der Mechanismus kann unter Druck stehen, und das Befestigungselement kann abgeschossen werden, während versucht wird, den Klemmzustand aufzuheben.
6. **Benutzen Sie diesen Tacker nicht zur Befestigung von elektrischen Kabeln.** Er ist nicht für die Installation von elektrischen Kabeln ausgelegt und kann deren Isolierung beschädigen, was zu einem elektrischen Schlag oder Brand führen kann.
7. **Tragen Sie stets eine Schutzbrille, um Ihre Augen vor Staub und Verletzungen durch Befestigungsmittel zu schützen.**
⚠️WARNUNG: Der Arbeitgeber ist dafür verantwortlich, den Gebrauch von Schutzbrillen für die Werkzeugbenutzer und andere Personen im unmittelbaren Arbeitsbereich durchzusetzen.
8. **Halten Sie Hände und Füße vom Bereich der Auswurföffnung fern.**
9. **Befolgen Sie die Anweisungen für die Schmierung und den Austausch von Zubehör.**
10. **Nehmen Sie stets den Akku ab, bevor Sie die Befestigungselemente laden, Einstellungen, Überprüfungen, Wartungsarbeiten durchführen, oder nachdem die Arbeit abgeschlossen ist.**
11. **Vergewissern Sie sich vor der Arbeit, dass keine Personen in der Nähe sind.** Versuchen Sie niemals, Befestigungselemente gleichzeitig von der Innen- und Außenseite einer Wand einzutreiben. Befestigungselemente können durchschlagen und/oder herausfliegen, was eine große Gefahr darstellt.
12. **Achten Sie beim Arbeiten mit dem Werkzeug auf sicheren Stand und Gleichgewicht.** Vergewissern Sie sich bei Arbeiten an hohen Orten, dass sich niemand unterhalb aufhält.
13. **Benutzen Sie niemals mit der Aufschrift „Nicht auf Gerüsten, Leitern verwenden“ versehene Tacker für spezifische Anwendungen, wie z. B.:**
 - wenn für einen Arbeitsplatzwechsel Gerüste, Treppen, Leitern oder leiterähnliche Konstruktionen, wie z. B. Dachlatten erforderlich sind;
 - zum Verschließen von Kisten oder Verschlägen;
 - zum Anbringen von Transportsicherheitssystemen z. B. an Fahrzeugen und Wagen.
14. **Überprüfen Sie Wände, Decken, Fußböden, Dach und dergleichen sorgfältig, um durch Kontakt mit Strom führenden Kabeln, Isolierrohren oder Gasrohren verursachte mögliche elektrische Schläge, Gaslecks, Explosionen usw. zu vermeiden.**
15. **Verwenden Sie nur die in dieser Anleitung angegebenen Befestigungselemente.** Die Verwendung anderer Befestigungselemente kann eine Funktionsstörung des Werkzeugs verursachen.
16. **Nehmen Sie keine unerlaubten Änderungen am Werkzeug vor, und versuchen Sie nicht, es für andere Zwecke als Eintreiben von Befestigungselementen zu verwenden.**
17. **Betreiben Sie das Werkzeug nicht ohne Befestigungselemente.** Dadurch wird die Nutzungsdauer des Werkzeugs verkürzt.
18. **Brechen Sie Eintreibarbeiten sofort ab, wenn Sie einen Defekt oder etwas Ungewöhnliches am Werkzeug feststellen.**
19. **Treiben Sie Befestigungselemente niemals in Materialien ein, die das Befestigungselement punktieren und wie ein Geschoss durchbohren kann.**
20. **Betätigen Sie den Auslöseschalter und das Kontaktelement niemals gleichzeitig, bevor Sie bereit sind, Werkstücke zu befestigen.** Lassen Sie das Kontaktelement sich vom Werkstück niederdrücken. Heben Sie den Zweck des Kontaktelements keinesfalls durch Zurückhalten oder Niederdrücken von Hand auf.
21. **Nehmen Sie keine unerlaubten Eingriffe am Kontaktelement vor.** Überprüfen Sie das Kontaktelement häufig auf ordnungsgemäßen Betrieb.
22. **Entfernen Sie stets die Befestigungselemente vom Werkzeug, wenn es nicht benutzt wird.**

DIESE ANWEISUNGEN AUFBEWAHREN.

⚠️WARNUNG: Lassen Sie sich NICHT durch Bequemlichkeit oder Vertrautheit mit dem Produkt (durch wiederholten Gebrauch erworben) von der strikten Einhaltung der Sicherheitsregeln für das vorliegende Produkt abhalten. **MISSBRAUCH** oder Missachtung der Sicherheitsvorschriften in dieser Anleitung können schwere Verletzungen verursachen.

Wichtige Sicherheitsanweisungen für Akku

1. **Lesen Sie vor der Benutzung des Akkus alle Anweisungen und Warnhinweise, die an (1) Ladegerät, (2) Akku und (3) Akkuwerkzeug angebracht sind.**
2. **Unterlassen Sie ein Zerlegen des Akkus.**
3. **Falls die Betriebszeit beträchtlich kürzer geworden ist, stellen Sie den Betrieb sofort ein.** Anderenfalls besteht die Gefahr von Überhitzung, möglichen Verbrennungen und sogar einer Explosion.
4. **Falls Elektrolyt in Ihre Augen gelangt, waschen Sie sie mit sauberem Wasser aus, und begeben Sie sich unverzüglich in ärztliche Behandlung.** Anderenfalls können Sie Ihre Sehkraft verlieren.
5. **Der Akku darf nicht kurzgeschlossen werden:**
 - (1) Die Kontakte dürfen nicht mit leitfähigem Material berührt werden.

(2) Lagern Sie den Akku nicht in einem Behälter zusammen mit anderen Metallgegenständen, wie z. B. Nägel, Münzen usw.

(3) Setzen Sie den Akku weder Wasser noch Regen aus.

Ein Kurzschluss des Akkus verursacht starken Stromfluss, der Überhitzung, mögliche Verbrennungen und einen Defekt zur Folge haben kann.

6. Lagern Sie das Werkzeug und den Akku nicht an Orten, an denen die Temperatur 50 °C erreichen oder überschreiten kann.

7. Versuchen Sie niemals, den Akku zu verbrennen, selbst wenn er stark beschädigt oder vollkommen verbraucht ist. Der Akku kann im Feuer explodieren.

8. Achten Sie darauf, dass der Akku nicht fallen gelassen oder Stößen ausgesetzt wird.

9. Benutzen Sie keine beschädigten Akkus.

10. Die enthaltenen Lithium-Ionen-Akkus unterliegen den Anforderungen der Gefahrgut-Gesetzgebung.

Für kommerzielle Transporte, z. B. durch Dritte oder Spediteure, müssen besondere Anforderungen zu Verpackung und Etikettierung beachtet werden.

Zur Vorbereitung des zu transportierenden Artikels ist eine Beratung durch einen Experten für Gefahrgut erforderlich. Bitte beachten Sie möglicherweise ausführlichere nationale Vorschriften. Überkleben oder verdecken Sie offene Kontakte, und verpacken Sie den Akku so, dass er sich in der Verpackung nicht umher bewegen kann.

11. Befolgen Sie die örtlichen Bestimmungen bezüglich der Entsorgung von Akkus.

DIESE ANWEISUNGEN AUFBEWAHREN.

⚠ VORSICHT: Verwenden Sie nur Original-Makita-Akkus. Die Verwendung von Nicht-Original-Makita-Akkus oder von Akkus, die abgeändert worden sind, kann zum Bersten des Akkus und daraus resultierenden Bränden, Personenschäden und Beschädigung führen. Außerdem wird dadurch die Makita-Garantie für das Makita-Werkzeug und -Ladegerät ungültig.

Hinweise zur Aufrechterhaltung der maximalen Akku-Nutzungsdauer

1. Laden Sie den Akku, bevor er vollkommen erschöpft ist. Schalten Sie das Werkzeug stets aus, und laden Sie den Akku, wenn Sie ein Nachlassen der Werkzeugleistung feststellen.
2. Unterlassen Sie erneutes Laden eines voll aufgeladenen Akkus. Überladen führt zu einer Verkürzung der Nutzungsdauer des Akkus.
3. Laden Sie den Akku bei Raumtemperatur zwischen 10 – 40 °C. Lassen Sie einen heißen Akku abkühlen, bevor Sie ihn laden.
4. Der Akku muss geladen werden, wenn er lange Zeit (länger als sechs Monate) nicht benutzt wird.

FUNKTIONSBESCHREIBUNG

⚠ VORSICHT: Vergewissern Sie sich vor der Durchführung von Einstellungen oder Funktionsprüfungen des Werkzeugs stets, dass das Werkzeug ausgeschaltet und der Akku abgenommen ist.

Anbringen und Abnehmen des Akkus

⚠ VORSICHT: Schalten Sie das Werkzeug stets aus, bevor Sie den Akku anbringen oder abnehmen.

⚠ VORSICHT: Halten Sie das Werkzeug und den Akku beim Anbringen oder Abnehmen des Akkus sicher fest. Wenn Sie das Werkzeug und den Akku nicht sicher festhalten, können sie Ihnen aus der Hand rutschen, was zu einer Beschädigung des Werkzeugs und des Akkus und zu Körperverletzungen führen kann.

► **Abb.1:** 1. Rote Anzeige 2. Knopf 3. Akku

Ziehen Sie den Akku zum Abnehmen vom Werkzeug ab, während Sie den Knopf an der Vorderseite des Akkus verschieben.

Richten Sie zum Anbringen des Akkus dessen Führungsfeder auf die Nut im Gehäuse aus, und schieben Sie den Akku hinein. Schieben Sie ihn vollständig ein, bis er mit einem hörbaren Klicken einrastet. Falls die rote Anzeige an der Oberseite des Knopfes sichtbar ist, ist der Akku nicht vollständig verriegelt.

⚠ VORSICHT: Schieben Sie den Akku stets bis zum Anschlag ein, bis die rote Anzeige nicht mehr sichtbar ist. Anderenfalls kann er aus dem Werkzeug herausfallen und Sie oder umstehende Personen verletzen.

⚠ VORSICHT: Unterlassen Sie Gewaltanwendung beim Anbringen des Akkus. Falls der Akku nicht reibungslos hineingleitet, ist er nicht richtig ausgerichtet.

Werkzeug/Akku-Schutzsystem

Das Werkzeug ist mit einem Werkzeug/Akku-Schutzsystem ausgestattet. Dieses System schaltet die Stromversorgung des Motors automatisch ab, um die Lebensdauer von Werkzeug und Akku zu verlängern. Das Werkzeug bleibt während des Betriebs automatisch stehen, wenn das Werkzeug oder der Akku einer der folgenden Bedingungen unterliegt:

Überlastschutz

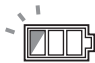
Wird das Werkzeug/der Akku auf eine Weise benutzt, die eine ungewöhnlich hohe Stromaufnahme bewirkt, bleibt das Werkzeug ohne jegliche Anzeige automatisch stehen. Schalten Sie in dieser Situation das Werkzeug aus, und brechen Sie die Arbeit ab, die eine Überlastung des Werkzeugs verursacht hat. Schalten Sie dann das Werkzeug wieder ein, um es neu zu starten.

Überhitzungsschutz

Wenn das Werkzeug/der Akku überhitzt wird, bleibt das Werkzeug automatisch stehen. Lassen Sie das Werkzeug/den Akku in dieser Situation abkühlen, bevor Sie das Werkzeug wieder einschalten.

Überentladungsschutz

Wenn die Akkukapazität nicht ausreicht, bleibt das Werkzeug automatisch stehen, und die Akku-Anzeige zeigt den folgenden Zustand an. Nehmen Sie in diesem Fall den Akku vom Werkzeug ab, und laden Sie ihn auf.


Ein	Aus	Blinkend
		

Anzeigen der Akku-Restkapazität

Nur für Akkus mit Anzeige

► **Abb.2:** 1. Anzeigelampen 2. Prüftaste

Drücken Sie die Prüftaste am Akku, um die Akku-Restkapazität anzuzeigen. Die Anzeigelampen leuchten wenige Sekunden lang auf.

Anzeigelampen			Restkapazität
Erleuchtet	Aus	Blinkend	
■	□	◐	
■ ■ ■ ■	□	□	
■ ■ ■	□	□	75 % bis 100 %
■ ■ ■	□	□	50% bis 75%
■ ■	□	□	25% bis 50%
■	□	□	0% bis 25%
◐	□	□	Den Akku aufladen.
■ ■ □ □	□ □	■ ■	Möglicherweise liegt eine Funktionsstörung im Akku vor.

HINWEIS: Abhängig von den Benutzungsbedingungen und der Umgebungstemperatur kann die Anzeige geringfügig von der tatsächlichen Kapazität abweichen.


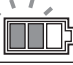


Anzeigen der Akku-Restkapazität

Länderspezifisch

Wenn Sie entweder den Auslöser betätigen oder das Kontaktelement drücken, zeigt die Akku-Anzeige die Akku-Restkapazität an.

► **Abb.3:** 1. Akku-Anzeige

Die Akku-Restkapazität wird gemäß der nachstehenden Tabelle angezeigt.

Status der Akku-Anzeige			Akku-Restkapazität
Ein	Aus	Blinkend	
			50% bis 100%
			20% bis 50%
			0% bis 20%
			Akku aufladen

Auslöserspercknopf

⚠ VORSICHT: Vergewissern Sie sich vor dem Einsetzen des Akkus in das Werkzeug stets, dass der Ein-Aus-Schalter ordnungsgemäß funktioniert und beim Loslassen in die AUS-Stellung zurückkehrt.

⚠ VORSICHT: Wenn Sie das Werkzeug nicht benutzen, drücken Sie den Auslöserspercknopf auf der Seite B hinein, um den Auslöser in der Stellung OFF zu verriegeln.

► **Abb.4:** 1. Auslöserspercknopf 2. Auslöser

► **Abb.5**

Um versehentliche Betätigung des Auslösers zu verhindern, ist das Werkzeug mit einem Auslöserspercknopf ausgestattet.

Um den Auslöser zu betätigen, drücken Sie den Auslöserspercknopf auf der Seite A hinein.

Drücken Sie den Auslöserspercknopf nach der Benutzung stets auf der Seite B hinein.

Einstellen der Stiftnagel-Eintreibtiefe

⚠ WARNUNG: Vergewissern Sie sich immer, dass Ihre Finger nicht auf dem Auslöseschalter oder dem Kontaktelement ruhen, und dass der Akku abgenommen ist, bevor Sie die Nageleintreibtiefe einstellen.

Die Stiftnagel-Eintreibtiefe kann an diesem Pintacker eingestellt werden. Zum Einstellen der Nageleintreibtiefe drehen Sie die Einstellvorrichtung. Die Nageleintreibtiefe ist am größten, wenn die Einstellvorrichtung vollständig in Richtung A gedreht wird, wie in der Abbildung gezeigt. Die Nageleintreibtiefe wird geringer, je weiter die Einstellvorrichtung in Richtung B gedreht wird. Die Tiefe kann von 1,5 mm bis Maximaltiefe eingestellt werden.

► **Abb.6:** 1. Einstellvorrichtung

► **Abb.7:** 1. Zu tief 2. Bündig 3. Zu flach

Einschalten der Lampe

⚠ VORSICHT: Blicken Sie nicht direkt in die Lampe oder die Lichtquelle.

Betätigen Sie den Auslöser oder das Kontaktelement, um die Lampe einzuschalten. Die Lampe bleibt erleuchtet, solange der Auslöser gedrückt oder das Kontaktelement betätigt wird. Die Lampe erlischt ungefähr 10 Sekunden nach dem Loslassen des Auslösers und des Kontaktelements.

► **Abb.8:** 1. Lampe

HINWEIS: Wischen Sie Schmutz auf der Lampenlinse mit einem trockenen Tuch ab. Achten Sie sorgfältig darauf, dass Sie die Lampenlinse nicht verkratzen, weil sich sonst die Lichtstärke verringert.

HINWEIS: Selbst wenn die Lampe bei schwacher Akku-Restleistung aufleuchtet, schießt der Pintacker u. U. keine Stiftnägel ab. Laden Sie in diesem Fall den Akku auf.

MONTAGE

⚠ VORSICHT: Vergewissern Sie sich immer, dass Ihre Finger nicht auf dem Auslöseschalter oder dem Kontaktelement ruhen, und dass der Akku abgenommen ist, bevor Sie irgendwelche Arbeiten am Pintacker ausführen.

Laden des Pintackers

⚠ VORSICHT: Vergewissern Sie sich stets, dass der Akku abgenommen ist, bevor Sie den Pintacker laden. Unbeabsichtigtes Abschießen kann Personenschäden und Sachschäden verursachen.

⚠ VORSICHT: Vermeiden Sie abruptes Verschieben des mit Stiftnägeln gefüllten Magazins des Pintackers. Versehentliches Herunterfallen von Stiftnägeln, besonders beim Arbeiten an hohen Orten, kann Personenschäden verursachen.

⚠ VORSICHT: Laden Sie Stiftnägel in der korrekten Richtung. Laden in der falschen Richtung kann vorzeitige Abnutzung des Treibers und Beschädigung der übrigen Teile verursachen.

⚠ VORSICHT: Verwenden Sie keine verformten verbundenen Stiftnägel. Verwenden Sie nur die in dieser Anleitung angegebenen Stiftnägel. Die Verwendung von anderen Stiftnägeln außer den angegebenen kann Stiftnagelstaus und Bruch des Pintackers verursachen.

1. Nehmen Sie den Akku ab.
2. Drücken Sie den Feststellhebel, und schieben Sie das Magazin nach hinten.

3. Richten Sie die Spitzen der Stiftnägel auf die Nuten am Boden des Magazins aus, und schieben Sie den ganzen Teil der Stiftnägel in Richtung der Treiberführung. (Platzieren Sie die Stiftnägel in der korrekten Richtung.)

► **Abb.9:** 1. Stiftnägel 2. Magazin 3. Feststellhebel 4. Treiberführung

4. Schieben Sie das Magazin nach dem Laden der Stiftnägel hinein, bis es einrastet.

Zum Herausnehmen von Stiftnägeln ist das Montageverfahren umgekehrt anzuwenden.

Mundstückadapter

⚠ VORSICHT: Vergewissern Sie sich immer, dass Ihre Finger nicht auf dem Auslöseschalter oder dem Kontaktelement ruhen, und dass der Akku abgenommen ist, bevor Sie den Mundstückadapter montieren.

Wenn Sie Stiftnägel in Werkstücke mit empfindlicher Oberfläche eintreiben, verwenden Sie den Mundstückadapter. Um den Mundstückadapter zu montieren, setzen Sie ihn auf die Treiberführungsabdeckung, so dass der Vorsprung im Mundstückadapter in der Delle der Treiberführungsabdeckung sitzt.

Bewahren Sie den Mundstückadapter am Halter am hinteren Ende des Magazins auf, damit er nicht verloren geht.

► **Abb.10:** 1. Delle 2. Vorsprung 3. Mundstückadapter 4. Halter

Aufhänger

⚠ VORSICHT: Hängen Sie den Aufhänger nicht in das Koppel ein. Herunterfallen des Pintackers, das durch versehentliches Abrutschen des Aufhängers verursacht wird, kann unbeabsichtigtes Abschießen und daraus resultierende Personenschäden verursachen.

► **Abb.11**

Der Aufhänger ist praktisch, um das Werkzeug vorübergehend aufzuhängen. Dieser kann auf beiden Seiten des Werkzeugs angebracht werden.

Um den Aufhänger anzubringen, führen Sie ihn in die Nut entweder auf der linken oder rechten Seite des Werkzeuggehäuses ein, und sichern Sie ihn dann mit einer Schraube. Um ihn zu entfernen, lösen Sie die Schraube, und nehmen Sie ihn dann heraus.

► **Abb.12:** 1. Nut 2. Aufhänger 3. Schraube

Aufbewahrung des Inbusschlüssels

Der Inbusschlüssel kann an der in der Abbildung gezeigten Stelle aufbewahrt werden, damit er nicht verloren geht.

► **Abb.13:** 1. Inbusschlüssel

BETRIEB

Testen des Sicherheitssystems

⚠️ WARNUNG: Vergewissern Sie sich vor der Benutzung, dass alle Sicherheitssysteme in gutem Betriebszustand sind. Anderenfalls kann es zu Verletzungen kommen.

- **Abb.14:** 1. Auslösersperrenknopf 2. Auslöser
3. Kontaktelement 4. Magazin

Prüfen Sie die Sicherheitssysteme vor dem Betrieb auf mögliche Fehler. Gehen Sie dazu wie folgt vor.

1. Nehmen Sie die Stiftnägel aus dem Werkzeug heraus, und halten Sie das Magazin offen.
2. Setzen Sie den Akku ein, und geben Sie die Auslösersperre frei.
3. Betätigen Sie nur den Auslöser, ohne das Kontaktelement gegen das Material zu halten.
4. Halten Sie nur das Kontaktelement gegen das Material, ohne den Auslöser zu betätigen.

Falls das Werkzeug in den obigen Fällen 3 und 4 betätigt wird, sind die Sicherheitssysteme defekt. Brechen Sie sofort die Benutzung des Werkzeugs ab, und wenden Sie sich an Ihr örtliches Kundenzentrum.

Eintreiben von Stiftnägeln

⚠️ WARNUNG: Halten Sie das Kontaktelement fest gegen das Material gedrückt, bis der Stiftnagel vollständig eingetrieben ist. Unbeabsichtigtes Abschießen kann Personenschäden verursachen.

1. Lassen Sie die Auslösersperre los.
 2. Setzen Sie das Kontaktelement flach auf das Material.
 3. Betätigen Sie den Auslöseschalter vollständig, um einen Stiftnagel einzutreiben.
 4. Um den nächsten Stiftnagel einzutreiben, nehmen Sie Ihren Finger kurz vom Auslöseschalter, und wiederholen Sie dann die obigen Schritte 2 und 3.
- **Abb.15:** 1. Auslöseschalter 2. Kontaktelement

Sie können die Stiftnägel auch eintreiben, wenn Sie das Werkzeug zum nächsten Bereich ziehen, während Sie das Kontaktelement gegen das Material gedrückt halten und den Auslöseschalter betätigen.

- **Abb.16**

Wenn der Kopf des Stiftnagels oberhalb der Werkstückoberfläche bleibt, halten Sie den Pintackerkopf beim Eintreiben des Stiftnagels fest gegen das Werkstück gedrückt.

- **Abb.17**

HINWEIS: Wenn der Kopf des Stiftnagels noch immer oberhalb der Werkstückoberfläche bleibt, obwohl Sie den Pintackerkopf gedrückt halten, ist das Material möglicherweise nicht für den Pintacker geeignet. Fortgesetzter Gebrauch des Pintackers auf solchem Material kann zu einer Beschädigung des Pintackertreibers und/oder Klemmen des Pintackers führen.

Leerschuss-Sicherungsmechanismus

⚠️ WARNUNG: Vergewissern Sie sich immer, dass Ihre Finger nicht auf dem Auslöseschalter oder dem Kontaktelement ruhen, und dass der Akku abgenommen ist, bevor Sie den Pintacker laden.

Wenn die Zahl der verbleibenden Stiftnägel im Magazin 0 - 3 Stück erreicht, kann der Auslöseschalter nicht mehr betätigt werden. Legen Sie zu diesem Zeitpunkt einen neuen Stiftnagelstreifen in das Magazin ein, damit der Auslöseschalter wieder betätigt werden kann.

HINWEIS: Wenn Sie kurz nach der Betätigung des Leerschuss-Sicherungsmechanismus Stiftnägel von anderer Länge abschießen wollen, legen Sie einen neuen Stiftnagelstreifen in das Magazin ein, und schießen Sie alle noch verbleibenden vorherigen Stiftnägel auf Ausschussmaterial ab.

Überprüfen des Stiftnagelvorrats

Sie können den Stiftnagelvorrat durch das Sichtfenster überprüfen.

Je weiter sich der rote Anzeiger auf die Abschussöffnung zu bewegt, desto kleiner wird der Stiftnagelvorrat.

- **Abb.18:** 1. Sichtfenster 2. Anzeiger

Entfernen von gestauten Stiftnägeln

⚠️ WARNUNG: Vergewissern Sie sich stets, dass der Akku abgenommen ist, bevor Sie gestaute Stiftnägel entfernen.

Nehmen Sie im Magazin verbleibende Stiftnägel heraus.

Entfernen Sie mit dem Inbusschlüssel drei Schrauben, mit denen die Treiberführungsabdeckung befestigt ist. Nehmen Sie die gestauten Nägel aus der nun sichtbaren Nagelführungsnut heraus.

Falls es schwierig ist, die gestauten Nägel herauszunehmen, entfernen Sie mit dem Inbusschlüssel zwei weitere Schrauben, mit denen die Kontaktdeckplatte befestigt ist. Nehmen Sie dann die Nägel heraus.

- **Abb.19:** 1. Treiberführungsabdeckung 2. Schraube
3. Kontaktdeckplatte

WARTUNG

⚠ VORSICHT: Vergewissern Sie sich vor der Durchführung von Inspektions- oder Wartungsarbeiten stets, dass das Werkzeug ausgeschaltet und der Akku abgenommen ist.

ANMERKUNG: Verwenden Sie auf keinen Fall Benzin, Waschbenzin, Verdünner, Alkohol oder dergleichen. Solche Mittel können Verfärbung, Verformung oder Rissbildung verursachen.

Um die SICHERHEIT und ZUVERLÄSSIGKEIT dieses Produkts zu gewährleisten, sollten Reparaturen und andere Wartungs- oder Einstellarbeiten nur von Makita-Vertragswerkstätten oder Makita-Kundendienstzentren unter ausschließlicher Verwendung von Makita-Originalersatzteilen ausgeführt werden.

SONDERZUBEHÖR

⚠ VORSICHT: Die folgenden Zubehörteile oder Vorrichtungen werden für den Einsatz mit dem in dieser Anleitung beschriebenen Makita-Werkzeug empfohlen. Die Verwendung anderer Zubehörteile oder Vorrichtungen kann eine Verletzungsgefahr darstellen. Verwenden Sie Zubehörteile oder Vorrichtungen nur für ihren vorgesehenen Zweck.

Wenn Sie weitere Einzelheiten bezüglich dieser Zubehörteile benötigen, wenden Sie sich bitte an Ihre Makita-Kundendienststelle.

- Stiftnägeln
- Original-Makita-Akku und -Ladegerät
- Schutzbrille

HINWEIS: Manche Teile in der Liste können als Standardzubehör im Werkzeugsatz enthalten sein. Sie können von Land zu Land unterschiedlich sein.

DATI TECNICI

Modello:	DPT353	
Dimensione dei chiodi a spillo	ø0,6 mm x 15, 18, 25, 30, 35 mm	
Capacità del caricatore dei chiodi a spillo	100 pezzi	
Dimensioni senza gancio (L x P x A)	257 mm x 79 mm x 226 mm	
Tensione nominale	18 V CC	
Cartuccia della batteria	BL 1815, BL 1815N, BL 1820, BL 1820B	BL 1830, BL 1830B, BL 1840, BL 1840B, BL 1850, BL 1850B, BL 1860B
Peso netto	2,0 kg	2,2 kg

- A causa del nostro programma continuativo di ricerca e sviluppo, i dati tecnici sono soggetti a modifiche senza preavviso.
- I dati tecnici e la cartuccia della batteria potrebbero differire da nazione a nazione.
- Peso, con cartuccia della batteria, secondo la Procedura EPTA 01/2003

Utilizzo previsto

L'utensile è destinato all'applicazione di chiodi a spillo su materiali da costruzione come il legname.

Rumore

Livello tipico di rumore pesato A determinato in base allo standard EN60745:

Livello di pressione sonora (L_{pA}) : 76 dB (A)

Incertezza (K): 3 dB (A)

Il livello del rumore nelle condizioni di lavoro può superare gli 80 dB (A).

⚠AVVERTIMENTO: Indossare protezioni per le orecchie.

Vibrazioni

Valore complessivo delle vibrazioni stabilito in base al EN60745:

Emissione di vibrazioni (a_h) : 2,5 m/s² o inferiore

Incertezza (K): 1,5 m/s²

NOTA: Il valore di emissione delle vibrazioni dichiarato è stato misurato in conformità al metodo standard di verifica, e può essere utilizzato per confrontare un utensile con un altro.

NOTA: Il valore di emissione delle vibrazioni dichiarato può venire utilizzato anche per una valutazione preliminare dell'esposizione.

⚠AVVERTIMENTO: L'emissione delle vibrazioni durante l'utilizzo effettivo dell'utensile elettrico può variare rispetto al valore di emissione dichiarato, a seconda dei modi in cui viene utilizzato l'utensile.

⚠AVVERTIMENTO: Accertarsi di identificare le misure di sicurezza per la protezione dell'operatore basate sulla stima dell'esposizione nelle condizioni effettive di utilizzo (tenendo presente tutte le parti del ciclo operativo, ad esempio le volte in cui l'utensile viene spento e quando gira a vuoto, oltre al tempo di attivazione).

Dichiarazione di conformità CE

Solo per i paesi europei

La dichiarazione di conformità CE è inclusa nell'Allegato A al presente manuale di istruzioni.

AVVERTENZE DI SICUREZZA

Avvertenze generali relative alla sicurezza dell'utensile elettrico

⚠AVVERTIMENTO: Leggere tutte le avvertenze di sicurezza, le istruzioni, le illustrazioni e i dati tecnici forniti con il presente utensile elettrico. La mancata osservanza di tutte le istruzioni elencate di seguito potrebbe risultare in scosse elettriche, incendi e/o gravi lesioni personali.

Conservare tutte le avvertenze e le istruzioni come riferimento futuro.

Il termine "utensile elettrico" nelle avvertenze si riferisce sia all'utensile elettrico (cablato) nel funzionamento alimentato da rete elettrica che all'utensile elettrico (a batteria) nel funzionamento alimentato a batteria.

Avvertenze di sicurezza relative alla chiodatrice a batteria

1. **Presumere sempre che l'utensile contenga elementi di fissaggio.** Una manipolazione incauta della chiodatrice può risultare nello sparo improvviso di elementi di fissaggio e in lesioni personali.
2. **Non puntare l'utensile verso se stessi o altre persone nelle vicinanze.** Un'attivazione improvvisa della graffatrice causa lo sparo di elementi di fissaggio, con conseguenti lesioni personali.

3. **Non attivare l'utensile se non è appoggiato saldamente contro il pezzo in lavorazione.** Qualora l'utensile non sia a contatto con il pezzo in lavorazione, l'elemento di fissaggio potrebbe venire deviato dal punto a cui si mira.
4. **In caso di inceppamenti degli elementi di fissaggio nell'utensile, scollegare quest'ultimo dalla fonte di alimentazione elettrica.** Durante la rimozione di un elemento di fissaggio inceppato, la chiodatrice potrebbe attivarsi accidentalmente, qualora sia collegata all'alimentazione elettrica.
5. **Adottare la massima cautela nella rimozione di elementi di fissaggio inceppati.** Durante un tentativo di liberare una condizione di inceppamento, il meccanismo potrebbe venire sottoposto a compressione, e l'elemento di fissaggio potrebbe venire sparato forzatamente.
6. **Non utilizzare la presente chiodatrice per fissare cavi elettrici.** L'utensile non è destinato all'installazione di cavi elettrici, e potrebbe danneggiare l'isolamento dei cavi, causando di conseguenza il rischio di scosse elettriche o incendi.
7. **Indossare sempre occhiali di sicurezza per proteggere gli occhi da lesioni causate da polveri o elementi di fissaggio.**
⚠AVVERTENZA: È responsabilità del datore di lavoro controllare che venga utilizzata l'attrezzatura di protezione di sicurezza per gli occhi dagli operatori dell'utensile e da altre persone nelle immediate vicinanze dell'area di lavoro.
8. **Tenere le mani e i piedi lontani dall'area dell'apertura di espulsione.**
9. **Seguire le istruzioni per la lubrificazione e la sostituzione degli accessori.**
10. **Rimuovere sempre la cartuccia della batteria prima di caricare gli elementi di fissaggio e di effettuare regolazioni, ispezioni e manutenzione, oppure al termine dell'utilizzo.**
11. **Accertarsi che non siano presenti persone nelle vicinanze prima dell'uso.** Non tentare mai di applicare elementi di fissaggio contemporaneamente sia dall'interno che dall'esterno di una parete. Gli elementi di fissaggio potrebbero trapassare il materiale e/o volare via, costituendo un grave pericolo.
12. **Fare attenzione all'appoggio sui piedi e mantenere l'equilibrio con l'utensile.** Quando si intende lavorare in ubicazioni elevate, accertarsi che non siano presenti persone sotto di sé.
13. **Non utilizzare mai utensili per l'applicazione di elementi di fissaggio che rechino il simbolo "Non utilizzare su impalcature o scale a pioli" per applicazioni specifiche, ad esempio:**
 - quando il passaggio da una posizione di applicazione a un'altra implica l'utilizzo di impalcature, scale, scale a pioli o costruzioni simili alle scale a pioli, ad es. cannucce su tetti;
 - chiusura di scatole o casse;
 - montaggio di sistemi di sicurezza per i trasporti, ad es. su veicoli e carri merci.
14. **Controllare con cura pareti, soffitti, pavimenti, coperture dei tetti e simili, per evitare possibili scosse elettriche, fughe di gas, esplosioni, e così via, causate dall'applicazione di punti metallici su fili elettrici sotto tensione, condutture o tubi del gas.**
15. **Utilizzare esclusivamente gli elementi di fissaggio specificati nel presente manuale.** L'impiego di altri elementi di fissaggio potrebbe causare un malfunzionamento dell'utensile.
16. **Non manomettere l'utensile né tentare di utilizzarlo a scopi diversi dall'applicazione di elementi di fissaggio.**
17. **Non far funzionare l'utensile senza gli elementi di fissaggio.** In caso contrario, si riduce la vita utile dell'utensile.
18. **Arrestare immediatamente l'operazione di applicazione qualora si notino problemi o anomalie con l'utensile.**
19. **Non applicare mai elementi di fissaggio su materiali che potrebbero consentire a un elemento di fissaggio di perforarli e volare via come un proiettile.**
20. **Non attivare mai l'interruttore a grilletto e l'elemento di contatto contemporaneamente fino a quando si è pronti all'applicazione di elementi di fissaggio sui pezzi in lavorazione.** Consentire al pezzo in lavorazione di premere l'elemento di contatto. Non tentare mai di escludere la finalità dell'elemento di contatto fissandolo in posizione rientrata o premendolo con la mano.
21. **Non manomettere mai l'elemento di contatto.** Verificare spesso il funzionamento corretto dell'elemento di contatto.
22. **Rimuovere sempre gli elementi di fissaggio dall'utensile quando quest'ultimo non è in uso.**

CONSERVARE LE PRESENTI ISTRUZIONI.

⚠AVVERTIMENTO: NON lasciare che la comodità o la familiarità d'uso con il prodotto (acquisita con l'uso ripetuto) sostituiscano la stretta osservanza delle norme di sicurezza. L'USO IMPROPRIO o la mancata osservanza delle norme di sicurezza riportate nel presente manuale manuale di istruzioni potrebbero causare lesioni personali gravi.

Istruzioni di sicurezza importanti per la cartuccia della batteria

1. **Prima di utilizzare la cartuccia della batteria, leggere tutte le istruzioni e le avvertenze riportate (1) sul caricabatteria, (2) sulla batteria e (3) sul prodotto che utilizza la batteria.**
2. **Non smontare la cartuccia della batteria.**
3. **Qualora il tempo di utilizzo si riduca eccessivamente, interrompere immediatamente l'utilizzo dell'utensile.** In caso contrario, si può incorrere nel rischio di surriscaldamento, possibili ustioni e persino un'esplosione.
4. **Qualora l'elettrolita entri in contatto con gli occhi, sciacquarli con acqua pulita e richiedere immediatamente assistenza medica.** Questa eventualità può risultare nella perdita della vista.

5. **Non cortocircuitare la cartuccia della batteria:**
 - (1) **Non toccare i terminali con alcun materiale conduttivo.**
 - (2) **Evitare di conservare la cartuccia della batteria in un contenitore insieme ad altri oggetti metallici quali chiodi, monete, e così via.**
 - (3) **Non esporre la cartuccia della batteria all'acqua o alla pioggia.**

Un cortocircuito della batteria può causare un grande flusso di corrente, un surriscaldamento, possibili ustioni e persino un guasto.

6. **Non conservare l'utensile e la cartuccia della batteria in ubicazioni in cui la temperatura possa raggiungere o superare i 50°C.**
7. **Non incenerire la cartuccia della batteria anche qualora sia gravemente danneggiata o completamente esaurita. La cartuccia della batteria può esplodere se a contatto con il fuoco.**
8. **Fare attenzione a non far cadere e a non colpire la batteria.**
9. **Non utilizzare una batteria danneggiata.**
10. **Le batterie a ioni di litio contenute sono soggette ai requisiti del regolamento sul trasporto di merci pericolose (Dangerous Goods Legislation).** Per trasporti commerciali, ad esempio da parte di terzi o spedizionieri, è necessario osservare dei requisiti speciali sull'imballaggio e sull'etichetta. Per la preparazione dell'articolo da spedire, è richiesta la consulenza di un esperto in materiali pericolosi. Attenersi anche alle normative nazionali, che potrebbero essere più dettagliate. Nastrare o coprire i contatti aperti e imballare la batteria in modo tale che non si possa muovere liberamente all'interno dell'imballaggio.
11. **Attenersi alle normative locali relative allo smaltimento della batteria.**

CONSERVARE LE PRESENTI ISTRUZIONI.

ATTENZIONE: Utilizzare solo batterie originali Makita. L'utilizzo di batterie Makita non originali, o di batterie che siano state alterate, potrebbe risultare nello scoppio della batteria, causando incendi, lesioni personali e danni. Inoltre, ciò potrebbe invalidare la garanzia Makita per l'utensile e il caricabatterie Makita.

Suggerimenti per preservare la durata massima della batteria

1. **Caricare la cartuccia della batteria prima che si scarichi completamente. Smettere sempre di utilizzare l'utensile e caricare la cartuccia della batteria quando si nota che la potenza dell'utensile è diminuita.**
2. **Non ricaricare mai una cartuccia della batteria completamente carica. La sovraccarica riduce la vita utile della batteria.**
3. **Caricare la cartuccia della batteria a una temperatura ambiente compresa tra 10°C e 40°C. Lasciar raffreddare una cartuccia della batteria prima di caricarla.**
4. **Caricare la cartuccia della batteria se non la si è utilizzata per un periodo di tempo prolungato (più di sei mesi).**

DESCRIZIONE DELLE FUNZIONI

ATTENZIONE: Accertarsi sempre che l'utensile sia spento e che la cartuccia della batteria sia stata rimossa prima di regolare o di controllare il funzionamento dell'utensile.

Installazione o rimozione della cartuccia della batteria

ATTENZIONE: Spegnerne sempre l'utensile prima di installare o rimuovere la cartuccia della batteria.

ATTENZIONE: Mantenere saldamente lo strumento e la batteria quando si intende installare o rimuovere la cartuccia della batteria. Qualora non si mantengano saldamente lo strumento e la cartuccia della batteria, questi ultimi potrebbero scivolare dalle mani, con la possibilità di causare un danneggiamento dello strumento e della cartuccia della batteria, nonché una lesione personale.

► Fig.1: 1. Indicatore rosso 2. Pulsante 3. Cartuccia della batteria

Per rimuovere la cartuccia della batteria, farla scorrere via dall'utensile mentre si fa scorrere allo stesso tempo il pulsante sulla parte anteriore della cartuccia.

Per installare la cartuccia della batteria, allineare l'appendice della batteria con la scanalatura nell'alloggiamento e farla scivolare in sede. Inserirli completamente fino al suo blocco in sede con un leggero scatto. Se è possibile vedere l'indicatore rosso sul lato superiore del pulsante, la batteria non è bloccata completamente.

ATTENZIONE: Installare sempre fino in fondo la cartuccia della batteria, fino a quando l'indicatore rosso non è più visibile. In caso contrario, la batteria potrebbe cadere accidentalmente dall'utensile, causando lesioni personali all'operatore o a chi gli è vicino.

ATTENZIONE: Non installare forzatamente la cartuccia della batteria. Qualora la batteria non si inserisca scorrendo agevolmente, vuol dire che non viene inserita correttamente.

Sistema di protezione strumento/batteria

L'utensile è dotato di un sistema di protezione dell'utensile stesso e della batteria. Tale sistema interrompe automaticamente l'alimentazione al motore per prolungare la vita utile dell'utensile e della batteria. L'utensile si arresta automaticamente durante il funzionamento, qualora l'utensile o la batteria vengano a trovarsi in una delle condizioni seguenti:

Protezione dal sovraccarico

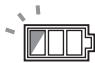
Quando l'utensile o la batteria vengono utilizzati in modo tale da causare un assorbimento di corrente elevato in modo anomalo, l'utensile si arresta automaticamente senza alcuna indicazione. In tale situazione, spegnere l'utensile e interrompere l'applicazione che ha causato il sovraccarico dell'utensile. Quindi, accendere l'utensile per ricominciare.

Protezione dal surriscaldamento

Quando l'utensile o la batteria sono surriscaldati, l'utensile si arresta automaticamente. In questa situazione, lasciar raffreddare l'utensile o la batteria prima di riaccendere l'utensile.

Protezione dalla sovrascarica

Quando la carica della batteria non è sufficiente, l'utensile si arresta automaticamente e l'indicatore della batteria mostra lo stato seguente. In questo caso, rimuovere la batteria dall'utensile e ricaricarla.

Acceso	Spento	Lampeggiante
		

Indicazione della carica residua della batteria

Solo per cartucce delle batterie dotate di indicatore

► Fig.2: 1. Indicatori luminosi 2. Pulsante di controllo

Premere il pulsante di controllo sulla cartuccia della batteria per indicare la carica residua della batteria. Gli indicatori luminosi si illuminano per alcuni secondi.

Indicatori luminosi			Carica residua
Illuminato	Spento	Lampeggiante	
■	□	◐	Dal 75% al 100%
■ ■ ■ ■			
■	□	◐	Dal 50% al 75%
■ ■ ■ □			
■	□	◐	Dal 25% al 50%
■ ■ □ □			
■	□	◐	Dallo 0% al 25%
■ □ □ □			
◐	□	□	Caricare la batteria.
◐ □ □ □			
■ ■ □ □	↑ ↓	□ □	La batteria potrebbe essersi guastata.
□ □ ■ ■			

NOTA: A seconda delle condizioni d'uso e della temperatura ambiente, l'indicazione potrebbe variare leggermente rispetto alla carica effettiva.



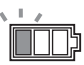

Indicazione della carica residua della batteria

Specifica in base alla nazione

Quando si preme l'interruttore a grilletto o si spinge l'elemento di contatto, l'indicatore della batteria mostra la carica residua della batteria.

► Fig.3: 1. Indicatore della batteria

La carica residua della batteria viene indicata come mostrato nella tabella seguente.

Stato dell'indicatore della batteria			Carica residua della batteria
Acceso	Spento	Lampeggiante	
			Dal 50% al 100%
			Dal 20% al 50%
			Dallo 0% al 20%
			Caricare la batteria

Pulsante di blocco del grilletto

ATTENZIONE: Prima di inserire la cartuccia della batteria nell'utensile, controllare sempre che l'interruttore a grilletto funzioni correttamente e torni sulla posizione "OFF" quando viene rilasciato.

ATTENZIONE: Quando non si utilizza l'utensile, premere il pulsante di blocco del grilletto dal lato B per bloccare l'interruttore a grilletto nella posizione di spegnimento.

► Fig.4: 1. Pulsante di blocco del grilletto
2. Interruttore a grilletto

► Fig.5

Per evitare di premere accidentalmente l'interruttore a grilletto, è fornito il pulsante di blocco del grilletto. Per premere l'interruttore a grilletto, premere il pulsante di blocco del grilletto dal lato A. Dopo l'uso, premere sempre il pulsante di blocco del grilletto dal lato B.

Regolazione della profondità di chiodatura con chiodi a spillo

AVVERTIMENTO: Accertarsi sempre che le dita non siano posizionate sull'interruttore a grilletto o sull'elemento di contatto e che la cartuccia della batteria sia rimossa, prima di regolare la profondità di chiodatura.

Con questa chiodatrice per chiodi a spillo è possibile regolare la profondità di chiodatura con i chiodi a spillo. Per regolare la profondità di chiodatura, ruotare il regolatore. La profondità di chiodatura è quella massima quando il regolatore viene ruotato completamente nella direzione A mostrata nella figura. La profondità si riduce man mano che il regolatore viene ruotato nella direzione B. È possibile regolare la profondità di 1,5 mm al massimo.

► Fig.6: 1. Regolatore

► Fig.7: 1. Troppo profondo 2. A filo 3. Troppo in superficie

Illuminazione della lampada

ATTENZIONE: Non osservare né guardare direttamente la fonte di luce.

Per accendere la lampada, premere l'interruttore a grilletto o azionare l'elemento di contatto. La lampada resta illuminata mentre si tiene premuto l'interruttore a grilletto o si aziona l'elemento di contatto. La lampada si spegne circa 10 secondi dopo aver rilasciato l'interruttore a grilletto e l'elemento di contatto.

► **Fig.8:** 1. Lampadina

NOTA: Per pulire la sporcizia dalla lente della lampadina, utilizzare un panno asciutto. Fare attenzione a non graffiare la lente della lampadina, altrimenti si potrebbe ridurre l'illuminazione.

NOTA: Anche se la lampada si illumina quando la carica residua della batteria si riduce, la chiodatrice potrebbe non sparare i chiodi a spillo. In questo caso, caricare la cartuccia della batteria.

MONTAGGIO

ATTENZIONE: Accertarsi sempre che le dita non siano posizionate sull'interruttore a grilletto o sull'elemento di contatto e che la cartuccia della batteria sia rimossa, prima di eseguire qualsiasi lavoro sulla chiodatrice per chiodi a spillo.

Caricamento della chiodatrice per chiodi a spillo

ATTENZIONE: Accertarsi sempre che la cartuccia della batteria sia stata rimossa prima di caricare la chiodatrice per chiodi a spillo. Lo sparo accidentale può causare lesioni personali e danni alle cose.

ATTENZIONE: Non far scorrere di colpo il caricatore della chiodatrice per chiodi a spillo caricato con questi ultimi. La caduta accidentale di chiodi a spillo, specialmente quando si lavora in ubicazioni elevate, potrebbe causare lesioni personali.

ATTENZIONE: Caricare i chiodi a spillo nella direzione corretta. Il caricamento nella direzione errata potrebbe causare un'usura prematura del propulsore e il danneggiamento delle altre parti.

ATTENZIONE: Non utilizzare chiodi a spillo collegati deformati. Utilizzare esclusivamente i chiodi a spillo specificati nel presente manuale. L'utilizzo di chiodi a spillo diversi da quelli specificati potrebbe causare l'inceppamento dei chiodi a spillo e la rottura della chiodatrice per chiodi a spillo.

1. Rimuovere la cartuccia della batteria.
2. Premere la leva di blocco e far scorrere all'indietro il caricatore.
3. Allineare la punta dei chiodi a spillo con le scanalature nella parte inferiore del caricatore e spingere l'intera parte dei chiodi a spillo verso la guida del propulsore. (fare attenzione a posizionare i chiodi a spillo nella direzione corretta).

► **Fig.9:** 1. Chiodi a spillo 2. Caricatore 3. Leva di blocco 4. Guida del propulsore

4. Dopo aver caricato i chiodi a spillo, spingere all'indietro il caricatore fino a farlo innestare in sede con uno scatto.

Per rimuovere i chiodi a spillo, seguire le procedure di installazione al contrario.

Adattatore della punta

ATTENZIONE: Accertarsi sempre che le dita non siano posizionate sull'interruttore a grilletto o sull'elemento di contatto e che la cartuccia della batteria sia rimossa, prima di installare l'adattatore della punta.

Quando si intende sparare chiodi a spillo su materiali con superfici che si rovinano facilmente, utilizzare l'adattatore della punta. Per installare l'adattatore della punta, posizionarlo sulla copertura della guida del propulsore, in modo che la sporgenza all'interno dell'adattatore della punta entri nella tacca presente sulla copertura della guida del propulsore. È possibile conservare l'adattatore della punta sul supporto all'estremità posteriore del caricatore, per evitare che si perda.

► **Fig.10:** 1. Tacca 2. Sporgenza 3. Adattatore della punta 4. Supporto

Gancio

ATTENZIONE: Non appendere il gancio alla cintura. La caduta della chiodatrice per chiodi a spillo, causata dalla fuoriuscita accidentale del gancio dalla sua sede, potrebbe causare lo sparo accidentale e risultare in lesioni personali.

► **Fig.11**

Il gancio è comodo per appendere temporaneamente l'utensile. Questo gancio può venire installato da entrambi i lati dell'utensile. Per installare il gancio, inserirlo in una delle scanalature presenti su entrambi i lati dell'alloggiamento dell'utensile, quindi fissarlo con una vite. Per rimuoverlo, allentare la vite ed estrarlo.

► **Fig.12:** 1. Scanalatura 2. Gancio 3. Vite

Conservazione della brugola

Conservare la brugola quando non è in uso, come indicato nella figura, per evitare che si perda.

► **Fig.13:** 1. Brugola

FUNZIONAMENTO

Verifica del sistema di sicurezza

AVVERTIMENTO: Accertarsi che tutti i sistemi di sicurezza funzionino correttamente, prima dell'uso. In caso contrario, si potrebbero causare lesioni personali.

► **Fig.14:** 1. Pulsante di blocco del grilletto 2. Interruttore a grilletto 3. Elemento di contatto 4. Caricatore

Verificare l'eventuale presenza di guasti dei sistemi di sicurezza prima dell'uso, nel modo seguente.

1. Scaricare i chiodi a spillo dall'utensile e mantenere aperto il caricatore.
2. Installare la cartuccia della batteria e rilasciare il blocco del grilletto.
3. Premere solo l'interruttore a grilletto, senza far toccare il materiale all'elemento di contatto.
4. Fare solo toccare il materiale all'elemento di contatto, senza premere l'interruttore a grilletto.

Qualora l'utensile entri in funzione nei casi 3 e 4 indicati sopra, i sistemi di sicurezza sono guasti. Arrestare immediatamente l'utilizzo dell'utensile e rivolgersi al proprio centro di assistenza locale.

Applicazione dei chiodi a spillo

⚠AVVERTIMENTO: Continuare a tenere l'elemento di contatto saldamente sul materiale fino a quando il chiodo a spillo è stato applicato completamente. Lo sparo accidentale potrebbe causare lesioni personali.

1. Rilasciare il blocco del grilletto.
2. Appoggiare l'elemento di contatto di piatto sul materiale.
3. Premere a fondo l'interruttore a grilletto per applicare un chiodo a spillo.
4. Per applicare il chiodo a spillo successivo, rimuovere il dito una volta dall'interruttore a grilletto, quindi ripetere i punti 2 e 3 indicati sopra.

► **Fig.15:** 1. Interruttore a grilletto 2. Elemento di contatto

È anche possibile applicare i chiodi a spillo quando si trascina l'utensile all'area successiva con l'elemento di contatto premuto contro il materiale e tenendo premuto l'interruttore grilletto.

► **Fig.16**

Qualora la testa del chiodo a spillo resti al di sopra della superficie del pezzo in lavorazione, applicare il chiodo a spillo tenendo ferma saldamente la testa della chiodatrice per chiodi a spillo contro il pezzo in lavorazione.

► **Fig.17**

NOTA: Qualora la testa del chiodo a spillo continui a restare al di sopra del pezzo in lavorazione, anche se si tiene ferma la testa della chiodatrice per chiodi a spillo, il materiale potrebbe non essere idoneo per la chiodatrice per chiodi a spillo. Qualora si continui a utilizzare la chiodatrice per chiodi a spillo su un materiale di questo tipo, si potrebbero causare danni al propulsore della chiodatrice per chiodi a spillo e/o inceppamenti di quest'ultima.

Meccanismo di prevenzione dello sparo a vuoto

⚠AVVERTIMENTO: Accertarsi sempre che le dita non siano posizionate sull'interruttore a grilletto o sull'elemento di contatto e che la cartuccia della batteria sia rimossa, prima di caricare la chiodatrice per chiodi a spillo.

Quando il numero di chiodi a spillo restanti nel caricatore si riduce a 0 - 3 pezzi, non è più possibile premere l'interruttore a grilletto. A questo punto, inserire una nuova striscia di chiodi a spillo nel caricatore, e sarà possibile di nuovo premere l'interruttore a grilletto.

NOTA: Quando si intende sparare chiodi a spillo di lunghezza diversa subito dopo che si è attivato il dispositivo di prevenzione dello sparo a vuoto, inserire una nuova striscia di chiodi a spillo nel caricatore e sparare via su materiale di scarto tutti i chiodi a spillo precedenti restanti.

Controllo dei chiodi a spillo restanti

È possibile controllare la quantità di chiodi a spillo restanti attraverso la finestrella di controllo.

L'indicatore rosso si sposta verso l'apertura di fissaggio, man mano che la quantità di chiodi a spillo restanti si riduce.

► **Fig.18:** 1. Finestrella di controllo 2. Indicatore

Rimozione dei chiodi a spillo inceppati

⚠AVVERTIMENTO: Accertarsi sempre che la cartuccia della batteria sia stata rimossa prima di rimuovere chiodi a spillo inceppati.

Estrarre i chiodi a spillo restanti all'interno del caricatore. Rimuovere con la brugola le tre viti che fissano la copertura della guida del propulsore.

Estrarre i chiodi inceppati dalla scanalatura della guida dei chiodi che ora è visibile.

Quando risulta difficile estrarre i chiodi inceppati, rimuovere con la brugola anche le due viti che fissano la copertura superiore di contatto. Quindi, estrarre i chiodi.

► **Fig.19:** 1. Copertura della guida del propulsore
2. Vite 3. Copertura superiore di contatto

MANUTENZIONE

⚠ATTENZIONE: Accertarsi sempre che l'utensile sia spento e che la cartuccia della batteria sia stata rimossa prima di tentare di eseguire interventi di ispezione o manutenzione.

AVVISO: Non utilizzare mai benzina, benzene, solventi, alcol o altre sostanze simili. In caso contrario, si potrebbero causare scolorimenti, deformazioni o crepe.

Per preservare la SICUREZZA e l'AFFIDABILITÀ del prodotto, le riparazioni e qualsiasi altro intervento di manutenzione e di regolazione devono essere eseguiti da un centro di assistenza autorizzato Makita, utilizzando sempre ricambi Makita.

ACCESSORI OPZIONALI

⚠ATTENZIONE: Questi accessori o componenti aggiuntivi sono consigliati per l'uso con l'utensile Makita specificato nel presente manuale. L'impiego di altri accessori o componenti aggiuntivi può costituire un rischio di lesioni alle persone. Utilizzare gli accessori o i componenti aggiuntivi solo per il loro scopo prefissato.

Per ottenere ulteriori dettagli relativamente a questi accessori, rivolgersi a un centro di assistenza Makita.

- Chiodi a spillo
- Batteria e caricatterie originali Makita
- Occhiali di sicurezza

NOTA: Alcuni articoli nell'elenco potrebbero essere inclusi nell'imballaggio dell'utensile come accessori standard. Tali articoli potrebbero variare da nazione a nazione.

TECHNISCHE GEGEVENS

Model:	DPT353	
Maat van nagels	ø0,6 mm x 15, 18, 25, 30, 35 mm	
Capaciteit nagelmagazijn	100 stuks	
Afmetingen zonder haak (L x B x H)	257 mm x 79 mm x 226 mm	
Nominale spanning	18 V gelijkspanning	
Accu	BL 1815, BL 1815N, BL 1820, BL 1820B	BL 1830, BL 1830B, BL 1840, BL 1840B, BL 1850, BL 1850B, BL 1860B
Nettogewicht	2,0 kg	2,2 kg

- In verband met ononderbroken research en ontwikkeling, behouden wij ons het recht voor de bovenstaande technische gegevens zonder voorafgaande kennisgeving te wijzigen.
- De technische gegevens van de accu kunnen van land tot land verschillen.
- Gewicht, inclusief accu, volgens de EPTA-procedure 01/2003

Gebruiksdoeleinden

Het gereedschap is bedoeld voor het schieten van nagels in bouwmaterialen, zoals hout.

Geluidsniveau

De typische, A-gewogen geluidsniveaus zijn gemeten volgens EN60745:

Geluidsdrukniveau (L_{pA}): 76 dB (A)

Onzekerheid (K): 3 dB (A)

Het geluidsniveau kan tijdens gebruik hoger worden dan 80 dB (A).

⚠ WAARSCHUWING: Draag gehoorbescherming.

Trilling

De totale trillingswaarde zoals vastgesteld volgens EN60745:

Trillingsemisatie (a_h): 2,5 m/s² of lager

Onzekerheid (K): 1,5 m/s²

OPMERKING: De opgegeven trillingsemisatie waarde is gemeten volgens de standaardtestmethode en kan worden gebruikt om dit gereedschap te vergelijken met andere gereedschappen.

OPMERKING: De opgegeven trillingsemisatie waarde kan ook worden gebruikt voor een beoordeling vooraf van de blootstelling.

⚠ WAARSCHUWING: De trillingsemisatie tijdens het gebruik van het elektrisch gereedschap in de praktijk kan verschillen van de opgegeven trillingsemisatie waarde afhankelijk van de manier waarop het gereedschap wordt gebruikt.

⚠ WAARSCHUWING: Zorg ervoor dat veiligheidsmaatregelen worden getroffen ter bescherming van de operator die zijn gebaseerd op een schatting van de blootstelling onder praktijkomstandigheden (rekening houdend met alle fasen van de bedrijfscyclus, zoals de tijdsduur gedurende welke het gereedschap is uitgeschakeld en stationair draait, naast de ingeschakelde tijdsduur).

EG-verklaring van conformiteit

Alleen voor Europese landen

De EG-verklaring van conformiteit is bijgevoegd als Bijlage A bij deze gebruiksaanwijzing.

VEILIGHEIDSWAARSCHUWINGEN

Algemene veiligheidswaarschuwingen voor elektrisch gereedschap

⚠ WAARSCHUWING: Lees alle veiligheidswaarschuwingen, aanwijzingen, afbeeldingen en technische gegevens behorend bij dit elektrische gereedschap aandachtig door. Als u niet alle onderstaande aanwijzingen naleeft, kan dat resulteren in brand, elektrische schokken en/of ernstig letsel.

Bewaar alle waarschuwingen en instructies om in de toekomst te kunnen raadplegen.

De term "elektrisch gereedschap" in de veiligheidsvoorschriften duidt op gereedschappen die op stroom van het lichtnet werken (met snoer) of gereedschappen met een accu (snoerloos).

Veiligheidswaarschuwingen voor een accunagelpistool

1. **Ga er altijd van uit dat in het gereedschap bevestigingsmiddelen zitten.** Onzorgvuldig omgaan met het nagelpistool kan resulteren in onverwacht schieten van bevestigingsmiddelen waardoor persoonlijk letsel kan ontstaan.

2. **Richt het gereedschap niet op uzelf of iemand in de buurt.** Door onverwachte bediening zal het bevestigingsmiddel worden geschoten met letsel tot gevolg.
3. **Schakel het gereedschap niet in als dit niet stevig tegen het werkstuk wordt gedrukt.** Als het gereedschap niet het werkstuk raakt, kan het bevestigingsmiddel van het doel afbuigen.
4. **Koppel het gereedschap los van de voeding wanneer het bevestigingsmiddel vastloopt in het gereedschap.** Tijdens het verwijderen van een vastgelopen bevestigingsmiddel, kan het nagelpistool per ongeluk worden geactiveerd als het is aangesloten op de voeding.
5. **Wees voorzichtig bij het verwijderen van een vastgelopen bevestigingsmiddel.** Het mechanisme kan onder druk staan en het vastgelopen bevestigingsmiddel kan met kracht eruit komen terwijl u het probeert vrij te maken.
6. **Gebruik het nagelpistool niet voor het bevestigen van elektriciteitskabels.** Het is niet ontworpen voor de installatie van elektriciteitskabels en kan de isolatie van de elektriciteitskabels beschadigen en hierdoor elektrische schokken of brandgevaar veroorzaken.
7. **Draag altijd een veiligheidsbril om uw ogen te beschermen tegen letsel door stof of bevestigingsmiddelen.**
⚠WAARSCHUWING: Het is de verantwoordelijkheid van de werkgever om ervoor te zorgen dat veiligheidsmiddelen voor oogbescherming gebruikt worden door de gebruikers van het gereedschap en anderen in de onmiddellijke omgeving van de werkplek.
8. **Houd uw handen en voeten uit de buurt van de uitwerpopening.**
9. **Volg de instructies voor het smeren en verwisselen van accessoires.**
10. **Verwijder altijd de accu voordat u nieuwe bevestigingsmiddelen laadt, tijdens afstellen, inspectie, onderhoud of nadat het werk is voltooid.**
11. **Verzeker u ervan alvorens het gereedschap te bedienen dat niemand dichtbij staat.** Probeer nooit tegelijkertijd van binnenuit en van buitenaf bevestigingsmiddelen in een muur te schieten. De bevestigingsmiddelen kunnen er dwars doorheen schieten of afketsen en een groot gevaar opleveren.
12. **Zorg ervoor dat u tijdens het gebruik van het gereedschap stevig staat en uw evenwicht goed bewaart.** Controleer of er zich niemand beneden u bevindt wanneer u op hoge plaatsen gaat werken.
13. **Gebruik nooit elektrisch bevestigingsgereedschap met daarop het symbool “Gebruik het gereedschap niet op een steiger of ladder” bij bepaalde toepassingen, bijvoorbeeld:**
 - als bij het veranderen van een werkplek naar de volgende, gebruik gemaakt wordt van een steiger, trap, ladder of soortgelijke constructies, bijv. daklatten;
 - bij het sluiten van dozen of kratten;
 - bij het monteren van transportbeveiligingssystemen, bijv. op voertuigen en aanhangers.
14. **Controleer muren, plafonds, vloeren en dergelijke grondig om te voorkomen dat door het nieten in elektrische draden, pijpen of gasleidingen een elektrische schok, gaslek, explosie, enz., kan ontstaan.**
15. **Gebruik uitsluitend bevestigingsmiddelen die in deze gebruiksaanwijzing worden aangegeven.** Door een ander soort bevestigingsmiddel te gebruiken, kan een storing in het gereedschap worden veroorzaakt.
16. **Knoei niet aan het gereedschap en gebruik het niet voor een ander doeleinde dan voor het aanbrengen van bevestigingsmiddelen.**
17. **Bedien het gereedschap niet zonder dat er bevestigingsmiddelen in zitten.** De levensduur van het gereedschap zal hierdoor korter worden.
18. **Stop onmiddellijk met bevestigen als u een probleem of iets vreemds opmerkt aan het gereedschap.**
19. **Breng nooit bevestigingsmiddelen aan in materialen die de bevestigingsmiddelen kunnen doorboren en er doorheen kunnen vliegen.**
20. **Bedien nooit op hetzelfde moment de trekker-schakelaar en de contactschoen tot u er klaar voor bent om een bevestigingsmiddel aan te brengen in het werkstuk.** Laat het werkstuk de contactschoen indrukken. Doe de werking van het apparaat niet teniet door de contactschoen vast te zetten of met de hand ingedrukt te houden.
21. **Knoei nooit aan de contactschoen.** Controleer de contactschoen regelmatig op correcte werking.
22. **Haal de bevestigingsmiddelen altijd uit het gereedschap wanneer u het niet gebruikt.**

BEWAAR DEZE VOORSCHRIFTEN.

⚠WAARSCHUWING: Laat u NIET misleiden door een vals gevoel van comfort en bekendheid met het gereedschap (na veelvuldig gebruik) en neem alle veiligheidsvoorschriften van het betreffende gereedschap altijd strikt in acht. **VERKEERD GEBRUIK** of het niet naleven van de veiligheidsvoorschriften in deze gebruiksaanwijzing kan leiden tot ernstig letsel.

Belangrijke veiligheidsinstructies voor een accu

1. Lees alle voorschriften en waarschuwingen op (1) de acculader, (2) de accu, en (3) het product waarvoor de accu wordt gebruikt, alvorens de accu in gebruik te nemen.
2. Neem de accu niet uit elkaar.
3. Als de gebruikstijd van een opgeladen accu aanzienlijk korter is geworden, moet u het gebruik ervan onmiddellijk stopzetten. Voortgezet gebruik kan oververhitting, brandwonden en zelfs een ontploffing veroorzaken.
4. Als elektrolyt in uw ogen is terechtgekomen, spoelt u uw ogen met schoon water en roept u onmiddellijk de hulp van een dokter in. Elektrolyt in de ogen kan blindheid veroorzaken.

5. **Voorkom kortsluiting van de accu:**
 - (1) Raak de accuklemmen nooit aan met een geleidend materiaal.
 - (2) Bewaar de accu niet in een bak waarin andere metalen voorwerpen zoals spijkers, munten e.d. worden bewaard.
 - (3) Stel de accu niet bloot aan water of regen.
6. **Kortsluiting van de accu kan oorzaak zijn van een grote stroomafgifte, oververhitting, brandwonden, en zelfs defecten.**
7. **Bewaar het gereedschap en de accu niet op plaatsen waar de temperatuur kan oplopen tot 50°C of hoger.**
8. **Werp de accu nooit in het vuur, ook niet wanneer hij zwaar beschadigd of volledig versleten is. De accu kan ontploffen in het vuur.**
9. **Wees voorzichtig dat u de accu niet laat vallen en hem niet blootstelt aan schokken of stoten.**
10. **Gebruik nooit een beschadigde accu.**
11. **De bijgeleverde lithium-ionbatterijen zijn onderhevig aan de vereisten in de wetgeving omtrent gevaarlijke stoffen.**

Voor commercieel transport en dergelijke door derden en transporteurs moeten speciale vereisten ten aanzien van verpakking en etikettering worden nageleefd.

Als voorbereiding van het artikel dat wordt getransporteerd is het noodzakelijk een expert op het gebied van gevaarlijke stoffen te raadplegen. Houd u tevens aan mogelijk strengere nationale regelgeving.

Blootliggende contactpunten moeten worden afgedekt met tape en de accu moet zodanig worden verpakt dat deze niet kan bewegen in de verpakking.
11. **Volg bij het weggooien van de accu de plaatselijke voorschriften.**

BEWAAR DEZE INSTRUCTIES.

⚠️ LET OP: Gebruik uitsluitend originele Makita accu's. Het gebruik van niet-originele accu's, of accu's die zijn gewijzigd, kan ertoe leiden dat de accu ontploft en brand, persoonlijk letsel en schade veroorzaakt. Ook vervalt daarmee de garantie van Makita op het gereedschap en de lader van Makita.

Tips voor een maximale levensduur van de accu

1. **Laad de accu op voordat hij volledig ontladen is. Stop het gebruik van het gereedschap en laad de accu op telkens wanneer u vaststelt dat het vermogen van het gereedschap is afgenomen.**
2. **Laad een volledig opgeladen accu nooit opnieuw op. Te lang opladen verkort de levensduur van de accu.**
3. **Laad de accu op bij een omgevingstemperatuur tussen 10°C en 40°C. Laat een warme accu afkoelen alvorens hem op te laden.**
4. **Laad de accu op als u deze gedurende een lange tijd (meer dan zes maanden) niet gaat gebruiken.**

BESCHRIJVING VAN DE FUNCTIES

⚠️ LET OP: Zorg altijd dat het gereedschap is uitgeschakeld en de accu ervan is verwijderd alvorens de functies op het gereedschap af te stellen of te controleren.

De accu aanbrengen en verwijderen

⚠️ LET OP: Schakel het gereedschap altijd uit voordat u de accu aanbrengt of verwijdert.

⚠️ LET OP: Houd het gereedschap en de accu stevig vast tijdens het aanbrengen of verwijderen van de accu. Als u het gereedschap en de accu niet stevig vasthoudt, kunnen deze uit uw handen glijpen en het gereedschap of de accu beschadigen, of kan persoonlijk letsel worden veroorzaakt.

► Fig.1: 1. Rood deel 2. Knop 3. Accu

Om de accu te verwijderen verschuift u de knop aan de voorkant van de accu en schuift u tegelijkertijd de accu uit het gereedschap.

Om de accu aan te brengen lijnt u de lip op de accu uit met de groef in de behuizing en duwt u de accu op zijn plaats. Steek de accu zo ver mogelijk in het gereedschap tot u een klikgeluid hoort. Als u het rode deel aan de bovenkant van de knop kunt zien, is de accu niet goed aangebracht.

⚠️ LET OP: Breng de accu altijd helemaal aan totdat het rode deel niet meer zichtbaar is. Als u dit niet doet, kan de accu per ongeluk uit het gereedschap vallen en u of anderen in uw omgeving verwonden.

⚠️ LET OP: Breng de accu niet met kracht aan. Als de accu niet gemakkelijk in het gereedschap kan worden geschoven, wordt deze niet goed aangebracht.

Gereedschap-/accubeveiligingssysteem

Het gereedschap is voorzien van een gereedschap-/accubeveiligingssysteem. Dit systeem schakelt automatisch de voeding naar de motor uit om de levensduur van het gereedschap en de accu te verlengen. Het gereedschap kan tijdens het gebruik automatisch stoppen als het gereedschap of de accu aan één van de volgende omstandigheden wordt blootgesteld:

Overbelastingsbeveiliging


Wanneer het gereedschap wordt gebruikt op een manier waardoor een abnormaal hoge stroom wordt getrokken, stopt het gereedschap automatisch zonder dat een indicatorlampje gaat branden. Schakel in die situatie het gereedschap uit en stop het gebruik dat ertoe leidde dat het gereedschap overbelast raakte. Schakel daarna het gereedschap in om het weer te starten.





Oververhittingsbeveiliging

Wanneer het gereedschap/de accu oververhit is, stopt het gereedschap automatisch. Laat in deze situatie het gereedschap/de accu afkoelen voordat u het gereedschap weer inschakelt.

Beveiliging tegen te ver ontladen

Als de acculading onvoldoende is, stopt het gereedschap automatisch en toont de accu-indicator de volgende status. In dit het geval verwijdert u de accu vanaf het gereedschap en laadt u de accu op.

Aan	Uit	Knippert
		

Toestand van accu-indicator			Resterende acculading
Aan	Uit	Knippert	
			50% tot 100%
			20% tot 50%
			0% tot 20%
			Laad de accu op.

De resterende acculading controleren

Alleen voor accu's met indicatorlampjes

► Fig.2: 1. Indicatorlampjes 2. Testknop

Druk op de testknop op de accu om de resterende acculading te zien. De indicatorlampjes branden gedurende enkele seconden.

Indicatorlampjes			Resterende acculading
Brandt	Uit	Knippert	
■	□	▤	75% tot 100%
■ ■ ■ ■			
■ ■ ■ □			50% tot 75%
■ ■ □ □			25% tot 50%
■ □ □ □			0% tot 25%
▤ □ □ □			Laad de accu op.
■ ■ □ □	□ □	■ ■	Er kan een storing zijn opgetreden in de accu.
□ □	↑ ↓	■ ■	

OPMERKING: Afhankelijk van de gebruiksomstandigheden en de omgevingstemperatuur, is het mogelijk dat de aangegeven acculading verschilt van de werkelijke acculading.

De resterende acculading controleren

Afhankelijk van het land

Wanneer u de trekkerschakelaar inknijpt of de contactshoof tegen het werkstuk drukt, toont de accu-indicator de resterende acculading.

► Fig.3: 1. Accu-indicatorlampje

De resterende acculading wordt aangegeven in de onderstaande tabel.

Trekkervergrendelknop

⚠ LET OP: Alvorens de accu in het gereedschap te plaatsen, moet u altijd controleren of de trekkerschakelaar goed werkt en bij het loslaten terugkeert naar de stand "OFF".

⚠ LET OP: Wanneer u het gereedschap niet gebruikt, drukt u op de trekkervergrendelknop vanaf de B-kant om de trekkerschakelaar te vergrendelen in de uit-stand.

► Fig.4: 1. Trekkervergrendelknop
2. Trekkerschakelaar

► Fig.5

Om te voorkomen dat de trekkerschakelaar per ongeluk wordt bediend, is de trekkervergrendelknop aangebracht.

Om de trekkerschakelaar te kunnen inknijpen, duwt u tegen de trekkervergrendelknop vanaf kant A. Duw na gebruik altijd tegen de trekkervergrendelknop vanaf kant B.

Afstellen van de nageldiepte

⚠ WAARSCHUWING: Zorg er altijd voor dat uw vingers niet zijn geplaatst op de trekkerschakelaar of de contactshoof en dat de accu is verwijderd voordat u de nageldiepte instelt.

De nageldiepte kan worden afgesteld op dit nagelpistool. Om de nageldiepte af te stellen, draait u de instelknop. De nageldiepte is het grootst wanneer de instelknop zo ver mogelijk in richting A, aangegeven in de afbeelding, is gedraaid. De diepte wordt geringer naarmate de instelknop in richting B wordt gedraaid. De diepte kan worden afgesteld van 1,5 mm tot het maximum.

► Fig.6: 1. Instelknop

► Fig.7: 1. Te diep 2. Vlak 3. Te ondiep

De lamp inschakelen

⚠ LET OP: Kijk niet direct in het lamplicht of in de lichtbron.

Knijp de trekkerschakelaar in of druk de contactschoen tegen het werkstuk om de lamp in te schakelen. De lamp blijft branden zo lang de trekkerschakelaar ingeknepen wordt gehouden of de contactschoen tegen het werkstuk wordt gedrukt. De lamp gaat uit 10 seconden nadat de trekkerschakelaar is losgelaten en de contactschoen van het werkstuk is gehaald.

► **Fig.8:** 1. Lamp

OPMERKING: Gebruik een droge doek om vuil van de lens van de lamp af te vegen. Wees voorzichtig dat u de lens van de lamp niet bekrast omdat dan de verlichting minder wordt.

OPMERKING: Zelfs als de lamp brandt terwijl de resterende acculading gering is, kan het voorkomen dat het nagelpistool geen nagels schiet. Als dat gebeurt, moet u de accu opladen.

MONTAGE

⚠ALLET OP: Zorg er altijd voor dat uw vingers niet zijn geplaatst op de trekkerschakelaar of de contactschoen en dat de accu is verwijderd voordat u enige werkzaamheden aan het nagelpistool gaat uitvoeren.

Het nagelpistool laden

⚠ALLET OP: Zorg er altijd voor dat de accu is verwijderd voordat u het nagelpistool laadt.

Onbedoeld schieten kan resulteren in persoonlijk letsel en beschadiging aan eigendommen.

⚠ALLET OP: Schuif niet abrupt met de schuif van het volgeladen magazijn van het nagelpistool. Als u per ongeluk nagels laat vallen, met name wanneer u op grote hoogte werkt, kan dat leiden tot persoonlijk letsel.

⚠ALLET OP: Laad de nagels in de juiste richting. Door in de verkeerde richting te laden, kan voortijdige slijtage van de stoter en beschadiging van andere onderdelen worden veroorzaakt.

⚠ALLET OP: Gebruik geen misvormde nagels. Gebruik nagels die in deze gebruiksaanwijzing worden aangegeven. Het gebruik van andere nagels dan die zijn aangegeven kan ertoe leiden dat nagels vastlopen en het nagelpistool defect raakt.

1. Verwijder de accu.
 2. Druk op de vergrendelknop en schuif het magazijn naar achteren.
 3. Lijn de punt van de nagels uit met de groeven op de onderkant van het magazijn en duw de hele strip nagels in de richting van de stotergeleider. (Zorg dat u de nagels in de juiste richting plaatst.)
- **Fig.9:** 1. Nagels 2. Magazijn 3. Vergrendelknop 4. Stotergeleider

4. Duw na het laden van nagels het magazijn op zijn plaats tot deze wordt vergrendeld.

Om nagels te verwijderen, volgt u de procedurestappen voor aanbrengen in omgekeerde volgorde.

Neusadapter

⚠ALLET OP: Zorg er altijd voor dat uw vingers niet zijn geplaatst op de trekkerschakelaar of de contactschoen en dat de accu is verwijderd voordat u de neusadapter aanbrengt.

Wanneer u nagels schiet in een materiaal met een snel beschadigd oppervlak, gebruikt u de neusadapter. Om de neusadapter aan te brengen, plaatst u hem over het stotergeleiderdeksel zodat het uitsteeksel binnenin de neusadapter past in de holte in het stotergeleiderdeksel. U kunt de neusadapter op de houder aan de achterkant van het magazijn zodat hij niet kwijtraakt.

- **Fig.10:** 1. Holte 2. Uitsteeksel 3. Neusadapter 4. Houder

Haak

⚠ALLET OP: Hang de haak niet aan uw broekriem. Als u het nagelpistool laat vallen, bijvoorbeeld doordat de haak per ongeluk van zijn plaats losraakt, kunnen nagels worden afgeschoten en persoonlijk letsel worden veroorzaakt.

- **Fig.11**

De haak is handig om het gereedschap tijdelijk op te hangen. Deze kan aan beide kanten van het gereedschap worden aangebracht.

U brengt de haak aan door deze in een groef in de behuizing van het gereedschap te steken en vast te zetten met een schroef. Om de haak te verwijderen, draait u de schroef los en haalt u de haak van het gereedschap af.

- **Fig.12:** 1. Groef 2. Haak 3. Schroef

Opbergplaats voor inbussleutel

Wanneer de inbussleutel niet wordt gebruikt, bergt u hem op zoals aangegeven in de afbeelding zodat u hem niet verliest.

- **Fig.13:** 1. Inbussleutel

BEDIENING

Het veiligheidssysteem testen

⚠WAARSCHUWING: Controleer voor gebruik of alle veiligheidssystemen goed werken. Als u dat niet doet, kan dit leiden tot persoonlijk letsel.

- **Fig.14:** 1. Trekkervergrendelknop 2. Trekkerschakelaar 3. Contactschoen 4. Magazijn

Test vóór gebruik de veiligheidssystemen als volgt op een mogelijke storing.

1. Verwijder alle nagels uit het gereedschap en laat het magazijn open staan.
2. Breng de accu aan en ontgrendel de trekkervergrendeling.
3. Knijp alleen de trekkerschakelaar in zonder de contactschoen tegen het werkstuk te drukken.
4. Druk alleen de contactschoen tegen het werkstuk zonder de trekkerschakelaar in te knijpen.

Als het gereedschap werkt in het geval van 3 of 4 hierboven is het veiligheidssysteem defect. Stop onmiddellijk met het gebruik van het gereedschap en vraag uw plaatselijke servicecentrum het gereedschap te repareren.

Nagels schieten

⚠ WAARSCHUWING: Blijf de contactschoen stevig tegen het materiaal drukken totdat de nagel volledig in het werkstuk verdwijnt. Onbedoeld schieten kan leiden tot persoonlijk letsel.

1. Ontgrendel de trekvergrendeling.
 2. Druk de contactschoen vlak op het materiaal.
 3. Knijp de trekkerschakelaar helemaal in om een nagel te schieten.
 4. Om de volgende nagel te schieten, haalt u eerst uw vinger van de trekkerschakelaar af en herhaalt u de bovenstaande stappen 2 en 3.
- **Fig.15:** 1. Trekkerschakelaar 2. Contactschoen

U kunt ook nagels schieten wanneer u het gereedschap naar de volgende nagelplaats sleept terwijl de contactschoen tegen het materiaal gedrukt blijft, door de trekkerschakelaar in te knijpen.

► **Fig.16**

Als de bovenkant van de nagel boven het oppervlak van het werkstuk blijft uitsteken, schiet u de nagel door de kop van het nagelpistool stevig tegen het werkstuk gedrukt te houden.

► **Fig.17**

OPMERKING: Als de bovenkant van de nagel nog steeds boven het werkstuk blijft uitsteken ondanks dat u de kop van het nagelpistool aangedrukt houdt, is het materiaal mogelijk niet geschikt voor het nagelpistool. Als u het nagelpistool blijft gebruiken op dergelijk materiaal, kan de stoter van het nagelpistool worden beschadigd en/of kunnen nagels vastlopen.

Droogschietpreventiemechanisme

⚠ WAARSCHUWING: Zorg er altijd voor dat uw vingers niet zijn geplaast op de trekkerschakelaar of de contactschoen en dat de accu is verwijderd voordat u het nagelpistool laadt.

Als het aantal overgebleven nagels in het magazijn 0 tot 3 stuks is, kan de trekkerschakelaar niet meer worden ingeknepen. U moet dan een nieuwe strip nagels in het magazijn plaatsen waarna u de trekkerschakelaar weer kunt inknijpen.

OPMERKING: Als u nagels van een andere lengte schiet kort nadat het droogschietpreventiemechanisme heeft gewerkt, plaatst u een nieuwe strip nagels in het magazijn en schiet u alle overgebleven nagels van de eerdere lengte in een stuk afvalhout.

De resterende nagels controleren

U kunt het aantal resterende nagels controleren door het kijkvenster.

De rode indicator beweegt in de richting van de schietmond wanneer het aantal resterende nagels kleiner wordt.

► **Fig.18:** 1. Kijkvenster 2. Indicator

Vastgelopen nagels verwijderen

⚠ WAARSCHUWING: Zorg er altijd voor dat de accu is verwijderd voordat u vastgelopen nagels verwijdert.

Haal de resterende nagels uit het magazijn. Verwijder met behulp van de inbussleutel de drie schroeven waarmee het stotergeleiderdekseel is vastgezet.

Haal de vastgelopen nagels uit de nagelgeleidergroef die nu zichtbaar is.

Als de vastgelopen nagels moeilijk te verwijderen zijn, verwijdert u met behulp van de inbussleutel ook de twee schroeven waarmee het bovendeksel van de contactschoen is vastgezet. Haal ze er beide uit.

► **Fig.19:** 1. Stotergeleiderdekseel 2. Schroef 3. Bovendeksel van de contactschoen

ONDERHOUD

⚠ LET OP: Zorg altijd dat het gereedschap is uitgeschakeld en de accu ervan is verwijderd alvorens te beginnen met onderhoud of inspectie.

KENNISGEVING: Gebruik nooit benzine, wasbenzine, thinner, alcohol en dergelijke. Hierdoor kunnen verkleuring, vervormingen en barsten worden veroorzaakt.

Om de VEILIGHEID en BETROUWBAARHEID van het gereedschap te handhaven, dienen alle reparaties, onderhoud of afstellingen te worden uitgevoerd bij een erkend Makita-servicecentrum of de Makita-fabriek, en altijd met gebruik van Makita-ervangingsonderdelen.

OPTIONELE ACCESSOIRES

⚠ LET OP: Deze accessoires of hulpstukken worden aanbevolen voor gebruik met het Makita gereedschap dat in deze gebruiksaanwijzing is beschreven. Bij gebruik van andere accessoires of hulpstukken bestaat het gevaar van persoonlijke letsel. Gebruik de accessoires of hulpstukken uitsluitend voor hun bestemde doel.

Went u meer bijzonderheden over deze accessoires, neem dan contact op met het plaatselijke Makita-servicecentrum.

- Nagels
- Originele Makita accu's en acculaders
- Veiligheidsbril

OPMERKING: Sommige items op de lijst kunnen zijn inbegrepen in de doos van het gereedschap als standaard toebehoren. Deze kunnen van land tot land verschillen.

ESPECIFICACIONES

Modelo:	DPT353	
Tamaño de clavo	ø0,6 mm x 15, 18, 25, 30, 35 mm	
Capacidad del cargador de clavos	100 unidades	
Dimensiones sin gancho (La x An x Al)	257 mm x 79 mm x 226 mm	
Tensión nominal	18 V CC	
Cartucho de batería	BL 1815, BL 1815N, BL 1820, BL 1820B	BL 1830, BL 1830B, BL 1840, BL 1840B, BL 1850, BL 1850B, BL 1860B
Peso neto	2,0 kg	2,2 kg

- Debido a nuestro continuado programa de investigación y desarrollo, las especificaciones aquí dadas están sujetas a cambios sin previo aviso.
- Las especificaciones y el cartucho de batería pueden diferir de país a país.
- Peso, con cartucho de batería, de acuerdo con el procedimiento EPTA 01/2003

Uso previsto

La herramienta ha sido prevista para clavar clavos en materiales de construcción tales como madera.

Ruido

El nivel de ruido A-ponderado típico determinado de acuerdo con la norma EN60745:

Nivel de presión sonora (L_{pA}) : 76 dB (A)

Error (K) : 3 dB (A)

El nivel de ruido en situación de trabajo puede exceder 80 dB (A).

⚠ ADVERTENCIA: Póngase protectores para oídos.

Vibración

El valor total de la vibración determinado de acuerdo con el EN60745:

Emisión de vibración (a_{hV}) : 2,5 m/s² o menos

Error (K) : 1,5 m/s²

NOTA: El valor de emisión de vibración declarado ha sido medido de acuerdo con el método de prueba estándar y se puede utilizar para comparar una herramienta con otra.

NOTA: El valor de emisión de vibración declarado también se puede utilizar en una valoración preliminar de exposición.

⚠ ADVERTENCIA: La emisión de vibración durante la utilización real de la herramienta eléctrica puede variar del valor de emisión declarado dependiendo de las formas en las que la herramienta sea utilizada.

⚠ ADVERTENCIA: Asegúrese de identificar medidas de seguridad para proteger al operario que estén basadas en una estimación de la exposición en las condiciones reales de utilización (teniendo en cuenta todas las partes del ciclo operativo como las veces cuando la herramienta está apagada y cuando está funcionando en vacío además del tiempo de gatillo).

Declaración CE de conformidad

Para países europeos solamente

La declaración CE de conformidad está incluida como Anexo A de esta manual de instrucciones.

ADVERTENCIAS DE SEGURIDAD

Advertencias de seguridad para herramientas eléctricas en general

⚠ ADVERTENCIA: Lea todas las advertencias de seguridad, instrucciones, ilustraciones y especificaciones provistas con esta herramienta eléctrica. Si no sigue todas las instrucciones indicadas abajo podrá resultar en una descarga eléctrica, un incendio y/o heridas graves.

Guarde todas las advertencias e instrucciones para futuras referencias.

El término "herramienta eléctrica" en las advertencias se refiere a su herramienta eléctrica de funcionamiento con conexión a la red eléctrica (con cable) o herramienta eléctrica de funcionamiento a batería (sin cable).

Advertencias de seguridad para la clavadora inalámbrica

1. **Asuma siempre que la herramienta contiene fijadores.** Un manejo imprudente de la clavadora puede resultar en un disparo inesperado de fijadores y heridas personales.
2. **No apunte la herramienta hacia usted o hacia cualquier persona que esté cerca.** Un apretado inesperado del gatillo descargará el fijador causando heridas.

3. **No accione la herramienta a menos que la tenga puesta firmemente contra la pieza de trabajo.** Si la herramienta no está en contacto con la pieza de trabajo, el fijador podrá desviarse de su objetivo.
4. **Desconecte la herramienta de fuente de alimentación cuando el fijador se atasque en la herramienta.** Mientras retira un fijador atascado, la clavadora podrá activarse accidentalmente si está enchufada.
5. **Tenga cuidado mientras retira un fijador atascado.** El mecanismo podrá estar sometido a compresión y el fijador podrá descargarse a la fuerza mientras intenta despejar una condición de atasco.
6. **No utilice esta clavadora para sujetar cables eléctricos.** No ha sido diseñada para la instalación de cables eléctricos y puede dañar el aislamiento de los cables eléctricos ocasionando una descarga eléctrica o riesgos de incendio.
7. **Póngase siempre gafas de seguridad para proteger sus ojos del polvo o heridas con los fijadores.**
⚠ADVERTENCIA: Es una responsabilidad del patrón implementar el uso de equipo de protección para la seguridad de los ojos por parte de los operarios de la herramienta y otras personas cercanas al área de trabajo.
8. **Mantenga las manos y pies alejados del área del orificio de eyección.**
9. **Siga la instrucción para lubricar y cambiar los accesorios.**
10. **Retire siempre el cartucho de batería antes de cargar los fijadores, hacer ajustes, inspección, mantenimiento o después de terminar la operación.**
11. **Antes de la operación asegúrese de que no haya nadie cerca. No intente nunca clavar los fijadores desde el interior y exterior de la pared al mismo tiempo. Los fijadores podrán atravesarla y/o salir disparados, presentando un grave peligro.**
12. **Observe el suelo donde pisa y mantenga su equilibrio con la herramienta. Asegúrese de que no haya nadie debajo cuando trabaje en lugares altos.**
13. **No utilice herramientas de clavar fijadores que estén marcadas con el símbolo de "No utilizar en andamios, escaleras" para aplicaciones específicas, por ejemplo:**
 - cuando cambiar de un sitio donde está clavando a otro implique la utilización de andamios, escaleras, escaleras de mano, o construcciones como escaleras, por ejemplo, listones de tejado;
 - cerrar cajas o cajones de embalaje;
 - colocar sistemas de seguridad para transporte, por ejemplo, en vehículos o vagones.
14. **Compruebe las paredes, techos, suelos, techumbres y por el estilo con cuidado para evitar posibles descargas eléctricas, fugas de gas, explosiones, etc., ocasionadas por grapar en cables con corriente, conductos o tuberías de gas.**
15. **Utilice solamente los fijadores especificados en este manual. La utilización de otros fijadores podrá ocasionar un mal funcionamiento de la herramienta.**
16. **No manipule la herramienta o intente utilizarla para algo distinto de clavar fijadores.**
17. **No utilice la herramienta sin fijadores. Ello acorta la vida de servicio de la herramienta.**
18. **Detenga inmediatamente las operaciones de clavado si nota algo incorrecto o fuera de lo normal en la herramienta.**
19. **No clave nunca en ningún material que pueda permitir al fijador atravesarlo y salir despedido como un proyectil.**
20. **No accione nunca el gatillo interruptor y el elemento de contacto al mismo tiempo hasta esté preparado para clavar en piezas de trabajo. Permita a la pieza de trabajo presionar el elemento de contacto. No anule nunca su función sujetando hacia atrás el elemento de contacto o presionándolo manualmente.**
21. **No manipule nunca el elemento de contacto. Compruebe el elemento de contacto con frecuencia para ver que funciona debidamente.**
22. **Retire siempre los fijadores de la herramienta cuando no la esté utilizando.**

GUARDE ESTAS INSTRUCCIONES.

⚠ADVERTENCIA: NO deje que la comodidad o familiaridad con el producto (a base de utilizarlo repetidamente) sustituya la estricta observancia de las normas de seguridad para el producto en cuestión. El MAL USO o el no seguir las normas de seguridad establecidas en este manual de instrucciones podrá ocasionar heridas personales graves.

Instrucciones de seguridad importantes para el cartucho de batería

1. Antes de utilizar el cartucho de batería, lea todas las instrucciones e indicaciones de precaución sobre (1) el cargador de baterías, (2) la batería, y (3) el producto con el que se utiliza la batería.
2. No desarme el cartucho de batería.
3. Si el tiempo de uso se acorta demasiado, cese la operación inmediatamente. Podría resultar en un riesgo de recalentamiento, posibles quemaduras e incluso una explosión.
4. Si entra electrólito en sus ojos, aclárelos con agua limpia y acuda a un médico inmediatamente. Existe el riesgo de poder perder la vista.
5. **No cortocircuite el cartucho de batería:**
 - (1) No toque los terminales con ningún material conductor.
 - (2) Evite guardar el cartucho de batería en un cajón junto con otros objetos metálicos, como clavos, monedas, etc.
 - (3) No exponga el cartucho de batería al agua ni a la lluvia.

Un cortocircuito en la batería puede producir una gran circulación de corriente, un recalentamiento, posibles quemaduras e incluso una rotura de la misma.

6. No guarde la herramienta y el cartucho de batería en lugares donde la temperatura pueda alcanzar o exceder los 50 °C.
7. Nunca incinere el cartucho de batería incluso en el caso de que esté dañado seriamente o ya no sirva en absoluto. El cartucho de batería puede explotar si se tira al fuego.
8. Tenga cuidado de no dejar caer ni golpear el cartucho de batería.
9. No utilice una batería dañada.
10. Las baterías de litio-ion contenidas están sujetas a los requisitos de la Legislación para Materiales Peligrosos.
Para transportes comerciales, p.ej., por terceras personas y agentes de transportes, se deberán observar requisitos especiales para el empaquetado y etiquetado.
Para la preparación del artículo que se va a enviar, se requiere consultar con un experto en materiales peligrosos. Por favor, observe también la posibilidad de reglamentos nacionales más detallados.
Cubra con cinta aislante o enmascare los contactos expuestos y empaquete la batería de tal manera que no se pueda mover alrededor dentro del embalaje.
11. Siga los reglamentos locales referentes al desecho de la batería.

GUARDE ESTAS INSTRUCCIONES.

⚠PRECAUCIÓN: Utilice solamente baterías genuinas de Makita. La utilización de baterías no genuinas de Makita, o baterías que han sido alteradas, puede resultar en una explosión de la batería ocasionando incendios, heridas personales y daños. También anulará la garantía de Makita para la herramienta y el cargador de Makita.

Consejos para alargar al máximo la vida de servicio de la batería

1. Cargue el cartucho de batería antes de que se descargue completamente. Detenga siempre la operación y cargue el cartucho de batería cuando note menos potencia en la herramienta.
2. No cargue nunca un cartucho de batería que esté completamente cargado. La sobrecarga acortará la vida de servicio de la batería.
3. Cargue el cartucho de batería a temperatura ambiente de 10 °C - 40 °C. Si un cartucho de batería está caliente, déjelo enfriar antes de cargarlo.
4. Cargue el cartucho de batería si no lo utiliza durante un periodo de tiempo prolongado (más de seis meses).

DESCRIPCIÓN DEL FUNCIONAMIENTO

⚠PRECAUCIÓN: Asegúrese siempre de que la herramienta está apagada y el cartucho de batería retirado antes de realizar cualquier ajuste o comprobación en la herramienta.

Instalación o extracción del cartucho de batería

⚠PRECAUCIÓN: Apague siempre la herramienta antes de instalar o retirar el cartucho de batería.

⚠PRECAUCIÓN: Sujete la herramienta y el cartucho de batería firmemente cuando instale o retire el cartucho de batería. Si no sujeta la herramienta y el cartucho de batería firmemente podrán caérsele de las manos y resultar en daños a la herramienta y al cartucho de batería y heridas personales.

► Fig. 1: 1. Indicador rojo 2. Botón 3. Cartucho de batería

Para retirar el cartucho de batería, deslícelo de la herramienta mientras desliza el botón de la parte frontal del cartucho.

Para instalar el cartucho de batería, alinee la lengüeta del cartucho de batería con la ranura de la carcasa y deslícelo hasta que encaje en su sitio. Insértelo a tope hasta que se bloquee en su sitio produciendo un pequeño chasquido. Si puede ver el indicador rojo en el lado superior del botón, no estará bloqueado completamente.

⚠PRECAUCIÓN: Instale siempre el cartucho de batería completamente hasta que no pueda verse el indicador rojo. En caso contrario, podrá caerse accidentalmente de la herramienta y ocasionarle heridas a usted o a alguien que esté cerca de usted.

⚠PRECAUCIÓN: No instale el cartucho de batería empleando fuerza. Si el cartucho no se desliza al interior fácilmente, será porque no está siendo insertado correctamente.

Sistema de protección de la herramienta / batería

La herramienta está equipada con un sistema de protección de la herramienta/batería. Este sistema corta automáticamente la alimentación al motor para alargar la vida de servicio de la herramienta y la batería. La herramienta se detendrá automáticamente durante la operación si la herramienta o la batería es puesta en una de las condiciones siguientes:

Protección contra sobrecarga

Cuando la herramienta/batería sea operada de manera que le haga absorber una corriente anormalmente alta, la herramienta se detendrá automáticamente sin ninguna indicación. En esta situación, apague la herramienta y detenga la aplicación que ocasiona la sobrecarga de la herramienta. Después encienda la herramienta para volver a empezar.

Protección contra el recalentamiento

Cuando la herramienta/batería se recalienta, la herramienta se detiene automáticamente. En esta situación, deje que la herramienta/batería se enfríe antes de encender la herramienta otra vez.

Protección contra descarga excesiva

Cuando la capacidad de la batería no es suficiente, la herramienta se detiene automáticamente y el indicador de batería muestra el estado siguiente. En este caso, retire la batería de la herramienta y cargue la batería.

Encendido	Apagado	Parpadeando

Modo de indicar la capacidad de batería restante

Solamente para cartuchos de batería con el indicador

► Fig.2: 1. Lámparas indicadoras 2. Botón de comprobación

Presione el botón de comprobación en el cartucho de batería para indicar la capacidad de batería restante. Las lámparas indicadoras se iluminan durante unos pocos segundos.

Lámparas indicadoras			Capacidad restante
Iluminada	Apagada	Parpadeando	
■	□	◐	
■ ■ ■ ■			75% a 100%
■ ■ ■ □			50% a 75%
■ ■ □ □			25% a 50%
■ □ □ □			0% a 25%
◐ □ □ □			Cargue la batería.
■ ■ □ □			Puede que la batería no esté funcionando bien.
□ □ ■ ■			

NOTA: Dependiendo de las condiciones de utilización y de la temperatura ambiente, la indicación podrá variar ligeramente de la capacidad real.

Modo de indicar la capacidad de batería restante

Específico para cada país

Cuando usted aprieta el gatillo interruptor o presiona el elemento de contacto, el indicador de batería muestra la capacidad de la batería restante.

► Fig.3: 1. Indicador de batería

La capacidad de batería restante se muestra como en la tabla siguiente.

Estado del indicador de batería			Capacidad de batería restante
Encendido	Apagado	Parpadeando	
			50% a 100%
			20% a 50%
			0% a 20%
			Cargue la batería

Botón de bloqueo del gatillo

⚠PRECAUCIÓN: Antes de insertar el cartucho de batería en la herramienta, compruebe siempre para cerciorarse de que el gatillo interruptor se acciona debidamente y que vuelve a la posición "OFF" cuando lo suelta.

⚠PRECAUCIÓN: Cuando no esté utilizando la herramienta, presione hacia dentro el botón de bloqueo del gatillo desde el lado B para bloquear el gatillo interruptor en la posición apagada.

► Fig.4: 1. Botón de bloqueo del gatillo 2. Gatillo interruptor

► Fig.5

Para evitar que el gatillo interruptor pueda ser apretado accidentalmente, se ha provisto el botón de bloqueo del gatillo.

Para apretar el gatillo interruptor, presione hacia dentro el botón de bloqueo del gatillo desde el lado A.

Después de utilizar, presione siempre hacia dentro el botón de bloqueo del gatillo desde el lado B.

Ajuste de la profundidad de clavado

⚠ADVERTENCIA: Asegúrese siempre de que sus dedos no están puestos en el gatillo interruptor o el elemento de contacto y que el cartucho de batería ha sido retirado antes de ajustar la profundidad de clavado.

La profundidad de clavado se puede ajustar en esta clavadora de clavos. Para ajustar la profundidad de clavado, gire el ajustador. La profundidad de clavado está a la máxima profundidad cuando el ajustador está girado completamente en la dirección A mostrada en la figura. Se volverá menos profunda a medida que el ajustador sea girado en la dirección B. La profundidad se puede ajustar de 1,5 mm al máximo.

► Fig.6: 1. Ajustador

► Fig.7: 1. Muy profundo 2. A ras 3. Muy poco profundo

Encendido de la lámpara

PRECAUCIÓN: No mire a la luz ni vea la fuente de luz directamente.

Apriete el gatillo interruptor o accione el elemento de contacto para encender la lámpara. La lámpara seguirá encendida mientras tenga apretado el gatillo interruptor o accionado el elemento de contacto. La lámpara se apagará aproximadamente 10 segundos después de liberar el gatillo interruptor y el elemento de contacto.

► Fig.8: 1. Lámpara

NOTA: Utilice un paño seco para quitar la suciedad de la lente de la lámpara. Tenga cuidado de no rayar la lente de la lámpara, porque podrá disminuir la iluminación.

NOTA: Aunque la lámpara se ilumine cuando quede poca energía restante en la batería, la clavadora de clavos podrá no disparar clavos. En este caso, cargue el cartucho de batería.

MONTAJE

PRECAUCIÓN: Asegúrese siempre de que sus dedos no están puestos en el gatillo interruptor o el elemento de contacto y que el cartucho de batería ha sido retirado antes de realizar cualquier trabajo en la clavadora de clavos.

Carga de la clavadora de clavos

PRECAUCIÓN: Antes de cargar la clavadora de clavos asegúrese siempre de que el cartucho de batería ha sido retirado. Un disparo involuntario puede ocasionar heridas personales y daños a la propiedad.

PRECAUCIÓN: No deslice abruptamente el cargador de la clavadora de clavos cargado con clavos. La caída accidental de clavos especialmente cuando se está trabajando en lugares altos puede ocasionar heridas personales.

PRECAUCIÓN: Cargue clavos en la dirección correcta. Si carga en dirección incorrecta podrá ocasionar un desgaste prematuro del impulsor y daños a otras partes.

PRECAUCIÓN: No utilice clavos conectados deformados. Utilice clavos especificados en este manual. La utilización de clavos distintos de los especificados podrá ocasionar atasco de clavos y rotura de la clavadora de clavos.

1. Retire el cartucho de batería.
 2. Presione la palanca de bloqueo y deslice hacia atrás el cargador.
 3. Alínele la punta de los clavos con las ranuras en la parte inferior del cargador y presione la parte entera de los clavos hacia la guía del impulsor. (Tenga cuidado de poner los clavos en la dirección correcta).
- Fig.9: 1. Clavos 2. Cargador 3. Palanca de bloqueo 4. Guía del impulsor

4. Después de cargar clavos, vuelva a empujar el cargador a su sitio hasta que produzca un chasquido.

Para retirar los clavos, siga los procedimientos de instalación a la inversa.

Adaptador de boca

PRECAUCIÓN: Asegúrese siempre de que sus dedos no están puestos en el gatillo interruptor o el elemento de contacto y que el cartucho de batería ha sido retirado antes de instalar el adaptador de boca.

Cuando dispare clavos en un material con superficies fácilmente deteriorables, utilice el adaptador de boca. Para instalar el adaptador de boca, colóquelo sobre la cubierta de la guía del impulsor de forma que la protuberancia dentro del adaptador de boca encaje en la hendidura en la cubierta de la guía del impulsor. Puede guardar el adaptador de boca en el soporte del extremo trasero del cargador para evitar que se pierda.

► Fig.10: 1. Hendidura 2. Protuberancia 3. Adaptador de boca 4. Soporte

Gancho

PRECAUCIÓN: No cuelgue el gancho en el cinturón. Si la clavadora de clavos se cae debido a que el gancho se sale accidentalmente de su sitio, podrá ocasionar un disparo involuntario y resultar en heridas personales.

► Fig.11

El gancho resulta útil para colgar la herramienta temporalmente. Se puede instalar en cualquiera de los lados de la herramienta.

Para instalar el gancho, insértelo en una ranura de cualquiera de los lados de la carcasa de la herramienta y después sujételo con un tornillo. Para retirarlo, afloje el tornillo y después sáquelo.

► Fig.12: 1. Ranura 2. Gancho 3. Tornillo

Para guardar la llave hexagonal

Cuando no la esté utilizando, guarde la llave hexagonal como se muestra en la figura para evitar que se pierda.

► Fig.13: 1. Llave hexagonal

OPERACIÓN

Comprobación del sistema de seguridad

⚠ADVERTENCIA: Antes de la operación asegúrese de que todos los sistemas de seguridad están en condiciones de funcionamiento. En caso contrario podrán producirse heridas personales.

► Fig.14: 1. Botón de bloqueo del gatillo 2. Gatillo interruptor 3. Elemento de contacto 4. Cargador

Antes de la operación compruebe los sistemas de seguridad por si hay algún posible fallo como se indica a continuación.

1. Descargue los clavos de la herramienta y mantenga abierto el cargador.
2. Instale el cartucho de batería y libere el bloqueo del gatillo.
3. Solamente apriete el gatillo interruptor sin tocar contra el material el elemento de contacto.
4. Solamente toque contra el material el elemento de contacto sin apretar el gatillo interruptor.

Si la herramienta se acciona en los casos 3 y 4 de arriba, los sistemas de seguridad estarán defectuosos. Deje de utilizar la herramienta inmediatamente y pregunte al centro de servicio local.

Para clavar clavos

⚠ADVERTENCIA: Continúe poniendo el elemento de contacto firmemente sobre el material hasta que el clavo sea clavado completamente. Un disparo involuntario puede ocasionar heridas personales.

1. Libere el bloqueo del gatillo.
2. Coloque plano sobre el material el elemento de contacto.
3. Apriete el gatillo interruptor completamente para clavar un clavo.

4. Para clavar el siguiente clavo, retire el dedo del gatillo interruptor una vez, y después repita los pasos 2 y 3 de arriba.

► Fig.15: 1. Gatillo interruptor 2. Elemento de contacto

También puede clavar clavos cuando arrastra la herramienta al siguiente área con el elemento de contacto presionado contra el material y apretando el gatillo interruptor.

► Fig.16

Si la cabeza del clavo queda por encima de la superficie de la pieza de trabajo, clave el clavo mientras sujeta el cabezal de la clavadora de clavos firmemente contra la pieza de trabajo.

► Fig.17

NOTA: Si la cabeza del clavo aún queda por encima de la superficie de la pieza de trabajo aunque usted sujeta el cabezal de la clavadora de clavos, puede que el material no sea apropiado para la clavadora de clavos. Si continúa utilizando la clavadora de clavos en ese material podrá resultar en daños al impulsor de la clavadora de clavos y/o en un atasco de la clavadora de clavos.

Mecanismo de antidisparo en seco

⚠ADVERTENCIA: Asegúrese siempre de que sus dedos no están puestos en el gatillo interruptor o el elemento de contacto y que el cartucho de batería ha sido retirado antes de cargar la clavadora de clavos.

Cuando el número restante de clavos en el cargador sea de 0 - 3 unidades, el gatillo interruptor ya no se podrá apretar. En este momento, inserte una tira de clavos nueva en el cargador y el gatillo interruptor se podrá apretar otra vez.

NOTA: Para disparar clavos de una longitud diferente poco después de haber activado el dispositivo de antidisparo en seco, inserte una tira de clavos nueva en el cargador y dispáre en material de desecho todos los clavos que quedaron de la vez anterior.

Comprobación de los clavos restantes

Puede comprobar la cantidad de clavos que quedan a través de la ventanilla de visión.

El indicador rojo se mueve hacia la abertura de fijación con la cantidad restante de clavos volviéndose más pequeña.

► Fig.18: 1. Ventanilla de visión 2. Indicador

Para retirar clavos atascados

⚠ADVERTENCIA: Antes de retirar clavos atascados asegúrese siempre de que el cartucho de batería ha sido retirado.

Extraiga los clavos que queden dentro del cargador. Retire con la llave hexagonal los tres tornillos que sujetan la cubierta de la guía del impulsor. Extraiga los clavos atascados de la ranura de guía de clavos que ha aparecido.

Cuando sea difícil extraer los clavos atascados, retire con la llave hexagonal otros dos tornillos que están sujetando la cubierta superior de contacto. Después extráigalos.

- **Fig.19:** 1. Cubierta de la guía del impulsor
2. Tornillo 3. Cubierta superior de contacto

MANTENIMIENTO

⚠PRECAUCIÓN: Asegúrese siempre de que la herramienta está apagada y de que el cartucho de batería está retirado antes de intentar hacer una inspección o mantenimiento.

AVISO: No utilice nunca gasolina, bencina, disolvente, alcohol o similares. Podría producir descoloración, deformación o grietas.

Para mantener la SEGURIDAD y FIABILIDAD del producto, las reparaciones, y cualquier otra tarea de mantenimiento o ajuste deberán ser realizadas en centros de servicio o de fábrica autorizados por Makita, empleando siempre repuestos Makita.

ACCESORIOS OPCIONALES

⚠PRECAUCIÓN: Estos accesorios o aditamentos están recomendados para su uso con la herramienta Makita especificada en este manual. El uso de cualquier otro accesorio o aditamento puede suponer un riesgo de heridas personales. Utilice el accesorio o aditamento solamente con la finalidad indicada para el mismo.

Si necesita cualquier ayuda para más detalles en relación con estos accesorios, pregunte al centro de servicio Makita local.

- Clavos
- Batería y cargador genuinos de Makita
- Gafas de seguridad

NOTA: Algunos elementos de la lista podrán estar incluidos en el paquete de la herramienta como accesorios estándar. Pueden variar de un país a otro.

ESPECIFICAÇÕES

Modelo:	DPT353	
Tamanho do pino de pregar	ø0,6 mm x 15, 18, 25, 30, 35 mm	
Capacidade do magazine do pino de pregar	100 peças	
Dimensões sem gancho (C x L x A)	257 mm x 79 mm x 226 mm	
Tensão nominal	CC 18 V	
Bateria	BL 1815, BL 1815N, BL 1820, BL 1820B	BL 1830, BL 1830B, BL 1840, BL 1840B, BL 1850, BL 1850B, BL 1860B
Peso líquido	2,0 kg	2,2 kg

- Devido a um programa contínuo de pesquisa e desenvolvimento, estas especificações estão sujeitas a alteração sem aviso prévio.
- As especificações e a bateria podem variar de país para país.
- Peso, com a bateria, de acordo com o Procedimento 01/2003 da EPTA (European Power Tool Association)

Utilização a que se destina

A ferramenta serve para agrafar pinos de pregar em materiais de construção, como a madeira.

Ruído

A característica do nível de ruído A determinado de acordo com a EN60745:

Nível de pressão acústica (L_{pA}): 76 dB (A)

Variabilidade (K): 3 dB (A)

O nível de ruído durante o funcionamento pode exceder 80 dB (A).

AVISO: Utilize protetores auriculares.

Vibração

O valor total da vibração determinado de acordo com o EN60745:

Emissão de vibração (a_h): 2,5 m/s² ou menos

Variabilidade (K): 1,5 m/s²

NOTA: O valor da emissão de vibração indicado foi medido de acordo com o método de teste padrão e pode ser utilizado para comparar duas ferramentas.

NOTA: O valor da emissão de vibração indicado pode também ser utilizado na avaliação preliminar da exposição.

AVISO: A emissão de vibração durante a utilização real da ferramenta elétrica pode diferir do valor de emissão indicado, dependendo das formas como a ferramenta é utilizada.

AVISO: Certifique-se de identificar as medidas de segurança para proteção do operador que sejam baseadas em uma estimativa de exposição em condições reais de utilização (considerando todas as partes do ciclo de operação, tal como quando a ferramenta está desligada e quando está a funcionar em marcha lenta além do tempo de acionamento).

Declaração de conformidade da CE

Apenas para os países europeus

A declaração de conformidade da CE está incluída como Anexo A neste manual de instruções.

AVISOS DE SEGURANÇA

Avisos gerais de segurança para ferramentas elétricas

AVISO: Leia todos os avisos de segurança, instruções, ilustrações e especificações fornecidos com esta ferramenta elétrica. O não cumprimento de todas as instruções indicadas em baixo pode resultar em choque elétrico, incêndio e/ou ferimentos graves.

Guarde todos os avisos e instruções para futuras referências.

O termo “ferramenta elétrica” nos avisos refere-se às ferramentas elétricas ligadas à corrente elétrica (com cabo) ou às ferramentas elétricas operadas por meio de bateria (sem cabo).

Avisos de segurança do pinador a bateria

1. **Assuma sempre que a ferramenta contém fixadores.** Um manuseamento descuidado do pinador pode resultar em disparo inesperado dos fixadores e em ferimentos pessoais.
2. **Não aponte a ferramenta na sua direção ou na de alguém nas proximidades.** O disparo inesperado descarregará o fixador provocando um ferimento.

3. **Não acione a ferramenta a não ser que ela esteja colocada firmemente contra a peça de trabalho.** Se a ferramenta não estiver em contacto com a peça de trabalho, o fixador pode ser desviado do alvo.
4. **Desligue a ferramenta da fonte de energia quando o fixador fica encravado na ferramenta.** Enquanto remove um fixador encravado, o pinador pode ser ativado acidentalmente se estiver ligado à corrente.
5. **Tenha todo o cuidado enquanto remove um fixador encravado.** O mecanismo pode estar sob compressão e o agrafe pode ser descarregado com força enquanto tenta libertar-se de uma condição de encravamento.
6. **Não utilize este pinador para prender cabos elétricos.** Ele não foi concebido para a instalação de cabos elétricos e pode danificar o isolamento dos cabos elétricos, causando dessa forma choque elétrico ou perigo de incêndio.
7. **Use sempre óculos de segurança para proteger os olhos da poeira ou de lesões provocadas pelos fixadores.**
⚠️AVISO: É responsabilidade do empregador obrigar os operadores da ferramenta e outras pessoas que possam estar na área de trabalho adjacente a utilizarem equipamentos de proteção ocular de segurança.
8. **Mantenha as mãos e pés afastados da área da porta de ejeção.**
9. **Siga as instruções referentes à lubrificação e substituição de acessórios.**
10. **Retire sempre a bateria antes de carregar fixadores, ajustar, inspecionar, realizar a manutenção ou depois de terminar a operação.**
11. **Certifique-se de que não há ninguém por perto antes de realizar a operação. Nunca tente disparar fixadores tanto a partir de dentro como de fora da parede ao mesmo tempo. Os fixadores podem dilacerar e/ou voar, apresentando um perigo grave.**
12. **Tenha cuidado e mantenha-se numa posição firme e equilibrada ao utilizar a ferramenta. Certifique-se de que ninguém está por baixo quando trabalha em locais altos.**
13. **Nunca utilize ferramentas de aparafusar com fixador marcadas com o símbolo "Não utilizar em andaimes, escadas" para aplicação específica como, por exemplo:**
 - quando trocar um local de aparafusamento por outro envolver o uso de andaimes, degraus de escadas, escadas ou construções semelhantes a escadas, por exemplo, ripas de telhado;
 - fechar caixas ou grades;
 - instalar sistemas de segurança de transporte, por exemplo, em veículos e vagões.
14. **Verifique cuidadosamente as paredes, tetos, pisos, telhados e similares para evitar possíveis choques elétricos, fugas de gás, explosões, etc. causados por agrafar fios condutores, condutas ou tubos de gás.**
15. **Utilize apenas os fixadores especificados neste manual. A utilização de quaisquer outros fixadores pode provocar um mau funcionamento da ferramenta.**
16. **Não interfira com a ferramenta nem tente utilizá-la para outros fins além de colocar fixadores.**
17. **Não utilize a ferramenta sem fixadores. Isso reduz a vida da ferramenta.**
18. **Pare imediatamente as operações de acionamento se reparar em algo de errado ou fora do normal com a ferramenta.**
19. **Nunca utilize em materiais que permitam que o fixador fure e seja projetado através do mesmo.**
20. **Nunca faça atuar o gatilho do interruptor e o elemento de contacto simultaneamente até estar preparado para agrafar peças de trabalho. Deixe a peça de trabalho pressionar o elemento de contacto. Nunca contrarie a sua finalidade retendo o elemento de contacto ou pressionando-o à mão.**
21. **Não interfira com o elemento de contacto. Verifique o elemento de contacto frequentemente para ver se está a funcionar corretamente.**
22. **Remova sempre os fixadores da ferramenta quando não estiver a ser utilizada.**

GUARDE ESTAS INSTRUÇÕES.

⚠️AVISO: NÃO permita que conforto ou familiaridade com o produto (adquirido com o uso repetido) substitua a aderência estrita às regras de segurança da ferramenta. MÁ INTERPRETAÇÃO ou não seguimento das regras de segurança estabelecidas neste manual de instruções pode causar danos pessoais sérios.

Instruções de segurança importantes para a bateria

1. **Antes de utilizar a bateria, leia todas as instruções e etiquetas de precaução no (1) carregador de bateria (2) bateria e (3) produto que utiliza a bateria.**
2. **Não abra a bateria.**
3. **Se o tempo de funcionamento se tornar excessivamente curto, pare o funcionamento imediatamente. Pode resultar em sobreaquecimento, possíveis queimaduras e mesmo explosão.**
4. **Se entrar eletrólito nos seus olhos, lave-os com água e consulte imediatamente um médico. Pode resultar em perda de visão.**
5. **Não coloque a bateria em curto-circuito:**
 - (1) **Não toque nos terminais com qualquer material condutor.**
 - (2) **Evite guardar a bateria juntamente com outros objetos metálicos tais como pregos, moedas, etc.**
 - (3) **Não exponha a bateria à água ou chuva. Um curto-circuito pode ocasionar um enorme fluxo de corrente, sobreaquecimento, possíveis queimaduras e mesmo estragar-se.**

6. Não guarde a ferramenta e a bateria em locais onde a temperatura pode atingir ou exceder 50°C.
7. Não queime a bateria mesmo que esteja estragada ou completamente gasta. A bateria pode explodir no fogo.
8. Tenha cuidado para não deixar cair ou dar pancadas na bateria.
9. Não utilize uma bateria danificada.
10. As baterias de íões de lítio contidas na ferramenta são sujeitas aos requisitos da DGL (Dangerous Goods Legislation - Legislação de bens perigosos).
Para o transporte comercial, por exemplo, por terceiros ou agentes de expedição, têm de ser observados os requisitos referentes à embalagem e etiquetagem.
Para preparação do artigo a ser expedido, é necessário consultar um perito em materiais perigosos. Tenha ainda em conta a possibilidade de existirem regulamentos nacionais mais detalhados.
Coloque fita-cola ou tape os contactos abertos e embale a bateria de tal forma que não possa mover-se dentro da embalagem.
11. Siga os regulamentos locais relacionados com a eliminação de baterias.

GUARDE ESTAS INSTRUÇÕES.

⚠️PRECAUÇÃO: Utilize apenas baterias genuínas da Makita. A utilização de baterias não genuínas da Makita ou de baterias que foram alteradas, pode resultar no rebentamento da bateria provocando incêndios, ferimentos pessoais e danos. Além disso, anulará da garantia da Makita no que se refere à ferramenta e ao carregador Makita.

Conselhos para manter a máxima vida útil da bateria

1. Carregue a bateria antes que esteja completamente descarregada. Pare sempre o funcionamento da ferramenta e carregue a bateria quando notar menos poder na ferramenta.
2. Nunca carregue uma bateria completamente carregada. Carregamento excessivo diminui a vida útil da bateria.
3. Carregue a bateria à temperatura ambiente de 10°C – 40°C. Deixe que uma bateria quente arrefeça antes de a carregar.
4. Carregue a bateria se não a utilizar durante um longo período de tempo (mais de seis meses).

DESCRIÇÃO FUNCIONAL

⚠️PRECAUÇÃO: Certifique-se sempre de que a ferramenta está desligada e a bateria foi retirada antes de regular ou verificar qualquer função na ferramenta.

Instalação ou remoção da bateria

⚠️PRECAUÇÃO: Desligue sempre a ferramenta antes de colocar ou retirar a bateria.

⚠️PRECAUÇÃO: Segure firmemente a ferramenta e a bateria quando instalar ou remover a bateria. Se não segurar firmemente a ferramenta e a bateria pode fazer com que escorreguem das suas mãos resultando em danos na ferramenta e na bateria e ferimentos pessoais.

► Fig.1: 1. Indicador vermelho 2. Botão 3. Bateria

Para retirar a bateria, deslize-a para fora da ferramenta enquanto desliza o botão na frente da bateria.

Para instalar a bateria, alinhe a lingueta da bateria com a ranhura no compartimento e deslize-a no lugar. Empurre-a até o fim para que a mesma encaixe no lugar com um clique. Se puder ver a parte vermelha no lado superior do botão, significa que não está completamente bloqueada.

⚠️PRECAUÇÃO: Instale sempre a bateria até ao fim, até deixar de ver o indicador vermelho. Caso contrário, a bateria poderá cair da ferramenta acidentalmente e provocar ferimentos em si mesmo ou em alguém próximo.

⚠️PRECAUÇÃO: Não instale a bateria à força. Se a bateria não deslizar facilmente é porque não foi colocada corretamente.

Sistema de proteção da ferramenta/bateria

A ferramenta está equipada com um sistema de proteção da ferramenta/bateria. Este sistema corta automaticamente a corrente para o motor para aumentar a vida da ferramenta e da bateria. A ferramenta para automaticamente durante o funcionamento se a ferramenta ou bateria for colocada mediante uma das seguintes condições:

Proteção contra sobrecarga

Quando a ferramenta/bateria é operada de forma que puxe uma corrente anormalmente elevada, a ferramenta para automaticamente sem qualquer indicação. Nesta situação, desligue a ferramenta e pare a aplicação que provocou o sobrecarregamento da ferramenta. Depois, ligue a ferramenta para a reiniciar.

Proteção contra sobreaquecimento

Quando a ferramenta/bateria fica sobreaquecida, a ferramenta para automaticamente. Neste caso, deixe a ferramenta/bateria arrefecer antes de voltar a ligar a ferramenta.

Proteção contra descarga excessiva

Quando a capacidade da bateria não é suficiente, a ferramenta para automaticamente e o indicador da bateria mostra o estado que se segue. Neste caso, retire a bateria da ferramenta e carregue-a.

Aceso	Apagado	A piscar

Indicação da capacidade restante da bateria

Apenas para baterias com indicador

► **Fig.2:** 1. Luzes indicadoras 2. Botão de verificação

Prima o botão de verificação na bateria para indicar a capacidade restante da bateria. As luzes indicadoras acendem durante alguns segundos.

Luzes indicadoras			Capacidade restante
Aceso	Apagado	A piscar	
■	□	◐	75% a 100%
■	■	■	
■	■	□	50% a 75%
■	□	□	25% a 50%
□	□	□	0% a 25%
◐	□	□	Carregar a bateria.
■	■	□	A bateria pode estar avariada.
□	□	■	

NOTA: Dependendo das condições de utilização e da temperatura ambiente, a indicação pode ser ligeiramente diferente da capacidade real.

Indicação da capacidade restante da bateria

Específico para o país

Quando puxa o gatilho ou prime o elemento de contacto, o indicador da bateria mostra a capacidade restante da bateria.

► **Fig.3:** 1. Indicador da bateria

A capacidade restante da bateria é apresentada como indicado na tabela seguinte.

Estado dos indicadores da bateria			Capacidade restante da bateria
Aceso	Apagado	A piscar	
			50% a 100%
			20% a 50%
			0% a 20%
			Carregar a bateria

Botão de bloqueio do gatilho

PRECAUÇÃO: Antes de colocar a bateria na ferramenta, verifique sempre se o gatilho do interruptor funciona corretamente e volta para a posição "OFF" quando libertado.

PRECAUÇÃO: Quando não estiver a utilizar a ferramenta, prima o botão de bloqueio do gatilho a partir do lado B para bloquear o gatilho na posição de desligado.

► **Fig.4:** 1. Botão de bloqueio do gatilho 2. Gatilho

► **Fig.5**

Para evitar que o gatilho seja puxado acidentalmente, é fornecido o botão de bloqueio do gatilho.

Para puxar o gatilho, prima o botão de bloqueio do gatilho a partir do lado A.

Depois de utilizar, prima sempre o botão de bloqueio do gatilho a partir do lado B.

Ajustar a profundidade de pregagem de pinos

AVISO: Certifique-se sempre de que não tem os dedos colocados no gatilho do interruptor ou no elemento de contacto e que a bateria é removida antes de regular a profundidade de pregagem.

A profundidade de pregagem de pinos pode ser regulada neste pinador. Para ajustar a profundidade de pregagem, rode o regulador. A profundidade de pregagem é a mais profunda quando o regulador é rodado completamente no sentido A indicado na figura. Tornar-se-á menos profunda à medida que o regulador é rodado no sentido B. A profundidade pode ser regulada 1,5 mm no máximo.

► **Fig.6:** 1. Regulador

► **Fig.7:** 1. Demasiado profundo 2. Nivelado 3. Demasiado superficial

Acender a luz

PRECAUÇÃO: Não olhe para a luz ou para a fonte de iluminação diretamente.

Puxe o gatilho ou acione o elemento de contacto para acender a luz. A luz mantém-se acesa enquanto estiver a puxar o gatilho ou a acionar o elemento de contacto. A luz apaga-se aproximadamente 10 segundos depois de libertar o gatilho e o elemento de contacto.

► **Fig.8:** 1. Lâmpada

NOTA: Utilize um pano seco para limpar a sujidade da lente da lâmpada. Tenha cuidado para não riscar a lente da lâmpada ou a iluminação pode ficar enfraquecida.

NOTA: Mesmo que a luz acenda quando a energia residual da bateria baixar, o pinador poderá não disparar pinos de pregar. Neste caso, carregue a bateria.

MONTAGEM

⚠PRECAUÇÃO: Certifique-se sempre de que não tem os dedos colocados no gatilho do interruptor ou no elemento de contacto e que a bateria é removida antes de realizar qualquer trabalho no pinador.

Carregar o pinador

⚠PRECAUÇÃO: Certifique-se sempre de que a bateria foi retirada antes de carregar o pinador. O disparo não intencional pode provocar ferimentos pessoais e danos na propriedade.

⚠PRECAUÇÃO: Não deslize abruptamente o magazine do pinador carregado com pinos de pregar. Deixar cair acidentalmente pinos de pregar, especialmente quando estiver a trabalhar em locais elevados, poderá causar ferimentos.

⚠PRECAUÇÃO: Carregue os pinos de pregar no sentido correto. Carregar os pinos de pregar no sentido incorreto poderá causar o desgaste e o rasgo prematuro do acionador e danos nas restantes peças.

⚠PRECAUÇÃO: Não utilize pinos de pregar ligados deformados. Utilize os pinos de pregar especificados neste manual. Utilizar pinos de pregar além dos especificados poderá causar o encravamento do pino de pregar e a quebra do pinador.

1. Retire a bateria.
 2. Aperte a alavanca de bloqueio e deslize o magazine para trás.
 3. Alinhe a ponta dos pinos de pregar com as ranhuras na parte inferior do magazine e puxe a peça completa dos pinos de pregar em direção à guia do acionador. (Tenha cuidado em colocar os pinos de pregar no sentido correto.)
- **Fig.9:** 1. Pinos de pregar 2. Magazine 3. Alavanca de bloqueio 4. Guia do acionador

4. Depois de carregar os pinos de pregar, puxe o magazine para trás para o colocar no lugar, até dar um estalido. Para remover os pinos de pregar, siga os procedimentos de instalação pela ordem inversa.

Adaptador da cabeça

⚠PRECAUÇÃO: Certifique-se sempre de que não tem os dedos colocados no gatilho do interruptor ou no elemento de contacto e que a bateria é removida antes de instalar o adaptador da cabeça.

Quando disparar pinos de pregar no material com superfícies facilmente manchadas, utilize o adaptador de cabeça. Para instalar o adaptador de cabeça, coloque-o sobre a cobertura da guia do acionador, de modo a que a saliência no interior do adaptador da cabeça encaixe no entalhe na cobertura da guia do acionador. Pode guardar o adaptador da cabeça no suporte na extremidade traseira do magazine para evitar perdê-lo.

► **Fig.10:** 1. Entalhe 2. Saliência 3. Adaptador da cabeça 4. Suporte

Gancho

⚠PRECAUÇÃO: Não pendure o gancho no cinto para a cintura. Deixar cair o pinador, o que é provocado por o gancho sair acidentalmente do lugar, pode provocar o disparo não intencional e resultar em ferimentos pessoais.

► **Fig.11**

O gancho é conveniente para pendurar a ferramenta temporariamente. Este pode ser instalado em qualquer um dos lados da ferramenta.

Para instalar o gancho, insira-o na ranhura na caixa da ferramenta em qualquer um dos lados e fixe-o com um parafuso. Para remover, solte o parafuso e retire-o.

► **Fig.12:** 1. Ranhura 2. Gancho 3. Parafuso

Armazenamento da chave hexagonal

Quando não estiver a utilizá-la, guarde a chave hexagonal conforme indicado na figura para evitar perdê-la.

► **Fig.13:** 1. Chave hexagonal

OPERAÇÃO

Testar o sistema de segurança

⚠AVISO: Certifique-se de que todos os sistemas de segurança estão a funcionar adequadamente antes da operação. Caso contrário, pode provocar ferimentos pessoais.

► **Fig.14:** 1. Botão de bloqueio do gatilho 2. Gatilho 3. Elemento de contacto 4. Magazine

Teste os sistemas de segurança quanto a possível falha antes da operação, como se segue.

1. Descarregue os pinos de pregar da ferramenta e mantenha o magazine aberto.
2. Instale a bateria e solte o bloqueio do gatilho.
3. Puxe apenas o gatilho sem tocar no elemento de contacto encostado ao material.
4. Toque apenas no elemento de contacto encostado ao material sem puxar o gatilho.

Se a ferramenta funcionar no caso de 3 e 4 acima, os sistemas de segurança estão avariados. Pare a utilização da ferramenta imediatamente e peça ajuda ao centro de assistência local.

Aparafusar pinos de pregar

⚠AVISO: Continue a colocar o elemento de contacto firmemente sobre o material até o pino de pregar ser aparafusado completamente. O disparo não intencional pode provocar ferimentos pessoais.

1. Solte o bloqueio do gatilho.
 2. Coloque o elemento de contacto encostado ao material.
 3. Puxe o gatilho do interruptor até ao fim para disparar um pino de pregar.
 4. Para aparafusar o pino de pregar seguinte, solte o dedo do gatilho do interruptor uma vez e repita os passos 2 e 3 anteriores.
- **Fig.15:** 1. Gatilho do interruptor 2. Elemento de contacto

Também pode aparafusar os pinos de pregar quando arrastar a ferramenta para a área seguinte com o elemento de contacto pressionado contra o material e pressionando o gatilho do interruptor.

► **Fig.16**

Se a cabeça do pino de pregar permanecer acima da superfície da peça de trabalho, aparafuse o pino de pregar enquanto segura firmemente a cabeça do pino de pregar contra a peça de trabalho.

► **Fig.17**

NOTA: Se a cabeça do pino de pregar permanecer acima da peça de trabalho mesmo quando segura na cabeça do pino de pregar, o material poderá não ser adequado para o pinador. Continuar a utilizar o pinador nesse material pode provocar danos no acionamento do pinador e/ou encravamento no pinador.

Mecanismo antidisparo a seco

⚠AVISO: Certifique-se sempre de que não tem os dedos colocados no gatilho do interruptor ou no elemento de contacto e que a bateria é removida antes de carregar o pinador.

Quando o número de pinos de pregar restantes no magazine é de 0 a 3 peças, o gatilho do interruptor deixa de poder ser puxado. Nesta altura, insira uma nova tira de pinos de pregar no magazine e o gatilho do interruptor pode ser novamente premido.

NOTA: Quando disparar um comprimento diferente de pinos de pregar logo após o mecanismo antidisparo a seco ser acionado, insira uma nova tira de pinos de pregar no magazine e dispare todos os pinos de pregar anteriores que restaram no material de sucata.

Verificar os pinos de pregar restantes

Pode verificar a quantidade de pinos de pregar restantes através da janela de observação. O indicador vermelho move-se em direção à abertura de fixação com a quantidade de pinos de pregar restantes a ficar reduzida.

► **Fig.18:** 1. Janela de observação 2. Indicador

Remover os pinos de pregar encravados

⚠AVISO: Certifique-se sempre de que a bateria foi retirada antes de remover pinos de pregar encravados.

Retire os pinos de pregar que permanecem no interior do magazine.
Remova os três parafusos com a chave hexagonal que fixam a cobertura da guia do acionador.
Retire os pregos encravados da ranhura da guia de pregos que surgiu.
Quando for difícil remover os pregos encravados, remova os dois parafusos com a chave hexagonal que fixam a cobertura superior de contacto. De seguida, remova-os.

► **Fig.19:** 1. Cobertura da guia do acionador
2. Parafuso 3. Cobertura superior de contacto

MANUTENÇÃO

⚠PRECAUÇÃO: Certifique-se sempre de que a ferramenta se encontra desligada e de que a bateria foi retirada antes de executar qualquer inspeção ou manutenção.

OBSERVAÇÃO: Nunca utilize gasolina, benzina, diluente, álcool ou produtos semelhantes. Pode ocorrer a descoloração, deformação ou rachaduras.

Para manter a SEGURANÇA e a FIABILIDADE do produto, as reparações e qualquer outra manutenção ou ajuste devem ser levados a cabo pelos centros de assistência Makita autorizados ou pelos centros de assistência de fábrica, utilizando sempre peças de substituição Makita.

ACESSÓRIOS OPCIONAIS

⚠PRECAUÇÃO: Estes acessórios ou peças são recomendados para utilização com a ferramenta Makita especificada neste manual. A utilização de outros acessórios ou peças pode ser perigosa para as pessoas. Utilize apenas acessórios ou peças para os fins indicados.

Se necessitar de informações adicionais relativas a estes acessórios, solicite-as ao seu centro de assistência Makita.

- Pinos de pregar
- Bateria e carregador genuínos da Makita
- Óculos de segurança

NOTA: Alguns itens da lista podem estar incluídos na embalagem da ferramenta como acessórios padrão. Eles podem variar de país para país.

SPECIFIKATIONER

Model:	DPT353	
Størrelse af stifter	ø0,6 mm x 15, 18, 25, 30, 35 mm	
Kapacitet af stiftemagasin	100 stk.	
Mål uden krog (L x B x H)	257 mm x 79 mm x 226 mm	
Mærkespænding	D.C. 18 V	
Akku	BL 1815, BL 1815N, BL 1820, BL 1820B	BL 1830, BL 1830B, BL 1840, BL 1840B, BL 1850, BL 1850B, BL 1860B
Nettovægt	2,0 kg	2,2 kg

- På grund af vores kontinuerlige forsknings- og udviklingsprogrammer kan hosstående specifikationer blive ændret uden varsel.
- Specifikationer og akku kan variere fra land til land.
- Vægt inklusive akku, i henhold til EPTA-Procedure 01/2003

Tilsigtet anvendelse

Maskinen er beregnet til at trykke stifter ind i byggematerialer som f.eks. tømmer.

Lyd

Det typiske A-vægtede støjniveau bestemt i overensstemmelse med EN60745:

Lydtryksniveau (L_{pA}): 76 dB (A)

Usikkerhed (K): 3 dB (A)

Støjniveauet under arbejdet kan overskride 80 dB (A).

⚠ ADVARSEL: Bær høreværn.

Vibration

Den samlede vibrationsværdi bestemt i henhold til EN60745:

Vibrationsemission (a_h): 2,5 m/s² eller mindre

Usikkerhed (K): 1,5 m/s²

BEMÆRK: Den angivne vibrationsemissionsværdier blevet målt i overensstemmelse med standardtestmetoden og kan anvendes til at sammenligne et værktøj med et andet.

BEMÆRK: Den angivne vibrationsemissionsværdien kan også anvendes i en præliminær eksponeringsvurdering.

⚠ ADVARSEL: Vibrationsemissionen under den faktiske anvendelse af værktøjet kan være forskellig fra den erklærede emissionsværdi, afhængigt af den måde, hvorpå værktøjet anvendes.

⚠ ADVARSEL: Sørg for at identificere de sikkerhedsforskrifter til beskyttelse af operatøren, som er baseret på en vurdering af eksponering under de faktiske brugsforhold (med hensyntagen til alle dele i brugscyklussen, f.eks. de gange, hvor værktøjet er slukket, og når det kører i tomgang i tilgift til afbrydertiden).

EU-overensstemmelseserklæring

Kun for lande i Europa

EU-overensstemmelseserklæringen er inkluderet som Bilag A i denne brugsanvisning.

SIKKERHEDSADVARSLER

Almindelige sikkerhedsregler for el-værktøj

⚠ ADVARSEL: Læs alle de sikkerhedsadvarsler, instruktioner, illustrationer og specifikationer, der følger med denne maskine. Forsømmelse af at overholde alle nedenstående instruktioner kan medføre elektrisk stød, brand og/eller alvorlig personskade.

Gem alle advarsler og instruktioner til fremtidig reference.

Ordet "el-værktøj" i advarslerne henviser til det netforsyede (netledning) el-værktøj eller batteriforsyede (akku) el-værktøj.

Sikkerhedsadvarsler for akku-stiftepistol

1. **Gå altid ud fra, at maskinen indeholder fastgørelsesmidler.** Forsigtig håndtering af stiftepistolen kan medføre uventet affyring af fastgørelsesmidler og personskade.
2. **Ret ikke maskinen mod dig selv eller andre i nærheden.** Uventet udløsning vil affyre fastgørelsesmidlet og medføre personskade.
3. **Aktiver ikke maskinen, medmindre maskinen er anbragt fast mod arbejdsområdet.** Hvis maskinen ikke har kontakt med arbejdsområdet, kan fastgørelsesmidlet blive slynget væk fra målet.

4. **Afbryd maskinen fra strømkilden, hvis fastgørelsesmidlet sætter sig fast i maskinen.** Hvis stifte-pistolen er tilsluttet, kan den blive aktiveret ved et uheld under fjernelse af et fastklemt fastgørelsesmiddel.
5. **Vær forsigtig ved fjernelse af et fastklemt fastgørelsesmiddel.** Mekanismen kan være under tryk, og fastgørelsesmidlet kan blive udløst med stor kraft under forsøg på at afhjælpe en fastklemsning.
6. **Anvend ikke stifte-pistoler til at fastgøre el-kabler.** Den er ikke beregnet til installation af el-kabler og kan beskadige el-kablernes isolation og derved forårsage elektrisk stød og brandfare.
7. **Bær altid sikkerhedsbriller for at beskytte Deres øjne mod skade fra støv eller fastgøringsmidler.**
⚠ADVARSEL: Det er arbejdsgiverens ansvar at sørge for brug af sikkerhedsudstyr til øjenbeskyttelse for maskinens operatører og andre personer i det umiddelbare arbejdsområde.
8. **Hold hænder og fødder på god afstand af udsukningsportens område.**
9. **Følg instruktionerne for smøring og udskiftning af tilbehør.**
10. **Tag altid akkuen ud før indsættelse af fastgørelsesmidler, justering, inspektion, vedligeholdelse, eller når du er færdig med brugen.**
11. **Sørg for, at der ikke er andre i nærheden, før du påbegynder brugen.** Forsøg aldrig at indsætte fastgørelsesmidler fra både indersiden og ydersiden af væggen på samme tid. Fastgørelsesmidler kan gå gennem og/eller flyve væk, hvilket kan være meget farligt.
12. **Sørg for solidt fodfæste, og hold altid balancen med maskinen.** Sørg for, at der ikke befinder sig nogen under dig, når du arbejder på højtliggende steder.
13. **Anvend aldrig maskiner til idrivning af fastgørelsesmidler, der er mærket med symbolet "Må ikke anvendes på stilladser og stiger", til bestemte formål, f.eks.:**
 - ved skift fra et arbejdssted til et andet, der involverer brug af stilladser, trapper, stiger eller stige-lignende konstruktioner som f.eks. taglægter
 - lukning af kasser eller tremmekasser
 - montering af transportsikkerhedssystemer, f.eks. på biler og vogne.
14. **Kontroller omhyggeligt vægge, lofter, gulve, tagmaterialer og lignende for at undgå risiko for elektrisk stød, udsivning af gas, eksplosioner osv. forårsaget af indførelse af kramper i strømførende ledninger, ledningsrør eller gasrør.**
15. **Brug kun de i denne brugsvejledning specificerede fastgørelsesmidler.** Brug af andre fastgørelsesmidler kan bevirke, at maskinen ikke fungerer korrekt.
16. **Foretag ikke ændringer til maskinen, og forsøg ikke at bruge den til andre formål end at indsætte fastgørelsesmidler.**
17. **Anvend ikke maskinen uden fastgørelsesmidler.** Det forkorter maskinens levetid.
18. **Ophør øjeblikkeligt med arbejdet, hvis du registrerer, at noget er forkert eller virker usædvanligt ved maskinen.**
19. **Fastgør aldrig i materialer, hvor fastgørelsesmidlet kan slå hul og flyve igennem som et projektil.**
20. **Aktiver aldrig afbryderknappen og kontaktele mentet samtidig, før du er klar til at fastgøre arbejds emner.** Lad arbejds emnet trykke kontaktele mentet ned. Tilsidesæt aldrig kontaktele mentets formål ved at fastgøre det tilbage eller holde det nede med hånden.

21. **Lav aldrig om på kontaktele mentet.** Kontroller hyppigt, at kontaktele mentet fungerer korrekt.
22. **Fjern altid fastgørelsesmidler fra maskinen, når den ikke er i brug.**

GEM DENNE BRUGSANVISNING.

⚠ADVARSEL: LAD IKKE bekvemmelighed eller kendskab til produktet (opnået gennem gentagen brug) forhindre, at sikkerhedsforskrifterne for produktet nøje overholdes. **MISBRUG** eller for sømmelse af at følge de i denne brugsvejledning givne sikkerhedsforskrifter kan føre til, at De kommer alvorligt til skade.

Vigtige sikkerhedsinstruktioner for akkuen

1. **Læs alle instruktioner og advarselsmærkater på (1) akku-opladeren, (2) akkuen og (3) produktet, som anvender akku.**
2. **Lad være med at skille akkuen ad.**
3. **Hold straks op med anvendelsen, hvis brugstiden er blevet stærkt afkortet.** Fortsat anvendelse kan resultere i risiko for overophedning, forbrændinger og endog eksplosion.
4. **Hvis De har fået elektrolytvæske i øjnene, skal De straks skylle den ud med rent vand og derefter øjeblikkeligt søge lægehjælp.** I modsat fald kan De miste synet.
5. **Vær påpasselig med ikke at komme til at kortslutte akkuen:**
 - (1) **Rør ikke ved terminalerne med noget ledende materiale.**
 - (2) **Undgå at opbevare akkuen i en beholder sammen med andre genstande af metal, for eksempel søm, mønter og lignende.**
 - (3) **Udsæt ikke akkuen for vand eller regn.** Kortslutning af akkuen kan forårsage en kraftig øgning af strømmen, overophedning, mulige forbrændinger og endog værktøjstop.
6. **Opbevar ikke værktøjet og akkuen på et sted, hvor temperaturen kan nå eller overstige 50 °C.**
7. **Lad være med at brænde akkuen, selv ikke i tilfælde, hvor den har lidt alvorlig skade eller er fuldstændig udtjent.** Akkuen kan eksplodere, hvis man forsøger at brænde den.
8. **Lad være med at brænde akkuen eller udsætte den for stød.**
9. **Anvend ikke en beskadiget akku.**
10. **De indbyggede litium-ion-batterier er underlagt lovkrav vedrørende farligt gods.** Ved kommerciel transport, f.eks. af tredjeparts transportselskaber, skal særlige krav til forpakning og mærkning overholdes. Ved forberedelse af udstyret til forsendelse skal du kontakte en ekspert i farligt gods. Overhold også eventuel mere detaljeret national lovgivning. Tape eller tildæk åbne kontakter, og pak batteriet på en måde, så det ikke kan flytte sig rundt i pakningen.
11. **Følg de lokale love vedrørende bortskaffelsen af batterier.**

GEM DENNE BRUGSANVISNING.

⚠️ FORSIGTIG: Brug kun originale batterier fra Makita. Brug af uoriginale Makita-batterier, eller batterier som er blevet ændret, kan muligvis medføre brud på batteriet, hvilket kan forårsage brand, personskade eller beskadigelse. Det ugyldiggør også Makita-garantien for Makita-maskinen og opladeren.

Tips til opnåelse af maksimal akku-levetid

1. **Oplad akkuen, inden den er helt afladet. Stop altid værktøjet, og oplad akkuen, hvis De bemærker, at værktøjeffekten er aftagende.**
2. **Genoplad aldrig en fuldt opladet akku. Overopladning vil afkorte akkuens levetid.**
3. **Oplad akkuen ved stuetemperatur ved 10 °C - 40 °C. Lad altid en varm akku få tid til at køle af, inden den oplades.**
4. **Oplad akkuen, hvis De ikke skal bruge den i længere tid (mere end seks måneder).**

FUNKTIONSBESKRIVELSE

⚠️ FORSIGTIG: Sørg altid for at maskinen er slukket, og at akkuen er taget ud, før der udføres justering eller kontrol af funktioner på maskinen.

Isætning eller fjernelse af akkuen

⚠️ FORSIGTIG: Sluk altid for værktøjet, før De monterer eller fjerner akkuen.

⚠️ FORSIGTIG: Hold værktøjet og akkuen fast ved montering eller fjernelse af akkuen. Hvis De ikke holder værktøjet og akkuen fast, kan de glide ud af hænderne på Dem og forårsage beskadigelse af værktøjet og akkuen eller personskade.

► **Fig.1:** 1. Rød indikator 2. Knap 3. Akku

Akkuen fjernes ved, at De trækker den ud af værktøjet, idet De skyder knappen på forsiden af akkuen i stilling.

Akkuen monteres ved, at De sætter tungen på akkuen ud for noten i kabinettet og lader den glide på plads. Sæt den hele vejen ind, så den låses på plads med et lille klik. Hvis den røde indikator på oversiden af knappen er synlig, betyder det, at den ikke er tilstrækkeligt låst.

⚠️ FORSIGTIG: Monter altid akkuen helt, indtil den røde indikator ikke længere er synlig. Hvis dette ikke gøres, kan den falde ud af værktøjet ved et uheld, hvorved De selv eller personer i nærheden kan komme til skade.

⚠️ FORSIGTIG: Brug ikke magt ved montering af akkuen. Hvis akkuen ikke glider på plads uden problemer, betyder det, at den ikke sættes i på korrekt vis.

Beskyttelsessystem til værktøj/batteri

Maskinen er udstyret med et beskyttelsessystem til maskinen/batteriet. Dette system afbryder automatisk strømmen til motoren for at forlænge maskinens og batteriets levetid. Maskinen stopper automatisk under brugen, hvis maskinen eller batteriet udsættes for et af følgende forhold:

Overbelastningsbeskyttelse

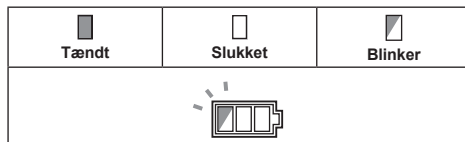
Hvis maskinen/batteriet bruges på en måde, der får den til at trække en unormalt høj strøm, stopper maskinen automatisk uden indikation. Sluk i så fald for maskinen, og stop den anvendelse, der medførte overbelastningen af maskinen. Tænd derefter for maskinen for at starte igen.

Beskyttelse mod overophedning

Hvis maskinen/batteriet er overophedet, stopper maskinen automatisk. Lad i så fald maskinen/batteriet køle ned, før der tændes for maskinen igen.

Beskyttelse mod overafledning

Hvis batterikapaciteten er utilstrækkelig, stopper maskinen automatisk, og akku-indikatoren viser følgende tilstand. Tag i så fald batteriet ud af maskinen, og lad batteriet op.






Indikation af den resterende batteriladning

Kun til akkuer med indikatoren

► **Fig.2:** 1. Indikatorlamper 2. Kontrolknap

Tryk på kontrolknappen på akkuen for at få vist den resterende batteriladning. Indikatorlampen lyser i nogle sekunder.

Indikatorlamper			Resterende ladning
 Tændt	 Slukket	 Blinker	
■ ■ ■ ■			75% til 100%
■ ■ ■ □			50% til 75%
■ ■ □ □			25% til 50%
■ □ □ □			0% til 25%
▣ □ □ □			Genoplad batteriet.
■ ■ □ □			Der er muligvis fejl i batteriet.
□ □ ■ ■			

BEMÆRK: Afhængigt af brugsforholdene og den omgivende temperatur kan indikationen afvige en smule fra den faktiske ladning.

Indikation af den resterende batteriladning

Landespecifikt

Hvis du enten trykker på afbryderknappen eller skubber på kontaktelelementet, viser akku-indikatoren den resterende batterikapacitet.

► **Fig.3:** 1. Batteriindikator

Den resterende batteriladning vises som i følgende tabel.

Status på batteriindikator			Resterende batteriladning
Tændt	Slukket	Blinker	
			50% til 100%
			20% til 50%
			0% til 20%
			Genopladd batteriet

Afbryderlåseknop

⚠FORSIGTIG: Inden akkuen sættes i maskinen, bør De altid kontrollere, at afbryderknappen fungerer korrekt, og returnerer til "OFF"-positionen, når den slippes.

⚠FORSIGTIG: Når maskinen ikke er i brug, skal du trykke på afbryderlåseknappen fra B-siden for at låse afbryderknappen fast i til-stillingen.

► **Fig.4:** 1. Afbryderlåseknop 2. Afbryderknop

► **Fig.5**

En afbryderlåseknop forhindrer, at der trykkes på afbryderknappen ved et uheld.

Tryk på afbryderlåseknappen fra A-siden for at trykke på afbryderknappen.

Tryk altid afbryderlåseknappen ind fra B-siden efter brug.

Justering af dybden for idrivning af stifter

⚠ADVARSEL: Sørg altid for, at du ikke har fingrene på afbryderknappen eller kontaktelelementet, og at akkuen er taget ud, før du justerer dybden for idrivning af stifter.

Dybden for idrivning af stifter kan justeres på denne stiftepistol. Drej på justeringsmekanismen for at justere dybden for idrivning af stifter. Dybden for idrivning af stifter er størst, når justeringsmekanismen er drejet helt i A-retningen som vist på figuren. Den bliver mindre, når justeringsmekanismen drejes i B-retningen. Dybden kan maksimalt justeres 1,5 mm.

► **Fig.6:** 1. Justeringsmekanisme

► **Fig.7:** 1. For dyb 2. Korrekt 3. For lav

Tænding af lampen

⚠FORSIGTIG: Kig aldrig direkte på lyskilden. Lad ikke lyset falde i Deres øjne.

Tryk på afbryderknappen, eller aktiver kontaktelelementet for at tænde lampen. Lampen lyser, så længe der trykkes på afbryderknappen, eller kontaktelelementet er aktiveret. Lampen slukkes ca. 10 sekunder efter, at afbryderknappen og kontaktelelementet slippes.

► **Fig.8:** 1. Lampe

BEMÆRK: Brug en tør klud til at tørre snavset af lampens linse. Pas på ikke at ridse lampens linse, da dette muligvis kan dæmpe belysningen.

BEMÆRK: Selv om lampen lyser, når den resterende batteriladning bliver lav, kan stiftepistolen muligvis ikke affyre stifter. Oplad i så fald akkuen.

SAMLING

⚠FORSIGTIG: Sørg altid for, at du ikke har fingrene på afbryderknappen eller kontaktelelementet, og at akkuen er taget ud, før du udfører nogen form for arbejde på stiftepistolen.

Isætning af stifter i stiftepistolen

⚠FORSIGTIG: Sørg altid for, at akkuen er fjernet, før du sætter stifter i stiftepistolen. Utilsigtet affyring kan medføre personskaade og tingskaade.

⚠FORSIGTIG: Skub ikke pludseligt på magasinet i stiftepistolen, når der er isat stifter. Hvis du taber stifter ved et uheld, kan det medføre personskaade, især når der arbejdes på højtliggende steder.

⚠FORSIGTIG: Isæt stifter i den rigtige retning. Isætning i den forkerte retning kan medføre tidligt slid på drevenheden og beskaadigelse af de øvrige dele.

⚠FORSIGTIG: Brug ikke stifter, som er deformeret. Brug stifter, der er angivet i denne brugsanvisning. Brug af andre stifter end de angivne kan medføre, at stifter sidder fast, og at stiftepistolen går i stykker.

1. Fjern akkuen.
2. Tryk på låsehåndtaget, og skyd magasinet bagud.
3. Juster stiftespidserne i forhold til rillerne i bunden af magasinet, og tryk hele stifterne mod drevguiden. (Sørg omhyggeligt for at sætte stifterne i den rigtige retning.)

- **Fig.9:** 1. Stifter 2. Magasin 3. Låsehåndtag
4. Drevguide

4. Efter isætning af stifter skal du skubbe magasinet på plads, indtil det klikker.

Følg installationsprocedurerne i omvendt rækkefølge for at fjerne stifter.

Spidsadapter

⚠FORSIGTIG: Sørg altid for, at du ikke har fingrene på afbryderknappen eller kontaktelementet, og at akkuen er taget ud, før du monterer spidsadapteren.

Brug spidsadapteren, når du driver stifter i skrøbelige overflader. Monter spidsadapteren ved at placere den over drevguidens dæksel, så fremspringet i spidsadapteren passer til fordybningen i drevguidens dæksel. Du kan opbevare spidsadapteren i holderen bag på magasinet for at forhindre, at den bliver væk.

- **Fig.10:** 1. Fordybning 2. Fremspring
3. Spidsadapter 4. Holder

Krog

⚠FORSIGTIG: Hæng aldrig krogen fra livremmen. Hvis du taber stiftepistolen, fordi krogen kommer ud af position ved et uheld, kan det medføre utilsigtet affyring og resultere i personskade.

- **Fig.11**

Krogen er praktisk til midlertidig ophængning af maskinen. Den kan monteres i begge sider af maskinen. Krogen monteres ved at indsætte den i en rille i maskinhuset på en af siderne og derefter fastgøre den med en skrue. Den fjernes ved at løsne skruen og tage den ud.

- **Fig.12:** 1. Rille 2. Krog 3. Skrue

Opbevaring af unbrakonøgle

Når unbrakonøglen ikke bruges, skal du opbevare den som vist i figuren for at forhindre, at den bliver væk.

- **Fig.13:** 1. Unbrakonøgle

ANVENDELSE

Test af sikkerhedssystemet

⚠ADVARSEL: Sørg for, at alle sikkerhedssystemer er i korrekt funktionsstand inden anvendelsen. Hvis du ikke gør dette, kan det medføre personskade.

- **Fig.14:** 1. Afbryderlåseknap 2. Afbryderknap
3. Kontaktelement 4. Magasin

Test sikkerhedssystemer for eventuelle fejl før brugen på følgende måde.

1. Fjern stifterne fra maskinen, og lad magasinet være åbent.
2. Indsæt akkuen, og frigør afbryderlåsen.

3. Tryk kun på afbryderknappen uden at berøre kontaktelementet mod materialet.

4. Tryk kun kontaktelementet mod materialet uden at trykke på afbryderknappen.

Hvis maskinen fungerer i tilfælde 3 og 4 ovenfor, er der fejl i sikkerhedssystemerne. Hold øjeblikkeligt op med at bruge maskinen, og henvend dig til det lokale servicecenter.

Idrivning af stifter

⚠ADVARSEL: Fortsæt med at sætte kontaktelementet fast mod materialet, indtil stiften er drevet helt ind. Utilsigtet affyring kan forårsage personskade.

1. Slip afbryderlåsen.
2. Placer kontaktelementet fladt mod materialet.
3. Tryk afbryderknappen helt ind for at idrive en stift.
4. For at idrive den næste stift skal du fjerne fingeren fra afbryderknappen én gang og derefter gentage trin 2 og 3 ovenfor.

- **Fig.15:** 1. Afbryderknap 2. Kontaktelement

Du kan også idrive stifter, mens du trækker maskinen til det næste område, ved at presse kontaktelementet mod materialet og trykke på afbryderknappen.

- **Fig.16**

Hvis hovedet på stiften forbliver over overfladen af arbejdsemnet, skal du indføre stiften, idet stiftepistolens hoved holdes fast mod arbejdsemnet.

- **Fig.17**

BEMÆRK: Hvis hovedet på stiften stadig er over overfladen af arbejdsemnet, selvom du holder stiftepistolens hoved, er materialet muligvis ikke egnet til stiftepistolen. Hvis du fortsætter med at bruge stiftepistolen på et sådant materiale, kan det medføre beskadigelse af stiftepistolens drevenhed og/eller fastklemning i stiftepistolen.

Mekanisme til forhindring af affyring, når maskinen er tom

⚠ADVARSEL: Sørg altid for, at du ikke har fingrene på afbryderknappen eller kontaktelementet, og at akkuen er taget ud, før du sætter stifter i stiftepistolen.

Når antallet af resterende stifter i magasinet er 0 - 3 styk, kan afbryderknappen ikke længere trykkes ned. På dette tidspunkt skal du sætte et nyt bånd med stifter i magasinet, hvorefter afbryderknappen kan trykkes ned igen.

BEMÆRK: Når der idrives stifter af en anden længde, kort efter at anordningen til forhindring af affyring uden stifter er aktiveret, skal du sætte et nyt bånd med stifter i magasinet og drive alle de tidligere stifter, der er tilbage, i affaldsmateriale.

Kontrol af tilbageværende stifter

Du kan kontrollere mængden af tilbageværende stifter via kontrolvinduet.

Den røde indikator flytter sig mod fastgørelsesåbningen, efterhånden som antallet af tilbageværende stifter bliver mindre.

► **Fig.18:** 1. Kontrolvindue 2. Indikator

Fjernelse af fastklemte stifter

⚠ ADVARSEL: Sørg altid for, at akkuen er fjernet, før du fjerner fastklemte stifter.

Tag de stifter ud, der stadig sidder i magasinet.

Fjern de tre skruer, der fastgør drevguidens dæksel, ved hjælp af unbrakonøglen.

Tag de fastklemte stifter ud fra styrerillen til stifter, der vises.

Hvis det er svært at fjerne de fastklemte stifter, skal du fjerne yderligere to skruer, der fastgør kontaktoppens dæksel, ved hjælp af unbrakonøglen. Fjern dem derefter.

► **Fig.19:** 1. Drevguidens dæksel 2. Skruer
3. Kontaktoppens dæksel

VEDLIGEHOJDELSE

⚠ FORSIGTIG: Vær altid sikker på, at værktøjet er slukket, og at akkuen er taget ud, inden De begynder at udføre inspektion eller vedligeholdelse.

BEMÆRKNING: Anvend aldrig benzin, rensbenzin, fortynder, alkohol og lignende. Det kan medføre misfarvning, deformering eller revner.

For at opretholde produktets SIKKERHED og PALIDELIGHED må reparation, vedligeholdelse eller justering kun udføres af et autoriseret Makita servicecenter eller fabrikksservicecenter med anvendelse af Makita reservedele.

EKSTRAUDSTYR

⚠ FORSIGTIG: Det følgende tilbehør og ekstraudstyr er anbefalet til brug med Deres Makita maskine, der er beskrevet i denne brugsanvisning. Anvendelse af andet tilbehør eller ekstraudstyr kan udgøre en risiko for personskade. Anvend kun tilbehør og ekstraudstyr til det beskrevne formål.

Hvis De behøver hjælp ved valg af tilbehør eller ønsker yderligere informationer, bedes De kontakte Deres lokale Makita servicecenter.

- Stifter
- Original Makita-akku og oplader
- Sikkerhedsbriller

BEMÆRK: Nogle ting på denne liste kan være inkluderet i værktøjspakken som standardtilbehør. Det kan være forskellige fra land til land.

ΠΡΟΔΙΑΓΡΑΦΕΣ

Μοντέλο:	DPT353	
Μέγεθος βελονιών	ø0,6 mm x 15, 18, 25, 30, 35 mm	
Χωρητικότητα γεμιστήρα βελονιών	100 τεμάχια	
Διαστάσεις χωρίς γάντζο (Μ x Π x Υ)	257 mm x 79 mm x 226 mm	
Ονομαστική τάση	D.C. 18 V	
Κασέτα μπαταριών	BL 1815, BL 1815N, BL 1820, BL 1820B	BL 1830, BL 1830B, BL 1840, BL 1840B, BL 1850, BL 1850B, BL 1860B
Καθαρό βάρος	2,0 kg	2,2 kg

- Λόγω του συνεχιζόμενου προγράμματος έρευνας και ανάπτυξης, οι προδιαγραφές αυτές υπόκεινται σε αλλαγές χωρίς προειδοποίηση.
- Οι προδιαγραφές και η κασέτα μπαταριών μπορεί να διαφέρουν ανάλογα με τη χώρα.
- Βάρος, με κασέτα μπαταριών, σύμφωνα με τη διαδικασία ΕΡΤΑ 01/2003

Προοριζόμενη χρήση

Το εργαλείο προορίζεται για την τοποθέτηση βελονιών σε οικοδομικά υλικά όπως ξύλο.

Θόρυβος

Το τυπικό Α επίπεδο καταμετρημένου θορύβου καθορίζεται σύμφωνα με το EN60745:

Στάθμη ηχητικής πίεσης (L_{pA}): 76 dB (A)

Αβεβαιότητα (K): 3 dB (A)

Η ένταση θορύβου υπό συνθήκες εργασίας μπορεί να υπερβεί τα 80 dB (A).

⚠️ ΠΡΟΕΙΔΟΠΟΙΗΣΗ: Να φοράτε ωτοασπίδες.

Κραδασμός

Η ολική τιμή δόνησης καθορίζεται σύμφωνα με το EN60745:

Εκπομπή δόνησης (a_{h1}): 2,5 m/s² ή λιγότερο

Αβεβαιότητα (K): 1,5 m/s²

ΠΑΡΑΤΗΡΗΣΗ: Η δηλωμένη τιμή εκπομπής κραδασμών έχει μετρηθεί σύμφωνα με την πρότυπη μέθοδο δοκιμής και μπορεί να χρησιμοποιηθεί για τη σύγκριση ενός εργαλείου με άλλο.

ΠΑΡΑΤΗΡΗΣΗ: Η δηλωμένη τιμή εκπομπής κραδασμών μπορεί να χρησιμοποιηθεί και στην προκαταρκτική αξιολόγηση έκθεσης.

⚠️ ΠΡΟΕΙΔΟΠΟΙΗΣΗ: Η εκπομπή κραδασμών κατά τη χρήση του ηλεκτρικού εργαλείου σε πραγματικές συνθήκες μπορεί να διαφέρει από τη δηλωμένη τιμή εκπομπής ανάλογα με τον τρόπο χρήσης του εργαλείου.

⚠️ ΠΡΟΕΙΔΟΠΟΙΗΣΗ: Φροντίστε να λάβετε τα κατάλληλα μέτρα προστασίας του χειριστή βάσει ενός υπολογισμού της έκθεσης σε πραγματικές συνθήκες χρήσης (λαμβάνοντας υπόψη όλες τις συνιστώσες του κύκλου λειτουργίας όπως τους χρόνους που το εργαλείο είναι εκτός λειτουργίας και όταν βρίσκεται σε αδρανή λειτουργία πέραν του χρόνου ενεργοποίησης).

Δήλωση συμμόρφωσης ΕΚ

Μόνο για χώρες της Ευρώπης

Η δήλωση συμμόρφωσης ΕΚ περιλαμβάνεται ως Παράρτημα Α στο παρόν εγχειρίδιο οδηγιών.

ΠΡΟΕΙΔΟΠΟΙΗΣΕΙΣ ΑΣΦΑΛΕΙΑΣ

Γενικές προειδοποιήσεις ασφαλείας για το ηλεκτρικό εργαλείο

⚠️ ΠΡΟΕΙΔΟΠΟΙΗΣΗ: Διαβάστε όλες τις προειδοποιήσεις ασφάλειας, οδηγίες, εικονογραφήσεις και προδιαγραφές που παρέχονται με αυτό το ηλεκτρικό εργαλείο. Η μη τήρηση όλων των οδηγιών που αναγράφονται κατωτέρω μπορεί να καταλήξει σε ηλεκτροπληξία, πυρκαγιά ή/και σοβαρό τραυματισμό.

Φυλάξτε όλες τις προειδοποιήσεις και τις οδηγίες για μελλοντική παραπομπή.

Στις προειδοποιήσεις, ο όρος «ηλεκτρικό εργαλείο» αναφέρεται σε ηλεκτρικό εργαλείο που τροφοδοτείται από την κύρια παροχή ηλεκτρικού ρεύματος (με ηλεκτρικό καλώδιο) ή σε ηλεκτρικό εργαλείο που τροφοδοτείται από μπαταρία (χωρίς ηλεκτρικό καλώδιο).

Προειδοποιήσεις ασφαλείας για το φορητό καρφωτικό

1. **Να υποθέτετε πάντα ότι το εργαλείο περιέχει συνδετήρες.** Ο απρόσπεκτος χειρισμός του καρφωτικού μπορεί να καταλήξει σε μη αναμενόμενη πυροδότηση συνδετήρων και τραυματισμό.
2. **Μην στρέφετε το εργαλείο προς το μέρος σας ή προς οποιοδήποτε άλλο άτομο εκεί κοντά.** Η μη αναμενόμενη πυροδότηση προκαλεί εκτίναξη του συνδετήρα προκαλώντας τραυματισμό.

3. Μην ενεργοποιείτε το εργαλείο εκτός εάν έχετε τοποθετήσει το εργαλείο σταθερά σε επαφή με το τεμάχιο εργασίας. Εάν το εργαλείο δεν έχει τοποθετηθεί σταθερά σε επαφή με το τεμάχιο εργασίας, ο συνδετήρας μπορεί να εκτραπεί από το στόχο του.
4. Αποσυνδέστε το εργαλείο από την πηγή τροφοδοσίας όταν παρουσιαστεί εμπλοκή του συνδετήρα μέσα στο εργαλείο. Όταν επιχειρείτε να αφαιρέσετε έναν μπλοκαρισμένο συνδετήρα, το καρφωτικό μπορεί να ενεργοποιηθεί τυχαία αν είναι συνδεδεμένο.
5. Να είστε προσεκτικοί κατά την αφαίρεση ενός μπλοκαρισμένου συνδετήρα. Ο μηχανισμός μπορεί να βρίσκεται υπό συμπίεση και ο συνδετήρας να εκπινάσθαι βίαια όταν επιχειρήσετε να ελευθερώσετε ένα μπλοκαρισμένο εργαλείο.
6. Μην χρησιμοποιείτε αυτό το καρφωτικό για τη στρέψη ηλεκτρικών καλωδίων. Δεν είναι σχεδιασμένο για την τοποθέτηση ηλεκτρικών καλωδίων και μπορεί να προκαλέσει βλάβη στη μόνωση των ηλεκτρικών καλωδίων με αποτέλεσμα να προκληθεί ηλεκτροπληξία ή κίνδυνος πυρκαγιάς.
7. Φοράτε πάντοτε γυαλιά ασφαλείας για να προστατεύετε τα μάτια σας από τη σκόνη ή από τραυματισμό από τους συνδετήρες.
▲ΠΡΟΕΙΔΟΠΟΙΗΣΗ: Ο εργοδότης οφείλει να επιβάλλει τη χρήση μέσων προστασίας για τα μάτια στους χειριστές του εργαλείου και σε άλλα άτομα στην άμεση περιοχή εργασίας.
8. Να κρατάτε τα χέρια και τα πόδια σας μακριά από την περιοχή της θύρας εκκίνησης.
9. Να ακολουθείτε τις οδηγίες για τη λίπανση και την αλλαγή των εξαρτημάτων.
10. Να βγάζετε πάντα την κασέτα μπαταριών πριν την τοποθέτηση συνδετήρων, τη ρύθμιση, τον έλεγχο, τη συντήρηση ή μετά το τέλος της λειτουργίας.
11. Σιγουρευτείτε ότι δεν βρίσκεται κανείς κοντά σας πριν από τη λειτουργία. Μην προσπαθήσετε ποτέ να καρφώσετε συνδετήρες ταυτόχρονα από την εσωτερική και την εξωτερική πλευρά του τοίχου. Οι συνδετήρες μπορεί να διαπεράσουν τον τοίχο ή/και να πεταχτούν βίαια, προκαλώντας πολύ σοβαρό κίνδυνο.
12. Προσέχετε το στήριγμα των ποδιών σας και διατηρείτε την ισορροπία σας με το εργαλείο. Βεβαιωθείτε ότι δεν υπάρχει κανείς από κάτω όταν εργάζεστε σε υψηλές τοποθεσίες.
13. Ποτέ μη χρησιμοποιήσετε καρφωτικά πιστόλια που φέρουν την ένδειξη «Μη χρησιμοποιείτε σε σκαλωσιές, σκάλες, κτλ.» για ειδικές εφαρμογές όπως για παράδειγμα:
 - όταν κατά την αλλαγή από μια τοποθεσία καρφώματος σε μια άλλη χρησιμοποιούνται σκαλωσιές, σκαλοπάτια, σκάλες ή άλλες παρόμοιες κατασκευές, π.χ. σανίδες σκεπών,
 - κατά το κλείσιμο κιβωτίων ή τελαρών,
 - κατά την εφαρμογή συστημάτων ασφάλειας μεταφορών π.χ. σε οχήματα και βαγόνια.
14. Να ελέγχετε προσεκτικά τους τοίχους, τις οροφές, τα πατώματα, τις στέγες και παρόμοια για να αποφεύγετε πιθανή ηλεκτροπληξία, διαρροή αερίου, εκρήξεις, κτλ. που προκαλούνται από την τοποθέτηση συρραπτικών σε ηλεκτροφόρα καλώδια, αγωγούς ή σωλήνες αερίων.
15. Να χρησιμοποιείτε μόνο συνδετήρες που υποδεικνύονται σε αυτό το εγχειρίδιο. Εάν χρησιμοποιήσετε άλλους συνδετήρες, μπορεί να προκληθεί δυσλειτουργία του εργαλείου.
16. Μην παραβιάζετε το εργαλείο και μην προσπαθείτε να το χρησιμοποιείτε για άλλο σκοπό εκτός από το κάρφωμα συνδετήρων.
17. Μη θέτετε το εργαλείο σε λειτουργία χωρίς συνδετήρες. Συντομεύει τη διάρκεια ζωής του εργαλείου.
18. Να σταματάτε αμέσως τις εργασίες καρφώματος εάν παρατηρήσετε ότι κάτι δεν πάει καλά ή είναι ασυνήθιστο για το εργαλείο.
19. Μην συρράφετε ποτέ πάνω σε υλικά που μπορεί να επιτρέψουν στο συνδετήρα να τα διατρυπήσει και να εκτοξευτεί μέσα από αυτά.
20. Μην ενεργοποιείτε ποτέ τη σκανδάλη διακόπτη και το στοιχείο επαφής ταυτόχρονα προτού είστε έτοιμοι για τη συρραφή τεμαχίων εργασίας. Αφήστε το τεμάχιο εργασίας να ελευθερώσει το στοιχείο επαφής. Μην ακυρώσετε ποτέ τη λειτουργία του με το να ασφαλίσετε το στοιχείο επαφής πίσω ή με το να τον πατάτε με το χέρι.
21. Μην παραβιάζετε ποτέ το στοιχείο επαφής. Να ελέγχετε συχνά το στοιχείο επαφής για σωστή λειτουργία.
22. Να αφαιρείτε πάντα τους συνδετήρες από το εργαλείο όταν δεν το χρησιμοποιείτε.

ΦΥΛΑΞΤΕ ΤΙΣ ΟΔΗΓΙΕΣ ΑΥΤΕΣ.

▲ΠΡΟΕΙΔΟΠΟΙΗΣΗ: ΜΗΝ επιτρέψετε το βαθμό άνεσης ή εξοικείωσης με το προϊόν (λόγω επανειλημμένης χρήσης) να αντικαταστήσει την αυστηρή τήρηση των κανόνων ασφαλείας του παρόντος εργαλείου. Η ΛΑΘΑΣΜΕΝΗ ΧΡΗΣΗ ή η αμέλεια να ακολουθήσετε τους κανόνες ασφαλείας που διατυπώνονται στο παρόν εγχειρίδιο οδηγιών μπορεί να προκαλέσει σοβαρό προσωπικό τραυματισμό.

Σημαντικές οδηγίες ασφάλειας για κασέτα μπαταριών

1. Πριν χρησιμοποιήσετε την κασέτα μπαταριών, διαβάστε όλες τις οδηγίες και σημειώσεις προφύλαξης (1) στον φορτιστή μπαταριών, (2) στην μπαταρία και (3) στο προϊόν που χρησιμοποιεί την μπαταρία.
2. Μην αποσυναρμολογήσετε την κασέτα μπαταριών.
3. Εάν ο χρόνος λειτουργίας έχει γίνει υπερβολικά βραχύς, σταματήστε τη λειτουργία αμέσως. Αλλιώς, μπορεί να έχει ως αποτέλεσμα κίνδυνο υπερθέρμανσης, πιθανά εγκαύματα ή ακόμη και έκρηξη.
4. Εάν ηλεκτρολύτης μπει στα μάτια σας, ξεπλύνετε τα με καθαρό νερό και ζητήστε ιατρική φροντίδα αμέσως. Αλλιώς, μπορεί να έχει ως αποτέλεσμα απώλεια της όρασης σας.
5. Μη βραχυκυκλώνετε την κασέτα μπαταριών:
 - (1) Μην αγγίζετε τους πόλους με οτιδήποτε αγώγιμο υλικό.
 - (2) Αποφεύγετε να αποθηκεύετε την κασέτα μπαταριών μέσα σε ένα δοχείο μαζί με άλλα μεταλλικά αντικείμενα όπως καρφιά, νομίσματα, κλπ.

(3) Μην εκθέτετε την κασέτα μπαταριών στο νερό ή στη βροχή.

Ένα βραχυκύκλωμα μπαταρίας μπορεί να προκαλέσει μεγάλη ροή ρεύματος, υπερθέρμανση, πιθανά εγκαύματα ακόμη και σοβαρή βλάβη.

- Μην αποθηκεύετε το εργαλείο και την κασέτα μπαταριών σε τοποθεσίες όπου η θερμοκρασία μπορεί να φτάσει ή να ξεπεράσει τους 50°C.
- Μην καίτε την κασέτα μπαταριών ακόμη και εάν έχει σοβαρή ζημιά ή είναι εντελώς φθαρμένη. Η κασέτα μπαταριών μπορεί να εκραγεί στη φωτιά.
- Προσέχετε να μη ρίξετε κάτω ούτε να χτυπήσετε την μπαταρία.
- Μη χρησιμοποιείτε μπαταρία που έχει υποστεί ζημιά.
- Οι μπαταρίες ιόντων λιθίου που περιέχονται υπόκεινται στις απαιτήσεις της νομοθεσίας για επικίνδυνα αγαθά.
Για εμπορικές μεταφορές, για παράδειγμα από τρίτα μέρη, πρέπει να τηρούνται οι διαμεταφορείς, οι ειδικές απαιτήσεις στη συσκευασία και η επισήμανση.
Για προετοιμασία του στοιχείου που αποστέλλεται, είναι απαραίτητο να συμβουλευτείτε έναν ειδικό για επικίνδυνα υλικά. Επίσης, τηρήστε τους πιθανούς, πιο αναλυτικούς εθνικούς κανονισμούς. Καλύψτε με αυτοκόλλητη ταινία ή κρύψτε τις ανοικτές επαφές και συσκευάστε την μπαταρία με τρόπο που να μην μπορεί να μετακινείται μέσα στη συσκευασία.
- Τηρήστε τους τοπικούς κανονισμούς που σχετίζονται με τη διάθεση της μπαταρίας.

ΦΥΛΑΞΤΕ ΤΙΣ ΔΙΑΗΓΙΕΣ ΑΥΤΕΣ.

▲ΠΡΟΣΟΧΗ: Να χρησιμοποιείτε μόνο γνήσιες μπαταρίες της Makita. Η χρήση μη γνήσιων μπαταριών Makita, ή μπαταριών που έχουν τροποποιηθεί, μπορεί να έχει ως αποτέλεσμα τη ρήξη της μπαταρίας, προκαλώντας πυρκαγιά, προσωπικό τραυματισμό και βλάβη. Επίσης, θα ακυρωθεί η εγγύηση της Makita για το εργαλείο και φορτιστή Makita.

Συμβουλές για τη διατήρηση της μέγιστης ζωής μπαταρίας

- Φορτίζετε την κασέτα μπαταριών πριν από την πλήρη αποφόρτιση της. Πάντοτε να σταματάτε τη λειτουργία του εργαλείου και να φορτίζετε την κασέτα μπαταριών όταν παρατηρείτε μειωμένη ισχύ εργαλείου.
- Ποτέ μην επαναφορτίζετε μια πλήρως φορτισμένη κασέτα μπαταριών. Η υπερφόρτιση μειώνει την ωφέλιμη ζωή της μπαταρίας.
- Να φορτίζετε την κασέτα μπαταριών σε θερμοκρασία δωματίου, δηλαδή στους 10°C έως 40°C. Αφήστε μια θερμή κασέτα μπαταριών να κρυώσει πριν την φορτίσετε.
- Να φορτίζετε την κασέτα μπαταριών εάν δεν τη χρησιμοποιείτε για μεγάλη χρονική περίοδο (περισσότερο από έξι μήνες).

ΠΕΡΙΓΡΑΦΗ ΛΕΙΤΟΥΡΓΙΑΣ

▲ΠΡΟΣΟΧΗ: Να φροντίζετε πάντα για την απενεργοποίηση του εργαλείου και την αφαίρεση της κασέτας μπαταρίας, πριν από οποιαδήποτε ρύθμιση ή έλεγχο της λειτουργίας του.

Τοποθέτηση ή αφαίρεση της κασέτας μπαταριών

▲ΠΡΟΣΟΧΗ: Να σβήνετε πάντα το εργαλείο πριν τοποθετήσετε ή αφαιρέσετε την κασέτα μπαταριών.

▲ΠΡΟΣΟΧΗ: Κρατήστε το εργαλείο και την κασέτα μπαταριών σταθερά κατά την τοποθέτηση ή αφαίρεση της κασέτας μπαταριών. Εάν δεν κρατάτε το εργαλείο και την κασέτα μπαταριών σταθερά μπορεί να γλιστρήσουν από τα χέρια σας και να προκληθεί βλάβη στο εργαλείο και την κασέτα μπαταριών και προσωπικός τραυματισμός.

► **Εικ. 1:** 1. Κόκκινη ένδειξη 2. Κουμπί 3. Κασέτα μπαταριών

Για να αφαιρέσετε την κασέτα μπαταριών, ολισθήστε την από το εργαλείο ενώ σύρετε το κουμπί στο μπροστινό μέρος της κασέτας.

Για να τοποθετήσετε την κασέτα μπαταριών, ευθυγραμμίστε τη γλώσσα στην κασέτα μπαταριών με την αύλακα στην υποδοχή και ολισθήστε τη στη θέση της. Να την τοποθετείτε πλήρως μέχρι να ασφαλίσει στη θέση της, γεγονός που υποδεικνύεται με ένα χαρακτηριστικό ήχο. Εάν μπορείτε να δείτε την κόκκινη ένδειξη στην επάνω πλευρά του κουμπιού, δεν έχει κλειδώσει τελείως.

▲ΠΡΟΣΟΧΗ: Να τοποθετείτε πάντα την κασέτα μπαταριών πλήρως μέχρι να μη βλέπετε την κόκκινη ένδειξη. Εάν δεν ασφαλιστεί, μπορεί να πέσει από το εργαλείο τυχαία, προκαλώντας σωματική βλάβη σε εσάς ή κάποιον άλλο γύρω σας.

▲ΠΡΟΣΟΧΗ: Μην τοποθετείτε την κασέτα μπαταριών με βία. Εάν η κασέτα δεν ολισθαίνει με ευκολία, τότε δεν έχει τοποθετηθεί κατάλληλα.

Σύστημα προστασίας εργαλείου/ μπαταρίας

Το εργαλείο είναι εξοπλισμένο με σύστημα προστασίας εργαλείου/μπαταρίας. Αυτό το σύστημα αποκόπτεi αυτόματα την ισχύ προς το μοτέρ για να παραταθεί η διάρκεια λειτουργίας του εργαλείου και της μπαταρίας. Το εργαλείο σταματάει αυτόματα κατά τη διάρκεια της λειτουργίας εάν το εργαλείο ή η μπαταρία βρεθούν κάτω από τις παρακάτω συνθήκες:

Προστασία υπερφόρτωσης

Όταν το εργαλείο/μπαταρία λειτουργεί με τρόπο ώστε να αναγκάζεται να καταναλώνει ασυνήθιστα υψηλό ρεύμα, το εργαλείο σταματάει αυτόματα χωρίς καμία ένδειξη. Σε αυτή την κατάσταση, σβήστε το εργαλείο και διακόψτε την εφαρμογή που προκαλεί την υπερφόρτωση του εργαλείου. Μετά, ενεργοποιήστε το εργαλείο για επανεκκίνηση.

Προστασία υπερθέρμανσης

Όταν το εργαλείο/μπαταρία υπερθερμαίνεται, το εργαλείο σταματάει αυτόματα. Σε αυτή την κατάσταση, αφήστε τη θερμοκρασία του εργαλείου/μπαταρίας να μειωθεί πριν ενεργοποιήσετε ξανά το εργαλείο.

Προστασία υπερβολικής αποφόρτισης

Όταν η χωρητικότητα μπαταρίας δεν επαρκεί, το εργαλείο σταματάει αυτόματα και η ένδειξη μπαταρίας δείχνει την ακόλουθη κατάσταση. Σε αυτή την περίπτωση, βγάλτε την μπαταρία από το εργαλείο και φορτίστε την μπαταρία.

■	□	▒
Αναμμένες	Σβηστές	Αναβοσβήνουν

Εμφάνιση υπολειπόμενης χωρητικότητας μπαταρίας

Μόνο για κασέτες μπαταρίας με την ενδεικτική λυχνία

► **Εικ.2:** 1. Ενδεικτικές λυχνίες 2. Κουμπί ελέγχου

Πίστετε το κουμπί ελέγχου στην κασέτα μπαταριών για να υποδείξετε την υπολειπόμενη χωρητικότητα μπαταρίας. Οι ενδεικτικές λυχνίες ανάβουν για λίγα δευτερόλεπτα.

Ενδεικτικές λυχνίες			Υπολειπόμενη χωρητικότητα
■	□	▒	
Αναμμένες	Σβηστές	Αναβοσβήνουν	
■ ■ ■ ■			75% έως 100%
■ ■ ■ □			50% έως 75%
■ ■ □ □			25% έως 50%
■ □ □ □			0% έως 25%
▒ □ □ □			Φορτίστε την μπαταρία.
■ ■ □ □	↑ ↓	■ ■	Μπορεί να προέκυψε δυσλειτουργία στην μπαταρία.

ΠΑΡΑΤΗΡΗΣΗ: Ανάλογα με τις συνθήκες χρήσης και τη θερμοκρασία περιβάλλοντος, η ένδειξη μπορεί να διαφέρει λίγο από την πραγματική χωρητικότητα.

Υπόδειξη υπόλοιπης χωρητικότητας μπαταρίας

Ειδικό της χώρας

Όταν τραβήξετε τη σκανδάλη διακόπτη ή πατάτε το στοιχείο επαφής, η ένδειξη μπαταρίας δείχνει την υπολειπόμενη φόρτιση μπαταρίας.

► **Εικ.3:** 1. Ένδειξη μπαταρίας

Η υπολειπόμενη φόρτιση μπαταρίας εμφανίζεται σύμφωνα με τον ακόλουθο πίνακα.

Κατάσταση ένδειξης μπαταρίας			Υπολειπόμενη χωρητικότητα μπαταρίας
■	□	▒	
Αναμμένες	Σβηστές	Αναβοσβήνουν	
			50% έως 100%
			20% έως 50%
			0% έως 20%
			Φορτίστε την μπαταρία

Κουμπί κλειδώματος σκανδάλης

▲ ΠΡΟΣΟΧΗ: Πριν βάλετε την κασέτα μπαταρίας μέσα στο εργαλείο, να ελέγχετε πάντα να δείτε αν η σκανδάλη διακόπτης ενεργοποιείται κανονικά και επιστρέφει στη θέση «OFF» όταν ελευθερώνεται.

▲ ΠΡΟΣΟΧΗ: Όταν το εργαλείο δεν βρίσκεται σε λειτουργία, πατήστε το κουμπί κλειδώματος σκανδάλης από την πλευρά Β για να κλειδώσετε τη σκανδάλη διακόπτη στην ανενεργή θέση.

► **Εικ.4:** 1. Κουμπί κλειδώματος σκανδάλης
2. Σκανδάλη διακόπτης

► **Εικ.5**

Για να μην τραβήξετε τη σκανδάλη διακόπτη κατά λάθος, παρέχεται ένα κουμπί κλειδώματος σκανδάλης. Για να τραβήξετε τη σκανδάλη διακόπτη, πατήστε το κουμπί κλειδώματος σκανδάλης από την πλευρά Α. Μετά τη χρήση, να πατάτε πάντα προς τα μέσα το κουμπί κλειδώματος σκανδάλης από την πλευρά Β.

Ρύθμιση του βάθους καρφώματος βελονιών

▲ ΠΡΟΕΙΔΟΠΟΙΗΣΗ: Να φροντίζετε πάντα τα δάκτυλά σας να είναι μακριά από τη σκανδάλη διακόπτη και το στοιχείο επαφής, καθώς και η κασέτα μπαταριών να έχει αφαιρεθεί πριν από τη ρύθμιση του βάθους καρφώματος.

Σε αυτό το καρφωτικό βελονιών, το βάθος του καρφώματος βελονιών μπορεί να ρυθμιστεί. Για να ρυθμίσετε το βάθος καρφώματος, περιστρέψτε το ρυθμιστή. Το βάθος καρφώματος είναι το μέγιστο όταν ο ρυθμιστής έχει περιστραφεί εντελώς προς την κατεύθυνση Α που απεικονίζεται στην εικόνα. Θα γίνεται μικρότερο καθώς περιστρέψετε το ρυθμιστή στην κατεύθυνση Β. Το βάθος μπορεί να ρυθμιστεί κατά 1,5 mm το μέγιστο.

► **Εικ.6:** 1. Ρυθμιστής

► **Εικ.7:** 1. Πολύ βαθύ 2. Ισόπεδο 3. Πολύ ρηχό

Αναμμα της λάμπας

⚠ ΠΡΟΣΟΧΗ: Μην κοιτάζετε κατευθείαν μέσα στο φως ή στην πηγή φωτός.

Τραβήξτε τη σκανδάλη διακόπτη ή ενεργοποιήστε το στοιχείο επαφής για να ανάψετε τη λάμπα. Η λάμπα εξακολουθεί να είναι αναμμένη όσο τραβάτε τη σκανδάλη διακόπτη ή ενεργοποιείτε το στοιχείο επαφής. Η λάμπα σβήνει περίπου 10 δευτερόλεπτα αφού αφήσετε τη σκανδάλη διακόπτη και το στοιχείο επαφής.

► **Εικ.8:** 1. Λάμπα

ΠΑΡΑΤΗΡΗΣΗ: Χρησιμοποιήστε ένα στεγνό πανί για να σκουπίσετε τη σκόνη από το φακό της λάμπας. Προσέχετε να μη γρατζουνίσετε το φακό της λάμπας, επειδή μπορεί να μειωθεί η ένταση του φωτισμού.

ΠΑΡΑΤΗΡΗΣΗ: Ακόμη κι αν η λάμπα ανάψει όταν η υπόλοιπη ισχύς μπαταρίας γίνει χαμηλή, το καρφωτικό βελονιών μπορεί να μην καρφώσει βελόνια. Σε αυτή την περίπτωση, φορτίστε την κασέτα μπαταριών.

ΣΥΝΑΡΜΟΛΟΓΗΣΗ

⚠ ΠΡΟΣΟΧΗ: Να φροντίζετε πάντα τα δάκτυλά σας να είναι μακριά από τη σκανδάλη διακόπτη και το στοιχείο επαφής, καθώς και η κασέτα μπαταριών να έχει αφαιρεθεί πριν τη διεξαγωγή οποιωνδήποτε εργασιών στο καρφωτικό βελονιών.

Φόρτωση του καρφωτικού βελονιών

⚠ ΠΡΟΣΟΧΗ: Να ββαιώνεστε πάντα ότι έχετε βγάλει την κασέτα μπαταριών πριν φορτώσετε το καρφωτικό βελονιών. Η αθέλητη πυροδότηση μπορεί να προκαλέσει ατομικούς τραυματισμούς και ζημιά σε ιδιοκτησία.

⚠ ΠΡΟΣΟΧΗ: Μην σύρετε απότομα τον γεμιστήρα του καρφωτικού βελονιών όταν είναι φορτωμένο με βελόνια. Αν κατά λάθος ριζέτε κάτω βελόνια όταν εργάζεστε από υψηλά σημεία, μπορεί να προκαλέσετε τραυματισμούς.

⚠ ΠΡΟΣΟΧΗ: Να φορτώνετε τα βελόνια με τη σωστή κατεύθυνση. Αν φορτώσετε με τη λάθος κατεύθυνση, μπορεί να προκληθεί πρόωρη φθορά της μονάδας καρφώματος και ζημιά σε άλλα μέρη.

⚠ ΠΡΟΣΟΧΗ: Μη χρησιμοποιείτε παραμορφωμένα συνδεδεμένα βελόνια. Να χρησιμοποιείτε μόνο βελόνια που υποδεικνύονται σε αυτό το εγχειρίδιο. Η χρήση βελονιών διαφορετικών από αυτών που καθορίζονται μπορεί να προκαλέσει μπλοκάρισμα των βελονιών και σπάσιμο του καρφωτικού βελονιών.

1. Βγάλε την κασέτα μπαταριών.
2. Πατήστε το μοχλό κλειδώματος και σύρετε τον γεμιστήρα προς τα πίσω.

3. Ευθυγραμμίστε τη μύτη των βελονιών με τις εγκοπές στο κάτω μέρος του γεμιστήρα και πιέστε ολόκληρο το τμήμα των βελονιών προς τον οδηγό της μονάδας καρφώματος. (Προσέχετε ώστε να τοποθετήσετε τα βελόνια με τη σωστή κατεύθυνση).

► **Εικ.9:** 1. Βελόνια 2. Γεμιστήρας 3. Μοχλός κλειδώματος 4. Οδηγός της μονάδας καρφώματος

4. Αφού φορτώσετε βελόνια, ωθήστε τον γεμιστήρα προς τα πίσω μέχρι να ασφαλίσει.

Για να αφαιρέσετε βελόνια, ακολουθήστε τις διαδικασίες τοποθέτησης με αντίστροφη σειρά.

Προσαρμογέας ρύγχους

⚠ ΠΡΟΣΟΧΗ: Να φροντίζετε πάντα τα δάκτυλά σας να είναι μακριά από τη σκανδάλη διακόπτη και το στοιχείο επαφής, καθώς και η κασέτα μπαταριών να έχει αφαιρεθεί πριν από την τοποθέτηση του προσαρμογέα ρύγχους.

Όταν πυροδοτείτε βελόνια σε υλικό με επιφάνειες που καταστρέφονται εύκολα, να χρησιμοποιείτε τον προσαρμογέα ρύγχους. Για να τοποθετήσετε τον προσαρμογέα ρύγχους, τοποθετήστε τον πάνω από το κάλυμμα του οδηγού της μονάδας καρφώματος με τρόπο ώστε η προεξοχή στο εσωτερικό του προσαρμογέα ρύγχους να ταιριάζει με το κοίλωμα στο κάλυμμα του οδηγού της μονάδας καρφώματος.

Μπορείτε να φυλάξετε τον προσαρμογέα ρύγχους στον υποδοχέα που βρίσκεται στο πίσω άκρο του γεμιστήρα, για να μην χαθεί.

► **Εικ.10:** 1. Κοίλωμα 2. Προεξοχή 3. Προσαρμογέας ρύγχους 4. Υποδοχέας

Γάντζος

⚠ ΠΡΟΣΟΧΗ: Μην κρεμάτε το γάντζο από μια ζώνη μέσης. Αν πέσει το καρφωτικό βελονιών, γεγονός που προκαλείται επειδή ο γάντζος βγήκε από τη θέση του κατά λάθος, μπορεί να προκληθεί αθέλητη πυροδότηση και ατομικοί τραυματισμοί.

► **Εικ.11**

Ο γάντζος είναι βολικός για προσωρινό κρέμασμα του εργαλείου. Μπορεί να τοποθετηθεί σε οποιαδήποτε πλευρά του εργαλείου.

Για να τοποθετήσετε το γάντζο, βάλετε τον σε μια εγκοπή στο περιβλήμα του εργαλείου σε οποιαδήποτε πλευρά και μετά ασφαλίστε τον με μια βίδα. Για να τον αφαιρέσετε, χαλαρώστε τη βίδα και μετά αφαιρέστε τον.

► **Εικ.12:** 1. Εγκοπή 2. Γάντζος 3. Βίδα

Φύλαξη κλειδιού άλεν

Όταν δεν χρησιμοποιείται, φυλάξτε το κλειδί άλεν όπως απεικονίζεται στην εικόνα, για να μην το χάσετε.

► **Εικ.13:** 1. Κλειδί άλεν

ΛΕΙΤΟΥΡΓΙΑ

Δοκιμή του συστήματος ασφάλειας

▲ ΠΡΟΕΙΔΟΠΟΙΗΣΗ: Να βεβαιώνεστε ότι όλα τα συστήματα ασφάλειας βρίσκονται σε καλή κατάσταση πριν από την λειτουργία. Εάν δεν το κάνετε αυτό, μπορεί να προκληθούν ατομικοί τραυματισμοί.

- **Εικ.14:** 1. Κουμπί κλειδώματος σκανδάλης
2. Σκανδάλη διακόπτης 3. Στοιχείο επαφής
4. Γεμιστήρας

Δοκιμάστε τα συστήματα ασφάλειας για πιθανή βλάβη πριν τη λειτουργία όπως περιγράφεται στη συνέχεια.

1. Βγάλετε τα βελόνια από το εργαλείο και κρατήστε ανοικτό τον γεμιστήρα.
2. Τοποθετήστε την κασέτα μπαταριών και απελευθερώστε το κλειδωμα σκανδάλης.
3. Τραβήξτε μόνο τη σκανδάλη διακόπτη χωρίς να ακουμπάτε το στοιχείο επαφής επάνω στο υλικό.
4. Ακουμπήστε μόνο το στοιχείο επαφής επάνω στο υλικό χωρίς να τραβάτε τη σκανδάλη διακόπτη.

Εάν το εργαλείο λειτουργεί στις παραπάνω περιπτώσεις 3 και 4, τα συστήματα ασφάλειας είναι ελαττωματικά. Διακόψτε αμέσως τη λειτουργία του εργαλείου και απευθυνθείτε στο τοπικό σας κέντρο σέρβις.

Κάρφωμα βελονιών

▲ ΠΡΟΕΙΔΟΠΟΙΗΣΗ: Συνεχίστε να τοποθετείτε το στοιχείο επαφής σταθερά στο υλικό μέχρι το βελόνι να καρφωθεί πλήρως. Η αθέλητη πυροδότηση μπορεί να προκαλέσει ατομικούς τραυματισμούς.

1. Απελευθερώστε το κλειδωμα σκανδάλης.
2. Τοποθετήστε το στοιχείο επαφής επίπεδα επάνω στο υλικό.
3. Τραβήξτε πλήρως τη σκανδάλη διακόπτη για να καρφώσετε το βελόνι.
4. Για να καρφώσετε το επόμενο βελόνι, απελευθερώστε το δάχτυλό σας από τη σκανδάλη διακόπτη μία φορά και μετά επαναλάβετε τα βήματα 2 και 3 παραπάνω.

► **Εικ.15:** 1. Σκανδάλη διακόπτης 2. Στοιχείο επαφής

Επίσης, μπορείτε να καρφώσετε τα βελόνια όταν σύρετε το εργαλείο στην επόμενη περιοχή με το στοιχείο επαφής πατημένο επάνω στο υλικό και τραβήξετε τη σκανδάλη διακόπτη.

► **Εικ.16**

Αν η κεφαλή του βελονιού παραμένει πάνω από την επιφάνεια του τεμαχίου εργασίας, τοποθετήστε το βελόνι ενώ κρατάτε σταθερά την κεφαλή καρφωτικού βελονιών επάνω στο τεμάχιο εργασίας.

► **Εικ.17**

ΠΑΡΑΤΗΡΗΣΗ: Αν η κεφαλή του βελονιού ακόμη παραμένει πάνω από το τεμάχιο εργασίας ακόμη και όταν κρατάτε την κεφαλή του καρφωτικού βελονιών, το υλικό μπορεί να μην είναι κατάλληλο για το καρφωτικό βελονιών. Αν συνεχίσετε να χρησιμοποιείτε το καρφωτικό σε τέτοιο υλικό, μπορεί να έχει ως αποτέλεσμα ζημιά στη μονάδα καρφώματος του καρφωτικού βελονιών ή/και εμπλοκή του καρφωτικού βελονιών.

Μηχανισμός προστασίας από το κάρφωμα χωρίς συρραπτικά

▲ ΠΡΟΕΙΔΟΠΟΙΗΣΗ: Να φροντίζετε πάντα τα δάχτυλά σας να είναι μακριά από τη σκανδάλη διακόπτη και το στοιχείο επαφής, καθώς και η κασέτα μπαταριών να έχει αφαιρεθεί πριν από τη φόρτωση του καρφωτικού βελονιών.

Όταν ο αριθμός των εναπομένων βελονιών στον γεμιστήρα είναι 0 - 3 τεμάχια, η σκανδάλη διακόπτης δεν μπορεί πλέον να τραβηχθεί. Αυτή τη στιγμή, τοποθετήστε μια καινούρια λωρίδα βελονιών στον γεμιστήρα και θα μπορείτε να τραβήξετε ξανά τη σκανδάλη διακόπτη.

ΠΑΡΑΤΗΡΗΣΗ: Όταν πυροδοτείτε βελόνια με διαφορετικό μήκος λίγο μετά την ενεργοποίηση της διάταξης προστασίας από το κάρφωμα χωρίς βελόνια, τοποθετήστε μια καινούρια λωρίδα βελονιών στον γεμιστήρα και πυροδοτήστε σε άχρηστο υλικό όλα τα προηγούμενα βελόνια που έχουν απομείνει.

Έλεγχος των εναπομένων βελονιών

Μπορείτε να ελέγξετε την ποσότητα των εναπομένων βελονιών από το παράθυρο ελέγχου. Η κόκκινη ένδειξη μετακινείται προς το άνοιγμα καρφώματος όταν η ποσότητα των εναπομένων βελονιών γίνεται μικρότερη.

► **Εικ.18:** 1. Παράθυρο ελέγχου 2. Ένδειξη

Αφαίρεση μπλοκαρισμένων βελονιών

▲ ΠΡΟΕΙΔΟΠΟΙΗΣΗ: Να βεβαιώνεστε πάντα ότι έχετε βγάλει την κασέτα μπαταριών πριν αφαιρέσετε τα μπλοκαρισμένα βελόνια.

Βγάλετε τα βελόνια που παραμένουν εντός του γεμιστήρα.

Με το κλειδί άλεν αφαιρέστε τις τρεις βίδες που ασφαλίζουν το κάλυμμα του οδηγού της μονάδας καρφώματος. Βγάλετε τα μπλοκαρισμένα βελόνια από την εγκοπή του οδηγού βελονιών που έχει εμφανιστεί.

Όταν είναι δύσκολο να βγάλετε τα μπλοκαρισμένα βελόνια, με το κλειδί άλεν αφαιρέστε ακόμη δύο βίδες που ασφαλίζουν το κάλυμμα του άνω τμήματος επαφής. Μετά, βγάλετε τα.

► **Εικ.19:** 1. Κάλυμμα του οδηγού της μονάδας καρφώματος 2. Βίδα 3. Κάλυμμα του άνω τμήματος επαφής

ΣΥΝΤΗΡΗΣΗ

⚠ ΠΡΟΣΟΧΗ: Πριν την εκτέλεση εργασιών επιθεώρησης ή συντήρησης, πάντοτε να βεβαιώνετε ότι η συσκευή απενεργοποιήθηκε και η κασέτα μπαταριών έχει αφαιρεθεί.

ΕΙΔΟΠΟΙΗΣΗ: Μην χρησιμοποιείτε ποτέ βενζίνη, πετρελαϊκό αιθέρα, διαλυτικό, αλκοόλη ή παρόμοιες ουσίες. Μπορεί να προκληθεί αποχρωματισμός, παραμόρφωση ή ρωγμές.

Για τη διατήρηση της ΑΣΦΑΛΕΙΑΣ και ΑΞΙΟΠΙΣΤΙΑΣ του προϊόντος, οι επισκευές και οποιαδήποτε άλλη εργασία συντήρησης ή ρύθμισης πρέπει να εκτελούνται από εξουσιοδοτημένα ή εργοστασιακά κέντρα εξυπηρέτησης της Makita, χρησιμοποιώντας πάντοτε ανταλλακτικά της Makita.

ΠΡΟΑΙΡΕΤΙΚΑ ΕΞΑΡΤΗΜΑΤΑ

⚠ ΠΡΟΣΟΧΗ: Αυτά τα εξαρτήματα ή προσαρτήματα συνιστώνται για χρήση με το εργαλείο Makita που περιγράφηκε στις οδηγίες αυτές. Η χρήση οποιωνδήποτε άλλων εξαρτημάτων ή προσαρτημάτων μπορεί να προκαλέσει κίνδυνο τραυματισμού σε άτομα. Να χρησιμοποιείτε τα εξαρτήματα ή προσαρτήματα μόνο για την χρήση που προορίζονται.

Εάν χρειάζεστε οποιαδήποτε βοήθεια για περισσότερες πληροφορίες σε σχέση με αυτά τα εξαρτήματα, αποτανθείτε στο τοπικό σας κέντρο εξυπηρέτησης Makita.

- Βελόνια
- Γνήσια μπαταρία και φορτιστής της Makita
- Γυαλιά ασφαλείας

ΠΑΡΑΤΗΡΗΣΗ: Μερικά στοιχεία στη λίστα μπορεί να συμπεριλαμβάνονται στη συσκευασία εργαλείου ως στάνταρ εξαρτήματα. Μπορεί να διαφέρουν ανάλογα με τη χώρα.

TEKNİK ÖZELLİKLER

Model:	DPT353	
Başsız çivi boyutu	ø0,6 mm x 15, 18, 25, 30, 35 mm	
Başsız çivi hazne kapasitesi	100 adet	
Kancasız boyutlar (U x G x Y)	257 mm x 79 mm x 226 mm	
Anma voltajı	D.C. 18 V	
Batarya kartuşu	BL 1815, BL 1815N, BL 1820, BL 1820B	BL 1830, BL 1830B, BL 1840, BL 1840B, BL 1850, BL 1850B, BL 1860B
Net ağırlık	2,0 kg	2,2 kg

- Sürekli yapılan araştırma ve geliştirmelerden dolayı, burada belirtilen özellikler önceden bildirilmeksizin değiştirilebilir.
- Özellikler ve batarya kartuşu ülkeden ülkeye değişebilir.
- EPTA-Prosedürü 01/2003 uyarınca batarya kartuşu ile birlikte ağırlık

Kullanım amacı

Bu alet, kereste gibi inşaat malzemelerine başsız çivi basmak için tasarlanmıştır.

Gürültü

Tipik A-ağırlıklı gürültü düzeyi (EN60745 standardına göre belirlenen):

Ses basınç seviyesi (L_{pA}): 76 dB (A)

Belirsizlik (K): 3 dB (A)

İşlem sırasında gürültü seviyesi 80 dB (A)'yi geçebilir.

UYARI: Kulak koruyucuları takın.

Titreşim

EN60745 uyarınca hesaplanan titreşim toplam değeri:

Titreşim emisyonu (a_{h1}): 2,5 m/s² den az

Belirsizlik (K) : 1,5 m/s²

NOT: Beyan edilen titreşim emisyon değeri standart test yöntemine uygun şekilde ölçülmüştür ve bir aleti bir başkasıyla karşılaştırmak için kullanılabilir.

NOT: Beyan edilen titreşim emisyon değeri bir ön maruz kalma değerlendirmesi olarak da kullanılabilir.

UYARI: Bu elektrikli aletin gerçek kullanımı sırasındaki titreşim emisyonu aletin kullanım biçimlerine bağlı olarak beyan edilen emisyon değerinden farklı olabilir.

UYARI: Gerçek kullanım koşullarındaki maruz kalmanın bir tahmini hesaplaması temelinde operatörü koruyacak güvenlik önlemlerini mutlaka belirleyin (çalışma döngüsü içerisinde aletin kapalı olduğu ve aktif durumda olmasının yanı sıra boşta çalıştığı zamanlar gibi, bütün zaman dilimleri göz önünde bulundurularak değerlendirilmelidir).

EC Uygunluk Beyanı

Sadece Avrupa ülkeleri için

EC uygunluk beyanı bu kullanım kılavuzuna Ek A olarak eklenmiştir.

GÜVENLİK UYARILARI

Genel elektrikli alet güvenliği uyarıları

UYARI: Bu elektrikli aletle birlikte sunulan tüm güvenlik uyarılarını, talimatları, çizimleri ve teknik özellikleri okuyun. Aşağıda verilen talimatlara uyulmaması elektrik şoku, yangın ve/veya ciddi yaralanmalar ile sonuçlanabilir.

Tüm uyarıları ve talimatları iletide başvurmak için saklayın.

Uyarılardaki "elektrikli alet" terimi ile ya prizden çalışan (kordonlu) elektrikli aletinizi ya da kendi aküsü ile çalışan (kordonsuz) elektrikli aletinizi kastedilmektedir.

Akülü çivi çakma tabancası güvenlik uyarıları

- Daima alette tespit elemanı olduğunu varsayın.** Çivi çakma tabancasının dikkatsiz bir şekilde kullanılması tespit elemanlarının beklenmedik bir şekilde atılması ve kişisel yaralanmayla sonuçlanabilir.
- Aleti kendinize ya da yakınınızdaki insanlara doğrultmayın.** Beklenmedik tetikleme, tespit elemanının fırlayarak yaralanmaya sebep olmasına yol açabilir.
- Aleti iş parçasına sıkıca dayamadan aleti çalıştırmayın.** Alet iş parçası ile temas halinde değilse, tespit elemanı hedefinizden sapabilir.

4. **Tespit elemanı alet içinde sıkıştığı zaman aleti güç kaynağından ayırın.** Sıkışmış bir tespit elemanı çıkarılırken alet fişe takılı olduğunda, çivi çakma tabancası kazara çalışabilir.
5. **Sıkışmış bir tespit elemanını çıkarırken dikkatli olun.** Mekanizma basınç altında olabilir ve sıkışma durumunu gidermeye çalışırken gücün etkisiyle tespit elemanı fırlayabilir.
6. **Bu çivi çakma tabancasını elektrik kablolarını sabitlemek için kullanmayın.** Elektrik kablosu montajı için tasarlanmamıştır ve elektrik kablolarının yalıtımlarına hasar vererek elektrik çarpmasına veya yangına neden olabilir.
7. **Gözlerinizi tozdan ve bağlantı elemanı yaralanmalarından korumak için daima güvenlik gözlüğü takın.**
⚠UYARI: Alet operatörlerinin ve çalışma alanının yakınında çalışan diğer kişilerin uygun göz koruyucu ekipmanlar kullanmasını sağlanması, işverenin yükümlülüğündedir.
8. **Ellerinizi ve ayaklarınızı çıkış ağzının olduğu alandan uzak tutun.**
9. **Yağlama ve aksesuar değiştirme talimatlarına uyun.**
10. **Tespit elemanlarını yüklemeyen, ayarlamadan, denetlemeden, bakım yapmadan önce veya kullanım bittikten sonra daima batarya kartuşunu çıkarın.**
11. **Çalıştırmadan önce etrafta kimse olmadığını emin olun.** Aynı anda hem içten hem de dıştan tespit elemanı basmaya asla çalışmayın. Tespit elemanları yırtıp geçerek ve/veya dışarı fırlayarak ciddi tehlike oluşturabilir.
12. **Duruşunuza dikkat edin ve aleti dengeli tutun.** Yüksek yerlerde çalışırken aşağıda kimse olmadığından emin olun.
13. **“İskelelerde, merdivenlerde kullanmayın” simgesini taşıyan bağlantı elemanı vidalama aletlerini, kesinlikle aşağıda örnekleri verilen özel uygulamalarda kullanmayın:**
 - bir vidalama konumundan diğereine değişimin, iskeleler, basamaklar, merdivenler veya çatı tahtaları gibi merdiven benzeri yapıların kullanılmasını içermesi;
 - kutuların veya sandıkların kapatılması;
 - araçlardaki ve vagonlardaki taşıma emniyet sistemlerinin sabitlenmesi.
14. **Akım geçen tellere, kablo kanallarına veya gaz borularına zımbalamanın neden olabileceği olası bir elektrik şokunu, gaz kaçağını, patlamaları vs. önlemek için duvarları, tavanı, zemini, çatıyı ve bunun gibi yerleri dikkatle kontrol edin.**
15. **Sadece bu kılavuzda belirtilen tespit elemanlarını kullanın.** Başka tespit elemanlarının kullanılması aletin arızalanmasına neden olabilir.
16. **Alette bir değişiklik yapmayın veya aleti tespit elemanı basmak dışında bir amaçla kullanmaya çalışmayın.**
17. **Aleti tespit elemanları olmadan alıştırmayın.** Bunu yapmak aletin hizmet ömrünü kısaltır.
18. **Eğer alette bir terslik veya normal dışı bir durum fark ederseniz, çalışmayı hemen durdurun.**
19. **Tespit elemanının yırtıp geçebileceği ve içinden fırlayıp uçabileceği malzemelere asla zımbalama yapmayın.**
20. **İş parçalarını tespit etmeye hazır olmadan, anahtar tetiği ve temas elemanını asla aynı anda etkinleştirmeyin.** İş parçasının temas elemanına temas etmesini sağlayın. Asla temas elemanını geriye sabitleyerek ya da elinizle bastırarak kullanım dışı bırakmayın.

21. **Temas elemanı üzerinde asla değişiklik yapmayın.** Temas elemanının doğru çalışıp çalışmadığını sık sık kontrol edin.
22. **Alet kullanımında değilken, daima tespit elemanlarını çıkarın.**

BU TALİMATLARI SAKLAYIN.

⚠UYARI: Ürünü kullanırken (defalarca kullanınca kazanılan) rahatlık ve tanıdıklık duygusunun ilgili ürünün güvenlik kurallarına sıkı sıkıya bağlı kalmanızı yerine geçmesini İZİN VERMEYİN. YANLIŞ KULLANIM veya bu kullanan kılavuzunda belirtilen emniyet kurallarına uymama ciddi yaralanmaya neden olabilir.

Batarya kartuşu hakkında önemli güvenlik talimatları

1. **Batarya kartuşunu kullanmadan önce, tüm talimatları ve (1) batarya kartuşu, (2) batarya ve (3) ürün üzerindeki tüm uyarı işaretlerini okuyun.**
2. **Batarya kartuşunu demonte etmeyin.**
3. **Çalışma süresi aşırı derecede kısalmışsa kullanmayı derhal bırakın.** Aşırı ısınma, yanma riski hatta patlamaya neden olabilir.
4. **Gözünüze elektrolit kaçarsa, gözlerinizi temiz suyla durulayın ve hemen tıbbi yardım alın.** Görme kaybına yol açabilir.
5. **Batarya kartuşuna kısa devre yaptırmayın:**
 - (1) Terminallere herhangi bir iletken madde deydirmeyin.
 - (2) Batarya kartuşunu çiviler, madeni paralar, vb. gibi başka metal nesnelere aynı kaba koymaktan kaçının.
 - (3) Batarya kartuşunu yağmura ya da suya maruz bırakmayın.
6. **Kısa devre, büyük bir akım akışına, aşırı ısınmaya, olası yanıklara hatta bataryanın bozulmasına yol açabilir.**
7. **Aleti ve batarya kartuşunu sıcaklığın 50°C ya da daha yükseğe ulaştığı yerlerde saklamayın.**
8. **Aşırı derecede hasar görmüş ya da tamamen kullanılamaz durumda olsa bile batarya kartuşunu yakmayın.** Batarya kartuşu ateşe atılırsa patlayabilir.
9. **Bataryayı düşürmemeye ve çarpmamaya dikkat edin.**
10. **Hasarlı bataryayı kullanmayın.**
11. **Aletin içerdği lityum-iyon bataryalar Tehlikeli Eşyalar Yönetmeliğinin gereksinimlerine tabidir.** Ticari nakliye işlemleri için, örneğin üçüncü taraflar, nakliye acenteleri tarafından yapılan nakliyelerde, paketlenme ve etiketlenme gereksinimlerine uyulmalıdır. Nakliyesi yapılacak ürünün hazırlanması için, tehlikeli maddeler konusunda uzman bir kişiye danışın. Lütfen muhtemelen daha ayrıntılı olan ulusal yönetmeliklere de uyun. Açık kontakları bantlayın ya da maskeleyin ve bataryayı paketin içinde hareket etmeyecek şekilde paketlenin.
12. **Bataryanın elden çıkarılması ile ilgili yerel düzenlemelere uyunuz.**

BU TALİMATLARI MUHAFAZA EDİNİZ.

⚠ DİKKAT: Sadece orijinal Makita bataryalarını kullanın. Orijinal olmayan Makita bataryaları ya da üzerine değişiklik yapılmış bataryaların kullanımı bataryanın patlamasına ve sonuç olarak yangın, kişisel yaralanma ve hasara neden olabilir. Ayrıca Makita aleti ve şarj aletinin Makita tarafından sunulan garantisini de geçersiz olur.

Maksimum batarya ömrü için ipuçları

1. Batarya kartuşunu tamamen boşalmadan önce şarj edin. Aletin gücünün zayıflamaya başladığını fark ettiğinizde aleti durdurun ve batarya kartuşunu şarj edin.
2. Tam dolu bir batarya kartuşunu asla yeniden şarj etmeyin. Aşırı şarj etme bataryanın hizmet ömrünü kısaltır.
3. Batarya kartuşunu 10°C - 40°C oda sıcaklığında şarj edin. Sıcak bir batarya kartuşunu şarj etmeden önce soğumasını bekleyin.
4. Uzun bir süre (altı aydan daha fazla) kullanmadığımız durumlarda batarya kartuşunu şarj edin.

İŞLEVSEL NİTELİKLER

⚠ DİKKAT: Alet üzerinde ayarlama veya işleyiş kontrolü yapmadan önce aletin kapalı ve batarya kartuşunun ayrılmış olduğundan daima emin olun.

Batarya kartuşunun takılması ve çıkarılması

⚠ DİKKAT: Batarya kartuşunu takmadan ya da çıkarmadan önce aleti daima kapatın.

⚠ DİKKAT: Batarya kartuşunu takarken veya çıkarırken aleti ve batarya kartuşunu sıkıca tutun. Aletin ve batarya kartuşunun sıkıca tutulmaması bunların düşürülmesine sebep olabilir ve alet ve batarya kartuşunun zarar görmesine ya da ciddi yaralanmasına yol açabilir.

- **Şek.1:** 1. Kırmızı göstergesi 2. Düğme 3. Batarya kartuşu

Batarya kartuşunu çıkarmak için, kartuşun ön tarafındaki düğmeyi kaydırarak kartuşu aletten çıkarın.

Batarya kartuşunu takmak için, batarya kartuşu üzerindeki dili yuvanın çentiği ile hizalayın ve yerine oturtun. Hafif bir tık sesi duyulana kadar itip yerine tam oturmasını sağlayın. Düğmenin üst tarafındaki kırmızı göstergesi görünüyorsa tam yerine kilitlenmemiş demektir.

⚠ DİKKAT: Batarya kartuşunu daima kırmızı göstergesi görünmeyecek şekilde tam olarak takın. Yerine tam oturmazsa, aletten yanlışlıkla düşebilir, sizin ya da çevrenizdeki kişilerin yaralanmasına neden olabilir.

⚠ DİKKAT: Batarya kartuşunu zorlayarak takmayın. Kartuş kolay bir şekilde kaymıyorsa doğru yerleştirilmemiş demektir.

Alet/batarya koruma sistemi

Bu alet bir alet/batarya koruma sistemi ile donatılmıştır. Bu sistem motora giden gücü otomatik olarak keserek uzun alet ve batarya ömrü sağlar. Alet veya batarya için aşağıdaki durumlardan biri söz konusu olduğunda aletin işleyişi otomatik olarak durur:

Aşırı yük koruması





Alet/batarya, anormal derecede yüksek akım çekmesine neden olacak şekilde kullanıldığında, alet hiçbir belirti vermeden otomatik olarak durur. Bu durumda, aleti kapatın ve aletin aşırı yüklenmesine neden olan uygulamayı durdurun. Daha sonra aleti yeniden başlaması için çalıştırın.

Aşırı ısınma koruması

Alet/batarya aşırı ısındığında, alet otomatik olarak durur. Bu durumda, yeniden çalıştırmadan önce aletin/bataryanın soğumasını bekleyin.

Aşırı deşarj koruması

Batarya kapasitesi yeterli olmadığında alet otomatik olarak durur ve batarya göstergesi aşağıdaki durumu gösterir. Bu durumda, bataryayı aletten çıkarın ve bataryayı şarj edin.




 Açık	 Kapalı	 Yanıp sönüyor
		

Kalan batarya kapasitesinin gösterilmesi

Sadece göstergeli batarya kartuşları için

- **Şek.2:** 1. Göstergesi lambaları 2. Kontrol düğmesi

Kalan batarya kapasitesini göstermesi için batarya kartuşu üzerindeki kontrol düğmesine basın. Göstergesi lambaları birkaç saniye yanar.

Göstergesi lambaları			Kalan kapasite
 Yanıyor	 Kapalı	 Yanıp sönüyor	
■ ■ ■ ■			%75 ila %100
■ ■ ■ □			%50 ila %75
■ ■ □ □			%25 ila %50
■ □ □ □			%0 ila %25
■ □ □ □			Bataryayı şarj edin.
■ ■ □ □			Batarya arızalanmış olabilir.
□ □ ■ ■			

NOT: Kullanım koşullarına ve ortam sıcaklığına bağlı olarak, gösterilen değer gerçek kapasiteden biraz farklılık gösterebilir.




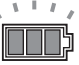
Kalan batarya kapasitesinin gösterilmesi

Ülkeye özgü

Anahtar tetiği çektiğinizde ya da temas elemanını ittiğinizde, batarya göstergesi kalan batarya kapasitesini gösterir.

► **Şek.3:** 1. Batarya göstergesi

Kalan batarya kapasitesi aşağıdaki tablodaki gibi gösterilir.

Batarya göstergesi durumu			Kalan pil kapasitesi	
Açık	Kapalı	Yanıp sönüyor		
				
				%50 ila %100
				%20 ila %50
				%0 ila %20
			Bataryayı şarj edin	

Tetik kilidi düğmesi

⚠DİKKAT: Batarya kartuşunu alete takmadan önce anahtar tetiğin doğru çalıştığından ve bırakıldığında "OFF" (kapalı) konumuna döndüğünden emin olun.

⚠DİKKAT: Aleti kullanmadığınız zamanlarda anahtar tetiği kapalı konumda kilitlemek için tetik kilidi düğmesine B tarafından bastırın.

► **Şek.4:** 1. Tetik kilidi düğmesi 2. Anahtar tetik

► **Şek.5**

Anahtar tetiğin kaza sonucu çekilmesini önlemek için, tetik kilidi düğmesi sunulmuştur.

Anahtar tetiği çekmek için, tetik kilidi düğmesine A tarafından bastırın.

Kullanımdan sonra daima tetik kilidi düğmesine B tarafından bastırın.

Başsız çivi çakma derinliğinin ayarlanması

⚠UYARI: Çakma derinliğini ayarlamadan önce parmaklarınızın anahtar tetiğin veya temas elemanının üzerine yerleşmediğinden ve batarya kartuşunun çıkartılmış olduğundan daima emin olun.

Bu başsız çivi çakma tabancasında başsız çivi çakma derinliği ayarlanabilir. Çivi çakma derinliğini ayarlamak için ayar düğmesini döndürün. Ayar düğmesi şekilde gösterildiği gibi A yönünde tam olarak döndürüldüğünde çivi çakma derinliği en derin ayara ayarlanmış olur. Ayar düğmesi B yönünde döndürüldükçe derinlik azalır. Derinlik, maksimum 1,5 mm'ye ayarlanabilir.

► **Şek.6:** 1. Ayar düğmesi

► **Şek.7:** 1. Çok derin 2. Yüzeye sıfır 3. Çok sığ

Lambaların yakılması

⚠DİKKAT: Işığa bakmayın ya da ışık kaynağını doğrudan görmeyin.

Lambayı yakmak için anahtar tetiği çekin ya da temas elemanını etkinleştirin. Anahtar tetik çekilirken ya da temas elemanı etkinken lamba yanmaya devam eder. Lamba, anahtar tetik ve temas elemanı serbest bırakıldıktan yaklaşık 10 saniye sonra söner.

► **Şek.8:** 1. Lamba

NOT: Lamba lensini temizlemek için kuru bir bez kullanın. Aydınlatmayı azaltacağı için lamba lensinin çizilmemesine dikkat edin.

NOT: Kalan batarya gücü azaldığında, lamba yansa bile başsız çivi çakma tabancası başsız çivileri atmayabilir. Bu durumda, batarya kartuşunu şarj edin.

MONTAJ

⚠DİKKAT: Başsız çivi çakma tabancası üzerinde herhangi bir işlem yapmadan önce parmaklarınızın anahtar tetiğin veya temas elemanının üzerine yerleşmediğinden ve batarya kartuşunun çıkartılmış olduğundan daima emin olun.

Başsız çivi çakma tabancasının yüklenmesi

⚠DİKKAT: Başsız çivi çakma tabancasına yükleme yapmadan önce batarya kartuşunu çıkardığınızdan daima emin olun. İstenmeyen atış, kişisel yaralanmaya veya maddi hasara neden olabilir.

⚠DİKKAT: Başsız çivi çakma tabancasının haznesi başsız çivilerle doluyken, hazneyi aniden kaydırmayın. Özellikle yüksek yerlerde çalışırken başsız çivilerin kazara düşürülmesi kişisel yaralanmalara sebep olabilir.

⚠DİKKAT: Başsız çivileri doğru yönde yükleyin. Yanlış yönde yükleme yapmak erken aşınmaya, sürücünün hasar görmesine ya da diğer parçalarda zarara sebep olabilir.

⚠DİKKAT: Deforme olmuş, birbirine yapışmış başsız çivileri kullanmayın. Bu kılavuzda belirtilen başsız çivileri kullanın. Belirtilenin dışındaki başsız çivilerin kullanılması başsız çivilerin sıkışmasına ve başsız çivi çakma tabancasının arızalanmasına neden olabilir.

1. Batarya kartuşunu çıkarın.
 2. Kilitleme koluna bastırın ve hazneyi geriye doğru kaydırın.
 3. Başsız çivilerin ucunu haznenin alt kısmındaki oluklarla hizalayın ve başsız çivilerin tamamını sürücü kılavuzuna doğru itin. (Başsız çivileri doğru yönde yüklemeye dikkat edin.)
► **Şek.9:** 1. Başsız çiviler 2. Hazne 3. Kilitleme kolu 4. Sürücü kılavuzu
 4. Başsız çivileri yükledikten sonra, hazneyi tık sesi duyulana kadar geri itin.
- Başsız çivileri çıkarmak için, takma işleminin tersini uygulayın.

Burun adaptörü

⚠DİKKAT: Burun adaptörünü takmadan önce parmaklarınızın anahtar tetiğın veya temas elemanın üzerine yerleşmediğinden ve batarya kartuşunun çıkartılmış olduğundan daima emin olun.

Kolay çızeilebilen yüzeylere başsız çivi çakarken burun adaptörünü kullanın. Burun adaptörünü takmak için, burun adaptörünü sürücü kılavuzu kapağının üzerine, burun adaptörünün içindeki çıkıntı sürücü kılavuzu kapağının içindeki dişe oturacak şekilde yerleştirin. Kaybolmasını önlemek için, burun adaptörünü haznenin arka ucundaki yuvanın üzerinde saklayabilirsiniz.
► **Şek.10:** 1. Diş 2. Çıkıntı 3. Burun adaptörü 4. Yuva

Kanca

⚠DİKKAT: Kancayı bel kemerine asmayın. Kancanın kazara yerinden çıkması nedeniyle başsız çivi çakma tabancasının düşürmek, istenmeyen atışa sebep olabilir ve kişisel yaralanmalarla sonuçlanabilir.

► Şek.11

Kanca, aletin geçici bir süre asılması için kullanılırdır. Bu kanca, aletin her iki yanına da takılabilir. Kancayı takmak için, onu alet gövdesinin her iki yanındaki oluklardan birine geçirin ve sonra bir vida ile sabitleyin. Çıkarmak için, vidayı gevşetin ve sonra dışarı çekip alın.

► Şek.12:

 1. Oluk 2. Kanca 3. Vida

Altıgen anahtarın saklanması

Kullanılmadığı zamanlarda, altıgen anahtarın kaybolmasını önlemek için anahtar şekilinde gösterildiği gibi saklayın.

► Şek.13:

 1. Altıgen anahtar

KULLANIM

Güvenlik sisteminin test edilmesi

⚠UYARI: Kullanmadan önce tüm güvenlik sistemlerinin çalışır durumda olduğundan emin olun. Bunun yapılmaması kişisel yaralanmalara sebep olabilir.

► Şek.14:

 1. Tetik kilidi düğmesi 2. Anahtar tetik 3. Temas elemanı 4. Hazne

Çalıştırmadan önce olası hatalara karşı güvenlik sistemlerini aşağıda açıklandığı şekilde test edin.

1. Başsız çivileri aletten çıkarın ve hazneyi açık bırakın.
2. Batarya kartuşunu takın ve tetik kilidini serbest bırakın.
3. Temas elemanını malzemeye temas ettirmeden sadece anahtar tetiğini çekin.
4. Anahtar tetiğini çekmeden sadece temas elemanını malzemeye temas ettirin.

Yukarıda açıklanan 3 ve 4 numaralı vakalarda alet çalışırsa, güvenlik sistemleri arızalı demektir. Aleti kullanmayı derhal durdurun ve yerel servis merkezinizden yardım isteyin.

Başsız çivilerin çakılması

⚠UYARI: Temas elemanını, başsız çivi tam olarak basılana kadar malzemenin üzerinde sıkı bir şekilde tutmaya devam edin. İstenmeyen atış, kişisel yaralanmalara neden olabilir.

1. Tetik kilidini serbest bırakın.
2. Temas elemanını malzeme üzerine yerleştirin.
3. Başsız çivi basmak için anahtar tetiğini tamamen çekin.
4. Bir sonraki başsız çiviyi basmak için , parmağınızı anahtar tetikten bir kez çekin ve ardından 2. ve 3. adımları tekrarlayın.

► Şek.15:

 1. Anahtar tetik 2. Temas elemanı

Aleti bir sonraki yere sürerken temas elemanını malzemeye basılı tutarak ve anahtar tetiğini çekerek de başsız çivileri basabilirsiniz.

► Şek.16

Başsız çivinin üst kısmı iş parçası yüzeyinin üzerinde kaldıysa, başsız çiviyi başsız çivi çakma tabancasının tepesinden sıkıca tutarak iş parçasına doğru bastırın.

► Şek.17

NOT: Başsız çivi çakma tabancasının tepesinden tuttuğunuz halde başsız çivinin üst kısmı iş parçası yüzeyinin üzerinde kalmaya halen devam ediyorsa, malzeme başsız çivi çakma tabancasına uygun olmayabilir. Başsız çivi çakma tabancasının bu tip malzemeler üzerinde kullanılmaya devam etmesi, başsız çivi çakma tabancasının sürücü mekanizmasına zarar verebilir ve/veya başsız çivi çakma tabancasında sıkışmaya neden olabilir.

Boş çalıştırmaya karşı koruma mekanizması

UYARI: Başsız çivi çakma tabancasını yüklemeyen önce parmaklarınızın anahtar tetiğinin veya temas elemanının üzerine yerleşmediğinden ve batarya kartuşunun çıkartılmış olduğundan daima emin olun.

Haznede 0 - 3 adet başsız çivi kaldığında, anahtar tetik artık çekilemez. Bu aşamada, hazneye yeni bir başsız çivi şeridi takın ve anahtar tetiği yeniden çekin.

NOT: Boş çalıştırmaya karşı koruma mekanizması etkinleştikten hemen sonra farklı bir uzunluktaki başsız çivileri çakarken, hazneye yeni bir başsız çivi şeridi takın ve önceden kalan tüm başsız çivileri gerekmeden bir malzeme üzerine çakarak boşaltın.

Kalan başsız çivilerin kontrol edilmesi

Kalan başsız çivi miktarını gözleme penceresinden kontrol edebilirsiniz.

Kırmızı gösterge, kalan başsız çivi miktarı azaldıkça tespit elemanı ağızına doğru hareket eder.

► **Şek.18:** 1. Gözleme penceresi 2. Gösterge

Sıkışan başsız çivilerin çıkarılması

UYARI: Sıkışan başsız çivileri çıkarmadan önce batarya kartuşunu çıkardığınızdan daima emin olun.

Haznede kalan başsız çivileri çıkarın.

Sürücü kılavuzu kapağını sabitleyen üç vidayı altıgen anahtarla çıkarın.

Ortaya çıkan çivi kılavuz oluşunun içine sıkışmış çivileri çıkarın.

Sıkışan çivileri dışarı çıkarmak zorsa, temas üst kapağını sabitleyen iki vidayı da altıgen anahtarla sökün.

Ardından onları dışarı çıkarın.

► **Şek.19:** 1. Sürücü kılavuzu kapağı 2. Vida 3. Temas üst kapağı

BAKIM

DİKKAT: Muayene ya da bakım yapmadan önce aletin kapalı ve batarya kartuşunun çıkartılmış olduğundan daima emin olun.

ÖNEMLİ NOT: Benzin, tiner, alkol ve benzeri maddeleri kesinlikle kullanmayın. Renk değişimi, deformasyon veya çatlaklar oluşabilir.

Aleti EMNİYETLİ ve ÇALIŞMAYA HAZIR durumda tutmak için onarımlar, başka her türlü bakım ve ayarlamalar daima Makita yedek parçaları kullanılarak Makita yetkili servis merkezleri veya Fabrikanın Servis Merkezleri tarafından yapılmalıdır.

İSTEĞE BAĞLI AKSESUARLAR

DİKKAT: Bu aksesuarlar ve ek parçalar bu el kitabında belirtilen Makita aletiniz ile kullanılmak için tavsiye edilmektedir. Herhangi başka bir aksesuar ya da ek parça kullanılması insanlar için bir yaralanma riski getirebilir. Aksesuarları ya da ek parçaları yalnızca belirtilmiş olan kullanım amaçlarına uygun olarak kullanın.

Bu aksesuarlarla ilgili daha fazla bilgiye ihtiyaç duyar-sanız bulunduğunuz yerdeki yetkili Makita servisine başvurun.

- Başsız çiviler
- Orijinal Makita batarya ve şarj aleti
- Güvenlik gözlüğü

NOT: Listedeki parçaların bazıları alet paketi içerisinde standart aksesuar olarak dahil edilmiş olabilir. Bunlar ülkeden ülkeye farklılık gösterebilir.

Makita Europe N.V. Jan-Baptist Vinkstraat 2,
3070 Kortenberg, Belgium

Makita Corporation 3-11-8, Sumiyoshi-cho,
Anjo, Aichi 446-8502 Japan

www.makita.com

885545-994
EN, FR, DE, IT, NL,
ES, PT, DA, EL, TR
20161011