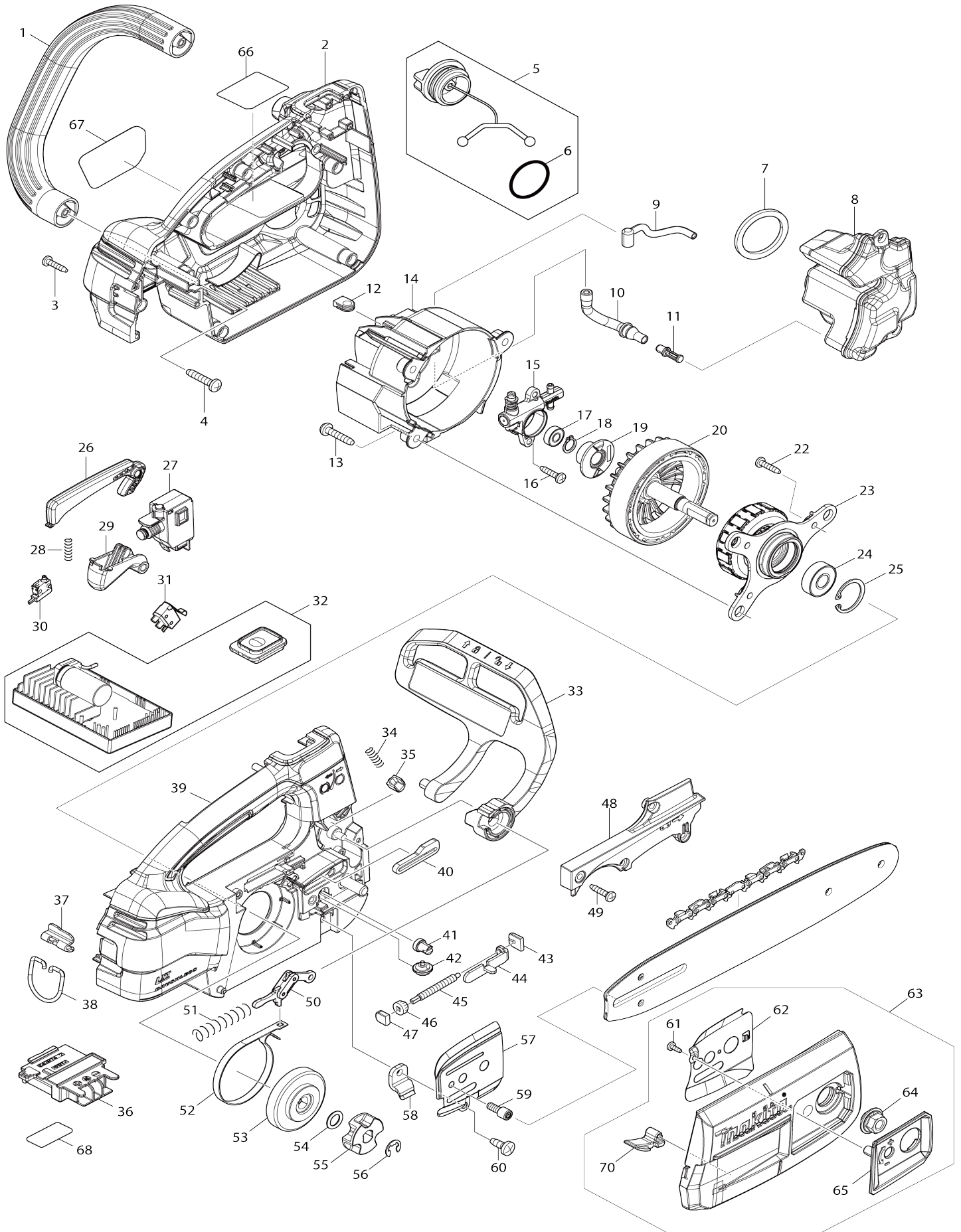


Model No. DUC254 250MM CORDLESS CHAIN SAW



Model No.DUC254 250MM CORDLESS CHAIN SAW

Item No.	Parts No.	Description	Interc hang eability	Q'ty	New/ Old	Note1	Note2
001	458490-5	SIDE HANDLE		1			
002	183J27-6	HOUSING SET		1	*		
C10	263005-3	RUBBER PIN 6		2	*		
002		INC. 39			*		
002-1	183U63-8	HOUSING SET	S	1			
C10	263005-3	RUBBER PIN 6		2			
002-1		INC. 39					
003	266326-2	TAPPING SCREW 4X18		8	*		
003-1	265B67-9	TAPPING SCREW 4X18	O	8			
004	266041-8	TAPPING SCREW 5X25		2			
005	168508-1	TANK CAP COMPLETE		1			
005		INC. 6					
006	213355-6	O-RING 25		1			
007	421959-2	SPONGE SEAL		1			
008	140A75-4	OIL TANK COMPLETE		1			
009	422271-3	CONNECTOR A		1			
010	422272-1	CONNECTOR B		1			
011	450437-5	FILTER		1			
012	424612-9	GROMMET		1			
013	266041-8	TAPPING SCREW 5X25		3			
014	458489-0	MOTOR HOUSING		1			
015	142857-4	OIL PUMP COMPLETE		1			
016	266326-2	TAPPING SCREW 4X18		2	*		
016-1	265B67-9	TAPPING SCREW 4X18	O	2			
017	210026-6	BALL BEARING 696ZZ		1			
018	961006-2	RETAINING RING S-10		1			
019	221428-1	WORM GEAR		1			
020	619518-6	ROTOR		1			
022	266326-2	TAPPING SCREW 4X18		3	*		
022-1	265B67-9	TAPPING SCREW 4X18	O	3			
023	629378-8	STATOR COMPLETE		1			
024	210059-1	BALL BEARING 6000DDW		1			
025	962105-3	RETAINING RING R-26		1			
026	458497-1	CATCH LEVER		1			
027	651365-9	SWITCH C3JW-6BM-P		1			
028	233476-8	COMPRESSION SPRING 4		1			
029	458495-5	SWITCH LEVER		1			
030	632L49-0	SWITCH UNIT		1			
031	632L48-2	SWITCH UNIT		1			
032	140A76-2	CONTROLLER COMPLETE		1	*		
C10	810D46-0	SWITCH LABEL		1	*		
032-1	140P58-4	CONTROLLER COMPLETE	<	1	*		
C10	810D46-0	SWITCH LABEL		1	*		
032-2	141J61-2	CONTROLLER COMPLETE	<	1			
C10	810D46-0	SWITCH LABEL		1			
033	140A72-0	FRONT HAND GUARD COMPLETE		1			
C10	816U31-3	CAUTION LABEL		1			

034	232453-7	COMPRESSION SPRING 3		1			
035	310879-4	HAND GUARD GUIDE		1	*		
035-1	313379-3	HAND GUARD GUIDE	O	1			
036	643874-2	TERMINAL		1			
037	347377-5	HOOK SUPPORT		1			
038	281222-3	HOOK		1			
039	183J27-6	HOUSING SET		1	*		
C10	263005-3	RUBBER PIN 6		2	*		
039		INC. 2			*		
039-1	183U63-8	HOUSING SET	S	1			
C10	263005-3	RUBBER PIN 6		2			
039-1		INC. 2					
040	422270-5	GROMET		1			
041	227620-7	DRIVE GEAR 14		1			
042	227634-6	STRAIGHT BEVEL GEAR 14		1			
043	455241-7	CLAMP SCREW		1	*		
044	347376-7	TENSION SLIDE		1	*		
044-1	347569-6	TENSION SLIDE	S	1			
045	327120-8	ADJUST SCREW		1	*		
045-1	327900-2	ADJUST SCREW	S	1			
046	227496-2	STRAIGHT BEVEL GEAR 14		1			
047	455242-5	CLAMP SCREW		1	*		
048	458491-3	HOUSING R COVER		1			
049	266326-2	TAPPING SCREW 4X18		4	*		
049-1	265B67-9	TAPPING SCREW 4X18	O	4			
050	140A74-6	LINK PLATE COMPLETE		1			
051	232452-9	COMPRESSION SPRING 7		1	*		
051-1	232599-9	COMPRESSION SPRING 7	X	1			
052	347372-5	BRAKE BAND		1			
053	161871-1	BRAKE DRUM COMPLETE		1	*		
053-1	313498-5	BRAKE DRUM	O	1			
054	213060-5	O RING 10		1	*		
054-1	213A41-5	O-RING 10	O	1			
055	199063-2	SPROCKET 6 SET		1			
056	961013-5	STOP RING E-7		1			
057	347374-1	GUIDE PLATE L		1	*		
057-1	347567-0	GUIDE PLATE L	S	1			
058	347373-3	CHAIN CATCHER		1			
059	266905-6	H.L. SOCKET HEAD BOLT M5X12		1			
060	266388-0	TAPPING SCREW 5X16		1	*		
060-1	265D74-4	TAPPING SCREW 5X16	O	1			
061	266007-8	TAPPING SCREW BIND PT 3X10		1			
062	347375-9	GUIDE PLATE R		1	*		
062-1	347568-8	GUIDE PLATE R	S	1	*		
062-2	347568-8	GUIDE PLATE R	O	1			
063	136010-2	SPROCKET COVER ASS'Y		1	*		
063		INC. 61,62,64,65,70			*		
063-1	136010-2	SPROCKET COVER ASS'Y	<	1	*		
063-1		INC. 61,62,64,65,70,71			*		
063-2	136036-4	SPROCKET COVER ASS'Y	<	1	*		
063-2		INC. 61,62,64,65,70,71			*		
063-3	136122-1	SPROCKET COVER ASS'Y	S	1			

063-3		INC. 61,62,64,65,70,71					
064	161870-3	FRANGE NUT COMPLETE		1	*		
064-1	162494-8	FLANGE NUT COMPLETE	<	1			
065	458499-7	NUT COVER		1			
066	854G31-1	DUC254 NAME PLATE		1	*		
066-1	854G31-1	DUC254 NAME PLATE	<	1			
067	816U21-6	DUC254 MODEL NO. LABEL		1	*		
067-1	818H95-5	MAKITA LOGO LABEL	O	1			
068	854G38-7	DUC254 SERIAL NO. LABE		1			
070	422310-9	CHIP GUIDE		1			
071	458493-9	SPROCKET COVER		1	*		
071-1	459771-0	SPROCKET COVER	S	1			
A01	161846-0	GUIDE BAR 10		1	*		
A01-1	161846-0	GUIDE BAR 10	O	1			
A02	458501-6	GUIDE BAR CASE		1	*		
A02-1	458501-6	GUIDE BAR CASE	O	1			
A03	199075-5	SAW CHAIN SET		1	*		
A03-1	191H00-0	SAW CHAIN 10 SET	O	1			
A04	782023-7	WRENCH 13-16		1			
A09	831304-7	ACCESSORY BAG		1			
E01	805011-8	SOUND 103DB LABEL		1			
E02	8039U0-8	CAUTION TAG		1	*		
E02-1	8062D6-4	CAUTION TAG	O	1			
F10	199075-5	SAW CHAIN SET		1	*		
F13	195923-6	ROUND FILE 4.5 SET		1	*		
F13-1	D-70954	FILE HOLDER SET 4.5MM(11/64")	O	1			
F15	198457-8	CHAIN EDGER SET		1	*		
F15-1	D-70948	FILE HOLDER SET 4.0MM(5/32")	O	1			

Please state Parts No. when your order.

Print Date 01/20/2025