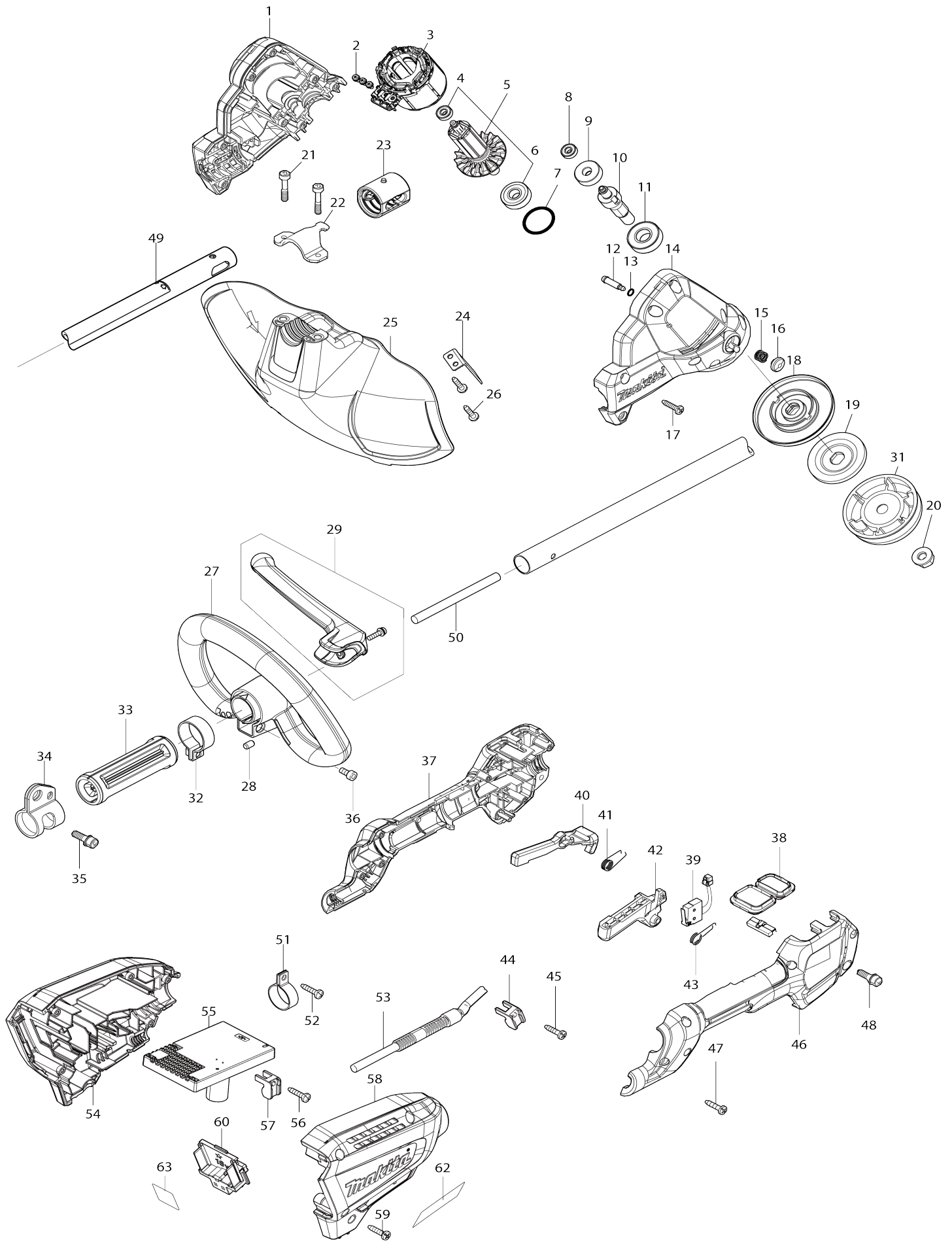


Model No.DUR190L CORDLESS GRASS TRIMMER



Model No.DUR190L CORDLESS GRASS TRIMMER

Item No.	Parts No.	Description	Interchangeability	Q'ty	New/Old	Note1	Note2
006	266424-2	TAPPING SCREW 4X20		4	*		
009	266424-2	TAPPING SCREW 4X20		2	*		
011	213343-3	O RING 35		1	*		
014-1	210164-4	SPHERE BEARING 706	O	1			
017	211092-6	BALL BEARING 629DDW		1			
021	210023-2	BALL BEARING 627DDW		1			
038	620270-1	CONTROLLER		1	*		
047-1	143250-5	CRANK HOUSING COMPLETE	<	1			
048	266424-2	TAPPING SCREW 4X20		2	*		
052	266429-2	TAPPING SCREW 3X16		4	*		
001	183P06-0	MOTOR HOUSING SET		1			
001		INC. 14					
002	652069-6	FLAT HEAD SCREW M3X6		3			
003	629248-1	STATOR		1			
004	210215-3	BALL BEARING 695ZZ		1			
005	510449-1	ROTOR ASS'Y		1			
005		INC. 4,6					
006	210049-4	BALL BEARING 609ZZ		1			
007	213380-7	O RING 24		1			
008	210215-3	BALL BEARING 695ZZ		1			
009	221492-2	HELICAL GEAR 26		1			
010	327542-2	CUTTER SHAFT		1			
011	211131-2	BALL BEARING 6001DDW		1			
012	256546-6	SHOULDER PIN 4		1			
013	213021-5	O RING 5		1			
014	183P06-0	MOTOR HOUSING SET		1			
014		INC. 1					
015	233072-2	COMPRESSION SPRING 8		1			
016	412408-0	PIN CAP		1			
017	266326-2	TAPPING SCREW 4X18		8			
018	140T23-7	RECEIVE WASHER COMPLETE		1			
021	251513-6	H.S.H.BOLT M5X25		2			
022	347667-6	PROTECTOR CLAMP		1			
023	424567-8	RUBBER SLEEVE 24		1			
024	346855-2	CUTTER		1			
025	412392-9	PROTECTOR		1			
026	266326-2	TAPPING SCREW 4X18		2			
027	457937-6	LOOP HANDLE 24		1	*		
027-1	413L67-5	LOOP HANDLE 24	O	1			
028	263005-3	RUBBER PIN 6		1			
029	143695-7	BARRIER COMPLETE		1			
C10	911128-8	P.H.SCREW M4X16 WITH WR		1			
032	347011-7	PIPE CLAMP 29		1			
033	451601-1	SPACER 24		1			
034	347116-3	HANGER		1			
035	922212-4	HEX. SOCKET HEAD BOLT M5X12		1			
036	922212-4	HEX. SOCKET HEAD BOLT M5X12		1			

037	183P04-4	GRIP SET		1		
C10	931202-6	HEX. NUT M5		1		
037		INC. 46				
038	140T18-0	SUB CONTROLLER COMPLETE		1		
C10	8010M7-8	SWITCH LABEL		1		
C20	8010M8-6	INDICATION LABEL		1		
039	632E26-0	SWITCH UNIT		1		
040	455629-1	LOCK OFF LEVER		1	*	
040-1	413Y35-6	LOCK OFF LEVER	O	1		
041	233621-5	TORSION SPRING 9		1		
042	455625-9	SWITCH LEVER		1		
043	233612-6	TORSION SPRING 10		1		
044	687260-7	STRAIN RELIEF		1		
045	266326-2	TAPPING SCREW 4X18		1		
046	183P04-4	GRIP SET		1		
C10	931202-6	HEX. NUT M5		1		
046		INC. 37				
047	266326-2	TAPPING SCREW 4X18		6		
048	922228-9	H.S.H.BOLT M5X18 WITH WR		1		
049	140T21-1	PIPE COMPLETE		1		
C10	819N87-3	CAUTION LABEL		1		
C20	819312-8	MAKITA LOGO LABEL		1		
050	699090-4	POWER SUPPLY CORD UNIT		1		
051	346248-3	CLAMP 24		1		
052	266326-2	TAPPING SCREW 4X18		1		
053	699149-7	POWER SUPPLY CORD UNIT		1		
054	183P07-8	HOUSING SET		1	*	
C10	263005-3	RUBBER PIN 6		2	*	
054		INC. 58			*	
054-1	183T27-6	HOUSING SET		1	*	
C10	263005-3	RUBBER PIN 6		2	*	
C20	422749-6	RUBBER SHEET		1	*	
054-1		INC. 58			*	
054-1	183T27-6	HOUSING SET		1	*	
C10	263005-3	RUBBER PIN 6		2	*	
C20	422749-6	RUBBER SHEET		1	*	
054-1		INC. 58			*	
054-2	1830T3-0	HOUSING SET	O	1		
C10	263005-3	RUBBER PIN 6		2		
C20	422749-6	RUBBER SHEET		1		
054-2		INC. 58				
055	620C56-1	CONTROLLER		1	*	
055-1	620F98-3	CONTROLLER	<	1		
056	266326-2	TAPPING SCREW 4X18		1		
057	687260-7	STRAIN RELIEF		1		
058	183P07-8	HOUSING SET		1	*	
C10	263005-3	RUBBER PIN 6		2	*	
058		INC. 54			*	
058-1	183T27-6	HOUSING SET		1	*	
C10	263005-3	RUBBER PIN 6		2	*	
C20	422749-6	RUBBER SHEET		1	*	
058-1		INC. 54			*	

058-1	183T27-6	HOUSING SET		1	*		
C10	263005-3	RUBBER PIN 6		2	*		
C20	422749-6	RUBBER SHEET		1	*		
058-1		INC. 54			*		
058-2	1830T3-0	HOUSING SET	O	1			
C10	263005-3	RUBBER PIN 6		2			
C20	422749-6	RUBBER SHEET		1			
058-2		INC. 54					
059	266326-2	TAPPING SCREW 4X18		6			
060	644809-6	TERMINAL		1			
062	857D04-5	DUR190L NAME PLATE		1			
063	857D09-5	DUR190L SERIAL NO. LABEL		1			
A01	125516-5	BAND ASSEMBLY		1			
A05	198893-8	CUTTER ASSEMBLY 95-M10L SET ME		1			
C10	144259-0	SPOOL COVER COMPLETE		1			
C20	232289-4	COMPRESSION SPRING 15		1			
C30	456640-6	SPOOL HOLDER		1			
C40	456642-2	SPOOL		1			
A05	191D89-4	TRIMMER HEAD 96-M10L SET		1			
A06	831304-7	ACCESSORY BAG		1			
A07	450128-8	BATTERY COVER		2			
A08	197280-8	BATTERY BL1850B SET		2			
A09	***DC18RC	DC18RC FAST CHARGER		1			
A09		COMPO-PARTS					
A12	783202-0	HEX. WRENCH 4		1			
E01	807949-3	SOUND 94DB LABEL		1	*		
E01-1	807E85-5	SOUND 92DB LABEL	<	1			
F47	1915D8-4	TRIMMER HEAD 96-M10L SET		1			
F48	1914R8-6	TRIMMER HEAD ASSEMBLY 98-M 10L		1			

Please state Parts No. when your order.

Print Date 01/27/2025