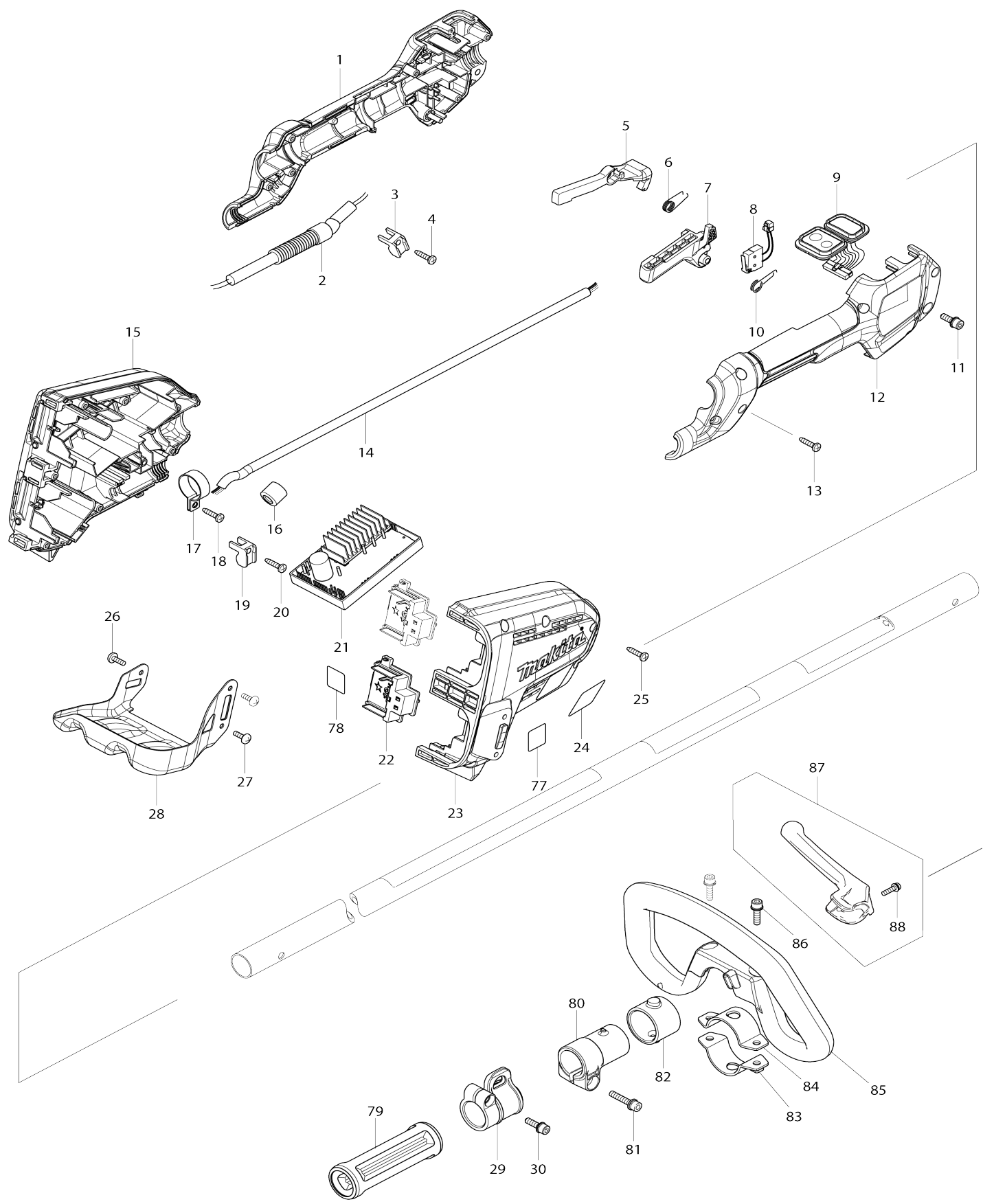
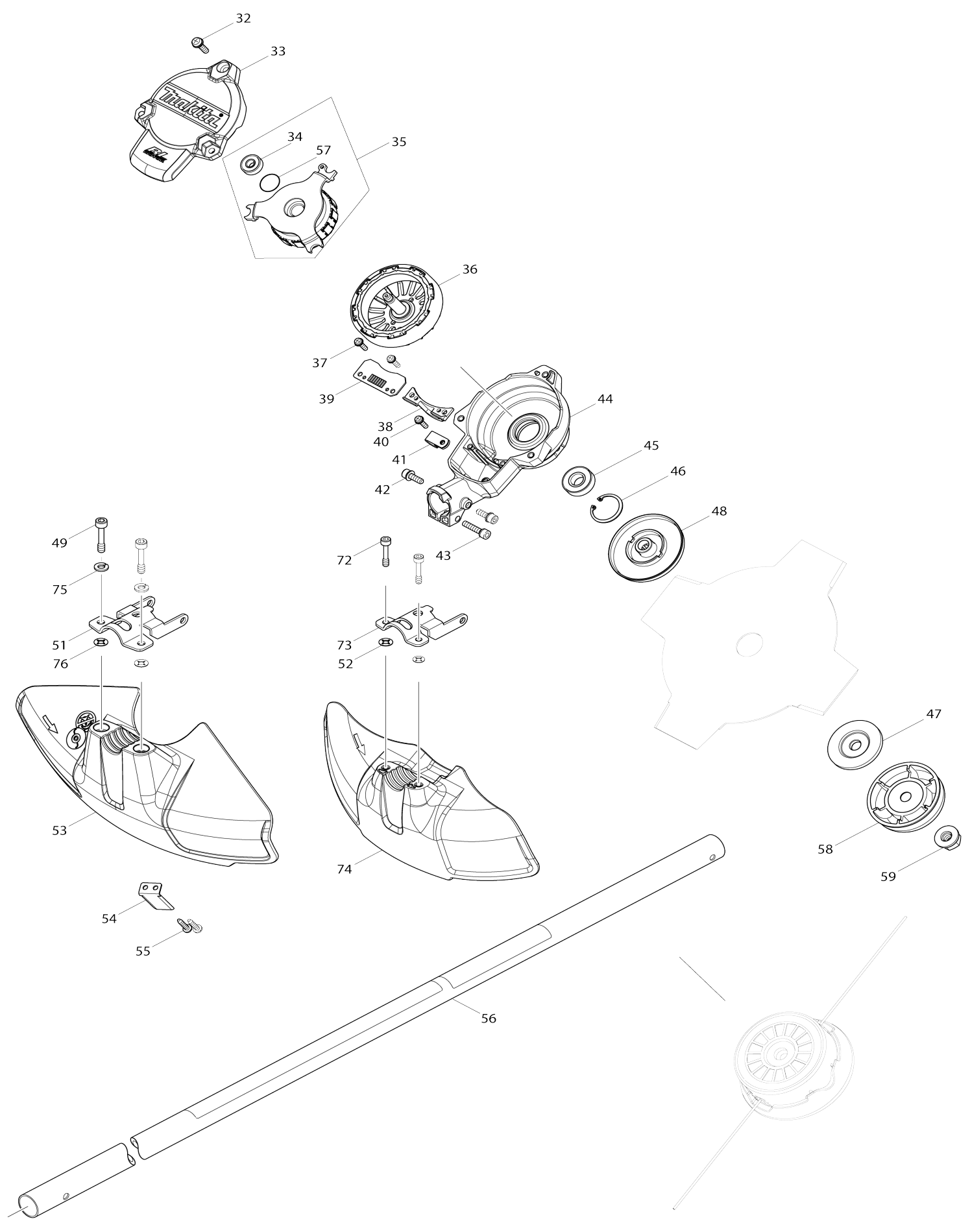


Model No.DUR368L CORDLESS GRASS TRIMMER



Model No.DUR368L CORDLESS GRASS TRIMMER



Model No.DUR368L CORDLESS GRASS TRIMMER

Item No.	Parts No.	Description	Interchangeability	Q'ty	New/Old	Note1	Note2
001	183A19-1	GRIP SET		1			
001		INC. 12					
002	699119-6	POWER SUPPLY CORD UNIT		1			
003	687260-7	STRAIN RELIEF		1			
004	266326-2	TAPPING SCREW 4X18		1			
005	455629-1	LOCK OFF LEVER		1	*		
005-1	413Y35-6	LOCK OFF LEVER	O	1			
006	233621-5	TORSION SPRING 9		1			
007	455625-9	SWITCH LEVER		1			
008	632E26-0	SWITCH UNIT		1			
009	140L81-5	SUB CONTROLLER COMPLETE G		1			
C10	819N38-6	SWITCH LABEL		1			
C20	819N39-4	INDICATION LABEL		1			
010	233612-6	TORSION SPRING 10		1			
011	922228-9	H.S.H.BOLT M5X18 WITH WR		1			
012	183A19-1	GRIP SET		1			
012		INC. 1					
013	266326-2	TAPPING SCREW 4X18		6			
014	699067-9	POWER SUPPLY CORD UNIT		1			
015	183L33-3	HOUSING SET		1	*		
C10	263005-3	RUBBER PIN 6		4	*		
C20	252126-6	HEX. LOCK NUT M4-7		3	*		
015		INC. 23			*		
015-1	183L33-3	HOUSING SET	O	1			
C10	263005-3	RUBBER PIN 6		4			
C20	252126-6	HEX. LOCK NUT M4-7		3			
015-1		INC. 23					
016	688163-8	LINE FILTER		1			
017	346248-3	CLAMP 24		1			
018	266326-2	TAPPING SCREW 4X18		1			
019	687260-7	STRAIN RELIEF		1			
020	266326-2	TAPPING SCREW 4X18		1			
021	620A36-5	CONTROLLER		1	*		
021-1	620G00-2	CONTROLLER	<	1	*		
021-2	620J84-8	CONTROLLER	S	1			
021-2 D	620J84-8	CONTROLLER		1			
022	644808-8	TERMINAL		2			
023	183L33-3	HOUSING SET		1	*		
C10	263005-3	RUBBER PIN 6		4	*		
C20	252126-6	HEX. LOCK NUT M4-7		3	*		
023		INC. 15			*		
023-1	183L33-3	HOUSING SET	O	1			
C10	263005-3	RUBBER PIN 6		4			
C20	252126-6	HEX. LOCK NUT M4-7		3			
023-1		INC. 15					
024	855V75-4	DUR368L NAME PLATE		1			
025	266326-2	TAPPING SCREW 4X18		7			

026	251314-2	+ TRUSS HEAD SCREW M4X12		1		
027	251314-2	+ TRUSS HEAD SCREW M4X12		2		
028	346858-6	BATTERY GUARD		1		
029	168478-4	HANGER		1		
030	922228-9	H.S.H.BOLT M5X18 WITH WR		1		
032	911233-1	PAN HEAD SCREW M5X20		3		
033	455626-7	TOP COVER		1		
034	210062-2	BALL BEARING 607ZZ		1	*	
034-1	210269-0	BALL BEARING 607ZZ	O	1		
034-1 D	210269-0	BALL BEARING 607ZZ		1		
035	529146-8	STATOR ASS'Y		1	*	
035		INC. 34,57			*	
035-1	520136-4	STATOR ASS'Y	<	1	*	
035-1		INC. 34,57			*	
035-2	520135-6	STATOR ASS'Y	O	1	*	
035-2		INC. 34,57			*	
035-3	592E25-3	STATOR ASS'Y	S	1		
035-3		INC. 34,57				
035-3 D	592E25-3	STATOR ASS'Y		1		
035-3 D		INC. 34,57				
036	619462-7	ROTOR		1		
037	911128-8	P.H.SCREW M4X16 WITH WR		2		
038	455628-3	INNER COVER		1		
039	620562-8	CONTROLLER B		1	*	
039-1	620E48-2	CONTROLLER B	O	1	*	
039-2	620J62-8	CONTROLLER B	S	1		
039-2 D	620J62-8	CONTROLLER B		1		
040	911128-8	P.H.SCREW M4X16 WITH WR		1		
041	687042-7	STRAIN RELIEF		1		
042	922223-9	H.S.H.BOLT M5X16 WITH WR		2		
043	922241-7	HEX. SOCKET HEAD BOLT M5X25		1		
044	143039-1	MOTOR HOUSING COMPLETE		1		
045	211131-2	BALL BEARING 6001DDW		1		
046	962106-1	RETAINING RING R-28		1		
047	346084-7	CLAMP WASHER		1		
048	140L84-9	RECEIVE WASHER COMPLETE G		1		
049	266579-3	HEX SOCKET HEAD BOLT M6X30		2		
051	346073-2	PROTECTOR CLAMP		1		
052	261156-6	POLYPROPYLENE WASHER 4		2		
053	455926-5	PROTECTOR		1		
054	346855-2	CUTTER		1		
055	266326-2	TAPPING SCREW 4X18		2		
056	140L89-9	PIPE COMPLETE O		1		
C10	819312-8	MAKITA LOGO LABEL		1		
C20	819N87-3	CAUTION LABEL		1		
057	213325-5	O RING 19		1		
058	168526-9	CUP		1		
059	264025-0	HEX. NUT M10-17		1		

072	266896-1	HEX. SOCKET HEAD BOLT M5X20		2		
073	346785-7	PROTECTOR CLAMP		1		
074	455815-4	PROTECTOR		1	*	
074-1	413886-7	PROTECTOR	O	1		
074-1 D	413886-7	PROTECTOR		1		
075	253428-3	SPRING WASHER 6		2		
076	413143-3	WASHER		2		
077	807E85-5	SOUND 92DB LABEL		1	*	
077-1	800A66-4	SOUND 91DB LABEL	<	1		
077-1 D	800A66-4	SOUND 91DB LABEL		1		
078	855V83-5	DUR368L SERIAL NO. LABEL		1		
079	451601-1	SPACER 24		1		
080	457269-1	PIPE HOLDER 24		1		
081	922244-1	H.S.H.BOLT M5X25 WITH WG		1		
082	424942-8	DAMPER		1		
083	347114-7	LOWER CLAMP 35		1		
084	347113-9	UPPER CLAMP 35		1		
085	457267-5	LOOP HANDLE		1		
086	922234-4	H.S.H.BOLT M5X20 WITH WG		2		
087	144315-6	BARRIER COMPLETE		1		
087		INC. 88				
088	911128-8	P.H.SCREW M4X16 WITH WR		1		
A01	125516-5	BAND ASSEMBLY		1		
A02	198893-8	CUTTER ASSEMBLY 95-M10L SET ME		1		
A02D	191D89-4	TRIMMER HEAD 96-M10L SET		1		
A02D		COMPO-PARTS				
A04	195150-5	CUTTER BLADE SET		1		
A05	456924-2	TOOL COVER		1		
A06	783202-0	HEX. WRENCH 4		1		
A07	831304-7	ACCESSORY BAG		1		
A08	783217-7	HEX. WRENCH 5		1		
A09	783013-3	BOX DRIVER 16-17		1		
A10	126642-3	PLASTIC BLADE ASSEMBLY255-M 10L		1		
A11B	***DC18RD	DC18RD TWO PORT FAST CHARG ER		1		
A11B		COMPO-PARTS				
A12B	197280-8	BATTERY BL1850B SET		2		
A15B	450128-8	BATTERY COVER		2		
B01	197294-7	PROTECTOR SET		1		
B01		INC. 47,48,52,58,59,72-74				
B01D	197294-7	PROTECTOR SET		1		
B01D		INC. 47,48,52,58,59,72-74				
F07	197472-9	NYLON CORD 2.0-15M SET		1		
F08	197473-7	NYLON CORD 2.0-30M SET		1		
F09	197474-5	NYLON CORD 2.0-160M SET		1		
F10	197475-3	NYLON CORD 2.0-280M SET		1		
F15	198502-9	NYLON CORD 2.4-30M SET		1		
F16	198503-7	NYLON CORD 2.4-120M SET		1		
F17	198504-5	NYLON CORD 2.4-180M SET		1		

F47	1915D8-4	TRIMMER HEAD 96-M10L SET		1			
F48	1914R8-6	TRIMMER HEAD ASSEMBLY 98-M 10L		1			

Please state Parts No. when your order.

Print Date 01/27/2025